

# Illustrated Parts Catalog

**1974  
thru  
1986**

# MODEL 182 & T182 SERIES



THIS CATALOG SUPERSEDES AND REPLACES ALL 182 & T182 SERIES PARTS CATALOGS DATED: 5 AUGUST 1983 AND INCORPORATES REVISION 1 DATED 15 MARCH 1985, REVISION 2 DATED 9 JANUARY 1986 AND TEMPORARY REVISION 1 DATED 3 APRIL 1995..

COPYRIGHT © 1996  
CESSNA AIRCRAFT COMPANY  
WICHITA, KANSAS, USA

P690-12-RGI-200-3/97

**1 MARCH 1996**

CESSNA AIRCRAFT COMPANY  
**MODEL 182 & T182**  
 ILLUSTRATED PARTS CATALOG

**LIST OF EFFECTIVE PAGES**

Dates of Issue for original and revised pages are:

Original . . . . . 0 . . . . 1 March 1996

TOTAL NUMBER OF PAGES IN THIS PUBLICATION IS 746 CONSISTING OF THE FOLLOWING:

Page No.	Revision No.	Page No.	Revision No.	Page No.	Revision No.	Page No.	Revision No.
Cover	0	253 blank	0				
A	0	254 thru 302	0				
i	0	303 blank	0				
ii	0	304 thru 366	0				
ii-a	0	367 blank	0				
ii-b	0	368 thru 380	0				
iii thru v	0	381 blank	0				
va	0	382 thru 434	0				
vb blank	0	435 blank	0				
vi thru x	0	436 thru 440	0				
xa thru xh	0	441 blank	0				
xi thru xliii	0	442 thru 456	0				
xliv blank	0	457 blank	0				
1 thru 8	0	458 thru 460	0				
9 blank	0	461 blank	0				
10 thru 32	0	462 thru 476	0				
33 blank	0	477 blank	0				
34 thru 46	0	478 thru 482	0				
47 blank	0	483 blank	0				
48 thru 62	0	484 thru 490	0				
63 blank	0	491 blank	0				
64 thru 70	0	492 thru 500	0				
71 blank	0	501 blank	0				
72 thru 76	0	502 thru 520	0				
77 blank	0	521 blank	0				
78 thru 94	0	522 thru 532	0				
95 blank	0	533 blank	0				
96 thru 100	0	534 thru 550	0				
101 blank	0	551 blank	0				
102 thru 106	0	552 thru 604	0				
107 blank	0	605 blank	0				
108 thru 154	0	606 thru 612	0				
155 blank	0	613 blank	0				
156 thru 185	0	614 thru 624	0				
186 blank	0	625 blank	0				
187 thru 211	0	626 thru 633	0				
212 blank	0	634 blank	0				
213 thru 218	0	635 thru 697	0				
219 blank	0	698 blank	0				
220 thru 222	0						
223 blank	0						
224 thru 237	0						
238 blank	0						
239 thru 247	0						
248 blank	0						
249 thru 252	0						

# 182 & T182 Parts Catalog

## INTRODUCTION.

The information in this publication is based on data available at the time of publication and is updated, supplemented, and automatically amended by all information issued in Service Newsletters, Service Bulletins, Supplier Service Notices, Publication Changes, Revisions, Reissues and Temporary Revisions. All such amendments become part of and are specifically incorporated within this publication. Users are urged to keep abreast of the latest amendments to this publication through information available at authorized Cessna Service Stations or through the Cessna Product Support subscription services. Cessna Service Stations have also been supplied with a group of supplier publications which provide disassembly, overhaul, and parts breakdowns for some of the various supplier issued revisions and service information which may be reissued by Cessna thereby automatically amending this publication and are communicated to the field through authorized Cessna's Service Stations and/or through Cessna's subscription services.

## WARNING:

**ALL INSPECTION INTERVALS, REPLACEMENT TIME LIMITS, OVERHAUL TIME LIMITS, THE METHOD OF INSPECTION, LIFE LIMITS, CYCLE LIMITS, ETC., RECOMMENDED BY CESSNA ARE SOLELY BASED ON THE USE OF NEW, REMANUFACTURED, OR OVERHAULED CESSNA APPROVED PARTS. IF PARTS ARE DESIGNED, MANUFACTURED, REMANUFACTURED, OVERHAULED, PURCHASED, AND/OR APPROVED BY ENTITIES OTHER THAN CESSNA, THEN THE DATA IN CESSNA'S MAINTENANCE/SERVICE MANUAL AND PARTS CATALOGS ARE NO LONGER APPLICABLE AND THE PURCHASER IS WARNED NOT TO RELY ON SUCH DATA FOR NON-CESSNA PARTS. ALL INSPECTION INTERVALS, REPLACEMENT TIME LIMITS, OVERHAUL TIME LIMITS, THE METHOD OF INSPECTION, LIFE LIMITS, CYCLE LIMITS, ETC., FOR SUCH NON-CESSNA PARTS MUST BE OBTAINED FROM THE MANUFACTURER AND/OR SELLER OF SUCH NON-CESSNA PARTS.**

Inspection, maintenance and parts requirements for STC installations are not included in this manual. When an STC installation is incorporated on the airplane, those portions of the airplane affected by the installation must be inspected in accordance

with the inspection program published by the owner of the STC. Since STC installations may change systems interface, operating characteristics and component loads or stresses on adjacent structures, Cessna provided inspection criteria may not be valid for airplanes with STC installations.

This illustrated parts catalog has been prepared to aid you in easily and quickly identifying parts of the models covered herein. The information in this catalog is based on data available at the time of publication.

This catalog features an index system consisting of:

1. An alphabetical index located in the front of the catalog.
2. A numerical index located in the back of the catalog, which lists all parts and figures in which they appear.

**AEROFICHE.** . . This catalog has been designed for Aerofiche presentation. To facilitate the use of the catalog for Aerofiche, fiche and frame numbers have been added to the alphabetical and numerical indexes. Frame numbers appear at the bottom center of each page. Refer to the header of the applicable fiche for location of various indexing information.

## STANDARD PARTS.

Many parts having standard usage have been incorporated into the Cessna Standard System. Parts in this group are designated with the part number prefix "S".

For standard hardware items such as Tinnerman nuts, clamps, etc. "AN" and "NAS" numbers have been used.

**USABLE ON CODES.** . . Serial listings in this catalog are noted by a letter code located in the usable on code column which is the extreme right hand column of the parts list page. Usable on codes are applicable only to the figure on which they appear. The code letters and the serials to which they apply are listed at the end of the figure.

If no usable on code appears opposite a first column listing of the figure, the usage is applicable to all models and serials covered by this catalog. If no usable on code appears opposite any indented listing, the usage is applicable to all models and serials covered by the figure on which it appears.

**Bold face type serials appearing on certain figures are for quick reference to large blocks of airplanes.**

# 182 & T182 Parts Catalog

Reims Aviation serial usage is listed together with the Cessna Aircraft Company serial usage immediately following the parts listing on each individual figure where applicable.

**NON-INTERCHANGEABLE PARTS.** . . . When parts are not interchangeable with earlier models, all parts applicable to the particular usage is listed in the usable on column opposite each part. Care should be exercised in determining proper serial when ordering to insure receipt of correct part.

**INTERCHANGEABLE PARTS.** . . . When a later design part is completely interchangeable with the part it replaces, both parts will be serialized and the notation "when exhausted use\_\_", or the abbreviation, "WEU\_\_" will be entered following the listing of the earlier design part. This means that the earlier design part should be used on airplanes to which they apply until the supply of these parts is exhausted--- after which time the later design part must be used. This is done to simplify stocking of parts by our distributors and authorized Cessna Service Stations. The earlier part is as good physically and functionally, as the later design part--- the difference being the later design part can be used on more than one block of airplane serials.

## SYMBOLS & PART NUMBER TERMS.

**NP** - The symbol "NP" appearing in the units per assembly column denotes that the item it appears opposite is not procurable.

**AR** - The symbol "AR" appearing in the units per assembly column denotes "As Required" and is used to indicate bulk quantity where an indefinite amount is used.

The following is a list of abbreviations that may appear in the description nomenclature:

ALT	Alternate Part	LH	Left Hand
ASSY	Assembly	M/G	Main Gear
BHD	Bulkhead	N/G	Nose Gear
BKI	Bulk item	PNL	Panel
COMP	Components	PRESS	Pressure
FSO	For spares order	RH	Right Hand
FWD	Forward	SECT	Section
IND	Indicator	UPR	Upper
INSTL	Installation	WEU	When Exhausted Use

Other key letter symbols spaced apart from and following the part nomenclature are for cataloging and manufacturing purposes only and are not to be considered by the customer.

A blank entry in the part number column appears before an unprocurable part or installation which is also denoted in the "Units Per Assembly" column by the use of the symbol "NP".

## GROUP ASSEMBLY PARTS LIST ARRANGEMENT.

This section lists all replaceable items in the airplane and these items are detailed on illustrations throughout the section. The index numbers on the illustration are keyed to each accompanying parts list. The purpose of the index numbers is to provide complete and positive identification of the article, but should not be used for procurement purposes.

- a. The figure and index number column of the parts list shows the figure number once at the beginning of the list. The figure number is followed by a dash and the indexed number. The remaining index numbers are preceded by dash only.
- b. The part number column identifies the item by part number.
- c. In the description column, relationship of items covered is shown by the degree of indentation of each item, for example: The wing assembly (Figure 3) is listed in column (1) of the description column. The wing structure, is the next lower assembly and is therefore listed in column (2).
- d. If two or more assemblies contain a majority of identical parts or the assemblies are left or right hand, the assemblies are listed together and the next lower assemblies or detail parts are listed as common for both assemblies, with the differing parts coded for usage on the correct major assembly.
- e. Attaching parts are listed immediately beneath the item to be attached and preceding any detail parts of the item. They are listed in the same column as the item they attach and are preceded by the caption "Attaching Parts". The end of the attaching parts listing is followed by a separating symbol ---\*---.
- f. The quantity listed in the "Units Per Assembly" column for attaching parts denotes the quantity necessary to attach only one part. Total quantity necessary to attach more than one part is obtained by multiplying the attaching parts quantity by the number of parts attached.

# 182 & T182 Parts Catalog

- g. Component parts of the complete airplane which are not included in any assembly, but which are used in conjunction with, or attach to certain assemblies, are listed wither preceding the first detail or following the last detail of the assembly or installation, and in the same column as the major assembly or installation.
- h. The quantities listed in the "Units Per Assembly" column are the quantity used per figure.

## ACCESSORY KITS.

For accessory kit listings, refer to separate Accessory Kit Catalog.

## BULK ITEMS.

Certain items such as flexible air hose, rubber moldings and channels, windshield sealing strips etc., are noted in the catalog listings as bulk items. These listings also note the cut length of these materials for one installation. When an items is listed as bulk item, it will be supplied to the authorized Cessna Service Station in the most convenient bulk length or quantity. Reference to the cut length or quantity per installation provides for the most satisfactory disbursement to the customer.

## HOW TO ORDER.

USE YOUR CATALOG TO ORDER PARTS. Use Parts and Accessories Order Form, which will be supplied by Cessna on request. Give complete information on addresses and make sure the part number and part name are as shown in the catalog. Be sure to specify quantities. Specify how the order is to be shipped, otherwise it will be sent out in the manner that seems best to the shipper.

## SERIAL, COLOR, & CORROSION PROOFING.

Be sure to indicate model and serial number of the airplane. Serial number is very important to properly identify parts used on each airplane. When color is involved refer to "Upholstery & Interior Trim" section for example. If corrosion proofing is desired add the letters "CO" following the part number.

## RETAIL ORDERS.

Retail orders will not be honored by the factory. They are to be placed with the authorized Cessna Service Station or distributor in the owner's territory and when received directly by the factory will be forwarded to the distributor from whose territory it was received. Considerable saving in time will

result to the owner if his orders are placed with a authorized Cessna Service Station or distributor.

## ADDITIONAL PUBLICATIONS.

In addition to the information in this Parts Catalog, a group of vendor publications is available from the Cessna Parts Distribution, which describe complete disassembly, overhaul and parts breakdown of some of the various vendor equipment items. A listing of these publications is issued periodically in the "Customer Care Supplies Catalog" which includes listings of Autopilots, Avionics Communications, and Navigation Equipment which are not covered in this manual. These publications are available from the Cessna Parts Distribution, Cessna Aircraft Company, 5800 East Pawnee, Box 1521, Wichita, Kansas 67218 USA.

Cessna Aircraft Company reserves the right to cancel, add or change the parts and assemblies described in the catalog without notice.

# 182 & T182 Parts Catalog

## IMPORTANT INFORMATION CONCERNING KEEPING CESSNA PUBLICATIONS CURRENT

This Publication is kept current in two ways:

**1. REVISIONS/CHANGES.**

Revisions/changes are issued for this publication as required and include only pages that require updating.

**2. REISSUE.**

A reissue is issued as required, and is a complete manual incorporating all the latest information and outstanding revisions/changes. It supersedes and replaces previous issue(s).

REVISIONS/CHANGES and REISSUES can be purchased from your authorized Cessna Service Station or directly from the Cessna Parts Distribution, Cessna Aircraft Company, 5800 East Pawnee, Box 1521, Wichita, Kansas 67201 USA. This catalog lists all publications and Customer Care Supplies available from Cessna for prior year models as well as new products.

### CUSTOMER COMMENTS ON MANUAL

Cessna Aircraft Company has endeavored to furnish you with an accurate, useful, up-to-date manual. This manual can be improved with your help. Please use the return cards, provided with your manual, to report any errors, discrepancies, and omissions in this manual as well as any general comments you wish to make.

# 182 & T182 Parts Catalog

“All aircraft, regardless of manufacturer, are certificated under model number designations. However, popular names are often used for marketing purposes. To provide a consistent method of referring to the various aircraft, model numbers will be used in this publication unless names are required to differentiate between versions of the same basic model. The following table provides a cross reference listing of popular name vs. model numbers.”

NAME	MODEL YEAR	MODEL	SERIALS	
			BEGINNING	ENDING
182 & SKYLANE 182, SKYLANE & SKYLANE II	1974 1975	182P 182P	18262466 18263476	18263475 18264295
SKYLANE & SKLANE II	1976 1977 1978 1979 1980 1981 1982 1983 1984 1985 1986	182P 182Q 182Q 182Q 182Q 182R 182R 182R 182R 182R 182R	18264296 18265176 18265966 18266591 18267301 18267716 18268056 18268294 18268369 18268435 18268542	18265175 18265965 18266590 18267300 18267715 18268055 18268293 18268368 18268434 18268541
TURBO SKYLANE & TURBO SKYLANE II	1981 1982 1983 1984 1985	182R 182R 182R 182R 182R	18267716 18268056 18268294 18268369 18268435	18268055 18268293 18268368 18268434 18268541
REIMS/CESSNA F182 SKYLANE & F182 SKYLANE II	1976 1977	F182P F182Q	F18200001 F18200026	F18200025 F18200064
F SKYLANE F SKYLANE II	1978 1979 1980	F182Q F182Q F182Q	F18200065 F18200095 F18200130	F18200094 F18200129 F18200169

# 182 & T182 Parts Catalog

## FINISH & TRIM PLATE

1974 THRU 1977

18262466 THRU 18265965

F18200001 THRU F18200064

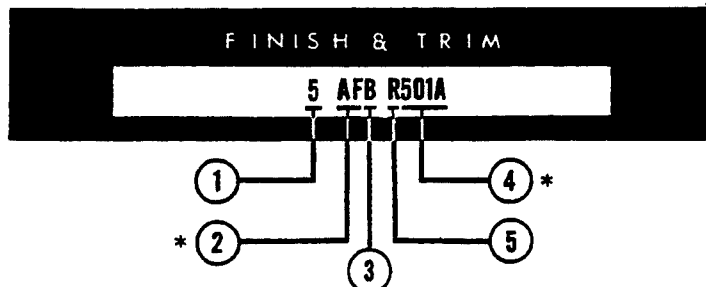
The "FINISH AND TRIM" plate is located on the left side of the airplane on the lower door jamb directly below the aircraft identification nameplate.

This plate indicates model year, interior color scheme and the exterior color combination.

Interpretation of information stamped on the Finish and Trim Plate is obtained by use of the Color Code Chart for the respective year.

Color Code Charts for yearly models appear on pages immediately following this page.

The Finish and Trim Plate is explained below. Explanatory remarks are keyed to the illustrated example.



- ① First column number indicates year.
- ② Second column letter or letters indicate interior color code of aircraft. Refer to Color Code Chart for respective year to obtain color.
- ③ The letter "B" following the interior code indicates optional black carpet.
- ④ Third column number or numbers indicate exterior trim. The basic number is found on the Color Code Chart and indicates colors and type paint used on the aircraft.
- ⑤ Standardized arctic color reversal is designated by the prefix "R" on the exterior color combination code.

\* The special exterior and/or interior is denoted by the letters "SP" in lieu of the standard codes.

Interpretation of the example Finish and Trim Code 5-AFB-R501A that is obtained from 1975 Color Code Chart is:

5 = 1975 model year  
AF = Chestnut Brown Interior Scheme  
B = Black carpet (optional)  
501A = Vestal White & Flag Red exterior  
R501A = Vestal White & Flag Red exterior (color reversal)



# 182 & T182 Parts Catalog

## FINISH & TRIM PLATE

1978 MODEL YEAR THRU 1980 MODEL YEAR

18265966 THRU 18267715

F1820065 THRU F18200169

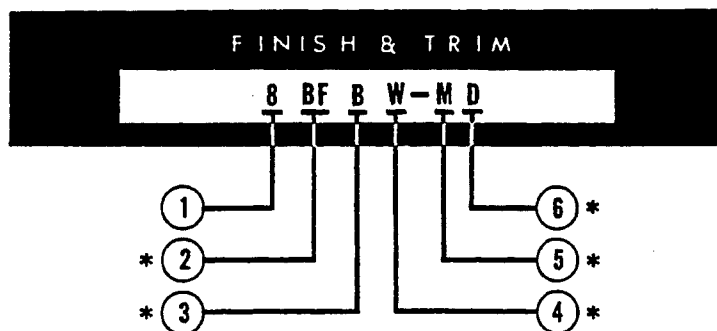
The "FINISH AND TRIM" plate is located on the left side of the airplane on the lower door jamb directly below the aircraft identification nameplate.

This plate indicates model year, interior color scheme and the exterior color combination.

Interpretation of information stamped on the Finish and Trim Plate is obtained by use of the Color Code Chart for the respective year.

Color Code Charts for yearly models appear on pages immediately following this page.

The Finish and Trim Plate is explained below. Explanatory remarks are keyed to the illustrated example.



- ① First column number indicates year.
- ② Second column letter or letters indicate interior color code of aircraft.
- ③ The letter B following the interior code indicates optional black carpet.
- ④ Fourth column letter or letters indicate overall exterior color.
- ⑤ First letter following hyphen indicates major stripe color.
- ⑥ Second letter following hyphen indicates accent color.

\* Special exterior and/or interior is denoted by the letters "SP" in lieu of the standard codes.

Interpretation of the example Finish & Trim code 8 BF B W - M D that is obtained from 1978 Color Code Chart is:

8 = 1978 model year  
BF = Dutch Blue interior scheme  
B = Optional Black Carpet  
W = Vestal White overall exterior paint  
M = Anciano Blue major stripe  
D = Fleet Blue accent stripe

# 182 & T182 Parts Catalog

## FINISH & TRIM PLATE

### 1981 MODEL YEAR & ON

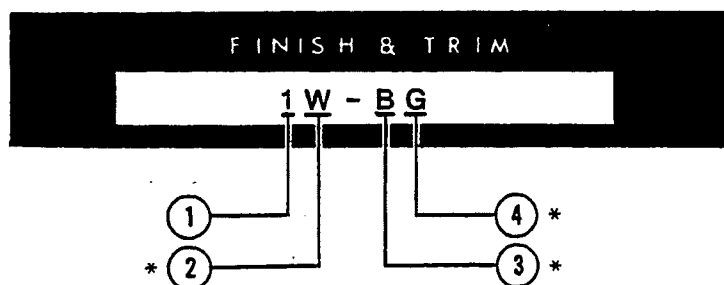
The "FINISH AND TRIM" plate is located on the left side of the airplane on the lower door jamb directly below the aircraft identification nameplate.

This plate indicates model year and the exterior color combination.

Interpretation of information stamped on the Finish and Trim Plate is obtained by use of the Color Code Chart for the respective year.

Color Code Charts for yearly models appear on pages immediately following this page.

The Finish and Trim Plate is explained below. Explanatory remarks are keyed to the illustrated example.



- ① Number indicates year.
- ② Letter or letters indicate overall exterior color.
- ③ First letter following hyphen indicates major stripe color.
- ④ Second letter following hyphen indicates accent color.

\* Special exteriors are denoted by the letters "SP" in lieu of the standard codes.

Interpretation of the example Finish & Trim code 1 W - B G that is obtained from 1981 Color Code Chart is:

1 = 1981 model year  
W = Vestal White overall exterior paint  
B = Flag Red major stripe  
G = Night Blue accent stripe

# 182 & T182 Parts Catalog

MODEL 182		PAINT CODE CHART				MODEL 182									
YEAR	INTERIOR COLOR		INTERIOR PAINT				SERIAL LISTING	EXTERIOR PAINT							
	CODE	COLOR	AF,AV&AL	BF & BV	CF & CV	DF & DV		CODE	COLOR COMBINATIONS						
1974	AF	Chestnut Brown Vinyl & Fabric	BLACK SEMI-GLOSS CES1054-156 LACQUER	BLACK SEMI-GLOSS CES1054-156 LACQUER	BLACK SEMI-GLOSS CES1054-156 LACQUER	BLACK SEMI-GLOSS CES1054-156 LACQUER	18262466 THRU 18263475	401		FLAG RED CES1054-A93					
	BF	Copen Blue Vinyl & Fabric	CLOUD GRAY CES1054-531 LACQUER	CLOUD GRAY CES1054-531 LACQUER	CLOUD GRAY CES1054-531 LACQUER	CLOUD GRAY CES1054-531 LACQUER		401A	VESTAL WHITE CES1054-802						
	CF	Olive Green Vinyl & Fabric	CLOUD GRAY CES1054-531 LACQUER	CLOUD GRAY CES1054-531 LACQUER	CLOUD GRAY CES1054-531 LACQUER	CLOUD GRAY CES1054-531 LACQUER		402		MAPLE MAROON CES1054-B44					
	DF	Sunset Red Vinyl & Fabric	DULL BLACK CES1054-193 LACQUER	DULL BLACK CES1054-193 LACQUER	DULL BLACK CES1054-193 LACQUER	DULL BLACK CES1054-193 LACQUER		402A	VESTAL WHITE CES1054-802						
	GF	Old Gold Vinyl & Fabric	CHESTNUT BROWN CES1054-B41 LACQUER	COPEN BLUE CES1054-B29 LACQUER	OLIVE GREEN CES1054-B33 LACQUER	SUNSET RED CES1054-B37 LACQUER		403		TIGER YELLOW CES1054-B66					
	AV	Chestnut Brown Vinyl	CLOUD GRAY CES1054-533 VINYL	CLOUD GRAY CES1054-533 VINYL	CLOUD GRAY CES1054-533 VINYL	CLOUD GRAY CES1054-533 VINYL		403A	VESTAL WHITE CES1054-802						
	BV	Copen Blue Vinyl	CLOUD GRAY CES1054-533 VINYL	CLOUD GRAY CES1054-533 VINYL	CLOUD GRAY CES1054-533 VINYL	CLOUD GRAY CES1054-533 VINYL		404		PEPPER GREEN CES1054-B50					
	CV	Olive Green Vinyl	<b>INTERIOR PAINT</b>						404A	VESTAL WHITE CES1054-802					
	DV	Sunset Red Vinyl	INTERIOR COLOR CODE						405		EMPRESS BLUE CES1054-B32				
	GV	Old Gold Vinyl	GF,GV&GL	EL	FL			405A	VESTAL WHITE CES1054-802						
	AL	Chestnut Brown Leather	BLACK SEMI-GLOSS CES1054-156 LACQUER	BLACK SEMI-GLOSS CES1054-156 LACQUER	BLACK SEMI-GLOSS CES1054-156 LACQUER			406		POLE BLUE CES1054-B47					
	EL	Cloud Gray Leather	CLOUD GRAY CES1054-531 LACQUER	CLOUD GRAY CES1054-531 LACQUER	CLOUD GRAY CES1054-531 LACQUER			406A	VESTAL WHITE CES1054-802						
	FL	Ebony Black Leather	DULL BLACK CES1054-193 LACQUER	DULL BLACK CES1054-193 LACQUER	DULL BLACK CES1054-193 LACQUER			413	VESTAL WHITE CES1054-802	FLAG RED CES1054-A93	MAPLE MAROON CES1054-B44				
	GL	Old Gold Leather	CLOUD GRAY CES1054-533 VINYL	CLOUD GRAY CES1054-533 VINYL	CLOUD GRAY CES1054-533 VINYL			418	VESTAL WHITE CES1054-802	SUMMER GOLD CES1054-B48	TIGER YELLOW CES1054-B66				
	B	Optional Black Carpet	OLD GOLD CES1054-B25 LACQUER		BLACK HI-GLOSS CES1054-151 LACQUER			419	VESTAL WHITE CES1054-802	EMPRESS BLUE CES1054-B32	POLE BLUE CES1054-B47				
			CLOUD GRAY CES1054-533 VINYL	CLOUD GRAY CES1054-533 VINYL	CLOUD GRAY CES1054-533 VINYL			430	VESTAL WHITE CES1054-802	FLAG RED CES1054-A93	VELVET BLACK CES1054-807				
						432	VESTAL WHITE CES1054-802	TIGER YELLOW CES1054-B66	VELVET BLACK CES1054-807						
						433	VESTAL WHITE CES1054-802	NUTMEG CES1054-A85	MAPLE MAROON CES1054-B44						
						434	VESTAL WHITE CES1054-802	PEPPER GREEN CES1054-B50	GROVE GREEN CES1054-B49						
						441	VESTAL WHITE CES1054-802	JAY GRAY CES1054-B46	VELVET BLACK CES1054-807						

NOTE: WHEN ORDERING PAINT SPECIFY CES-1054 DASH NUMBER. EXAMPLE: CES1054-802

# 182 & T182 Parts Catalog

MODEL 182		PAINT CODE CHART				MODEL 182							
YEAR	INTERIOR COLOR		INTERIOR PAINT				SERIAL LISTING	EXTERIOR PAINT					
	CODE	COLOR	AF,AV&AL	BF & BV	CF & CV	DF & DV		CODE	COLOR COMBINATIONS				
1 9 7 5	*	AF	Chestnut Brown Vinyl & Fabric	BLACK SEMI-GLOSS CES1054-156 LACQUER	BLACK SEMI-GLOSS CES1054-156 LACQUER	BLACK SEMI-GLOSS CES1054-156 LACQUER	BLACK SEMI-GLOSS CES1054-156 LACQUER	501		FLAG RED CES1054-A93			
		BF	Copen Blue Vinyl & Fabric	CLOUD GRAY CES1054-531 LACQUER	CLOUD GRAY CES1054-531 LACQUER	CLOUD GRAY CES1054-531 LACQUER	CLOUD GRAY CES1054-531 LACQUER	501A	VESTAL WHITE CES1054-802				
		*	CF	Olive Green Vinyl & Fabric	CLOUD GRAY CES1054-531 LACQUER	CLOUD GRAY CES1054-531 LACQUER	CLOUD GRAY CES1054-531 LACQUER	CLOUD GRAY CES1054-531 LACQUER	502		SUMMER GOLD CES1054-B48		
		*	DF	Sunset Red Vinyl & Fabric	DULL BLACK CES1054-193 LACQUER	DULL BLACK CES1054-193 LACQUER	DULL BLACK CES1054-193 LACQUER	DULL BLACK CES1054-193 LACQUER	502A	VESTAL WHITE CES1054-802			
		*	GF	Old Gold Vinyl & Fabric	DULL BLACK CES1054-193 LACQUER	DULL BLACK CES1054-193 LACQUER	DULL BLACK CES1054-193 LACQUER	DULL BLACK CES1054-193 LACQUER	503		TROPICAL ORANGE CES1054-774		
		*	AV	Chestnut Brown Vinyl	CHESTNUT BROWN CES1054-B41 LACQUER	COPEN BLUE CES1054-B29 LACQUER	OLIVE GREEN CES1054-B33 LACQUER	SUNSET RED CES1054-B37 LACQUER	503A	VESTAL WHITE CES1054-802			
		*	BV	Copen Blue Vinyl	CLOUD GRAY CES1054-533 VINYL	CLOUD GRAY CES1054-533 VINYL	CLOUD GRAY CES1054-533 VINYL	CLOUD GRAY CES1054-533 VINYL	504		EMPRESS BLUE CES1054-B32		
		*	CV	Olive Green Vinyl	<b>INTERIOR PAINT</b>				504A	VESTAL WHITE CES1054-802			
			DV	Sunset Red Vinyl	<b>INTERIOR COLOR CODE</b>				505		SATIN BLUE CES1054-B62		
			GV	Old Gold Vinyl	GF,GV&GL	EL	FL		505A	VESTAL WHITE CES1054-802		SPRING GREEN CES1054-B64	
			AL	Chestnut Brown Leather	BLACK SEMI-GLOSS CES1054-156 LACQUER	BLACK SEMI-GLOSS CES1054-156 LACQUER	BLACK SEMI-GLOSS CES1054-156 LACQUER		506				
			EL	Cloud Gray Leather	CLOUD GRAY CES1054-531 LACQUER	CLOUD GRAY CES1054-531 LACQUER	CLOUD GRAY CES1054-531 LACQUER		506A	VESTAL WHITE CES1054-802			
			FL	Ebony Black Leather	DULL BLACK CES1054-193 LACQUER	DULL BLACK CES1054-193 LACQUER	DULL BLACK CES1054-193 LACQUER		534	VESTAL WHITE CES1054-802	SUMMER GOLD CES1054-B48	SADDLE BROWN CES1054-B63	
			GL	Old Gold Leather	CLOUD GRAY CES1054-531 LACQUER	CLOUD GRAY CES1054-531 LACQUER	CLOUD GRAY CES1054-531 LACQUER		535	VESTAL WHITE CES1054-802	CARNIVAL YELLOW CES1054-A15	SUMMER GOLD CES1054-B48	
			B	Optional Black Carpet	DULL BLACK CES1054-193 LACQUER	DULL BLACK CES1054-193 LACQUER	DULL BLACK CES1054-193 LACQUER		537	VESTAL WHITE CES1054-802	EMPRESS BLUE CES1054-B32	VELVET BLACK CES1054-807	
				OLD GOLD CES1054-B25 LACQUER		BLACK HI-GLOSS CES1054-151 LACQUER		540	VESTAL WHITE CES1054-802	FLAG RED CES1054-A93	VELVET BLACK CES1054-807		
				CLOUD GRAY CES1054-533 VINYL	CLOUD GRAY CES1054-533 VINYL	CLOUD GRAY CES1054-533 VINYL		557	VESTAL WHITE CES1054-802	JAY GRAY CES1054-B46	VELVET BLACK CES1054-807		
								558	VESTAL WHITE CES1054-802	NUTMEG CES1054-A95	SATIN BLUE CES1054-B62		
								559	VESTAL WHITE CES1054-802	TROPICAL ORANGE CES1054-774	SATIN BLUE CES1054-B62		
								560	VESTAL WHITE CES1054-802	SPRING GREEN CES1054-B64	SADDLE BROWN CES1054-B63		

NOTE: WHEN ORDERING PAINT SPECIFY CES-1054 DASH NUMBER. EXAMPLE: CES1054-802

\* NOTE: INTERIOR COLOR & PAINT CODES,  
 AFD SAME AS AF EXCEPT SEATS ARE SUNSET RED  
 CFG SAME AS CF EXCEPT SEATS ARE OLD GOLD  
 DFA SAME AS DF EXCEPT SEATS ARE CHESTNUT BROWN  
 GFC SAME AS GF EXCEPT SEATS ARE OLIVE GREEN

# 182 & T182 Parts Catalog

SKYLANE & SKYLANE II		PAINT CODE CHART				SKYLANE & SKYLANE II							
YEAR	INTERIOR COLOR		INTERIOR PAINT				SERIAL LISTING	EXTERIOR PAINT					
	CODE	CODE	INTERIOR COLOR CODE					CODE	COLOR COMBINATIONS				
		COLOR	AF,AV&AL	BF & BV	CF & CV	DF,DV&DL							
1 9 7 6	6	AF Chestnut Brown Vinyl & Fabric	BLACK SEMI-GLOSS CES1054-156 LACQUER	BLACK SEMI-GLOSS CES1054-156 LACQUER	BLACK SEMI-GLOSS CES1054-156 LACQUER	BLACK SEMI-GLOSS CES1054-156 LACQUER	18264296 THRU 18265175  F18200001 THRU F18200025	620 .	VESTAL WHITE CES1054-802(ACRYLIC) CES1054-398(LACQUER)	LATIGO CES1054-B88(ACRYLIC) CES1054-B92(LACQUER)	COOPER BROWN CES1054-B45(ACRYLIC) CES1054-B99(LACQUER)		
		BF Sapphire Blue Vinyl & Fabric	CLOUD GRAY CES1054-531 LACQUER	CLOUD GRAY CES1054-531 LACQUER	CLOUD GRAY CES1054-531 LACQUER	CLOUD GRAY CES1054-531 LACQUER		637 .	VESTAL WHITE CES1054-802(ACRYLIC) CES1054-398(LACQUER)	SATIN BLUE CES1054-B82(ACRYLIC) CES1054-B68(LACQUER)	SERENA BLUE CES1054-A98(ACRYLIC) CES1054-B16(LACQUER)		
		CF Oro Green Vinyl & Fabric	DULL BLACK CES1054-193 LACQUER	DULL BLACK CES1054-193 LACQUER	DULL BLACK CES1054-193 LACQUER	DULL BLACK CES1054-193 LACQUER		638 .	VESTAL WHITE CES1054-802(ACRYLIC) CES1054-398(LACQUER)	SATIN BLUE CES1054-B82(ACRYLIC) CES1054-B68(LACQUER)	FLAG RED CES1054-A93(ACRYLIC) CES1054-B03(LACQUER)		
		DF Ruby Red Vinyl & Fabric	CHESTNUT BROWN CES1054-B41 LACQUER	SAPPHIRE BLUE CES1054-B73 LACQUER	ORO GREEN CES1054-B77 LACQUER	RUBY RED CES1054-B81 LACQUER		639 .	VESTAL WHITE CES1054-802(ACRYLIC) CES1054-398(LACQUER)	ITALIAN GOLD CES1054-B34(ACRYLIC) CES1054-265(LACQUER)	CARNIVAL YELLOW CES1054-A15(ACRYLIC) CES1054-A34(LACQUER)		
		GF Topaz Gold Vinyl & Fabric	CLOUD GRAY CES1054-533 VINYL	CLOUD GRAY CES1054-533 VINYL	CLOUD GRAY CES1054-533 VINYL	CLOUD GRAY CES1054-533 VINYL		640 .	VESTAL WHITE CES1054-802(ACRYLIC) CES1054-398(LACQUER)	SPANISH BRONZE CES1054-B90(ACRYLIC) CES1054-B94(LACQUER)	LATIGO CES1054-B88(ACRYLIC) CES1054-B92(LACQUER)		
		AV Chestnut Brown Vinyl	<b>INTERIOR PAINT</b>						642 .	VESTAL WHITE CES1054-802(ACRYLIC) CES1054-398(LACQUER)	GRANADA GREEN CES1054-A97(ACRYLIC) CES1054-B04(LACQUER)	CAMBIA GREEN CES1054-B86(ACRYLIC) CES1054-B93(LACQUER)	
		BV Sapphire Blue Vinyl	INTERIOR COLOR CODE						647 .	VESTAL WHITE CES1054-802(ACRYLIC) CES1054-398(LACQUER)	CAMBIA GREEN CES1054-B89(ACRYLIC) CES1054-B93(LACQUER)	GRANADA GREEN CES1054-A97(ACRYLIC) CES1054-B04(LACQUER)	
		CV Oro Green Vinyl	GF & GV	EL	FL			648 .	VESTAL WHITE CES1054-802(ACRYLIC) CES1054-398(LACQUER)	FLAG RED CES1054-A93(ACRYLIC) CES1054-B03(LACQUER)	ROYAL MAROON CES1054-B01(ACRYLIC) CES1054-B95(LACQUER)		
		DV Ruby Red Vinyl	BLACK SEMI-GLOSS CES1054-156 LACQUER	BLACK SEMI-GLOSS CES1054-156 LACQUER	BLACK SEMI-GLOSS CES1054-156 LACQUER			*NOTE - LACQUER PAINT USED ON FRENCH MODELS					
		GV Topaz Gold Vinyl	CLOUD GRAY CES1054-531 LACQUER	CLOUD GRAY CES1054-531 LACQUER	CLOUD GRAY CES1054-531 LACQUER								
		AL Chestnut Brown Leather	DULL BLACK CES1054-193 LACQUER	DULL BLACK CES1054-193 LACQUER	DULL BLACK CES1054-193 LACQUER								
		EL Cloud Gray Leather	TOPAZ GOLD CES1054-B85 LACQUER		BLACK HI-GLOSS CES1054-151 LACQUER								
		FL Ebony Black Leather	CLOUD GRAY CES1054-533 VINYL	CLOUD GRAY CES1054-533 VINYL	CLOUD GRAY CES1054-533 VINYL								
		DL Ruby Red Leather											
B Optional Black Carpet													

NOTE: WHEN ORDERING PAINT SPECIFY CES-1054 DASH NUMBER. EXAMPLE: CES1054-802

# 182 & T182 Parts Catalog

SKYLANE & SKYLANE II		PAINT CODE CHART				SKYLANE & SKYLANE II						
YEAR	INTERIOR COLOR		INTERIOR PAINT				SERIAL LISTING	EXTERIOR PAINT				
	CODE	CODE	AF,AV&AL	BF&BV	CF&CV	DF,DV&DL		CODE	COLOR COMBINATIONS			
1 9 7 7	AF	Chestnut Brown Fabric & Vinyl	BLACK SEMI-GLOSS CES1054-156 (LACQUER)	BLACK SEMI-GLOSS CES1054-156 (LACQUER)	BLACK SEMI-GLOSS CES1054-156 (LACQUER)	BLACK SEMI-GLOSS CES1054-156 (LACQUER)	18265176 THRU 18265965  F18200026 THRU F18200064	713 *	VESTAL WHITE CES1054-802 (ACRYLIC) CES1054-398 (LACQUER)	SATIN BLUE CES1054-B66 (ACRYLIC) CES1054-B66 (LACQUER)	FLAG RED CES1054-A93A (ACRYLIC) CES1054-B03 (LACQUER)	
	BF	Sapphire Blue Fabric & Vinyl						714 *	VESTAL WHITE CES1054-802 (ACRYLIC) CES1054-398 (LACQUER)	SATIN BLUE CES1054-B66 (ACRYLIC) CES1054-B66 (LACQUER)	SERENA BLUE CES1054-A96A (ACRYLIC) CES1054-B16 (LACQUER)	
	CF	Oro Green Fabric & Vinyl	DULL BLACK CES1054-193 (LACQUER)	DULL BLACK CES1054-193 (LACQUER)	DULL BLACK CES1054-193 (LACQUER)	DULL BLACK CES1054-193 (LACQUER)		715 *	VESTAL WHITE CES1054-802 (ACRYLIC) CES1054-398 (LACQUER)	SPANISH BRONZE CES1054-B90 (ACRYLIC) CES1054-B94 (LACQUER)	SERENA BLUE CES1054-A96A (ACRYLIC) CES1054-B16 (LACQUER)	
	DF	Ruby Red Fabric & Vinyl	CLOUD GRAY CES1054-533 (VINYL)	CLOUD GRAY CES1054-533 (VINYL)	CLOUD GRAY CES1054-533 (VINYL)	CLOUD GRAY CES1054-533 (VINYL)		719 *	VESTAL WHITE CES1054-802 (ACRYLIC) CES1054-398 (LACQUER)	SPANISH BRONZE CES1054-B90 (ACRYLIC) CES1054-B94 (LACQUER)	TROPICAL ORANGE CES1054-T74 (ACRYLIC) CES1054-B49 (LACQUER)	
	GF	Topaz Gold Fabric & Vinyl						720 *	VESTAL WHITE CES1054-802 (ACRYLIC) CES1054-398 (LACQUER)	ROYAL MAROON CES1054-B91 (ACRYLIC) CES1054-B93 (LACQUER)	FLAG RED CES1054-A93A (ACRYLIC) CES1054-B03 (LACQUER)	
	HF	Hunter Red Fabric & Vinyl	CHESTNUT BROWN CES1054-B41 (LACQUER)	SAPPHIRE BLUE CES1054-B73 (LACQUER)	ORO GREEN CES1054-B77 (LACQUER)	RUBY RED CES1054-B81 (LACQUER)		722 *	VESTAL WHITE CES1054-802 (ACRYLIC) CES1054-398 (LACQUER)	OAKWOOD BROWN CES1054-C08 (ACRYLIC) CES1054-C10 (LACQUER)	CARNIVAL YELLOW CES1054-A15A (ACRYLIC) CES1054-A34 (LACQUER)	
	AV	Chestnut Brown Vinyl	CHESTNUT BROWN CES1054-B42 (VINYL)	SAPPHIRE BLUE CES1054-B74 (VINYL)	ORO GREEN CES1054-B78 (VINYL)	RUBY RED CES1054-B82 (VINYL)		723 *	VESTAL WHITE CES1054-802 (ACRYLIC) CES1054-398 (LACQUER)	CHARRO BROWN CES1054-C07 (ACRYLIC) CES1054-C08 (LACQUER)	LA TIGO CES1054-B88 (ACRYLIC) CES1054-B92 (LACQUER)	
	BV	Sapphire Blue Vinyl						724 *	VESTAL WHITE CES1054-802 (ACRYLIC) CES1054-398 (LACQUER)	GRAHADA GREEN CES1054-A97 (ACRYLIC) CES1054-B04 (LACQUER)	CAMBIA GREEN CES1054-B99A (ACRYLIC) CES1054-B93 (LACQUER)	
	CV	Oro Green Vinyl	<b>INTERIOR PAINT</b>									
	DV	Ruby Red Vinyl	<b>INTERIOR COLOR CODE</b>									
	EV	Cloud Gray Vinyl	<b>EV&amp;EL</b>	<b>GF&amp;GL</b>	<b>HF&amp;HV</b>	<b>FL</b>						
	GV	Topaz Gold Vinyl	BLACK SEMI-GLOSS CES1054-156 (LACQUER)	BLACK SEMI-GLOSS CES1054-156 (LACQUER)	BLACK SEMI-GLOSS CES1054-156 (LACQUER)	BLACK SEMI-GLOSS CES1054-156 (LACQUER)						
	HV	Hunter Red Vinyl	DULL BLACK CES1054-193 (LACQUER)	DULL BLACK CES1054-193 (LACQUER)	DULL BLACK CES1054-193 (LACQUER)	DULL BLACK CES1054-193 (LACQUER)						
	AL	Chestnut Brown Leather	CLOUD GRAY CES1054-533 (VINYL)	CLOUD GRAY CES1054-533 (VINYL)	CLOUD GRAY CES1054-533 (VINYL)	CLOUD GRAY CES1054-533 (VINYL)						
	DL	Ruby Red Leather	CLOUD GRAY CES1054-531 (LACQUER)	TOPAZ GOLD CES1054-B85 (LACQUER)	POPPY RED CES1054-A85 (LACQUER)	BLACK HI-GLOSS CES1054-151 (LACQUER)						
	EL	Cloud Gray Leather		TOPAZ GOLD CES1054-B85 (VINYL)	POPPY RED CES1054-A86 (VINYL)	VELVET BLACK CES1054-480 (VINYL)						
	FL	Ebony Black Leather										
* NOTE - LACQUER PAINT USED ON FRENCH MODELS												

NOTE: WHEN ORDERING PAINT SPECIFY CES-1054 DASH NUMBER. EXAMPLE: CES1054-802

# 182 & T182 Parts Catalog

18265966 THRU 18266590

## 1978 PAINT CODE CHART

F1820065 THRU F1820094

INTERIOR COLOR & PAINT				EXTERIOR PAINT		
CODE	COLOR	LACQUER	VINYL	CODE	MODIFIED URETHANE	
AF	CHESTNUT VINYL & FABRIC	CHESTNUT BROWN CES1054-B41	CHESTNUT BROWN CES1054-B42	W	VESTAL WHITE CES1054-C53	
BF	DUTCH BLUE VINYL & FABRIC	DUTCH BLUE CES1054-C22	DUTCH BLUE CES1054-C23	B	FLAG RED CES1054-C43	
CF	COLONIAL GREY VINYL & FABRIC	COLONIAL GREY CES1054-C26	COLONIAL GREY CES1054-C27	C	SATIN BLUE CES1054-C44	
GF	MAIZE VINYL & FABRIC	MAIZE CES1054-C34	MAIZE CES1054-C35	D	FLEET BLUE CES1054-C45	
HF	HUNTER RED VINYL & FABRIC	HUNTER RED CES1054-A85	HUNTER RED CES1054-A86	E	VILLA GREEN CES1054-C46	
AV	CHESTNUT VINYL	CHESTNUT BROWN CES1054-B41	CHESTNUT BROWN CES1054-B42	F	PECAN BROWN CES1054-C47	
BV	DUTCH BLUE VINYL	DUTCH BLUE CES1054-C22	DUTCH BLUE CES1054-C23	G	AVANT ORANGE CES1054-C48	
CV	COLONIAL GREY VINYL	COLONIAL GREY CES1054-C26	COLONIAL GREY CES1054-C27	H	SPRINGBOCK CES1054-C49	
EV	CLOUD GREY VINYL	CLOUD GREY CES1054-531	CLOUD GREY CES1054-533	J	JAGUAR YELLOW CES1054-C50	
GV	MAIZE VINYL	MAIZE CES1054-C34	MAIZE CES1054-C35	K	CARNIVAL YELLOW CES1054-C54	
HV	HUNTER RED VINYL	HUNTER RED CES1054-A85	HUNTER RED CES1054-A86	M	ANCIANO BLUE CES1054-C51	
AL	CHESTNUT LEATHER	CHESTNUT BROWN CES1054-B41	CHESTNUT BROWN CES1054-B42	N	VELVET BLACK CES1054-C52	
EL	CLOUD GREY LEATHER	CLOUD GREY CES1054-531	CLOUD GREY CES1054-533			
FL	EBONY BLACK LEATHER	BLACK HI-GLOSS CES1054-151	FLAT BLACK CES1054-480			
HL	HUNTER RED LEATHER	HUNTER RED CES1054-A85	HUNTER RED CES1054-A86			
JFL	HUNTER RED FABRIC & LEATHER	HUNTER RED CES1054-A85	HUNTER RED CES1054-A86			
KFL	BEIGE FABRIC & LEATHER	COLONIAL GREY CES1054-C26	COLONIAL GREY CES1054-C27			
LFL	GOLD FABRIC & LEATHER	CHESTNUT BROWN CES1054-B41	CHESTNUT BROWN CES1054-B42			
MFL	GREEN FABRIC & LEATHER	ORO GREEN CES1054-B77	ORO GREEN CES1054-B78			
<b>INTERIOR PAINT COMMON TO ALL INTERIORS</b>						
BLACK SEMI-GLOSS (LACQUER) CES1054-156		DULL BLACK (LACQUER) CES1054-193				
CLOUD GREY (LACQUER) CES1054-531		CLOUD GREY (VINYL) CES1054-533				
NOTE: WHEN ORDERING PAINT SPECIFY CES1054 PART NUMBER. EXAMPLE: CES1054-531						

# 182 & T182 Parts Catalog

## 1979 PAINT CODE CHART

18266591 THRU 18267300

F18200095 THRU F18200129

INTERIOR COLOR & PAINT				EXTERIOR PAINT		
CODE	COLOR	LACQUER	VINYL	CODE	MODIFIED URETHANE	*MODIFIED URETHANE
AF AFC AFCC	TAN VINYL & FABRIC	TAN CES1054-D19	TAN CES1054-D20	W	VESTAL WHITE CES1054-C53	VESTAL WHITE CES1054-D16
BF BFC BFCC	BLUE VINYL & FABRIC	DUTCH BLUE CES1054-C22	DUTCH BLUE CES1054-C23	B	FLAG RED CES1054-C43	FLAG RED CES1054-D14
CF CFC CDFC CAFCC CBFC CHFC CGFC	BEIGE VINYL & FABRIC	BEIGE CES1054-D31	BEIGE CES1054-D32	C	CARDINAL RED CES1054-C89	CARDINAL RED CES1054-D02
DF DFC DFCC	RUST VINYL & FABRIC	TERRA COTTA RED CES1054-C84	TERRA COTTA RED CES1054-C83	D	BURNT ORANGE CES1054-C90	BURNT ORANGE CES1054-D03
GF GFC GFCC	GREEN VINYL & FABRIC	GREEN CES1054-D23	GREEN CES1054-D24	E	BUTTERSCOTCH CES1054-C91	BUTTERSCOTCH CES1054-D04
HF HFC HFCC	RED VINYL & FABRIC	POPPY RED CES1054-A85	POPPY RED CES1054-A86	F	DARK YELLOW CES1054-C92	DARK YELLOW CES1054-D05
AL	CHESTNUT LEATHER	TAN CES1054-D19	TAN CES1054-D20	G	DARK BLUE CES1054-C93	DARK BLUE CES1054-D06
BL	BLUE LEATHER	DUTCH BLUE CES1054-C22	DUTCH BLUE CES1054-C23	H	MEDIUM BLUE CES1054-C94	MEDIUM BLUE CES1054-D07
CL	BEIGE LEATHER	BEIGE CES1054-D31	BEIGE CES1054-D32	J	TAN CES1054-C95	TAN CES1054-D08
DL	RUST LEATHER	TERRA COTTA RED CES1054-C84	TERRA COTTA RED CES1054-C83	K	BROWN CES1054-C96	BROWN CES1054-D09
EL	CLOUD GRAY LEATHER	CLOUD GRAY CES1054-531	CLOUD GRAY CES1054-533	M	PARROT GREEN CES1054-C97	PARROT GREEN CES1054-D10
FL	EBONY BLACK LEATHER	BLACK SEMI-GLOSS CES1054-156	BLACK SEMI-GLOSS CES1054-752	N	DARK GREEN CES1054-C98	DARK GREEN CES1054-D11
GL	GREEN LEATHER	GREEN CES1054-D23	GREEN CES1054-D24	Q	BLUE GREEN CES1054-C99	BLUE GREEN CES1054-D12
HL	RED LEATHER	POPPY RED CES1054-A85	POPPY RED CES1054-A86	R	BLACK CES1054-C52	BLACK CES1054-D15
AFL AFLC	GOLD FABRIC & LEATHER	TAN CES1054-D19	TAN CES1054-D20			
BFL BFLC	BLUE FABRIC & LEATHER	DUTCH BLUE CES1054-C22	DUTCH BLUE CES1054-C23			
CFL CAFL CBFL CHFL CGFL CDFL	BEIGE FABRIC & LEATHER	BEIGE CES1054-D31	BEIGE CES1054-C32			
DFL DFLC	RUST FABRIC & LEATHER	TERRA COTTA RED CES1054-C84	TERRA COTTA RED CES1054-C83			
GFL GFLC	GREEN FABRIC & LEATHER	GREEN CES1054-D23	GREEN CES1054-D24			
HFL HFLC	RED FABRIC & LEATHER	POPPY RED CES1054-A85	POPPY RED CES1054-A86			
<b>INTERIOR PAINT COMMON TO ALL INTERIORS</b>				<b>NOTE: WHEN ORDERING PAINT SPECIFY CES1054 PART NUMBER. EXAMPLE: CES1054-531</b>  *USED ON FRENCH AIRCRAFT ONLY.		
BLACK SEMI-GLOSS (LACQUER) CES1054-156		DULL BLACK (LACQUER) CES1054-193				
CLOUD GREY (LACQUER) CES1054-531		CLOUD GREY (VINYL) CES1054-533				



# 182 & T182 Parts Catalog

## 1980 PAINT CODE CHART

18267301 THRU 18267715

F18200130 THRU F18200169

INTERIOR COLOR & PAINT				EXTERIOR PAINT		
CODE	COLOR	LACQUER	VINYL	CODE	MODIFIED URETHANE	*MODIFIED URETHANE
AF AL AFL AFC AFLC AFCC	TAN	CHESTNUT BROWN CES1054-B41	CHESTNUT BROWN CES1054-B41	W	VESTAL WHITE CES1054-C53	VESTAL WHITE CES1054-D16
BF BL BFL BFC BFLC BFCC	BLUE	DUTCH BLUE CES1054-C22	DUTCH BLUE CES1054-C23	B	FLAG RED CES1054-C43	FLAG RED CES1054-D02
CF CL CFL CFC CAFL CBFL CDFL CGFL CHFL CAFC CBFC CDFC CGFC CHFC	BEIGE	BEIGE CES1054-D31	BEIGE CES1054-D32	C	MAROON CES1054-D47	MAROON CES1054-D54
DF DL DFL DFC DFLC DFCC	RUST	TERRA COTTA RED CES1054-C84	TERRA COTTA RED CES1054-C83	D	CENTURY ORANGE CES1054-D48	CENTURY ORANGE CES1054-D55
EL	CLOUD GRAY	CLOUD GRAY CES1054-531	CLOUD GRAY CES1054-533	E	BUTTERSCOTCH CES1054-C91	BUTTERSCOTCH CES1054-D04
FL	EBONY BLACK	BLACK HI-GLOSS CES1054-151	VELVET BLACK CES1054-480	F	BENGAL YELLOW CES1054-D49	BENGAL YELLOW CES1054-D56
GF GF GFL GFC GFLC GFCC	GREEN	GREEN CES1054-D23	GREEN CES1054-D24	G	NIGHT BLUE CES1054-C93	NIGHT BLUE CES1054-D60
HF HL HFL HFC HFLC HFCC	RED	POPPY RED CES1054-A85	POPPY RED CES1054-A86	H	LIGHT BLUE CES1054-D50	LIGHT BLUE CES1054-D57
				J	HUNTER TAN CES1054-C95	HUNTER TAN CES1054-C95
				K	TOFFEE BROWN CES1054-C96	TOFFEE BROWN CES1054-D09
				M	LOMBARDY GREEN CES1054-D51	LOMBARDY GREEN CES1054-D58
				N	SHADE GREEN CES1054-C98	SHADE GREEN CES1054-D11
				Q	BLUE GREEN CES1054-C99	BLUE GREEN CES1054-D12
				R	VELVET BLACK CES1054-C52	VELVET BLACK CES1054-D15
				T	ULTRA PURPLE CES1054-D52	ULTRA-PURPLE CES1054-D59
				U	ADOBE BEIGE CES1054-D53	ADOBE BEIGE CES1054-D60
<b>INTERIOR PAINT COMMON TO ALL INTERIORS</b>				<p><b>NOTE: WHEN ORDERING PAINT SPECIFY CES1054 PART NUMBER. EXAMPLE: CES1054-531</b></p> <p><b>*. USED ON FRENCH AIRCRAFT ONLY.</b></p>		
BLACK SEMI-GLOSS (LACQUER) CES1054-156		DULL BLACK (LACQUER) CES1054-193				
CLOUD GREY (LACQUER) CES1054-531		CLOUD GREY (VINYL) CES1054-533				

# 182 & T182 Parts Catalog

## 1981 PAINT CODE CHART

18267716 THRU 18268055

18267716 THRU 18268055

INTERIOR COLOR & PAINT			EXTERIOR PAINT		
COLOR	LACQUER	VINYL	CODE	MODIFIED URETHANE	*MODIFIED URETHANE
<b>GOLD</b>	CHESTNUT BROWN CES1054-B41	CHESTNUT BROWN CES1054-B42	<b>W</b>	VESTAL WHITE CES1054-C53	VESTAL WHITE CES1054-D16
<b>BEIGE</b>	BEIGE CES1054-D31	BEIGE CES1054-D32	<b>B</b>	FLAG RED CES1054-C43	FLAG RED CES1054-D14
<b>BROWN</b>	DARK BROWN CES1054-D85	DARK BROWN CES1054-D86	<b>C</b>	MAROON CES1054-D47	MAROON CES1054-D54
<b>RED</b>	HUNTER RED CES1054-A85	HUNTER RED CES1054-A86	<b>D</b>	MIDNIGHT RED CES1054-D71	MIDNIGHT RED CES1054-D78
<b>BLUE</b>	DUTCH BLUE CES1054-C22	DUTCH BLUE CES1054-C23	<b>E</b>	SIGNAL ORANGE CES1054-D72	SIGNAL ORANGE CES1054-D79
<b>CLOUD GREY</b>	CLOUD GREY CES1054-531	CLOUD GREY CES1054-533	<b>F</b>	DARK YELLOW CES1054-C92	DARK YELLOW CES1054-D05
<b>BLACK</b>	BLACK SEMI-GLOSS CES1054-156	BLACK SEMI-GLOSS CES1054-752	<b>G</b>	NIGHT BLUE CES1054-C93	NIGHT BLUE CES1054-D06
			<b>H</b>	MEDIUM BLUE CES1054-C94	MEDIUM BLUE CES1054-D07
			<b>J</b>	BERBER TAN CES1054-D73	BERBER TAN CES1054-D80
			<b>K</b>	COPPER BROWN CES1054-D74	COPPER BROWN CES1054-D81
			<b>M</b>	AVENUE BROWN CES1054-D75	AVENUE BROWN CES1054-D82
			<b>N</b>	SHADE GREEN CES1054-C98	SHADE GREEN CES1054-D11
			<b>Q</b>	FIELD GREEN CES1054-D76	FIELD GREEN CES1054-D83
			<b>R</b>	VELVET BLACK CES1054-C52	VELVET BLACK CES1054-D15
			<b>T</b>	JAY GREY CES1054-D77	JAY GREY CES1054-D84
			<b>U</b>	ADOBE BEIGE CES1054-D53	ADOBE BEIGE CES1054-D60
<b>INTERIOR PAINT COMMON TO ALL INTERIORS</b>			<p><b>NOTE: WHEN ORDERING PAINT SPECIFY CES1054 PART NUMBER. EXAMPLE: CES1054-531</b></p> <p><b>* USED ON FRENCH AIRCRAFT ONLY.</b></p>		
BLACK SEMI-GLOSS (LACQUER) CES1054-156		DULL BLACK (LACQUER) CES1054-193			
CLOUD GREY (LACQUER) CES1054-531		CLOUD GREY (VINYL) CES1054-533			

182 & T182 Parts Catalog

**1982 PAINT CODE CHART**

18268056 THRU 18268293

18268056 THRU 18268293

INTERIOR COLOR & PAINT			EXTERIOR PAINT		
COLOR	LACQUER	VINYL	CODE	MODIFIED URETHANE	
<b>GOLD</b>	CHESTNUT BROWN CES1054-B41	CHESTNUT BROWN CES1054-B42	<b>W</b>	VESTAL WHITE CES1054-C53	
<b>BEIGE</b>	BEIGE CES1054-D31	BEIGE CES1054-D32	<b>A</b>	CHOCOLATE BROWN CES1054-D90	
<b>BROWN</b>	DARK BROWN CES1054-D85	DARK BROWN CES1054-D86	<b>B</b>	FLAG RED CES1054-C43	
<b>RED</b>	HUNTER RED CES1054-A85	HUNTER RED CES1054-A86	<b>C</b>	MAROON CES1054-D47	
<b>BLUE</b>	DUTCH BLUE CES1054-C22	DUTCH BLUE CES1054-C23	<b>D</b>	MIDNIGHT RED CES1054-D71	
<b>CLOUD GREY</b>	CLOUD GREY CES1054-531	CLOUD GREY CES1054-533	<b>E</b>	SIGNAL ORANGE CES1054-D72	
<b>BLACK</b>	BLACK SEMI-GLOSS CES1054-156	BLACK SEMI-GLOSS CES1054-752	<b>F</b>	SUNBURST YELLOW CES1054-D89	
			<b>G</b>	MOCA BROWN CES1054-D91	
			<b>H</b>	DESERT GOLD CES1054-D92	
			<b>J</b>	ARTIC BLUE CES1054-D93	
			<b>K</b>	COPPER BROWN CES1054-D74	
			<b>M</b>	OLYMPIC BLUE CES1054-D94	
			<b>N</b>	BRIGHT BLUE CES1054-D95	
			<b>Q</b>	GLADE GREEN CES1054-D96	
			<b>R</b>	VELVET BLACK CES1054-C52	
			<b>T</b>	SEAL GRAY CES1054-D98	
			<b>U</b>	ADOBE BEIGE CES1054-D53	
			<b>V</b>	MOSS GREEN CES1054-D97	

**INTERIOR PAINT COMMON TO ALL INTERIORS**

BLACK SEMI-GLOSS (LACQUER) CES1054-156	DULL BLACK (LACQUER) CES1054-193
CLOUD GREY (LACQUER) CES1054-531	CLOUD GREY (VINYL) CES1054-533

**NOTE: WHEN ORDERING PAINT SPECIFY  
CES1054 PART NUMBER.  
EXAMPLE: CES1054-531**









**182 & T182 Parts Catalog**

**Upholstery  
&  
Interior Trim**



# 182 & T182 Parts Catalog

## UPHOLSTERED PARTS - HOW TO ORDER

### 1974 MODEL YEAR THRU 1980 MODEL YEAR

PARTS MARKED WITH # FOLLOWING THE PART NUMBER REQUIRE A SECOND DASH NUMBER FOR COLOR & MATERIAL. (BE SURE TO SPECIFY SERIAL NUMBER OF AIRCRAFT)

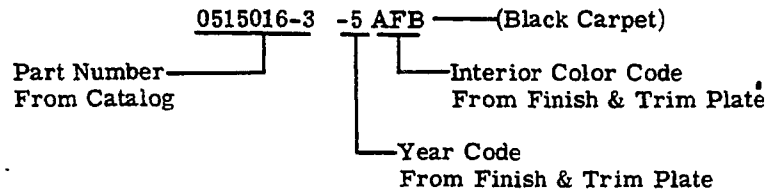
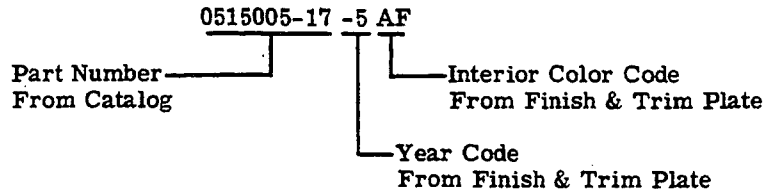
#### HOW TO DETERMINE 2nd DASH NUMBER

1. Find part number of desired part in catalog.
2. Refer to "FINISH & TRIM" plate, in the airplane, for your "Year Code" and "Interior Color Code."



3. Add the "Year Code" and "Interior Color Code," to the part number from catalog.

#### EXAMPLE OF COMPLETE NUMBER



### 1981 MODEL YEAR & ON

PARTS MARKED WITH A # FOLLOWING THE PART NUMBER NEED ONLY BE ACCOMPANIED BY THE AIRCRAFT SERIAL NUMBER.

# 182 & T182 Parts Catalog

## INTERIOR PAINTED OR PLASTIC PARTS HOW TO ORDER

### 1974 MODEL YEAR THRU 1980 MODEL YEAR

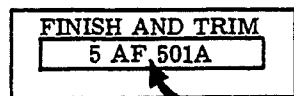
PARTS MARKED WITH < FOLLOWING THE PART NUMBER REQUIRE A SECOND DASH NUMBER FOR COLOR. (BE SURE TO SPECIFY SERIAL NUMBER OF AIRCRAFT)

### HOW TO DETERMINE 2nd DASH NUMBER

To obtain second dash number use of correct table, for your model year, is required.

To use table,

1. Find part number of desired part in catalog.
2. Refer to the "Finish and Trim" plate, in the airplane, for your "Interior Color Code."



3. Locate part number from catalog in table.
4. Add dash number for color that appears under your "Interior Color Code."

INTERIOR PAINTED OR PLASTIC PARTS 1975 MODEL YEAR		COLOR CODE (From Finish and Trim Plate)							
17245459 & ON		F17201235 & ON							
PART NUMBER	PART NAME	AF	BF	CF	DF	GF	GV	EL	FL
		AL	BV	CV	DV	GL	EL	FL	
0413484-18	SHIELD ASSY - LH DOORPOST	532	532	532	532	532	532	532	532
0413484-19	SHIELD ASSY - FWD DOORPOST	532	532	532	532	532	532	532	532
0413531-31	COVER - RADIO	A59	A59	A59	A59	A59	A59	A59	A59
0414013-12	SHIELD	532	532	532	532	532	532	532	532
0414013-13	COVER ASSY	532	532	532	532	532	532	532	532
0500210-44	COVER - CENTER POST	532	532	532	532	532	532	532	532
0500210-95	COVER - BAGGAGE DOOR FRAME FWD	B40	B24	B32	B36	B24	B32	B24	B32
0500210-97	PANEL - BAGGAGE COMPARTMENT RH	B40	B24	B32	B36	B24	B32	B24	B32
0500210-108	COVER - COWL DECK	B25	B25	B25	B25	B25	B25	B25	B25
0500210-135	MOULDING - REAR WINDOW LWR	532	532	532	532	532	532	532	532
0500233-14	COVER - CONSOLE	B40	B24	B32	B36	B24	B32	B24	B32
0500403-1	COVER - CONTROL YOKE	B40	B24	B32	B36	B24	B32	B24	B32

STEP "3" →

→ STEP "4"

#### EXAMPLES OF COMPLETE NUMBER

0500210-95 -B40

Part Number
2nd Dash Number  
From Catalog
From Table  

(Interior Color Code AF)

### 1981 MODEL YEAR & ON

SECOND DASH NUMBERS, WHEN NEEDED, ARE INCLUDED IN PART NUMBER COLUMN OF APPLICABLE PARTS LISTING IN CATALOG.

# 182 & T182 Parts Catalog

INTERIOR PAINTED OR PLASTIC PARTS		INTERIOR COLOR CODE (From Finish and Trim Plate)						
1974 MODEL YEAR		AF	BF	CF	DF	GF		
18262466 THRU 18263475		AV	BV	CV	DV	GV	EL	FL
PART NUMBER	PART NAME	AL	BV	CV	DV	GL	EL	FL
0514017-3	TRIM - SEAT BOTTOM FWD . . . . .	B40	B28	B32	B36	B24	532	279
0514058-1	RETAINER - SEAT BOTTOM . . . . .	B40	B28	B32	B36	B24	532	279
0514076-1	TRIM ASSY - SEAT BACK . . . . .	B40	B28	B32	B36	B24	532	279
0514083-1	TRIM ASSY - SEAT BACK . . . . .	B40	B28	B32	B36	B24	532	279
0700702-5	PANEL - BAGGAGE DOOR . . . . .	B40	B28	B32	B36	B24	532	279
0700702-21	PANEL - CANTED . . . . .	532	532	532	532	532	532	532
0705042-1	ESCUTCHEON - LH CABIN DOOR HANDLE . . . . .	279	279	279	279	279	279	279
0705042-2	ESCUTCHEON - RH CABIN DOOR HANDLE . . . . .	279	279	279	279	279	279	279
0711778-5	COVER ASSY WITH OXYGEN CUTOUPS . . . . .	532	532	532	532	532	532	532
0711778-7	COVER ASSY WITHOUT OXYGEN CUTOUPS . . . . .	532	532	532	532	532	532	532
0711779-1	ESCUTCHEON - DOME LIGHT . . . . .	532	532	532	532	532	532	532
0713483-1	COVER ASSY - INSTRUMENT PANEL LH . . . . .	A59	A59	A59	A59	A59	A59	A59
0713483-4	COVER ASSY - INST PANEL LH POST LIGHTED . . . . .	A59	A59	A59	A59	A59	A59	A59
0713484-1	COVER ASSY - UPPER RH . . . . .	A59	A59	A59	A59	A59	A59	A59
0713484-2	COVER ASSY - POST LIGHTED RH . . . . .	A59	A59	A59	A59	A59	A59	A59
0713484-5	COVER ASSY - UPPER RH DUAL ALTIMETER . . . . .	A59	A59	A59	A59	A59	A59	A59
0713484-6	COVER ASSY - POST LIGHTED RH DUAL ALTIMETER . . . . .	A59	A59	A59	A59	A59	A59	A59
0713811-5	COVER ASSY - CONSOLE . . . . .	B40	B28	B32	B36	B24	532	279
0714006-1	TRIM STRIP - LH DOOR ABOVE BELTLINE . . . . .	532	532	532	532	532	532	532
	BELOW BELTLINE . . . . .	B41	B29	B33	B37	B25	NA	151
0714006-2	TRIM STRIP - RH DOOR ABOVE BELTLINE . . . . .	532	532	532	532	532	532	532
	BELOW BELTLINE . . . . .	B41	B29	B33	B37	B25	NA	151
0714010-1	TRIM - SEAT BOTTOM LH . . . . .	B40	B28	B32	B36	B24	532	279
0714010-2	TRIM - SEAT BOTTOM RH . . . . .	B40	B28	B32	B36	B24	532	279
0715010-2	MOULDING - AFT WINDOW . . . . .	532	532	532	532	532	532	532
0715016-1	TRIM ASSY - SEAT BACK LH . . . . .	B40	B28	B32	B36	B24	532	279
0715016-2	TRIM ASSY - SEAT BACK RH . . . . .	B40	B28	B32	B36	B24	532	279
0715023-1	PANEL ASSY - AFT WALL . . . . .	B40	B28	B32	B36	B24	532	279
0715023-3	AFT PANEL - LH . . . . .	B40	B28	B32	B36	B24	532	279
0715023-5	PANEL ASSY . . . . .	532	532	532	532	532	532	532
0715023-8	COVER - PANEL . . . . .	532	532	532	532	532	532	532
0715023-16	AFT PANEL - RH . . . . .	B40	B28	B32	B36	B24	532	279
0715024-1	COVER - LH . . . . .	532	532	532	532	532	532	532
0715024-2	COVER - RH . . . . .	532	532	532	532	532	532	532
0715032-15	MOULDING - DOOR WINDOW LH . . . . .	532	532	532	532	532	532	532
0715032-16	MOULDING - DOOR WINDOW RH . . . . .	532	532	532	532	532	532	532
0715044-1	MOULDING - LH . . . . .	532	532	532	532	532	532	532
0715044-2	MOULDING - RH . . . . .	532	532	532	532	532	532	532
0715044-3	MOULDING - LH WINDOW . . . . .	532	532	532	532	532	532	532
0715044-4	MOULDING - RH WINDOW . . . . .	532	532	532	532	532	532	532
0715044-5	MOULDING - DOOR SILL . . . . .	532	532	532	532	532	532	532
0715052-1	PANEL - LH . . . . .	B40	B28	B32	B36	B24	532	279
0715052-2	PANEL - RH . . . . .	B40	B28	B32	B36	B24	532	279
1200231-1	RETAINER - CABIN AIR LH . . . . .	B41	B29	B33	B37	B25	531	151
1200231-2	RETAINER - CABIN AIR RH . . . . .	B41	B29	B33	B37	B25	531	151
1213366-1	COVER - SWITCH MOUNTING BRACKET . . . . .	710	710	710	710	710	710	710
1213377-1	COVER - PANEL CENTER . . . . .	A59	A59	A59	A59	A59	A59	A59
1213381-1	COVER - RADIO CUTOUP . . . . .	A59	A59	A59	A59	A59	A59	A59
1715047-3	ESCUTCHEON - LH . . . . .	B40	B28	B32	B36	B24	532	279
1715047-4	ESCUTCHEON - RH . . . . .	B40	B28	B32	B36	B24	532	279

# 182 & T182 Parts Catalog

INTERIOR PAINTED OR PLASTIC PARTS		INTERIOR COLOR CODE (From Finish and Trim Plate)							
1975 MODEL YEAR									
18263476 THRU 18264295									
PART NUMBER	PART NAME	AFD* AF AV AL	BF BV	CFG* CF CV	DFA* DF DV	GFC* GF GV GL	EL	FL	
0514112-2	TRIM - SEAT BACK . . . . .	B40	B28	B32	B36	B24	532	279	
0700702-5	PANEL - BAGGAGE DOOR . . . . .	B40	B28	B32	B36	B24	532	279	
0700702-21	PANEL - CANTED . . . . .	532	532	532	532	532	532	532	
0701079-1	COVER ASSY - INERTIA REEL . . . . .	532	532	532	532	532	532	532	
0705042-1	ESCUTCHEON - LH CABIN DOOR . . . . .	279	279	279	279	279	279	279	
0705042-2	ESCUTCHEON - RH CABIN DOOR . . . . .	279	279	279	279	279	279	279	
0711778-5	COVER ASSY WITH OXYGEN CUTOUTS . . . . .	532	532	532	532	532	532	532	
0711778-7	COVER ASSY WITHOUT OXYGEN CUTOUTS . . . . .	532	532	532	532	532	532	532	
0713483-5	COVER ASSY - INSTRUMENT PANEL LH . . . . .	A59	A59	A59	A59	A59	A59	A59	
0713483-6	COVER ASSY - POST LIGHTED LH . . . . .	A59	A59	A59	A59	A59	A59	A59	
0713484-1	COVER ASSY - UPPER RH . . . . .	A59	A59	A59	A59	A59	A59	A59	
0713484-2	COVER ASSY - POST LIGHTED RH . . . . .	A59	A59	A59	A59	A59	A59	A59	
0713484-5	COVER ASSY - UPPER RH DUAL ALTIMETER ONLY . . . . .	A59	A59	A59	A59	A59	A59	A59	
0713484-6	COVER ASSY - POST LIGHTED RH DUAL ALTIMETER . . . . .	A59	A59	A59	A59	A59	A59	A59	
0713534-1	COVER - DECK SKIN . . . . .	279	279	279	279	279	279	279	
0713811-5	COVER ASSY - CONSOLE . . . . .	B40	B28	B32	B36	B24	532	279	
0713972-2	COVER - CONSOLE LIGHT . . . . .	532	532	532	532	532	532	532	
0714006-1	TRIM STRIP - LH DOOR ABOVE BELT LINE . . . . .	532	532	532	532	532	532	532	
	BELOW BELT LINE . . . . .	B41	B29	B33	B37	B25	NA	151	
0714006-2	TRIM STRIP - RH DOOR ABOVE BELT LINE . . . . .	532	532	532	532	532	532	532	
	BELOW BELT LINE . . . . .	B41	B29	B33	B37	B25	NA	151	
0714010-1	TRIM - SEAT BOTTOM LH . . . . .	B40	B28	B32	B36	B24	532	279	
		B36*		B24*	B40*	B32*			
0714010-2	TRIM - SEAT BOTTOM RH . . . . .	B40	B28	B32	B36	B24	532	279	
		B36*		B24*	B40*	B32*			
0714023-1	TRIM ASSY - SEAT BACK LH . . . . .	B40	B28	B32	B36	B24	532	279	
		B36*		B24*	B40*	B32*			
0714023-2	TRIM ASSY - SEAT BACK RH . . . . .	B40	B28	B32	B36	B24	532	279	
		B36*		B24*	B40*	B32*			
0715010-2	MOULDING - AFT WINDOW . . . . .	532	532	532	532	532	532	532	
0715023-3	PANEL ASSY - LH . . . . .	B40	B28	B32	B36	B24	532	279	
0715023-5	PANEL ASSY . . . . .	532	532	532	532	532	532	532	
0715023-8	COVER - PANEL . . . . .	532	532	532	532	532	532	532	
0715023-16	PANEL ASSY - RH . . . . .	B40	B28	B32	B36	B24	532	279	
0715024-1	COVER - LH . . . . .	532	532	532	532	532	532	532	
0715024-2	COVER - RH . . . . .	532	532	532	532	532	532	532	
0715031-1	ESCUTCHEON . . . . .	B40	B28	B32	B36	B24	532	279	
0715032-15	MOULDING - DOOR WINDOW LH . . . . .	532	532	532	532	532	532	532	
0715032-16	MOULDING - DOOR WINDOW RH . . . . .	532	532	532	532	532	532	532	
0715024-1	COVER - LH . . . . .	532	532	532	532	532	532	532	
0715024-2	COVER - RH . . . . .	532	532	532	532	532	532	532	
0715031-1	ESCUTCHEON . . . . .	B40	B28	B32	B36	B24	532	279	
0715032-15	MOULDING - DOOR WINDOW LH . . . . .	532	532	532	532	532	532	532	
0715032-16	MOULDING - DOOR WINDOW RH . . . . .	532	532	532	532	532	532	532	
0715044-1	MOULDING - LH . . . . .	532	532	532	532	532	532	532	
0715044-2	MOULDING - RH . . . . .	532	532	532	532	532	532	532	
0715044-3	MOULDING - LH WINDOW . . . . .	532	532	532	532	532	532	532	
0715044-4	MOULDING - RH WINDOW . . . . .	532	532	532	532	532	532	532	
0715044-5	MOULDING - DOOR SILL . . . . .	532	532	532	532	532	532	532	
0715049-1	SPLICE - WINDLACE . . . . .	B40	B28	B32	B36	B24	532	279	
0715052-1	PANEL - LH AFT . . . . .	B40	B28	B32	B36	B24	532	279	
0715052-2	PANEL - RH . . . . .	B40	B28	B32	B36	B24	532	279	
0715053-3	PANEL ASSY - AFT WALL . . . . .	B40	B28	B32	B36	B24	532	279	
1200231-1	RETAINER - LH . . . . .	B41	B29	B33	B37	B25	531	151	
1200231-2	RETAINER - RH . . . . .	B41	B29	B33	B37	B25	531	151	
1213377-1	COVER - CENTER PANEL . . . . .	A59	A59	A59	A59	A59	A59	A59	
1213381-1	COVER ASSY - RADIO CUTOUT . . . . .	A59	A59	A59	A59	A59	A59	A59	
1213399-1	COVER - SWITCH MOUNTING BRACKET . . . . .	710	710	710	710	710	710	710	
1214098-1	TRIM - SEAT BACK . . . . .	B40	B28	B32	B36	B24	532	279	
1715047-3	ESCUTCHEON - LH . . . . .	B40	B28	B32	B36	B24	532	279	
1715047-4	ESCUTCHEON - RH . . . . .	B40	B28	B32	B36	B24	532	279	



# 182 & T182 Parts Catalog

INTERIOR PAINTED OR PLASTIC PARTS		INTERIOR COLOR CODE (From Finish and Trim Plate)								
1977 MODEL YEAR		AF	BF	CF	DF	EV	GF	HF	FL	
18265176 THRU 18265965                      F18200026 THRU F18200064		AV	BV	CV	DV	EL	GV	HV	FL	
PART NUMBER	PART NAME	AL	BV	CV	DL	EL	GV	HV	FL	
0514112-2	TRIM . . . . .	B40	B72	B76	B80	B84	A84	279	279	
0700702-5	PANEL - BAGGAGE DOOR . . . . .	B40	B72	B76	B80	B84	A84	279	279	
0700702-21	PANEL - CANTED . . . . .	532	532	532	532	532	532	532	532	
0701079-1	COVER ASSY - INERTIA REEL . . . . .	532	532	532	532	532	532	532	532	
0705042-1	ESCUTCHEON - LH CABIN DOOR HANDLE . . . . .	279	279	279	279	279	279	279	279	
0705042-2	ESCUTCHEON - RH CABIN DOOR HANDLE . . . . .	279	279	279	279	279	279	279	279	
0713811-7	COVER ASSY - CONSOLE . . . . .	B40	B72	B76	B80	B84	A84	532	279	
0714023-1	TRIM ASSY - SEAT BACK LH . . . . .	B40	B72	B76	B80	B84	A84	532	279	
0714023-2	TRIM ASSY - SEAT BACK RH . . . . .	B40	B72	B76	B80	B84	A84	532	279	
0715010-2	MOLDING - AFT WINDOW . . . . .	532	532	532	532	532	532	532	532	
0715023-3	TRIM PANEL - AFT LH . . . . .	B40	B72	B76	B80	B84	A84	532	279	
0715023-5	PANEL ASSY - BAGGAGE SHELF . . . . .	532	532	532	532	532	532	532	532	
0715023-8	COVER PANEL - BAGGAGE SHELF . . . . .	532	532	532	532	532	532	532	532	
0715023-16	TRIM PANEL - AFT RH . . . . .	B40	B72	B76	B80	B84	A84	532	279	
0715024-1	COVER - LH . . . . .	532	532	532	532	532	532	532	532	
0715024-2	COVER - RH . . . . .	532	532	532	532	532	532	532	532	
0715032-15	MOLDING - DOOR WINDOW LH . . . . .	532	532	532	532	532	532	532	532	
0715032-16	MOLDING - DOOR WINDOW RH . . . . .	532	532	532	532	532	532	532	532	
0715044-3	MOLDING - LH WINDOW . . . . .	532	532	532	532	532	532	532	532	
0715044-4	MOLDING - RH WINDOW . . . . .	532	532	532	532	532	532	532	532	
0715044-5	MOLDING - DOOR SILL UPPER . . . . .	532	532	532	532	532	532	532	532	
0715044-8	MOLDING - RH . . . . .	532	532	532	532	532	532	532	532	
0715044-9	MOLDING - LH . . . . .	532	532	532	532	532	532	532	532	
0715049-1	SPLICE . . . . .	B40	B72	B76	B80	B84	A84	532	279	
0715052-1	PANEL - LH . . . . .	B40	B72	B76	B80	B84	A84	532	279	
0715052-2	PANEL - RH . . . . .	B40	B72	B76	B80	B84	A84	532	279	
0715053-3	PANEL ASSY - AFT WALL . . . . .	B40	B72	B76	B80	B84	A84	532	279	
0715068-1	ESCUTCHEON - FRESH AIR VENT LH . . . . .	532	532	532	532	532	532	532	532	
0715068-2	ESCUTCHEON - FRESH AIR VENT RH . . . . .	532	532	532	532	532	532	532	532	
0715069-1	MOLDING - DOOR WINDOW RH . . . . .	532	532	532	532	532	532	532	532	
1714100-1	TRIM - SEAT BACK . . . . .	B40	B72	B76	B80	B84	A84	532	279	
1715047-3	ESCUTCHEON - LH . . . . .	B40	B72	B76	B80	B84	A84	532	279	
1715047-4	ESCUTCHEON - RH . . . . .	B40	B72	B76	B80	B84	A84	532	279	

# 182 & T182 Parts Catalog

INTERIOR PAINTED OR PLASTIC PARTS		INTERIOR COLOR CODE (From Finish and Trim Plate)							
1978 MODEL YEAR		LFL				JFL			
		AF	BF	KFL	GF	HF	EL	FL	MFL
		AV	BV	CV	GV	HV	EV		
		AL	BV	CF	GV	HL	EV	FL	MFL
PART NUMBER	PART NAME								
0700702-5	PANEL - BAGGAGE DOOR . . . . .	B40	C21	C25	C33	A84	532	279	B76
0700702-21	PANEL - CANTED . . . . .	532	532	532	532	532	532	532	532
0701079-1	COVER ASSY - INERTIA REEL . . . . .	532	532	532	532	532	532	532	532
0705042-1	ESCUTCHEON - LH CABIN DOOR HANDLE . . . . .	279	279	279	279	279	279	279	279
0705042-2	ESCUTCHEON - RH CABIN DOOR HANDLE . . . . .	279	279	279	279	279	279	279	279
0713703-2	CARPET RETAINER . . . . .	B41	C22	C26	C34	A85	151	151	B77
0713811-15	COVER ASSY - CONSOLE . . . . .	B40	C21	C25	C33	A84	532	279	B76
0715010-2	MOULDING - AFT WINDOW . . . . .	532	532	532	532	532	532	532	532
0715023-3	TRIM PANEL - AFT LH . . . . .	B40	C21	C25	C33	A84	532	279	B76
0715023-5	PANEL ASSY - BAGGAGE SHELF . . . . .	532	532	532	532	532	532	532	532
0715023-8	COVER PANEL - BAGGAGE SHELF . . . . .	532	532	532	532	532	532	532	532
0715023-16	TRIM PANEL - AFT RH . . . . .	B40	C21	C25	C33	A84	532	279	B76
0715024-1	COVER - LH . . . . .	532	532	532	532	532	532	532	532
0715024-2	COVER - RH . . . . .	532	532	532	532	532	532	532	532
0715031-1	ESCUTCHEON - WINDOW LATCH . . . . .	B40	C21	C25	C33	A84	532	279	B76
0715032-15	MOULDING - DOOR WINDOW LH . . . . .	532	532	532	532	532	532	532	532
0715032-16	MOULDING - DOOR WINDOW RH . . . . .	532	532	532	532	532	532	532	532
0715044-3	MOULDING - LH WINDOW . . . . .	532	532	532	532	532	532	532	532
0715044-4	MOULDING - RH WINDOW . . . . .	532	532	532	532	532	532	532	532
0715044-5	MOULDING - DOOR SILL UPPER . . . . .	532	532	532	532	532	532	532	532
0715044-8	MOULDING - LH . . . . .	532	532	532	532	532	532	532	532
0715044-9	MOULDING - RH . . . . .	532	532	532	532	532	532	532	532
0715049-1	SPLICE . . . . .	B40	C21	C25	C33	A84	532	279	B76
0715052-1	PANEL - LH . . . . .	B40	C21	C25	C33	A84	532	279	B76
0715052-2	PANEL - RH . . . . .	B40	C21	C25	C33	A84	532	279	B76
0715053-3	PANEL ASSY - AFT WALL . . . . .	B40	C21	C25	C33	A84	532	279	B76
0715068-1	ESCUTCHEON - FRESH AIR VENT LH . . . . .	532	532	532	532	532	532	532	532
0715068-2	ESCUTCHEON - FRESH AIR VENT RH . . . . .	532	532	532	532	532	532	532	532
0715069-1	MOULDING - DOOR WINDOW RH . . . . .	532	532	532	532	532	532	532	532
1715047-3	ESCUTCHEON - LH . . . . .	B40	C71	C25	C33	A84	532	279	B76
1715047-4	ESCUTCHEON - RH . . . . .	B40	C71	C25	C33	A84	532	279	B76

# 182 & T182 Parts Catalog

INTERIOR PAINTED OR PLASTIC PARTS <b>1979 MODEL YEAR</b>		INTERIOR COLOR CODE (From Finish and Trim Plate) *SEE EXPLANATION BELOW							
18266591 THRU 18267300		F18200095 THRU F18200129							
PART NUMBER	PART NAME	1	2	3	4	5	6	7	8
0700702-5	PANEL - BAGGAGE DOOR . . . . .	B40	C21	D30	D22	A84	532	279	C82
0700702-21	PANEL - CANTED . . . . .	532	532	532	532	532	532	532	532
0701079-1	COVER ASSY - INERTIA REEL . . . . .	532	532	532	532	532	532	532	532
0705042-1	ESCUTCHEON - LH CABIN DOOR HANDLE . . . . .	279	279	279	279	279	279	279	279
0705042-2	ESCUTCHEON - RH CABIN DOOR HANDLE . . . . .	279	279	279	279	279	279	279	279
0713703-2	CARPET RETAINER . . . . .	B41	C22	D31	D23	A85	151	151	C84
0713811-15	COVER ASSY - CONSOLE . . . . .	B40	C21	D30	D22	A84	532	279	C82
0715010-2	MOULDING - AFT WINDOW . . . . .	532	532	532	532	532	532	532	532
0715023-3	TRIM PANEL - AFT LH . . . . .	B40	C21	D30	D22	A84	532	279	C82
0715023-5	PANEL ASSY - BAGGAGE SHELF . . . . .	532	532	532	532	532	532	532	532
0715023-8	COVER PANEL - BAGGAGE SHELF . . . . .	532	532	532	532	532	532	532	532
0715023-16	TRIM PANEL - AFT RH . . . . .	B40	C21	D30	D22	A84	532	279	C82
0715024-1	COVER - LH . . . . .	532	532	532	532	532	532	532	532
0715024-2	COVER - RH . . . . .	532	532	532	532	532	532	532	532
0715031-1	ESCUTCHEON - WINDOW LATCH . . . . .	B40	C21	D30	D22	A84	532	279	C82
0715032-15	MOULDING - DOOR WINDOW LH . . . . .	532	532	532	532	532	532	532	532
0715032-16	MOULDING - DOOR WINDOW RH . . . . .	532	532	532	532	532	532	532	532
0715044-3	MOULDING - LH . . . . .	532	532	532	532	532	532	532	532
0715044-4	MOULDING - RH . . . . .	532	532	532	532	532	532	532	532
0715044-5	MOULDING - DOOR SILL UPPER . . . . .	532	532	532	532	532	532	532	532
0715044-10	MOULDING - RH . . . . .	532	532	532	532	532	532	532	532
0715044-11	MOULDING - LH . . . . .	532	532	532	532	532	532	532	532
0715049-1	SPLICE . . . . .	B40	C21	D30	D22	A84	532	279	C82
0715052-1	PANEL - LH - AFT WALL . . . . .	B40	C21	D30	D22	A84	532	279	C82
0715052-2	PANEL - RH - AFT WALL . . . . .	B40	C21	D30	D22	A84	532	279	C82
0715053-3	PANEL ASSY . . . . .	B40	C21	D30	D22	A84	532	279	C82
0715059-1	BAFFLE - INERTIA REEL . . . . .	532	532	532	532	532	532	532	532
1714100-1	TRIM - SEAT BACK . . . . .	B40	C21	D30	D22	A84	532	279	C82
1715047-3	ESCUTCHEON - LH . . . . .	B40	C21	D30	D22	A84	532	279	C82
1715047-4	ESCUTCHEON - RH . . . . .	B40	C21	D30	D22	A84	532	279	C82

\* COLUMN 1 AL, AF, AFL, AFC, AFCC, AFLC  
 \* COLUMN 2 BL, BF, BFL, BFC, BFCC, BFLC  
 \* COLUMN 3 CL, CF, CFL, CFC, CDFC, CHFC, CGFC, CAFL, CBFL, CHFL, CGFL, CDFL  
 \* COLUMN 4 GL, GF, GFL, GFC, GFCC, GFLC  
 \* COLUMN 5 HL, HF, HFL, HFC, HFCC, HFLC  
 \* COLUMN 6 EL  
 \* COLUMN 7 FL  
 \* COLUMN 8 DL, DF, DFL, DFC, DFCC, DFLC



# 182 & T182 Parts Catalog

INTERIOR PAINTED OR PLASTIC PARTS <b>1980 MODEL YEAR</b>		INTERIOR COLOR CODE (From Finish and Trim Plate) *SEE EXPLANATION BELOW							
18267301 THRU 18267715		F18200130 THRU F18200169							
PART NUMBER	PART NAME	1	2	3	4	5	6	7	8
0514112-4	TRIM - SEAT BACK	B40	C21	D30	D22	A84	532	279	C82
0700702-5	PANEL - BAGGAGE DOOR	B40	C21	D30	D22	A84	532	279	C82
0705042-1	ESCUTCHEON - CABIN DOOR HANDLE	279	279	279	279	279	279	279	279
0705042-2	ESCUTCHEON - CABIN DOOR HANDLE	279	279	279	279	279	279	279	279
0713346-6	CAP.	%	%	%	%	%	%	%	%
0713703-2	CARPET RETAINER	B41	C22	D31	D23	A85	151	151	C84
0713972-5	COVER ASSY - LIGHT	532	532	532	532	532	532	532	532
0714023-3	BACK PANEL - SEAT LH	B40	C21	D30	D22	A84	532	279	C82
0714023-4	BACK PANEL - SEAT RH	B40	C21	D30	D22	A85	532	279	C82
0715010-3	MOULDING - UPPER AFT WINDOW	532	532	532	532	532	532	532	532
0715023-3	TRIM PANEL - AFT LH	B40	C21	D30	D22	A84	532	279	C82
0715023-5	PANEL ASSY - BAGGAGE SHELF	532	532	532	532	532	532	532	532
0715023-8	COVER PANEL - BAGGAGE SHELF	532	532	532	532	532	532	532	532
0715023-16	TRIM PANEL	B40	C21	D30	D22	A84	532	297	C82
0715024-1	COVER - LH	532	532	532	532	532	532	532	532
0715024-2	COVER - RH	532	532	532	532	532	532	532	532
0715032-15	MOULDING - DOOR WINDOW LH	532	532	532	532	532	532	532	532
0715032-16	MOULDING - DOOR WINDOW RH	532	532	532	532	532	532	532	532
0715044-5	MOULDING - DOOR SILL UPPER	532	532	532	532	532	532	532	532
0715044-10	MOULDING - RH	532	532	532	532	532	532	532	532
0715044-11	MOULDING - LH	532	532	532	532	532	532	532	532
0715044-19	MOULDING - WINDOW LH	532	532	532	532	532	532	532	532
0715044-20	MOULDING - WINDOW RH	532	532	532	532	532	532	532	532
0715052-1	PANEL - LH-AFT WALL	B40	C21	D30	D22	A84	532	279	C82
0715052-2	PANEL - RH-AFT WALL	B40	C21	D30	D22	A84	532	279	C82
0715053-3	RECEPTACLE	B40	C21	D30	D22	A84	532	279	C82
0715068-1	ESCUTCHEON	532	532	532	532	532	532	532	532
0715068-2	ESCUTCHEON	532	532	532	532	532	532	532	532
0715069-1	MOULDING ASSY - WINDOW	532	532	532	532	532	532	532	532
0715080-1	PANEL - CANTED	532	532	532	532	532	532	532	532
1205201-3	PLACARD - HEAD SET	%	%	%	%	%	%	%	%
1205201-4	PLACARD - PHONE JACK	%	%	%	%	%	%	%	%
1513190-36	CAP.	%	%	%	%	%	%	%	%
1513190-58	CAP.	%	%	%	%	%	%	%	%
1714100-1	TRIM - SEAT BACK	B40	C21	D30	D22	A84	532	279	C82
1715047-3	ESCUTCHEON - LH	B40	C21	D30	D22	A84	532	279	C82
1715047-4	ESCUTCHEON - RH	B40	C21	D30	D22	A84	532	279	C82
2213071-17	COVER ASSY - INSTRUMENT PANEL	%	%	%	%	%	%	%	%
2213071-19	COVER ASSY - INSTRUMENT PANEL	%	%	%	%	%	%	%	%
2213073-45	COVER ASSY - INSTRUMENT PANEL	%	%	%	%	%	%	%	%

\* COLUMN 1 AL, AF, AFL, AFC, AFCC, AFLC  
 \* COLUMN 2 BL, BF, BFL, BFC, BFCC, BFLC  
 \* COLUMN 3 CL, CF, CFL, CFC, CDFC, CHFC  
 CGFC, CAFL, CBFL, CHFL, CGFL,  
 CDFL, CAFC, CBFC  
 \* COLUMN 4 GL, GF, GFL, GFC, GFCC, GFLC  
 \* COLUMN 5 HL, HF, HFL, HFC, HFCC, HFLC  
 \* COLUMN 6 EL  
 \* COLUMN 7 FL  
 \* COLUMN 8 DL, DF, DFC, DFCC, DFLL, DFL

% THESE PARTS ARE AVAILABLE IN SHADOW  
 GRAY LIGHT CES1054-A59 OR BLACK CES1054-279

# 182 & T182 Parts Catalog

## Alphabetical Index

# 182 & T182 Parts Catalog

## ALPHABETICAL INDEX

NOMENCLATURE	FIGURE	NOMENCLATURE	FIGURE
<b>A</b>		<b>A (Cont)</b>	
ABRASION BOOT . . . . .	24	AIRSPD INDICATOR. . . . .	167
ACCESSORY KITS—SEE ACCY KIT CATALOG . . . . .		AIRSPD INDICATOR. . . . .	168
ACTUATOR FLAP . . . . .	7	AIRSPD INDICATOR TRJE . . . . .	98
ADAP TER CONTROL WHEEL . . . . .	154	AIRSPD INDICATOR TRUE . . . . .	99
ADAPTER FUEL TANK . . . . .	16	AIRSPD INDICATOR TRUE . . . . .	100
ADAP TER FUEL TANK DRAIN . . . . .	16	AIRSPD INDICATOR TRUE . . . . .	101
ADAP TER OIL OUTLET . . . . .	138	AIRSPD INDICATOR TRUE . . . . .	101A
ADAPTER OIL TEMPERATURE . . . . .	125	AIRSPD INDICATOR TRUE . . . . .	102
ADAPTOR OIL FILTER. . . . .	177	AIRSPD INDICATOR TRUE . . . . .	102A
ADHESIVE GASKET . . . . .	1	ALTERNATOR. . . . .	130
ADJUSTING ARM ALTERNATOR. . . . .	191	ALTERNATOR. . . . .	191
ADJUSTING ARM ALTERNATOR. . . . .	192	ALTERNATOR. . . . .	192
AFT CABIN WINDOWS . . . . .	48	ALTERNATOR. . . . .	193
AFT CABIN WINDOWS . . . . .	49	ALTERNATOR. . . . .	194
AFT CARPET. . . . .	88	ALTERNATOR ADJUSTING ARM. . . . .	194
AFT CARPET. . . . .	89	ALTERNATOR BELT . . . . .	130
AFT FLOORBOARD. . . . .	44	ALTERNATOR BELT . . . . .	191
AFT TAILCONE FUSELAGE . . . . .	56	ALTERNATOR BELT . . . . .	192
AFT WINDOW MOLDING. . . . .	84	ALTERNATOR DRIVE BELT . . . . .	129
AILERON . . . . .	18	ALTERNATOR DRIVE BELT . . . . .	193
AILERON BALANCE WEIGHT. . . . .	18	ALTERNATOR DRIVE BELT . . . . .	194
AILERON BELLCRANK . . . . .	18	ALTERNATOR 60 AMP . . . . .	129
AILERON CABLE . . . . .	157	ALTIMETER . . . . .	98
AILERON CONTROL SYSTEM. . . . .	157	ALTIMETER . . . . .	99
AILERON CONTROL TUBE. . . . .	151	ALTIMETER . . . . .	100
AILERON HINGE . . . . .	18	ALTIMETER . . . . .	101
AILERON PULLEY BRACKET. . . . .	7	ALTIMETER . . . . .	101A
AILERON PULLEY BRACKET. . . . .	28	ALTIMETER . . . . .	102
AILERON PULLEY BRACKET. . . . .	29	ALTIMETER . . . . .	102A
AILERON PULLEY BRACKET. . . . .	157	ALTIMETER . . . . .	166
AILERON PUSH PULL ROD . . . . .	18	ALTIMETER . . . . .	167
AILERON RIB . . . . .	18	ALTIMETER . . . . .	168
AIR CONDITIONING DUCTING. . . . .	89B	ALTIMETER DUAL. . . . .	166
AIR DUCT DRAIN TUBE . . . . .	144	ALTIMETER ENCODING. . . . .	167
AIR FILTER. . . . .	137	AMMETER . . . . .	98
AIR FILTER CARBURETOR . . . . .	129	AMMETER . . . . .	99
AIR FILTER CARBURETOR . . . . .	130	AMMETER . . . . .	100
AIR INLET FRESH . . . . .	11	AMMETER . . . . .	101
AIR SCOOP . . . . .	10	AMMETER . . . . .	101A
AIR SCOOP . . . . .	144	AMMETER . . . . .	102
AIR SCOOP . . . . .	145	AMMETER . . . . .	102A
AIR VALVE DEFLECTOR . . . . .	147	ANCHOR BRAKE CYLINDER . . . . .	30
AIR VENT BRACKET. . . . .	183	ANCHOR BRAKE CYLINDER . . . . .	35
AIR VENT DOOR . . . . .	28	ANCHOR BRAKE CYLINDER . . . . .	149
AIR VENT DOOR . . . . .	144	ANTENNA VHF . . . . .	22
AIR VENT DOOR . . . . .	145	ANTI ICE PROPELLER. . . . .	119B
AIR VENT DOOR . . . . .	145A	ANTI ICE PROPELLER. . . . .	119C
AIR VENT FWD OUTSIDE. . . . .	145	ANTI ICE WINDSHIELD . . . . .	119A
AIR VENT FWD OUTSIDE. . . . .	145A	APPROACH PLATE HOLDER . . . . .	154
AIR VENT INLET. . . . .	28	APPROACH PLATE HOLDER . . . . .	154A
AIR VENT INLET. . . . .	144	ARMREST . . . . .	86
AIR VENT INLET. . . . .	145	ARMREST . . . . .	87
AIR VENT OUTSIDE. . . . .	144	ARMREST . . . . .	88
AIR VENT OUTSIDE. . . . .	145	ARMREST . . . . .	89
AIR VENT OUTSIDE. . . . .	145A	ARMREST BRACKET . . . . .	29
AIR VENT SILENCER . . . . .	144	ARMREST BRACKET . . . . .	76
AIRBOX CARBURETOR . . . . .	126	ARMREST BRACKET . . . . .	78
AIRBOX CARBURETOR . . . . .	137	ARMREST BRACKET . . . . .	80
AIRBOX INDUCTION. . . . .	137	ASBESTOS GROMMET. . . . .	38
AIRCRAFT IDENTIFICATION NAMEPLATE . . . . .	26	ASH RECEIVER. . . . .	88
AIRSPD INDICATOR. . . . .	98	ASH RECEIVER. . . . .	89
AIRSPD INDICATOR. . . . .	99	ASSIST HANDLE . . . . .	86
AIRSPD INDICATOR. . . . .	100	AUTO PILOT—SEE ELECTRONICS MANUAL . . . . .	
AIRSPD INDICATOR. . . . .	101	AUXILIARY SEAT. . . . .	97
AIRSPD INDICATOR. . . . .	101A	AUXILIARY SPAR. . . . .	13
AIRSPD INDICATOR. . . . .	102	AVIONICS POWER SWITCH . . . . .	101A
AIRSPD INDICATOR. . . . .	102A	AVIONICS POWER SWITCH . . . . .	102A
AIRSPD INDICATOR. . . . .	166	AXLE. . . . .	69

# 182 & T182 Parts Catalog

## ALPHABETICAL INDEX

NOMENCLATURE	FIGURE	NOMENCLATURE	FIGURE
<b>A (Cont)</b>		<b>B (Cont)</b>	
AXLE . . . . .	70	BELT EXTENSION . . . . .	114
AXLE BOLT FERRULE . . . . .	58	BELT FRONT SEAT . . . . .	117
AXLE MAIN LANDING GEAR . . . . .	69	BELT REAR SEAT . . . . .	117
AXLE MAIN LANDING GEAR . . . . .	70	BELT SEAT . . . . .	97
AXLE SPACER . . . . .	58	BELT SEAT . . . . .	117
<b>B</b>		BLIND ENCODER . . . . .	168
BAFFLE DEFLECTOR . . . . .	136	BOARD DIODE . . . . .	184
BAFFLE OIL COOLER . . . . .	135	BOARD DIODE . . . . .	198
BAFFLES ENGINE . . . . .	135	BOARD DIODE . . . . .	199
BAFFLES ENGINE . . . . .	136	BOARD EXTERNAL POWER DIODE . . . . .	184
BAGGAGE DOOR . . . . .	83	BONDING STRAP . . . . .	18
BAGGAGE DOOR FUSELAGE . . . . .	83	BONDING STRAP . . . . .	23
BAGGAGE DOOR JAMB . . . . .	40	BONDING STRAP . . . . .	25
BAGGAGE DOOR JAMB . . . . .	41	BOOT ABRASION . . . . .	24
BAGGAGE DOOR LATCH . . . . .	83	ROOT STEERING . . . . .	28
BAGGAGE DOOR LOCK . . . . .	83	BOTTOM REAR SEAT . . . . .	95
BAGGAGE DOOR PANEL . . . . .	88	BOTTOM SEAT . . . . .	96
BAGGAGE DOOR PANEL . . . . .	89	BOTTOM SEAT . . . . .	96A
BAGGAGE DOOR SEAL . . . . .	40	BOWL FUEL STRAINER . . . . .	173
BAGGAGE DOOR SEAL . . . . .	41	BOWL FUEL STRAINER . . . . .	174
BAGGAGE DOOR SEAL . . . . .	90	BOX BATTERY . . . . .	52
BAGGAGE DOOR SEAL . . . . .	90A	BOX BATTERY . . . . .	53
BAGGAGE DOOR SILL . . . . .	40	BOX GLOVE . . . . .	111A
BAGGAGE DOOR SILL . . . . .	41	BRAKE . . . . .	71
BAGGAGE DOOR SILL . . . . .	41	BRAKE . . . . .	72
BAGGAGE NET . . . . .	88	BRAKE . . . . .	74
BAGGAGE PLACARD . . . . .	3	BRAKE . . . . .	149
BAGGAGE PLACARD . . . . .	4	BRAKE . . . . .	149A
BAGGAGE SHELF REMOVABLE . . . . .	84	BRAKE & RUDDER PEDAL . . . . .	149
BALANCE WEIGHT ELEVATOR . . . . .	25	BRAKE & RUDDER PEDAL . . . . .	149A
BARREL SHIMMY DAMPENER . . . . .	67	BRAKE & RUDDER PEDALS . . . . .	149
BARREL SHIMMY DAMPENER . . . . .	68	BRAKE & RUDDER PEDALS . . . . .	149A
BATTERY . . . . .	184	BRAKE CYLINDER . . . . .	73
BATTERY . . . . .	200	BRAKE CYLINDER . . . . .	74
BATTERY BOX . . . . .	52	BRAKE CYLINDER . . . . .	150
BATTERY BOX . . . . .	53	BRAKE CYLINDER ANCHOR . . . . .	30
BATTERY BOX BASE . . . . .	52	BRAKE CYLINDER ANCHOR . . . . .	35
BATTERY BOX LID . . . . .	53	BRAKE CYLINDER ANCHOR . . . . .	149
BATTERY CABLE . . . . .	184	BRAKE CYLINDER BRACKET . . . . .	149
BATTERY CABLE . . . . .	200	BRAKE CYLINDER BRACKET . . . . .	149A
BATTERY CABLE . . . . .	201	BRAKE CYLINDER MASTER . . . . .	150
BATTERY CABLE . . . . .	202	BRAKE DISC . . . . .	71
BATTERY CONTACTOR . . . . .	184	BRAKE HOSE . . . . .	148
BATTERY CONTACTOR . . . . .	200	BRAKE HOUSING . . . . .	148
BATTERY CONTACTOR . . . . .	201	BRAKE LINE . . . . .	69
BATTERY CONTACTOR . . . . .	202	BRAKE LINE . . . . .	70
BATTERY CONTACTOR DIODE . . . . .	200	BRAKE LINE . . . . .	148
BATTERY DRAIN TUBE . . . . .	201	BRAKE LINING . . . . .	72
BATTERY DRAIN TUBE . . . . .	202	BRAKE LINING . . . . .	73
BATTERY GROUND STRAP . . . . .	184	BRAKE LINING . . . . .	73
BATTERY GROUND STRAP . . . . .	200	BRAKE MAIN GEAR . . . . .	148
BATTERY GROUND STRAP . . . . .	201	BRAKE PARKING . . . . .	148
BATTERY GROUND STRAP . . . . .	202	BRAKE PEDAL . . . . .	149
BATTERY MANIFOLD . . . . .	201	BRAKE PEDAL . . . . .	149A
BATTERY MANIFOLD . . . . .	202	BRAKE SYSTEM . . . . .	148
BEACON LIGHT FLASHER . . . . .	189	BULB ALSO SEE LIGHTS . . . . .	
BEACON LIGHT FLASHING . . . . .	189	BULB COMPASS . . . . .	116
BELLCRANK AILERON . . . . .	18	BULB COURTESY LIGHT . . . . .	190
BELLCRANK ELEVATOR . . . . .	158	BULB DIGITAL CLOCK . . . . .	102
BELLCRANK RUDDER . . . . .	23	BULB DIGITAL CLOCK . . . . .	102A
BELT ALTERNATOR . . . . .	130	BULB INSTRUMENT CLUSTER . . . . .	98
BELT ALTERNATOR . . . . .	191	BULB INSTRUMENT CLUSTER . . . . .	99
BELT ALTERNATOR . . . . .	192	BULB INSTRUMENT CLUSTER . . . . .	100
BELT ALTERNATOR DRIVE . . . . .	193	BULB INSTRUMENT CLUSTER . . . . .	101A
BELT ALTERNATOR DRIVE . . . . .	194	BULB INSTRUMENT CLUSTER . . . . .	102
		BULB INSTRUMENT CLUSTER . . . . .	102A
		BULB MAP LIGHT . . . . .	154
		BULB MAP LIGHT . . . . .	154A
		BULB OVERHEAD CONSOLE . . . . .	188

# 182 & T182 Parts Catalog

## ALPHABETICAL INDEX

NOMENCLATURE	FIGURE	NOMENCLATURE	FIGURE
<b>B</b> (Cont)		<b>C</b> (Cont)	
BULB POST LIGHT . . . . .	107	CABIN DOOR UPHOLSTERY . . . . .	87
BULB POST LIGHT . . . . .	108	CABIN DOOR WEDGE . . . . .	26
BULB POST LIGHT . . . . .	109	CABIN DOOR WEDGE . . . . .	27
BULB POST LIGHT . . . . .	109A	CABIN HEAT CONTROL . . . . .	98
BULB POST LIGHT . . . . .	110A	CABIN HEAT CONTROL . . . . .	99
BULB WING NAVIGATION LIGHT . . . . .	5	CABIN HEAT CONTROL . . . . .	100
BULB WING NAVIGATION LIGHT . . . . .	6	CABIN HEAT CONTROL . . . . .	101
BULK ITEMS-LIST OF . . . . .	1	CABIN HEAT CONTROL . . . . .	101 A
BULKHEAD FORWARD DOORPOST . . . . .	31	CABIN HEAT CONTROL . . . . .	102
BULKHEAD FORWARD DOORPOST . . . . .	32	CABIN HEAT CONTROL . . . . .	102A
BULKHEAD FRONT DOORPOST . . . . .	31	CABIN HEAT CONTROL . . . . .	146
BULKHEAD FRONT DOORPOST . . . . .	32	CABIN HEAT CONTROL . . . . .	147
BULKHEAD LANDING GEAR . . . . .	45	CABIN HEATING . . . . .	146
BULKHEAD REAR DOORPOST . . . . .	42	CABIN HEATING . . . . .	147
BULKHEAD REAR DOORPOST . . . . .	43	CABIN HEATING & DEFROSTING SYSTEM . . . . .	146
BULKHEAD SPINNER . . . . .	121A	CABIN HEATING & DEFROSTING SYSTEM . . . . .	147
BULKHEAD SPINNER . . . . .	122	CABIN SECTION CENTER . . . . .	40
BULKHEAD STA 65.33 . . . . .	45	CABIN SECTION CENTER . . . . .	41
BULKHEAD UPPER CABIN . . . . .	40	CABIN SECTION LOWER . . . . .	44
BULKHEAD UPPER CABIN . . . . .	41	CABIN SIDE & FLOORBOARD UPHOLSTERY . . . . .	88
BULKHEAD UPPER CABIN LH . . . . .	40	CABIN SIDE & FLOORBOARD UPHOLSTERY . . . . .	89
BULKHEAD UPPER CABIN LH . . . . .	41	CABIN TOP . . . . .	40
BUS BAR . . . . .	98	CABIN TOP . . . . .	41
BUS BAR . . . . .	99	CABIN TOP . . . . .	84
BUS BAR . . . . .	100	CABIN TOP . . . . .	85
BUS BAR . . . . .	101	CABIN TOP & FIREWALL UPHOLSTERY . . . . .	84
BUS BAR . . . . .	101A	CABIN TOP & FIREWALL UPHOLSTERY . . . . .	85
BUS BAR . . . . .	102	CABIN TOP FORWARD . . . . .	40
BUS BAR . . . . .	102A	CABIN TOP SKYLIGHT . . . . .	40
BUS BAR CIRCUIT BREAKER . . . . .	102	CABIN TOP UPHOLSTERY . . . . .	85 A
BUS BAR CIRCUIT BREAKER . . . . .	102A	CABIN UPHOLSTERY . . . . .	89
BUTTON ANTI FRICTION PLUG . . . . .	19	CABIN VENTILATION OUTLET . . . . .	144
		CABIN VENTILATION OUTLET . . . . .	145
		CABIN VENTILATION SYSTEM . . . . .	144
		CABIN VENTILATION SYSTEM . . . . .	145
		CABIN VENTILATION SYSTEM . . . . .	145A
		CABIN WINDOWS AFT . . . . .	48
		CABIN WINDOWS AFT . . . . .	49
		CABLES-CONTROL-SEE APPLICABLE SYSTEM . . . . .	
		CAM DOOR LOCK . . . . .	75
		CAM DOOR LOCK . . . . .	83
		CAM SEAT BACK . . . . .	91
		CAM SEAT BACK . . . . .	95
		CAM SEAT BACK RECLINE . . . . .	91
		CAM SEAT BACK RECLINE . . . . .	95
		CAP FIN TIP . . . . .	21
		CAP FIN TIP . . . . .	22
		CAP FUEL . . . . .	9
		CAP FUEL . . . . .	16
		CAP HUB . . . . .	58
		CAP HUB . . . . .	59
		CAP HUB . . . . .	69
		CAP HUB . . . . .	70
		CAP LOWER NOSE . . . . .	123
		CAP NOSE GEAR HUB . . . . .	58
		CAP NOSE WHEEL HUB . . . . .	59
		CAP RUDDER TIP . . . . .	23
		CAP UPPER NOSE . . . . .	123
		CARB HEAT SHROUD . . . . .	126
		CARBURETOR . . . . .	129
		CARBURETOR . . . . .	130
		CARBURETOR . . . . .	137
		CARBURETOR AIR INTAKE DUCT . . . . .	123
		CARBURETOR AIR PROBE . . . . .	126
		CARBURETOR AIR PROBE . . . . .	128
		CARBURETOR AIR TEMP GAGE . . . . .	98
		CARBURETOR AIR TEMP GAGE . . . . .	99
		CARBURETOR AIR TEMP GAGE . . . . .	100
<b>C</b>			
CABIN AIR CONTROL . . . . .	98		
CABIN AIR CONTROL . . . . .	99		
CABIN AIR CONTROL . . . . .	100		
CABIN AIR CONTROL . . . . .	101		
CABIN AIR CONTROL . . . . .	101A		
CABIN AIR CONTROL . . . . .	102		
CABIN AIR CONTROL . . . . .	102A		
CABIN AIR CONTROL . . . . .	145A		
CABIN AIR OUTLET . . . . .	145		
CABIN AIR OUTLET . . . . .	145A		
CABIN AIR VENT SCOOP . . . . .	10		
CABIN AIR VENT SCOOP . . . . .	11		
CABIN DOOR HANDLE . . . . .	87		
CABIN DOOR LATCH . . . . .	81		
CABIN DOOR LATCH . . . . .	82		
CABIN DOOR LEFT . . . . .	76		
CABIN DOOR LH . . . . .	75		
CABIN DOOR RH . . . . .	77		
CABIN DOOR RH . . . . .	78		
CABIN DOOR RIGHT . . . . .	79		
CABIN DOOR RIGHT . . . . .	80		
CABIN DOOR STOP . . . . .	75		
CABIN DOOR STOP . . . . .	77		
CABIN DOOR STOP . . . . .	79		
CABIN DOOR STRUCTURE . . . . .	75		
CABIN DOOR STRUCTURE . . . . .	76		
CABIN DOOR STRUCTURE . . . . .	77		
CABIN DOOR STRUCTURE . . . . .	78		
CABIN DOOR STRUCTURE . . . . .	79		
CABIN DOOR STRUCTURE . . . . .	80		
CABIN DOOR UPHOLSTERY . . . . .	86		

# 182 & T182 Parts Catalog

## ALPHABETICAL INDEX

NOMENCLATURE	FIGURE	NOMENCLATURE	FIGURE
<b>C</b> (Cont)		<b>C</b> (Cont)	
CARBURETOR AIR TEMP GAGE. . . . .	101	CLOCK DIGITAL . . . . .	102A
CARBURETOR AIR TEMP GAGE. . . . .	101A	CLOCK ELECTRIC. . . . .	98
CARBURETOR AIR TEMP GAGE. . . . .	102	CLOCK ELECTRIC. . . . .	99
CARBURETOR AIR TEMP GAGE. . . . .	102A	CLOCK ELECTRIC. . . . .	100
CARBURETOR AIR TEMP PROBE . . . . .	126	CLOCK ELECTRIC. . . . .	101
CARBURETOR AIR TEMP PROBE . . . . .	128	CLOCK ELECTRIC. . . . .	101A
CARBURETOR AIRBOX . . . . .	126	CLOCK ELECTRIC. . . . .	102
CARBURETOR AIRBOX . . . . .	137	CLOCK ELECTRIC. . . . .	102A
CARBURETOR HEAT CONTROL . . . . .	98	CLOCK FUSE. . . . .	184
CARBURETOR HEAT CONTROL . . . . .	99	CLOCK FUSE. . . . .	185
CARBURETOR HEAT CONTROL . . . . .	100	CLUSTER INSTRUMENT. . . . .	98
CARBURETOR HEAT CONTROL . . . . .	101	CLUSTER INSTRUMENT. . . . .	99
CARBURETOR HEAT CONTROL . . . . .	101A	CLUSTER INSTRUMENT. . . . .	100
CARBURETOR HEAT CONTROL . . . . .	102	CLUSTER INSTRUMENT. . . . .	101
CARBURETOR HEAT CONTROL . . . . .	102A	CLUSTER INSTRUMENT. . . . .	101A
CARBURETOR HEAT CONTROL . . . . .	125	CLUSTER INSTRUMENT. . . . .	102
CARBURETOR HEAT CONTROL . . . . .	127	CLUSTER INSTRUMENT. . . . .	102A
CARBURETOR HEAT HOSE . . . . .	126	COAT HANGER . . . . .	84
CARBURETOR HEAT SHROUD. . . . .	137	COAT HANGER . . . . .	85
CARGO TIE DOWN LATCH. . . . .	112	COMPASS . . . . .	116
CARPET. . . . .	88	COMPASS BULB. . . . .	116
CARPET. . . . .	89	COMPONENTS ENGINE . . . . .	129
CARPET AFT. . . . .	88	COMPONENTS ENGINE . . . . .	130
CARPET AFT. . . . .	89	COMPONENTS FRONT SECTION TUNNEL . . . . .	35
CARPET RUDDER BAR . . . . .	88	CONDITIONING DUCTING AIR. . . . .	89B
CARPET RUDDER BAR . . . . .	89	CONNECTOR PITOT TUBE. . . . .	10
CARPET TUNNEL . . . . .	88	CONNECTOR PITOT TUBE. . . . .	11
CARPET TUNNEL . . . . .	89	CONNECTOR PITOT TUBE. . . . .	166
CARRY THRU REAR SPAR. . . . .	43	CONSOLE . . . . .	155
CARRY THRU SPAR . . . . .	43	CONSOLE . . . . .	156
CASE OXYGEN MASK. . . . .	181	CONSOLE . . . . .	156A
CASE OXYGEN MASK. . . . .	182	CONSOLE COVER . . . . .	108
CASE OXYGEN MASK. . . . .	183	CONSOLE COVER . . . . .	195
CATALOG-HOW TO USE-SEE INTRODUCTION		CONSOLE COVER . . . . .	195A
CATCH MAP COMPARTMENT . . . . .	111	CONSOLE COVER . . . . .	195B
CELL INTEGRAL FUEL. . . . .	9	CONSOLE LAMP. . . . .	188
CENTER CABIN SECTION. . . . .	40	CONSOLE LAMP. . . . .	195
CENTER CABIN SECTION. . . . .	41	CONSOLE LAMP. . . . .	195A
CENTER FLOORBOARD . . . . .	44	CONSOLE LIGHTS SWITCH . . . . .	98
CESSNA NAMEPLATE. . . . .	3	CONSOLE LIGHTS SWITCH . . . . .	99
CESSNA NAMEPLATE. . . . .	4	CONSOLE LIGHTS SWITCH . . . . .	100
CESSNA PLACARD. . . . .	4	CONSOLE OVERHEAD. . . . .	85A
CHAIN ELEVATOR TRIM . . . . .	161A	CONSOLE STRUCTURE . . . . .	33
CHECK LIST PILOT. . . . .	3	CONSOLE STRUCTURE . . . . .	34
CHECK VALVE . . . . .	180C	CONSOLE STRUCTURE . . . . .	34A
CIGAR LIGHTER . . . . .	98	CONTACTOR . . . . .	198
CIGAR LIGHTER . . . . .	99	CONTACTOR . . . . .	199
CIGAR LIGHTER . . . . .	100	CONTACTOR BATTERY . . . . .	184
CIGAR LIGHTER . . . . .	101	CONTACTOR BATTERY . . . . .	200
CIGAR LIGHTER . . . . .	185	CONTACTOR BATTERY . . . . .	201
CIGAR LIGHTER RESISTOR. . . . .	98	CONTACTOR BATTERY . . . . .	202
CIRCUIT BREAKER . . . . .	99	CONTACTOR EXTERNAL POWER. . . . .	184
CIRCUIT BREAKER . . . . .	100	CONTACTOR STARTER . . . . .	184
CIRCUIT BREAKER . . . . .	101	CONTACTOR STARTER . . . . .	185
CIRCUIT BREAKER . . . . .	101A	CONTINENTAL ENGINE. . . . .	126
CIRCUIT BREAKER . . . . .	102	CONTROL CABLES-SEE INDIVIDUAL SYSTEM.	
CIRCUIT BREAKER . . . . .	102A	CONTROL SYSTEMS-SEE INDIVID SYSTEMS .	
CIRCUIT BREAKER . . . . .	119B	CONTROL WHEEL SEE WHEEL-CONTROL . . . . .	
CIRCUIT BREAKER . . . . .	119C	CONTROL-PUSHPULL-SEE ENGINE INSTL. . . . .	
CIRCUIT BREAKER . . . . .	189	CONTROL-PUSHPULL-SEE INSTRUMENT PANEL	
CIRCUIT BREAKER . . . . .	192	CONTROLS DETAIL FLAP. . . . .	164
CIRCUIT BREAKER . . . . .	194	COOLER ENGINE OIL . . . . .	126
CLEAR LENS. . . . .	57	COOLER LARGE OIL. . . . .	129
CLIP UPHOLSTERY . . . . .	31	COOLER OIL. . . . .	128
CLIP UPHOLSTERY . . . . .	32	COOLER OIL. . . . .	129
CLOCK DIGITAL . . . . .	101	COOLER OIL. . . . .	130
CLOCK DIGITAL . . . . .	101A	COURTESY LIGHT. . . . .	190
CLOCK DIGITAL . . . . .	102	COURTESY LIGHT BULB . . . . .	190

# 182 & T182 Parts Catalog

## ALPHABETICAL INDEX

NOMENCLATURE	FIGURE	NOMENCLATURE	FIGURE
<b>C (Cont)</b>		<b>D (Cont)</b>	
COURTESY LIGHT SWITCH . . . . .	185	DEFROSTER VALVE . . . . .	147
COWL & NOSE CAP UPPER . . . . .	124	DETECTOR LIGHT ICE . . . . .	119
COWL ACCESS DOOR . . . . .	124	DIGITAL CLOCK . . . . .	101
COWL DECK SKIN . . . . .	29	DIGITAL CLOCK . . . . .	101A
COWL DOOR LATCH . . . . .	123	DIGITAL CLOCK . . . . .	102
COWL DOOR LATCH . . . . .	124	DIGITAL CLOCK . . . . .	102A
COWL ENGINE . . . . .	123	DIGITAL CLOCK BULB . . . . .	102
COWL FLAP . . . . .	30	DIGITAL CLOCK BULB . . . . .	102A
COWL FLAP . . . . .	123	DIODE . . . . .	185
COWL FLAP CONTROL . . . . .	141	DIODE . . . . .	201
COWL FLAP CONTROL . . . . .	142	DIODE BATTERY CONTACTOR . . . . .	200
COWL FLAP CONTROL BRACKET . . . . .	36	DIODE BOARD . . . . .	184
COWL FLAP CONTROL BRACKET . . . . .	123	DIODE BOARD . . . . .	198
COWL FLAP CONTROL SYSTEM . . . . .	142	DIODE BOARD . . . . .	199
COWL FLAP LEVER . . . . .	155	DIODE BOARD EXTERNAL POWER . . . . .	184
COWL FLAP LEVER . . . . .	156	DIODE EXTERNAL POWER . . . . .	184
COWL FLAP LEVER . . . . .	156A	DIODE MASTER SWITCH . . . . .	98
COWL FLAPS CONTROL . . . . .	141	DIODE MASTER SWITCH . . . . .	99
COWL LOWER . . . . .	30	DIODE MASTER SWITCH . . . . .	100
COWL LOWER . . . . .	123	DIODE MASTER SWITCH . . . . .	184
COWL UPPER . . . . .	123	DIP STICK OIL . . . . .	126
COWL UPPER . . . . .	124	DIRECTIONAL GYRO . . . . .	98
CUP FUEL SAMPLER . . . . .	17	DIRECTIONAL GYRO . . . . .	99
CURTAIN ROLLER . . . . .	84	DIRECTIONAL GYRO . . . . .	100
CYLINDER & REGULATOR OXYGEN . . . . .	181	DIRECTIONAL GYRO . . . . .	101
CYLINDER & REGULATOR OXYGEN . . . . .	182	DIRECTIONAL GYRO . . . . .	101A
CYLINDER BRAKE . . . . .	73	DIRECTIONAL GYRO . . . . .	102
CYLINDER BRAKE . . . . .	74	DIRECTIONAL GYRO . . . . .	102A
CYLINDER BRAKE . . . . .	150	DIRECTIONAL GYRO . . . . .	178
CYLINDER HEAD TEMP GAGE . . . . .	98	DIRECTIONAL GYRO . . . . .	179
CYLINDER HEAD TEMP GAGE . . . . .	99	DIRECTIONAL GYRO . . . . .	180
CYLINDER HEAD TEMP GAGE . . . . .	100	DIRECTIONAL GYRO . . . . .	180A
CYLINDER HEAD TEMP GAGE . . . . .	101	DIRECTIONAL GYRO . . . . .	180B
CYLINDER HEAD TEMP GAGE . . . . .	101A	DISC BRAKE . . . . .	71
CYLINDER HEAD TEMP GAGE . . . . .	102	DISCHARGER STATIC . . . . .	5
CYLINDER HEAD TEMP GAGE . . . . .	102A	DISCHARGER STATIC . . . . .	18
CYLINDER LOCK . . . . .	92	DISCHARGER STATIC . . . . .	25
CYLINDER LOCK . . . . .	96	DISTRIBUTOR FUEL . . . . .	175
CYLINDER LOCK . . . . .	96A	DOME LIGHT LAMP . . . . .	184
		DOME LIGHT LAMP . . . . .	185
		DOME LIGHT LENS . . . . .	184
		DOME LIGHT LENS . . . . .	185
		DOME LIGHT SWITCH . . . . .	184
		DOME LIGHT SWITCH . . . . .	185
		DOME SPINNER . . . . .	120
		DOME SPINNER . . . . .	121A
		DOME SPINNER . . . . .	122
		DOOR AIR VENT . . . . .	28
		DOOR AIR VENT . . . . .	144
		DOOR AIR VENT . . . . .	145
		DOOR AIR VENT . . . . .	145A
		DOOR BAGGAGE . . . . .	83
		DOOR COWL ACCESS . . . . .	124
		DOOR EXTERNAL POWER . . . . .	198
		DOOR EXTERNAL POWER . . . . .	199
		DOOR FUSELAGE BAGGAGE . . . . .	83
		DOOR JAMB . . . . .	31
		DOOR JAMB . . . . .	32
		DOOR JAMB . . . . .	83
		DOOR JAMB AFT BAGGAGE . . . . .	40
		DOOR JAMB AFT BAGGAGE . . . . .	41
		DOOR JAMB BAGGAGE . . . . .	40
		DOOR JAMB BAGGAGE . . . . .	41
		DOOR LATCH BRACKET . . . . .	75
		DOOR LATCH BRACKET . . . . .	77
		DOOR LATCH BRACKET . . . . .	79
		DOOR LEFT CABIN . . . . .	76
		DOOR LH CABIN . . . . .	75
<b>D</b>			
DAMPENER SHIMMY . . . . .	67		
DAMPENER SHIMMY . . . . .	68		
DEADENER SOUND . . . . .	1		
DECALS-SEE PLACARDS . . . . .			
DECK SKIN . . . . .	28		
DECK SKIN . . . . .	29		
DECK SKIN COWL . . . . .	29		
DEFLECTOR . . . . .	124		
DEFLECTOR AIR VALVE . . . . .	147		
DEFLECTOR BAFFLE . . . . .	136		
DEFLECTOR ENGINE HEAT . . . . .	126		
DEFLECTOR PLATE DEFROST . . . . .	84		
DEFLECTOR PLATE DEFROST . . . . .	85		
DEFROST CONTROL . . . . .	98		
DEFROST CONTROL . . . . .	99		
DEFROST CONTROL . . . . .	100		
DEFROST CONTROL . . . . .	101		
DEFROST CONTROL . . . . .	101A		
DEFROST CONTROL . . . . .	102		
DEFROST CONTROL . . . . .	102A		
DEFROST NOZZLE . . . . .	146		
DEFROST VALVE . . . . .	146		
DEFROSTER CONTROL . . . . .	147		
DEFROSTER NOZZLE . . . . .	147		

# 182 & T182 Parts Catalog

## ALPHABETICAL INDEX

NOMENCLATURE	FIGURE	NOMENCLATURE	FIGURE
<b>D (Cont)</b>		<b>E (Cont)</b>	
DOOR LOCK . . . . .	75	ELECTRIC TRIM ELEVATOR . . . . .	161
DOOR LOCK . . . . .	76	ELECTRIC TRIM ELEVATOR . . . . .	161A
DOOR MAP COMPARTMENT . . . . .	111	ELECTRIC TRIM HOUSING . . . . .	160
DOOR MAP COMPARTMENT . . . . .	111A	ELECTRIC TRIM HOUSING . . . . .	161
DOOR OIL . . . . .	123	ELECTRIC TRIM SWITCH . . . . .	154
DOOR PULL . . . . .	87	ELECTRIC TRIM SWITCH . . . . .	154A
DOOR RH CABIN . . . . .	77	ELECTRICAL EQUIPMENT . . . . .	184
DOOR RH CABIN . . . . .	78	ELECTRICAL EQUIPMENT . . . . .	185
DOOR SILL . . . . .	44	ELECTRONIC EQUIP-SEE ELECT MANUAL . . . . .	
DOOR SILL . . . . .	83	ELEMENT KIT FILTER . . . . .	177
DOOR SILL . . . . .	84	ELEMENT KIT OIL FILTER . . . . .	177
DOOR SILL . . . . .	85	ELEMENT VACUUM AIR FILTER . . . . .	178
DOOR SILL BAGGAGE . . . . .	40	ELEMENT VACUUM FILTER . . . . .	178
DOOR SILL BAGGAGE . . . . .	41	ELEVATOR . . . . .	25
DOOR SILL LOWER BAGGAGE . . . . .	41	ELEVATOR BELLCRANK . . . . .	158
DOOR SILL LOWER BAGGAGE . . . . .	44	ELEVATOR BELLCRANK BRACKET . . . . .	56
DOOR SILL UPPER BAGGAGE . . . . .	40	ELEVATOR CONTROL SYSTEM . . . . .	158
DOOR SILL UPPER BAGGAGE . . . . .	41	ELEVATOR ELECTRIC TRIM . . . . .	160
DOOR UPHOLSTERY CABIN . . . . .	86	ELEVATOR ELECTRIC TRIM . . . . .	161
DOOR UPHOLSTERY CABIN . . . . .	87	ELEVATOR ELECTRIC TRIM . . . . .	161A
DOOR WINDOW . . . . .	75	ELEVATOR ELECTRIC TRIM COMPONENTS . . . . .	160
DOOR WINDOW . . . . .	76	ELEVATOR ELECTRIC TRIM COMPONENTS . . . . .	161
DOOR WINDOW . . . . .	77	ELEVATOR ELECTRIC TRIM COMPONENTS . . . . .	161A
DOOR WINDOW . . . . .	78	ELEVATOR PULLEY . . . . .	159
DOOR WINDOW . . . . .	79	ELEVATOR TAB STOP BLOCK . . . . .	159
DOOR WINDOW . . . . .	80	ELEVATOR TIP . . . . .	25
DOOR WINDOW . . . . .	86	ELEVATOR TRIM CHAIN . . . . .	161A
DOORPOST . . . . .	31	ELEVATOR TRIM CONTROL . . . . .	159
DOORPOST . . . . .	32	ELEVATOR TRIM CONTROL SYSTEM . . . . .	159
DORSAL FAIRING . . . . .	21	ELEVATOR TRIM INDICATOR . . . . .	155
DORSAL FAIRING . . . . .	22	ELEVATOR TRIM INDICATOR . . . . .	156
DORSAL FIN FAIRING . . . . .	21	ELEVATOR TRIM INDICATOR . . . . .	156A
DORSAL FIN FAIRING . . . . .	22	ELEVATOR TRIM SUPPORT . . . . .	33
DOMEL HUB ALIGNMENT . . . . .	121	ELEVATOR TRIM SUPPORT . . . . .	34
DRAG LINK . . . . .	59	ELEVATOR TRIM SUPPORT . . . . .	34A
DRAIN VALVE . . . . .	17	ELEVATOR TRIM TAB . . . . .	162
DRAIN VALVE . . . . .	128	ELEVATOR TRIM TAB ACTUATOR . . . . .	162
DRIVE BELT ALTERNATOR . . . . .	129	ELEVATOR TRIM WHEEL . . . . .	155
DRIVE ELECTRIC TRIM . . . . .	160	ELEVATOR TRIM WHEEL . . . . .	155
DRIVE ELECTRIC TRIM . . . . .	161	ELEVATOR TRIM WHEEL . . . . .	156A
DRIVE GEAR MAGNETO . . . . .	129	ELT PLACARD . . . . .	4
DUAL ALTIMETER . . . . .	166	EMBLEM CONTROL WHEEL . . . . .	3
DUCT CARBURETOR AIR INTAKE . . . . .	123	EMBLEM CONTROL WHEEL . . . . .	4
DUCT FRESH AIR . . . . .	11	ENCODER BLIND . . . . .	168
DUCT HEATER . . . . .	28	ENCODING ALTIMETER . . . . .	167
DUCT HEATER . . . . .	36	ENGINE . . . . .	125
DUCT HEATER . . . . .	37	ENGINE . . . . .	126
DUCT HEATER . . . . .	134	ENGINE . . . . .	128
		ENGINE . . . . .	135
		ENGINE BAFFLES . . . . .	136
		ENGINE BAFFLES . . . . .	129
		ENGINE COMPONENTS . . . . .	130
		ENGINE COMPONENTS . . . . .	126
		ENGINE CONTINENTAL . . . . .	123
		ENGINE COWL . . . . .	126
		ENGINE HEAT DEFLECTOR . . . . .	126
		ENGINE MOUNT . . . . .	128
		ENGINE MOUNT . . . . .	29
		ENGINE MOUNT BRACKET . . . . .	192
		ENGINE MOUNT BRACKET . . . . .	28
		ENGINE MOUNT STRINGER . . . . .	126
		ENGINE OIL COOLER . . . . .	3
		ENGINE OIL PLACARD . . . . .	98
		ENGINE PRIMER . . . . .	99
		ENGINE PRIMER . . . . .	100
		ENGINE PRIMER . . . . .	101
		ENGINE PRIMER . . . . .	101A
		ENGINE PRIMER . . . . .	102
<b>E</b>			
ECONOMY POWER PROBE . . . . .	125		
ELBOW PRIMING JET . . . . .	125		
ELECTRIC CLOCK . . . . .	98		
ELECTRIC CLOCK . . . . .	99		
ELECTRIC CLOCK . . . . .	100		
ELECTRIC CLOCK . . . . .	101		
ELECTRIC CLOCK . . . . .	101A		
ELECTRIC CLOCK . . . . .	102		
ELECTRIC CLOCK . . . . .	102A		
ELECTRIC TRIM COMPONENTS ELEVATOR . . . . .	160		
ELECTRIC TRIM COMPONENTS ELEVATOR . . . . .	161		
ELECTRIC TRIM COMPONENTS ELEVATOR . . . . .	161A		
ELECTRIC TRIM DRIVE . . . . .	160		
ELECTRIC TRIM DRIVE . . . . .	161		
ELECTRIC TRIM ELEVATOR . . . . .	160		



# 182 & T182 Parts Catalog

## ALPHABETICAL INDEX

NOMENCLATURE	FIGURE	NOMENCLATURE	FIGURE
<b>E (Cont)</b>		<b>F (Cont)</b>	
ENGINE PRIMER . . . . .	102A	FAIRING STABILIZER. . . . .	24
ENGINE TURBOCHARGED . . . . .	127	FAIRING WHEEL . . . . .	69
ENGINE TURBOCHARGED . . . . .	128	FAIRING WING. . . . .	5
EQUIPMENT ELECTRICAL. . . . .	184	FAIRING WING. . . . .	6
EQUIPMENT ELECTRICAL. . . . .	185	FASTENER REAR BAFFLE. . . . .	135
EQUIPMENT FUSELAGE. . . . .	112	FELT GREASE SEAL. . . . .	71
EQUIPMENT WINTERIZATION . . . . .	143	FERRULE AXLE BOLT . . . . .	58
ESCUTCHEON SILENCER . . . . .	144	FIBERGLASS SOUNDPROOFING. . . . .	90
EXHAUST GAS TEMP INDICATOR. . . . .	98	FIBERGLASS SOUNDPROOFING. . . . .	90A
EXHAUST GAS TEMP INDICATOR. . . . .	99	FILLET WING . . . . .	26
EXHAUST GAS TEMP INDICATOR. . . . .	100	FILLET WING . . . . .	27
EXHAUST GAS TEMP INDICATOR. . . . .	101	FILTER. . . . .	178
EXHAUST GAS TEMP INDICATOR. . . . .	101A	FILTER AIR. . . . .	137
EXHAUST GAS TEMP INDICATOR. . . . .	102	FILTER CARBURETOR AIR . . . . .	129
EXHAUST GAS TEMP INDICATOR. . . . .	102A	FILTER CARBURETOR AIR . . . . .	130
EXHAUST GAS TEMP PROBE. . . . .	98	FILTER ELEMENT KIT. . . . .	177
EXHAUST GAS TEMP PROBE. . . . .	99	FILTER ELEMENT KIT OIL. . . . .	177
EXHAUST GAS TEMP PROBE. . . . .	100	FILTER ELEMENT VACUUM . . . . .	178
EXHAUST GAS TEMP PROBE. . . . .	101	FILTER ELEMENT VACUUM AIR . . . . .	178
EXHAUST GAS TEMP PROBE. . . . .	101A	FILTER FUEL STRAINER. . . . .	173
EXHAUST GAS TEMP PROBE. . . . .	102	FILTER FUEL STRAINER. . . . .	174
EXHAUST GAS TEMP PROBE. . . . .	102A	FILTER LIGHT . . . . .	98
EXHAUST GAS TEMP PROBE. . . . .	127	FILTER LIGHT . . . . .	99
EXHAUST MUFFLER . . . . .	133	FILTER LIGHT . . . . .	100
EXHAUST MUFFLER SHROUD. . . . .	132	FILTER LIGHT . . . . .	101
EXHAUST MUFFLER SHROUD. . . . .	133	FILTER LIGHT . . . . .	101A
EXHAUST PIPE. . . . .	132	FILTER LIGHT . . . . .	102
EXHAUST RISER . . . . .	134	FILTER LIGHT . . . . .	102A
EXHAUST STACK . . . . .	132	FILTER OIL. . . . .	128
EXHAUST STACK . . . . .	133	FILTER OIL. . . . .	177
EXHAUST STACK LH. . . . .	134	FILTER RELIEF VALVE . . . . .	179
EXHAUST SYSTEM. . . . .	134	FILTER VACUUM AIR . . . . .	178
EXTENSION BELT. . . . .	114	FILTER VACUUM AIR . . . . .	179
EXTENSION PEDAL . . . . .	149	FILTER VACUUM AIR . . . . .	180
EXTENSION VALVE . . . . .	58	FILTER VACUUM AIR . . . . .	180A
EXTENSION VALVE . . . . .	59	FILTER VACUUM AIR . . . . .	180B
EXTENSION VALVE . . . . .	69	FILTER VACUUM RELIEF. . . . .	178
EXTENSION VALVE . . . . .	70	FILTER VACUUM RELIEF. . . . .	180
EXTERNAL POWER CONTACTOR. . . . .	184	FILTER VACUUM RELIEF. . . . .	180A
EXTERNAL POWER DIODE. . . . .	184	FIN & DORSAL. . . . .	21
EXTERNAL POWER DOOR . . . . .	198	FIN & DORSAL. . . . .	22
EXTERNAL POWER DOOR . . . . .	199	FIN ATTACH FITTING. . . . .	21
EXTERNAL POWER FUSE . . . . .	184	FIN ATTACH FITTING. . . . .	22
EXTERNAL POWER RECEPTACLE . . . . .	184	FIN TIP . . . . .	21
EXTERNAL POWER RECEPTACLE . . . . .	198	FIN TIP . . . . .	22
EXTERNAL POWER RECEPTACLE . . . . .	199	FIN TIP . . . . .	189
EXTERNAL POWER RESISTOR . . . . .	184	FIN TIP CAP . . . . .	21
EXTINGUISHER FIRE . . . . .	112	FIN TIP CAP . . . . .	22
EYEBOLT . . . . .	88	FIN TIP FLASHING BEACON . . . . .	21
EYEBOLT . . . . .	89	FIN TIP FLASHING BEACON . . . . .	22
EYEBOLT HOISTING. . . . .	112	FIN VERTICAL. . . . .	21
EYEBOLT MOORING . . . . .	56	FIN VERTICAL. . . . .	22
<b>F</b>		FINISH & TRIM PLACARD . . . . .	3
FAIRING DORSAL. . . . .	21	FINISH & TRIM PLACARD . . . . .	4
FAIRING DORSAL. . . . .	22	FINISH & TRIM PLATE . . . . .	26
FAIRING DORSAL FIN. . . . .	21	FINISH & TRIM-HOW TO READ-PAGE.IV . . . . .	
FAIRING DORSAL FIN. . . . .	22	FIRE EXTINGUISHER . . . . .	112
FAIRING MAIN LANDING GEAR . . . . .	69	FIREWALL. . . . .	30
FAIRING MAIN LANDING GEAR . . . . .	70	FIREWALL. . . . .	36
FAIRING NOSE GEAR . . . . .	28	FIREWALL. . . . .	37
FAIRING NOSE GEAR SPEED . . . . .	58	FIREWALL GROMMET. . . . .	38
FAIRING NOSE GEAR SPEED . . . . .	59	FIREWALL GROMMET. . . . .	39
FAIRING SPEED . . . . .	58	FIREWALL GROMMET SHIELD . . . . .	38
FAIRING SPEED . . . . .	59	FIREWALL GROMMET SHIELD . . . . .	39
		FIREWALL GROMMETS . . . . .	38
		FIREWALL GROMMETS . . . . .	39
		FIREWALL SHIELD . . . . .	38
		FLAP. . . . .	19

# 182 & T182 Parts Catalog

## ALPHABETICAL INDEX

NOMENCLATURE	FIGURE	NOMENCLATURE	FIGURE
<b>F (Cont)</b>		<b>F (Cont)</b>	
FLAP ACTUATOR . . . . .	7	FUEL GAGE . . . . .	99
FLAP ACTUATOR MOTOR . . . . .	163	FUEL GAGE . . . . .	100
FLAP BELL CRANK BRACKET . . . . .	7	FUEL GAGE . . . . .	101
FLAP CABLE . . . . .	163	FUEL GAGE . . . . .	101A
FLAP CONTROL BRACKET . . . . .	19	FUEL GAGE . . . . .	102
FLAP CONTROL BRACKET . . . . .	103	FUEL GAGE . . . . .	102A
FLAP CONTROL BRACKET . . . . .	104	FUEL HOSE . . . . .	1
FLAP CONTROL BRACKET . . . . .	105	FUEL HOSE . . . . .	171
FLAP CONTROL BRACKET . . . . .	105A	FUEL JET . . . . .	175
FLAP CONTROL BRACKET . . . . .	106	FUEL LINE . . . . .	169
FLAP CONTROL BRACKET . . . . .	106A	FUEL LINE . . . . .	170
FLAP CONTROL COML . . . . .	142	FUEL LINE . . . . .	171
FLAP CONTROL SYSTEM . . . . .	163	FUEL PRESSURE HOSE . . . . .	128
FLAP CONTROL SYSTEM COWL . . . . .	142	FUEL PRESSURE LINE . . . . .	102
FLAP CONTROLS DETAIL . . . . .	164	FUEL PRESSURE LINE . . . . .	102A
FLAP COWL . . . . .	30	FUEL PRESSURE LINE . . . . .	128
FLAP COWL . . . . .	123	FUEL PRIMER . . . . .	176
FLAP LEVER . . . . .	164	FUEL PRIMER . . . . .	176A
FLAP MOTOR HINGE . . . . .	163	FUEL PRIMER JET . . . . .	176A
FLAP PULLEY BRACKET . . . . .	7	FUEL PRIMER SYSTEM . . . . .	175
FLAP PUSH PULL ROD . . . . .	19	FUEL PUMP . . . . .	130
FLAP PUSH ROD . . . . .	19	FUEL PUMP . . . . .	171
FLAP RETRACT CABLE . . . . .	163	FUEL SAMPLER CUP . . . . .	17
FLAP SPAR . . . . .	19	FUEL SELECTOR HANDLE . . . . .	169
FLAPS CONTROL COWL . . . . .	141	FUEL SELECTOR PLACARD . . . . .	3
FLASHER BEACON LIGHT . . . . .	189	FUEL SELECTOR PLACARD . . . . .	4
FLASHING BEACON LIGHT . . . . .	189	FUEL SELECTOR PLACARD . . . . .	169
FLASHING BEACON RESISTOR . . . . .	189	FUEL SELECTOR PLACARD . . . . .	170
FLOORBOARD . . . . .	28	FUEL SELECTOR PLACARD . . . . .	171
FLOORBOARD . . . . .	29	FUEL SELECTOR SHAFT . . . . .	170
FLOORBOARD . . . . .	44	FUEL SELECTOR SHAFT . . . . .	171
FLOORBOARD . . . . .	50	FUEL SELECTOR VALVE . . . . .	172
FLOORBOARD . . . . .	51	FUEL SELECTOR VALVE . . . . .	172A
FLOORBOARD AFT . . . . .	44	FUEL SELECTOR VALVE BRACKET . . . . .	30
FLOORBOARD CENTER . . . . .	44	FUEL SELECTOR VALVE BRACKET . . . . .	35
FLOORMAT . . . . .	89	FUEL SELECTOR VALVE COVER . . . . .	172
FORWARD AIRVENT CONTROL . . . . .	144	FUEL SELECTOR VALVE COVER . . . . .	172A
FORWARD AIRVENT CONTROL . . . . .	145	FUEL SELECTOR VALVE HANDLE . . . . .	169
FORWARD DOORPOST BULKHEAD . . . . .	31	FUEL STRAINER . . . . .	9
FORWARD DOORPOST BULKHEAD . . . . .	32	FUEL STRAINER . . . . .	36
FORWARD FUSELAGE LOWER . . . . .	30	FUEL STRAINER . . . . .	173
FORWARD FUSELAGE SPAR . . . . .	31	FUEL STRAINER . . . . .	174
FORWARD FUSELAGE SPAR . . . . .	32	FUEL STRAINER BOWL . . . . .	173
FORWARD FUSELAGE STRUCTURE . . . . .	28	FUEL STRAINER BOWL . . . . .	174
FORWARD FUSELAGE STRUCTURE . . . . .	29	FUEL STRAINER BRACKET . . . . .	28
FORWARD FUSELAGE STRUCTURE LOWER . . . . .	30	FUEL STRAINER BRACKET . . . . .	36
FRAME WINDOW . . . . .	75	FUEL STRAINER FILTER . . . . .	173
FRAME WINDOW . . . . .	76	FUEL STRAINER FILTER . . . . .	174
FRAME WINDOW . . . . .	79	FUEL STRAINER TOP . . . . .	173
FRAME WINDOW . . . . .	80	FUEL STRAINER TOP . . . . .	174
FRESH AIR DUCT . . . . .	11	FUEL SYSTEM . . . . .	169
FRESH AIR INLET . . . . .	11	FUEL SYSTEM . . . . .	170
FRONT DOORPOST BULKHEAD . . . . .	31	FUEL SYSTEM . . . . .	171
FRONT DOORPOST BULKHEAD . . . . .	32	FUEL TANK . . . . .	16
FRONT SEAT . . . . .	93	FUEL TANK . . . . .	17
FRONT SEAT . . . . .	94	FUEL TANK ADAPTER . . . . .	16
FRONT SEAT BELT . . . . .	117	FUEL TANK DRAIN ADAPTER . . . . .	16
FRONT SEAT INFINITE ADJUST . . . . .	93	FUEL TANK DRAIN PLUG . . . . .	16
FRONT SEAT INFINITE ADJUST . . . . .	94	FUEL TANK DRAIN VALVE . . . . .	17
FRONT SPAR . . . . .	24	FUEL TANK STRAINER . . . . .	16
FRONT SPAR BLOCK . . . . .	112	FUEL TANK VENT LINE . . . . .	169
FRONT SPAR STRUT FITTING . . . . .	12	FUEL TRANSMITTER . . . . .	9
FRONT SPAR STRUT FITTING . . . . .	13	FUEL TRANSMITTER GASKET . . . . .	16
FUEL CAP . . . . .	9	FUEL VENT LINE . . . . .	102
FUEL CAP . . . . .	16	FUEL VENT LINE . . . . .	102A
FUEL CELL INTEGRAL . . . . .	9	FUEL VENT LINE . . . . .	170
FUEL DISTRIBUTOR . . . . .	175	FUEL VENT LINE . . . . .	171
FUEL GAGE . . . . .	98	FUSE . . . . .	101A

# 182 & T182 Parts Catalog

## ALPHABETICAL INDEX

NOMENCLATURE	FIGURE	NOMENCLATURE	FIGURE
<b>F (Cont)</b>		<b>G (Cont)</b>	
FUSE . . . . .	185	GROUND STRAP BATTERY . . . . .	128
FUSE CLOCK . . . . .	184	GROUND STRAP ENGINE . . . . .	126
FUSE CLOCK . . . . .	185	GYRO DIRECTIONAL . . . . .	98
FUSE EXTERNAL POWER . . . . .	184	GYRO DIRECTIONAL . . . . .	99
FUSELAGE . . . . .	26	GYRO DIRECTIONAL . . . . .	100
FUSELAGE . . . . .	27	GYRO DIRECTIONAL . . . . .	101
FUSELAGE . . . . .	44	GYRO DIRECTIONAL . . . . .	101A
FUSELAGE EQUIPMENT . . . . .	112	GYRO DIRECTIONAL . . . . .	102
FUSELAGE SOUNDPROOFING . . . . .	90	GYRO DIRECTIONAL . . . . .	102A
FUSELAGE SOUNDPROOFING . . . . .	90A	GYRO DIRECTIONAL . . . . .	178
FUSELAGE STRUCTURE FORWARD . . . . .	28	GYRO DIRECTIONAL . . . . .	179
FUSELAGE STRUCTURE FORWARD . . . . .	29	GYRO DIRECTIONAL . . . . .	180
FUSELAGE TAILCONE . . . . .	50	GYRO DIRECTIONAL . . . . .	180A
FUSELAGE TAILCONE . . . . .	51	GYRO DIRECTIONAL . . . . .	180B
		GYRO HORIZON . . . . .	98
		GYRO HORIZON . . . . .	99
		GYRO HORIZON . . . . .	100
		GYRO HORIZON . . . . .	101
		GYRO HORIZON . . . . .	101A
		GYRO HORIZON . . . . .	102
		GYRO HORIZON . . . . .	102A
		GYRO HORIZON . . . . .	178
		GYRO HORIZON . . . . .	179
		GYRO HORIZON . . . . .	180
		GYRO HORIZON . . . . .	180A
		GYRO HORIZON . . . . .	180B
<b>G</b>		<b>H</b>	
GAGE-SEE INDIVIDUAL LISTING . . . . .		HANDLE ASSIST . . . . .	86
GAS CAP-SEE FUEL CAP . . . . .		HANDLE CABIN DOOR . . . . .	87
GAS GAGE-SEE INSTRUMENT PANEL . . . . .		HANDLE FUEL SELECTOR . . . . .	169
GASKET ADHESIVE . . . . .	1	HANDLE FUEL SELECTOR VALVE . . . . .	169
GASKET FUEL TRANSMITTER . . . . .	16	HANDLE INSIDE DOOR . . . . .	75
GASKET OIL COOLER . . . . .	126	HANDLE INSIDE DOOR . . . . .	77
GASKET OIL COOLER . . . . .	129	HANDLE INSIDE DOOR . . . . .	79
GEAR MAIN LANDING . . . . .	69	HANDLE LIFT . . . . .	112
GEAR SELECTOR VALVE . . . . .	169	HANDLE PARKING BRAKE . . . . .	148
GEAR SELECTOR VALVE . . . . .	170	HANDLE SEAT . . . . .	93
GLARE SHIELD . . . . .	98	HANDLE SEAT . . . . .	94
GLARESHIELD . . . . .	99	HANDLE SEAT ADJUST . . . . .	91
GLARESHIELD . . . . .	100	HANDLE SEAT ADJUST . . . . .	92
GLARESHIELD . . . . .	101	HANDLE SEAT ADJUST . . . . .	93
GLARESHIELD . . . . .	101A	HANDLE SEAT ADJUST . . . . .	94
GLARESHIELD . . . . .	102	HANDLE WINDOW . . . . .	75
GLARESHIELD . . . . .	102A	HANDLE WINDOW . . . . .	79
GLARESHIELD LIGHT . . . . .	186	HANGER COAT . . . . .	84
GLARESHIELD LIGHT . . . . .	187	HANGER COAT . . . . .	85
GLASS WINDOW . . . . .	75	HARNES IGNITION . . . . .	129
GLASS WINDOW . . . . .	79	HARNES IGNITION . . . . .	130
GLOVE BOX . . . . .	111A	HARNES SHOULDER . . . . .	117
GOVERNOR BASE . . . . .	131	HEADLINER . . . . .	84
GOVERNOR BODY . . . . .	131	HEADLINER . . . . .	85
GOVERNOR COVER . . . . .	131	HEADLINER . . . . .	85A
GOVERNOR PROPELLER . . . . .	126	HEADLINER RETAINER . . . . .	48
GOVERNOR PROPELLER . . . . .	128	HEADLINER RETAINER . . . . .	49
GOVERNOR PROPELLER . . . . .	129	HEADLINER WIRE . . . . .	85A
GOVERNOR PROPELLER . . . . .	130	HEADREST . . . . .	91
GOVERNOR PROPELLER . . . . .	131	HEADREST . . . . .	92
GREASE SEAL FELT . . . . .	64	HEADREST . . . . .	93
GREASE SEAL FELT . . . . .	65	HEADREST . . . . .	94
GREASE SEAL FELT . . . . .	66	HEADREST . . . . .	95
GREASE SEAL FELT . . . . .	71	HEADREST . . . . .	96
GREASE SEAL FELT . . . . .	72	HEATER . . . . .	134
GREASE SEAL FELT . . . . .	73	HEATER DUCT . . . . .	28
GREASE SEAL FELT . . . . .	74		
GRILL SPEAKER . . . . .	188		
GROMMET ASBESTOS . . . . .	38		
GROMMET FIREWALL . . . . .	38		
GROMMET FIREWALL . . . . .	39		
GROMMETS FIREWALL . . . . .	38		
GROMMETS FIREWALL . . . . .	39		
GROUND CABLE . . . . .	185		
GROUND STRAP . . . . .	16		
GROUND STRAP . . . . .	126		
GROUND STRAP . . . . .	184		
GROUND STRAP . . . . .	198		
GROUND STRAP . . . . .	199		

# 182 & T182 Parts Catalog

## ALPHABETICAL INDEX

NOMENCLATURE	FIGURE	NOMENCLATURE	FIGURE
<b>H</b> (Cont)		<b>H</b> (Cont)	
HEATER DUCT . . . . .	36	HOW TO ORDER PARTS-SEE INTRODUCTION . . . . .	
HEATER DUCT . . . . .	37	HOW TO ORDER UPHOL PARTS-PAGE XII . . . . .	
HEATER DUCT . . . . .	134	HOW TO READ FINISH & TRIM-PAGE IV . . . . .	
HEATER PITOT . . . . .	166	HOW TO USE CATALOG-SEE INTRODUCTION . . . . .	
HEATING & DEFROSTING SYSTEM CABIN . . . . .	146	HUB ALIGNMENT DOWEL . . . . .	121
HEATING & DEFROSTING SYSTEM CABIN . . . . .	147	HUB CAP . . . . .	58
HEATING CABIN . . . . .	146	HUB CAP . . . . .	59
HEATING CABIN . . . . .	147	HUB CAP . . . . .	69
HEATING PLUG . . . . .	98	HUB CAP . . . . .	70
HEATING PLUG . . . . .	99	HUB CAP NOSE GEAR . . . . .	58
HEATING PLUG . . . . .	100	HUB CAP NOSE WHEEL . . . . .	59
HEATING PLUG . . . . .	101		
HEATING PLUG . . . . .	102		
HINGE AILERON . . . . .	18	<b>I</b>	
HINGE DOOR STOP . . . . .	75	IDLER SPROCKET . . . . .	155
HINGE DOOR STOP . . . . .	77	IGNITION HARNESS . . . . .	129
HINGE DOOR STOP . . . . .	79	IGNITION HARNESS . . . . .	130
HINGE FLAP MOTOR . . . . .	163	IGNITION SWITCH KIT . . . . .	98
HINGE HALF ELEVATOR . . . . .	25	IGNITION SWITCH KIT . . . . .	99
HINGE HALF TRIM TAB . . . . .	25	IGNITION SWITCH KIT . . . . .	100
HINGE STABILIZER ATTACH . . . . .	24	IGNITION SWITCH KIT . . . . .	101
HINGE WINDOW . . . . .	75	IGNITION SWITCH KIT . . . . .	101A
HINGE WINDOW . . . . .	76	IGNITION SWITCH KIT . . . . .	102
HINGE WINDOW . . . . .	79	IGNITION SWITCH KIT . . . . .	102A
HINGE WINDOW . . . . .	80	INDICATOR-SEE INSTRUMENT PANEL . . . . .	
HOLDING EYEBOLT . . . . .	112	INDUCTION AIRBOX . . . . .	137
HOLDER APPROACH PLATE . . . . .	154	INERTIA REEL . . . . .	118
HOLDER APPROACH PLATE . . . . .	154A	INERTIA REEL . . . . .	118A
HOLDER FUSE . . . . .	184	INLET AIR VENT . . . . .	28
HOOK GLIDER TOW . . . . .	112	INLET AIR VENT . . . . .	144
HOOK STRIP . . . . .	31	INLET AIR VENT . . . . .	145
HORIZON GYRO . . . . .	98	INLET FRESH AIR . . . . .	11
HORIZON GYRO . . . . .	99	INSIDE DOOR HANDLE . . . . .	75
HORIZON GYRO . . . . .	100	INSIDE DOOR HANDLE . . . . .	77
HORIZON GYRO . . . . .	101	INSIDE DOOR HANDLE . . . . .	79
HORIZON GYRO . . . . .	101A	INSTRUMENT CLUSTER . . . . .	98
HORIZON GYRO . . . . .	102	INSTRUMENT CLUSTER . . . . .	99
HORIZON GYRO . . . . .	102A	INSTRUMENT CLUSTER . . . . .	100
HORIZON GYRO . . . . .	178	INSTRUMENT CLUSTER . . . . .	101
HORIZON GYRO . . . . .	179	INSTRUMENT CLUSTER . . . . .	101A
HORIZON GYRO . . . . .	180	INSTRUMENT CLUSTER . . . . .	102
HORIZON GYRO . . . . .	180A	INSTRUMENT CLUSTER . . . . .	102A
HORIZON GYRO . . . . .	180B	INSTRUMENT CLUSTER BULB . . . . .	98
HORIZONTAL BAFFLE . . . . .	124	INSTRUMENT CLUSTER BULB . . . . .	99
HORIZONTAL BAFFLE . . . . .	135	INSTRUMENT CLUSTER BULB . . . . .	100
HORN STALL WARNING . . . . .	111	INSTRUMENT CLUSTER BULB . . . . .	101A
HORN STALL WARNING . . . . .	184	INSTRUMENT CLUSTER BULB . . . . .	102
HORN STALL WARNING . . . . .	185	INSTRUMENT CLUSTER BULB . . . . .	102A
HOSE BRAKE . . . . .	148	INSTRUMENT CLUSTER LIGHT . . . . .	101
HOSE CARBURETOR HEAT . . . . .	126	INSTRUMENT CLUSTER LIGHT . . . . .	101A
HOSE FUEL . . . . .	1	INSTRUMENT CLUSTER LIGHT . . . . .	102
HOSE FUEL . . . . .	171	INSTRUMENT CLUSTER LIGHT . . . . .	102A
HOSE FUEL PRESSURE . . . . .	128	INSTRUMENT CLUSTER LIGHT . . . . .	109
HOSE MANIFOLD PRESSURE . . . . .	128	INSTRUMENT DIMMING RESISTOR . . . . .	98
HOSE OIL PRESSURE . . . . .	126	INSTRUMENT DIMMING RESISTOR . . . . .	99
HOSE OIL PRESSURE . . . . .	127	INSTRUMENT DIMMING RESISTOR . . . . .	100
HOSE OIL PRESSURE . . . . .	128	INSTRUMENT DIMMING RESISTOR . . . . .	101
HOSE OIL PRESSURE . . . . .	177	INSTRUMENT DIMMING RESISTOR . . . . .	102
HOSES-SEE APPLICABLE SYSTEM . . . . .		INSTRUMENT PANEL . . . . .	103
HOURLY GAGE . . . . .	98	INSTRUMENT PANEL . . . . .	104
HOURLY GAGE . . . . .	99	INSTRUMENT PANEL . . . . .	105
HOURLY GAGE . . . . .	100	INSTRUMENT PANEL . . . . .	187
HOURLY GAGE . . . . .	101	INSTRUMENT PANEL COVER . . . . .	98
HOURLY GAGE . . . . .	101A	INSTRUMENT PANEL COVER . . . . .	99
HOURLY GAGE . . . . .	102	INSTRUMENT PANEL COVER . . . . .	100
HOURLY GAGE . . . . .	102A	INSTRUMENT PANEL COVER . . . . .	101
HOURLY SWITCH . . . . .	127		
HOURLY SWITCH . . . . .	177		

# 182 & T182 Parts Catalog

## ALPHABETICAL INDEX

NOMENCLATURE	FIGURE	NOMENCLATURE	FIGURE
<b>I</b> (Cont)		<b>L</b> (Cont)	
INSTRUMENT PANEL COVER. . . . .	101A	LAMP CONSOLE. . . . .	195
INSTRUMENT PANEL COVER. . . . .	102	LAMP CONSOLE. . . . .	195A
INSTRUMENT PANEL COVER. . . . .	102A	LAMP DOME LIGHT . . . . .	184
INSTRUMENT PANEL EQUIPMENT. . . . .	98	LAMP DOME LIGHT . . . . .	185
INSTRUMENT PANEL EQUIPMENT. . . . .	99	LAMP TAIL LIGHT . . . . .	57
INSTRUMENT PANEL EQUIPMENT. . . . .	100	LAMPS-SEE BULBS . . . . .	
INSTRUMENT PANEL EQUIPMENT. . . . .	101	LAMPS-SEE LIGHTS. . . . .	
INSTRUMENT PANEL EQUIPMENT. . . . .	101A	LANDING GEAR BULKHEAD . . . . .	45
INSTRUMENT PANEL EQUIPMENT. . . . .	102	LANDING GEAR MAIN . . . . .	69
INSTRUMENT PANEL EQUIPMENT. . . . .	102A	LANDING GEAR MAIN . . . . .	70
INSTRUMENT PANEL LIGHT. . . . .	188	LANDING GEAR MAIN . . . . .	74
INSTRUMENT PANEL STATIONARY . . . . .	103	LANDING GEAR WHEEL & BRAKE MAIN . . . . .	74
INSTRUMENT PANEL STATIONARY . . . . .	104	LANDING LIGHT . . . . .	30
INSTRUMENT PANEL STATIONARY . . . . .	105	LANDING LIGHT . . . . .	196
INSTRUMENT PANEL STATIONARY . . . . .	105A	LANDING LIGHT . . . . .	197
INSTRUMENT PANEL STATIONARY . . . . .	106	LANDING LIGHTS. . . . .	196
INSTRUMENT PANEL STATIONARY . . . . .	106A	LARGE OIL COOLER. . . . .	126
INSTRUMENT-SEE INDIVIDUAL LISTINGS. . . . .		LATCH BAGGAGE DOOR. . . . .	83
INTEGRAL FUEL CELL. . . . .	9	LATCH CABIN DOOR. . . . .	81
<b>J</b>		LATCH CABIN DOOR. . . . .	82
JACK MICROPHONE-SEE ELECT MANUAL. . . . .		LATCH CARGO TIE DOWN. . . . .	112
JACK POINT. . . . .	6	LATCH COWL DOOR . . . . .	123
JACK-HEADSET-SEE ELECT MANUAL . . . . .		LATCH COWL DOOR . . . . .	124
JAMB DOOR . . . . .	31	LATCH MAP COMPARTMENT . . . . .	111A
JAMB DOOR . . . . .	32	LATCH PUSH BUTTON . . . . .	83
JAMB DOOR . . . . .	83	LATCH SEAT BELT . . . . .	97
<b>K</b>		LATCH WINDOW. . . . .	75
KIT IGNITION SWITCH . . . . .	98	LATCH WINDOW. . . . .	76
KIT IGNITION SWITCH . . . . .	99	LATCH WINDOW. . . . .	80
KIT IGNITION SWITCH . . . . .	100	LEAD THERMOCOUPLE . . . . .	98
KIT IGNITION SWITCH . . . . .	101	LEAD THERMOCOUPLE . . . . .	99
KIT IGNITION SWITCH . . . . .	101A	LEAD THERMOCOUPLE . . . . .	100
KIT IGNITION SWITCH . . . . .	102	LEAD THERMOCOUPLE . . . . .	101
KIT IGNITION SWITCH . . . . .	102A	LEAD THERMOCOUPLE . . . . .	101A
KIT SEAT ROLLER . . . . .	91	LEAD THERMOCOUPLE . . . . .	102
KIT SEAT ROLLER . . . . .	92	LEAD THERMOCOUPLE . . . . .	102A
KITS-SEE ACCESSORY KIT CATALOG. . . . .		LEADING EDGE SKIN . . . . .	10
KNOB LIGHTER. . . . .	98	LEADING EDGE SKIN . . . . .	11
KNOB LIGHTER. . . . .	99	LEADING EDGE SKIN . . . . .	21
KNOB LIGHTER. . . . .	100	LEADING EDGE WING . . . . .	10
KNOB LIGHTER. . . . .	101	LEADING EDGE WING . . . . .	11
KNOB LIGHTER. . . . .	102	LENS CLEAR. . . . .	57
KNOB OXYGEN CONTROL . . . . .	181	LENS DOME LIGHT . . . . .	184
KNOB OXYGEN CONTROL . . . . .	182	LENS DOME LIGHT . . . . .	185
KNOB PRIMER . . . . .	98	LENS STROBE . . . . .	5
KNOB PRIMER . . . . .	99	LENS STROBE . . . . .	6
KNOB PRIMER . . . . .	100	LENS WING NAVIGATION LIGHT. . . . .	5
KNOB PRIMER . . . . .	101	LENS WING NAVIGATION LIGHT. . . . .	6
KNOB PRIMER . . . . .	101A	LEVER COWL FLAP . . . . .	155
KNOB PRIMER . . . . .	102	LEVER COWL FLAP . . . . .	156
KNOB RHEO STAT . . . . .	153	LEVER COWL FLAP . . . . .	156A
KNOB RHEO STAT . . . . .	154	LEVER FLAP. . . . .	164
KNOB SILENCER . . . . .	144	LEVER SPEED ADJUSTMENT . . . . .	131
KNOBS-SEE INDIVIDUAL APPLICATIONS . . . . .		LEVER THROTTLE. . . . .	139
<b>L</b>		LID BATTERY BOX . . . . .	53
LAMP CONSOLE. . . . .	188	LIFT HANDLE . . . . .	112
		LIGHT COURTESY. . . . .	190
		LIGHT FILTER. . . . .	98
		LIGHT FILTER. . . . .	99
		LIGHT FILTER. . . . .	100
		LIGHT FILTER. . . . .	101
		LIGHT FILTER. . . . .	101A
		LIGHT FILTER. . . . .	102
		LIGHT FILTER. . . . .	102A
		LIGHT FLASHING BEACON . . . . .	189
		LIGHT GLARESHIELD . . . . .	186
		LIGHT GLARESHIELD . . . . .	187
		LIGHT INSTRUMENT CLUSTER. . . . .	101

182 & T182 Parts Catalog

ALPHABETICAL INDEX

Table with columns: NOMENCLATURE, FIGURE, NOMENCLATURE, FIGURE. Contains two main sections: L (Cont) and M (Cont). L (Cont) lists parts like LIGHT INSTRUMENT CLUSTER (101A), LIGHTER CIGAR (98), LIMIT SWITCHES-SEE SWITCHES (72), etc. M (Cont) lists parts like MAGAZINE POCKET (93), MAGNETO (129), MAIN GEAR WHEEL (73), MANIFOLD PRESSURE GAGE (98), MAP COMPARTMENT (111), etc.

# 182 & T182 Parts Catalog

## ALPHABETICAL INDEX

NOMENCLATURE	FIGURE	NOMENCLATURE	FIGURE
<b>M</b> (Cont)		<b>N</b> (Cont)	
MASTER SWITCH DIODE . . . . .	98	NOSE GEAR LOWER FITTING . . . . .	28
MASTER SWITCH DIODE . . . . .	99	NOSE GEAR SHOCK STRUT PLACARD . . . . .	3
MASTER SWITCH DIODE . . . . .	100	NOSE GEAR SHOCK STRUT PLACARD . . . . .	4
MASTER SWITCH DIODE . . . . .	184	NOSE GEAR STEERING . . . . .	61
MCCAULEY PROPELLER . . . . .	121	NOSE GEAR STEERING SYSTEM . . . . .	61
MCCAULEY PROPELLER . . . . .	121A	NOSE GEAR STRUT . . . . .	63
MCCAULEY PROPELLER . . . . .	122	NOSE GEAR SUPPORT . . . . .	30
METERING PIN . . . . .	62	NOSE GEAR TRUNNION . . . . .	63
METERING PIN . . . . .	63	NOSE GEAR UPPER FITTING . . . . .	28
METERING PIN BASE . . . . .	62	NOSE GEAR WHEEL . . . . .	64
MIKE SWITCH . . . . .	152	NOSE GEAR WHEEL . . . . .	65
MIKE SWITCH . . . . .	153	NOSECAP . . . . .	124
MIKE SWITCH . . . . .	154	NOZZLE DEFROST . . . . .	146
MIKE SWITCH . . . . .	154A	NOZZLE DEFROSTER . . . . .	147
MIKE SWITCH . . . . .	154B		
MIRROR & COVER . . . . .	116	<b>O</b>	
MIXTURE CONTROL . . . . .	98	OIL COOLER . . . . .	128
MIXTURE CONTROL . . . . .	99	OIL COOLER . . . . .	129
MIXTURE CONTROL . . . . .	100	OIL COOLER . . . . .	130
MIXTURE CONTROL . . . . .	101	OIL COOLER BAFFLE . . . . .	135
MIXTURE CONTROL . . . . .	101A	OIL COOLER GASKET . . . . .	126
MIXTURE CONTROL . . . . .	102	OIL COOLER GASKET . . . . .	129
MIXTURE CONTROL . . . . .	102A	OIL COOLER LARGE . . . . .	126
MIXTURE CONTROL . . . . .	125	OIL COOLER LARGE . . . . .	129
MIXTURE CONTROL . . . . .	127	OIL COOLER PLATE . . . . .	126
MOLDING AFT WINDOW . . . . .	84	OIL COOLER PLATE . . . . .	129
MOLDING WINDOW . . . . .	84	OIL DOOR . . . . .	123
MOLDING WINDOW . . . . .	85	OIL FILTER . . . . .	128
MOORING EYEBOLT . . . . .	56	OIL FILTER . . . . .	177
MOORING RING . . . . .	20	OIL FILTER ADAPTOR . . . . .	177
MOTOR FLAP ACTUATOR . . . . .	163	OIL FILTER PLACARD . . . . .	3
MOUNT ENGINE . . . . .	126	OIL FILTER PLACARD . . . . .	4
MOUNT ENGINE . . . . .	128	OIL FILTER PLACARD . . . . .	177
MOUNT ENGINE SHOCK . . . . .	126	OIL GAGE . . . . .	130
MOUNT INSTRUMENT PANEL SHOCK . . . . .	105A	OIL OUTLET ADAPTER . . . . .	138
MOUNT INSTRUMENT PANEL SHOCK . . . . .	106A	OIL PLACARD . . . . .	4
MOUNT SHOCK . . . . .	30	OIL PRESSURE GAGE . . . . .	98
MOUNT SHOCK . . . . .	103	OIL PRESSURE GAGE . . . . .	99
MOUNT SHOCK . . . . .	104	OIL PRESSURE GAGE . . . . .	100
MOUNT SHOCK . . . . .	105	OIL PRESSURE GAGE . . . . .	101
MOUNT SHOCK . . . . .	105A	OIL PRESSURE GAGE . . . . .	101A
MOUNT SHOCK . . . . .	106	OIL PRESSURE GAGE . . . . .	102
MOUNT SHOCK . . . . .	106A	OIL PRESSURE GAGE . . . . .	102A
MOUNT SHOCK . . . . .	123	OIL PRESSURE GAGE . . . . .	177
MUFFLER . . . . .	132	OIL PRESSURE GAGE . . . . .	126
MUFFLER EXHAUST . . . . .	133	OIL PRESSURE HOSE . . . . .	127
		OIL PRESSURE HOSE . . . . .	128
		OIL PRESSURE HOSE . . . . .	177
		OIL PRESSURE HOSE . . . . .	101
		OIL PRESSURE LINE . . . . .	101A
		OIL PRESSURE LINE . . . . .	102
		OIL PRESSURE LINE . . . . .	102A
		OIL PRESSURE LINE . . . . .	127
		OIL PRESSURE LINE . . . . .	177
		OIL QUICK DRAIN VALVE . . . . .	126
		OIL SYSTEM . . . . .	177
		OIL TEMP GAGE . . . . .	98
		OIL TEMP GAGE . . . . .	99
		OIL TEMP GAGE . . . . .	100
		OIL TEMP GAGE . . . . .	101
		OIL TEMP GAGE . . . . .	101A
		OIL TEMP GAGE . . . . .	102
		OIL TEMP GAGE . . . . .	102A
		OIL TEMP GAGE . . . . .	177
		OIL TEMPERATURE ADAPTER . . . . .	125
<b>N</b>			
NAMEPLATE AIRCRAFT IDENTIFICATION . . . . .	26		
NAMEPLATE CESSNA . . . . .	3		
NAMEPLATE CESSNA . . . . .	4		
NAMEPLATES & EXTERIOR MARKINGS . . . . .	3		
NAMEPLATES & EXTERIOR MARKINGS . . . . .	4		
NAVOMATIC—SEE ELECTRONICS MANUAL . . . . .			
NET BAGGAGE . . . . .	88		
NOSE CAP LOWER . . . . .	123		
NOSE CAP UPPER . . . . .	123		
NOSE FITTING PITOT TUBE . . . . .	166		
NOSE GEAR . . . . .	58		
NOSE GEAR . . . . .	59		
NOSE GEAR . . . . .	66		
NOSE GEAR DRAG FITTING . . . . .	30		
NOSE GEAR FAIRING . . . . .	28		
NOSE GEAR FITTING . . . . .	28		
NOSE GEAR FITTING . . . . .	30		

# 182 & T182 Parts Catalog

## ALPHABETICAL INDEX

NOMENCLATURE	FIGURE	NOMENCLATURE	FIGURE
<b>O</b> (Cont)		<b>P</b> (Cont)	
OPERATIONAL LIMITATIONS PLACARD . . . . .	3	PANEL SHOCK MOUNTED . . . . .	105
OPERATIONAL LIMITATIONS PLACARD . . . . .	4	PANEL SHOCK MOUNTED . . . . .	105A
ORIFICE PISTON SUPPORT . . . . .	62	PANEL SHOCK MOUNTED . . . . .	106
OUTBOARD AUXILIARY SPAR . . . . .	12	PANEL SHOCK MOUNTED . . . . .	106A
OUTLET CABIN AIR . . . . .	145	PANEL SOUNDPROOFING . . . . .	90
OUTLET CABIN AIR . . . . .	145A	PANEL SOUNDPROOFING . . . . .	90A
OUTLET CABIN VENTILATION . . . . .	144	PANEL STATIONARY . . . . .	28
OUTLET CABIN VENTILATION . . . . .	145	PANEL SWITCH . . . . .	103
OUTLET OXYGEN VALVE . . . . .	181	PANEL SWITCH . . . . .	104
OUTLET OXYGEN VALVE . . . . .	182	PANEL SWITCH . . . . .	105
OUTLET OXYGEN VALVE . . . . .	183	PANEL SWITCH . . . . .	105A
OUTSIDE AIR TEMPERATURE GAGE . . . . .	112	PANEL SWITCH . . . . .	106
OUTSIDE AIR TEMPERATURE GAGE . . . . .	145	PANEL SWITCH . . . . .	106A
OUTSIDE AIR VENT . . . . .	144	PANEL TRIM . . . . .	86
OUTSIDE AIR VENT . . . . .	145	PANEL TRIM . . . . .	87
OUTSIDE AIR VENT . . . . .	145A	PANEL TRIM . . . . .	88
OUTSIDE AIR VENT FWD . . . . .	145	PANEL TRIM . . . . .	89
OUTSIDE AIR VENT FWD . . . . .	145A	PANEL WING . . . . .	14
OVERHEAD CONSOLE . . . . .	85A	PARKING BRAKE . . . . .	148
OVERHEAD CONSOLE BULB . . . . .	188	PARKING BRAKE BRACKET . . . . .	148
OVERVOLTAGE SENSOR . . . . .	184	PARKING BRAKE HANDLE . . . . .	148
OVERVOLTAGE SENSOR . . . . .	185	PARKING BRAKE SUPPORT . . . . .	148
OXYGEN CONTROL KNOB . . . . .	181	PANEL SEAT BACK . . . . .	91
OXYGEN CONTROL KNOB . . . . .	182	PEDAL BRAKE . . . . .	149
OXYGEN LINE . . . . .	183	PEDAL BRAKE . . . . .	149A
OXYGEN MASK CASE . . . . .	181	PEDAL BRAKE & RUDDER . . . . .	149
OXYGEN MASK CASE . . . . .	182	PEDAL BRAKE & RUDDER . . . . .	149A
OXYGEN MASK CASE . . . . .	183	PEDAL EXTENSION . . . . .	149
OXYGEN PRESSURE GAGE . . . . .	181	PEDESTAL . . . . .	93
OXYGEN PRESSURE GAGE . . . . .	182	PEDESTAL . . . . .	94
OXYGEN PRESSURE GAGE . . . . .	183	PILOT & CO PILOT SEAT . . . . .	91
OXYGEN REGULATOR . . . . .	181	PILOT CHECK LIST . . . . .	3
OXYGEN REGULATOR . . . . .	182	PILOT SEAT . . . . .	91
OXYGEN SYSTEM . . . . .	181	PILOT SEAT . . . . .	92
OXYGEN SYSTEM . . . . .	182	PIN METERING . . . . .	62
OXYGEN SYSTEM . . . . .	183	PIN METERING . . . . .	63
		PIPE EXHAUST . . . . .	132
<b>P</b>		PISTON MASTER CYLINDER . . . . .	150
PAD CONTROL WHEEL . . . . .	152	PISTON SHIMMY DAMPENER . . . . .	68
PAD CONTROL WHEEL . . . . .	154	PISTON SUPPORT ORIFICE . . . . .	62
PAIN-SEE FINISH & TRIM PLATE-PAGE IV		PITOT HEATER . . . . .	166
PAINTED PARTS-HOW TO ORDER-PAGE XII		PITOT HEATER SWITCH . . . . .	166
PANEL BAGGAGE DOOR . . . . .	88	PITOT SYSTEM . . . . .	166
PANEL BAGGAGE DOOR . . . . .	89	PITOT TUBE . . . . .	166
PANEL EQUIPMENT INSTRUMENT . . . . .	98	PITOT TUBE CONNECTOR . . . . .	10
PANEL EQUIPMENT INSTRUMENT . . . . .	99	PITOT TUBE CONNECTOR . . . . .	11
PANEL EQUIPMENT INSTRUMENT . . . . .	100	PITOT TUBE CONNECTOR . . . . .	166
PANEL EQUIPMENT INSTRUMENT . . . . .	101	PLACARDS SEE FIG 2 . . . . .	
PANEL EQUIPMENT INSTRUMENT . . . . .	101A	PLATE BAGGAGE DOOR SCUFF . . . . .	88
PANEL EQUIPMENT INSTRUMENT . . . . .	102	PLATE BAGGAGE DOOR SCUFF . . . . .	89
PANEL EQUIPMENT INSTRUMENT . . . . .	102A	PLATE DEFROST DEFLECTOR . . . . .	84
PANEL INSTRUMENT . . . . .	103	PLATE DEFROST DEFLECTOR . . . . .	85
PANEL INSTRUMENT . . . . .	104	PLATE DOOR SCUFF . . . . .	88
PANEL INSTRUMENT . . . . .	105	PLATE DOOR SCUFF . . . . .	89
PANEL INSTRUMENT . . . . .	187	PLATE FINISH & TRIM . . . . .	26
PANEL LIGHT BRACKET . . . . .	188	PLATE OIL COOLER . . . . .	126
PANEL LIGHT HOUSING . . . . .	188	PLATE OIL COOLER . . . . .	129
PANEL LIGHT INSTRUMENT . . . . .	188	PLATE PRESSURE . . . . .	71
PANEL REMOVABLE . . . . .	103	PLATE PRESSURE . . . . .	72
PANEL REMOVABLE . . . . .	104	PLATE PRESSURE . . . . .	73
PANEL REMOVABLE . . . . .	105A	PLATE PRESSURE . . . . .	74
PANEL REMOVABLE . . . . .	106	PLATE SCUFF . . . . .	83
PANEL REMOVABLE . . . . .	106A	PLATE SCUFF . . . . .	88
PANEL SHOCK MOUNTED . . . . .	103	PLATE SCUFF . . . . .	89
PANEL SHOCK MOUNTED . . . . .	104	PLUG BUTTON ANTI FRICTION . . . . .	19
		PLUG FUEL TANK DRAIN . . . . .	16
		PLUG HEATING . . . . .	98
		PLUG HEATING . . . . .	99



# 182 & T182 Parts Catalog

## ALPHABETICAL INDEX

NOMENCLATURE	FIGURE	NOMENCLATURE	FIGURE
<b>P</b> (Cont)		<b>P</b> (Cont)	
PLUG HEATING. . . . .	100	PROBE CARBURETOR AIR TEMP . . . . .	126
PLUG HEATING. . . . .	101	PROBE CARBURETOR AIR TEMP . . . . .	128
PLUG HEATING. . . . .	102	PROBE ECONOMY POWER . . . . .	125
PLUG SPARK. . . . .	129	PROBE EXHAUST GAS TEMP. . . . .	98
PLUG SPARK. . . . .	130	PROBE EXHAUST GAS TEMP. . . . .	99
PLUG VOLTAGE REGULATOR. . . . .	184	PROBE EXHAUST GAS TEMP. . . . .	100
POCKET MAGAZINE . . . . .	91	PROBE EXHAUST GAS TEMP. . . . .	101
POCKET MAGAZINE . . . . .	92	PROBE EXHAUST GAS TEMP. . . . .	101A
POCKET MAGAZINE . . . . .	93	PROBE EXHAUST GAS TEMP. . . . .	102
POCKET MAGAZINE . . . . .	94	PROBE EXHAUST GAS TEMP. . . . .	102A
POINT JACK. . . . .	6	PROBE EXHAUST GAS TEMP. . . . .	127
PORTABLE STRETCHER. . . . .	114	PROPELLER . . . . .	120
POST LIGHT. . . . .	107	PROPELLER & SPINNER . . . . .	121A
POST LIGHT. . . . .	108	PROPELLER & SPINNER . . . . .	122
POST LIGHT. . . . .	109	PROPELLER ANTI ICE. . . . .	119B
POST LIGHT. . . . .	109A	PROPELLER ANTI ICE. . . . .	119C
POST LIGHT. . . . .	110	PROPELLER CONTROL . . . . .	98
POST LIGHT. . . . .	110A	PROPELLER CONTROL . . . . .	99
POST LIGHT BULB . . . . .	107	PROPELLER CONTROL . . . . .	100
POST LIGHT BULB . . . . .	108	PROPELLER CONTROL . . . . .	101
POST LIGHT BULB . . . . .	109	PROPELLER CONTROL . . . . .	101A
POST LIGHT BULB . . . . .	109A	PROPELLER CONTROL . . . . .	102
POST LIGHT BULB . . . . .	110A	PROPELLER CONTROL . . . . .	102A
POST LIGHTED INSTRUMENT PANEL . . . . .	107	PROPELLER CONTROL . . . . .	125
POST LIGHTED INSTRUMENT PANEL . . . . .	108	PROPELLER GOVERNOR. . . . .	126
POST LIGHTED INSTRUMENT PANEL . . . . .	109	PROPELLER GOVERNOR. . . . .	128
POST LIGHTED INSTRUMENT PANEL . . . . .	109A	PROPELLER GOVERNOR. . . . .	129
POST LIGHTED INSTRUMENT PANEL . . . . .	110	PROPELLER GOVERNOR. . . . .	130
POST LIGHTED INSTRUMENT PANEL . . . . .	110A	PROPELLER GOVERNOR. . . . .	131
POST LIGHTS RESISTOR. . . . .	109	PROPELLER MCCAULEY. . . . .	121
POWER RECEPTACLE EXTERNAL . . . . .	198	PROPELLER MCCAULEY. . . . .	121A
POWER RECEPTACLE EXTERNAL . . . . .	199	PROPELLER MCCAULEY. . . . .	122
POWER SUPPLY ELECTROLUMINESCENT . . . . .	184	PULL DOOR . . . . .	87
POWER SUPPLY ELECTROLUMINESCENT . . . . .	185	PULLEY ELEVATOR . . . . .	159
POWER SUPPLY ELECTROLUMINESCENT PANEL . . . . .	184	PULLEYS-SEE APPLICABLE SYSTEM . . . . .	
POWER SUPPLY ELECTROLUMINESCENT PANEL . . . . .	185	PUMP FUEL . . . . .	130
POWER SUPPLY STROBE LIGHT . . . . .	184	PUMP FUEL . . . . .	171
POWER SUPPLY STROBE LIGHT . . . . .	185	PUMP VACUUM . . . . .	178
PRESSURE PLATE. . . . .	71	PUMP VACUUM . . . . .	179
PRESSURE PLATE. . . . .	72	PUMP VACUUM . . . . .	180
PRESSURE PLATE. . . . .	73	PUMP VACUUM . . . . .	180A
PRESSURE PLATE. . . . .	74	PUMP VACUUM . . . . .	180B
PRIMER. . . . .	1	PUMP VACUUM . . . . .	180C
PRIMER. . . . .	176	PUSH BUTTON LATCH . . . . .	83
PRIMER ENGINE . . . . .	98	PUSH ROD DOOR LATCH . . . . .	76
PRIMER ENGINE . . . . .	99	PUSH ROD DOOR LATCH . . . . .	78
PRIMER ENGINE . . . . .	100	PUSH ROD DOOR LATCH . . . . .	80
PRIMER ENGINE . . . . .	101		
PRIMER ENGINE . . . . .	101A	<b>Q</b>	
PRIMER ENGINE . . . . .	102	QUADRANT. . . . .	151
PRIMER ENGINE . . . . .	102A		
PRIMER FUEL . . . . .	176	<b>R</b>	
PRIMER FUEL . . . . .	176A	RADIO COVER . . . . .	99
PRIMER KNOB . . . . .	98	RADIO COVER . . . . .	100
PRIMER KNOB . . . . .	99	RADIO COVER . . . . .	101
PRIMER KNOB . . . . .	100	RADIO COVER . . . . .	101A
PRIMER KNOB . . . . .	101	RADIO COVER . . . . .	102
PRIMER KNOB . . . . .	101A	RADIO COVER . . . . .	102A
PRIMER KNOB . . . . .	102	RADIO CUTOUT COVER. . . . .	98
PRIMER LINE . . . . .	125	RADIO SHELF . . . . .	50
PRIMER LINE . . . . .	169	RADIO SHELF . . . . .	51
PRIMER LINE . . . . .	170	RADIO SPEAKER . . . . .	188
PRIMER LINE . . . . .	176		
PRIMER LINE . . . . .	176A		
PRIMER LINE . . . . .	175		
PRIMER SYSTEM FUEL. . . . .	1		
PRIMER ZINC CHROMATE. . . . .	1		
PROBE CARBURETOR AIR. . . . .	126		
PROBE CARBURETOR AIR. . . . .	128		

# 182 & T182 Parts Catalog

## ALPHABETICAL INDEX

NOMENCLATURE	FIGURE	NOMENCLATURE	FIGURE
<b>R (Cont)</b>		<b>R (Cont)</b>	
RADIOS-SEE CESSNA ELECTRONICS MANUAL.		RESISTOR VARIABLE TANDEM.	102A
RAIL SEAT . . . . .	44	RETAINER HEADLINER. . . . .	48
REAR DOORPOST BULKHEAD. . . . .	42	RETAINER HEADLINER. . . . .	49
REAR DOORPOST BULKHEAD. . . . .	43	RETAINER REAR WINDOW. . . . .	40
REAR DOORPOST CHANNEL . . . . .	42	RETAINER SEAT BOTTOM. . . . .	91
REAR DOORPOST CHANNEL . . . . .	43	RETAINER WINDOW . . . . .	40
REAR SEAT . . . . .	95	RETAINER WINDOW . . . . .	41
REAR SEAT . . . . .	96	RETAINER WINDOW . . . . .	77
REAR SEAT . . . . .	96A	RETAINER WINDOW . . . . .	78
REAR SEAT BACK. . . . .	95	RETAINER WINDOW Moulding. . . . .	77
REAR SEAT BELT. . . . .	117	RETAINER WINDOW Moulding. . . . .	78
REAR SEAT BOTTOM. . . . .	95	RETAINER WINDSHIELD . . . . .	46
REAR SEAT VENTS . . . . .	144	RETAINER WINDSHIELD . . . . .	47
REAR SEAT VENTS . . . . .	145	RHEOSTAT KNOB . . . . .	153
REAR SPAR . . . . .	12	RHEOSTAT KNOB . . . . .	154
REAR SPAR . . . . .	23	RHEOSTAT MAP LIGHT. . . . .	152
REAR SPAR . . . . .	24	RHEOSTAT MAP LIGHT. . . . .	153
REAR SPAR . . . . .	42	RHEOSTAT MAP LIGHT. . . . .	154
REAR SPAR BLOCK . . . . .	112	RHEOSTAT MAP LIGHT. . . . .	154A
REAR VIEW MIRROR. . . . .	116	RIBS-SEE APPLICABLE STRUCTURE . . . . .	
REAR WINDOW . . . . .	48	RIGHT CABIN DOOR. . . . .	79
REAR WINDOW . . . . .	49	RIGHT CABIN DOOR. . . . .	80
REAR WINDOW RETAINER. . . . .	40	RING MOORING. . . . .	20
RECEIVER ASH. . . . .	88	RING TRUE AIRSPEED. . . . .	101A
RECEIVER ASH. . . . .	89	RING TRUE AIRSPEED. . . . .	102
RECEPTACLE EXTERNAL POWER . . . . .	184	RING TRUE AIRSPEED. . . . .	102A
RECEPTACLE EXTERNAL POWER . . . . .	198	RISER EXHAUST . . . . .	134
RECEPTACLE EXTERNAL POWER . . . . .	199	RIVET SET KIT . . . . .	72
RECLINING ADJUSTMENT HANDLE . . . . .	91	RIVET SET KIT . . . . .	73
REEL INERTIA. . . . .	118	ROD AILERON PUSH PULL . . . . .	18
REEL INERTIA. . . . .	118A	ROD DOOR LATCH PUSH . . . . .	76
REGULATOR OXYGEN. . . . .	181	ROD DOOR LATCH PUSH . . . . .	78
REGULATOR OXYGEN. . . . .	182	ROD DOOR LATCH PUSH . . . . .	80
REGULATOR VOLTAGE . . . . .	129	ROD END THROTTLE CONTROL. . . . .	125
REGULATOR VOLTAGE . . . . .	161	ROD END THROTTLE CONTROL. . . . .	139
REGULATOR VOLTAGE . . . . .	184	ROD FLAP PUSH . . . . .	19
REGULATOR VOLTAGE . . . . .	185	ROD FLAP PUSH PULL. . . . .	19
RELAY SPLIT BUS BAR . . . . .	184	ROD SHIMMY DAMPENER . . . . .	67
RELIEF VALVE FILTER . . . . .	179	ROLLER CURTAIN. . . . .	84
REMOVABLE PANEL . . . . .	103	RUDDER. . . . .	23
REMOVABLE PANEL . . . . .	104	RUDDER BALANCE WEIGHT . . . . .	23
REMOVABLE PANEL . . . . .	105A	RUDDER BAR. . . . .	61
REMOVABLE PANEL . . . . .	106	RUDDER BAR CARPET . . . . .	88
REMOVABLE PANEL . . . . .	106A	RUDDER BAR CARPET . . . . .	89
RESISTOR. . . . .	98	RUDDER BAR SHIELD . . . . .	88
RESISTOR. . . . .	99	RUDDER BAR SHIELD . . . . .	89
RESISTOR. . . . .	100	RUDDER BELL CRANK. . . . .	23
RESISTOR. . . . .	101	RUDDER CONTROL SYSTEM . . . . .	165
RESISTOR. . . . .	101A	RUDDER RIB. . . . .	23
RESISTOR. . . . .	102A	RUDDER TIP CAP. . . . .	23
RESISTOR. . . . .	109	RUDDER TRIM INDICATOR . . . . .	155
RESISTOR. . . . .	109A	RUDDER TRIM INDICATOR . . . . .	156
RESISTOR. . . . .	110A	RUDDER TRIM INDICATOR . . . . .	156A
RESISTOR. . . . .	185	RUDDER TRIM WHEEL . . . . .	155
RESISTOR CIGAR LIGHTER. . . . .	185	RUDDER TRIM WHEEL . . . . .	156
RESISTOR EXTERNAL POWER . . . . .	184	RUDDER TRIM WHEEL . . . . .	156A
RESISTOR FLASHING BEACON. . . . .	189		
RESISTOR INSTRUMENT DIMMING . . . . .	98	<b>S</b>	
RESISTOR INSTRUMENT DIMMING . . . . .	99	SAFETY BELT . . . . .	97
RESISTOR INSTRUMENT DIMMING . . . . .	100	SAFETY BELT-ALSO SEE SEAT BELTS . . . . .	
RESISTOR INSTRUMENT DIMMING . . . . .	101	SCOOP AIR . . . . .	10
RESISTOR INSTRUMENT DIMMING . . . . .	102	SCOOP AIR . . . . .	144
RESISTOR POST LIGHTS . . . . .	109	SCOOP AIR . . . . .	145
RESISTOR VARIABLE . . . . .	101A	SCOOP CABIN AIR VENT. . . . .	10
RESISTOR VARIABLE . . . . .	102	SCOOP CABIN AIR VENT. . . . .	11
RESISTOR VARIABLE . . . . .	102A		
RESISTOR VARIABLE . . . . .	109A		
RESISTOR VARIABLE . . . . .	110A		

# 182 & T182 Parts Catalog

## ALPHABETICAL INDEX

NOMENCLATURE	FIGURE	NOMENCLATURE	FIGURE
<b>S (Cont)</b>		<b>S (Cont)</b>	
SCRAPER WHEEL FAIRING . . . . .	69	SENSOR OVERVOLTAGE . . . . .	184
SCRAPER WHEEL FAIRING . . . . .	70	SENSOR OVERVOLTAGE . . . . .	185
SCUFF PLATE . . . . .	83	SET KIT RIVET . . . . .	72
SCUFF PLATE . . . . .	88	SET KIT RIVET . . . . .	73
SCUFF PLATE . . . . .	89	SHAFT FUEL SELECTOR . . . . .	170
SCUFF PLATE BAGGAGE DOOR . . . . .	88	SHAFT FUEL SELECTOR . . . . .	171
SCUFF PLATE BAGGAGE DOOR . . . . .	89	SHAFT TACHOMETER . . . . .	98
SCUFF PLATE DOOR . . . . .	88	SHAFT TACHOMETER . . . . .	99
SCUFF PLATE DOOR . . . . .	89	SHAFT TACHOMETER . . . . .	100
SEAL BAGGAGE DOOR . . . . .	40	SHAFT TACHOMETER . . . . .	101
SEAL BAGGAGE DOOR . . . . .	41	SHAFT TACHOMETER . . . . .	101 A
SEAL BAGGAGE DOOR . . . . .	90	SHAFT TACHOMETER . . . . .	102
SEAL BAGGAGE DOOR . . . . .	90A	SHAFT TACHOMETER . . . . .	102A
SEAL FELT GREASE . . . . .	64	SHELF RADIO . . . . .	50
SEAL FELT GREASE . . . . .	65	SHELF RADIO . . . . .	51
SEAL FELT GREASE . . . . .	66	SHELF REMOVABLE BAGGAGE . . . . .	84
SEAL FELT GREASE . . . . .	72	SHIELD CABLE . . . . .	31
SEAL FELT GREASE . . . . .	73	SHIELD CABLE . . . . .	32
SEAL FELT GREASE . . . . .	74	SHIELD CABLE . . . . .	84
SEAL WINDOW . . . . .	48	SHIELD CABLE . . . . .	85
SEAL WINDOW . . . . .	49	SHIELD FIREWALL . . . . .	38
SEALANT . . . . .	1	SHIELD FIREWALL GROMMET . . . . .	38
SEAT AUXILIARY . . . . .	97	SHIELD FIREWALL GROMMET . . . . .	39
SEAT BACK CAM . . . . .	91	SHIELD GLARE . . . . .	98
SEAT BACK CAM . . . . .	95	SHIMMY DAMPENER . . . . .	67
SEAT BACK PAWL . . . . .	91	SHIMMY DAMPENER . . . . .	68
SEAT BACK RECLINE CAM . . . . .	91	SHOCK MOUNT . . . . .	30
SEAT BACK RECLINE CAM . . . . .	95	SHOCK MOUNT . . . . .	103
SEAT BACK TABLE . . . . .	113	SHOCK MOUNT . . . . .	104
SEAT BELT . . . . .	97	SHOCK MOUNT . . . . .	105
SEAT BELT . . . . .	117	SHOCK MOUNT . . . . .	105A
SEAT BELT FITTING . . . . .	26	SHOCK MOUNT . . . . .	106
SEAT BELT FITTING . . . . .	27	SHOCK MOUNT . . . . .	106A
SEAT BELT FITTING . . . . .	117	SHOCK MOUNT . . . . .	123
SEAT BELT LATCH . . . . .	97	SHOCK MOUNT ENGINE . . . . .	126
SEAT FRONT . . . . .	93	SHOCK MOUNT INSTRUMENT PANEL . . . . .	105A
SEAT FRONT . . . . .	94	SHOCK MOUNT INSTRUMENT PANEL . . . . .	106A
SEAT INFINITE ADJUST FRONT . . . . .	93	SHOCK MOUNTED ALTERNATOR . . . . .	191
SEAT INFINITE ADJUST FRONT . . . . .	94	SHOCK MOUNTED PANEL . . . . .	103
SEAT PILOT . . . . .	91	SHOCK MOUNTED PANEL . . . . .	104
SEAT PILOT . . . . .	92	SHOCK MOUNTED PANEL . . . . .	105
SEAT PILOT & CO PILOT . . . . .	91	SHOCK MOUNTED PANEL . . . . .	105A
SEAT RAIL . . . . .	44	SHOCK MOUNTED PANEL . . . . .	106
SEAT REAR . . . . .	95	SHOCK MOUNTED PANEL . . . . .	106A
SEAT REAR . . . . .	96	SHOCK STRUT LOWER . . . . .	62
SEAT REAR . . . . .	96A	SHOCK STRUT LOWER . . . . .	63
SEAT ROLLER KIT . . . . .	91	SHOCK STRUT NOSE GEAR . . . . .	62
SEAT ROLLER KIT . . . . .	92	SHOULDER HARNESS . . . . .	117
SEAT STOP . . . . .	91	SHROUD CARB HEAT . . . . .	126
SEAT STOP . . . . .	92	SHROUD CARBURETOR HEAT . . . . .	137
SEAT STOP . . . . .	93	SHROUD EXHAUST MUFFLER . . . . .	132
SEAT STOP . . . . .	94	SHROUD EXHAUST MUFFLER . . . . .	133
SELECTOR VALVE FUEL . . . . .	169	SHROUD HALF HEATER . . . . .	134
SELECTOR VALVE FUEL . . . . .	172	SHUNT . . . . .	119B
SELECTOR VALVE FUEL . . . . .	172A	SHUNT . . . . .	119C
SELECTOR VALVE GEAR . . . . .	169	SIDE & FLOORBOARD UPHOLSTERY CABIN . . . . .	88
SELECTOR VALVE GEAR . . . . .	170	SIDE WINDOW . . . . .	48
SENDING UNIT CYLINDER HEAD TEMP . . . . .	98	SIDE WINDOW . . . . .	49
SENDING UNIT CYLINDER HEAD TEMP . . . . .	99	SILENCER AIR VENT . . . . .	144
SENDING UNIT CYLINDER HEAD TEMP . . . . .	100	SILENCER ESCUTCHEON . . . . .	144
SENDING UNIT CYLINDER HEAD TEMP . . . . .	101	SILENCER KNOB . . . . .	144
SENDING UNIT CYLINDER HEAD TEMP . . . . .	101A	SILL DOOR . . . . .	44
SENDING UNIT CYLINDER HEAD TEMP . . . . .	102	SILL DOOR . . . . .	83
SENDING UNIT CYLINDER HEAD TEMP . . . . .	102A	SILL DOOR . . . . .	84
SENDING UNIT CYLINDER HEAD TEMP . . . . .	126	SILL DOOR . . . . .	85
SENDING UNIT CYLINDER HEAD TEMP . . . . .	128	SILL LOWER BAGGAGE DOOR . . . . .	44
SENDING UNIT OIL TEMP . . . . .	125	SKINS & STRINGERS . . . . .	14
SENDING UNIT OIL TEMP . . . . .	128	SKINS & STRINGERS . . . . .	15

# 182 & T182 Parts Catalog

## ALPHABETICAL INDEX

NOMENCLATURE	FIGURE	NOMENCLATURE	FIGURE
<b>S (Cont)</b>		<b>S (Cont)</b>	
SKINS & STRINGERS WING. . . . .	14	STARTER . . . . .	130
SKINS-SEE APPLICABLE STRUCTURE. . . . .		STARTER CONTACTOR . . . . .	184
SKYLIGHT WINDOW . . . . .	41	STARTER CONTACTOR . . . . .	185
SKYLIGHT WINDOW . . . . .	84	STARTER CONTACTOR CABLE . . . . .	185
SKYLIGHT WINDOW . . . . .	85	STATIC DISCHARGER . . . . .	5
SOCKET MAP LIGHT. . . . .	152	STATIC DISCHARGER . . . . .	18
SOCKET MAP LIGHT. . . . .	153	STATIC DISCHARGER . . . . .	25
SOCKET MAP LIGHT. . . . .	154	STATIC SOURCE ALTERNATE . . . . .	166
SOCKET MAP LIGHT. . . . .	154A	STATIC SOURCE SUMP. . . . .	166
SOUND DEADENER. . . . .	1	STATIONARY INSTRUMENT PANEL . . . . .	103
SOUNDPROOFING . . . . .	84	STATIONARY INSTRUMENT PANEL . . . . .	104
SOUNDPROOFING . . . . .	85	STATIONARY INSTRUMENT PANEL . . . . .	105
SOUNDPROOFING . . . . .	90	STATIONARY INSTRUMENT PANEL . . . . .	105A
SOUNDPROOFING . . . . .	90A	STATIONARY INSTRUMENT PANEL . . . . .	106
SOUNDPROOFING FIBERGLASS. . . . .	90	STATIONARY INSTRUMENT PANEL . . . . .	106A
SOUNDPROOFING FIBERGLASS. . . . .	90A	STATIONARY INSTRUMENT PANEL STRUCTURE . . . . .	103
SOUNDPROOFING FUSELAGE. . . . .	90	STATIONARY INSTRUMENT PANEL STRUCTURE . . . . .	104
SOUNDPROOFING FUSELAGE. . . . .	90A	STATIONARY INSTRUMENT PANEL STRUCTURE . . . . .	105
SOUNDPROOFING FUSELAGE. . . . .	90A	STATIONARY INSTRUMENT PANEL STRUCTURE . . . . .	105A
SOUNDPROOFING PANEL . . . . .	90	STATIONARY INSTRUMENT PANEL STRUCTURE . . . . .	106
SOUNDPROOFING PANEL . . . . .	90A	STATIONARY INSTRUMENT PANEL STRUCTURE . . . . .	106A
SPACER AXLE . . . . .	58	STATIONARY PANEL. . . . .	28
SPAR CARRY THRU . . . . .	43	STEERING BOOT . . . . .	28
SPAR CARRY THRU REAR. . . . .	43	STEERING SYSTEM NOSE GEAR . . . . .	60
SPAR FLAP . . . . .	19	STEP. . . . .	69
SPAR FRONT. . . . .	24	STEP. . . . .	70
SPAR OUTBOARD AUXILIARY . . . . .	12	STEP. . . . .	115
SPAR REAR . . . . .	12	STEP STRUT. . . . .	115
SPAR REAR . . . . .	23	STEP TREAD. . . . .	69
SPAR REAR . . . . .	24	STEP TREAD. . . . .	70
SPAR REAR . . . . .	42	STICK OIL DIP . . . . .	126
SPAR WING . . . . .	13	STINGER . . . . .	57
SPAR WING FRONT . . . . .	12	STOP CABIN DOOR . . . . .	75
SPAR WING REAR. . . . .	12	STOP CABIN DOOR . . . . .	77
SPARK PLUG. . . . .	129	STOP CABIN DOOR . . . . .	79
SPARK PLUG. . . . .	130	STOP DOOR . . . . .	103
SPEAKER GRILL . . . . .	188	STOP SEAT . . . . .	91
SPEAKER RADIO . . . . .	188	STOP SEAT . . . . .	92
SPEAKER-RADIO-SEE ELECTRONICS MANUAL. . . . .		STOP SEAT . . . . .	93
SPEED FAIRING . . . . .	58	STOP SEAT . . . . .	94
SPEED FAIRING . . . . .	59	STRAINER DRAIN CONTROL. . . . .	173
SPEED FAIRING NOSE GEAR . . . . .	58	STRAINER DRAIN CONTROL. . . . .	174
SPEED FAIRING NOSE GEAR . . . . .	59	STRAINER DRAIN LINE . . . . .	170
SPINNER BULKHEAD. . . . .	121A	STRAINER FUEL . . . . .	9
SPINNER BULKHEAD. . . . .	122	STRAINER FUEL . . . . .	36
SPINNER DOME. . . . .	120	STRAINER FUEL . . . . .	173
SPINNER DOME. . . . .	121A	STRAINER FUEL . . . . .	174
SPINNER DOME. . . . .	122	STRAINER FUEL TANK. . . . .	16
SPINNER DOME. . . . .	120	STRAP BATTERY GROUND. . . . .	128
SPINNER SUPPORT . . . . .	120	STRAP BATTERY GROUND. . . . .	184
SPLIT BUS BAR RELAY . . . . .	184	STRAP BATTERY GROUND. . . . .	200
SPROCKET IDLER. . . . .	155	STRAP BATTERY GROUND. . . . .	201
SPROCKET RUDDER TRIM. . . . .	61	STRAP BATTERY GROUND. . . . .	202
SPROCKET RUDDER TRIM. . . . .	155	STRAP BONDING . . . . .	18
SQUAT SWITCH. . . . .	63	STRAP BONDING . . . . .	23
STAB ILIZER. . . . .	24	STRAP BONDING . . . . .	25
STABILIZER FAIRING. . . . .	24	STRAP ENGINE GROUND . . . . .	126
STABILIZER FITTING. . . . .	24	STRAP GROUND. . . . .	16
STABILIZER TIP. . . . .	24	STRAP GROUND. . . . .	126
STACK CENTER. . . . .	133	STRAP GROUND. . . . .	184
STACK EXHAUST . . . . .	132	STRAP GROUND. . . . .	198
STACK EXHAUST . . . . .	133	STRAP GROUND. . . . .	199
STACK LH EXHAUST. . . . .	134	STRAP GROUND. . . . .	114
STAINLESS CABLES-SEE SPECIFIC SYSTEM. . . . .		STRETCHER PORTABLE. . . . .	43
STALL WARNING HORN. . . . .	111	STRIKER PLATE . . . . .	76
STALL WARNING HORN. . . . .	184	STRIKER PLATE . . . . .	83
STALL WARNING HORN. . . . .	185	STRIKER PLATE . . . . .	83
STALL WARNING HORN BRACKET. . . . .	185	STRIKER PLATE . . . . .	86
STARTER . . . . .	119B		
STARTER . . . . .	129		

# 182 & T182 Parts Catalog

## ALPHABETICAL INDEX

NOMENCLATURE	FIGURE	NOMENCLATURE	FIGURE
<b>S (Cont)</b>		<b>S (Cont)</b>	
STRIP HOOK . . . . .	31	SWITCH UTILITY . . . . .	184
STROBE LENS . . . . .	5	SWITCH VACUUM . . . . .	180A
STROBE LENS . . . . .	6	SWITCH VACUUM . . . . .	180B
STROBE TUBE . . . . .	5	SWITCHES-SEE INSTRUMENT PANEL . . . . .	
STROBE TUBE . . . . .	6	SYSTEMS-SEE INDIVIDUAL LISTINGS . . . . .	
STRUT LOWER SHOCK . . . . .	62		
STRUT LOWER SHOCK . . . . .	63	<b>T</b>	
STRUT NOSE GEAR . . . . .	63	TAB ELEVATOR TRIM . . . . .	25
STRUT NOSE GEAR SHOCK . . . . .	62	TABLE SEAT BACK . . . . .	113
STRUT STEP . . . . .	115	TACHOMETER . . . . .	98
STRUT WING . . . . .	20	TACHOMETER . . . . .	99
SUCTION GAGE . . . . .	98	TACHOMETER . . . . .	100
SUCTION GAGE . . . . .	99	TACHOMETER . . . . .	101
SUCTION GAGE . . . . .	100	TACHOMETER . . . . .	101A
SUCTION GAGE . . . . .	101	TACHOMETER . . . . .	102
SUCTION GAGE . . . . .	101A	TACHOMETER . . . . .	102A
SUCTION GAGE . . . . .	102	TACHOMETER SHAFT . . . . .	98
SUCTION GAGE . . . . .	102A	TACHOMETER SHAFT . . . . .	99
SUCTION GAGE . . . . .	178	TACHOMETER SHAFT . . . . .	100
SUCTION GAGE . . . . .	180	TACHOMETER SHAFT . . . . .	101
SUCTION GAGE . . . . .	180A	TACHOMETER SHAFT . . . . .	101A
SUCTION GAGE . . . . .	180B	TACHOMETER SHAFT . . . . .	102
SUMP STATIC SOURCE . . . . .	166	TACHOMETER SHAFT . . . . .	102A
SUN VISOR . . . . .	112	TAIL LIGHT . . . . .	57
SWING CHECK VALVE . . . . .	138	TAIL LIGHT LAMP . . . . .	57
SWITCH AVIONICS POWER . . . . .	101A	TAILCONE . . . . .	51
SWITCH AVIONICS POWER . . . . .	102A	TAILCONE FUSELAGE . . . . .	50
SWITCH CONSOLE LIGHTS . . . . .	98	TAILCONE FUSELAGE . . . . .	51
SWITCH CONSOLE LIGHTS . . . . .	99	TAILCONE FUSELAGE AFT . . . . .	56
SWITCH CONSOLE LIGHTS . . . . .	100	TAILPIPE . . . . .	138
SWITCH CONSOLE LIGHTS . . . . .	185	TANK DRAIN VALVE FUEL . . . . .	17
SWITCH COURTESY LIGHT . . . . .	98	TANK FUEL . . . . .	16
SWITCH COVER . . . . .	99	TANK FUEL . . . . .	17
SWITCH COVER . . . . .	100	THERMOCOUPLE LEAD . . . . .	98
SWITCH COVER . . . . .	154	THERMOCOUPLE LEAD . . . . .	99
SWITCH COVER . . . . .	184	THERMOCOUPLE LEAD . . . . .	100
SWITCH DOME LIGHT . . . . .	185	THERMOCOUPLE LEAD . . . . .	101
SWITCH DOME LIGHT . . . . .	154	THERMOCOUPLE LEAD . . . . .	101A
SWITCH ELECTRIC TRIM . . . . .	154A	THERMOCOUPLE LEAD . . . . .	102
SWITCH ELECTRIC TRIM . . . . .	127	THERMOCOUPLE LEAD . . . . .	102A
SWITCH HOURMETER . . . . .	177	THRITTLE CONTROL . . . . .	98
SWITCH HOURMETER . . . . .	98	THRITTLE CONTROL . . . . .	99
SWITCH MAP LIGHT . . . . .	99	THRITTLE CONTROL . . . . .	100
SWITCH MAP LIGHT . . . . .	100	THRITTLE CONTROL . . . . .	101
SWITCH MAP LIGHT . . . . .	101	THRITTLE CONTROL . . . . .	101A
SWITCH MAP LIGHT . . . . .	101A	THRITTLE CONTROL . . . . .	102
SWITCH MAP LIGHT . . . . .	102	THRITTLE CONTROL . . . . .	102A
SWITCH MAP LIGHT . . . . .	102A	THRITTLE LEVER . . . . .	139
SWITCH MASTER . . . . .	98	TIARA . . . . .	84
SWITCH MASTER . . . . .	99	TIARA MOUNTING BRACKET . . . . .	40
SWITCH MASTER . . . . .	100	TIARA MOUNTING BRACKET . . . . .	41
SWITCH MASTER . . . . .	101	TIE DOWN CARGO . . . . .	112
SWITCH MASTER . . . . .	101A	TINTED WINDSHIELD . . . . .	46
SWITCH MASTER . . . . .	102	TINTED WINDSHIELD . . . . .	47
SWITCH MASTER . . . . .	102A	TIP ELEVATOR . . . . .	25
SWITCH MIKE . . . . .	152	TIP FIN . . . . .	21
SWITCH MIKE . . . . .	153	TIP FIN . . . . .	22
SWITCH MIKE . . . . .	154	TIP FIN . . . . .	189
SWITCH MIKE . . . . .	154A	TIP FLASHING BEACON FIN . . . . .	21
SWITCH MIKE . . . . .	154B	TIP FLASHING BEACON FIN . . . . .	22
SWITCH PANEL . . . . .	103	TIP STABILIZER . . . . .	24
SWITCH PANEL . . . . .	104	TIP WING . . . . .	5
SWITCH PANEL . . . . .	105	TIRE . . . . .	64
SWITCH PANEL . . . . .	105A		
SWITCH PANEL . . . . .	106		
SWITCH PANEL . . . . .	106A		
SWITCH PITOT HEATER . . . . .	166		
SWITCH SQUAT . . . . .	63		

# 182 & T182 Parts Catalog

## ALPHABETICAL INDEX

NOMENCLATURE	FIGURE	NOMENCLATURE	FIGURE
<b>T (Cont)</b>		<b>T (Cont)</b>	
TIRE . . . . .	65	TURBOCHARGED ENGINE . . . . .	127
TIRE . . . . .	66	TURBOCHARGED ENGINE . . . . .	128
TIRE . . . . .	71	TURBOCHARGER . . . . .	138
TIRE . . . . .	72	TURN & BANK INDICATOR . . . . .	98
TIRE . . . . .	73	TURN & BANK INDICATOR . . . . .	99
TIRE . . . . .	74	TURN & BANK INDICATOR . . . . .	100
TIRE PRESSURE PLACARD . . . . .	3	TURN COORDINATOR INDICATOR . . . . .	98
TIRE PRESSURE PLACARD . . . . .	4	TURN COORDINATOR INDICATOR . . . . .	99
TOP & FIREWALL UPHOLSTERY CABIN . . . . .	84	TURN COORDINATOR INDICATOR . . . . .	100
TOP & FIREWALL UPHOLSTERY CABIN . . . . .	85	TURN COORDINATOR INDICATOR . . . . .	102
TOP CABIN . . . . .	40	TURN COORDINATOR INDICATOR . . . . .	102A
TOP CABIN . . . . .	41		
TOP CABIN . . . . .	84	<b>U</b>	
TOP CABIN . . . . .	85		
TOP FORWARD CABIN . . . . .	40	UPHOLSTERY CABIN . . . . .	89
TOP FUEL STRAINER . . . . .	173	UPHOLSTERY CABIN SIDE & FLOORBOARD . . . . .	89
TOP FUEL STRAINER . . . . .	174	UPPER COWL . . . . .	123
TOP SKYLIGHT CABIN . . . . .	40	UPPER COWL . . . . .	124
TOP UPHOLSTERY CABIN . . . . .	85A	UPPER COWL & NOSE CAP . . . . .	124
TORQUE ARM NOSE GEAR STEERING . . . . .	58	UPPER SILL . . . . .	40
TORQUE LINK . . . . .	63	UPPER SILL . . . . .	41
TORQUE LOWER LINK . . . . .	62	UTILITY SWITCH . . . . .	184
TORQUE TUBE BELLCRANK . . . . .	93		
TORQUE UPPER LINK . . . . .	62	<b>V</b>	
TOW BAR . . . . .	112		
TOW HOOK GLIDER . . . . .	112	VACUUM AIR FILTER . . . . .	178
TRANSMITTER . . . . .	16	VACUUM AIR FILTER . . . . .	179
TRANSMITTER & FLDAT FUEL . . . . .	16	VACUUM AIR FILTER . . . . .	180
TRANSMITTER FUEL . . . . .	9	VACUUM AIR FILTER . . . . .	180A
TREAD STEP . . . . .	69	VACUUM AIR FILTER . . . . .	180B
TREAD STEP . . . . .	70	VACUUM PUMP . . . . .	178
TRIM CONTROL ELEVATOR . . . . .	159	VACUUM PUMP . . . . .	179
TRIM CONTROL SYSTEM ELEVATOR . . . . .	159	VACUUM PUMP . . . . .	180
TRIM TAB ACTUATOR ELEVATOR . . . . .	162	VACUUM PUMP . . . . .	180A
TRIM TAB ELEVATOR . . . . .	25	VACUUM PUMP . . . . .	180B
TRIM TAB ELEVATOR . . . . .	162	VACUUM PUMP . . . . .	178
TRIM TAB HORN . . . . .	25	VACUUM PUMP . . . . .	179
TRUE AIRSPEED INDICATOR . . . . .	98	VACUUM PUMP . . . . .	180
TRUE AIRSPEED INDICATOR . . . . .	99	VACUUM PUMP . . . . .	180A
TRUE AIRSPEED INDICATOR . . . . .	100	VACUUM PUMP . . . . .	180B
TRUE AIRSPEED INDICATOR . . . . .	101	VACUUM PUMP . . . . .	180C
TRUE AIRSPEED INDICATOR . . . . .	101A	VACUUM RELIEF FILTER . . . . .	178
TRUE AIRSPEED INDICATOR . . . . .	102	VACUUM RELIEF FILTER . . . . .	180
TRUE AIRSPEED INDICATOR . . . . .	102A	VACUUM RELIEF FILTER . . . . .	180A
TRUE AIRSPEED INDICATOR . . . . .	102A	VACUUM RELIEF VALVE . . . . .	178
TRUE AIRSPEED RING . . . . .	101A	VACUUM RELIEF VALVE . . . . .	179
TRUE AIRSPEED RING . . . . .	102	VACUUM RELIEF VALVE . . . . .	180
TRUE AIRSPEED RING . . . . .	102A	VACUUM RELIEF VALVE . . . . .	180A
TRUNNION NOSE GEAR . . . . .	63	VACUUM RELIEF VALVE . . . . .	179
TUBE AILERON CONTROL . . . . .	151	VACUUM RELIEF VALVE . . . . .	180
TUBE AIR DUCT DRAIN . . . . .	144	VACUUM RELIEF VALVE . . . . .	180A
TUBE BATTERY DRAIN . . . . .	201	VACUUM RELIEF VALVE . . . . .	180B
TUBE BATTERY DRAIN . . . . .	202	VACUUM SWITCH . . . . .	180A
TUBE CONTROL . . . . .	95	VACUUM SWITCH . . . . .	180B
TUBE CONTROL . . . . .	151	VACUUM SWITCH . . . . .	178
TUBE PITOT . . . . .	166	VACUUM SYSTEM . . . . .	178
TUBE POLYETHYLENE . . . . .	1	VACUUM SYSTEM . . . . .	179
TUBE POLYETHYLENE . . . . .	166	VACUUM SYSTEM . . . . .	180
TUBE POLYETHYLENE . . . . .	167	VACUUM SYSTEM . . . . .	180A
TUBE POLYETHYLENE . . . . .	168	VACUUM SYSTEM . . . . .	180B
TUBE SHOCK STRUT . . . . .	62	VACUUM SYSTEM . . . . .	180C
TUBE STROBE . . . . .	5	VACUUM SYSTEM . . . . .	180C
TUBE STROBE . . . . .	6	VALVE CHECK . . . . .	180C
TUBE VENT . . . . .	16	VALVE DEFROST . . . . .	146
TUNNEL CARPET . . . . .	88	VALVE DEFROSTER . . . . .	147
TUNNEL CARPET . . . . .	89	VALVE DRAIN . . . . .	17
TUNNEL COMPONENTS FRONT SECTION . . . . .	35	VALVE DRAIN . . . . .	128
TUNNEL COVER . . . . .	29	VALVE EXTENSION . . . . .	58
TUNNEL COVER . . . . .	30	VALVE EXTENSION . . . . .	59
		VALVE EXTENSION . . . . .	69
		VALVE EXTENSION . . . . .	70
		VALVE FUEL SELECTOR . . . . .	169
		VALVE OIL QUICK DRAIN . . . . .	126
		VALVE OUTLET OXYGEN . . . . .	181

# 182 & T182 Parts Catalog

## ALPHABETICAL INDEX

NOMENCLATURE	FIGURE	NOMENCLATURE	FIGURE
<b>V</b> (Cont)		<b>W</b> (Cont)	
VALVE OUTLET OXYGEN . . . . .	182	WHEEL CONTROL . . . . .	153
VALVE OUTLET OXYGEN . . . . .	183	WHEEL CONTROL . . . . .	154
VALVE SWING CHECK . . . . .	138	WHEEL CONTROL . . . . .	154A
VALVE VACUUM RELIEF . . . . .	178	WHEEL ELEVATOR TRIM . . . . .	155
VALVE VACUUM RELIEF . . . . .	179	WHEEL ELEVATOR TRIM . . . . .	156
VALVE VACUUM RELIEF . . . . .	180	WHEEL ELEVATOR TRIM . . . . .	156A
VALVE VACUUM RELIEF . . . . .	180A	WHEEL FAIRING . . . . .	69
VALVE VACUUM RELIEF . . . . .	180B	WHEEL FAIRING SCRAPER . . . . .	69
VALVE VENT . . . . .	16	WHEEL FAIRING SCRAPER . . . . .	70
VALVE WARM AIR . . . . .	146	WHEEL MAIN GEAR . . . . .	71
VALVE WARM AIR . . . . .	147	WHEEL MAIN GEAR . . . . .	72
VARIABLE RESISTOR . . . . .	101A	WHEEL MAIN GEAR . . . . .	73
VARIABLE RESISTOR . . . . .	102	WHEEL MAIN GEAR . . . . .	74
VARIABLE RESISTOR . . . . .	102A	WHEEL NOSE GEAR . . . . .	64
VARIABLE RESISTOR . . . . .	109A	WHEEL NOSE GEAR . . . . .	65
VARIABLE RESISTOR . . . . .	110A	WHEEL RUDDER TRIM . . . . .	155
VARIABLE TANDEM RESISTOR . . . . .	102A	WHEEL RUDDER TRIM . . . . .	156
VENT LINE . . . . .	9	WHEEL RUDDER TRIM . . . . .	156A
VENT LINE . . . . .	16	WINDOW . . . . .	40
VENT LINE FUEL . . . . .	170	WINDOW . . . . .	84
VENT VALVE . . . . .	16	WINDOW DOOR . . . . .	75
VENTILATION SYSTEM CABIN . . . . .	144	WINDOW DOOR . . . . .	76
VENTILATION SYSTEM CABIN . . . . .	145	WINDOW DOOR . . . . .	77
VENTILATION SYSTEM CABIN . . . . .	145A	WINDOW DOOR . . . . .	78
VERTICAL FIN . . . . .	21	WINDOW DOOR . . . . .	79
VERTICAL FIN . . . . .	22	WINDOW DOOR . . . . .	80
VERTICAL SPEED INDICATOR . . . . .	98	WINDOW DOOR . . . . .	86
VERTICAL SPEED INDICATOR . . . . .	99	WINDOW FRAME . . . . .	75
VERTICAL SPEED INDICATOR . . . . .	100	WINDOW FRAME . . . . .	76
VERTICAL SPEED INDICATOR . . . . .	101	WINDOW FRAME . . . . .	79
VERTICAL SPEED INDICATOR . . . . .	101A	WINDOW FRAME . . . . .	80
VERTICAL SPEED INDICATOR . . . . .	102	WINDOW GLASS . . . . .	75
VERTICAL SPEED INDICATOR . . . . .	102A	WINDOW GLASS . . . . .	79
VERTICAL SPEED INDICATOR . . . . .	166	WINDOW HANDLE . . . . .	75
VERTICAL SPEED INDICATOR . . . . .	167	WINDOW HANDLE . . . . .	79
VERTICAL SPEED INDICATOR . . . . .	168	WINDOW HINGE . . . . .	75
VHF ANTENNA . . . . .	22	WINDOW HINGE . . . . .	76
VIEW MIRROR REAR . . . . .	116	WINDOW HINGE . . . . .	79
VISOR SUN . . . . .	112	WINDOW HINGE . . . . .	80
VOLTAGE REGULATOR . . . . .	129	WINDOW LATCH . . . . .	75
VOLTAGE REGULATOR . . . . .	161	WINDOW LATCH . . . . .	76
VOLTAGE REGULATOR . . . . .	184	WINDOW LATCH . . . . .	80
VOLTAGE REGULATOR . . . . .	185	WINDOW MOLDING . . . . .	84
VOLTAGE REGULATOR PLUG . . . . .	184	WINDOW MOLDING . . . . .	85
		WINDOW REAR . . . . .	48
		WINDOW REAR . . . . .	49
		WINDOW SEAL . . . . .	48
		WINDOW SEAL . . . . .	49
		WINDOW SIDE . . . . .	48
		WINDOW SIDE . . . . .	49
		WINDOW SKYLIGHT . . . . .	41
		WINDOW SKYLIGHT . . . . .	84
		WINDOW SKYLIGHT . . . . .	85
		WINDSHIELD . . . . .	46
		WINDSHIELD . . . . .	47
		WINDSHIELD ANTI ICE . . . . .	119A
		WINDSHIELD RETAINER . . . . .	46
		WINDSHIELD RETAINER . . . . .	47
		WINDSHIELD TINTED . . . . .	46
		WINDSHIELD TINTED . . . . .	47
		WING . . . . .	5
		WING . . . . .	6
		WING COMPLETE . . . . .	5
		WING COMPLETE . . . . .	6
		WING FAIRING . . . . .	5
		WING FAIRING . . . . .	6
		WING FILLET . . . . .	26
		WING FILLET . . . . .	27
<b>W</b>			
WARM AIR VALVE . . . . .	146		
WARM AIR VALVE . . . . .	147		
WASTEGATE . . . . .	140		
WEDGE CABIN DOOR . . . . .	26		
WEDGE CABIN DOOR . . . . .	27		
WEIGHT AILERON BALANCE . . . . .	18		
WEIGHT ELEVATOR BALANCE . . . . .	25		
WEIGHT RUDDER BALANCE . . . . .	23		
WHEEL & BRAKE . . . . .	71		
WHEEL & BRAKE . . . . .	72		
WHEEL & BRAKE . . . . .	73		
WHEEL & BRAKE MAIN GEAR . . . . .	73		
WHEEL & BRAKE MAIN LANDING GEAR . . . . .	71		
WHEEL & BRAKE MAIN LANDING GEAR . . . . .	72		
WHEEL & SWITCHES CONTROL . . . . .	152		
WHEEL & SWITCHES CONTROL . . . . .	153		
WHEEL & SWITCHES CONTROL . . . . .	154		
WHEEL & SWITCHES CONTROL . . . . .	154A		
WHEEL CONTROL . . . . .	152		

# 182 & T182 Parts Catalog

## ALPHABETICAL INDEX

NOMENCLATURE	FIGURE	NOMENCLATURE	FIGURE
<b>W</b> (Cont)			
WING FRONT SPAR . . . . .	12		
WING NAVIGATION LIGHT BULB. . . . .	5		
WING NAVIGATION LIGHT BULB. . . . .	6		
WING NAVIGATION LIGHT LENS. . . . .	5		
WING NAVIGATION LIGHT LENS. . . . .	6		
WING PANEL. . . . .	14		
WING REAR SPAR. . . . .	12		
WING ROOT RIB . . . . .	7		
WING ROOT RIB . . . . .	9		
WING SPAR . . . . .	13		
WING SPAR FITTING . . . . .	9		
WING SPAR FITTING . . . . .	12		
WING STRINGER . . . . .	14		
WING STRUT. . . . .	20		
WING STRUT FITTING. . . . .	20		
WING TIP. . . . .	5		
WING UNIT STALL WARNING . . . . .	5		
WING UNIT STALL WARNING . . . . .	6		
WINTERIZATION EQUIPMENT . . . . .	143		
WINTERIZATION PLACARD . . . . .	3		
WINTERIZATION PLACARD . . . . .	4		
WIRE HEADLINER. . . . .	85A		



# 182 & T182 Parts Catalog

## Parts Listing

# 182 & T182 Parts Catalog

FIGURE AND INDEX NO.	PART NUMBER	DESCRIPTION							UNITS PER ASSY	USABLE ON CODE
		1	2	3	4	5	6	7		
1 - 1	C1-C2	CONLEY-WELD EPOXY BASE ADHESIVE.								
		CEMENTING ----- PLASTIC TO PLASTIC PLASTIC TO METAL FIBERGLASS TO FIBERGLASS FIBERGLASS TO METAL METAL TO METAL								
- 2	EC880	ADHESIVE-SYNTHETIC RUBBER BASE OIL RESISTANT								
		CEMENTING ----- RUBBER TO METAL SOUNDPROOFING TO METAL UPHOLSTERY TO METAL								
- 3	1024A-B	CEMENT PARTS A & B								
		CEMENTING DE-ICER ----- AND ABRASION BOOTS TO WING AND STAB ILIZER LEADING EDGES.								
- 4	1007	PRIMER								
		USED ONLY FOR PRIMING ----- AREAS WHERE DE-ICER AND ABRASION BOOTS ARE TO BE INSTALLED WITH 1024A-B.								
- 5	576.1	SEALANT-EXTRUDED PERMAGUM								
		WEATHER SEALING ----- OF CABIN								
- 6	579.6	SEALANT-EXTRUDED ZINC CHROMATE								
		WEATHER SEALING ----- OF WINDSHIELD								
- 7	S1078-1	SEALANT-SYNTHETIC RUBBER-FABRIC REINFORCED .06 THICK .50 WIDE								
		WINDSHIELD SEALING -----								
- 8	S1078-2	SEALANT-SYNTHETIC RUBBER-FABRIC REINFORCED .12 THICK .50 WIDE								
		WINDSHIELD SEALING -----								
- 9	S1078-3	SEALANT-SYNTHETIC RUBBER-FABRIC REINFORCED 2 MIL MYLAR TAPE BACKING. .06 THICK 1.50 WIDE								
		WINDSHIELD SEALING -----								
-10	EC1239A-B	SEALANT-CATALYTIC								
		GENERAL PURPOSE ----- FOR FAYING SURFACES FILLET & RIVET SEALS FUEL SEALING AND AREAS WHERE SKYDROL IS PRESENT								
-11	700	SEALANT-FIREWALL								
		SEALING FIREWALL JOINTS ----- AND OPENINGS. WITHSTANDS 2000 DEGREE TEMP FOR 5 MINUTES.								
-12	EC776	ADHESIVE-GASKET FUEL RESISTANT SYNTHETIC RUBBER BASE.								
		CEMENTING GASKETS -----								
-13	550	SOUND DEADENER-LIQUID VIBRATION DAMPENER								
		VIBRATION DAMPENING ----- CAN BE BRUSHED OR SPRAYED.								
-14	TT-P-1757	PRIMER-ZINC CHROMATE-GREEN								
		CORROSION PROOFING -----								
CONTINUED ON NEXT PAGE										

# 182 & T182 Parts Catalog

FIGURE AND INDEX NO.	PART NUMBER	DESCRIPTION							UNITS PER ASSY	USABLE ON CODE
		1	2	3	4	5	6	7		
1 -14A	EC1675A-B	SEALANT-CATALYTIC							1	
		HOPPER ADAPTER TO HOPPER CANTILEVER WING FUEL BAY								
-14B	PR0890	SEALANT-CATALYTIC ALTERNATE FOR EC1675A-B							1	
		HOPPER ADAPTER TO HOPPER CANTILEVER WING FUEL BAY								
-15	S51-4	HOSE-FUEL & OIL-1/4 ID							AR	
	S51-6	HOSE-FUEL & OIL-3/8 ID							AR	
	S51-8	HOSE-FUEL & OIL-1/2 ID							AR	
	S51-10	HOSE-FUEL & OIL-5/8 ID							AR	
	S51-12	HOSE-FUEL & OIL-3/4 ID							AR	
	S51-16	HOSE-FUEL & OIL-1.00 ID							AR	
	S51-32	HOSE-FUEL & OIL-2.00 ID							AR	
-16	S202RB	CHANNEL-EXTRUDED BLACK							AR	
	S202VW	CHANNEL-EXTRUDED WHITE							AR	
-17	S292-1	INSULATION SLEEVING-ELEC-.118 ID							AR	
	S292-2	INSULATION SLEEVING-ELEC-.133 ID							AR	
	S292-3	INSULATION SLEEVING-ELEC-.148 ID							AR	
	S292-4	INSULATION SLEEVING-ELEC-.166 ID							AR	
	S292-5	INSULATION SLEEVING-ELEC-.186 ID							AR	
	S292-6	INSULATION SLEEVING-ELEC-.208 ID							AR	
	S292-8	INSULATION SLEEVING-ELEC-.263 ID							AR	
	S292-11	INSULATION SLEEVING-ELEC-5/16 ID							AR	
	S292-12	INSULATION SLEEVING-ELEC-3/8 ID							AR	
	S292-14	INSULATION SLEEVING-ELEC-1/2 ID							AR	
	S292-16	INSULATION SLEEVING-ELEC-3/4 ID							AR	
	S292-28	INSULATION SLEEVING-ELEC-2-1/2 ID							AR	
-18	S1026BG	CLAMP-WRAP TYPE							AR	
-19	S1053E7T	DUCT-FLEXIBLE-NEOPRENE IMPREGNATED 7/8 DIA							AR	
	S1053E8T	DUCT-FLEXIBLE-NEOPRENE IMPREGNATED 1.00 DIA							AR	
	S1053E10T	DUCT-FLEXIBLE-NEOPRENE IMPREGNATED 1-1/4 DIA							AR	
	S1053K10T	DUCT-FLEXIBLE-SILICONE IMPREGNATED 1-1/4 DIA							AR	
	S1053E12T	DUCT-FLEXIBLE-NEOPRENE IMPREGNATED 1-1 1/2 DIA							AR	
	S1053K12T	DUCT-FLEXIBLE-SILICONE IMPREGNATED 1-1/2 DIA							AR	
	S1053E20T	DUCT-FLEXIBLE-NEOPRENE IMPREGNATED 2-1/2 DIA							AR	
	S1053K20T	DUCT-FLEXIBLE-SILICONE IMPREGNATED 2-1/2 DIA							AR	
	S1053E24T	DUCT-FLEXIBLE-NEOPRENE IMPREGNATED 3.00 DIA							AR	
	S1053K24T	DUCT-FLEXIBLE-SILICONE IMPREGNATED 3.00 DIA							AR	
	S1053K24W	DUCT-FLEXIBLE-SILICONE IMPREGNATED 2 PLY 3.00 DIA							AR	
	S1053E28T	DUCT-FLEXIBLE-NEOPRENE IMPREGNATED 3-1/2 DIA							AR	
	S1053K28W	DUCT-FLEXIBLE-SILICONE IMPREGNATED 2 PLY 3-1/2 DIA							AR	
	S1053E32T	DUCT-FLEXIBLE-NEOPRENE IMPREGNATED 4.00 DIA							AR	
	S1053K32T	DUCT-FLEXIBLE-SILICONE IMPREGNATED 4.00 DIA							AR	
-20	S1047-1	SEAL-SPONGE RUBBER-5/16 THICK							AR	
	S1047-2	SEAL-SPONGE RUBBER-1/4 THICK							AR	
-21	S1055-1	CHANNEL-EXTRUDED RUBBER							AR	
-22	S1071-1	TUBE-POLYETHYLENE-1/4 DIA							AR	
	S1071-3	TUBE-POLYETHYLENE-3/8 DIA							AR	
	S1071-4	TUBE-POLYETHYLENE-1/2 DIA							AR	
	S1071-5	TUBE-POLYETHYLENE-5/8 DIA							AR	
-23	S1084-1	SEAL-EXTRUDED RUBBER							AR	
-24	S1110ET	DUCT-OVAL-FLEXIBLE-NEOPRENE IMPREGNATED							AR	
-25	S1346-1	SEAL-SPONGE RUBBER							AR	
-26	S1366-1	MOULDING-EXTRUDED PLASTIC-SAND							AR	
	S1366-2	MOULDING-EXTRUDED PLASTIC-FAWN							AR	
	S1366-3	MOULDING-EXTRUDED PLASTIC-BLACK							AR	
-27	S1378-1	SEAL-SPONGE RUBBER-BEIGE							AR	
	S1378-2	SEAL-SPONGE RUBBER-CLOUD GRAY							AR	

CONTINUED ON NEXT PAGE

# 182 & T182 Parts Catalog

## Bulk Items (Cont)

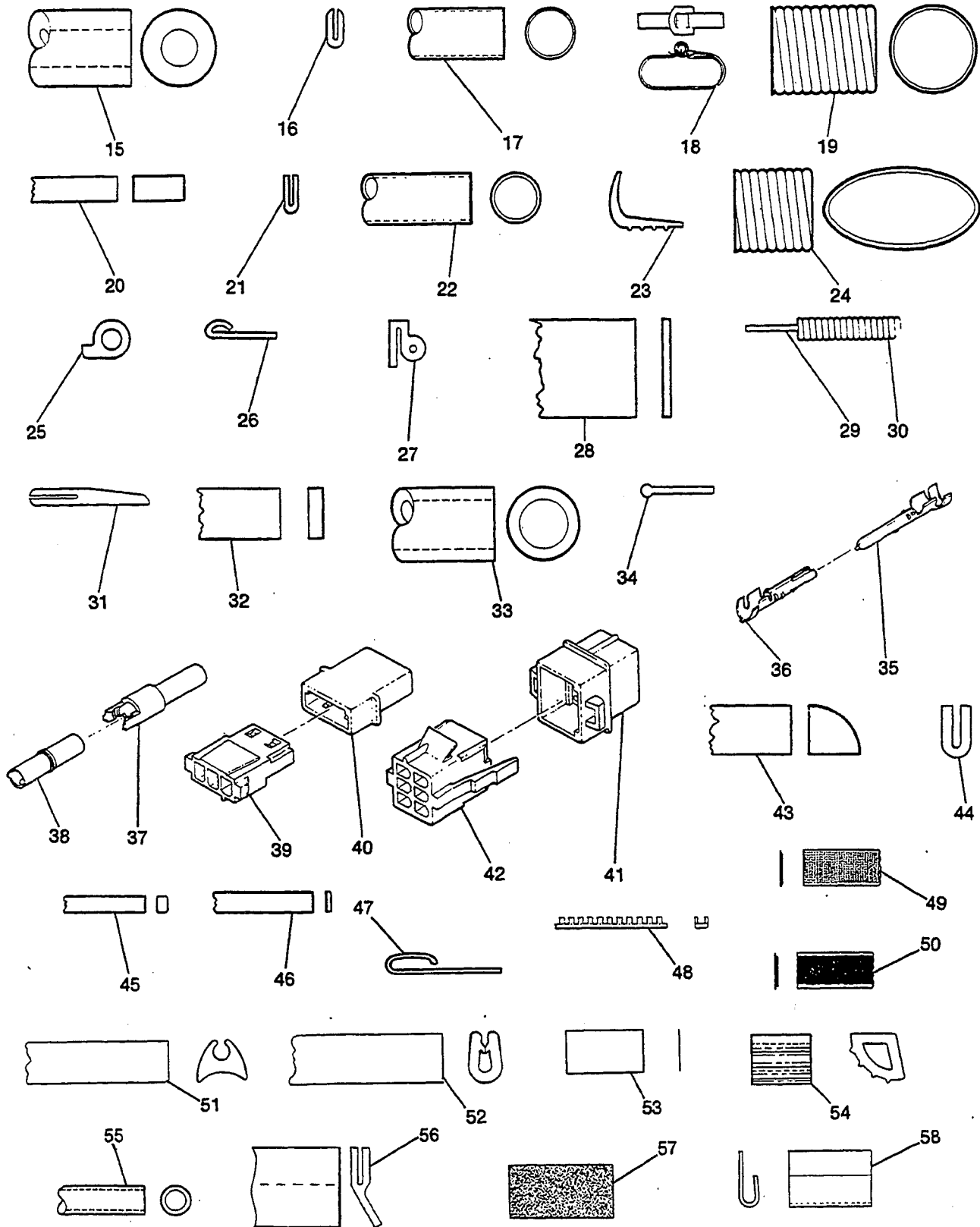


Figure 1. Miscellaneous Bulk Items

# 182 & T182 Parts Catalog

FIGURE AND INDEX NO.	PART NUMBER	DESCRIPTION							UNITS PER ASSY	USABLE ON CODE
		1	2	3	4	5	6	7		
1 -28	S1389-1	SEALER STRIP-FELT-1.00 WIDE	----	----	----	----	----	----	AR	
	S1389-2	SEALER STRIP-FELT-1/4 WIDE	----	----	----	----	----	----	AR	
	S1389-3	SEALER STRIP-FELT-2.00 WIDE	----	----	----	----	----	----	AR	
	S1389-4	SEALER STRIP-FELT-1-3/4 WIDE	----	----	----	----	----	----	AR	
	S1389-5	SEALER STRIP-FELT-1-1/4 WIDE	----	----	----	----	----	----	AR	
	S1389-6	SEALER STRIP-FELT-2-1/4 WIDE	----	----	----	----	----	----	AR	
	S1389-7	SEALER STRIP-FELT-1-3/8 WIDE	----	----	----	----	----	----	AR	
-29	S1398-1	CONTROL-PUSH PULL-WIRE	----	----	----	----	----	----	AR	
-30	S1398-2	CONTROL-PUSH PULL-CASING	----	----	----	----	----	----	AR	
-31	S1415-1	MOULDING-EXTRUDED VINYL	----	----	----	----	----	----	AR	
-32	S1441-1	SEAL-SPONGE RUBBER-3/8 WIDE	----	----	----	----	----	----	AR	
	S1441-2	SEAL-SPONGE RUBBER-1/4 WIDE	----	----	----	----	----	----	AR	
	S1441-3	SEAL-SPONGE RUBBER-1/2 WIDE	----	----	----	----	----	----	AR	
-33	S1495-3	HOSE-RUBBER-3/16 ID	----	----	----	----	----	----	AR	
	S1495-4	HOSE-RUBBER-1/4 ID	----	----	----	----	----	----	AR	
	S1495-6	HOSE-RUBBER-3/8 ID	----	----	----	----	----	----	AR	
	S1495-8	HOSE-RUBBER-1/2 ID	----	----	----	----	----	----	AR	
	S1495-10	HOSE-RUBBER-5/8 ID	----	----	----	----	----	----	AR	
-34	S1611-1	SEAL-EXTRUDED VINYL	----	----	----	----	----	----	AR	
-35	S1635-1	ELECTRICAL PIN WIRE SIZE 22-18	----	----	----	----	----	----	AR	
	S1635-2	ELECTRICAL PIN WIRE SIZE 18-14	----	----	----	----	----	----	AR	
	S1635-3	ELECTRICAL PIN WIRE SIZE 18 GA-2 WIRE	----	----	----	----	----	----	AR	
-36	S1636-1	ELECTRICAL SOCKET WIRE SIZE 22-18	----	----	----	----	----	----	AR	
	S1636-2	ELECTRICAL SOCKET WIRE SIZE 18-14	----	----	----	----	----	----	AR	
	S1636-3	ELECTRICAL SOCKET WIRE SIZE 18 GA-2 WIRE	----	----	----	----	----	----	AR	
-37	S1637-1	HOUSING-ELECTRICAL PIN	----	----	----	----	----	----	AR	
-38	S1637-2	HOUSING-ELECTRICAL SOCKET	----	----	----	----	----	----	AR	
-39	S1638-1	HOUSING-ELECTRICAL SOCKET-3 CIRCUIT	----	----	----	----	----	----	AR	
-40	S1638-2	HOUSING-ELECTRICAL PIN-3 CIRCUIT	----	----	----	----	----	----	AR	
-41	S1640-6	HOUSING-ELECTRICAL PIN-6 CAVITY	----	----	----	----	----	----	AR	
	S1640-9	HOUSING-ELECTRICAL PIN-9 CAVITY	----	----	----	----	----	----	AR	
	S1640-12	HOUSING-ELECTRICAL PIN-12 CAVITY	----	----	----	----	----	----	AR	
	S1640-15	HOUSING-ELECTRICAL PIN-15 CAVITY	----	----	----	----	----	----	AR	
	S1641-6	HOUSING-ELECTRICAL SOCKET-6 CAVITY	----	----	----	----	----	----	AR	
-42	S1641-9	HOUSING-ELECTRICAL SOCKET-9 CAVITY	----	----	----	----	----	----	AR	
	S1641-12	HOUSING-ELECTRICAL SOCKET-12 CAVITY	----	----	----	----	----	----	AR	
	S1641-15	HOUSING-ELECTRICAL SOCKET-15 CAVITY	----	----	----	----	----	----	AR	
-43	S1116	SEAL-NEOPRENE	----	----	----	----	----	----	AR	
-44	S1356	SEAL-EXTRUDED RUBBER	----	----	----	----	----	----	AR	
-45	S1614	LACING-KOROSEAL	----	----	----	----	----	----	AR	
-46	3690-1/8	FILM-BLACK VINYL-1/8 IN WIDE	----	----	----	----	----	----	AR	
	3690-1/4	FILM-BLACK VINYL-1/4 IN WIDE	----	----	----	----	----	----	AR	
	3690-1/2	FILM-BLACK VINYL-1/2 IN WIDE	----	----	----	----	----	----	AR	
-47	S1948-2-1	TRIM-EXTRUDED BLOOD GRAY	----	----	----	----	----	----	AR	
	S1948-2-2	TRIM-EXTRUDED EBONY	----	----	----	----	----	----	AR	
	S1948-2-3	TRIM-EXTRUDED SILVER TEAL BLUE	----	----	----	----	----	----	AR	
	S1948-2-4	TRIM-EXTRUDED MARGOLD	----	----	----	----	----	----	AR	
	S1948-2-5	TRIM-EXTRUDED SUN GOLD	----	----	----	----	----	----	AR	
	S1948-2-6	TRIM-EXTRUDED LIGHT OLIVE	----	----	----	----	----	----	AR	
	S1948-2-7	TRIM-EXTRUDED CLOVE BROWN	----	----	----	----	----	----	AR	
	S1948-2-8	TRIM-EXTRUDED HOLIDAY BLUE	----	----	----	----	----	----	AR	
	S1948-2-9	TRIM-EXTRUDED FIESTA RED	----	----	----	----	----	----	AR	
	S1948-2-10	TRIM-EXTRUDED PICNIC GREEN	----	----	----	----	----	----	AR	
	S1948-2-11	TRIM-EXTRUDED BOGOTA BLUE	----	----	----	----	----	----	AR	
	S1948-2-12	TRIM-EXTRUDED TAHITIAN RED	----	----	----	----	----	----	AR	
	S1948-2-13	TRIM-EXTRUDED CYPRUS GREEN	----	----	----	----	----	----	AR	
-48	S1050-1	GROMMET-CATERPILLER .056 WIDE	----	----	----	----	----	----	AR	
	S1050-2	GROMMET-CATERPILLER .090 WIDE	----	----	----	----	----	----	AR	
	S1050-3	GROMMET-CATERPILLER .131 WIDE	----	----	----	----	----	----	AR	
-49	S2092-3	FABRIC FASTENER-HOOK	----	----	----	----	----	----	AR	
-50	S2092-4	FABRIC FASTENER-PILE	----	----	----	----	----	----	AR	
-51	S1511-1	FATRING-EXTRUDED VINYL	----	----	----	----	----	----	AR	
-52	S2195-2	TRIM-MOULDING	----	----	----	----	----	----	AR	
-53	Y8562	TAPE-POLYURETHANE-1.00 WIDE	----	----	----	----	----	----	AR	
-54	S2249-1	SEAL-NEOPRENE	----	----	----	----	----	----	AR	
-55	110691	WIRE-TEFLON	----	----	----	----	----	----	AR	
-56	S2145-1	SEAL-EXTRUDED RUBBER	----	----	----	----	----	----	AR	
-57	S2108-1	SEAL-VINYL FOAM .50 X .25	----	----	----	----	----	----	AR	
	S2108-2	SEAL-VINYL FOAM .25 X .062	----	----	----	----	----	----	AR	
	S2108-3	SEAL-VINYL FOAM .38 X .25	----	----	----	----	----	----	AR	
	S2108-4	SEAL-VINYL FOAM .50 X .187	----	----	----	----	----	----	AR	
-58	S1029-1	J SECTION	----	----	----	----	----	----	AR	

182 & T182 Parts Catalog

Registration Markings

***ABCDEFGHIJKLMN  
OPQRSTUVWXYZ  
-1234567890***

LEFT HAND SLANT  
(LEFT SIDE OF AIRPLANE)

**ABCDEFGHIJKLMN  
OPQRSTUVWXYZ  
-1234567890**

RIGHT HAND SLANT  
(RIGHT SIDE OF AIRPLANE)

**ABCDEFGHIJKLMN  
OPQRSTUVWXYZ  
-1234567890**

Figure 2. (Sheet 1 of 3) Registration Markings

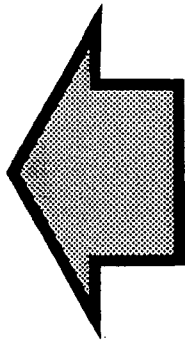
# 182 & T182 Parts Catalog

Registration Markings (Cont)

## S1500 TYPE STENCILS \* FOR SLANT GOTHIC LETTERS & NUMERALS

LETTERS AND NUMERALS ARE AVAILABLE IN 10 INCH AND 12 INCH HEIGHTS IN EITHER LEFT HAND OR RIGHT HAND SLANT.

LETTERS AVAILABLE ARE A THRU Z.  
NUMERALS AVAILABLE ARE 0 THRU 9.



### TO ORDER:

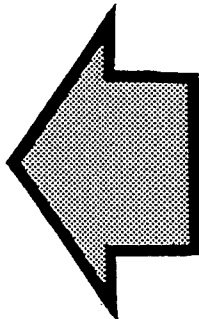
EACH LETTER OR NUMERAL WANTED MUST BE ORDERED BY GIVING BASIC PART NUMBER, FOLLOWED BY HEIGHT DESIRED, FOLLOWED BY SPECIFIC LETTER OR NUMERAL AND THE DESIGNATOR L OR R TO INDICATE LEFT OR RIGHT HAND SLANT.

### EXAMPLE:

S1500 - 10 - M L  
BASIC PART NO. | HEIGHT WANTED | DIRECTION OF SLANT LETTER WANTED

## S1600 TYPE STENCILS \* FOR VERTICAL GOTHIC LETTERS & NUMERALS

LETTERS AND NUMERALS ARE AVAILABLE IN 6 INCH, 12 INCH AND 20 INCH HEIGHTS. LETTERS AVAILABLE ARE A THRU Z. NUMERALS AVAILABLE ARE 0 THRU 9.



### TO ORDER:

EACH LETTER OR NUMERAL WANTED MUST BE ORDERED BY GIVING BASIC PART NUMBER, FOLLOWED BY HEIGHT DESIRED, FOLLOWED BY SPECIFIC LETTER OR NUMERAL WANTED.

### EXAMPLE:

S1600 - 20 - N  
BASIC PART NO. | HEIGHT WANTED | LETTER WANTED

\* EACH STENCIL PROVIDES FOR EITHER  
BACKGROUND OR CENTER MASK.

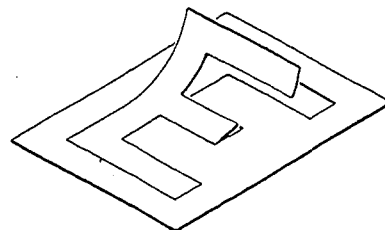


Figure 2. (Sheet 2 of 3) Registration Markings

# 182 & T182 Parts Catalog

Registration Markings (Cont)

**ABCDEFGHIJKLMN  
OPQRSTUVWXYZ  
1234567890**

## S2400 TYPE DECALS\*

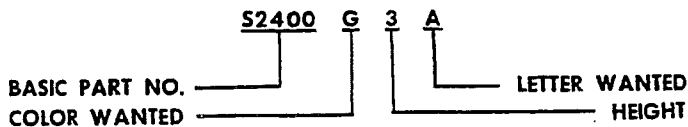
### 3 INCH VERTICAL GOTHIC LETTERS & NUMERALS

LETTERS & NUMERALS ARE 3 INCHES IN HEIGHT AND AVAILABLE IN WHITE (W), GOLD (G) OR BRONZE (B). LETTERS AVAILABLE ARE A THRU Z. NUMERALS AVAILABLE ARE 0 THRU 9.

#### TO ORDER:

EACH LETTER OR NUMERAL WANTED MUST BE ORDERED GIVING THE BASIC PART NUMBER, FOLLOWED BY THE COLOR, FOLLOWED BY THE HEIGHT(3), FOLLOWED BY THE SPECIFIC LETTER OR NUMERAL WANTED.

#### EXAMPLE:



\* PRESSURE SENSITIVE ADHESIVE BACKED VINYL FILM

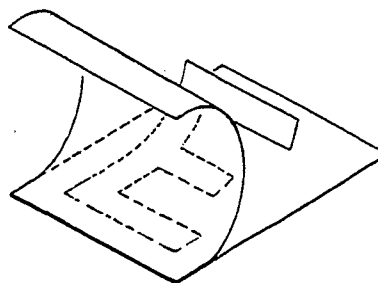
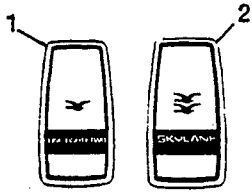


Figure 2. (Sheet 3 of 3) Registration Markings



# 182 & T182 Parts Catalog

## Placards (Cont)

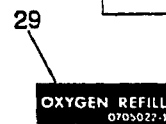
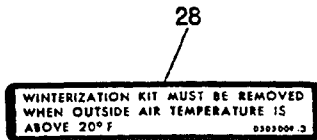
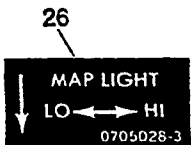
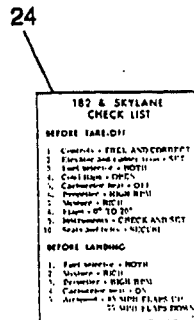
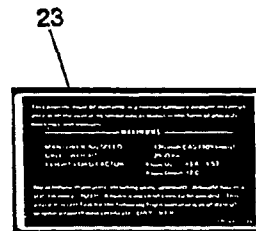
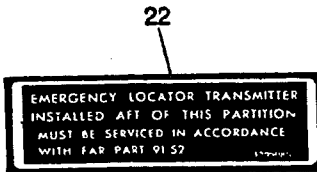
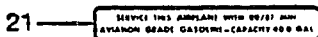
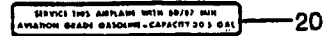
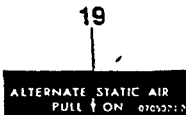
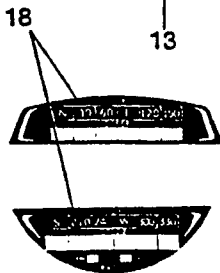
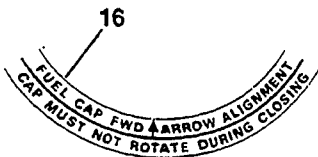
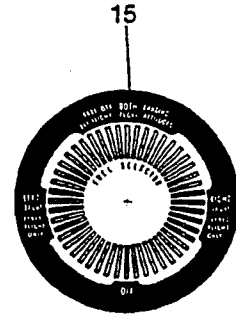
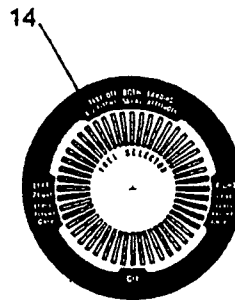
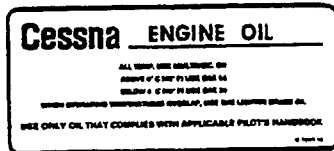
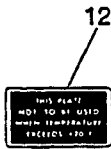
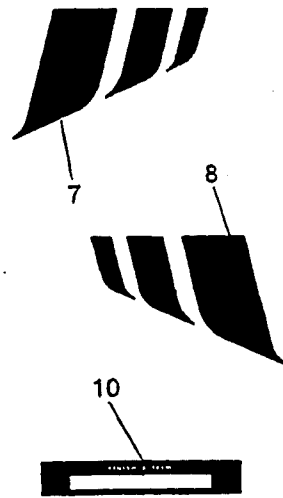
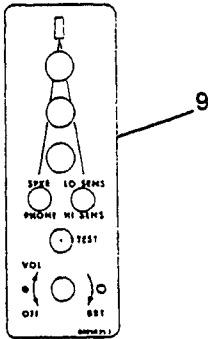


CESSNA OneEightyTwo

CESSNA OneEightyTwo

CESSNA Skylane

CESSNA Skylane



182 SERIAL 18262466 THRU 18267300  
 F182 SERIAL F18200001 THRU F18200129  
 Figure 3. (Sheet 1 of 4) Placards, Nameplates & Exterior Markings

# 182 & T182 Parts Catalog

FIGURE AND INDEX NO.	PART NUMBER	DESCRIPTION							UNITS PER ASSY	USABLE ON CODE
		1	2	3	4	5	6	7		
3 -		PLACARDS, NAMEPLATES & EXTERIOR MARKINGS -----							NP	A
- 1	0405027-12	PLACARD-CONTROL WHEEL 182 ONLY -----							1	B
- 2	0405027-13	PLACARD-CONTROL WHEEL SKYLANE ONLY -----							1	B
- 3	0705038-1	NAMEPLATE-EXTERIOR LH 182 ONLY -----							1	B
- 4	0705038-2	NAMEPLATE-EXTERIOR RH 182 ONLY -----							1	B
- 5	0705039-1	NAMEPLATE-EXTERIOR LH SKYLANE ONLY -----							1	B
- 6	0705039-2	NAMEPLATE-EXTERIOR RH SKYLANE ONLY -----							1	B
- 7	0705039-3	PLACARD-EXTERIOR LH -----							1	B
- 8	0705039-4	PLACARD-EXTERIOR RH -----							1	B
- 9	0705035-1	PLACARD-MARKER BEACON -----							1	E
-10	0713047	PLACARD-FINISH & TRIM -----							1	
-11	1205024-1	PLACARD-BATTERY POLARITY -----							1	N
-12	1205043-1	PLACARD-WINTERIZATION -----							1	
-13	S1397-12	PLACARD-ENGINE OIL CHANGE -----							1	
-14	0705048-25	PLACARD-FUEL SELECTOR -----							1	R
-15	0705048-26	PLACARD-FUEL SELECTOR EXTENDED RANGE -----							1	R
-16	1205253-1	PLACARD-FUEL CAP ALIGNMENT USED WITH C156001-0106 RED PLASTIC FUEL CAP ONLY -----							2	
-17		DELETED -----								
-18	0400213-6	PLACARD-COMPASS SET CORRECTION -----							1	
-19	0705021-2	PLACARD-ALTERNATE STATIC AIR -----							1	G
-20	0705023-8	PLACARD-FUEL FILL STANDARD -----							1	G
-21	0705023-9	PLACARD-FUEL FILL LONG RANGE -----							1	G
-22	1205085-1	PLACARD-ELT -----							1	
-23	1205001-139	PLACARD-OPERATIONAL LIMITATIONS DAY VFR -----							1	E
-24	0705024-4	PLACARD-PILOT CHECK LIST -----							1	B
-25		PLACARD-AIRCRAFT IDENTIFICATION -----							NP	
-26	0705028-3	PLACARD-CONTROL WHEEL MAPLIGHT -----							1	
-27	0705036-2	PLACARD-BACK COURSE INDICATOR LIGHT -----							1	B
-28	0505009-3	PLACARD-WINTERIZATION ON INSTRUMENT PANEL -----							1	
-29	0705022-1	PLACARD-OXYGEN REFILL -----							1	

CONTINUED ON NEXT PAGE

# 182 & T182 Parts Catalog

## Placards (Cont)

**30**

**TIRE PRESSURE**  
**MAIN GEAR**  
 42 PSI . . . 6.00X6  
**NOSE GEAR**  
 49 PSI . . . 5.00X5  
 0705025-1

**31**

**120 POUNDS MAXIMUM**  
**BAGGAGE AND/OR AUXILIARY PASSENGER**  
**FORWARD OF BAGGAGE DOOR LATCH AND**  
**80 POUNDS MAXIMUM**  
**BAGGAGE AFT OF BAGGAGE DOOR LATCH**  
**MAXIMUM 200 POUNDS COMBINED**  
 FOR ADDITIONAL LOADING INSTRUCTIONS  
 SEE WEIGHT AND BALANCE DATA

**32**

**CESSNA AIR OIL SHOCK STRUT**  
 (SEEING AIRCRAFT) COMPART, WORN, LEAKS  
**FILLING INSTRUCTIONS**

1. REMOVE VALVE CAP AND RELEASE ALL AIR.
2. REMOVE VALVE MOVING ASSEMBLY.
3. COMPRESS STRUT COMPLETELY (STOPS IN CONTACT WITH OUTER RAMEL WREN).
4. OIL LEVEL
  - FLUID USED SHOULD COMPLY WITH SPECIFICATION: MIL-PRC-155.
  - FILL STRUT TO BOTTOM OF VALVE INSTALLATION HOLE.
  - MAINTAIN OIL LEVEL AT BOTTOM OF VALVE INSTALLATION HOLE.
5. FULLY EXTEND STRUT.
6. REPLACE VALVE MOVING ASSEMBLY.
7. WITH STRUT FULLY EXTENDED AND NOSE WHEEL CLEAR OF GROUND, INFLATE STRUT 33 TO 40 PSI.

**33**

**WARNING**  
 TURN OFF STROBE LIGHTS WHEN FLYING IN VICINITY OF OTHER AIRCRAFT, OR DURING FLIGHT THROUGH CLOUDS, FOG OR HAZE.

**35**

**CESSNA PART NO. C294505-0101**  
**ELEMENT NO. C294505-0102**  
**CHANGE OIL & FILTER ELEMENT**  
**EVERY 50 HOURS.**  
**TORQUE 20-25 FT-LBS**  
**ADD (1) ADDITIONAL QT OF**  
**ENGINE OIL WITH INSTALLATION**  
**OF THIS FILTER & AT EACH**  
**ELEMENT CHANGE.**

**36**

**CESSNA PART NO. C294505-0101**  
**ELEMENT NO. C294505-0102**  
**CHANGE OIL & FILTER ELEMENT**  
**EVERY 50 HOURS.**  
**TORQUE 20-25 FT-LBS**  
**ADD (1) ADDITIONAL QT OF**  
**ENGINE OIL WITH INSTALLATION**  
**OF THIS FILTER & AT EACH**  
**ELEMENT CHANGE.**

**37**

**AUX MIKE JACK**  
 1213317-10

**38**

182

**39**

SKYLANE

**40**

SKYLANE II

**41**

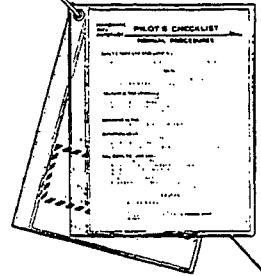
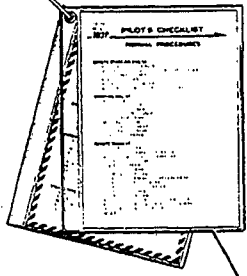
11C REVERSED

**42**

12C REVERSED

**43**

**FORWARD OF BAGGAGE DOOR LATCH**  
**120 POUNDS MAXIMUM**  
**BAGGAGE AND/OR AUXILIARY PASSENGER**  
**AFT OF BAGGAGE DOOR LATCH**  
**80 POUNDS MAXIMUM**  
**BAGGAGE INCLUDING 75 POUNDS MAX.**  
**INSIDE IN BAGGAGE WALKWAY SHELF**  
**MAXIMUM 200 POUNDS COMBINED**  
 FOR ADDITIONAL LOADING INSTRUCTIONS  
 SEE WEIGHT AND BALANCE DATA



**46**

**CESSNA**

**47**

**CESSNA**

**48**

**182 182**

**50**

**skylane**

**51**

**skylane**

**52**

**skylane II**

**53**

**skylane II**

**54**

**MAXIMUM ALTITUDE LOSS DURING**  
**ELECTRIC TRIM MALFUNCTION - 200 FT**  
 120308-1

**55**

**MAXIMUM ALTITUDE LOSS DURING**  
**ELECTRIC TRIM MALFUNCTION - 200 FT**  
 120308-1

**56**

**MAXIMUM ALTITUDE LOSS DURING**  
**ELECTRIC TRIM MALFUNCTION - 200 FT**  
 120308-1

**57**

**MAXIMUM ALTITUDE LOSS DURING**  
**ELECTRIC TRIM MALFUNCTION - 200 FT**  
 120308-1

**58**

**Skylane**

**59**

**Skylane II**

**60**

**ELEC TRIM-DN**

**61**

**UP**

**62**

**CESSNA**

**182 SERIAL 18262466 THRU 18267300**  
**F182 SERIAL F18200001 THRU F18200129**  
 Figure 3. (Sheet 2 of 4) Placards, Nameplates & Exterior Markings

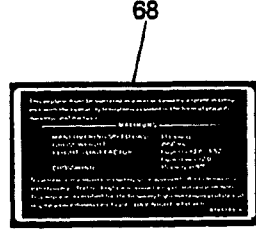
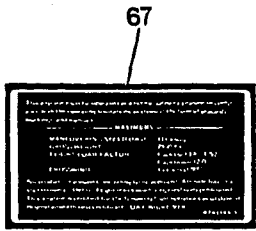
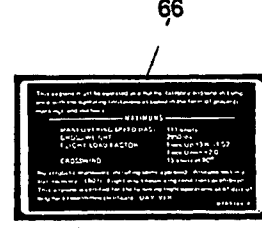
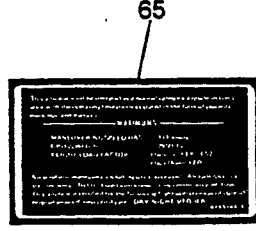
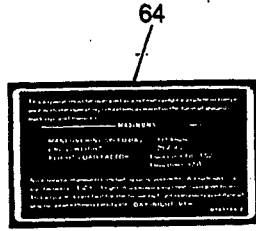
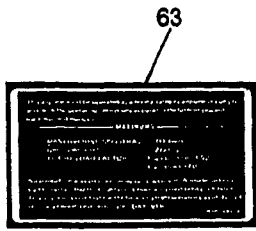
# 182 & T182 Parts Catalog

FIGURE AND INDEX NO.	PART NUMBER	DESCRIPTION							UNITS PER ASSY	USABLE ON CODE
		1	2	3	4	5	6	7		
3 -30	0705025-1	PLACARD-TIRE PRESSURE							1	
-31	0705020-1	PLACARD-BAGGAGE & AUXILIARY SEAT							1	B
-32	0543032-3	PLACARD-NOSE GEAR SHOCK STRUT							1	
-33	C622003-0105	PLACARD-STROBE LIGHT							1	R
-34	1205001-120	PLACARD-OPERATIONAL LIMITATIONS DAY-NIGHT-VFR							1	E
-35	1205001-121	PLACARD-OPERATIONAL LIMITATIONS DAY-NIGHT-VFR-IFR							1	
-36	1250410-5	PLACARD-OIL FILTER							1	
-37	1213317-10	PLACARD-AUXILIARY MIKE JACK							1	G
-38	0505052-3	EMBLEM-CONTROL WHEEL 182 ONLY							1	F
-39	0505052-4	EMBLEM-CONTROL WHEEL SKYLANE ONLY							1	L
-40	0505052-5	EMBLEM-CONTROL WHEEL SKYLANE II ONLY							1	L
-41	2005012-3	PLACARD-BACK COURSE INDICATOR LIGHT							1	F
-42	2005012-4	PLACARD-BACK COURSE INDICATOR LIGHT							1	F
-43	0705051-1	PLACARD-BAGGAGE & AUXILIARY SEAT							1	F
-44	0705182-3	PILOT CHECK LIST ASSY							1	C
-45	0505055-1	PILOT CHECK LIST ASSY NAV 200A							1	F
-46	1205102-1	NAMEPLATE-EXTERIOR WING TIP							1	F
-47	1205102-2	NAMEPLATE-EXTERIOR WING TIP							1	F
-48	0705047-1	PLACARD-EXTERIOR 182 ONLY							1	F
-49	0705047-2	PLACARD-EXTERIOR 182 ONLY							1	F
-50	0705047-3	PLACARD-EXTERIOR SKYLANE ONLY							1	F
-51	0705047-4	PLACARD-EXTERIOR SKYLANE ONLY							1	F
-52	0705047-5	PLACARD-EXTERIOR SKYLANE II ONLY							1	F
-53	0705047-6	PLACARD-EXTERIOR SKYLANE II ONLY							1	F
-54	1205086-1	PLACARD-ELECTRIC TRIM							1	U
-55	0705055-4	PLACARD-OPERATIONAL LIMITATIONS DAY VFR							1	J
-56	0705055-5	PLACARD-OPERATIONAL LIMITATIONS DAY NIGHT VFR							1	J
-57	0705055-6	PLACARD-OPERATIONAL LIMITATIONS DAY NIGHT VFR IFR							1	J
-58	0705057-1	PLACARD-EXTERIOR SKYLANE							1	J
-59	0705057-2	PLACARD-EXTERIOR SKYLANE II							1	J
-60	1505003-3	PLACARD-ELECTRIC TRIM CONTROL WHEEL							1	D
-61	1505003-2	PLACARD-ELECTRIC TRIM CONTROL WHEEL							1	D
-62	0405038-1	NAMEPLATE-CESSNA							1	J
	0405038-2	NAMEPLATE-CESSNA ALASKA ONLY							1	J

CONTINUED ON NEXT PAGE

# 182 & T182 Parts Catalog

## Placards (Cont)



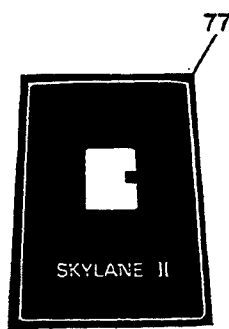
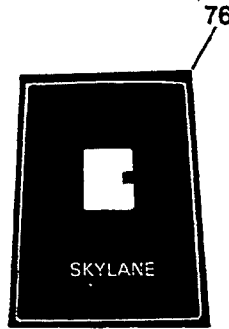
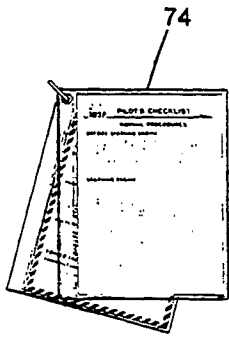
cessna skylane

skylane II

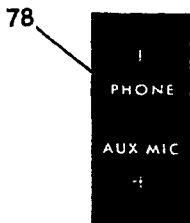
SERVICE THIS AIRPLANE WITH 100/130 MIN AVIATION GRADE GASOLINE - CAPACITY 30.5 GAL.

SERVICE THIS AIRPLANE WITH 100/130 MIN AVIATION GRADE GASOLINE - CAPACITY 40.0 GAL.

ALTITUDE ENCODER EQUIPPED



CAUTION 24 VOLTS D.C. THIS AIRPLANE IS EQUIPPED WITH ALTERNATORS AND A NEGATIVE GROUND SYSTEM. OBSERVE PROPER POLARITY. REVERSE POLARITY WILL DAMAGE ELECTRICAL COMPONENTS.



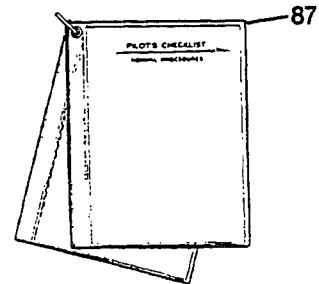
SERVICE THIS AIRPLANE WITH 100L/130 MIN AVIATION GRADE GASOLINE - CAPACITY 30.5 GAL.

SERVICE THIS AIRPLANE WITH 100L/130 MIN AVIATION GRADE GASOLINE - CAPACITY 40.0 GAL.

CESSNA REIMS/CESSNA

SKYLANE

SKYLANE II



182 SERIAL 18262466 THRU 18267300  
 F182 SERIAL F1820001 THRU F18200129  
 Figure 3. (Sheet 3 of 4) Placards, Nameplates & Exterior Markings

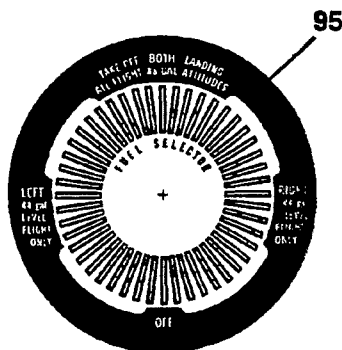
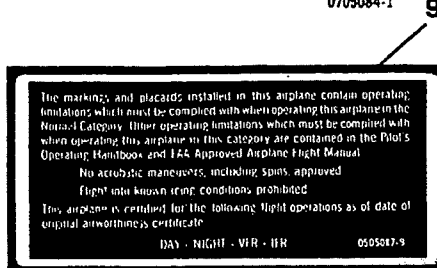
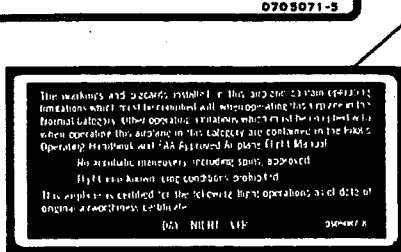
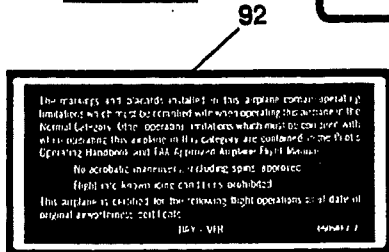
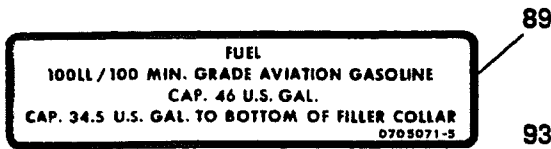
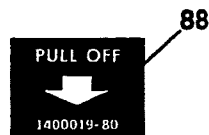
# 182 & T182 Parts Catalog

FIGURE AND INDEX NO.	PART NUMBER	DESCRIPTION							UNITS PER ASSY	USABLE ON CODE
		1	2	3	4	5	6	7		
3 -63	0705186-1	PLACARD-OPERATIONAL	LIMITATIONS	DAY	VFR	-----	-----	-----	1	H
-64	0705186-2	PLACARD-OPERATIONAL	LIMITATIONS	DAY	NIGHT	VFR	-----	-----	1	H
-65	0705186-3	PLACARD-OPERATIONAL	LIMITATIONS	DAY	NIGHT	VFR	IFR	-----	1	H
-66	0705186-4	*	PLACARD-OPERATIONAL	LIMITATIONS	DAY	VFR	-----	-----	1	H
-67	0705186-5	*	PLACARD-OPERATIONAL	LIMITATIONS	DAY	NIGHT	VFR	-----	1	H
-68	0705186-6	*	PLACARD-OPERATIONAL	LIMITATIONS	DAY	NIGHT	VFR	IFR	-----	H
	0705186-7	**	PLACARD-OPERATIONAL	LIMITATIONS	DAY	VFR	-----	-----	1	H
	0705186-8	**	PLACARD-OPERATIONAL	LIMITATIONS	DAY	NIGHT	VFR	-----	1	H
	0705186-9	**	PLACARD-OPERATIONAL	LIMITATIONS	DAY	NIGHT	VFR	IFR	-----	H
-69	0505061-1		NAMEPLATE-CESSNA	-----	-----	-----	-----	-----	1	K
	0505061-2		NAMEPLATE-CESSNA	ALASKA ONLY	-----	-----	-----	-----	1	K
-70	0705065-1		PLACARD-EXTERIOR	SKYLANE	-----	-----	-----	-----	1	K
-71	0705065-2		PLACARD-EXTERIOR	SKYLANE II	-----	-----	-----	-----	1	K
-72	0705023-10		PLACARD-FUEL FILL	STANDARD	-----	-----	-----	-----	1	K
-73	0705023-12		PLACARD-FUEL FILL	LONG RANGE	-----	-----	-----	-----	1	K
-74	0705183-1		PILOT CHECK LIST ASSY	-----	-----	-----	-----	-----	1	J
-75	0405044-1		PLACARD-BLIND ENCODER	-----	-----	-----	-----	-----	1	K
-76	0505054-11		EMBLEM-CONTROL WHEEL	-----	-----	-----	-----	-----	1	N
-77	0505054-12		EMBLEM-CONTROL WHEEL	SKYLANE II	-----	-----	-----	-----	1	N
-78	1205201-1		PLACARD-AUX MIC	-----	-----	-----	-----	-----	1	N
-79	1205201-2		PLACARD-PHONE JACK	-----	-----	-----	-----	-----	1	N
-80	0705071-1		PLACARD-FUEL FILL	STANDARD RANGE	-----	-----	-----	-----	1	T
-81	0705071-3		PLACARD-FUEL FILL	EXTENDED RANGE	-----	-----	-----	-----	1	T
-82	1205024-2		PLACARD-BATTERY POLARITY	-----	-----	-----	-----	-----	1	T
-83	1205237-1		NAMEPLATE-CESSNA	-----	-----	-----	-----	-----	1	T
	1205237-2		NAMEPLATE-CESSNA	WHITE	-----	-----	-----	-----	1	T
-84	1705042-1		NAMEPLATE-CESSNA	FRENCH	-----	-----	-----	-----	1	T
-85	0705072-1		PLACARD-EXTERIOR	SKYLANE	-----	-----	-----	-----	1	T
	0705072-5		PLACARD-EXTERIOR	SKYLANE	WHITE	-----	-----	-----	1	T
-86	0705072-2		PLACARD-EXTERIOR	SKYLANE II	-----	-----	-----	-----	1	T
	0705072-6		PLACARD-EXTERIOR	SKYLANE II	WHITE	-----	-----	-----	1	T
-87	0705185-1		PILOTS CHECKLIST ASSY	-----	-----	-----	-----	-----	1	V
	D6016		PILOTS CHECKLIST ASSY	-----	-----	-----	-----	-----	1	W
	D6031		PILOTS CHECKLIST ASSY	-----	-----	-----	-----	-----	1	S

CONTINUED ON NEXT PAGE

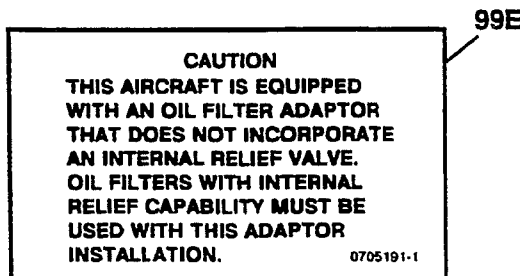
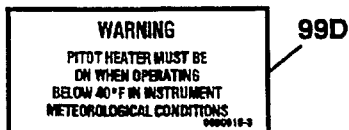
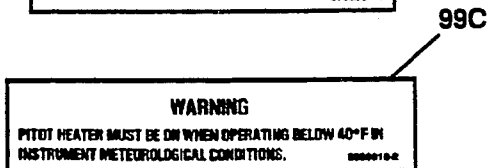
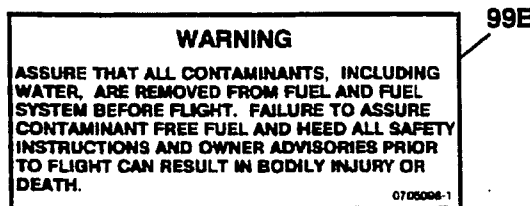
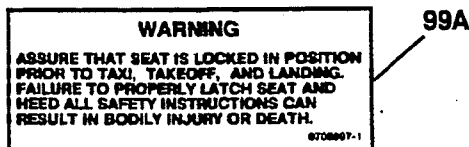
# 182 & T182 Parts Catalog

## Placards (Cont)



**CESSNA**  
**REIMS/CESSNA**

**SKYLANE** **SKYLANE II**



182 SERIAL 18262466 THRU 18267300  
F182 SERIAL F18200001 THRU F18200129

Figure 3. (Sheet 4 of 4) Placards, Nameplates, & Exterior Markings

# 182 & T182 Parts Catalog

FIGURE AND INDEX NO.	PART NUMBER	DESCRIPTION	1 2 3 4 5 6 7							UNITS PER ASSY	USABLE ON CODE
3 -88	1400019-80	PLACARD-SWITCH OPERATION -----								1	P
-89	0705071-5	PLACARD-FUEL FILL -----								2	S
-90	1400019-66	PLACARD-BACK COURSE LIGHT -----								1	N
-91	0705084-1	PLACARD-AIRSPEED -----								1	S
-92	0505087-7	PLACARD-OPERATIONAL LIMITATIONS DAY-VFR -----								AR	S
	0505087-10 ***	PLACARD-OPERATIONAL LIMITATIONS DAY-VFR -----								AR	S
-93	0505087-8	PLACARD-OPERATIONAL LIMITATIONS DAY-NIGHT-VFR -----								AR	S
	0505087-11 ***	PLACARD-OPERATIONAL LIMITATIONS DAY-NIGHT-VFR -----								AR	S
-94	0505087-9	PLACARD-OPERATIONAL LIMITATIONS DAY-NIGHT-VFR-IFR -----								AR	S
	0505087-12 ***	PLACARD-OPERATIONAL LIMITATIONS DAY-NIGHT-VFR-IFR -----								AR	S
-95	0705048-32	PLACARD-FUEL SELECTOR -----								1	S
-96	0405064-3	NAMEPLATE-CESSNA WHITE -----								2	S
	0405064-1	NAMEPLATE-CESSNA BLACK -----								AR	S
-97	0405064-4	NAMEPLATE-REIMS/CESSNA -----								2	S
-98	0705077-2	PLACARD-EXTERIOR SKYLANE WHITE -----								2	S
	0705077-1	PLACARD-EXTERIOR SKYLANE BLACK -----								AR	S
-99	0705077-4	PLACARD-EXTERIOR SKYLANE II WHITE -----								2	S
	0705077-3	PLACARD-EXTERIOR SKYLANE II BLACK -----								AR	S
-99A	0705097-1	PLACARD-SEAT STOP LATCH -----								2	
-99B	0705098-1	PLACARD-FUEL CONTAMINATION -----								2	
-99C	0890018-2	STICKER-PITOT HEAT WARNING POH MANUAL -----								1	
-99D	0890018-3	PLACARD-PITOT HEAT WARNING -----								1	
-99E	0705191-1	PLACARD-OIL FILTER ADAPTOR -----								1	Y
-99F	0705191-4	PLACARD-OIL FILTER ADAPTOR -----								1	Y
<p>NOTE. *THESE PLACARDS FOR FRENCH AIRCRAFT ONLY.</p> <p>NOTE. **THESE PLACARDS ARE THE SAME AS 0705065-4, -5 &amp; -6 EXCEPT WRITTEN IN FRENCH.</p> <p>NOTE. ***THESE PLACARDS ARE THE SAME AS 0505087-7, -8 &amp; -9 EXCEPT WRITTEN IN FRENCH.</p> <p>A---182 SERIAL 18262466 THRU 18267300            B---182 SERIAL 18262466 THRU 18263475            C---182 SERIAL 18263476 THRU 18267300            D---182 SERIAL 18264296 THRU 18265965                F182 SERIAL F18200026 THRU F18200064            E---182 SERIAL 18262466 THRU 18264295            F---182 SERIAL 18263476 THRU 18264295            G---182 SERIAL 18262466 THRU 18265175            H---182 SERIAL 18265176 THRU 18266590                F182 SERIAL F18200026 THRU F18200094            J---182 SERIAL 18264296 THRU 18265175                F182 SERIAL F18200001 THRU F18200025            K---182 SERIAL 18265176 THRU 18265965                F182 SERIAL F18200026 THRU F18200064            L---182 SERIAL 18263476 THRU 18265965                F182 SERIAL F18200001 THRU F18200064            M---182 SERIAL 18262466 THRU 18265965                F182 SERIAL F18200001 THRU F18200064            N---182 SERIAL 18265966 THRU 18267300                F182 SERIAL F18200065 THRU F18200129            P---182 SERIAL 18265966 THRU 18266295                F182 SERIAL F18200065 THRU F18200094            R---182 SERIAL 18262466 THRU 18266590                F182 SERIAL F18200001 THRU F18200094            S---182 SERIAL 18266591 THRU 18267300                F182 SERIAL F18200095 THRU F18200129            T---182 SERIAL 18265966 THRU 18266590                F182 SERIAL F18200065 THRU F18200094            U---182 SERIAL 18264296 THRU 18266590                F182 SERIAL F18200001 THRU F18200094            V---182 SERIAL 18262466 THRU 18265965            W---182 SERIAL 18265966 THRU 18266590                F182 SERIAL F18200001 THRU F18200094            Y---182 SERIAL 18262466 THRU 18267041</p>											



# 182 & T182 Parts Catalog

Placards (Cont)

# SKYLANE


# SKYLANE II

# CESSNA

# REIMS/CESSNA

THIS PLATE  
NOT TO BE USED  
WHEN TEMPERATURE  
EXCEEDS +20°F

**AVGAS ONLY**



GRADE 100LL      GRADE 100

**FUEL**  
100LL / 100 MIN. GRADE AVIATION GASOLINE  
CAP. 46 U.S. GAL.  
CAP. 34.5 U.S. GAL. TO BOTTOM OF FILLER COLLAR  
0705071-5

FIRST - YEAR

**TIRE PRESSURE**  
MAIN GEAR  
42 PSI . . . 6.00x6  
NOSE GEAR  
49 PSI . . . 5.00x5  
0705025-1

**CESSNA AIR OIL SHOCK STRUT**  
CESSNA AIRCRAFT COMPANY, WICHITA, KANSAS  
FILLING INSTRUCTIONS

1. REMOVE VALVE CAP AND RELEASE ALL AIR.
2. REMOVE VALVE HOUSING ASSEMBLY.
3. COMPRESS STRUT COMPLETELY (STOPS IN CONTACT WITH OUTER BARREL RING).
4. OIL LEVEL
  - a. READ USED SHOCKER CORRELY WITH SPECIFICATION MIL-L-8088.
  - b. PULL STRUT TO BOTTOM OF VALVE INSTALLATION HOLE.
  - c. MAINTAIN OIL LEVEL AT BOTTOM OF VALVE INSTALLATION HOLE.
5. FULLY EXTEND STRUT.
6. REPLACE VALVE HOUSING ASSEMBLY.
7. WITH STRUT FULLY EXTENDED AND NOSE WHEEL CLEAR OF GROUND, INFLATE STRUT 25 TO 40 PSI.

**Cessna ENGINE OIL**

ALL TEMP. USE MULTIGRAPHIC OIL  
ABOVE 4° C (40° F) USE SAE 30  
BELOW 4° C (40° F) USE SAE 20  
WHEN OPERATING MANUFACTURE OVERLAP, USE THE LIGHTER GRADE OIL.  
USE ONLY OIL THAT COMPLIES WITH APPLICABLE PILOT'S HANDBOOK.  
© 1999-02

**CESSNA PART NO. C294507-0101.**  
**CHANGE FILTER EVERY 50 HOURS.**  
**ADD (1) ADDITIONAL QT OF ENGINE OIL WITH INSTALLATION OF THIS FILTER.**  
0705090-3

The markings and placards installed in this airplane contain operating limitations which must be complied with when operating this airplane in the Normal Category. Other operating limitations which must be complied with when operating this airplane in this category are contained in the Pilot's Operating Handbook and FAA Approved Airplane Flight Manual.

No acrobatic maneuvers, including spins, approved.  
Flight into known icing conditions prohibited.

This airplane is certified for the following flight operations as of date of original airworthiness certificate:

DAY - VFR      0505087-7

The markings and placards installed in this airplane contain operating limitations which must be complied with when operating this airplane in the Normal Category. Other operating limitations which must be complied with when operating this airplane in this category are contained in the Pilot's Operating Handbook and FAA Approved Airplane Flight Manual.

No acrobatic maneuvers, including spins, approved.  
Flight into known icing conditions prohibited.

This airplane is certified for the following flight operations as of date of original airworthiness certificate:

DAY - NIGHT - VFR      0505087-8

The markings and placards installed in this airplane contain operating limitations which must be complied with when operating this airplane in the Normal Category. Other operating limitations which must be complied with when operating this airplane in this category are contained in the Pilot's Operating Handbook and FAA Approved Airplane Flight Manual.

No acrobatic maneuvers, including spins, approved.  
Flight into known icing conditions prohibited.

This airplane is certified for the following flight operations as of date of original airworthiness certificate:

DAY - NIGHT - VFR - IFR      0505087-9

**WARNING**  
PITOT HEATER MUST BE ON WHEN OPERATING BELOW 40°F IN INSTRUMENT METEOROLOGICAL CONDITIONS.      0505018-2

**WARNING**  
PITOT HEATER MUST BE ON WHEN OPERATING BELOW 40°F IN INSTRUMENT METEOROLOGICAL CONDITIONS.      0505018-3

**182 SERIAL 18267301 & ON**  
**F182 SERIAL F18200130 THRU F18200169**  
**T182 SERIAL 18267716 & ON**

Figure 4. (Sheet 1 of 3) Placards, Nameplates, & Exterior Markings

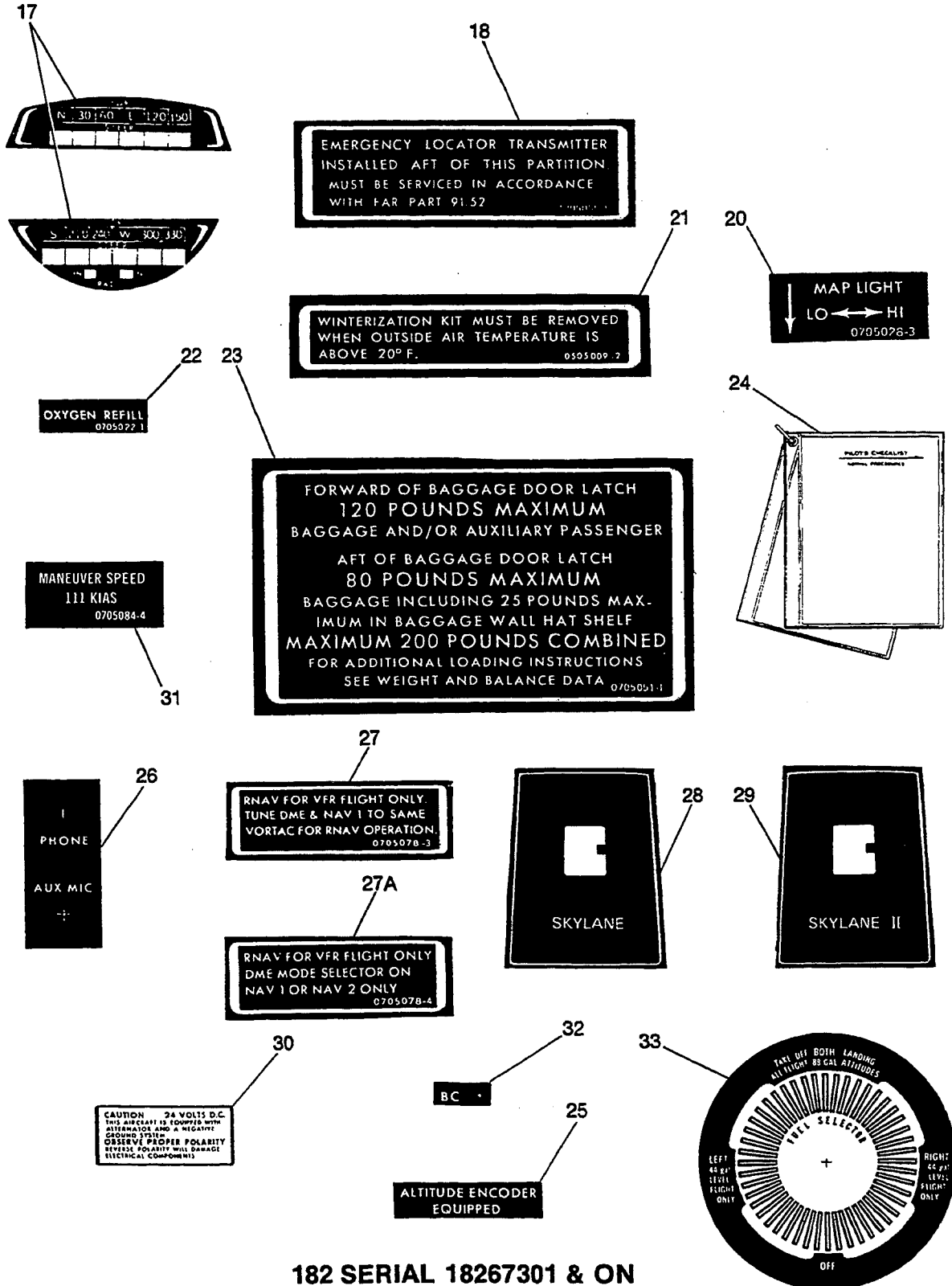
# 182 & T182 Parts Catalog

FIGURE AND INDEX NO.	PART NUMBER	DESCRIPTION							UNITS PER ASSY	USABLE ON CODE
		1	2	3	4	5	6	7		
4 -		PLACARDS, NAMEPLATES & EXTERIOR MARKINGS -----								A
- 1	0705089-1	PLACARD-EXTERIOR	SKYLANE	WHITE				2	G	
	0705089-2	PLACARD-EXTERIOR	SKYLANE	BRONZE				AR	G	
- 2	0705089-3	PLACARD-EXTERIOR	SKYLANE II	WHITE				2	G	
	0705089-4	PLACARD-EXTERIOR	SKYLANE II	BRONZE				AR	G	
- 3	0405072-1	NAMEPLATE-CESSNA	WHITE					2	G	
	0405072-2	NAMEPLATE-CESSNA	BRONZE					AR	G	
- 4	0405074-2	NAMEPLATE-REIMS/CESSNA	WHITE					2	J	
- 5		DELETED -----								
- 6	1205043-1	PLACARD-WINTERIZATION	182 & F182 ONLY					1		
- 7	0713047-0	PLACARD-FINISH & TRIM						1		
- 8	S2608-1	PLACARD-AVGAS						2	N	
- 9	0705071-5	PLACARD-FUEL FILL						1		
-10	0705025-1	PLACARD-TIRE PRESSURE						1		
-11	0543032-3	PLACARD-NOSE GEAR SHOCK STRUT						1	B	
	0705190-1	PLACARD-NOSE GEAR SHOCK STRUT						1	C	
-12	S1397-12	PLACARD-OIL CHANGE	182 & F182 ONLY					1		
-13	0705090-3	PLACARD-OIL FILTER	182 & F182 ONLY					1		
-14	0505087-7	PLACARD-OPERATIONAL LIMITATIONS	DAY-VFR					AR		
	0505087-10	* PLACARD-OPERATIONAL LIMITATIONS	DAY-VFR					AR		
-15	0505087-8	PLACARD-OPERATIONAL LIMITATIONS	DAY-NIGHT-VFR					AR		
	0505087-11	* PLACARD-OPERATIONAL LIMITATIONS	DAY-NIGHT-VFR					AR		
-16	0505087-9	PLACARD-OPERATIONAL LIMITATIONS	DAY-NIGHT-VFR-IFR					AR		
	0505087-12	* PLACARD-OPERATIONAL LIMITATIONS	DAY-NIGHT-VFR-IFR					AR		
-16A	0890018-2	STICKER-PITOT HEAT WARNING	POH MANUAL					1		
-16B	0890018-3	PLACARD-PITOT HEAT WARNING						1		

CONTINUED ON NEXT PAGE

# 182 & T182 Parts Catalog

## Placards (Cont.)



**182 SERIAL 18267301 & ON  
 F182 SERIAL F18200130 THRU F18200169  
 T182 SERIAL 18267716 & ON**

Figure 4. (Sheet 2 of 3) Placards, Nameplates, & Exterior Markings

# 182 & T182 Parts Catalog

FIGURE AND INDEX NO.	PART NUMBER	DESCRIPTION							UNITS PER ASSY	USABLE ON CODE
		1	2	3	4	5	6	7		
4 -17	0400213-6	PLACARD-COMPASS SET DIRECTION 182 & F182 ONLY -----							1	
-18	1205085-1	PLACARD-ELT -----							1	
-19		PLACARD-AIRCRAFT IDENTIFICATION -----							1	NP
-20	0705028-3	PLACARD-CONTROL WHEEL MAPLIGHT -----							1	
-21	0505009-2-E85	PLACARD-WINTERIZATION ON INSTRUMENT PANEL 182 & F182							1	
	0505009-2-E84	WHITE ON BLACK BACKGROUND PLACARD-WINTERIZATION ON INSTRUMENT PANEL 182 & T182							1	M
		WHITE ON CLEAR BACKGROUND								
-22	0705022-1	PLACARD-OXYGEN REFILL 182 & F182 ONLY -----							1	
-23	0705051-1	PLACARD-BAGGAGE & AUXILIARY SEAT -----							1	
-24	D6048	PILOT'S CHECKLIST ASSY -----							1	
	D6069	PILOT'S CHECKLIST ASSY 182 ONLY -----							1	B
	D6080	PILOT'S CHECKLIST ASSY T182 ONLY -----							1	C
	D6086	PILOT'S CHECKLIST ASSY 182 ONLY -----							1	C
	D6087	PILOT'S CHECKLIST ASSY T182 ONLY -----							1	K
	D6107	PILOT'S CHECKLIST ASSY 182 ONLY -----							1	K
	D6108	PILOT'S CHECKLIST ASSY T182 ONLY -----							1	L
	D6128	PILOT'S CHECKLIST ASSY 182 ONLY -----							1	L
	D6129	PILOT'S CHECKLIST ASSY T182 ONLY -----							1	T
	D6146	PILOT'S CHECKLIST ASSY 182 ONLY -----							1	T
	D6147	PILOT'S CHECKLIST ASSY T182 ONLY -----							1	U
	D6162-13	PILOT'S CHECKLIST ASSY 182 ONLY -----							1	U
	D6162-13	PILOT'S CHECKLIST ASSY T182 ONLY -----							1	V
-25	0405044-3-E85	PLACARD-BLIND ENCODER WHITE ON BLACK BACKGROUND -----							1	M
	0405044-3-E84	PLACARD-BLIND ENCODER WHITE ON CLEAR BACKGROUND -----							1	M
-26	1205204-1	PLACARD ASSY-HEADSET -----							1	G
-27	0705078-3-E85	PLACARD-RNAV WHITE ON BLACK BACKGROUND -----							1	M
	0705078-3-E84	PLACARD-RNAV WHITE ON CLEAR BACKGROUND -----							1	M
-27A	0705078-4-E85	PLACARD-RNAV WHITE ON BLACK BACKGROUND -----							1	M
	0705078-4-E84	PLACARD-RNAV WHITE ON CLEAR BACKGROUND -----							1	M
-28	0505054-11	EMBLEM-CONTROL WHEEL SKYLANE -----							1	G
-29	0505054-12	EMBLEM-CONTROL WHEEL SKYLANE II -----							1	G
-30	1205024-2	PLACARD-BATTERY POLARITY -----							1	
-31	0705084-4-E85	PLACARD-MANEUVER SPEED WHITE ON BLACK BACKGROUND -----							1	
	0705084-4-E84	PLACARD-MANEUVER SPEED WHITE ON CLEAR BACKGROUND -----							1	M
-32	1400019-89-E85	PLACARD-BACKCOURSE LIGHT WHITE ON BLACK BACKGROUND -----							1	T
	1400019-89-E84	PLACARD-BACKCOURSE LIGHT WHITE ON CLEAR BACKGROUND -----							1	T
-33	0705048-32	PLACARD-FUEL SELECTOR -----							1	E

CONTINUED ON NEXT PAGE

# 182 & T182 Parts Catalog

## Placards (Cont)

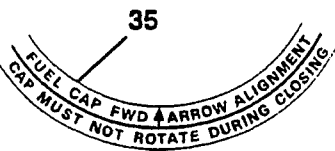
34

**CESNA AIR OIL SHOCK STRUT**  
CESNA AIRCRAFT COMPANY, INC. (CASA) LABELS

**FILLING INSTRUCTIONS**

1. REMOVE FILLER VALVE CAP AND INSURE VALVE CORE TO COMPLETELY RELATE BORE SHOCK STRUT.
2. REMOVE FILLER VALVE CORE FROM VALVE BODY.
3. ATTACH APPROXIMATELY 3" OF CLEAR 1/4" TUBING TO VALVE BODY.
4. PLACE LOWER END OF 1/4" TUBING INTO A 1 GALLON CONTAINER OF HYDRAULIC FLUID.
5. FULLY EXTEND AND COMPRESS STRUT SEVERAL TIMES TO EXPEL ANY ENTRAPPED AIR.
6. COMPRESS STRUT FULLY. REMOVE TUBING FROM VALVE BODY, AND REINSTALL VALVE CORE.
7. WITH NO LOAD ON ROSE GEAR STRUT, INFLATE TO 30 PSI.

0205004-1



36

**Cessna ENGINE OIL**

ALL TEMP. USE MULTIVISC. OIL  
ABOVE 10°C (50°F) USE SAE 30  
11°C (52°F) TO 27°C (80°F) USE SAE 40  
18°C (64°F) TO 31°C (87°F) USE SAE 50

WHEN OPERATING TEMPERATURES OVERLAP, USE THE LIGHTER GRADE OIL.  
USE ONLY OIL THAT COMPLES WITH APPLICABLE PILOT'S HANDBOOK.

0205003-1

37

OIL FILTER IS CESSNA PART NO. C294504-0102  
CHANGE FILTER EVERY 50 HOURS  
CHANGE OIL EVERY 100 HOURS  
TORQUE 20-25 FT-LBS  
ADD (1) ADDITIONAL QT OF ENGINE OIL WITH INSTALLATION OF THIS FILTER

0205003-1

38

**120 POUNDS MAXIMUM**  
BAGGAGE AND/OR AUXILIARY PASSENGER  
FORWARD OF BAGGAGE DOOR LATCH AND  
**80 POUNDS MAXIMUM**  
BAGGAGE AFT OF BAGGAGE DOOR LATCH  
**MAXIMUM 200 POUNDS COMBINED**  
FOR ADDITIONAL LOADING INSTRUCTIONS  
SEE WEIGHT AND BALANCE DATA

0205020-1

39

**TURN OFF AIR CONDITIONER  
FOR TAKEOFF AND LANDING**

1605050-1

40

**OXYGEN REFILL**  
1205083-1

44

**ELT IS LOCATED BEHIND  
THIS SURFACE.**

43

**BOTH**  
80 0 gal  
TAKEOFF LANDING  
ALL FLIGHT ATTITUDES

**FUEL SELECTOR**

**LEFT**  
44 0 gal  
LEVEL  
FLIGHT  
ONLY

**RIGHT**  
52 0 25  
12V-1  
4112-1  
ON V-1

OFF OFF

0205001-2

41

turbo  
SKYLANE

42

turbo  
SKYLANE II

45

**ELT IS LOCATED BEHIND  
THIS SURFACE.**

46

Cessna  
Skylane

47

Cessna  
Skylane II

55

ON  
+  
STBY  
VAC

56

ON  
+  
STBY  
VAC

48

Cessna  
Turbo  
Skylane

49

Cessna  
Turbo  
Skylane II

54

Cessna

58

**WARNING**

ASSURE THAT ALL CONTAMINANTS, INCLUDING WATER, ARE REMOVED FROM FUEL AND FUEL SYSTEM BEFORE FLIGHT. FAILURE TO ASSURE CONTAMINANT FREE FUEL AND HEED ALL SAFETY INSTRUCTIONS AND OWNER ADVISORIES PRIOR TO FLIGHT CAN RESULT IN BODILY INJURY OR DEATH.

0705004-1

52 **SKYLANE**

53 **SKYLANE II**

50

Cessna

57

**WARNING**

ASSURE THAT SEAT IS LOCKED IN POSITION PRIOR TO TAXI, TAKEOFF, AND LANDING. FAILURE TO PROPERLY LATCH SEAT AND HEED ALL SAFETY INSTRUCTIONS CAN RESULT IN BODILY INJURY OR DEATH.

0705007-1

182 SERIAL 18267301 & ON  
F182 SERIAL F18200130 THRU F18200169  
T182 SERIAL 18267716 & ON

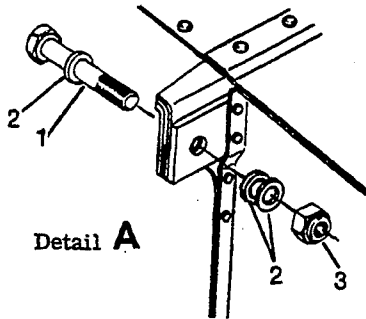
Figure 4. (Sheet 3 of 3) Placards, Nameplates, & Exterior Markings

# 182 & T182 Parts Catalog

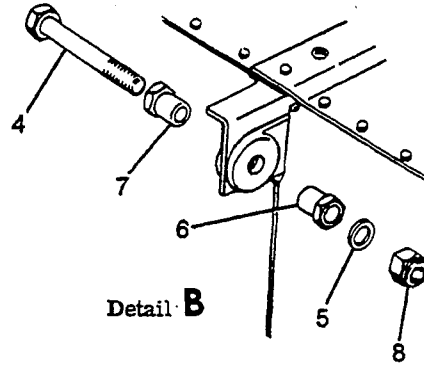
FIGURE AND INDEX NO.	PART NUMBER	DESCRIPTION							UNITS PER ASSY	USABLE ON CODE
		1	2	3	4	5	6	7		
4 -34	0705091-2	PLACARD-NOSE GEAR SHOCK STRUT T182 ONLY -----							1	S
-35	1205253-1	PLACARD-FUEL CAP ALIGNMENT USED WITH C156001-0106 RED PLASTIC FUEL CAPS ONLY -----							2	
-36	S1397-13	PLACARD-OIL CHANGE T182 ONLY -----							1	D
-37	2205003-1	PLACARD-OIL FILTER T182 ONLY -----							1	
-38	0705020-1	PLACARD-BAGGAGE & AUXILIARY SEAT -----							1	
-39	1605060-1-E85	PLACARD-AIR CONDITIONER T182 ONLY -----							1	
	1605060-1-E84	WHITE ON BLACK BACKGROUND PLACARD-AIR CONDITIONER T182 ONLY -----							1	M
-40	1205083-1	WHITE ON CLEAR BACKGROUND PLACARD-OXYGEN REFILL T182 ONLY -----							1	G G F R H H H H P
-41	0505054-29	EMBLEM-TURBO SKYLANE T182 -----							1	
-42	0505054-30	EMBLEM-TURBO SKYLANE II T182 -----							1	
-43	0705093-2	PLACARD-FUEL SELECTOR -----							1	
	0705093-3	PLACARD-FUEL SELECTOR -----							1	
-44	0405101-1	PLACARD-ELT LOCATOR CANADIAN AIRCRAFT ONLY -----							1	
-45	0405101-2	PLACARD-ELT LOCATOR CANADIAN AIRCRAFT ONLY -----							1	
-46	0505100-3	EMBLEM-CONTROL WHEEL 182 ONLY -----							1	
-47	0505100-4	EMBLEM-CONTROL WHEEL 182 ONLY -----							1	
-48	0505100-5	EMBLEM-CONTROL WHEEL T182 ONLY -----							1	
-49	0505100-6	EMBLEM-CONTROL WHEEL T182 ONLY -----							1	
	0505097-1	EMBLEM ASSY-CESSNA LOGO -----							2	P
	S1278-2	ATTACHING PARTS CLIP -----							2	P
		*-----								
-50	0505102-1	EMBLEM INSERT -----							1	P
-51	0505101-1	EMBLEM HOLDER -----							1	P
-52	0705096-1	PLACARD-EXTERIOR SKYLANE BLACK -----							2	H
	0705096-2	PLACARD-EXTERIOR SKYLANE WHITE -----							2	H
-53	0705096-3	PLACARD-EXTERIOR SKYLANE II BLACK -----							2	H
	0705096-4	PLACARD-EXTERIOR SKYLANE II WHITE -----							2	H
-54	0505103-1	PLACARD-CESSNA LOGO -----							2	R
-55	0405084-2	PLACARD-STANDBY VACUUM T182 ONLY -----							1	R
-56	0405084-3	PLACARD-STANDBY VACUUM 182 ONLY -----							1	R
-57	0705097-1	PLACARD-SEAT STOP LATCH -----							2	R
-58	0705098-1	PLACARD-FUEL CONTAMINATION -----							2	R
<p>NOTE. *THESE PLACARDS ARE THE SAME AS 0505087-7, -8 &amp; -9 EXCEPT WRITTEN IN FRENCH.</p> <p>A---182 SERIAL 18267301 &amp; ON F182 SERIAL F18200130 THRU F18200169 T182 SERIAL 18267716 &amp; ON</p> <p>B---182 SERIAL 182673601 THRU 18267715 F182 SERIAL F18200130 THRU F18200169</p> <p>C---182 &amp; T182 SERIAL 18267716 THRU 18268055</p> <p>D---182 &amp; T182 SERIAL 18267716 &amp; ON</p> <p>E---182 SERIAL 18267301 THRU 18268055 T182 SERIAL 18267716 THRU 18268055</p> <p>F---182 &amp; T182 SERIAL 18268056 THRU 18268434</p> <p>G---182 SERIAL 18267301 THRU 18268293 T182 SERIAL 18267716 THRU 18268293</p> <p>H---182 &amp; T182 SERIAL 18268294 &amp; ON</p> <p>J---F182 SERIAL F18200130 THRU F18200169</p> <p>K---182 &amp; T182 SERIAL 18268056 THRU 18268293</p> <p>L---182 &amp; T182 SERIAL 18268294 THRU 18268383</p> <p>M---182 &amp; T182 SERIAL 18268384 &amp; ON</p> <p>N---182 &amp; T182 SERIAL 18268300 &amp; ON</p> <p>P---182 &amp; T182 SERIAL 18268294 THRU 18268434</p> <p>R---182 &amp; T182 SERIAL 18268435 &amp; ON</p> <p>S---182 SERIAL 18267301 THRU 18268434 F182 SERIAL F18200130 THRU F18200169 T182 SERIAL 18267716 THRU 18268434</p> <p>T---182 &amp; T182 SERIAL 18268369 THRU 18268434</p> <p>U---182 &amp; T182 SERIAL 18268435 THRU 18268541</p> <p>V---182 &amp; T182 SERIAL 18268542 &amp; ON</p>										

# 182 & T182 Parts Catalog

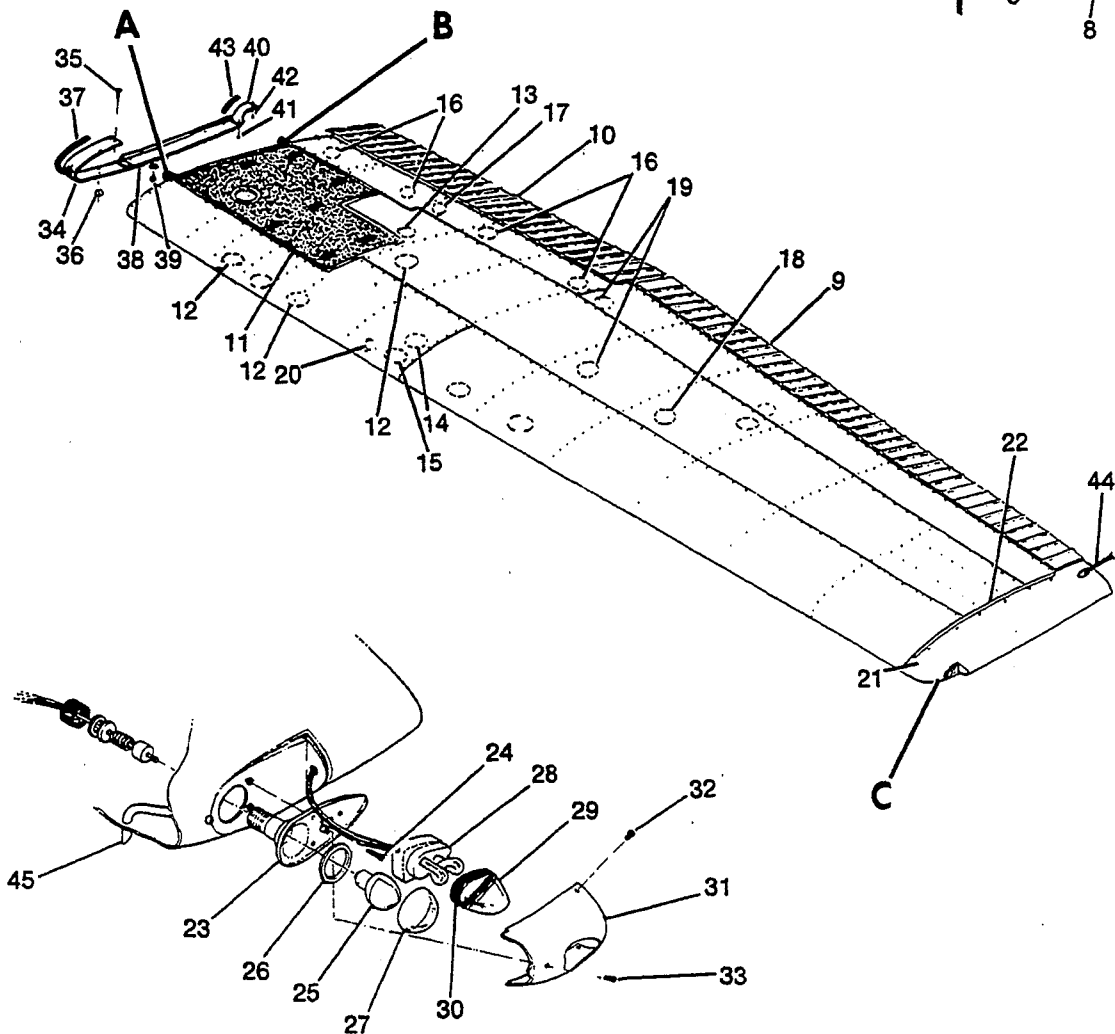
Wing



Detail A



Detail B



Detail C

182 SERIAL 18262466 THRU 18266590  
F182 SERIAL F18200001 THRU F18200094

Figure 5. Wing Assembly Complete

# 182 & T182 Parts Catalog

FIGURE AND INDEX NO.	PART NUMBER	DESCRIPTION							UNITS PER ASSY	USABLE ON CODE
		1	2	3	4	5	6	7		
5 -		WING ASSY COMPLETE-LH	STANDARD RANGE	-----					NP	E F E E
		WING ASSY COMPLETE-LH	EXTENDED RANGE	-----					NP	
		WING ASSY COMPLETE-RH	STANDARD RANGE	-----					NP	
		WING ASSY COMPLETE-RH	EXTENDED RANGE	-----					NP	
		ATTACHING PARTS								
- 1	AN8-23A	BOLT	-----						1	
- 2	AN960-816	WASHER	-----						3	
- 3	MS20365-820C	NUT	-----						1	
- 4	AN7-20A	BOLT	-----						1	
- 5	AN960-716	WASHER	-----						1	
- 6	0512123-1	BUSHING	FWD SIDE	-----					1	
- 7	0512123	BUSHING	AFT SIDE	-----					1	
- 8	MS20365-720C	NUT	-----						1	
		*-----								
- 9	SEE FIG 18	AILERON INSTALLATION							1	
-10	SEE FIG 19	FLAP INSTALLATION							1	
-11	SEE FIG 16	FUEL CELL INSTALLATION	STANDARD RANGE	-----					1	
	SEE FIG 16	FUEL CELL INSTALLATION	EXTENDED RANGE	-----					1	
-12	S225-2	PLATE-INSPECTION	-----						AR	
-13	1222012-1	PLATE-INSPECTION	-----						1	
-14	S225-2	PLATE ASSY-AFT LH	-----						1	
	S225-2	PLATE ASSY-AFT RH	-----						1	
-15	S225-2	PLATE ASSY-FWD LH	-----						1	
	S225-2	PLATE ASSY-FWD RH	-----						1	
		ATTACHING PARTS								
	S1022Z8-8	SCREW	-----						3	
		*-----								
-16	S225-1	PLATE-INSPECTION	-----						3	
-17	S225-1	PLATE-INSPECTION	RH ONLY	-----					1	
		ATTACHING PARTS								
	S1021Z8-8	SCREW	-----						3	
		*-----								
-18	1220094-2	PLATE-INSPECTION	-----						1	
-19	1222022-1	PLATE-INSPECTION	-----						3	
		ATTACHING PARTS								
	S1022Z8-6	SCREW	-----						6	
	S1022Z8-8	SCREW	LH ONLY	-----					8	
		*-----								
-20	S1672-5	WING UNIT-STALL WARNING	LH WING ONLY	-----					1	
	0511062-15	WING UNIT-STALL WARNING	HEATED 12 VOLT	-----					1	
	S1672-9	WING UNIT-STALL WARNING	HEATED 24 VOLT	-----					1	
		ATTACHING PARTS								
	S1022Z8-6	SCREW	-----						4	
	NAS395-14-3	NUT	-----						1	
		*-----								
-21	SEE FIG 7	STRUCTURE ASSY-WING	STANDARD & EXTENDED RANGE	-----					1	
	0723200-5	TIP-ASSY-WING LH	-----						1	
	0723200-6	TIP ASSY-WING RH	-----						1	
		ATTACHING PARTS								
	AN525-832R8	SCREW	-----						12	
		*-----								
	1570102-10	STRAP ASSY	-----						1	A B
	1570102-16	STRAP ASSY	-----						1	
-22	0723200-9	STIFFENER	USED ON UPPER LH TIP	-----					1	
	0723200-10	STIFFENER	USED ON UPPER RH TIP	-----					1	
	0723200-11	STIFFENER	USED ON LOWER LH TIP	-----					1	
	0723200-12	STIFFENER	USED ON LOWER RH TIP	-----					1	
-23	C622001-0201	LIGHT BASE ASSY-WING POSITION	-----						1	
		ATTACHING PARTS								
-24	AN507-632R8	SCREW	-----						3	
	NAS1329A06K120	NUTPLATE	-----						3	
		*-----								
-25	A7512-12	BULB-WING NAVIGATION LIGHT	12 VOLT	-----					1	C D
	MS25309-7512	BULB-WING NAVIGATION LIGHT	24 VOLT	-----					1	
-26	A1257A	GASKET-WING NAVIGATION LIGHT	GMC	-----					1	
-27	A1280-2	LENS-WING NAVIGATION LIGHT	RED GMC	-----					1	
	A1280-3	LENS-WING NAVIGATION LIGHT	GREEN GMC	-----					1	

CONTINUED ON NEXT PAGE



# 182 & T182 Parts Catalog

FIGURE AND INDEX NO.	PART NUMBER	DESCRIPTION							UNITS PER ASSY	USABLE ON CODE	
		1	2	3	4	5	6	7			
5 -	C622006-0101	STROBE TUBE & LENS ASSY -----							1	C D C D	
	C622006-0107	STROBE TUBE & LENS ASSY -----							1		
-28	C622006-0106	STROBE TUBE ASSY -----							1		
	C622006-0108	STROBE TUBE ASSY -----							1		
-29	C622006-0103	LENS-STROBE -----							1		
-30	C622006-0105	GASKET-LENS -----							1		
-31	0723201-3	SHIELD-WING POSITION LIGHT LH WITH STROBE LIGHT -----							1		
	0723201-4	SHIELD-WING POSITION LIGHT RH WITH STROBE LIGHT -----							1		
	0723201-1	SHIELD-WING POSITION LIGHT LH LESS STROBE LIGHT -----							1		
	0723201-2	SHIELD-WING POSITION LIGHT RH LESS STROBE LIGHT -----							1		
		ATTACHING PARTS									
-32	AN507-632R8	SCREW -----							2		
-33	AN507-632R12	SCREW -----							1		
	NAS1329A06K120	NUT -----							2		
		*-----									
-34	0720618-1	FILLET ASSY-WING TO FUSELAGE LEADING EDGE LH -----							1		A B A B
	0720619-1	FILLET ASSY-WING TO FUSELAGE LEADING EDGE LH -----							1		
	0720618-2	FILLET ASSY-WING TO FUSELAGE LEADING EDGE RH -----							1		
	0720619-2	FILLET ASSY-WING TO FUSELAGE LEADING EDGE RH -----							1		
		ATTACHING PARTS									
-35	S102278-8	SCREW -----							2		
-36	S290D832	WASHER -----							2		
	AN507-832R6	SCREW -----							4		
		*-----									
-37	0520005-3	RUB-STRIP -----							1	A B B	
	S1078-1	SEALER 12.75 IN LG -----							1		
	S1389-10	SEALER STRIP -----							1		
-38	0720614-1	FAIRING-WING TO FUSELAGE LH -----							1		
	0720614-2	FAIRING-WING TO FUSELAGE RH -----							1		
		ATTACHING PARTS									
-39	S102278-8	SCREW -----							5		
	S290D832	WASHER -----							5		
		*-----									
-40	0720613-1	FAIRING ASSY-AFT-WING TO FUSELAGE LH -----							1		
	0720613-2	FAIRING ASSY-AFT-WING TO FUSELAGE RH -----							1		
		ATTACHING PARTS									
-41	S102178-6	SCREW -----							3		
-42	S102178-8	SCREW -----							1		
		*-----									
-43	S202RB	MOULDING 9.12 IN LG BLK REF S202RB9.12 -----							1	A	
-44	C592001-0201	STATIC DISCHARGER -----							2		
-45	1221201-3	DETECTOR-WING POSITION LIGHT LH -----							1		
	1221201-4	DETECTOR-WING POSITION LIGHT RH -----							1		
		*-----									
		NOTE. *WHEN ORDERING THIS PART SPECIFY 1/4 INCH OR 5/16 INCH DIAMETER									
		A---182 SERIAL 18262466 THRU 18264295 B---182 SERIAL 18264296 THRU 18266590 F182 SERIAL F18200001 THRU F18200094 C---182 SERIAL 18262466 THRU 18265965 F182 SERIAL F18200001 THRU F18200064 D---182 SERIAL 18265966 THRU 18266590 F182 SERIAL F18200065 THRU F18200094 E---182 SERIAL 18262466 THRU 18266590 F182 SERIAL F18200001 THRU F18200094									

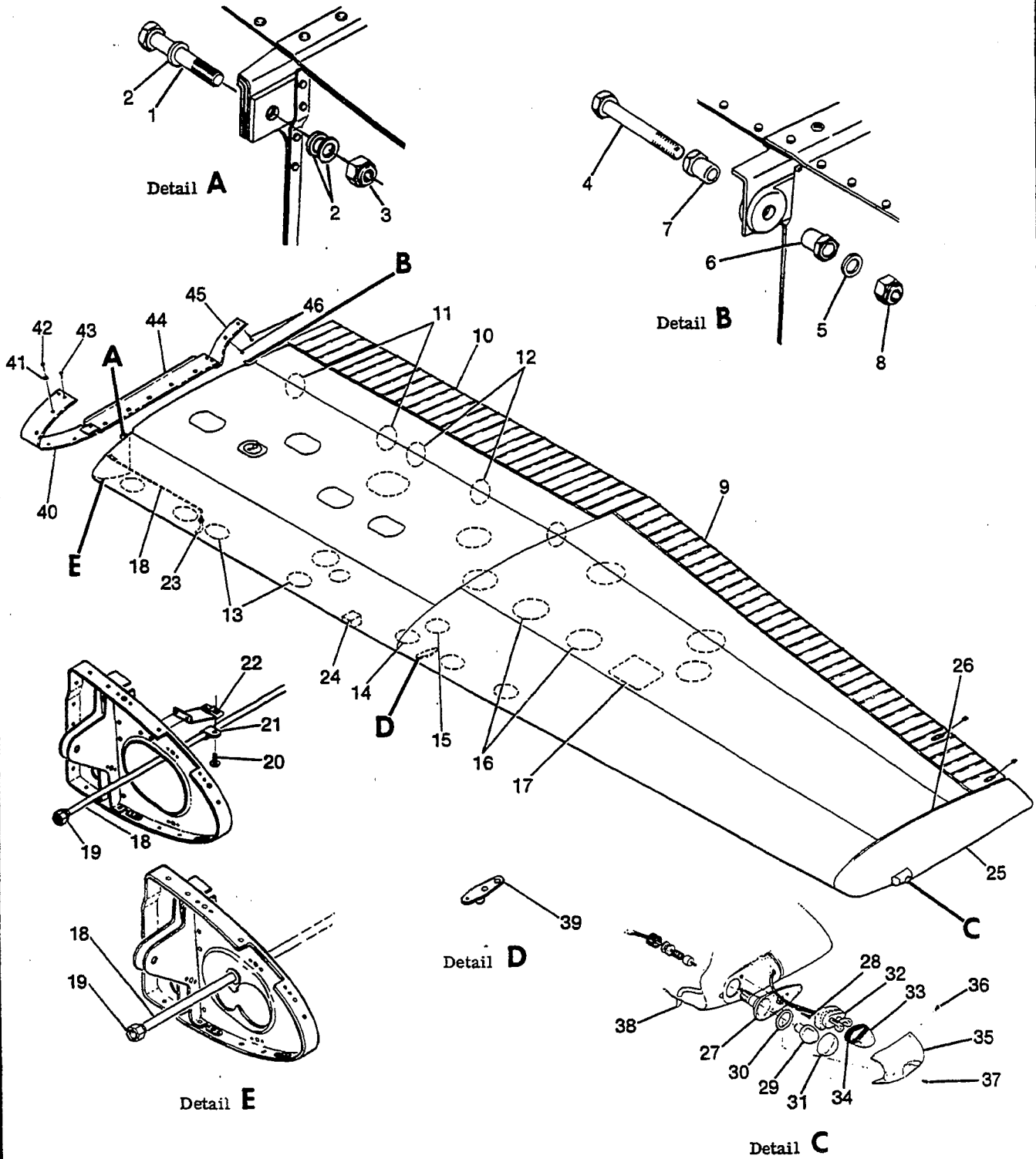
# 182 & T182 Parts Catalog

FIGURE AND INDEX NO.	PART NUMBER	DESCRIPTION							UNITS PER ASSY	USABLE ON CODE	
		1	2	3	4	5	6	7			
6 -		WING ASSEMBLY COMPLETE-LH -----							NP	A	
		WING ASSEMBLY COMPLETE-RH -----							NP	A	
		ATTACHING PARTS									
- 1	AN8-23A	BOLT -----							1		
- 2	AN960-816	WASHER -----							3		
- 3	MS20365-820C	NUT -----							1		
- 4	AN7-20A	BOLT -----							1		
- 5	AN960-716	WASHER -----							1		
- 6	0512123-1	BUSHING					FWD SIDE	1			
- 7	0512123-0	BUSHING					AFT SIDE	1			
- 8	MS20365-720C	NUT -----							1		
		*-----									
	SEE FIG 8	STRUCTURE ASSY -----							1		
- 9	SEE FIG 18	AILERON INSTALLATION -----							1		
-10	SEE FIG 19	FLAP INSTALLATION -----							1		
-11	S225-1	PLATE -----							4		
-12	S225-1	PLATE-RH ONLY -----							1		
		ATTACHING PARTS									
	S1021Z8-8	SCREW -----							3		
		*-----									
-13	S225-2	PLATE -----							8		
		ATTACHING PARTS									
	S1022Z8-8	SCREW -----							3		
		*-----									
-14	S225-4F	%	PLATE ASSY-LH WING					1			
-15	S225-4F		PLATE ASSY-LH WING					1			
			ATTACHING PARTS								
	S1022Z8-8		SCREW -----							3	
			*-----								
-16	1222022-1		PLATE -----							4	
			ATTACHING PARTS								
	S1022Z8-8		SCREW -----							6	
			*-----								
-17	1220094-2		COVER -----							1	B
			ATTACHING PARTS								
	S1022Z8-8		SCREW -----							8	B
			*-----								
-18	S1071-1		TUBE 63.7 IN LE	BKI	REF. S1071-1-63.7	-----		1			
			ATTACHING PARTS								
-19	S1130-1		NUT -----							2	
	S1131-1		INSERT -----							2	
-20	S1021Z8-8		SCREW -----							3	
-21	AN742D4		CLAMP -----							3	
-22	NAS395-16-3		NUT -----							3	
			*-----								
-23	SEE FIG 166		PITOT ASSY -----							1	
-24	S1672-5		WING UNIT-STALL WARNING					LH WING ONLY	1		
	S1672-9		WING UNIT-STALL WARNING					LH WING ONLY HEATED	1		
			ATTACHING PARTS								
	S1022Z8-6		SCREW -----							4	
	NAS395-14-3		NUT -----							4	
			*-----								

CONTINUED ON NEXT PAGE

# 182 & T182 Parts Catalog

Wing



182 SERIAL 18266591 & ON  
F182 SERIAL F1820095 THRU F18200169  
T182 SERIAL 18267716 & ON

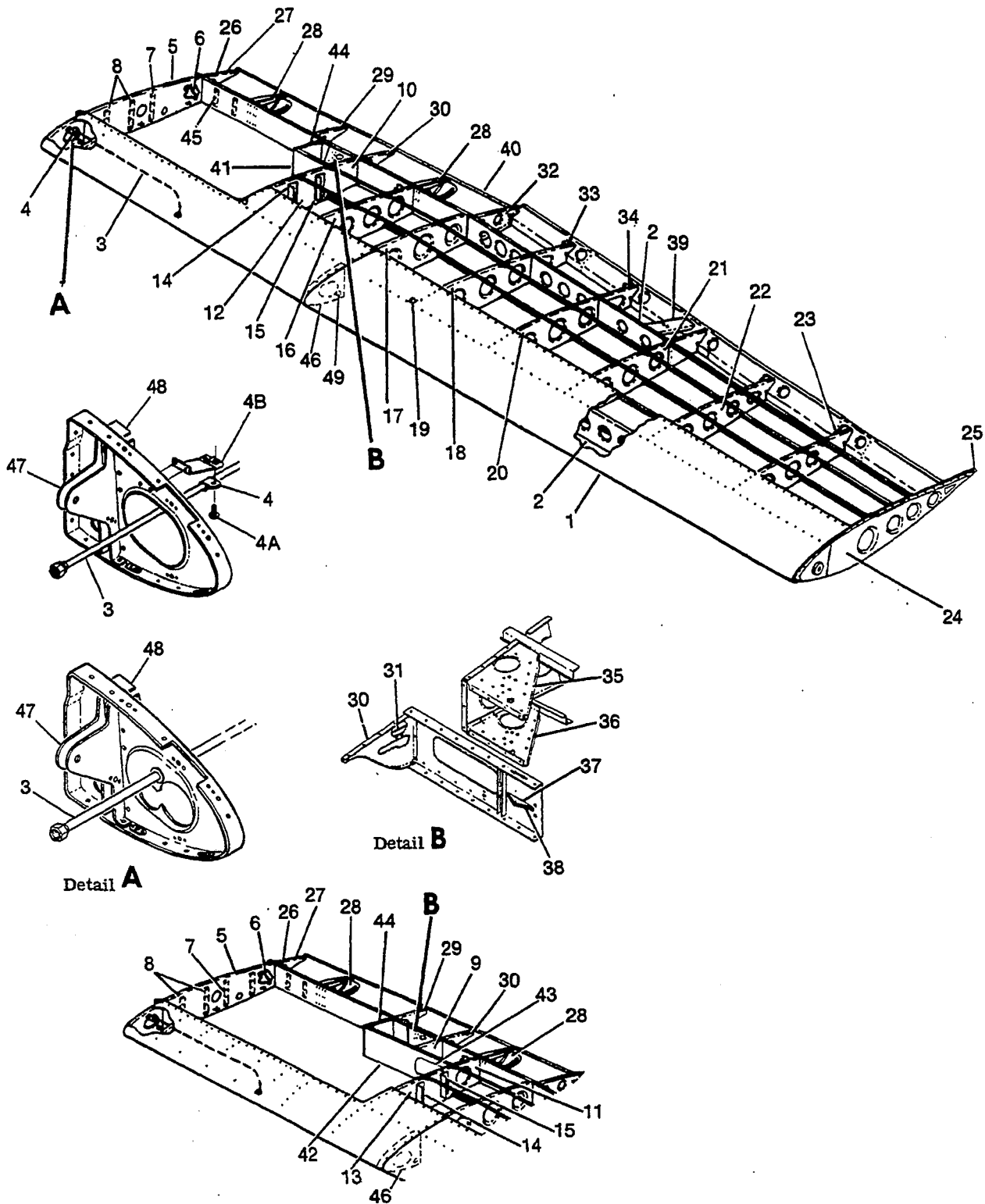
Figure 6. Wing Assembly Complete

# 182 & T182 Parts Catalog

FIGURE AND INDEX NO.	PART NUMBER	DESCRIPTION							UNITS PER ASSY	USABLE ON CODE
		1	2	3	4	5	6	7		
6 -25	0723200-5	TIP ASSY-LH WING -----							1	
	0723200-6	TIP ASSY-RH WING -----							1	
	AN525-832R8	ATTACHING PARTS								
		SCREW -----							12	
		*-----								
-26	0523565-21	STIFFENER UPPER LH & LOWER RH -----							1	
	0523565-22	STIFFENER LOWER LH & UPPER RH -----							1	
-27	C622001-0201	LIGHT BASE ASSY-WING POSITION -----							1	
		ATTACHING PARTS								
-28	AN507-632R8	SCREW -----							3	
	NAS1329A06K120	NUTPLATE -----							3	
		*-----								
-29	MS25309-7512	BULB-WING NAVIGATION LIGHT 24 VOLT -----							1	
-30	A1257A	GASKET-WING NAVIGATION LIGHT GMC -----							1	
-31	A1280-2	LENS-WING NAVIGATION LIGHT RED GMC -----							1	
	A1280-3	LENS-WING NAVIGATION LIGHT GREEN GMC -----							1	
	C622006-0107	STROBE TUBE & LENS ASSY -----							1	
-32	C622006-0108	STROBE TUBE ASSY -----							1	
-33	C622006-0103	LENS-STROBE -----							1	
-34	C622006-0105	GASKET-LENS -----							1	
-35	0723201-3	SHIELD-WING POSITION LIGHT LH WITH STROBE LIGHT -----							1	
	0723201-4	SHIELD-WING POSITION LIGHT RH WITH STROBE LIGHT -----							1	
	0723201-1	SHIELD-WING POSITION LIGHT LH WITHOUT STROBE LIGHT -----							1	
	0723201-2	SHIELD-WING POSITION LIGHT RH WITHOUT STROBE LIGHT -----							1	
		ATTACHING PARTS								
-36	AN507-632R8	SCREW -----							2	
-37	AN507-632R12	SCREW -----							1	
	NAS1329A06K120	NUT -----							2	
		*-----								
-38	1221201-3	DETECTOR-WING POSITION LIGHT LH -----							1	
	1221201-4	DETECTOR-WING POSITION LIGHT RH -----							1	
-39	2222001-1	JACK POINT ASSY -----							1	
-40	0720619-5	FILLET ASSY-WING TO FUSELAGE LEADING EDGE LH -----							1	
	0720619-6	FILLET ASSY-WING TO FUSELAGE LEADING EDGE RH -----							1	
		ATTACHING PARTS								
-41	S1022Z8-8	SCREW -----							4	
-42	S290D832	WASHER -----							4	
-43	AN507-832R6	SCREW -----							2	
		*-----								
	S1078-1	SEALER 12.75 IN LG -----							1	
	S1389-10	SEALER STRIP FELT -----							1	
-44	0720017-3	FAIRING ASSY-WING TO FUSELAGE LH -----							1	
	0720017-4	FAIRING ASSY-WING TO FUSELAGE RH -----							1	
		ATTACHING PARTS								
	S1022Z8-8	SCREW -----							5	
	S290D832	WASHER -----							5	
		*-----								
-45	0720613-1	FAIRING ASSY-WING TO FUSELAGE TRAILING EDGE LH -----							1	
	0720613-2	FAIRING ASSY-WING TO FUSELAGE TRAILING EDGE RH -----							1	
		ATTACHING PARTS								
-46	S1022Z8-8	SCREW -----							2	
	S1021Z8-6	SCREW -----							2	
		*-----								
		NOTE. *WHEN ORDERING THIS PART SPECIFY 1/4 INCH OR 5/16 INCH DIAMETER								
		NOTE. %WHEN INITIALLY ORDERING THIS PART FOR AIRCRAFT PRIOR TO SERIAL 18268475 ALSO ORDER (6) S1022Z8-8.								
		A---182 SERIAL 18266591 & ON F182 SERIAL F18200095 THRU F18200169 T182 SERIAL 18267716 & ON								
		B---182 SERIAL 18266591 THRU 18268055 T182 SERIAL 18267716 THRU 18268055								

# 182 & T182 Parts Catalog

Wing (Cont)



EXTENDED RANGE FUEL BAY

**182 SERIAL 18262466 THRU 18266590**  
**F182 SERIAL F18200001 THRU F18200094**

Figure 7. Wing Structure Assembly

# 182 & T182 Parts Catalog

FIGURE AND INDEX NO.	PART NUMBER		DESCRIPTION							UNITS PER ASSY	USABLE ON CODE
			1	2	3	4	5	6	7		
7 -	0722182-43	%	STRUCTURE ASSY-LH WING	-----	-----	-----	-----	-----	-----	1	A A A A
	0722182-41	%	STRUCTURE ASSY-LH WING	EXTENDED RANGE	-----	-----	-----	-----	-----	1	
	0722182-44	%	STRUCTURE ASSY-RH WING	-----	-----	-----	-----	-----	-----	1	
	0722182-42	%	STRUCTURE ASSY-RH WING	EXTENDED RANGE	-----	-----	-----	-----	-----	1	
- 1	SEE FIG 10		LEADING EDGE ASSEMBLIES-WING	-----	-----	-----	-----	-----	-----	1	
	SEE FIG 14		SKINS & STRINGERS INSTALLATION	-----	-----	-----	-----	-----	-----	1	
- 2	SEE FIG 12		SPAR ASSEMBLIES	-----	-----	-----	-----	-----	-----	1	
	S1131-1		INSERT	-----	-----	-----	-----	-----	-----	1	
- 3	S1071-1		TUBE 63.7 IN LG BULK ITEM REF S1071-1-63.7	-----	-----	-----	-----	-----	-----	1	
			ATTACHING PARTS	-----	-----	-----	-----	-----	-----		
- 4	AN742D4		CLAMP TIN	-----	-----	-----	-----	-----	-----	1	
- 4A	S102178-8		SCREW	-----	-----	-----	-----	-----	-----	1	
- 4B	NAS395-16-3		NUT	-----	-----	-----	-----	-----	-----	1	
			-----*	-----	-----	-----	-----	-----	-----		
- 5	0722017-1		RIB ASSEMBLY-WING ROOT LH	-----	-----	-----	-----	-----	-----	1	
	0722017-2		RIB ASSEMBLY-WING ROOT RH	-----	-----	-----	-----	-----	-----	1	
- 6	1221101-3		REINFORCEMENT-WING ROOT RIB LH	-----	-----	-----	-----	-----	-----	1	
	1221101-4		REINFORCEMENT-WING ROOT RIB RH	-----	-----	-----	-----	-----	-----	1	
- 7	0721100-6		ANGLE-STIFFENER	-----	-----	-----	-----	-----	-----	1	
- 8	0721100-7		ANGLE-STIFFENER	-----	-----	-----	-----	-----	-----	1	
- 9	1220019-18	*	RIB-LH	-----	-----	-----	-----	-----	-----	1	
	0720617-5	*	RIB-RH	-----	-----	-----	-----	-----	-----	1	
-10	0721111-21		RIB ASSEMBLY-WING FUEL BAY LH	-----	-----	-----	-----	-----	-----	1	
	0721111-25		RIB ASSEMBLY-WING FUEL BAY RH	-----	-----	-----	-----	-----	-----	1	
-11	1220019-19	*	RIB ASSEMBLY-LH STA 85.625	-----	-----	-----	-----	-----	-----	1	
	1220019-20	*	RIB ASSEMBLY-RH STA 85.625	-----	-----	-----	-----	-----	-----	1	
	NAS697A08		NUTPLATE	-----	-----	-----	-----	-----	-----	2	
-12	0721111-23		RIB-WING FUEL BAY LH	-----	-----	-----	-----	-----	-----	1	
	0721111-24		RIB-WING FUEL BAY RH	-----	-----	-----	-----	-----	-----	1	
-13	1220019-21	*	RIB-LH STA 85.625	-----	-----	-----	-----	-----	-----	1	
	1220019-22	*	RIB-RH STA 85.625	-----	-----	-----	-----	-----	-----	1	
-14	0721100-7		ANGLE-STIFFENER	-----	-----	-----	-----	-----	-----	2	
-15	0721100-6		ANGLE-STIFFENER	-----	-----	-----	-----	-----	-----	1	
-16	0722201-1		RIB-CENTER STA 85.375	-----	-----	-----	-----	-----	-----	1	
-17	0722194-1		RIB ASSY-CENTER WING LH STA 100.00 WEU 0722194-11	-----	-----	-----	-----	-----	-----	1	
	0722194-11		RIB ASSY-CENTER WING LH STA 100.00	-----	-----	-----	-----	-----	-----	1	
	0722194-2		RIB ASSY-CENTER WING RH STA 100.00 WEU 0722194-12	-----	-----	-----	-----	-----	-----	1	
	0722194-12		RIB ASSY-CENTER WING RH STA 100.00	-----	-----	-----	-----	-----	-----	1	
	0523510-25		DOUBLER-LH	-----	-----	-----	-----	-----	-----	1	
	0523510-26		DOUBLER-RH	-----	-----	-----	-----	-----	-----	1	
-18	0722195-1		RIB-CENTER STA 118.00	-----	-----	-----	-----	-----	-----	1	
-19	0523511-6		SPACER	-----	-----	-----	-----	-----	-----	1	
-20	0722196-2		RIB-CENTER STA 136.00	-----	-----	-----	-----	-----	-----	1	
-21	0722197-3		RIB ASSEMBLY-CENTER WING LH STA 154.00	-----	-----	-----	-----	-----	-----	1	
	0722197-4		RIB ASSEMBLY-CENTER WING RH STA 154.00	-----	-----	-----	-----	-----	-----	1	
-22	0722198-1		RIB-CENTER STA 172.00	-----	-----	-----	-----	-----	-----	1	
-23	0722199-1		RIB-CENTER STA 190.00	-----	-----	-----	-----	-----	-----	1	
-24	0722200-1		RIB ASSEMBLY-CENTER LH WING STA 208.00	-----	-----	-----	-----	-----	-----	1	
	0722200-2		RIB ASSEMBLY-CENTER RH WING STA 208.00	-----	-----	-----	-----	-----	-----	1	
	NAS686A08		NUTPLATE	-----	-----	-----	-----	-----	-----	10	
-25	0721107-1		FAIRING-TRAILING EDGE LH STA 208.00	-----	-----	-----	-----	-----	-----	1	
	0721107-2		FAIRING-TRAILING EDGE RH STA 208.00	-----	-----	-----	-----	-----	-----	1	
-26	0523232-2		RIB-TRAILING EDGE ROOT STA 23.625	-----	-----	-----	-----	-----	-----	1	
-27	NAS395-14-3		NUT	-----	-----	-----	-----	-----	-----	2	
-28	1221010-15		RIB ASSEMBLY-FLAP TRACK STA 39.00 & 85.88	-----	-----	-----	-----	-----	-----	2	
			ATTACHING PARTS	-----	-----	-----	-----	-----	-----		
	NAS221-8		SCREW	-----	-----	-----	-----	-----	-----	2	
	AN960-10		WASHER	-----	-----	-----	-----	-----	-----	2	
	MS21044N3		NUT	-----	-----	-----	-----	-----	-----	2	
			-----*	-----	-----	-----	-----	-----	-----		
-29	0523233-6		RIB-TRAILING EDGE LH STA 56.53	-----	-----	-----	-----	-----	-----	1	
	0523233-20		RIB-TRAILING EDGE RH STA 56.53	-----	-----	-----	-----	-----	-----	1	
-30	0523233-7		RIB ASSEMBLY-TRAILING EDGE STA 72.602	-----	-----	-----	-----	-----	-----	1	
-31	0523233-3		RUB STRIP	-----	-----	-----	-----	-----	-----	1	

CONTINUED ON NEXT PAGE

# 182 & T182 Parts Catalog

FIGURE AND INDEX NO.	PART NUMBER	DESCRIPTION							UNITS PER ASSY	USABLE ON CODE
		1	2	3	4	5	6	7		
7 -32	0523230	RIB ASSEMBLY-TRAILING EDGE WING LH	STA 100.50	-----					1	
	0523230-1	RIB ASSEMBLY-TRAILING EDGE WING RH	STA 100.50	-----					1	
	0523230-4	ANGLE-WING LH	-----						1	
	0523230-5	ANGLE-WING RH	-----						1	
-33	0523511-4	RIB-TRAILING EDGE	STA 118.00	-----					1	
-34	0523512-4	RIB-TRAILING EDGE	STA 136.00	-----					1	
-35	0721117-3	BRACKET-FLAP BELLCRANK UPPER LH	-----						1	
	0720606-5	DOUBLER-FLAP ACTUATOR UPPER RH	-----						1	
	0720606-3	DOUBLER-FLAP ACTUATOR UPPER RH	-----						1	
-36	0721117-1	BRACKET-FLAP BELLCRANK LOWER LH	-----						1	
	0720606-8	DOUBLER-FLAP ACTUATOR LOWER RH	-----						1	
	0720606-10	DOUBLER-FLAP ACTUATOR LOWER RH	-----						1	
-37	0760618-1	BRACKET-FLAP PULLEY UPPER LH	-----						1	
		ATTACHING PARTS								
	AN520-10R8	SCREW	-----						2	
	MS21044N3	NUT	-----						2	
		-----*								
-38	0523407-1	BRACKET-FLAP PULLEY UPPER RH	-----						1	
	0760618-2	BRACKET-FLAP PULLEY LOWER LH	-----						1	
		ATTACHING PARTS								
	AN520-10R8	SCREW	-----						2	
	MS21044N3	NUT	-----						2	
		-----*								
-39	0523407	BRACKET-FLAP PULLEY LOWER RH	-----						1	
	0523219-2	CHANNEL-AILERON BELLCRANK SUPPORT UPPER LH	-----						1	
	0523219-3	CHANNEL-AILERON BELLCRANK SUPPORT UPPER RH	-----						1	
	0523219-6	CHANNEL-AILERON BELLCRANK SUPPORT LOWER RH	-----						1	
	0523219-7	CHANNEL-AILERON BELLCRANK SUPPORT LOWER LH	-----						1	
-40	0720005-3	STIFFENER-TRAILING EDGE INBOARD	-----						1	
-41	0722012-11	BULKHEAD ASSEMBLY-LH	-----						1	
	0722012-16	BULKHEAD ASSEMBLY-RH	-----						1	
-42	1220019-13	BULKHEAD ASSEMBLY-LH	-----						1	
	1220019-35	BULKHEAD ASSEMBLY-RH	-----						1	
-43	1220019-17	CUP	-----						1	
-44	0721111-3	RIB-LH	STA 56.531	-----					1	
	0721111-33	RIB-RH	STA 56.531	-----					1	
-45	0760617-1	BRACKET ASSEMBLY-IDLER LH WING ONLY	-----						1	
-46	0722187-7	RIB-LEADING EDGE LH	STA 100.00	-----					1	
	0722187-8	RIB-LEADING EDGE RH	STA 100.00	-----					1	
-47	0760607-3	BRACKET ASSEMBLY-AILERON PULLEY LH	-----						1	
	0760607-4	BRACKET ASSEMBLY-AILERON PULLEY RH	-----						1	
-48	1220092-1	STIFFENER-LH	-----						1	
	1220092-2	STIFFENER-RH	-----						1	
-49	S1291-8	GROMMET 1LH & 1RH	-----						2	

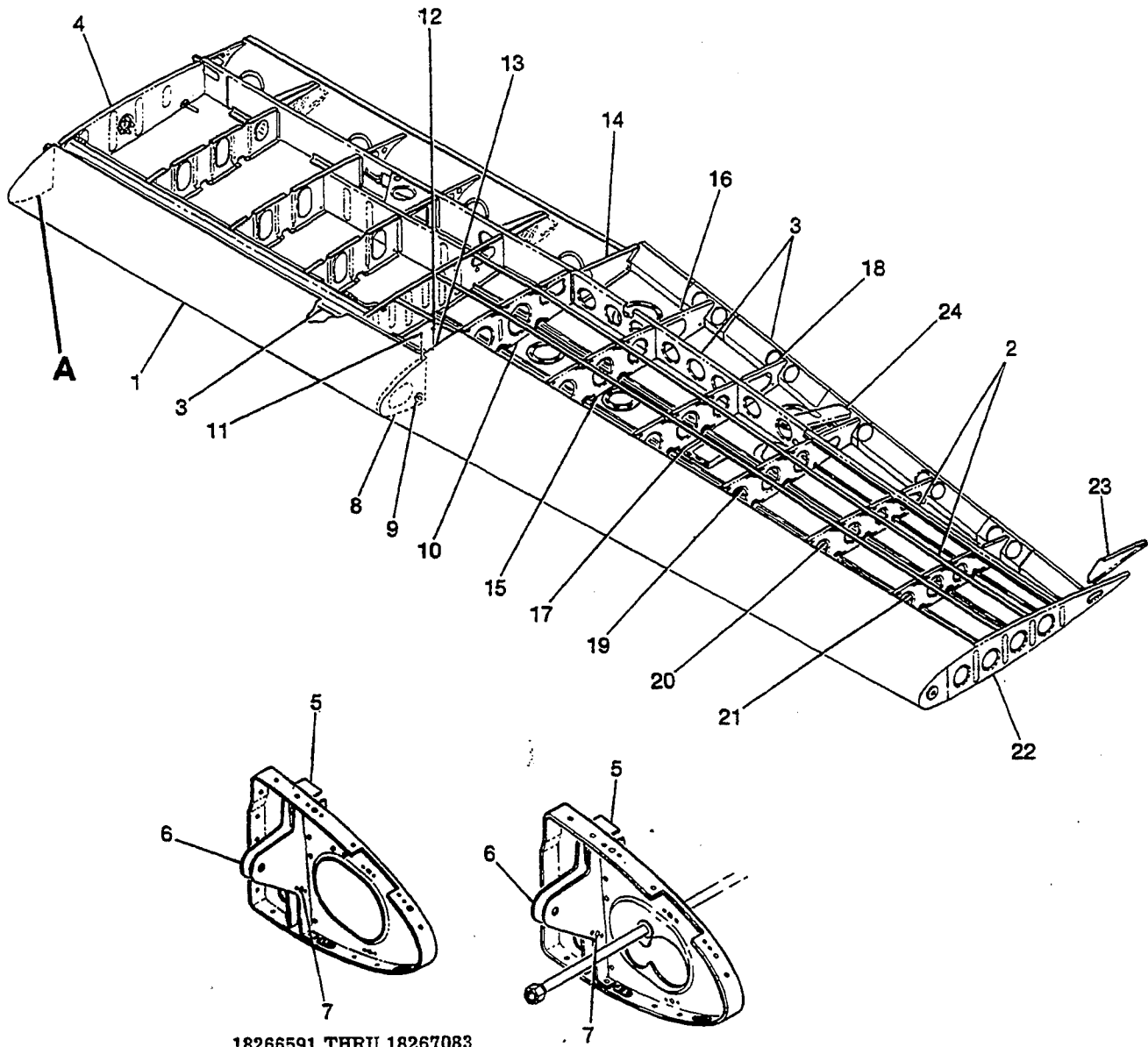
NOTE. \*DENOTES PARTS USED ON WING WITH EXTENDED RANGE FUEL TANK.

NOTE. WHEN INITIALLY ORDERING THIS PART PRIOR TO SERIAL 18265966 ALSO ORDER ONE 1200B12-1 SPACER TO REPLACE EXISTING WING STRUT ATTACH SPACER.

A---182 SERIAL 18262466 THRU 18266590  
F182 SERIAL F18200001 THRU F18200094

# 182 & T182 Parts Catalog

Wing (Cont)



18266591 THRU 18267083

Detail **A**

18267084 & ON

**182 SERIAL 18266591 & ON  
 F182 SERIAL F1820095 THRU F1820169  
 T182 SERIAL 18267716 & ON**

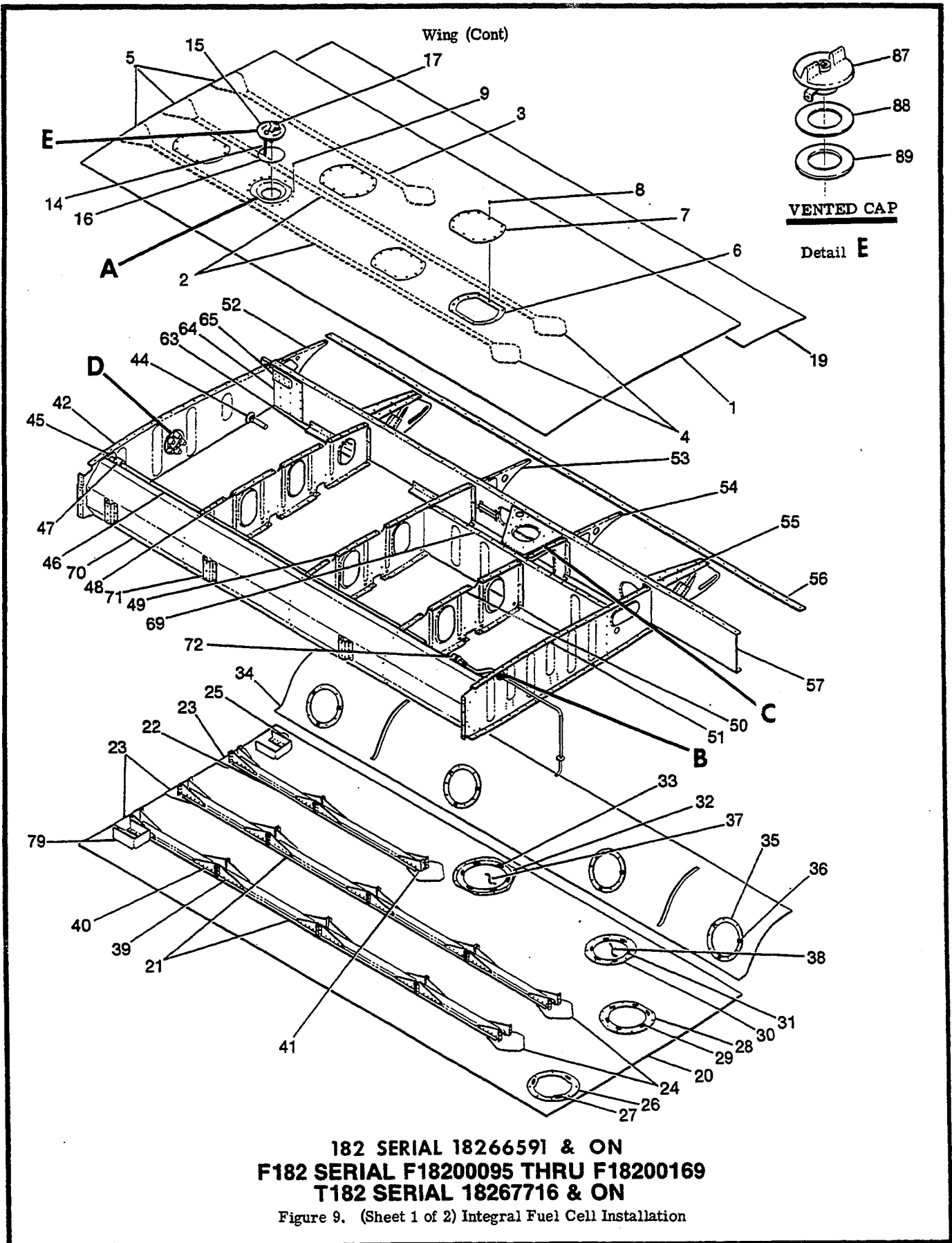
Figure 8. Wing Structure Assembly



# 182 & T182 Parts Catalog

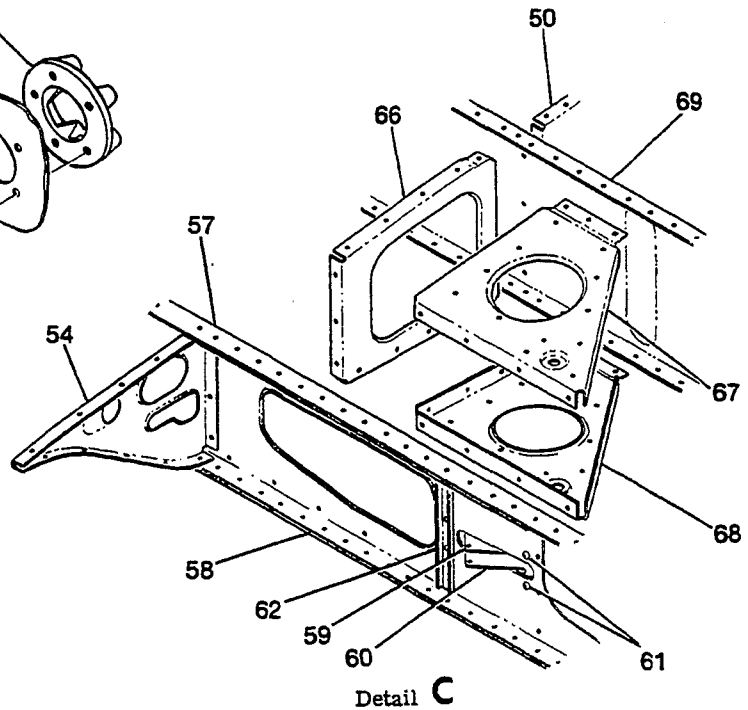
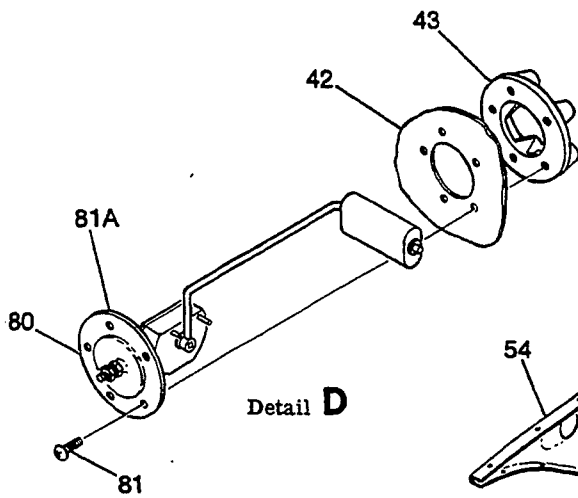
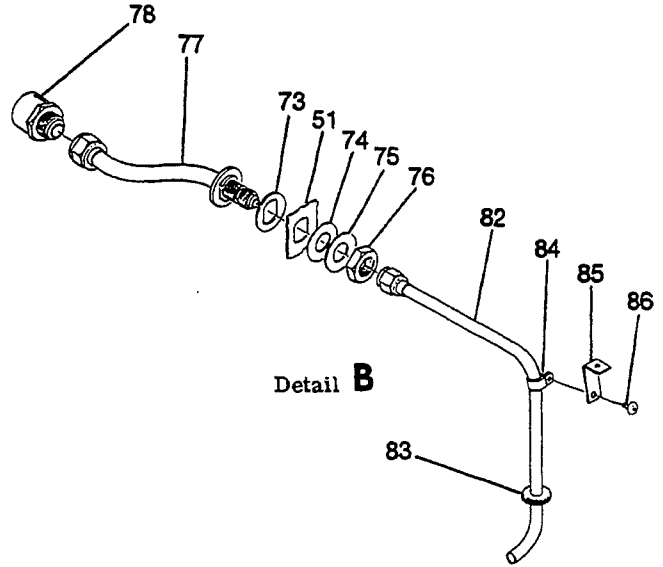
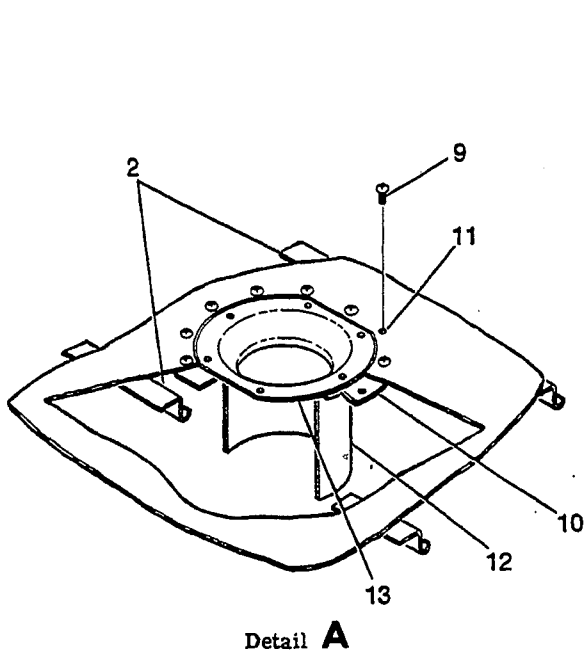
FIGURE AND INDEX NO.	PART NUMBER	DESCRIPTION	1 2 3 4 5 6 7							UNITS PER ASSY	USABLE ON CODE
			1	2	3	4	5	6	7		
8 -	0722000-1	STRUCTURE ASSY-LH WING -----								1	A C B D D E E
	0722000-13	STRUCTURE ASSY-LH WING -----								1	
	0722000-2	STRUCTURE ASSY-RH WING -----								1	
	0722000-19	STRUCTURE ASSY-LH WING -----								1	
	0722000-20	STRUCTURE ASSY-RH WING -----								1	
	0722000-23	STRUCTURE ASSY-LH WING -----								1	
	0722000-24	STRUCTURE ASSY-RH WING -----								1	
- 1	SEE FIG 11	LEADING EDGE ASSY -----								1	
- 2	SEE FIG 15	SKINS & STRINGERS INSTALLATION -----								1	
- 3	SEE FIG 13	SPAR ASSY -----								1	
- 4	SEE FIG 9	FUEL CELL ASSY-INTEGRAL -----								1	
- 5	1220092-1	STIFFENER-LH WING -----								1	
	1220092-2	STIFFENER-RH WING -----								1	
- 6	0760607-3	BRACKET ASSY-LH WING -----								1	
	0760607-4	BRACKET ASSY-RH WING -----								1	
- 7	NAS697A08	NUTPLATE -----								1	
	0760609-1	BRACKET WS.116-FRONT SPAR -----								1	
- 8	0722187-7	RIB-LEADING EDGE LH STA. 100.00 -----								1	
	0722187-8	RIB-LEADING EDGE RH STA. 100.00 -----								1	
- 9	S1291-8	GROMMET -----								1	
-10	0722194-11	RIB ASSY-LH STA. 100.00 -----								1	
	0722194-12	RIB ASSY-RH STA. 100.00 -----								1	
	0523510-25	DOUBLER-LH -----								1	
	0523510-26	DOUBLER-RH -----								1	
-11	AN525-10R6	SCREW -----								1	
-12	AN525-10R7	SCREW -----								1	
-13	NAS697A3	NUT -----								2	
-14	0523230-0	RIB ASSY-TRAILING EDGE LH STA. 100.50 -----								1	
	0523230-1	RIB ASSY-TRAILING EDGE RH STA. 100.50 -----								1	
	0523230-4	ANGLE-LH -----								1	
	0523230-5	ANGLE-RH -----								1	
-15	0722195-1	RIB STA. 118.00 -----								1	
-16	0523511-15	RIB-TRAILING EDGE STA. 118.00 -----								1	
-17	0722196-2	RIB STA. 136.00 -----								1	
-18	0523512-22	RIB-TRAILING EDGE STA. 136.00 -----								1	
-19	0722197-3	RIB ASSY-LH STA. 154.00 -----								1	
	0722197-4	RIB ASSY-RH STA. 154.00 -----								1	
-20	0722198-1	RIB STA. 172.00 -----								1	
-21	0722199-1	RIB STA. 190.00 -----								1	
-22	0722200-1	RIB ASSY-LH STA. 208.00 -----								1	
	0722200-2	RIB ASSY-RH STA. 208.00 -----								1	
	NAS686A08	NUTPLATE -----								10	
-23	0721107-1	FAIRING-LH -----								1	
	0721107-2	FAIRING-RH -----								1	
-24	0523219-2	CHANNEL-UPPER LH -----								1	
	0523219-3	CHANNEL-UPPER RH -----								1	
	0523219-7	CHANNEL-LWR LH -----								1	
	0523219-6	CHANNEL-LWR RH -----								1	
		<p>A---182 SERIAL 18266591 THRU 18267715            F182 SERIAL F18200095 THRU F18200169</p> <p>B---182 SERIAL 18266591 THRU 18268293            F182 SERIAL F18200095 THRU F18200169            T182 SERIAL 18267716 THRU 18268293</p> <p>C---182 &amp; T182 SERIAL 18267716 THRU 18268293</p> <p>D---182 &amp; T182 SERIAL 18268294 THRU 18268434</p> <p>E---182 &amp; T182 SERIAL 18268435 &amp; ON</p>									

# 182 & T182 Parts Catalog



# 182 & T182 Parts Catalog

Wing (Cont)



182 SERIAL 18266591 & ON  
F182 SERIAL F1820095 THRU F1820169  
T182 SERIAL 18267716 & ON

Figure 9. (Sheet 2 of 2) Integral Fuel Cell Installation

# 182 & T182 Parts Catalog

FIGURE AND INDEX NO.	PART NUMBER	DESCRIPTION	UNITS PER ASSY							USABLE ON CODE	
			1	2	3	4	5	6	7		
9 -		INTEGRAL FUEL CELL INSTALLATION -----								NP	
	0726013-1	FUEL CELL ASSY-INTEGRAL LH WING -----								1	A
	0726013-21	FUEL CELL ASSY-INTEGRAL LH WING -----								1	B
	0726013-27	FUEL CELL ASSY-INTEGRAL LH WING -----								1	H
	0726013-2	FUEL CELL ASSY-INTEGRAL RH WING -----								1	J
	0726013-26	FUEL CELL ASSY-INTEGRAL RH WING -----								1	K
- 1	0726013-3	SKIN ASSY-UPPER LH -----								1	J
	0726013-23	SKIN ASSY-UPPER LH -----								1	K
	0726013-4	SKIN ASSY-UPPER RH -----								1	J
	0726013-24	SKIN ASSY-UPPER RH -----								1	K
- 2	0726009-5	STRINGER -----								2	
- 3	0726009-6	STRINGER -----								1	
- 4	0726008-1	GUSSET -----								3	
- 5	0726008-2	GUSSET -----								3	
- 6	0523099-1	DOUBLER ASSY -----								4	
	NAS680A3K	NUT -----								12	
- 7	0523100-1	COVER-INSPECTION -----								4	
		ATTACHING PARTS -----									
- 8	AN525-10R7	SCREW -----								12	
		-----*									
	0726004-1	FILLER ASSY -----								1	K
	0726113-1	FILLER ASSY -----								1	J
		ATTACHING PARTS -----									
- 9	AN525-10R7	SCREW -----								12	
		-----*									
-10	0726004-2	ADAPTOR -----								1	K
	0726113-1	ADAPTOR -----								1	J
-11	NAS680A3	NUT -----								12	
-12	1222033-2	INDICATOR -----								1	K
	0523101-3	INDICATOR -----								1	J
-13	C156001-0103	ADAPTOR -----								1	K
	0426011-8	CAP ADAPTOR-FUEL FILLER NECK -----								1	J
-14	C156001-0104	CHAIN WISCO -----								1	
-15	C156001-0106	FUEL CAP ASSY-VENTED WEU C156001-0110 -----								1	F
	C156001-0110	FUEL CAP ASSY-VENTED -----								1	G
	SK182-65	SEAL KIT-FUEL CAP FOR METAL & PLASTIC CAPS -----								1	
	4197	STEM O-RING WISO METAL & PLASTIC CAPS -----								1	
-16		OUTER SEAL-FUEL CAP FSO SK182-65 -----								NP	
	4708	VENT CHECK VALVE WISO METAL & PLASTIC CAPS -----								1	
-17	4189	HANDLE WISO METAL CAPS -----								1	
	5144	HANDLE WISO PLASTIC CAPS -----								1	
	4199	PIN-HANDLE WISO METAL CAPS -----								1	
	5147	PIN-HANDLE WISO PLASTIC CAPS -----								1	
-18		DELETED -----									
-19	0720601-21	SKIN-UPPER TRAILING EDGE -----								1	
-20	0726013-5	SKIN-LWR LH -----								1	
	0726013-6	SKIN-LWR RH -----								1	
-21	0726027-5	STRINGER-LH -----								2	
	0726027-6	STRINGER-RH -----								2	
-22	0726027-7	STRINGER-LH -----								1	
	0726027-8	STRINGER-RH -----								1	
-23	0726008-4	GUSSET -----								3	
-24	0726008-3	GUSSET -----								3	
-25	1726048-2	BOSS -----								1	
	SEE FIG 17	VALVE-FUEL DRAIN -----								1	
	1726049-1	CLIP-FUEL DRAIN PLUG SAFETY WIRE ATTACH -----								1	
	AN3H3A	BOLT FUEL DRAIN PLUG SAFETY WIRE ATTACH -----								1	
	AN96010L	WASHER -----								1	
	MS21044N3	NUT -----								1	
-26	S226-2	DOUBLER ASSY-INSPECTION -----								1	
	S226-5	DOUBLER ASSY-INSPECTION -----								1	
-27	S1860-2A	NUT -----								3	
	S1860-2A	NUT -----								6	
-28	1222021-1	DOUBLER ASSY-INSPECTION -----								1	
-29	S1860-2A	NUT -----								6	
-30	1220007-30	DOUBLER ASSY-INSPECTION -----								1	
-31	S1860-2A	NUT -----								6	
-32	1222013-7	DOUBLER ASSY-ACCESS LH ONLY -----								1	
-33	S1860-2A	NUT -----								6	
	1222013-8	DOUBLER ASSY-ACCESS RH ONLY -----								1	
	S1860-2A	NUT -----								6	

CONTINUED ON NEXT PAGE

# 182 & T182 Parts Catalog

FIGURE AND INDEX NO.	PART NUMBER	DESCRIPTION							UNITS PER ASSY	USABLE ON CODE
		1	2	3	4	5	6	7		
9 -	0720601-101	SKIN-TRAILING EDGE	LWR	LH	-----	-----	-----	-----	1	
	0720601-100	SKIN-TRAILING EDGE	LWR	RH	-----	-----	-----	-----	1	
-35	S237-2	DOUBLER ASSY	-----	-----	-----	-----	-----	-----	4	
-36	NAS395-14-3	NUT	-----	-----	-----	-----	-----	-----	3	
	S237-2	DOUBLER ASSY	WS	59.68	RH ONLY	-----	-----	-----	1	
	NAS395-14-3	NUT	-----	-----	-----	-----	-----	-----	3	
-37	1222012-1	PLATE-COVER	-----	-----	-----	-----	-----	-----	1	
-38	S225-4	PLATE-COVER	-----	-----	-----	-----	-----	-----	1	
		ATTACHING PARTS	-----	-----	-----	-----	-----	-----		
	S102278-6	SCREW	-----	-----	-----	-----	-----	-----	6	
		*-----	-----	-----	-----	-----	-----	-----		
-39	0523102-1	GUSSET	LH	FUEL CELL	-----	-----	-----	-----	20	
	0523102-1	GUSSET	RH	FUEL CELL	-----	-----	-----	-----	19	
-40	0523102-2	GUSSET	LH	FUEL CELL	-----	-----	-----	-----	19	
	0523102-2	GUSSET	RH	FUEL CELL	-----	-----	-----	-----	20	
-41	0726030-1	GUSSET	LH	FUEL CELL	-----	-----	-----	-----	1	
	0726030-2	GUSSET	RH	FUEL CELL	-----	-----	-----	-----	1	
-42	0726003-1	RIB ASSY-WING ROOT	LH	STA. 23.625	WEU 0726003-11	-----	-----	-----	1	B
	0726003-11	RIB ASSY-WING ROOT	LH	STA. 23.625	-----	-----	-----	-----	1	L
	0726003-7	RIB ASSY-WING ROOT	LH	STA. 23.625	WEU 0726003-13	-----	-----	-----	1	M
	0726003-13	RIB ASSY-WING ROOT	LH	STA. 23.625	-----	-----	-----	-----	1	L
	0726003-2	RIB ASSY-WING ROOT	RH	STA. 23.625	WEU 0726003-12	-----	-----	-----	1	N
	S186-3	NUT	-----	-----	-----	-----	-----	-----	5	
	S2364-2	TERMINAL	-----	-----	-----	-----	-----	-----	1	
-43	1716008-1	NUTRING	-----	-----	-----	-----	-----	-----	1	
	S1588-2	GASKET	-----	-----	-----	-----	-----	-----	1	
-44	0726020-1	FUEL STRAINER ASSY-AFT	-----	-----	-----	-----	-----	-----	1	
	0726022-1	FITTING ASSY	-----	-----	-----	-----	-----	-----	1	
	0726025-1	SCREEN	-----	-----	-----	-----	-----	-----	1	
	S2357-1	CLAMP	-----	-----	-----	-----	-----	-----	1	
-45	0726029-1	FITTING ASSY	FUEL VENT	-----	-----	-----	-----	-----	1	B
	0726038-1	FITTING ASSY-FUEL VENT	-----	-----	-----	-----	-----	-----	1	C
	0726019-1	FUEL STRAINER ASSY-LH FWD	-----	-----	-----	-----	-----	-----	1	
	0726019-2	FUEL STRAINER ASSY-RH FWD	-----	-----	-----	-----	-----	-----	1	
	0726021-1	FITTING ASSY-LH	-----	-----	-----	-----	-----	-----	1	
	0726021-2	FITTING ASSY-RH	-----	-----	-----	-----	-----	-----	1	
	0726025-1	SCREEN	-----	-----	-----	-----	-----	-----	1	
	S1891-6	CLAMP	-----	-----	-----	-----	-----	-----	1	
-46	0716614-8	TUBE	-----	-----	-----	-----	-----	-----	1	
		ATTACHING PARTS	-----	-----	-----	-----	-----	-----		
-47	S1495-6	HOSE-1.5 IN LG	BKI	REF. S1495-6-1.5	-----	-----	-----	-----	1	
	S1494-8	CLAMP	-----	-----	-----	-----	-----	-----	2	
	S1291-6	GROMMET	-----	-----	-----	-----	-----	-----	3	
		*-----	-----	-----	-----	-----	-----	-----		
-48	0523082-1	RIB	STA. 40.125	-----	-----	-----	-----	-----	1	
-49	0523082-3	RIB	STA. 56.78	LH	-----	-----	-----	-----	1	
	0523082-4	RIB	STA. 56.78	RH	-----	-----	-----	-----	1	
-50	0523082-2	RIB	STA. 72.44	-----	-----	-----	-----	-----	1	
-51	0726010-1	RIB-CLOSURE	STA. 85.96	LH	-----	-----	-----	-----	1	
	0726010-2	RIB-CLOSURE	STA. 85.96	RH	-----	-----	-----	-----	1	
-52	0523232-9	RIB-TRAILING EDGE	STA. 23.625	-----	-----	-----	-----	-----	1	
-53	0523233-6	RIB-TRAILING EDGE	STA. 56.78	LH	-----	-----	-----	-----	1	
	0523233-20	RIB-TRAILING EDGE	STA. 56.78	RH	-----	-----	-----	-----	1	
-54	0523233-7	RIB ASSY-TRAILING EDGE	STA. 72.44	-----	-----	-----	-----	-----	1	
	0523233-3	RUB STRIP	-----	-----	-----	-----	-----	-----	1	
-55	1221010-15	RIB ASSY-FLAP TRACK	STA. 39.00 & STA. 85.88	-----	-----	-----	-----	-----	2	
		ATTACHING PARTS	-----	-----	-----	-----	-----	-----		
	NAS221-8	SCREW	-----	-----	-----	-----	-----	-----	2	
	AN960-10	WASHER	-----	-----	-----	-----	-----	-----	2	
	MS21044N3	NUT	-----	-----	-----	-----	-----	-----	2	
		*-----	-----	-----	-----	-----	-----	-----		
	MS35489-385	GROMMET	-----	-----	-----	-----	-----	-----	1	

CONTINUED ON NEXT PAGE

# 182 & T182 Parts Catalog

FIGURE AND INDEX NO.	PART NUMBER	DESCRIPTION							UNITS PER ASSY	USABLE ON CODE
		1	2	3	4	5	6	7		
9 -56	0720005-3	STIFFENER-TRAILING EDGE -----							1	
-57	0726014-1	SPAR ASSY-AFT LH INBD -----							1	
	0726014-2	SPAR ASSY-AFT RH INBD -----							1	
-58	0726014-5	DOUBLER-LH -----							1	
	0726014-6	DOUBLER-RH -----							1	
-59	0760618-1	BRACKET-LH UPPER -----							1	
	0523407-1	BRACKET-PULLEY RH UPPER -----							1	
-60	0760618-2	BRACKET-LH LWR -----							1	
	0523407-0	BRACKET-PULLEY RH LWR -----							1	
-61	AN520-10R8	ATTACHING PARTS								
	MS21044N3	SCREW-LH SPAR ONLY -----							2	
		NUT-LH SPAR ONLY -----							2	
-62	0523049-2	CHANNEL STA. 45.45 & STA. 61.628 -----							2	
	0523049-1	CHANNEL STA. 29.375 & STA. 34.375 -----							2	
	0523049-4	CHANNEL STA. 51.47 -----							1	
-63	0726028-1	STIFFENER -----							2	
	0523400-20	ANGLSTA. 34.375 LH SPAR -----							1	
	0523400-21	ANGLE-STA. 34.375 RH SPAR -----							1	
-64	1620058-3	DOUBLER -----							1	
-65	0422229-17	FITTING-WING SPAR REINFORCEMENT -----							2	
	0760617-1	BRACKET ASSY-INDLER STA. 32.875 LH SPAR ONLY -----							1	
-66	1220019-18	RIB-STA. 72.44 LH CELL -----							1	
	0720617-5	RIB-STA. 72.44 RH CELL -----							1	
-67	0721112-7	BRACKET-UPPER LH CELL -----							1	
	0720606-14	BRACKET-UPPER RH CELL -----							1	
-68	0721112-5	BRACKET-LOWER LH CELL -----							1	
	0720606-15	BRACKET-LOWER RH CELL -----							1	
-69	0726005-3	BULKHEAD-LH -----							1	
	0726005-2	BULKHEAD ASSY-RH -----							1	
-70	0523079-5	FUEL SPAR ASSY-LH -----							1	
	0523079-6	FUEL SPAR ASSY-RH -----							1	
-71	0523081-1	STIFFENER -----							3	
-72	0523553-5	VALVE ASSY LH-FUEL CELL VENT -----							1	
	0523553-6	VALVE ASSY-RH CELL -----							1	
-73	0523554-1	ATTACHING PARTS								
-74	0523554-2	GASKET-INBD -----							1	
-75	S1450-21-20-063	GASKET-OUTBD -----							1	
-76	AN924-6D	WASHER -----							1	
		NUT -----							1	
-77	0523552-2	WELD ASSY-LH -----							1	
	0523552-3	WELD ASSY-RH -----							1	
-78	S2359-1	VALVE ASSY -----							1	
-79	0726031-1	BAFFLE-FUEL -----							2	
-80	C668050-0301	FUEL TRANSMITTER-LH CELL -----							1	
	C668050-0302	FUEL TRANSMITTER-RH CELL -----							1	
-81	AN515-10R10	ATTACHING PARTS								
		SCREW -----							5	
-81A	S2670-1	GASKET -----							1	
-82	1200106-266	VENT LINE-LH CELL -----							1	
	1200106-267	VENT LINE-RH CELL -----							1	
-83	MS35489-11	ATTACHING PARTS								
-84	S1486D66U	GROMMET -----							1	
-85	0512006-1	CLAMP -----							1	
-86	S102178-8	ANGLE -----							1	
		SCREW -----							1	
		-----*								

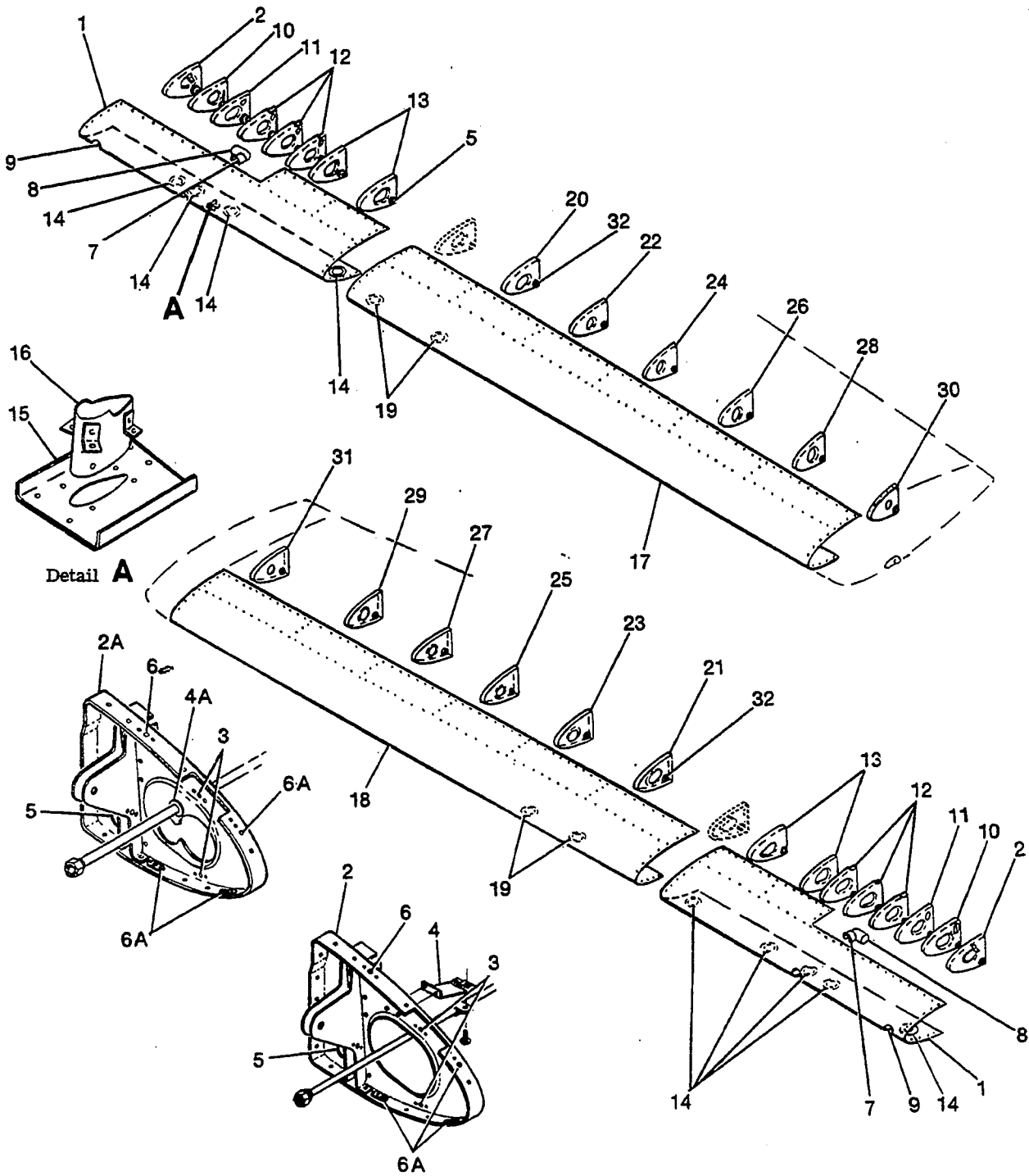
CONTINUED ON NEXT PAGE

# 182 & T182 Parts Catalog

FIGURE AND INDEX NO.	PART NUMBER	DESCRIPTION	UNITS PER ASSY	USABLE ON CODE
		1 2 3 4 5 6 7		
9 -87	C156003-0101	CAP ASSY-FUEL -----	1	J
-88	4970	FRICIONLESS WASHER 2.44 O.D. WISO -----	1	J
	487-3	FRICIONLESS WASHER 2.62 O.D. SADA -----	1	J
-89	4969	GASKET-FUEL CAP 2.44 O.D. WISO -----	1	J
	487-4	GASKET-FUEL CAP 2.62 O.D. SADA -----	1	J
<p>NOTE. *THESE ITEMS ARE LISTED ONLY FOR MAKING SPLICE REPAIRS TO EXISTING PARTS, WHICH ARE IMPRACTICAL TO REPLACE. SEE SERVICE MANUAL FOR REPAIR &amp; SEALING PROCEDURES.</p> <p>NOTE. <del>WHEN</del> WHEN INITIALLY ORDERING THIS PART FOR AIRCRAFT PRIOR TO SERIAL 18268475 ALSO ORDER (1) S225-4F INSPECTION PLATE &amp; (6) S1022Z8-8 SCREWS.</p> <p>NOTE. **WHEN ORDERING THIS PART FOR AIRCRAFT SERIAL 18268457 &amp; ON REFER TO SERVICE BULLETIN SEB85-2.</p> <p>A---182 SERIAL 18266591 &amp; ON F182 SERIAL F18200095 THRU F18200169</p> <p>B---182 SERIAL 18266591 THRU 18267715 F182 SERIAL F18200095 THRU F18200169</p> <p>C---182 &amp; T182 SERIAL 18267716 &amp; ON</p> <p>D---182 SERIAL 18266591 THRU 18267693 F182 SERIAL F18200095 THRU F18200169</p> <p>E---182 SERIAL 18267694 &amp; ON T182 SERIAL 18267716 &amp; ON</p> <p>F---182 SERIAL 18266591 THRU 18268383 F182 SERIAL F18200095 THRU F18200169 T182 SERIAL 18267716 THRU 18268383</p> <p>G---182 &amp; T182 SERIAL 18268384 &amp; ON</p> <p>H---182 &amp; T182 SERIAL 18267716 THRU 18268434</p> <p>J---182 &amp; T182 SERIAL 18268435 &amp; ON</p> <p>K---182 SERIAL 18266591 THRU 18268434 F182 SERIAL F18200095 THRU F18200169 T182 SERIAL 18267716 THRU 18268434</p> <p>L---182 SERIAL 18268457 &amp; ON</p> <p>M---182 &amp; T182 SERIAL 18267716 THRU 18268456</p> <p>N---182 SERIAL 18266591 THRU 18268456 F182 SERIAL F18200095 THRU F18200169 T182 SERIAL 18267716 THRU 18268456</p>				

# 182 & T182 Parts Catalog

Wing (Cont)



**182 SERIAL 18262466 THRU 18266590**  
**F182 SERIAL F18200001 THRU F18200094**

Figure 10. Wing Leading Edge Assembly



# 182 & T182 Parts Catalog

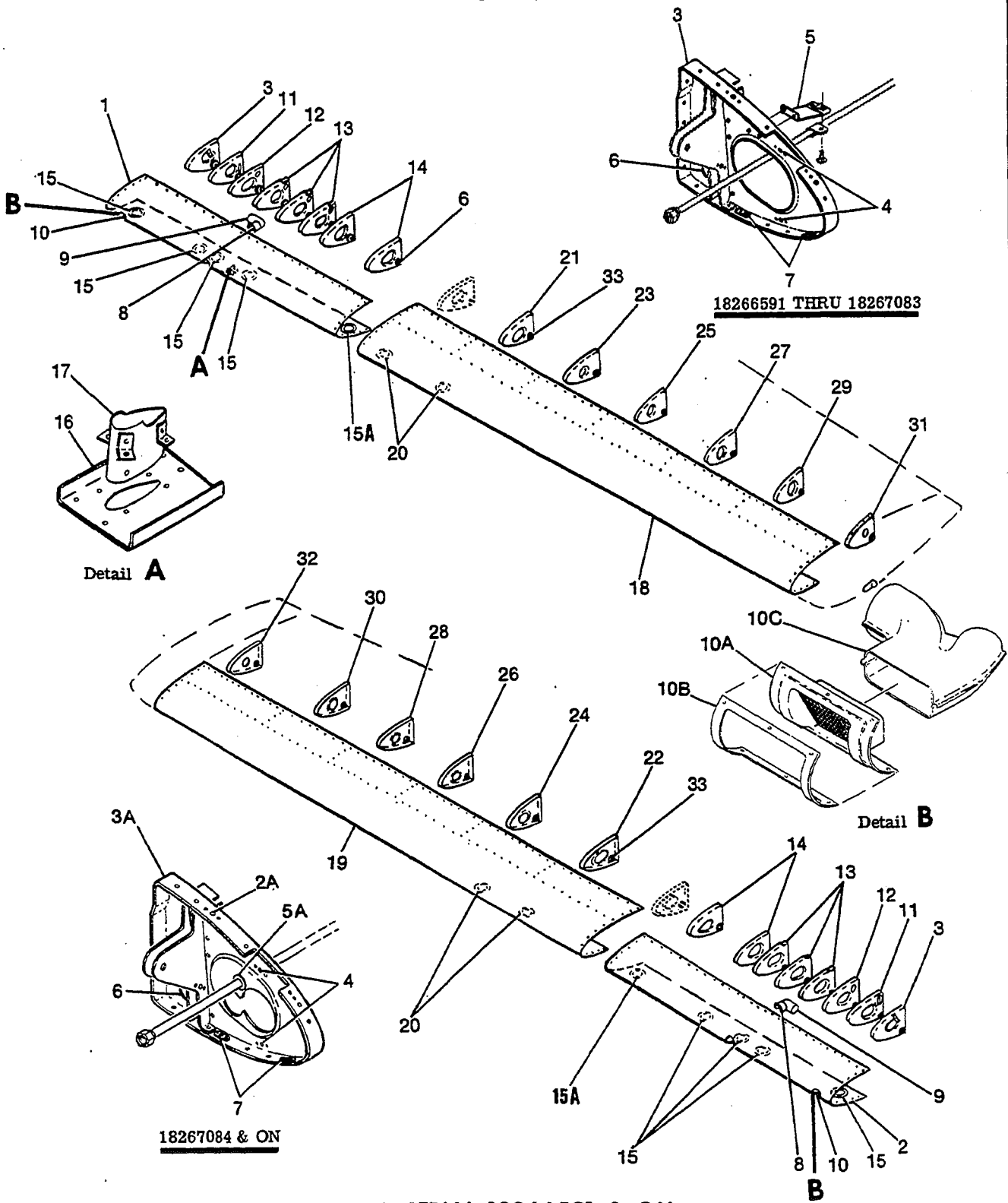
FIGURE AND INDEX NO.	PART NUMBER	DESCRIPTION							UNITS PER ASSY	USABLE ON CODE
		1	2	3	4	5	6	7		
10 -	0722180-55	LEADING EDGE ASSY-WING INBOARD LH	STA 23.625 TO 100.00	----				1	A	
	0722180-54	LEADING EDGE ASSY-WING INBOARD RH	STA 23.625 TO 100.00	----				1	A	
	0722180-59	LEADING EDGE ASSY-WING INBOARD LH	STA 23.625 TO 100.00	----				1	A	
	0722180-58	LEADING EDGE ASSY-WING INBOARD RH	STA 23.625 TO 100.00	----				1	A	
- 1	0722180-57	SKIN-LEADING EDGE INBOARD LH	-----					1		
	0722180-56	SKIN-LEADING EDGE INBOARD RH	-----					1		
	0722180-61	SKIN-LEADING EDGE INBOARD LH	-----					1		
	0722180-60	SKIN-LEADING EDGE INBOARD RH	-----					1		
- 2	0722204-1	RIB ASSY-LEADING EDGE LH	WEU 0722205-1	----				1		
	0722204-2	RIB ASSY-LEADING EDGE RH	WEU 0722205-2	----				1		
- 2A	0722205-1	RIB ASSY-LEADING EDGE LH	-----					1		
	0722205-2	RIB ASSY-LEADING EDGE RH	-----					1		
- 3	S1863-3	NUTPLATE	-----					2		
- 4	0422291	BRACKET-PITOT LH ONLY	USED WITH 0722204-1	----				1		
- 4A	NAS557-4	GROMMET LH ONLY	USED WITH 0722205-1	----				1		
- 5	S1291-8	GROMMET	-----					8		
- 6	S1860-2A	NUTPLATE UPPER	-----					1		
- 6A	S1862-2A	NUTPLATE 1 UPPER & 2 LOWER	-----					3		
- 7	0722202-1	SCOOP-CABIN AIR VENT	-----					1		
- 8	0450314	FITTING ASSEMBLY-CABIN AIR VENT	-----					1		
		ATTACHING PARTS	-----							
	S102178-8	SCREW	-----					1		
	NAS446-4-3	NUT	-----					1		
	AN960-4	WASHER	-----					4		
		ATTACHING PARTS	-----							
- 9	1200637-5	SCOOP ASSEMBLY-AIR	-----					1		
	0700692-1	CAP-AIR INLET	-----					1		
		ATTACHING PARTS	-----							
	NAS397-22	CLAMP	-----					1		
	AN960-4	WASHER	-----					4		
		ATTACHING PARTS	-----							
-10	0722184-2	RIB-NOSE STA 32.75	-----					1		
-11	0722185-1	RIB-NOSE STA 40.125	-----					1		
-12	0722185-2	RIB-NOSE STA 49.00, STA 57.37 & STA 64.25	-----					3		
-13	0722186-1	RIB-NOSE STA 72.352 & STA 85.375	-----					2		
-14	S226-2	DOUBLER-INSPECTION OPENING	-----					4		
	NAS444-14-3	NUT	-----					3		
-15	0721114-2	DOUBLER-PITOT REINFORCEMENT	-----					1		
-16	0721115-1	CONNECTOR ASSEMBLY-PITOT TUBE	-----					1		
	0722180-51	LEADING EDGE ASSY-WING UTBOARD LH	WEU 0722180-81	----				1		
	0722180-81	LEADING EDGE ASSY-WING OUTBOARD LH	-----					1		
	0722180-52	LEADING EDGE ASSY-WING OUTBOARD RH	WEU 0722180-82	----				1		
	0722180-82	LEADING EDGE ASSY-WING OUTBOARD RH	-----					1		
-17	0722180-49	SKIN-LEADING EDGE LH	WEU 0722180-83	----				1		
	0722180-83	SKIN-LEADING EDGE LH	-----					1		
-18	0722180-50	SKIN-LEADING EDGE RH	WEU 0722180-84	----				1		
	0722180-84	SKIN-LEADING EDGE RH	-----					1		
-19	S226-2	DOUBLER-INSPECTION OPENING	-----					2		
-20	0722188-1	RIB-NOSE LH STA 118.00	-----					1		
-21	0722188-2	RIB-NOSE RH STA 118.00	-----					1		
-22	0722189-1	RIB-NOSE LH STA 136.00	-----					1		
-23	0722189-2	RIB-NOSE RH STA 136.00	-----					1		
-24	0722190-1	RIB-NOSE LH STA 154.00	-----					1		
-25	0722190-2	RIB-NOSE RH STA 154.00	-----					1		
-26	0722191-1	RIB-NOSE LH STA 172.00	-----					1		
-27	0722191-2	RIB-NOSE RH STA 172.00	-----					1		
-28	0722192-1	RIB-NOSE LH STA 190.00	-----					1		
-29	0722192-2	RIB-NOSE RH STA 190.00	-----					1		
-30	0722193-1	RIB ASSEMBLY-NOSE LH STA 208.00	-----					1		
-31	0722193-2	RIB ASSEMBLY-NOSE RH STA 208.00	-----					1		
	NAS696A08	NUTPLATE	-----					2		
-32	S1291-8	GROMMET	-----					6		

NOTE. \*DENOTES PARTS USED ON WING WITH EXTENDED RANGE FUEL TANK

A---182 SERIAL 18262466 THRU 18266590  
F182 SERIAL F18200001 THRU F18200094

# 182 & T182 Parts Catalog

Wing (Cont)



182 SERIAL 18266591 & ON  
 F182 SERIAL F18200095 THRU F18200169  
 T182 SERIAL 18267716 & ON

Figure 11. Wing Leading Edge Assembly

# 182 & T182 Parts Catalog

FIGURE AND INDEX NO.	PART NUMBER		DESCRIPTION	UNITS PER ASSY							USABLE ON CODE	
				1	2	3	4	5	6	7		
11 -			LEADING EDGE ASSEMBLIES-WING								NP	A
	0722180-75	*	LEADING EDGE ASSEMBLY-WING INBD LH								1	F
	0722180-76	*	LEADING EDGE ASSEMBLY-WING INBD RH								1	F
	0722180-85	*	LEADING EDGE ASSEMBLY-WING INBD LH								1	F
	0722180-86	*	LEADING EDGE ASSEMBLY-WING INBD RH								1	F
- 1	0722180-73		SKIN-LEADING EDGE INBD LH								1	F
	0722180-87		SKIN-LEADING EDGE INBD LH								1	F
- 2	0722180-74		SKIN-LEADING EDGE INBD RH								1	F
	0722180-88		SKIN-LEADING EDGE INBD RH								1	F
- 2A	S1860-2A		NUTPLATE								1	
- 3	0722204-1		RIB ASSY-LEADING EDGE LH WEU 0722205-1								1	B
	0722204-2		RIB ASSY-LEADING EDGE RH WEU 0722205-2								1	B
- 3A	0722205-1		RIB ASSY-LEADING EDGE LH								1	C
	0722205-2		RIB ASSY-LEADING EDGE RH								1	C
- 4	S1863-3		NUTPLATE								2	
- 5	0422291		BRACKET-PITOT LH ONLY USED WITH 0722204-1								1	B
- 5A	NAS557-4		GROMMET LH ONLY USED WITH 0722205-1								1	C
- 6	S1291-8		GROMMET								8	
- 7	S1862-2A		NUTPLATE 1 UPPER & 2 LOWER								3	
- 8	0722202-1		SCOOP-CABIN AIR VENT								1	F
- 9	0522200-1		FITTING ASSY-CABIN AIR VENT								1	F
			ATTACHING PARTS									
	S102178-8		SCREW								1	F
	NAS446-4-3		NUT								1	F
	AN960-4		WASHER								4	F
-10	1200637-5		SCOOP ASSY-REAR SEAT VENT								1	F
	0700692-1		CAP-AIR INLET								1	F
			ATTACHING PARTS									
	NAS397-22		CLAMP								1	F
	AN960-4		WASHER								4	F
-10A	2220001-1		INLET ASSY-FRESH AIR								1	G
-10B	2220002-1		DOUBLER-FRESH AIR INLET								1	G
-10C	2220000-1		DUCT ASSY-FRESH AIR INLET								1	G
-11	0722184-2		RIB-NOSE								1	
-12	0722185-1		RIB-NOSE								1	
-13	0722185-2		RIB-NOSE								3	
-14	0722186-1		RIB-NOSE								2	
-15	S226-2		DOUBLER-INSPECTION OPENING								5	H
	S226-2		DOUBLER-INSPECTION OPENING								4	J
	NAS444-14-3		NUT								3	J
-15A	S226-5		DOUBLER-INSPECTION OPENING								1	J
	S1860-2A		NUTPLATE								6	
-16	0721114-2		DOUBLER-PITOT REINFORCEMENT								1	
-17	0721115-1		CONNECTOR ASSY-PITOT TUBE								1	D
	0722180-51		LEADING EDGE ASSY-WING OUTBD LH WEU 0722180-81								1	E
	0722180-81		LEADING EDGE ASSY-WING OUTBD LH								1	E
	0722180-52		LEADING EDGE ASSY-WING OUTBD RH WEU 0722180-82								1	E
	0722180-82		LEADING EDGE ASSY-WING OUTBD RH								1	E
-18	0722180-49		SKIN-LEADING EDGE LH WEU 0722180-83								1	E
	0722180-83		SKIN-LEADING EDGE LH								1	E
-19	0722180-50		SKIN-LEADING EDGE RH WEU 0722180-84								1	E
	0722180-84		SKIN-LEADING EDGE RH								1	E
-20	S226-2		DOUBLER-INSPECTION OPENING								2	
-21	0722188-1		RIB-NOSE LH								1	
-22	0722188-2		RIB-NOSE RH								1	
-23	0722189-1		RIB-NOSE LH								1	
-24	0722189-2		RIB-NOSE RH								1	
-25	0722190-1		RIB-NOSE LH								1	
-26	0722190-2		RIB-NOSE RH								1	
-27	0722191-1		RIB-NOSE LH								1	
-28	0722191-2		RIB-NOSE RH								1	
-29	0722192-1		RIB-NOSE LH								1	
-30	0722192-2		RIB-NOSE RH								1	

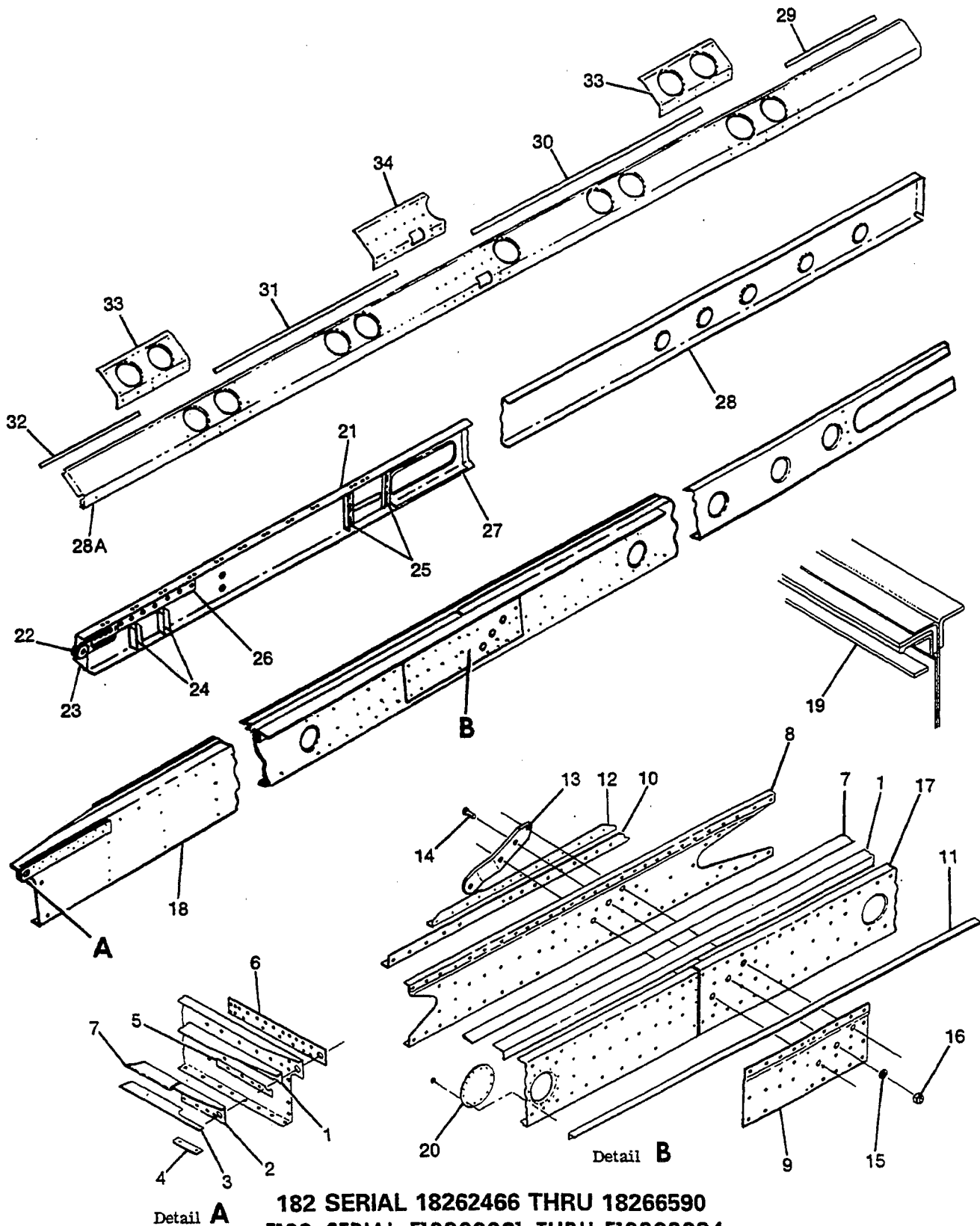
CONTINUED ON NEXT PAGE

# 182 & T182 Parts Catalog

FIGURE AND INDEX NO.	PART NUMBER	DESCRIPTION	UNITS PER ASSY	USABLE ON CODE
		1 2 3 4 5 6 7		
11 -31 -32 -33	0722193-1 0722193-2 NAS696A08 S1291-8	RIB ASSY-NOSE LH ----- RIB ASSY-NOSE RH ----- NUTPLATE ----- GROMMET -----  NOTE. *WHEN INITIALLY ORDERING THIS PART FOR AIRCRAFT PRIOR TO SERIAL 18268475 ALSO ORDER (1) S225-4F INSPECTION PLATE & (6) S102278-8 SCREWS.  A---182 SERIAL 18266591 & ON F182 SERIAL F18200095 THRU F18200169 T182 SERIAL 18267716 & ON B---182 SERIAL 18266591 THRU 18267083 F182 SERIAL F18200095 THRU F18200129 C---182 SERIAL 18267084 & ON F182 SERIAL F18200130 THRU F18200169 T182 SERIAL 18267716 & ON D---182 SERIAL 18266591 THRU 18268055 T182 SERIAL 18267716 THRU 18268055 F182 SERIAL F18200095 THRU F18200169 E---182 & T182 SERIAL 18268056 & ON F---182 SERIAL 18266591 THRU 18268293 T182 SERIAL 18267716 THRU 18268293 F182 SERIAL F18200095 THRU F18200169 G---182 & T182 SERIAL 18268294 & ON H---182 SERIAL 18266591 THRU 18268474 F182 SERIAL F18200095 THRU F18200169 T182 SERIAL 18267716 THRU 18268474 J---182 & T182 SERIAL 18268475 & ON	1 1 2 6	

# 182 & T182 Parts Catalog

Wing (Cont)



**182 SERIAL 18262466 THRU 18266590**  
**F182 SERIAL F18200001 THRU F18200094**

Figure 12. Wing Spar Assemblies

# 182 & T182 Parts Catalog

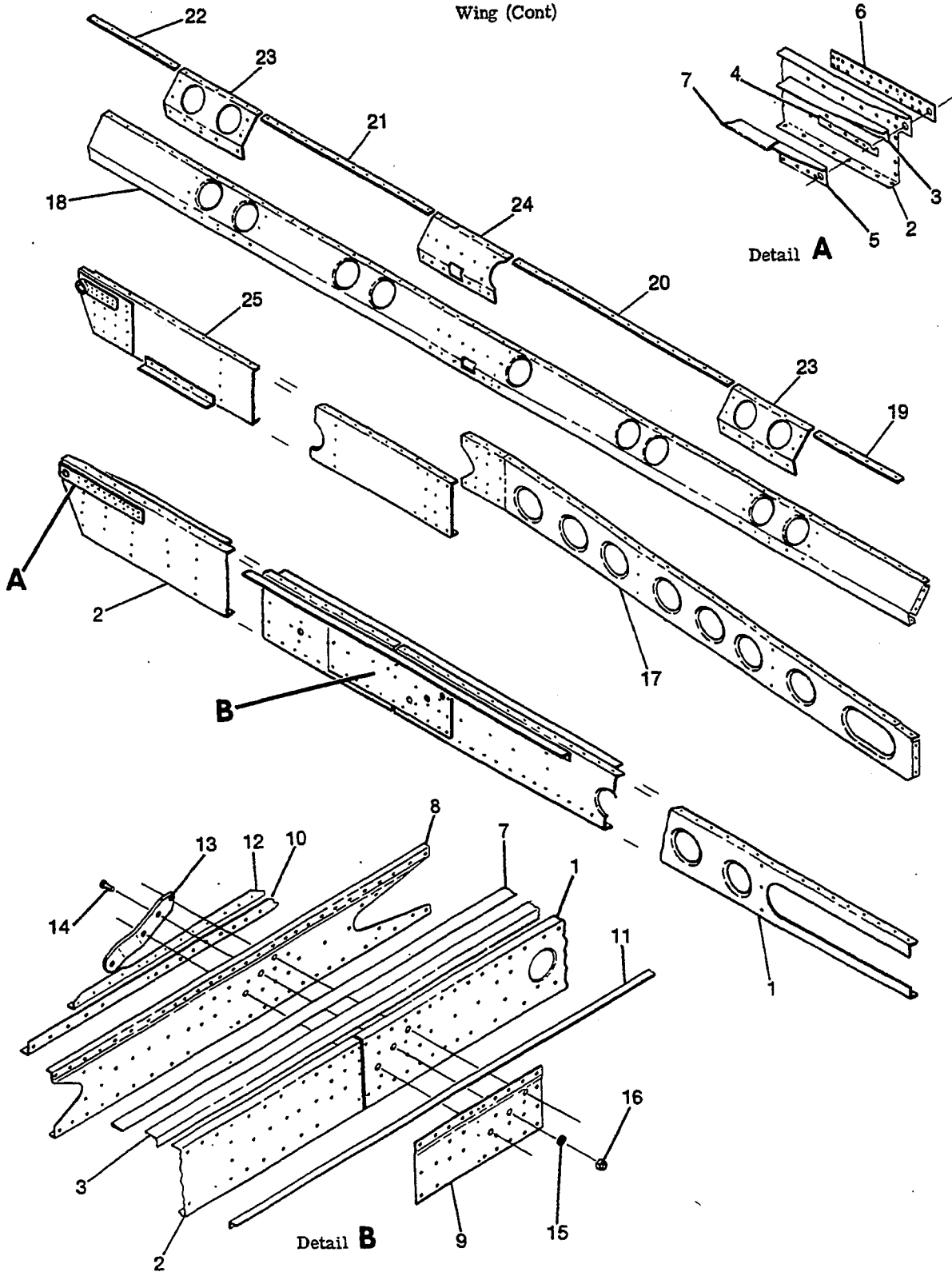
FIGURE AND INDEX NO.	PART NUMBER		DESCRIPTION							UNITS PER ASSY	USABLE ON CODE
			1	2	3	4	5	6	7		
12 -	0721401-41	*	SPAR ASSEMBLY-WING FRONT LH	STANDARD & LONG RANGE	-----					1	A
- 1	0721401-42	*	SPAR ASSEMBLY-WING FRONT RH	STANDARD & LONG RANGE	-----					1	A
	0721400-3		ANGLE-FRONT SPAR CAP LH	-----						1	
	0721400-4		ANGLE-FRONT SPAR CAP RH	-----						1	
- 2	0523309		ANGLE-FRONT SPAR LH	-----						1	
	0523309-1		ANGLE-FRONT SPAR RH	-----						1	
- 3	0721400-32		SPACER	-----						1	
- 4	1221024-1		SPACER-UPPER FUEL PANEL	-----						1	
- 5	0721400-35		SPACER-FRONT SPAR .125 THICK	-----						1	
- 6	0722707-1		PLATE-FRONT SPAR ROOT REINFORCEMENT	-----						1	
- 7	0523315		PLATE-FRONT SPAR CAP LH	-----						1	
	0523315-1		PLATE-FRONT SPAR CAP RH	-----						1	
- 8	0721400-13		CHANNEL-FRONT SPAR SPLICE LH	-----						1	
	0721400-14		CHANNEL-FRONT SPAR SPLICE RH	-----						1	
- 9	0721400-17		PLATE-FRONT SPAR SPLICE CHANNEL LH	-----						1	
	0721400-18		PLATE-FRONT SPAR SPLICE CHANNEL RH	-----						1	
-10	0721402-3		ANGLE-FRONT SPAR SPLICE LH	-----						1	
	0721402-4		ANGLE-FRONT SPAR SPLICE RH	-----						1	
-11	0721402-1		ANGLE-FRONT SPAR FORWARD CAP STRIP LH	-----						1	
	0721402-2		ANGLE-FRONT SPAR FORWARD CAP STRIP RH	-----						1	
-12	0726112-1		SHIM	-----						1	
	0721401-37		ANGLE-STIFFENER LH	-----						1	
	0721401-38		ANGLE-STIFFENER RH	-----						1	
-13	0726015-1	*	FITTING-FRONT SPAR STRUT	-----						1	
			ATTACHING PARTS	-----							
-14	AN5-7A		BOLT	-----						3	
-15	AN960-516		WASHER	-----						3	
-16	MS21042L5		NUT	-----						3	
			-----*	-----							
-17	0721401-15		CHANNEL-FRONT SPAR OUTBOARD LH	-----						1	
	0721401-16		CHANNEL-FRONT SPAR OUTBOARD RH	-----						1	
-18	0721401-5		CHANNEL-FRONT SPAR INBOARD LH	-----						1	
	0721401-6		CHANNEL-FRONT SPAR INBOARD RH	-----						2	
-19	0721400-33		SPACER	-----						1	
-20	0721400-31		COVER	-----						1	
			ATTACHING PARTS	-----							
	CR163-4-4		RIVET CY	-----						13	
			-----*	-----							
-21	0523400-111		SPAR ASSEMBLY-WING REAR LH	-----						1	
	0523400-112		SPAR ASSEMBLY-WING REAR RH	-----						1	
-22	0422229-11		FITTING-WING SPAR REINFORCEMENT	-----						2	
-23	1620058-1		DOUBLER	-----						1	
	1620058-2		DOUBLER	-----						1	
-24	0523409-1		CHANNEL-REINFORCEMENT	-----						2	
-25	0523409-2		CHANNEL-REINFORCEMENT	-----						2	
-26	0523400-20		ANGLE-REAR SPAR REINFORCEMENT LH	-----						1	
	0523400-21		ANGLE-REAR SPAR REINFORCEMENT RH	-----						1	
-27	0523400-97		DOUBLER-LH	-----						1	
	0523400-96		DOUBLER-RH	-----						1	
-28	0523406-3		SEGMENT-REAR SPAR OUTBOARD LH	STA 100.0 TO 154.0	-----					1	
	0523406-2		SEGMENT-REAR SPAR OUTBOARD RH	STA 100.0 TO 154.0	-----					1	
	0523005-50		SPAR ASSEMBLY-OUTBOARD AUXILIARY LH	-----						1	
	0523005-51		SPAR ASSEMBLY-OUTBOARD AUXILIARY RH	-----						1	
-28A	0523206-2		SPAR-OUTBOARD AUXILIARY LH	-----						1	
	0523206-3		SPAR-OUTBOARD AUXILIARY RH	-----						1	
-29	0523813-3		FILLER-TRAILING EDGE	-----						1	
-30	0523813-2		FILLER-TRAILING EDGE	-----						1	
-31	0523813-4		FILLER-TRAILING EDGE	-----						1	
-32	0523813-5		FILLER-TRAILING EDGE	-----						1	
-33	0523216		REINFORCEMENT	-----						2	
-34	0523215		REINFORCEMENT-WING LH	-----						1	
	0523215-1		REINFORCEMENT-WING RH	-----						1	

NOTE. \*WHEN INITIALLY ORDERING THIS PART PRIOR TO SERIAL 18265966 ALSO ORDER ONE 1200812-1 SPACER TO REPLACE EXISTING WING STRUT ATTACH SPACER.

A---182 SERIAL 18262466 THRU 18266590  
 F182 SERIAL F18200001 THRU F18200094  
 B---182 SERIAL 18262466 THRU 18262783  
 C---182 SERIAL 18262784 THRU 18266590  
 F182 SERIAL F18200001 THRU F18200094

# 182 & T182 Parts Catalog

Wing (Cont)



182 SERIAL 18266591 & ON  
F182 SERIAL F18200095 THRU F18200169  
T182 SERIAL 18267716 & ON

Figure 13. Wing Spar Assemblies

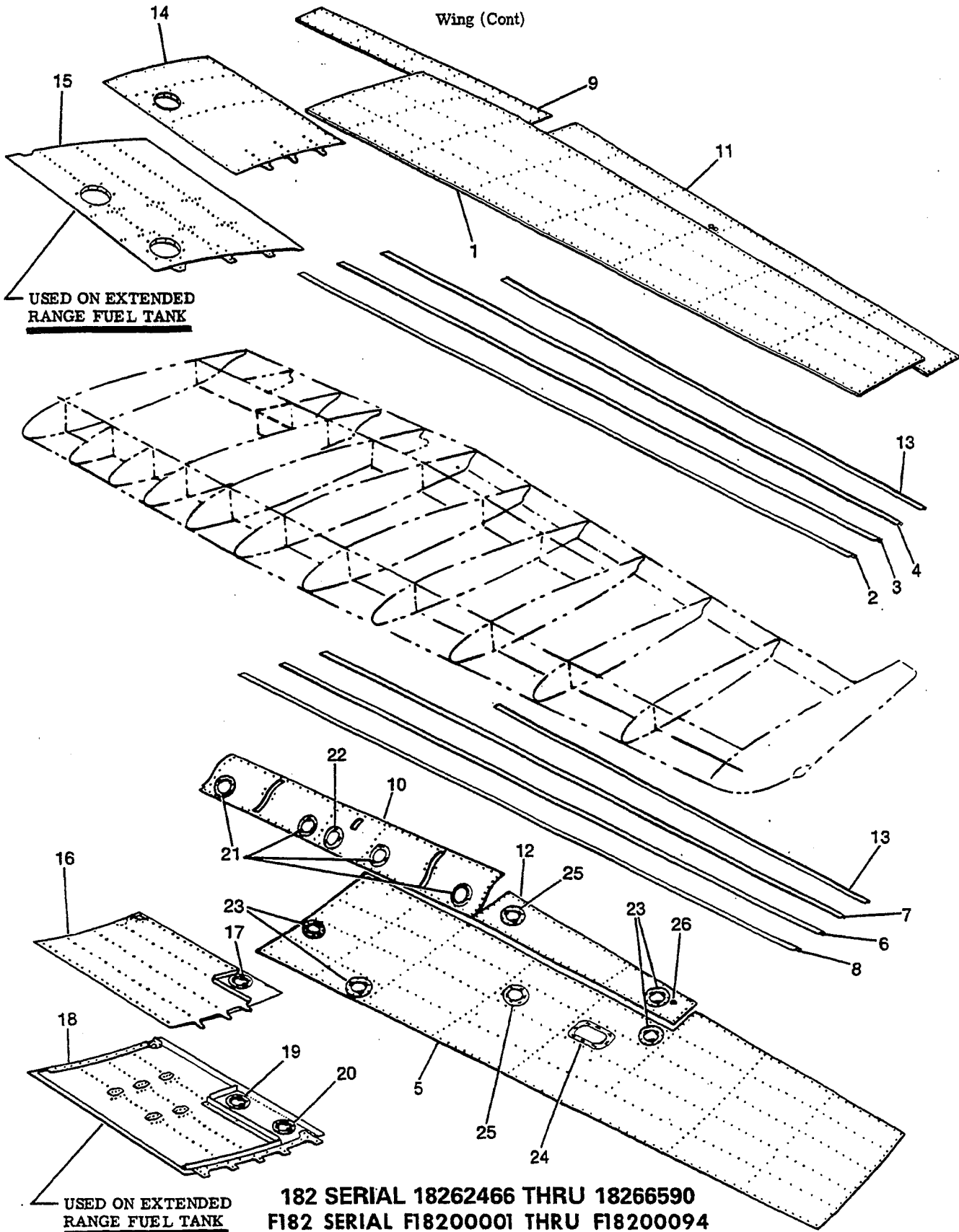
# 182 & T182 Parts Catalog

FIGURE AND INDEX NO.	PART NUMBER	DESCRIPTION							UNITS PER ASSY	USABLE ON CODE
		1	2	3	4	5	6	7		
13 -		SPAR ASSEMBLIES-WING -----								
	0726016-1	SPAR ASSEMBLY-WING FWD LH WEU 0726016-9 -----							1	A
	0726016-9	SPAR ASSEMBLY-WING FWD LH -----							1	B
	0726016-2	SPAR ASSEMBLY-WING FWD RH WEU 0726016-10 -----							1	C
	0726016-10	SPAR ASSEMBLY-WING FWD RH -----							1	C
- 1	0726016-5	CHANNEL-FRONT SPAR OUTBD LH -----							1	
	0726016-6	CHANNEL-FRONT SPAR OUTBD RH -----							1	
- 2	0726016-3	CHANNEL-FRONT SPAR INBD LH WEU 0726016-7 -----							1	B
	0726016-7	CHANNEL-FRONT SPAR INBD LH -----							1	C
	0726016-4	CHANNEL-FRONT SPAR INBD RH WEU 0726016-8 -----							1	C
	0726016-8	CHANNEL-FRONT SPAR INBD RH -----							1	C
- 3	0721400-3	ANGLE-FRONT SPAR CAP LH -----							1	
	0721400-4	ANGLE-FRONT SPAR CAP RH -----							1	
- 4	0721400-35	SPACER-FRONT SPAR .125 THICK -----							1	
- 5	0523309	ANGLE-FRONT SPAR LH -----							1	
	0523309-1	ANGLE-FRONT SPAR RH -----							1	
- 6	0722707-1	PLATE-FRONT SPAR REINFORCEMENT -----							1	
- 7	0523315	PLATE-FRONT SPAR CAP LH -----							1	
	0523315-1	PLATE-FRONT SPAR CAP RH -----							1	
- 8	0721400-13	CHANNEL-FRONT SPAR SPLICE LH -----							1	
	0721400-14	CHANNEL-FRONT SPAR SPLICE RH -----							1	
- 9	0721400-17	PLATE-FRONT SPAR SPLICE LH -----							1	
	0721400-18	PLATE-FRONT SPAR SPLICE RH -----							1	
-10	0721402-3	ANGLE-FRONT SPAR SPLICE LH -----							1	
	0721402-4	ANGLE-FRONT SPAR SPLICE RH -----							1	
-11	0721402-1	ANGLE-FRONT SPAR FWD CAP STRIP LH -----							1	
	0721402-2	ANGLE-FRONT SPAR FWD CAP STRIP RH -----							1	
	0726112-1	SHIM -----							1	
-12	0721401-37	ANGLE-STIFFENER LH -----							1	
	0721401-38	ANGLE-STIFFENER RH -----							1	
-13	0726015-1	FITTING-FRONT SPAR STRUT -----							1	
		ATTACHING PARTS								
-14	AN5-10A	BOLT -----							3	
-15	AN960-516	WASHER -----							3	
-16	MS21042L5	NUT -----							3	
		*-----								
-17	0523406-11	CHANNEL ASSY-REAR SPAR OUTBD LH -----							1	
	0523406-10	CHANNEL ASSY-REAR SPAR OUTBD RH -----							1	
	NAS680A08	NUTPLATE -----							2	
-18	0523206-2	SPAR-AUXILIARY OUTBD LH WING -----							1	
	0523206-3	SPAR-AUXILIARY OUTBD RH WING -----							1	
-19	0523813-3	SPACER-TRAILING EDGE 1 LH WING & 1 RH WING -----							2	
-20	0523813-2	SPACER-TRAILING EDGE 1 LH WING & 1 RH WING -----							2	
-21	0523813-4	SPACER-TRAILING EDGE 1 LH WING & 1 RH WING -----							2	
-22	0523813-5	SPACER-TRAILING EDGE 1 LH WING & 1 RH WING -----							2	
-23	0523216	REINFORCEMENT 2 LH WING & 2 RH WING -----							4	
-24	0523215	REINFORCEMENT-WING LH -----							2	
	0523215-1	REINFORCEMENT-WING RH -----							2	
-25	SEE FIG 9	SPAR ASSY-INBD REAR -----							1	
		<p>A---182 SERIAL 18266591 &amp; ON                      F182 SERIAL F18200095 THRU F18200169                      T182 SERIAL 18267716 &amp; ON</p> <p>B---182 SERIAL 18266591 THRU 18268293                      T182 SERIAL 18267716 THRU 18268293</p> <p>C---182 &amp; T182 SERIAL 18268294 &amp; ON</p>								



# 182 & T182 Parts Catalog

Wing (Cont)



**USED ON EXTENDED  
RANGE FUEL TANK**

**USED ON EXTENDED  
RANGE FUEL TANK**

**182 SERIAL 18262466 THRU 18266590  
F182 SERIAL F18200001 THRU F18200094**

Figure 14. Skins & Stringers Installation

# 182 & T182 Parts Catalog

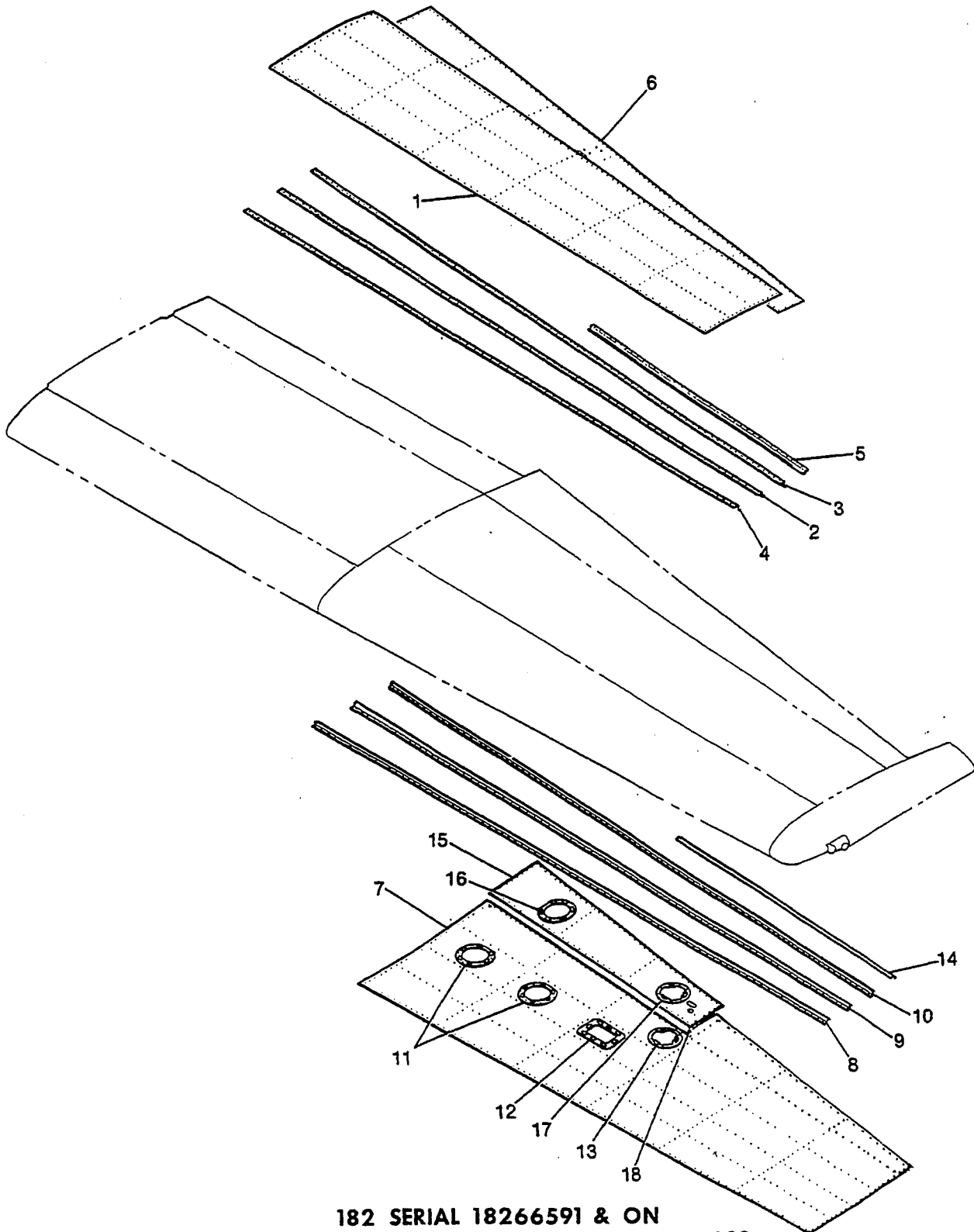
FIGURE AND INDEX NO.	PART NUMBER		DESCRIPTION							UNITS PER ASSY	USABLE ON CODE	
			1	2	3	4	5	6	7			
14 -			<b>SKINS &amp; STRINGERS INSTALLATION-WING -----</b>							NP	A	
- 1	0722182-13										1	
	0722182-16	*									1	
- 2	0523541-43										1	
	0523541-51	*									1	
	0523541-44										1	
	0523541-52	*									1	
- 3	0523541-45										1	
	0523541-53	*									1	
	0523541-46										1	
	0523541-54	*									1	
- 4	0523541-47										1	
	0523541-59	*									1	
	0720612-2										1	
	0523541-56	*									1	
- 5	0722182-39										1	
	0722182-40	*									1	
	0722182-38										1	
	0722182-40										1	
- 6	0523541-46										1	
	0523541-54	*									1	
	0523541-45										1	
	0523541-53	*									1	
- 7	0523541-48										1	
	0523541-60	*									1	
	0720612-1										1	
	0523541-55	*									1	
- 8	0523541-50										1	
	0523541-58	*									1	
	0523541-49										1	
	0523541-57	*									1	
- 9	0720601-21										1	
-10	0720601-99										1	
	0720601-101										1	
	0720601-98										1	
	0720601-100										1	
-11	0722182-19										1	
-12	0722182-24										2	
-13	0523003-40										2	
-14	0722014-1										1	
	0722014-21										1	
-15	1220006-21	*									1	
	1220006-22	*									1	
-16	0722015-61										1	
	0722015-60										1	
-17	1222013-7										1	
	1222013-8										1	
	S1860-2A										6	
-18	1220007-63	*									1	
	1220007-62	*									1	
-19	1222013-7										1	
	1222013-8										1	
	S1860-2A										6	
-20	1220007-30										1	
-21	S237-2										4	
-22	S237-2										1	
-23	S226-2										4	
	NAS444-4-3										3	
-24	1220095-3										1	
-25	1222021-1										3	
-26	CM2692-28-15										2	

NOTE. \*DENOTES PARTS USED ON WING WITH EXTENDED RANGE FUEL TANK.

A---182 SERIAL 18262466 THRU 18266590  
F182 SERIAL F18200001 THRU F18200094

# 182 & T182 Parts Catalog

Wing (Cont)



182 SERIAL 18266591 & ON  
F182 SERIAL F18200095 THRU F18200169  
T182 SERIAL 18267716 & ON

Figure 15. Skins & Stringers Installation

# 182 & T182 Parts Catalog

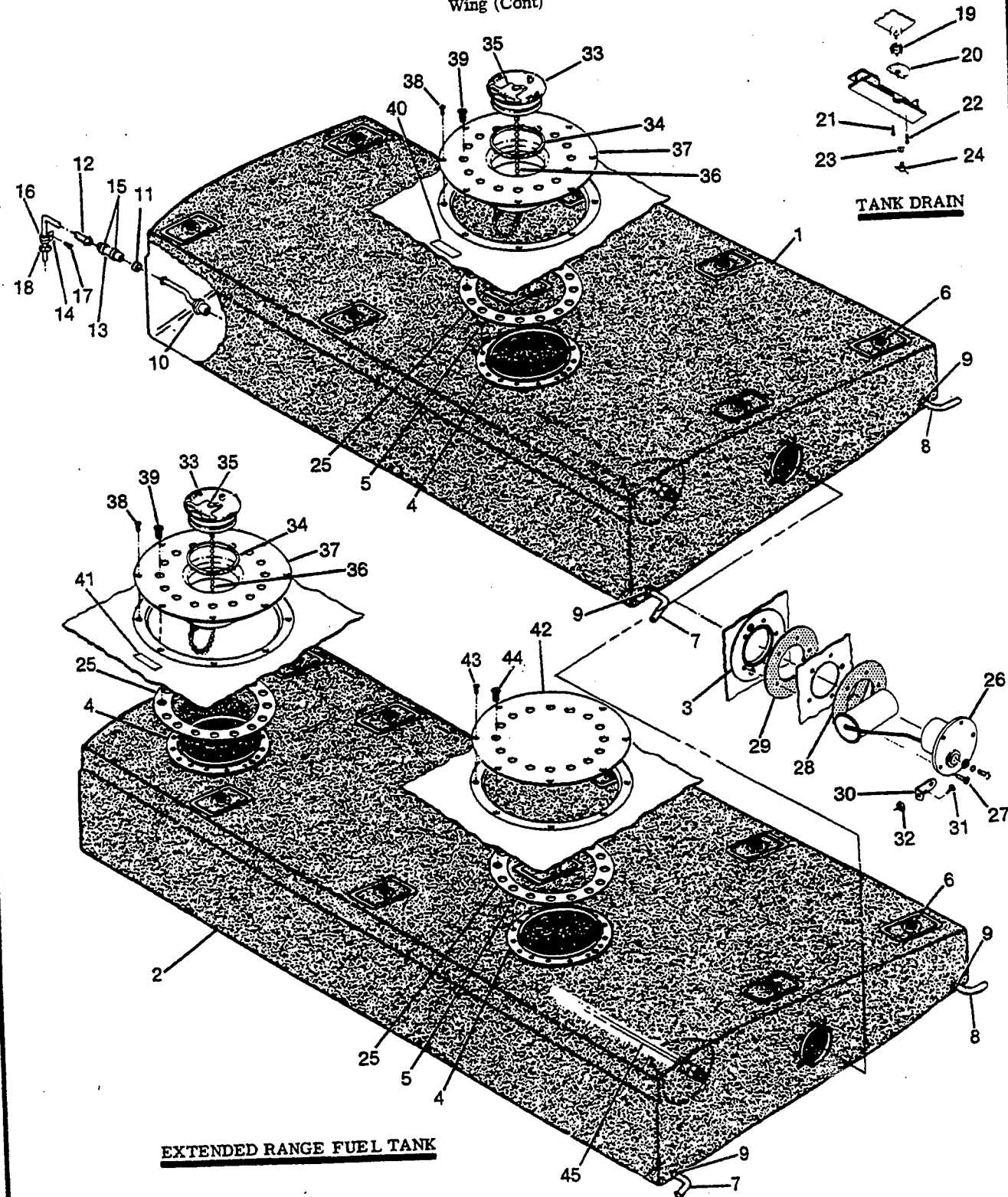
FIGURE AND INDEX NO.	PART NUMBER	DESCRIPTION	1 2 3 4 5 6 7							UNITS PER ASSY	USABLE ON CODE
15 -		SKINS & STRINGERS INSTALLATION -----								NP	A
	0722000-5	PANEL ASSY-UPPER LH -----								1	
	0722000-6	PANEL ASSY-UPPER RH -----								1	
- 1	0722000-9	SKIN-UPPER LH -----								1	
	0722000-10	SKIN-UPPER RH -----								1	
- 2	0523541-53	STRINGER-UPPER LH -----								1	
	0523541-54	STRINGER-UPPER RH -----								1	
- 3	0523541-59	STRINGER-UPPER LH -----								1	
	0523541-56	STRINGER-UPPER RH -----								1	
- 4	0523541-51	STRINGER-UPPER LH -----								1	
	0523541-52	STRINGER-UPPER RH -----								1	
- 5	0523003-40	STRINGER-UPPER 1 LH & 1 RH -----								2	
- 6	0722182-19	SKIN-UPPER OUTBD TRAILING EDGE 1 LH & 1 RH -----								2	
	0722000-7	PANEL ASSY-LOWER LH WEU 0722000-15 -----								1	
	0722000-15	PANEL ASSY-LOWER LH -----								1	
	0722000-8	PANEL ASSY-LOWER RH WEU 0722000-16 -----								1	
	0722000-16	PANEL ASSY-LOWER RH -----								1	
- 7	0722000-11	SKIN-LOWER LH WEU 0722000-17 -----								1	
	0722000-17	SKIN-LOWER LH -----								1	
	0722000-12	SKIN-LOWER RH WEU 0722000-18 -----								1	
	0722000-18	SKIN-LOWER RH -----								1	
- 8	0523541-58	STRINGER-LOWER LH -----								1	
	0523541-57	STRINGER-LOWER RH -----								1	
- 9	0523541-54	STRINGER-LOWER LH -----								1	
	0523541-53	STRINGER-LOWER RH -----								1	
-10	0523541-60	STRINGER-LOWER LH -----								1	
	0523541-55	STRINGER-LOWER RH -----								1	
-11	1222021-1	DOUBLER ASSY -----								2	
	S1860-2A	NUTPLATE -----								6	
-12	1220095-3	DOUBLER ASSY -----								1	
	S1860-2	NUTPLATE -----								8	
-13	S226-2	DOUBLER ASSY -----								1	
	NAS444-4-3	NUTPLATE -----								3	
-14	0523003-40	STRINGER-LOWER 1 LH & 1 RH -----								2	
-15	0722182-24	SKIN-LOWER OUTBD TRAILING EDGE 1 LH & 1 RH -----								2	
-16	1222021-1	DOUBLER ASSY -----								1	
	S1860-2A	NUTPLATE -----								6	
-17	S226-2	DOUBLER ASSY -----								1	
	NAS444-4-3	NUTPLATE -----								3	
-18	CM2692-28-1S	PLUG BUTTON -----								1	

A---182 SERIAL 18266591 & ON  
 F182 SERIAL F18200095 THRU F18200169  
 T182 SERIAL 18267716 & ON  
 B---182 SERIAL 18266591 THRU 18268055  
 F182 SERIAL F18200095 THRU F18200169  
 T182 SERIAL 18267716 THRU 18268055  
 C---182 & T182 SERIAL 18268056 & ON

B  
C  
C  
B  
C  
B  
C

# 182 & T182 Parts Catalog

Wing (Cont)



182 SERIAL 18262466 THRU 18266590  
 F182 SERIAL F18200001 THRU F18200094  
 Figure 16. Fuel Tank Installation

# 182 & T182 Parts Catalog

FIGURE AND INDEX NO.	PART NUMBER	DESCRIPTION							UNITS PER ASSY	USABLE ON CODE
		1	2	3	4	5	6	7		
16 -		TANK INSTALLATION-FUEL LH -----							NP	A
		TANK INSTALLATION-FUEL RH -----							NP	
- 1	0726001-18	TANK ASSEMBLY-FUEL RH -----							1	A
	0726001-17	TANK ASSEMBLY-FUEL LH -----							1	
- 2	1200065-24 *	TANK ASSEMBLY-EXTENDED RANGE FUEL RH -----							1	A
	1200065-23 *	TANK ASSEMBLY-EXTENDED RANGE FUEL LH -----							1	
- 3	0726001-3	RING ASSEMBLY-FUEL GAGE ADAPTER -----							1	A
- 4	FCC-20068 *	FITTING USED IN U.S. RUBBER FUEL CELLS ONLY -----							1	
	FCC-20068 *	FITTING USED IN U.S. RUBBER FUEL CELLS ONLY -----							2	
- 5	AN509-10R4	ATTACHING PARTS							2	A
		SCREW -----								
- 6	295055	FASTENER UC -----							AR	A
- 7	0726603-16	STRAINER ASSEMBLY-FUEL TANK FORWARD -----							1	
- 8	0726603-14	STRAINER ASSEMBLY-FUEL TANK AFT -----							1	A
- 9	S1891-10	CLAMP -----							4	
-10	0716125-2	VALVE ASSEMBLY-VENT LH ONLY -----							1	A
-11	NAS397-14	ATTACHING PARTS							1	
		CLAMP -----								
-12	0716127-1	LINE ASSEMBLY-VENT LH -----							1	A
-13	S1495-8	ATTACHING PARTS							1	
-14	0512006-1	HOSE 2.0 IN LG BULK ITEM REF S1495-8-2.00 -----								
-15	AN737RM30	ANGLE -----							1	A
-16	S1486DG8U	CLAMP -----							2	
	S1486DG8U	CLAMP -----							1	A
-17	S1021Z8-8	SCREW -----							2	
-18	MS35489-14	GROMMET -----							1	A
-19	S2357-3	CLAMP -----							1	
-20	0322526-10	ADAPTER ASSEMBLY-FUEL TANK DRAIN -----							1	A
-21	AN515-8R8	ATTACHING PARTS							1	
-22	AN500A8-7	SCREW -----								
		SCREW -----							1	A
-23	MS28778-3	GASKET-DRAIN PLUG -----							1	
-24	0320105	PLUG-FUEL TANK DRAIN -----							1	B
	SEE FIG 8A	VALVE-FUEL DRAIN USED WITH SAMPLER CUP -----							1	
-25	0726002-1 *	GASKET -----							1	B
-26	0726002-1 *	GASKET -----							2	
-26	0726110-1	TRANSMITTER & FLOAT-FUEL -----							1	B
-27	AN520-10R10	ATTACHING PARTS							5	
		SCREW -----								
-28	S1588-1	GASKET-FUEL TRANSMITTER -----							1	B
-29	S1588-2	GASKET-FUEL TRANSMITTER -----							1	
-30	0413247	GROUND STRAP -----							1	B
-31	AN515-8R6	ATTACHING PARTS							1	
-32	MS21044N08	SCREW -----								
		NUT -----							1	B
-33	C156001-0106	FUEL CAP ASSY -----							1	
	SK182-65	SEAL KIT-FUEL CAP FOR METAL & PLASTIC CAPS -----							1	B
	4197	STEM O-RING WISO METAL & PLASTIC CAPS -----							1	
-34	4708	OUTER SEAL-FUEL CAP FSO SK182-65 -----							NP	B
-35	4189	VENT CHECK VALVE WISO METAL & PLASTIC CAPS -----							1	
	5144	HANDLE WISO METAL CAPS -----							1	B
	4199	HANDLE WISO PLASTIC CAPS -----							1	
	5147	PIN-HANDLE WISO METAL CAPS -----							1	B
-36	C156001-0104	PIN-HANDLE WISO PLASTIC CAPS -----							1	
		CHAIN ASSY -----							1	B
									1	

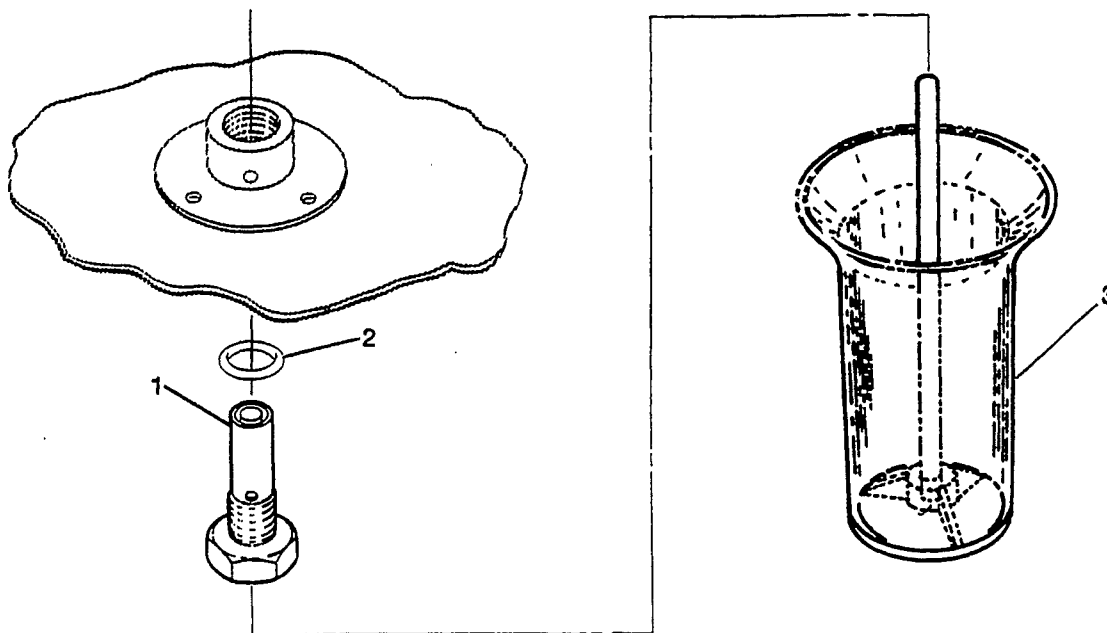
CONTINUED ON NEXT PAGE

# 182 & T182 Parts Catalog

FIGURE AND INDEX NO.	PART NUMBER	DESCRIPTION	UNITS PER ASSY	USABLE ON CODE
		1 2 3 4 5 6 7		
16 -37	0721306-1	ADAPTER ASSY -----	1	
		ATTACHING PARTS		
-38	AN509-10R6	SCREW -----	8	
-39	AN507-428R7	SCREW -----	16	
		-----*		
-40	SEE FIG 3	PLACARD-STD RANGE -----	1	
-41	SEE FIG 3	PLACARD-EXTENDED RANGE -----	1	
-42	1220022-3	PLATE-COVER -----	1	
		ATTACHING PARTS		
-43	AN509-10R6	SCREW -----	8	
-44	AN507-428R7	SCREW -----	16	
		-----*		
-45	0716614-6	VENT TUBE -----	1	
<p>NOTE. *DENOTES PARTS USED ON WING WITH EXTENDED RANGE FUEL TANK</p> <p>A---182 SERIAL 18262466 THRU 18266590            F182 SERIAL F18200001 THRU F18200094            B---182 SERIAL 18262466 THRU 18263475</p>				

# 182 & T182 Parts Catalog

Wing (Cont)



**182 SERIAL 18262466 & ON  
F182 SERIAL F1820001 THRU F18200169  
T182 SERIAL 18267716 & ON**

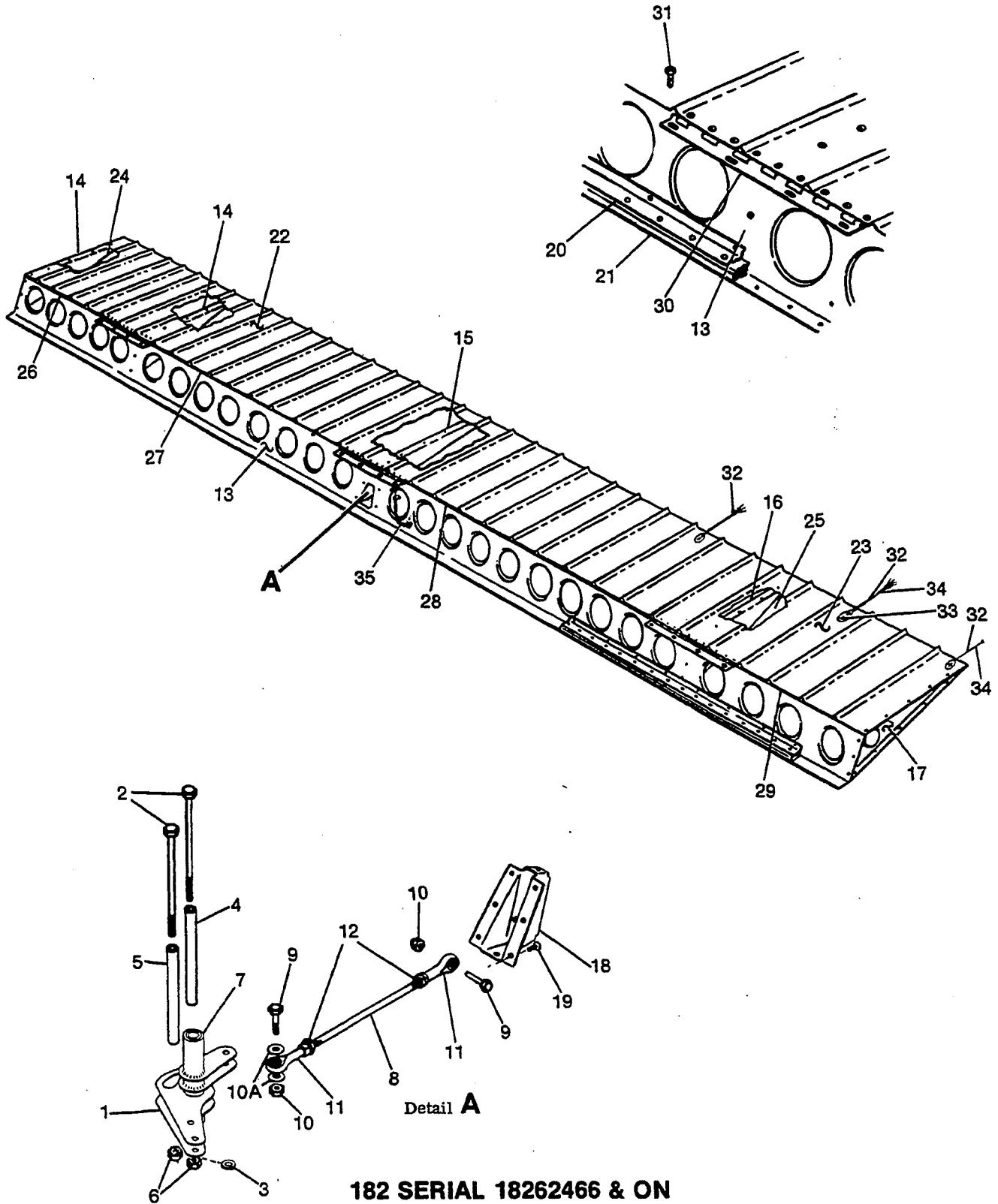
Figure 17. Fuel Tank Drain Valve Installation

FIGURE AND INDEX NO.	PART NUMBER	DESCRIPTION	UNITS PER ASSY	USABLE ON CODE
		1 2 3 4 5 6 7		
17 -		FUEL TANK DRAIN VALVE INSTALLATION -----	1	C A B A B D E F
- 1	S2106-1	DRAIN VALVE -----	2	
	S2020-2	DRAIN VALVE -----	1	
- 2	NAS1593-011	O-RING -----	1	
	NAS1593-015	O-RING -----	1	
- 3	S2107-1	CUP-FUEL SAMPLER WEU 0756035-1 -----	1	
	0756035-1	CUP-FUEL SAMPLER WEU 0756035-5 -----	1	
	0756035-5	CUP-FUEL SAMPLER -----	1	
<p>A---182 SERIAL 18262446 THRU 18266590 F182 SERIAL F18200001 THRU F18200094</p> <p>B---182 SERIAL 18266591 &amp; ON F182 SERIAL F18200095 THRU F18200169 T182 SERIAL 18267716 &amp; ON</p> <p>C---182 SERIAL 18262446 &amp; ON F182 SERIAL F18200001 THRU F18200169 T182 SERIAL 18267716 &amp; ON</p> <p>D---182 SERIAL 18262466 THRU 18268383 F182 SERIAL F18200001 THRU F18200169 T182 SERIAL 18267716 THRU 18268383</p> <p>E---182 &amp; T182 SERIAL 18268384 THRU 18268422</p> <p>F---182 &amp; T182 SERIAL 18268423 &amp; ON</p>				



# 182 & T182 Parts Catalog

Wing (Cont)



**182 SERIAL 18262466 & ON**  
**F182 SERIAL F18200001 THRU F18200169**  
**T182 SERIAL 18267716 & ON**

Figure 18. Aileron Installation

# 182 & T182 Parts Catalog

FIGURE AND INDEX NO.	PART NUMBER	DESCRIPTION							UNITS PER ASSY	USABLE ON CODE
		1	2	3	4	5	6	7		
18 -		AILERON INSTALLATION LH -----							NP	A
- 1	0760703-1	AILERON INSTALLATION RH -----							NP	A
	0760703-2	BELLCRANK-AILERON LH -----							1	
	0760705-5	BELLCRANK-AILERON RH -----							1	
	0760705-7	BELLCRANK-AILERON LH USED ON NAV-O-MATIC ONLY -----							1	
		BELLCRANK-AILERON RH USED ON NAV-O-MATIC ONLY -----							1	
		ATTACHING PARTS -----								
- 2	AN4-42A	BOLT -----							2	
- 3	S1450-7B12-032	WASHER -----							2	
- 4	0523221	BUSHING -----							1	
- 5	0523222	BUSHING -----							1	
- 6	MS21042L4	NUT -----							2	
		*-----								
- 7	S1997-6-10	BEARING -----							2	
- 8	0760704-1	ROD ASSEMBLY-AILERON PUSH-PULL -----							1	
		ATTACHING PARTS -----								
- 9	AN3-10A	BOLT -----							2	
-10	MS21042L3	NUT -----							2	
-10A	AN960-10	WASHER -----							2	
		*-----								
-11	S1819-3	ROD END -----							2	
-12	AN316-4R	NUT-CHECK -----							2	
	0523800-25	AILERON ASSY-LH -----							1	
	0523800-24	AILERON ASSY-RH -----							1	
-13	0523806	SPAR-AILERON LH -----							1	
	0523806-1	SPAR-AILERON RH -----							1	
-14	0523808	RIB NO 1-AILERON LH -----							2	
	0523808-2	RIB NO 1-AILERON RH -----							2	
-15	0523809	RIB NO 2-AILERON LH -----							1	
	0523809-1	RIB NO 2-AILERON RH -----							1	
-16	0523810	RIB NO 3-AILERON -----							1	
-17	0523811	RIB NO 4-AILERON RH -----							1	
	0523811-1	RIB NO 4-AILERON LH -----							1	
-18	0760011-2	BRACKET-AILERON CONTROL -----							1	
		ATTACHING PARTS -----								
-19	NAS455-163C4-8	RIVET -----							6	
		*-----								
-20	0523814-8	BRACKET-AILERON WEIGHT -----							1	
-21	0724115-1	WEIGHT-AILERON BALANCE -----							2	
	0724115-3	WEIGHT-AILERON BALANCE -----							1	
	0724115-4	WEIGHT-AILERON BALANCE -----							1	
-22	0523800-6	SKIN-AILERON UPPER INBOARD LH -----							1	
	0523800-7	SKIN-AILERON UPPER INBOARD RH -----							1	
-23	0523800-8	SKIN-AILERON UPPER OUTBOARD LH -----							1	
	0523800-9	SKIN-AILERON UPPER OUTBOARD RH -----							1	
-24	0523800-10	SKIN-AILERON LOWER INBOARD LH -----							1	
	0523800-11	SKIN-AILERON LOWER INBOARD RH -----							1	
-25	0523800-12	SKIN-AILERON LOWER OUTBOARD LH -----							1	
	0523800-13	SKIN-AILERON LOWER OUTBOARD RH -----							1	
-26	0523813-1	SPACER -----							1	
-27	0523813-8	SPACER -----							1	
-28	0523813-6	SPACER -----							1	
-29	0523813-7	SPACER -----							1	
-30	0523807	HINGE-AILERON WEU 0523816-1 -----							3	F
	0523816-1	HINGE ASSY-AILERON -----							3	G
		ATTACHING PARTS -----								
-31	NAS221-8	SCREW -----							12	
		*-----								
	0523816-2	PIN-HINGE -----							1	G

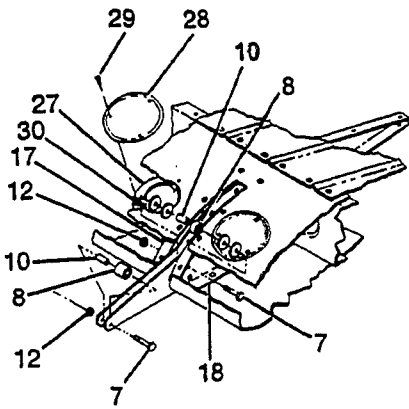
CONTINUED ON NEXT PAGE

# 182 & T182 Parts Catalog

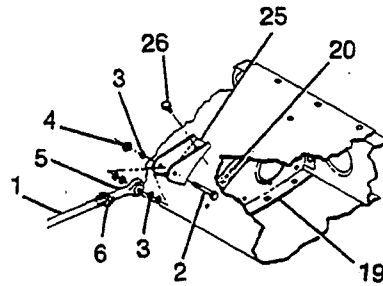
FIGURE AND INDEX NO.	PART NUMBER	DESCRIPTION							UNITS PER ASSY	USABLE ON CODE
		1	2	3	4	5	6	7		
18 -32		STATIC DISCHARGER FSO C592001-0203 -----							3	D
		ATTACHING PARTS -----								
	S1648-06K75	NUT -----							2	B
-33	AN515-6R10	SCREW -----							2	B
	MS35333-37	WASHER -----							2	B
		-----*								
-34		STATIC DISCHARGER FSO C592001-0203 -----							2	D
	C592001-0203	WICK ASSY-STATIC DISCHARGE -----							2	E
	C592001-0204	WICK-STATIC DISCHARGE -----							1	E
	C592001-0205	BASE-STATIC DISCHARGE -----							1	E
-35	1570102-16	STRAP ASSY-BONDING -----							1	F
		ATTACHING PARTS -----							1	C
	AN515-10R8	SCREW -----							2	C
	MS21044N8	NUT -----							2	C
		-----*								
		<p>A---182 SERIAL 18262466 &amp; ON            F182 SERIAL F18200001 THRU F18200169            T182 SERIAL 18267716 &amp; ON</p> <p>B---182 SERIAL 18262466 THRU 18264295</p> <p>C---182 SERIAL 18264296 &amp; ON            F182 SERIAL F18200001 THRU F18200169            T182 SERIAL 18267716 &amp; ON</p> <p>D---182 SERIAL 18264296 THRU 18268383            F182 SERIAL F18200001 THRU F18200169            T182 SERIAL 18267716 THRU 18268383</p> <p>E---182 &amp; T182 SERIAL 18268384 &amp; ON</p> <p>F---182 SERIAL 18262466 THRU 18268445            F182 SERIAL F18200001 THRU F18200169            T182 SERIAL 18267716 THRU 18268445</p> <p>G---182 &amp; T182 SERIAL 18268446 &amp; ON</p>								

# 182 & T182 Parts Catalog

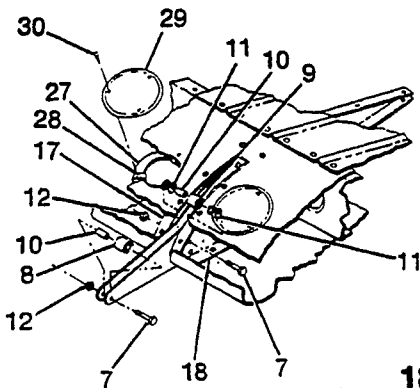
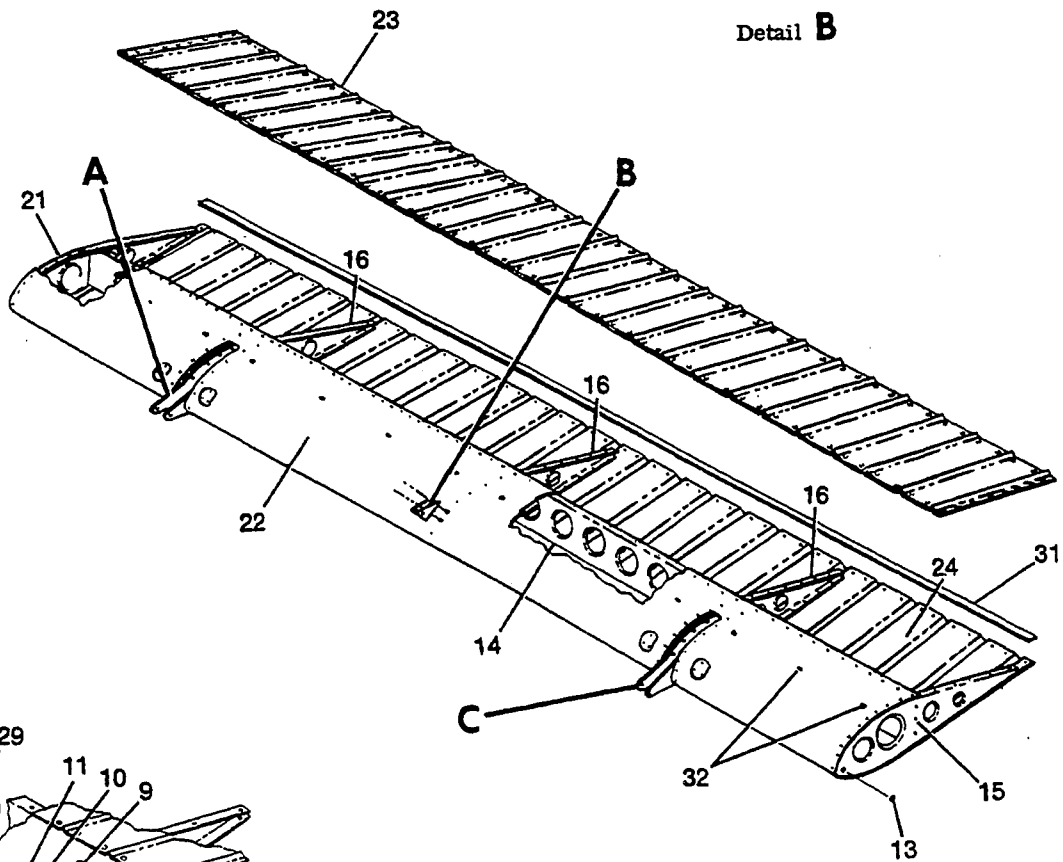
Wing (Cont)



Detail A



Detail B



Detail C

**182 SERIAL 18262466 & ON**  
**F182 SERIAL F1820001 THRU F18200169**  
**T182 SERIAL 18267716 & ON**

Figure 19. Flap Installation

# 182 & T182 Parts Catalog

FIGURE AND INDEX NO.	PART NUMBER	DESCRIPTION							UNITS PER ASSY	USABLE ON CODE
		1	2	3	4	5	6	7		
19 -		FLAP INSTALLATION LH -----							NP	A
- 1	0523537	FLAP INSTALLATION RH -----							NP	A
		ROD ASSEMBLY-FLAP PUSH PULL -----							1	
		ATTACHING PARTS -----								
- 2	AN3-11A	BOLT -----							1	
- 3	AN960-10	WASHER -----							5	
- 4	MS21044N3	NUT -----							1	
		-----*								
- 5	S1106-3	ROD END -----							2	
- 6	AN316-4R	NUT-CHECK -----							2	
	0523901-33	*	FLAP ASSEMBLY-LH -----						1	
	0523901-34	*	FLAP ASSEMBLY-RH -----						1	
		ATTACHING PARTS -----								
- 7	AN3-11A	BOLT -----							4	
- 8	0523921	ROLLER ASSEMBLY -----							3	
	S2398-1	BEARING ASSY ALT -----							3	
- 9	0523920	ROLLER ASSEMBLY -----							1	
-10	0523919	BUSHING -----							4	
	S2397-1	BUSHING ALT -----							4	
-11	1220114-1	SPACER-FLAP -----							2	
-12	MS21044N3	NUT -----							4	
		-----*								
-13	CM2692-20-1S	PLUG BUTTON UC -----							1	
-14	0523911-2	SPAR-FLAP LH -----							1	
	0523911-3	SPAR-FLAP RH -----							1	
-15	0523912-1	RIB-FLAP RH END -----							1	
-16	0523923	RIB-FLAP TRAILING EDGE -----							3	
-17	0523901-13	RIB ASSEMBLY-FLAP SUPPORT ARM LH -----							2	
-18	0523901-14	RIB ASSEMBLY-FLAP SUPPORT ARM RH -----							2	
-19	0523914-2	RIB ASSEMBLY-FLAP LEADING EDGE CENTER -----							1	
-20	NAS680A3	NUTPLATE -----							2	
-21	0523912	RIB-FLAP LH END -----							1	
-22	0523901-17	SKIN-FLAP LEADING EDGE LH -----							1	
	0523901-18	SKIN-FLAP LEADING EDGE RH -----							1	
-23	0523901-21	SKIN-FLAP UPPER LH -----							1	
	0523901-22	SKIN-FLAP UPPER RH -----							1	
-24	0523901-19	SKIN-FLAP LOWER LH -----							1	
	0523901-20	SKIN-FLAP LOWER RH -----							1	
-25	0523918	BRACKET-FLAP CONTROL ATTACHMENT -----							1	
		ATTACHING PARTS -----								
-26	AN3-4A	BOLT -----							2	
		-----*								
-27	S237-4	DOUBLER ASSY-ACCESS OPENING -----							4	
-28	NAS395-13-3	NUT -----							3	B
	S237-7	%	DOUBLER ASSY-ACCESS OPENING -----						4	B
	S1860-1A	NUTPLATE -----							3	C
-29	S225-3	PLATE-COVER -----							4	B
	S225-26	%	PLATE-COVER -----						4	C
		ATTACHING PARTS -----								
-30	S1021Z8-8	SCREW -----							3	B
	S1022Z8-8	%	SCREW -----						3	C
		-----*								
-31	0523901-10	STIFFENER -----							1	
-32	S1093-1	**	PLUG BUTTON-ANTI FRICTION -----						14	

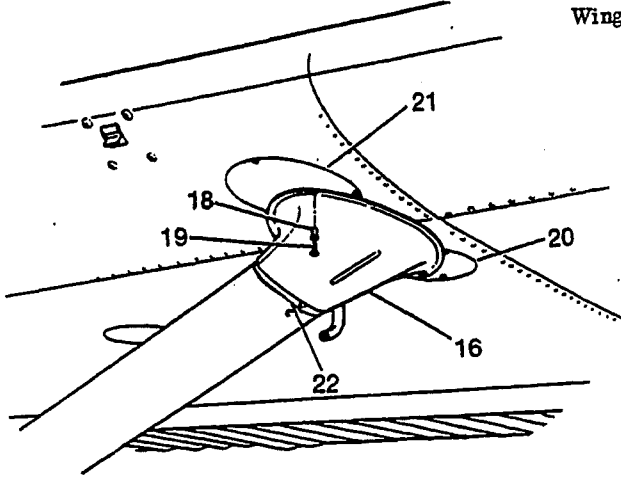
NOTE. \*WHEN ORDERING THESE ASSEMBLIES ALSO ORDER PARTS MARKED \*\*.

NOTE. %WHEN INITIALLY ORDERING THIS PART FOR AIRCRAFT PRIOR TO SERIAL 18268475 ALL PARTS MARKED % MUST BE ORDERED.

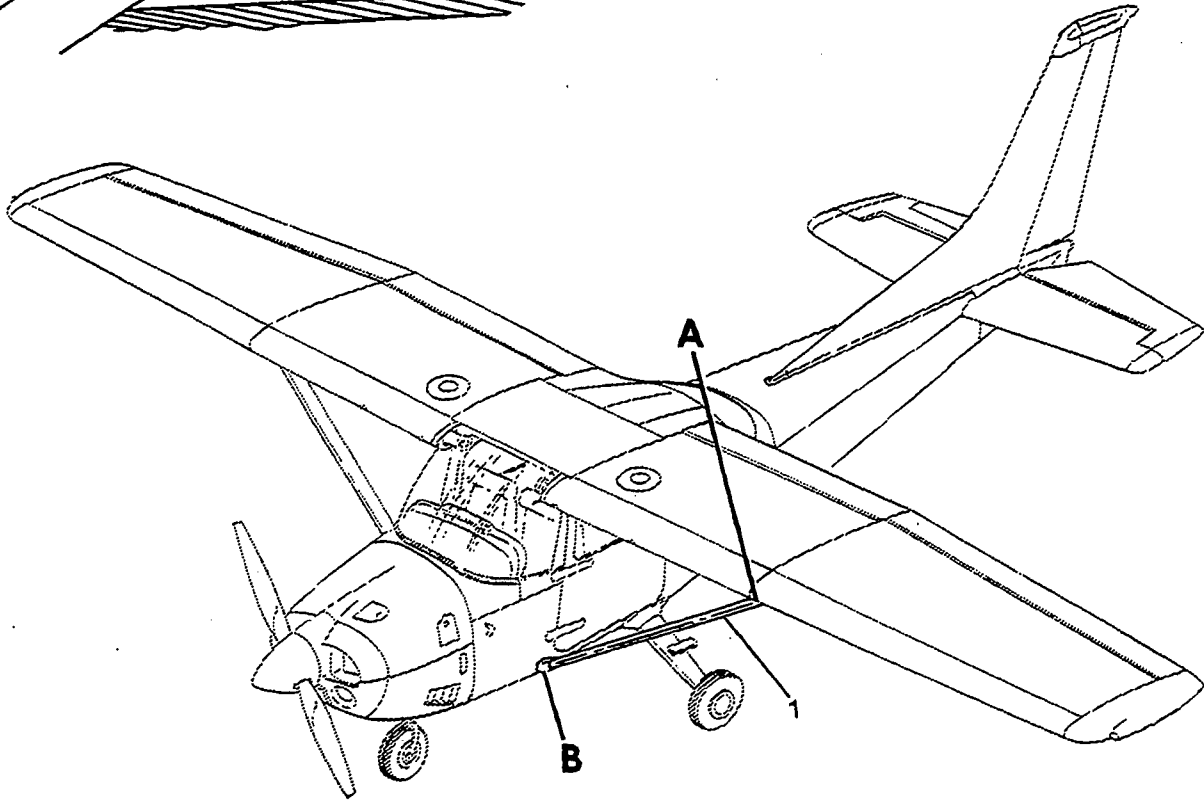
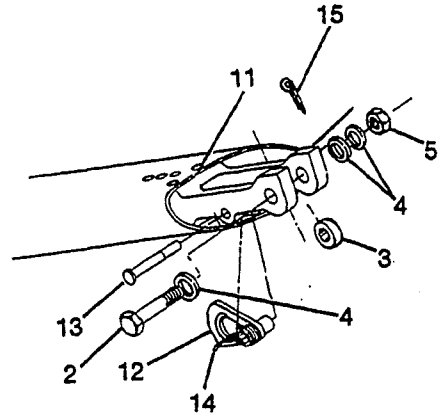
- A---182 SERIAL 18262466 & ON  
F182 SERIAL F18200001 THRU F18200169  
T182 SERIAL 18267716 & ON
- B---182 SERIAL 18262466 THRU F18268474  
F182 SERIAL F18200001 THRU F18200169  
T182 SERIAL 18267716 THRU 18268474
- C---182 & T182 SERIAL 18268475 & ON

# 182 & T182 Parts Catalog

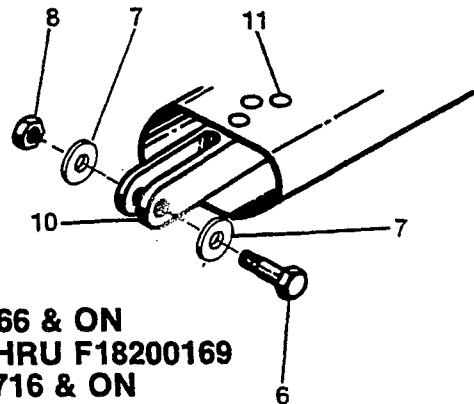
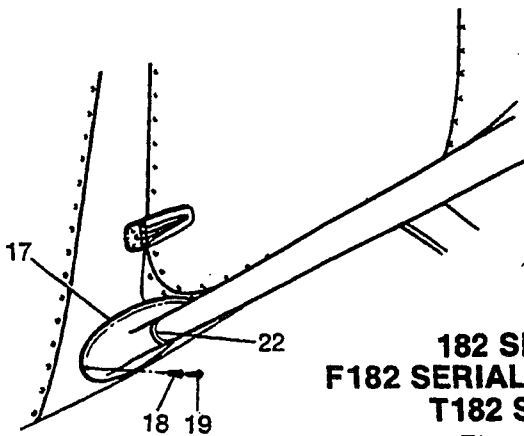
Wing (Cont)



Detail A



Detail B



**182 SERIAL 18262466 & ON**  
**F182 SERIAL F18200001 THRU F18200169**  
**T182 SERIAL 18267716 & ON**

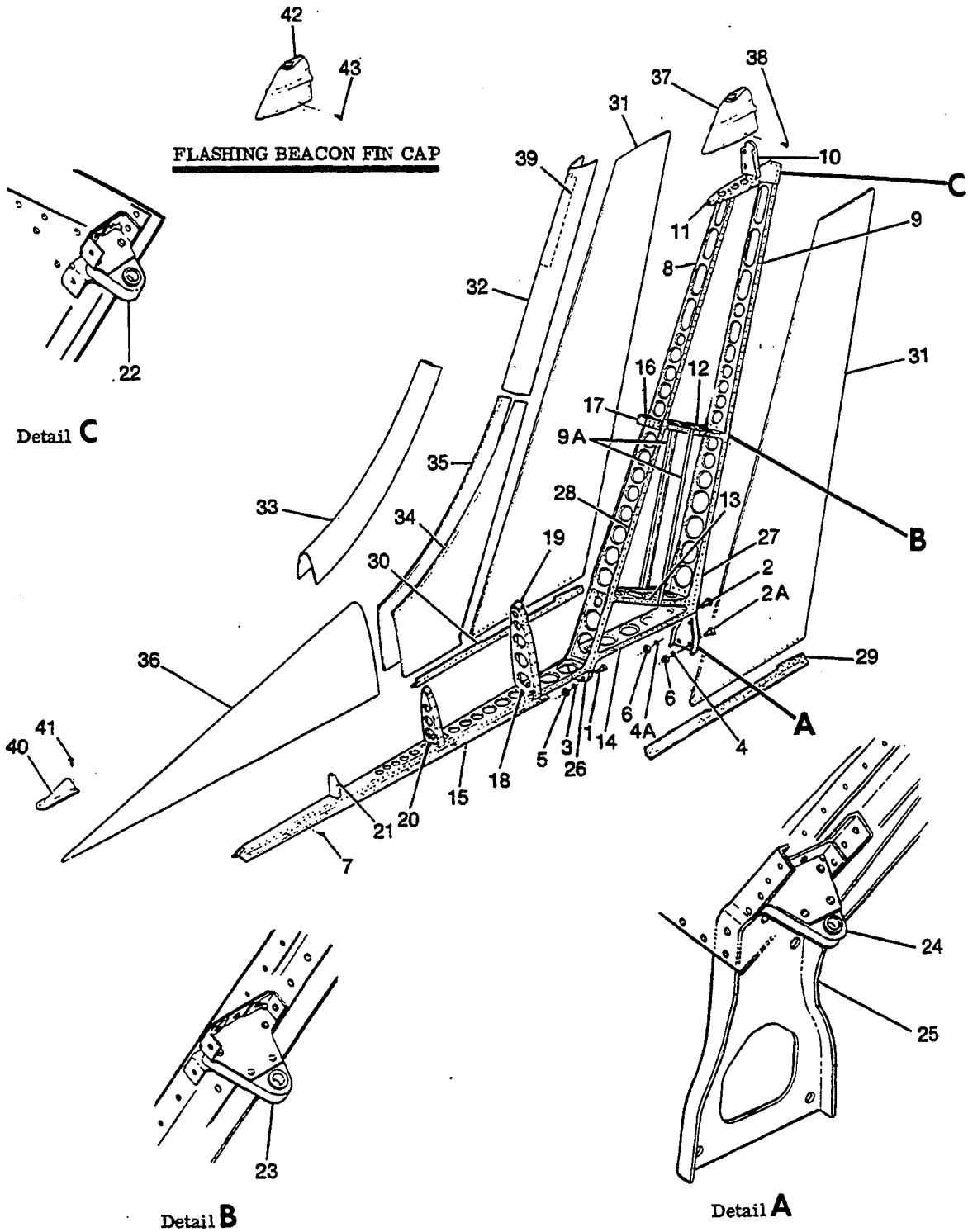
Figure 20. Wing Strut Installation

# 182 & T182 Parts Catalog

FIGURE AND INDEX NO.	PART NUMBER	DESCRIPTION							UNITS PER ASSY	USABLE ON CODE
		1	2	3	4	5	6	7		
20 -		STRUT INSTALLATION-WING -----							NP	C
- 1	0723610-5	STRUT ASSY-LH -----							1	
	0723610-6	STRUT ASSY-RH -----							1	
		ATTACHING PARTS -----								
- 2	AN8-25A	BOLT -----							1	
- 3	0523307-2	SPACER -----							1	A
	1200812-1	SPACER -----							1	B
- 4	AN960-816	WASHER -----							3	
- 5	MS20365-820C	NUT -----							1	
- 6	AN8-20A	BOLT -----							1	
- 7	AN960-816	WASHER -----							2	
- 8	MS20365-82C	NUT -----							1	
		*-----								
- 9	0523614-1	FITTING-WING STRUT					UPPER	-----	1	
-10	0723614-1	FITTING-WING STRUT					LOWER	-----	1	
		ATTACHING PARTS -----								
-11	MS20426AD10	RIVET -----							10	
	0723600-6	RIVET ALTERNATE -----							10	
		*-----								
-12	0523615-1	RING-MOORING -----							1	
		ATTACHING PARTS -----								
-13	MS20392-2C63	PIN -----							1	
-14	0523616-1	SPRING -----							1	
-15	MS24665-132	PIN-COTTER -----							1	
		*-----								
-16	0723605-3	FAIRING-UPPER LH -----							1	
	0723605-4	FAIRING-UPPER RH -----							1	
-17	0723612-3	FAIRING-LOWER LH -----							1	
	0723612-4	FAIRING-LOWER RH -----							1	
		ATTACHING PARTS -----								
-18	A08-75	RIVNUT GD -----							1	
-19	AN515-8R8	SCREW -----							3	
		*-----								
-20	S225-2	PLATE ASSY-AFT LH -----							1	
	S225-2	PLATE ASSY-AFT RH -----							1	
-21	S225-2	PLATE ASSY-FWD LH -----							1	
	S225-2	PLATE ASSY-FWD RH -----							1	
-22	Y8562	TAPE-POLYURETHANE 13.5 IN LG BKI -----							AR	
	S2108-4	SEAL-UPPER STRUT FAIRING BKI -----							AR	
		<p>A---182 SERIAL 18262466 THRU 18265965                      F182 SERIAL F18200001 THRU F18200064</p> <p>B---182 SERIAL 18265966 &amp; ON                      F182 SERIAL F18200065 THRU F18200169                      T182 SERIAL 18267716 &amp; ON</p> <p>C---182 SERIAL 18262466 &amp; ON                      F182 SERIAL F18200001 THRU F18200169                      T182 SERIAL 18267716 &amp; ON</p>								

# 182 & T182 Parts Catalog

Empennage (Cont)



182 SERIAL 18262466 & ON  
F182 SERIAL F18200001 THRU F18200169  
T182 SERIAL 18267716 & ON

Figure 21. Fin & Dorsal Installation



# 182 & T182 Parts Catalog

FIGURE AND INDEX NO.	PART NUMBER	DESCRIPTION							UNITS PER ASSY	USABLE ON CODE
		1	2	3	4	5	6	7		
21 -		FIN & DORSAL INSTALLATION -----							NP	A
	1231057-1	FIN ASSEMBLY -----							1	B
	1231057-16	FIN ASSEMBLY -----							1	G
	1231057-18	FIN ASSEMBLY PARTS -----							1	H
		ATTACHING PARTS -----								
- 1	AN4-6A	BOLT -----							4	
- 2	AN5-7A	BOLT -----							2	
- 2A	AN5-6A	BOLT -----							2	
- 3	AN960-416	WASHER -----							8	
- 4	AN960-516	WASHER -----							6	
- 5	MS21042L4	NUT -----							4	
- 6	MS21042L5	NUT -----							4	
- 7	AN525-832R7	SCREW -----							2	
		-----*								
- 8	1231002-5	SPAR-FIN FORWARD -----							1	
- 9	1231002-4	SPAR-FIN AFT WEU 1231002-7 -----							1	J
	1231002-7	SPAR-FIN AFT -----							1	H
- 9A	1231070-1	STIFFENER-VERTICAL FIN -----							2	
-10	1231010-3	RIB ASSY-FIN TIP CAP -----							1	
	NAS696A08K	NUTPLATE -----							2	
	NAS697A08K	NUTPLATE -----							2	
-11	1231008-1	RIB ASSY-FIN UPPER WEU 1231008-5 -----							1	J
	1231008-5	RIB ASSY-FIN UPPER -----							1	H
	MS21073L08K	NUTPLATE -----							10	
	NAS680A06	NUTPLATE -----							1	
	NAS680A3	NUTPLATE -----							1	
-12	1231007-1	RIB-FIN CENTER -----							1	
-13	1231006-1	RIB-FIN LOWER -----							1	
-14	1231005-3	RIB-FIN BASE AFT -----							1	
-15	1231049-1	RIB-FIN BASE FORWARD -----							1	
-16	1231009-1	RIB ASSY-LEADING EDGE CENTER -----							1	
-17	1231009-3	STRIP-LEADING EDGE -----							1	
-18	0731602-1	RIB-DORSAL STA 200.45 -----							1	
-19	0731602-2	STRIP-LEADING EDGE -----							1	
-20	1231049-2	RIB-DORSAL STA 180.00 -----							1	
-21	1231049-3	RIB-DORSAL STA 160.00 -----							1	
-22	1231023-3	BRACKET ASSY-HINGE UPPER -----							1	
-23	1231023-2	BRACKET ASSY-HINGE CENTER -----							1	
-24	1231023-1	BRACKET ASSY-HINGE LOWER -----							1	
-25	1231058-1	FITTING-FIN ATTACH AFT -----							1	
-26	1231056-1	FITTING-FIN ATTACH FWD -----							1	
-27	1231014-6	PLATE-SPAR DOUBLER AFT -----							2	
-28	1231014-5	PLATE-SPAR DOUBLER FORWARD -----							2	
-29	0731604-7	FAIRING ASSY-DORSAL TO FUSELAGE AFT LH -----							1	
-30	0731604-8	FAIRING ASSY-DORSAL TO FUSELAGE AFT RH -----							1	
	A6196-8Z3	NUT TIN -----							1	
	A6195-8Z3	NUT TIN -----							4	
-31	1231000-18	SKIN-FIN -----							2	
-32	1231000-4	SKIN-FIN LEADING EDGE UPPER -----							1	
-33	1231000-17	SKIN-FIN LEADING EDGE LOWER -----							1	
-34	1231057-3	SKIN-FIN LH -----							1	
-35	1231057-4	SKIN-FIN RH -----							1	
-36	1231048-2	SKIN-DORSAL -----							1	
-37	0731606-1	CAP-FIN TIP -----							1	
	0731606-10	CAP-FIN TIP -----							1	B
		ATTACHING PARTS -----								C
-38	NAS220-6	SCREW -----							14	
		-----*								
-39	1231000-7	DOUBLER-LEADING EDGE SKIN -----							1	
-40	1231050-2	FAIRING-DORSAL FIN -----							1	
		ATTACHING PARTS -----								
-41	AN525-832R7	SCREW -----							4	
		-----*								

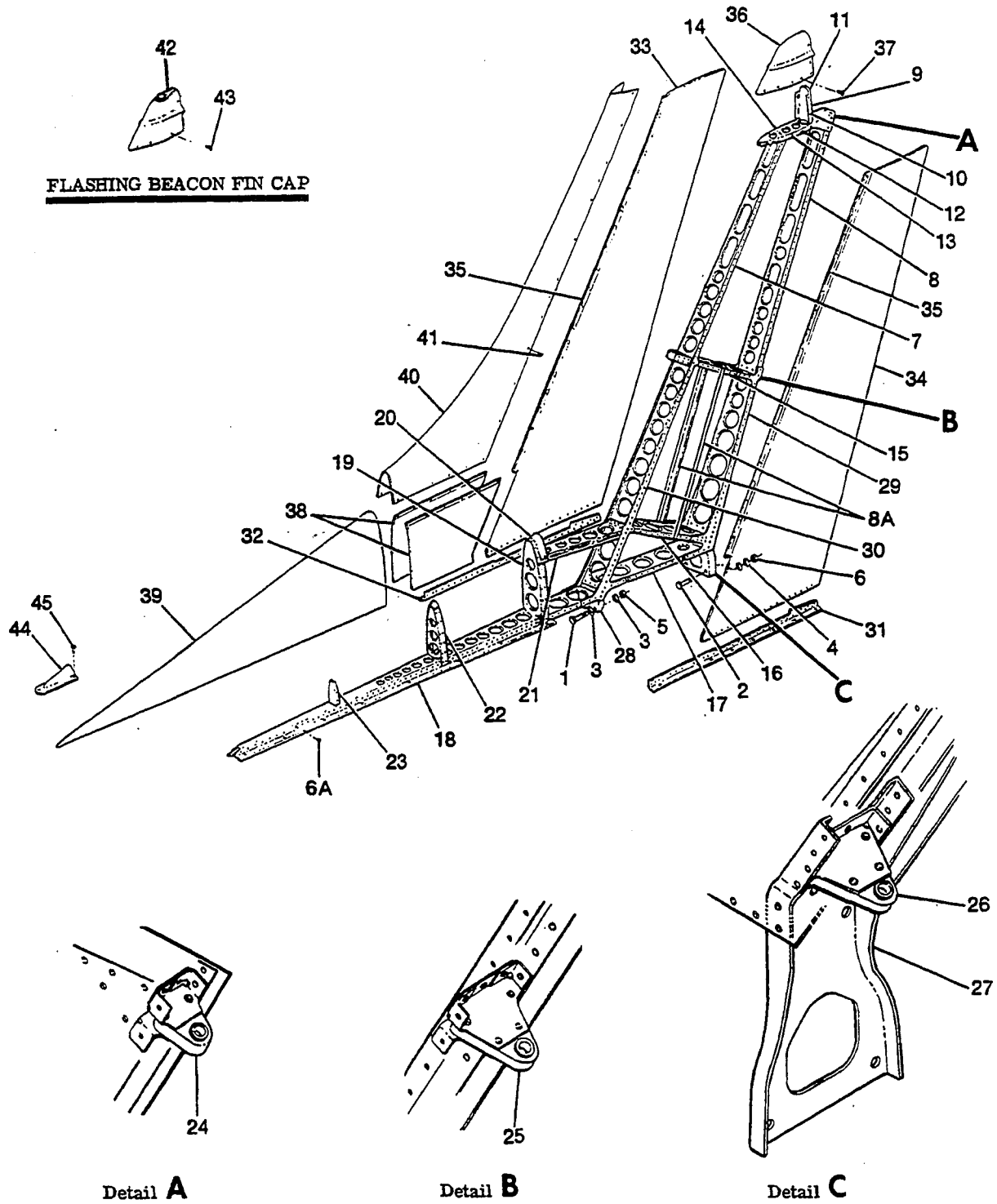
CONTINUED ON NEXT PAGE

# 182 & T182 Parts Catalog

FIGURE AND INDEX NO.	PART NUMBER	DESCRIPTION	UNITS PER ASSY	USABLE ON CODE
		1 2 3 4 5 6 7		
21 -42	1231059-1	FIN TIP ASSY-FLASHING BEACON -----	1	B D E
	1231064-1	FIN TIP ASSY-FLASHING BEACON -----	1	
	1231064-3	FIN TIP ASSY-FLASHING BEACON -----	1	
-43	AN525-832R6	ATTACHING PARTS SCREW ----- -----*	14	
		<p>A---182 SERIAL 18262466 &amp; ON  F182 SERIAL F18200001 THRU F18200169  T182 SERIAL 18267716 &amp; ON</p> <p>B---182 SERIAL 18262466 THRU 18264295</p> <p>C---182 SERIAL 18264296 &amp; ON  F182 SERIAL F18200001 THRU F18200169  T182 SERIAL 18267716 &amp; ON</p> <p>D---182 SERIAL 18264296 THRU 18266517  F182 SERIAL F18200001 THRU F18200094</p> <p>E---182 SERIAL 18266518 &amp; ON  F182 SERIAL F18200095 THRU F18200169  T182 SERIAL 18267716 &amp; ON</p> <p>F---182 SERIAL 18267035 THRU 18267401  F182 SERIAL F18200130 THRU F18200169</p> <p>G---182 SERIAL 18264296 THRU 18267715  F182 SERIAL F18200001 THRU F18200169</p> <p>H---182 &amp; T182 SERIAL 18267716 &amp; ON</p> <p>J---182 SERIAL 18262466 THRU 18267715  F182 SERIAL F18200001 THRU F18200169</p>		

# 182 & T182 Parts Catalog

Empennage (Cont)



**FLASHING BEACON FIN CAP**

**182 SERIAL 18263476 THRU 18267715**  
**F182 SERIAL F18200001 THRU F18200169**

Figure 22. Fin & Dorsal Installation - VHF Comm Antenna

# 182 & T182 Parts Catalog

FIGURE AND INDEX NO.	PART NUMBER	DESCRIPTION	UNITS PER ASSY							USABLE ON CODE	
			1	2	3	4	5	6	7		
22 -		FIN & DORSAL INSTALLATION-VFH COMM ANTENNA -----								NP	A
	1231057-15 *	FIN ASSY-VHF COMM ANTENNA -----								1	B
	1231057-17 *	FIN ASSY-VHF COMM ANTENNA -----								1	C
		ATTACHING PARTS									
- 1	AN4-6A	BOLT FWD ATTACH -----								4	
- 2	AN5-7A	BOLT LOWER AFT ATTACH -----								2	
	AN5-6A	BOLT UPPER AFT ATTACH -----								2	
- 3	AN960-416	WASHER FWD -----								8	
- 4	AN960-516	WASHER AFT -----								8	
- 5	MS21042L4	NUT FWD -----								4	
- 6	MS21042L5	NUT AFT -----								4	
- 6A	AN525-832R7	SCREW -----								2	
		-----*									
- 7	1231002-5	SPAR-FIN FWD -----								1	
- 8	1231002-4	SPAR-FIN AFT -----								1	
- 8A	1231070-1	STIFFENER-VERTICAL FIN -----								2	F
- 9	1231010-3	RIB ASSY-FIN TIP CAP -----								1	
- 10	NAS697A08K	NUT PLATE -----								2	
- 11	NAS696A08K	NUT PLATE -----								2	
- 12	1231062-5	RIB ASSY-FIN UPPER -----								1	
- 13	NAS698A08K	NUTPLATE -----								10	
- 14	NAS680A06	NUTPLATE -----								1	
- 15	1231007-1	RIB-FIN CENTER -----								1	
- 16	1231006-1	RIB-FIN LOWER -----								1	
- 17	1231005-3	RIB-FIN BASE AFT -----								1	
- 18	1231049-1	RIB-FIN BASE FWD -----								1	
- 19	1231060-1	RIB-DORSAL STA 200.45 -----								1	
- 20	1231060-3	STRIP-ADAPTER STA. 200.45 -----								1	
- 21	1231063-1	RIB ASSY-FIN -----								1	
	NAS686A08K	NUTPLATE -----								12	
- 22	1231049-2	RIB-DORSAL STA. 180.00 -----								1	
- 23	1231049-3	RIB-DORSAL STA. 160.00 -----								1	
- 24	1231023-3	BRACKET ASSY-HINGE UPPER -----								1	
- 25	1231023-2	BRACKET ASSY-HINGE CENTER -----								1	
- 26	1231023-1	BRACKET ASSY-HINGE LOWER -----								1	
- 27	1231058-1	FITTING-FIN ATTACH AFT -----								1	
- 28	1231056-1	FITTING-FIN ATTACH FWD -----								1	
- 29	1231014-6	PLATE-SPAR DOUBLER AFT -----								2	
- 30	1231014-4	PLATE-SPAR DOUBLER FWD WEU 1231014-5 -----								2	
	1231014-5	PLATE-SPAR DOUBLER FWD -----								2	
- 31	0731604-7	FAIRING ASSY-DORSAL TO FUSELAGE AFT LH -----								1	
- 32	0731604-8	FAIRING ASSY-DORSAL TO FUSELAGE AFT RH -----								1	
	A6196-8Z3	NUTPLATE -----								1	
	A6195-8Z3	NUTPLATE -----								4	
- 33	1231057-11	SKIN ASSY RH-FIN -----								1	
- 34	1231057-12	SKIN ASSY LH-FIN -----								1	
- 35	NAS686A08K	NUTPLATE -----								19	
- 36	0731606-1	CAP-FIN TIP -----								1	B
	0731606-10	CAP-FIN TIP -----								1	C
		ATTACHING PARTS									
- 37	AN525-832R6	SCREW -----								14	
		-----*									
- 38	1231057-9	SKIN-FIN -----								2	
- 39	1231057-10	SKIN-DORSAL -----								1	
- 40	1270718-201	ANTENNA ASSY-VHF COMM -----								1	
		ATTACHING PARTS									
- 41	AN507-832R7	SCREW -----								50	
		-----*									
- 42	1231059-1	FIN TIP ASSY-FLASHING BEACON -----								1	B
	1231064-1	FIN TIP ASSY-FLASHING BEACON -----								1	D
	1231064-3	FIN TIP ASSY-FLASHING BEACON -----								1	E
- 43	AN525-832R6	SCREW -----								14	
- 44	1231050-2	FAIRING-DORSAL FIN -----								1	
- 45	AN525-832R7	SCREW -----								4	

NOTE. \*FOR STANDARD FIN ASSY-SEE FIGURE 21.

- A---182 SERIAL 18263476 THRU 18267715  
F182 SERIAL F18200001 THRU F18200169
- B---182 SERIAL 18263476 THRU 18264295
- C---182 SERIAL 18264296 THRU 18267715
- D---182 SERIAL 18264296 THRU 18266517  
F182 SERIAL F18200001 THRU F18200094
- E---182 SERIAL 18266518 THRU 18267715  
F182 SERIAL F18200095 THRU F18200169
- F---182 SERIAL 18267035 THRU 18267401  
F182 SERIAL F18200130 THRU F18200169

# 182 & T182 Parts Catalog

## Empennage (Cont)

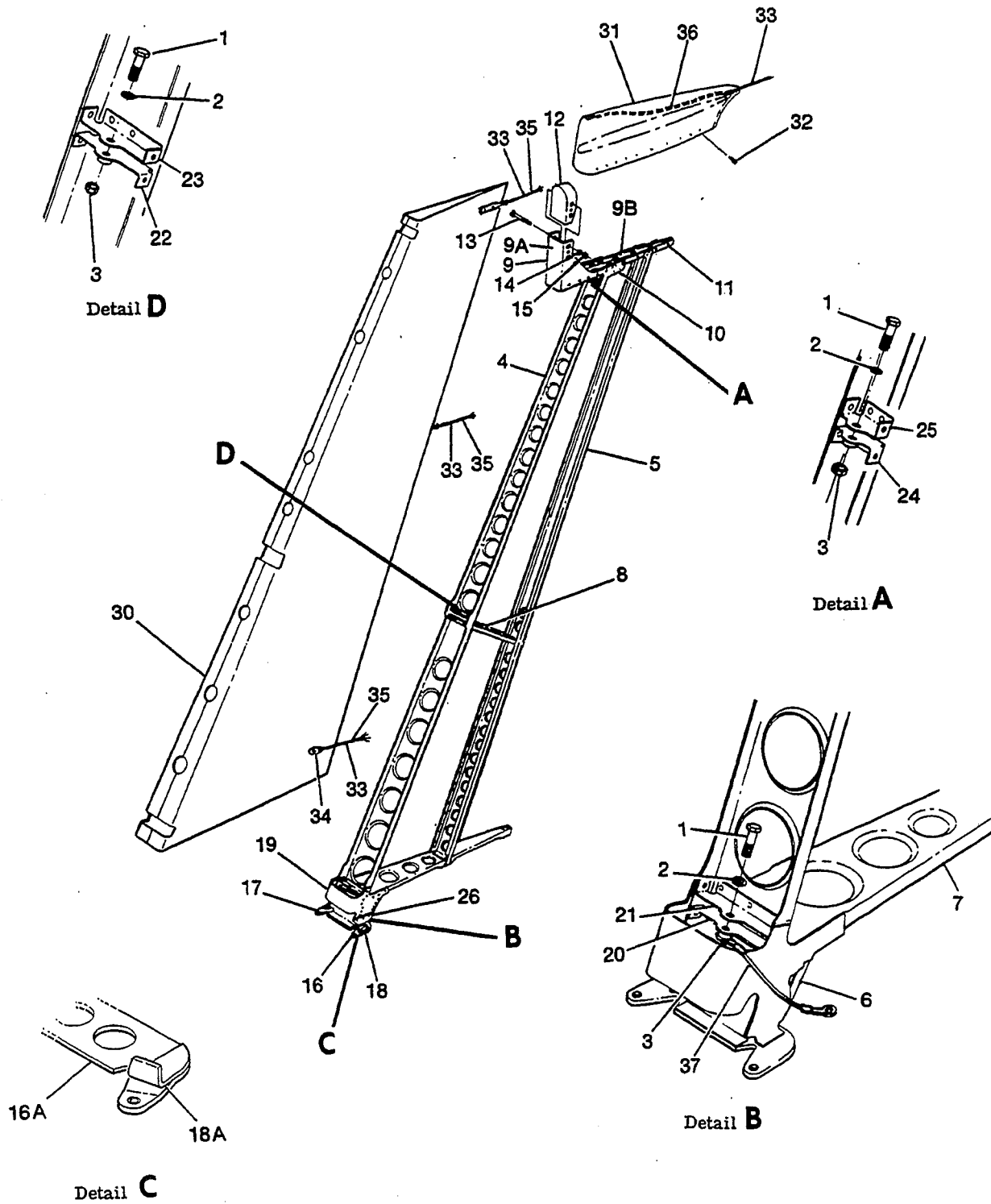


Figure 23. Rudder Assembly

# 182 & T182 Parts Catalog

FIGURE AND INDEX NO.	PART NUMBER	DESCRIPTION							UNITS PER ASSY	USABLE ON CODE
		1	2	3	4	5	6	7		
23 -	1231001-11 1231001-13	RUDDER ASSEMBLY-SWEPT BACK -----							1	A
		RUDDER ASSEMBLY-SWEPT BACK -----							1	B
		ATTACHING PARTS								
- 1	AN4-11A	BOLT -----							3	
- 2	AN960-416	WASHER -----							3	
- 3	MS21042L4	NUT -----							3	
		-----*								
- 4	1231015-1	SPAR-FORWARD -----							1	
- 5	1231015-2	SPAR-REAR -----							1	
- 6	1231015-3	SPAR-BELLCRANK -----							1	
- 7	1231016-1	RIB-LOWER -----							1	
- 8	1231017-1	RIB-CENTER -----							1	
- 9	1231033-1	RIB ASSEMBLY-RUDDER TIP -----							1	
- 9A	1231030-1	BRACKET-FWD -----							1	
- 9B	1231031-1	RIB TIP ASSY-FWD -----							1	
	NAS697A08K	NUTPLATE -----							20	
-10	1231029-1	BRACKET-AFT LH -----							1	
	1231029-2	BRACKET-AFT RH -----							1	
-11	1231032-2	RIB ASSY-AFT TIP -----							1	
		ATTACHING PARTS								
	AN507-832R8	SCREW -----							6	
		-----*								
	NAS696A08K	NUTPLATE -----							1	
	NAS697A08K	NUTPLATE -----							4	
	MS21073L08K	NUTPLATE -----							1	
-12	0733104-3	WEIGHT-RUDDER BALANCE -----							1	
		ATTACHING PARTS								
-13	AN509-10R31	SCREW -----							3	
-14	AN960-10	WASHER -----							3	
-15	MS21044N3	NUT -----							3	
		-----*								
-16	1231021-9	BELLCRANK ASSEMBLY-RUDDER WEU 1231021-12 -----							1	C
-16A	1231021-12	BELLCRANK ASSEMBLY-RUDDER -----							1	D
-17	1231021-8	SUPPORT-RH WEU 0733118-1 -----							1	C
	0733113-1	TEE CLIP -----							1	C
-18	1231021-7	SUPPORT-LH WEU 0733118-2 -----							1	C
	0733113-1	TEE CLIP -----							1	C
	0733103-1	BUSHING-BELLCRANK -----							2	
-18A	0733118-2	CLIP-LH RUDDER STOP -----							1	D
	0733118-1	CLIP-RH RUDDER STOP -----							1	D
-19	1231022-1	GUSSET-BELLCRANK -----							1	
-20	1231023-16	BRACKET-LOWER RUDDER HINGE -----							1	
-21	1231023-19	BRACKET-LOWER RUDDER HINGE -----							1	
-22	1231023-17	BRACKET-CENTER RUDDER HINGE -----							1	
-23	1231023-20	BRACKET-CENTER RUDDER HINGE -----							1	
-24	1231023-18	BRACKET-UPPER RUDDER HINGE -----							1	
-25	1231023-21	BRACKET-UPPER RUDDER HINGE -----							1	
-26	1231026-1	CLIP-BELLCRANK LH -----							1	
	1231026-2	CLIP-BELLCRANK RH -----							1	
-27		DELETED NEVER USED -----								
-28		DELETED NEVER USED -----								
-29		DELETED NEVER USED -----								
-30	1231001-3	SKIN-RUDDER -----							1	
-31	0731606-6-791	CAP-RUDDER TIP -----							1	A
	0731606-9-791	CAP-RUDDER TIP -----							1	B
		ATTACHING PARTS								
-32	AN525-832R7	SCREW -----							12	
	NAS220-8	SCREW -----							8	
		-----*								
-33	C592001-0201	WICK-STATIC DISCHARGE -----							4	A
		ATTACHING PARTS								
-34	AN515-6R10	SCREW -----							2	A
	MS35333-37	WASHER -----							2	A
	S1648-06K75	NUT -----							2	A
		-----*								

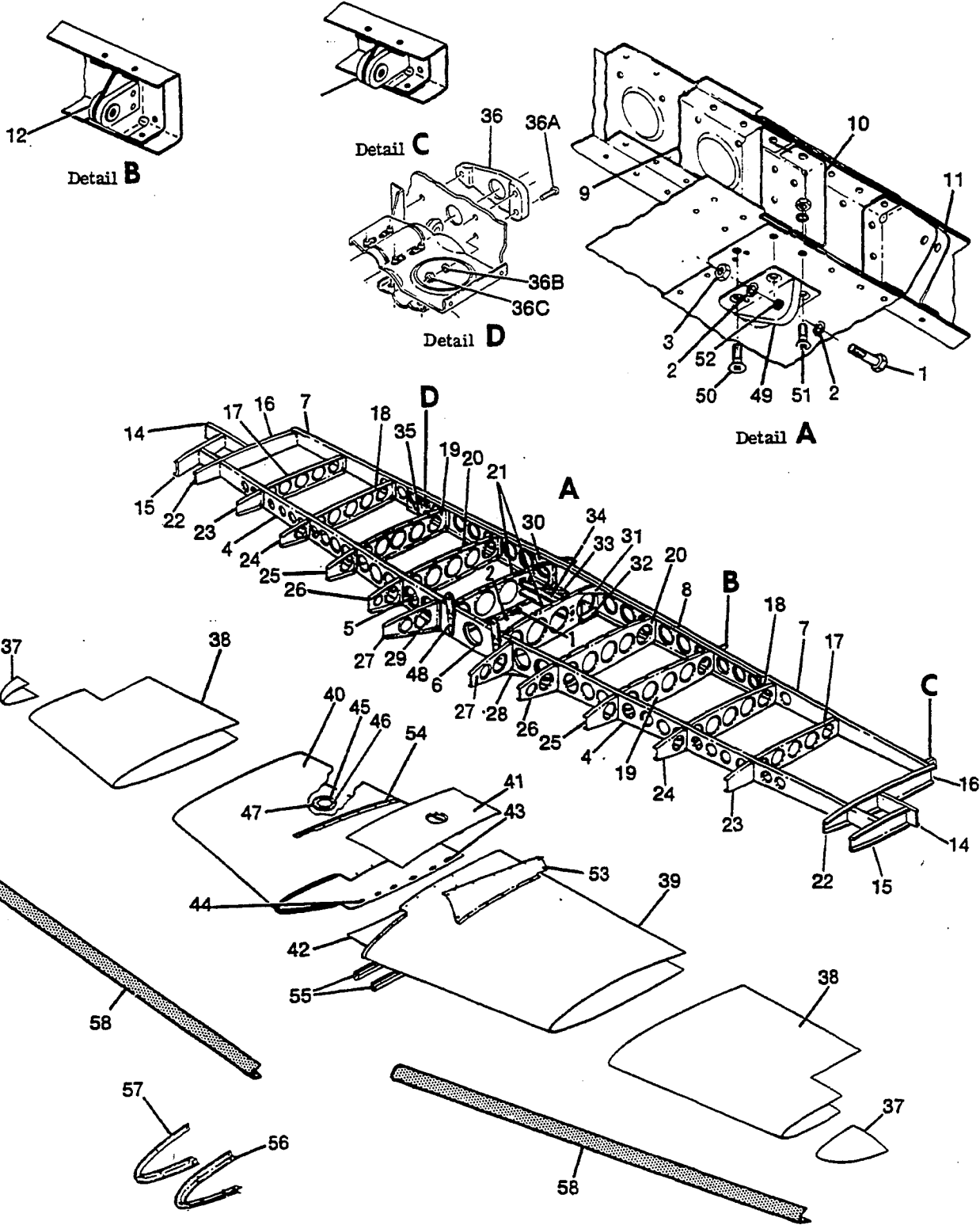
CONTINUED ON NEXT PAGE

# 182 & T182 Parts Catalog

FIGURE AND INDEX NO.	PART NUMBER	DESCRIPTION	UNITS PER ASSY	USABLE ON CODE
		1 2 3 4 5 6 7		
23 -35  -36 -37	C592001-0203 C592001-0204 C592001-0205 1570102-8 AN960PD3 1570102-12	WICK-STATIC DISCHARGE FS0 C592001-0203 ----- WICK ASSY-STATIC DISCHARGE ----- WICK-DISCHARGE ----- BASE-STATIC DISCHARGE WICK ----- STRAP ASSY-BONDING ----- WASHER ----- STRAP ASSY-BONDING -----  A---182 SERIAL 18262466 THRU 18264295 B---182 SERIAL 18264296 & ON F182 SERIAL F18200001 THRU F18200169 T182 SERIAL 18267716 & ON C---182 SERIAL 18262466 THRU 18267182 F182 SERIAL F18200001 THRU F18200129 D---182 SERIAL 18267183 & ON F182 SERIAL F18200130 THRU F18200169 T182 SERIAL 18267716 E---182 SERIAL 18264296 THRU 18268383 F182 SERIAL F18200001 THRU F18200169 T182 SERIAL 18267716 THRU 18268383 F---182 & T182 SERIAL 18268384 & ON	4 3 1 1 1 2 1	E F F F A

# 182 & T182 Parts Catalog

## Empennage (Cont)



**182 SERIAL 18262466 & ON**  
**F182 SERIAL F1820001 THRU F18200169**  
**T182 SERIAL 18267716 & ON**

Figure 24. Stabilizer Installation



# 182 & T182 Parts Catalog

FIGURE AND INDEX NO.	PART NUMBER	DESCRIPTION							UNITS PER ASSY	USABLE ON CODE
		1	2	3	4	5	6	7		
24 -		STABILIZER INSTALLATION -----							NP	A
	1232600-7	STABILIZER ASSEMBLY WEU 1232600-31 -----							1	B
	1232600-207 @	STABILIZER ASSY ELECTRIC TRIM PROVISIONS -----							1	D
	1232600-208 @	STABILIZER ASSY ELECTRIC TRIM PROVISIONS -----							1	E
	1232600-31	STABILIZER ASSEMBLY -----							1	C
	1232600-209 @	STABILIZER ASSY ELECTRIC TRIM PROVISIONS -----							1	C
		ATTACHING PARTS -----								
- 1	AN4-11A	BOLT -----							4	
- 2	AN960-416	WASHER -----							6	
- 3	MS21042L4	NUT -----							2	
		*-----								
	1232610-2	SPAR ASSEMBLY-STABILIZER FRONT -----							1	
- 4	1232610-4	SPAR-FRONT -----							2	
- 5	1232605-1	SPLICE -----							1	
- 6	1232116	CHANNEL -----							1	
	1232610-1	SPAR ASSEMBLY-STABILIZER REAR -----							1	
- 7	1232610-3	SPAR-REAR -----							1	
- 8	1232114-1	CHANNEL -----							1	
- 9	0732603-2	CHANNEL -----							1	
-10	0732101-4	REINFORCEMENT -----							2	
-11	0732100-6	BRACKET-HINGE INBOARD -----							2	
-12	0732100-7	BRACKET ASSEMBLY-HINGE CENTER -----							2	
-13	1234626-1	BRACKET ASSEMBLY HINGE OUTBOARD -----							1	
-14	1232602-1	RIB-STABILIZER LATERAL -----							2	
-15	1232601-1	RIB-STABILIZER TIP STA. 66.193 -----							2	B
	2232000-1	RIB-STABILIZER TIP STA. 66.193 -----							2	C
-16	1232603-1	RIB-STABILIZER STA. 61.063 -----							2	
-17	0732610-5	RIB-STABILIZER STA. 50.375 -----							2	
-18	0732610-6	RIB-STABILIZER STA. 38.875 -----							2	
-19	1232108-1	RIB-STABILIZER STA. 27.375 -----							2	
-20	1232105	RIB-STABILIZER STA. 16.000 -----							2	
-21	1232106	RIB-STABILIZER CANTED -----							2	
-22	1232603-2	RIB-STABILIZER NOSE STA. 61.063 -----							2	
-23	0732611-7	RIB-STABILIZER NOSE STA. 50.375 -----							2	
-24	0732611-8	RIB-STABILIZER NOSE STA. 38.875 -----							2	
-25	0732611-9	RIB-STABILIZER NOSE STA. 27.375 -----							2	
-26	0732611-10	RIB-STABILIZER NOSE STA. 16.000 -----							2	
-27	0732611-11	RIB-STABILIZER NOSE CANTED -----							2	
-28	1232118-1	DOUBLER-STABILIZER LOWER LH & UPPER RH FORWARD -----							2	
-29	1232118-2	DOUBLER-STABILIZER UPPER LH & LOWER RH FORWARD -----							2	
-30	1232606-1	DOUBLER-STABILIZER LOWER LH & UPPER RH AFT -----							2	
-31	1232606-2	DOUBLER-STABILIZER UPPER LH & LOWER RH AFT -----							2	
-32	0732106-1	REINFORCEMENT-STABILIZER LH AFT -----							1	
-33	0732106	REINFORCEMENT-STABILIZER RH AFT -----							1	
-34	1232140-1	BRACKET-TRIM TAB PULLEY -----							1	
-35	1232139-1	BRACKET ASSEMBLY-TRIM TAB ACTUATOR -----							1	B
	1232139-3	BRACKET ASSEMBLY-TRIM TAB ACTUATOR -----							1	C
	NAS696A3	NUTPLATE -----							4	
	NAS697A3	NUTPLATE -----							1	B
-36	0732617-3	BRACKET ASSY-TRIM TAB ACTUATOR MOUNTING -----							1	C
	1234023-1	BRACE-TRIM TAB ACTUATOR -----							1	
		ATTACHING PARTS -----								
-36A	NAS221-3	SCREW -----							3	
-36B	AN960-10	WASHER -----							2	
-36C	MS21044N3	NUT -----							2	
		*-----								
-37	1232604-1	TIP-STABILIZER -----							2	B
	1232604-2	TIP-STABILIZER -----							2	C
-38	1232600-2	SKIN-STABILIZER OUTBOARD -----							2	C
	1232600-32	SKIN-STABILIZER OUTBOARD -----							2	C
-39	1232600-3	SKIN-STABILIZER INBOARD LH -----							1	
-40	1232600-4	SKIN-STABILIZER INBOARD RH -----							1	
	1232600-206	SKIN-STABILIZER INBOARD RH ELECIC TRIM -----							1	
-41	1232600-19	SKIN ASSY-STABILIZER CENTER UPPER -----							1	
	MS21044N08	NUTPLATE -----							4	
-42	0732600-3	SKIN-STABILIZER CENTER LOWER -----							1	
-43	S1863-3A	NUT TIN -----							2	
-44	S1862-2A	NUT TIN -----							1	
-45	1232142-1	DOUBLER-INSPECTION HOLE -----							1	
-46	NAS395-14-3	NUT -----							4	
-47	1232141-1	PLATE-INSPECTION HOLE -----							1	
		ATTACHING PARTS -----								
	S102178-8	SCREW -----							4	
		*-----								

CONTINUED ON NEXT PAGE

# 182 & T182 Parts Catalog

FIGURE AND INDEX NO.	PART NUMBER	DESCRIPTION							UNITS PER ASSY	USABLE ON CODE
		1	2	3	4	5	6	7		
24 -48	0732601-3	FITTING-STABILIZER ATTACH FORWARD -----							2	
-49	1232400-1	HINGE ASSEMBLY-STABILIZER ATTACH AFT LH -----							1	
	1232400-2	HINGE ASSEMBLY-STABILIZER ATTACH AFT RH -----							1	
		ATTACHING PARTS								
-50	AN509-416R12	SCREW -----							2	
-51	AN509-416R13	SCREW -----							4	
	AN960-416	WASHER -----							6	
	MS21042L4	NUT -----							6	
		*-----								
-52	1232143-1	BUSHING -----							1	
-53	0732615-5	FAIRING-STABILIZER UPPER LH -----							1	
-54	0732615-6	FAIRING-STABILIZER UPPER RH -----							1	
		ATTACHING PARTS								
	S1021Z8-8	SCREW -----							13	
	NAS395-10-3	NUT -----							2	
	AN525-832R7	SCREW -----							2	
		*-----								
-55	S202R1750B	CHANNEL -----							2	
-56	0732614-1	FAIRING-STABILIZER FORWARD LH -----							1	
-57	0732614-2	FAIRING-STABILIZER FORWARD RH -----							1	
		ATTACHING PARTS								
	S1021Z8-8	SCREW -----							3	
		*-----								
-58	1232040-3	BOOT-ABRASION	68.00	IN	LG	-----		2		
<p>NOTE. WHEN ORDERING THIS PART FOR SPARES PRIOR TO SERIAL 18267503, BOTH ABRASION BOOTS MUST BE REPLACED WITH 1232040-3</p> <p>NOTE. THIS STABILIZER ASSY IS EQUIPPED WITH ELECTRIC TRIM PROVISIONS &amp; INCLUDES THE FOLLOWING PARTS WHICH ARE FOUND ON FIG 160, 161 OR 161A.            0732002-1 DOUBLER ASSY, 0732001-1 DOUBLER ASSY,            0732002-3 COVER PLATE, 0732001-3 OR            0732001-4 COVER PLATE &amp; 14 AN515-10R6 SCREWS.</p> <p>A---182 SERIAL 18262466 &amp; ON            F182 SERIAL F18200001 THRU F18200169            T182 SERIAL 18267716 &amp; ON</p> <p>B---182 SERIAL 18262466 THRU 18267300            F182 SERIAL F18200001 THRU F18200129</p> <p>C---182 SERIAL 18267301 &amp; ON            F182 SERIAL F18200130 THRU F18200169            T182 SERIAL 18267716 &amp; ON</p> <p>D---182 SERIAL 18262466 THRU 18265965            F182 SERIAL F18200001 THRU F18200064</p> <p>E---182 SERIAL 18265966 THRU 18267300            F182 SERIAL F18200065 THRU F18200129</p>										

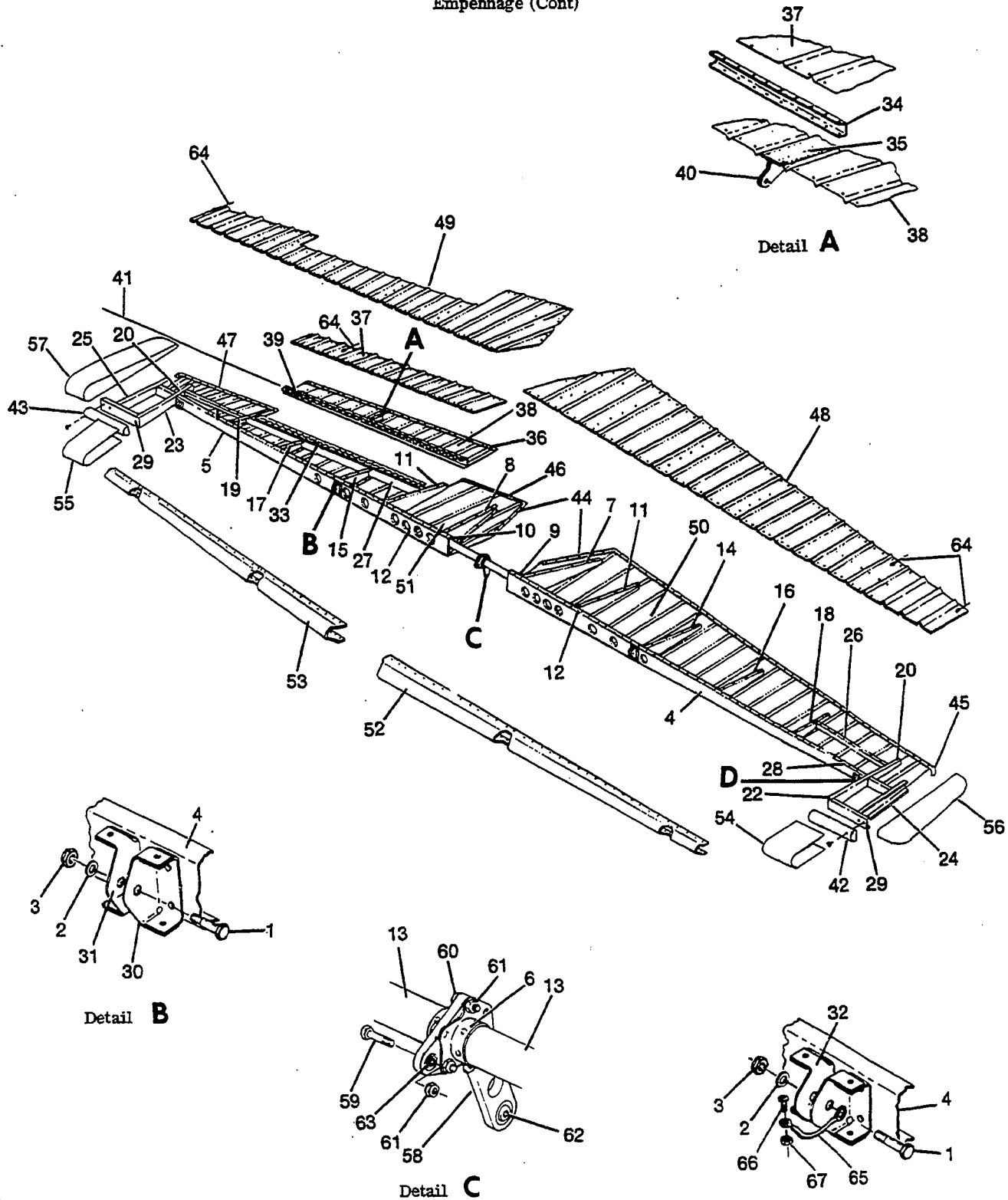
# 182 & T182 Parts Catalog

FIGURE AND INDEX NO.	PART NUMBER	DESCRIPTION							UNITS PER ASSY	USABLE ON CODE
		1	2	3	4	5	6	7		
25 -	1234600-1	ELEVATOR INSTALLATION -----							NP	A
	1234600-2	ELEVATOR ASSEMBLY-LH -----							1	
		ELEVATOR ASSEMBLY-RH -----							1	
		ATTACHING PARTS -----								
- 1	AN4-11A	BOLT -----							2	
- 2	AN960-416	WASHER -----							2	
- 3	MS21042L4	NUT -----							2	
		-----*								
	1234602-1	SPAR ASSEMBLY-ELEVATOR LH -----							1	
	1234602-2	SPAR ASSEMBLY-ELEVATOR RH -----							1	
- 4	1234602-3	CHANNEL-LH -----							1	
- 5	1234602-4	CHANNEL-RH -----							1	
	0734110-1	TORQUE TUBE ASSEMBLY-LH -----							1	
	0734110-2	TORQUE TUBE ASSEMBLY-RH -----							1	
- 6	0734102-2	PLATE-TORQUE TUBE END -----							1	
- 7	0734110-5	RIB-INBOARD LH -----							1	
- 8	0734110-6	RIB-INBOARD RH -----							1	
- 9	0734110-3	ADAPTER-RIB INBOARD LH -----							1	
-10	0734110-4	ADAPTER-RIB INBOARD RH -----							1	
-11	0734102-7	RIB-OUTBOARD -----							1	
-12	0734102-8	ADAPTER-RIB OUTBOARD -----							1	
-13	0734110-7	TUBE-TORQUE -----							1	
-14	0734602-2	RIB-ELEVATOR LH	STA.	27.563	-----			1		
-15	0734602-5	RIB-ELEVATOR RH	STA.	27.563	-----			1		
-16	0734602-3	RIB-ELEVATOR LH	STA.	39.171	-----			1		
-17	0734602-6	RIB-ELEVATOR RH	STA.	39.171	-----			1		
-18	0734602-4	RIB-ELEVATOR LH	STA.	50.090	-----			1		
-19	1234612-1	RIB-ELEVATOR RH	STA.	50.090	-----			1		
-20	1234604-1	RIB-ELEVATOR LH	STA.	61.063	-----			1		
-21		DELETED -----								
-22	1234603-1	RIB-ELEVATOR LH	STA.	61.983	-----			1		
-23	1234603-2	RIB-ELEVATOR RH	STA.	61.983	-----			1		
-24	1234601-1	RIB-ELEVATOR LH	STA.	66.193	-----			1		
-25	1234601-2	RIB-ELEVATOR RH	STA.	66.193	-----			1		

CONTINUED ON NEXT PAGE

# 182 & T182 Parts Catalog

Empennage (Cont)



**182 SERIAL 18262466 & ON**  
**F182 SERIAL F1820001 THRU F18200169**  
**T182 SERIAL 18267716 & ON**

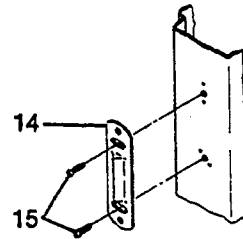
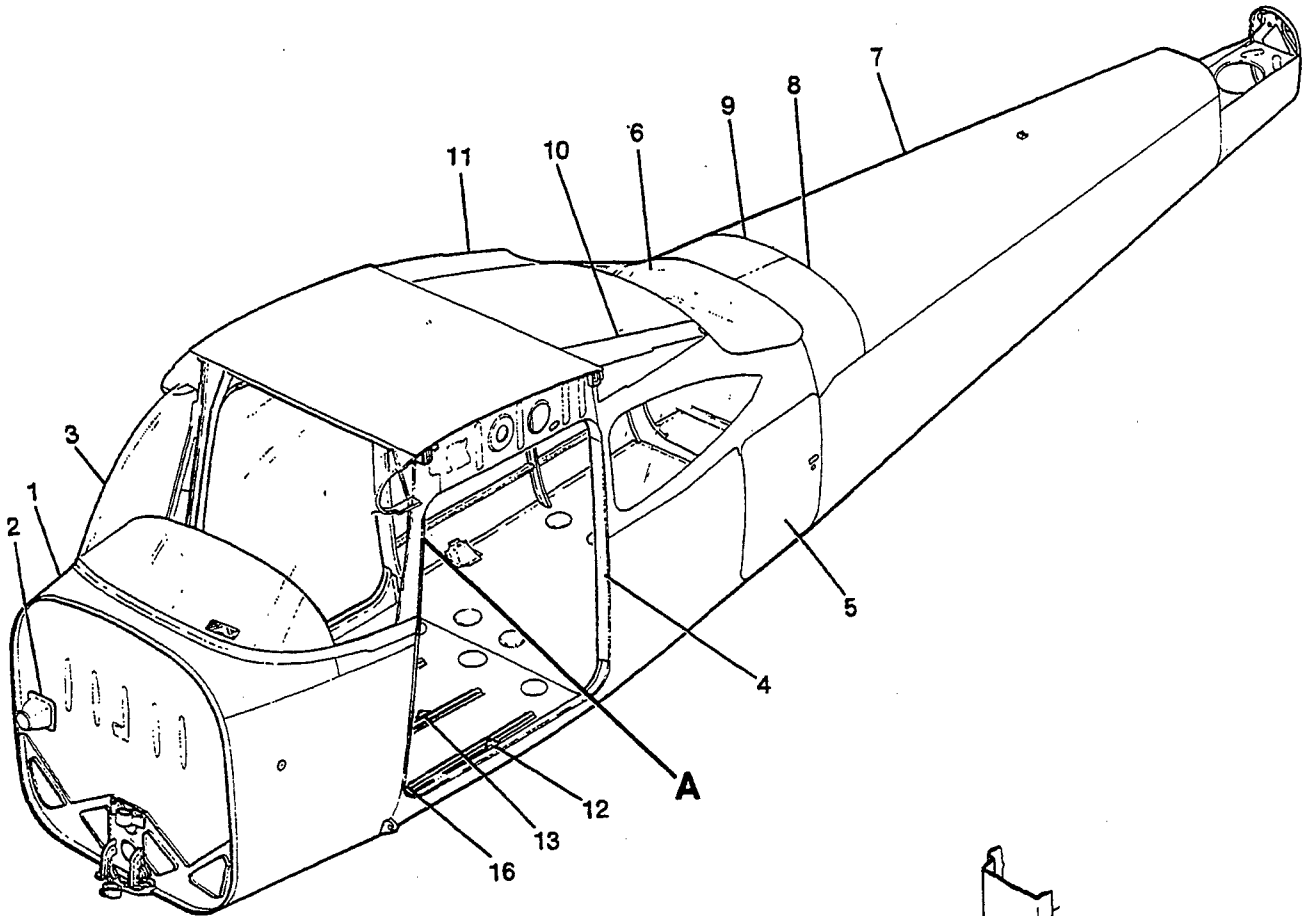
Figure 25. Elevator Installation

# 182 & T182 Parts Catalog

FIGURE AND INDEX NO.	PART NUMBER	DESCRIPTION							UNITS PER ASSY	USABLE ON CODE
		1	2	3	4	5	6	7		
25 -26	0734605-1	STIFFENER -----							2	B C D D D
-27	1234614-1	CHANNEL-ELEVATOR TRIM TAB RH -----							1	
-28	1234607-1	CHANNEL-ELEVATOR SPAR REINFORCEMENT -----							1	
-29	1234606-1	CHANNEL ASSEMBLY-ELEVATOR WEIGHT SUPPORT -----							1	
	NAS680A3	NUT PLATE -----							2	
-30	0732100-4	BRACKET-ELEVATOR HINGE INBOARD STA. 26.625 -----							1	
-31	0732100-10	BRACKET-ELEVATOR HINGE OUTBOARD STA. 26.625 -----							1	
-32	1234630-1	BRACKET ASSEMBLY-ELEVATOR HINGE STA. 60.810 -----							1	
-33	1234600-12	HINGE HALF-ELEVATOR TRIM TAB RH ONLY -----							1	
	1234613-1	TRIM TAB ASSEMBLY-ELEVATOR RH ONLY -----							1	
-34	1234610-1	SPAR-TRIM TAB -----							1	
-35	1234611-1	SPACER-TRIM TAB -----							1	
-36	1234613-4	SPACER-TRIM TAB -----							1	
-37	1234613-2	SKIN-TRIM TAB UPPER -----							1	
-38	1234613-3	SKIN-TRIM TAB LOWER -----							1	
-39	1234613-5	HINGE HALF-TRIM TAB -----							1	
-40	0734603-1	HORN ASSEMBLY-TRIM TAB -----							1	
-41	MS20253-2-4046	PIN-TRIM TAB HINGE RH ONLY -----							1	
-42	1234605-11	BALANCE WEIGHT-ELEVATOR LH -----							1	
-43	1234605-12	BALANCE WEIGHT-ELEVATOR RH -----							1	
		ATTACHING PARTS								
	AN3-10A	BOLT -----							1	
	AN509-10R23	SCREW -----							1	
	AN960-10L	WASHER -----							1	
		*-----								
-44	0734600-8	SPACER-ELEVATOR INBOARD -----							1	
-45	1234600-13	SPACER-ELEVATOR TRAILING EDGE LH -----							1	
-46	0734600-17	SPACER-ELEVATOR TRAILING EDGE INBOARD RH -----							1	
-47	1234600-14	SPACER-ELEVATOR TRAILING EDGE OUTBOARD RH -----							1	
-48	1234600-5	SKIN-ELEVATOR UPPER LH -----							1	
-49	1234600-6	SKIN-ELEVATOR UPPER RH -----							1	
-50	1234600-7	SKIN-ELEVATOR LOWER LH -----							1	
-51	1234600-8	SKIN-ELEVATOR LOWER RH -----							1	
-52	1234600-15	SKIN-ELEVATOR NOSE LH -----							1	
-53	1234600-16	SKIN-ELEVATOR NOSE RH -----							1	
-54	1234600-3	SKIN-ELEVATOR BALANCE TAB LH -----							1	
-55	1234600-4	SKIN-ELEVATOR BALANCE TAB RH -----							1	
-56	1234608-3	TIP-ELEVATOR LH -----							1	
-57	1234608-4	TIP-ELEVATOR RH -----							1	
-58	0760676-1	ARM ASSEMBLY-ELEVATOR -----							1	
		ATTACHING PARTS								
-59	AN4-11A	BOLT -----							1	
-60	AN4-7A	BOLT -----							3	
-61	MS21042L4	NUT -----							4	
		*-----								
-62	MS20200KP4	BEARING-LOWER -----							1	
-63	MS24462-4	BEARING-UPPER -----							1	
-64	C592001-0201	STATIC DISCHARGER -----							4	
		STATIC DISCHARGER FSD C592001-0203 -----							4	
	C592001-0203	WICK ASSY-STATIC DISCHARGE -----							4	
	C592001-0204	WICK-STATIC DISCHARGE -----							1	
	C592001-0205	BASE-STATIC DISCHARGE WICK -----							1	
-65	1570102-1	STRAP ASSEMBLY-BONDING -----							2	
		ATTACHING PARTS								
-66	AN515-8R6	SCREW -----							2	
-67	MS21044N08	NUT -----							2	
		*-----								
		A---182 SERIAL 18262466 & ON F182 SERIAL F18200001 THRU F18200169 T182 SERIAL 18267716 & ON B---182 SERIAL 18262466 THRU 18264295 C---182 SERIAL 18264296 THRU 18268383 F182 SERIAL F18200001 THRU F18200169 T182 SERIAL 18267716 THRU 18268383 D---182 & T182 SERIAL 18268384 & ON								

# 182 & T182 Parts Catalog

## Fuselage



Detail **A**

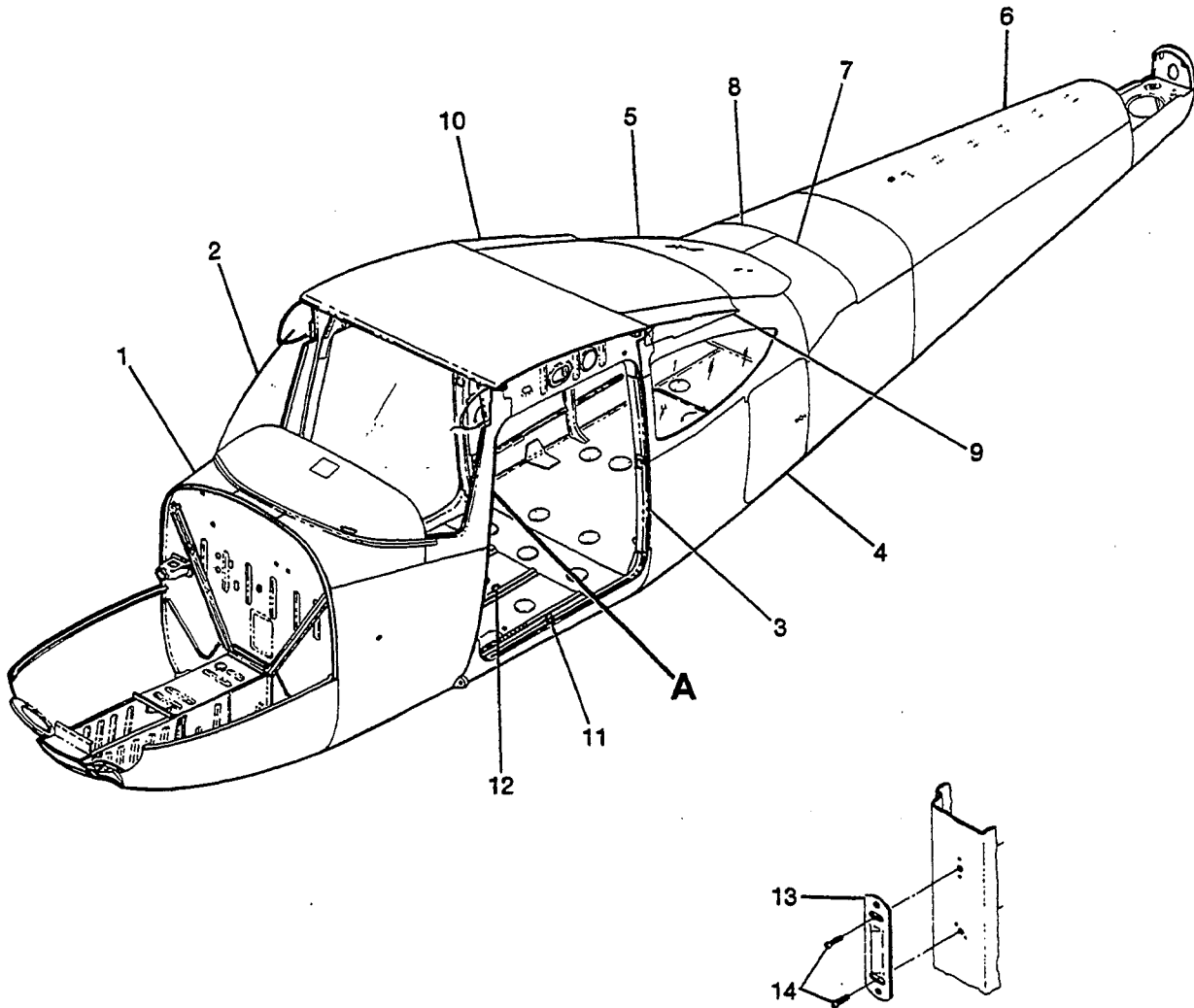
**182 SERIAL 18262466 & ON**  
**F182 SERIAL F1820001 THRU F18200169**  
Figure 26. Fuselage Assembly

# 182 & T182 Parts Catalog

FIGURE AND INDEX NO.	PART NUMBER	DESCRIPTION	UNITS PER ASSY	USABLE ON
				CODE
		1 2 3 4 5 6 7		
26 -		FUSELAGE ASSY -----	NP	E
- 1	SEE FIG 28	FUSELAGE STRUCTURE ASSY-FORWARD -----	1	
- 2	SEE FIG 146	VALVE ASSY-WARM AIR -----	1	
- 3	SEE FIG 46	WINDSHIELD INSTALLATION -----	1	
- 4	SEE FIG 40	CENTER CABIN SECTION ASSY -----	1	
- 5	SEE FIG 83	BAGGAGE DOOR INSTALLATION -----	1	
- 6	SEE FIG 48	WINDOW INSTALLATION-REAR -----	1	
- 7	SEE FIG 50	TAILCONE ASSY-FUSELAGE -----	1	
- 8	0711800-7	SKIN-UPPER AFT LH -----	1	
	0711800-21	SKIN-UPPER AFT LH -----	1	
- 9	0711800-8	SKIN-UPPER AFT RH -----	1	
	0711800-22	SKIN-UPPER AFT RH -----	1	
-10	0711685-1	FILLET ASSY-WING TO FUSELAGE LH -----	1	
	0711685-13	FILLET ASSY-WING TO FUSELAGE LH -----	1	
-11	0711685-2	FILLET ASSY-WING TO FUSELAGE RH -----	1	
	0711685-14	FILLET ASSY-WING TO FUSELAGE RH -----	1	
-12	0510205-6	FITTING-SEAT BELT INBD RH & OUTBD LH -----	2	
-13	0510205-5	FITTING-SEAT BELT INBD LH & OUTBD RH -----	2	
		ATTACHING PARTS -----		
	AN3-4A	BOLT -----	2	
	MS21044N3	NUT -----	2	
		*-----		
	0713047	PLATE-FINISH & TRIM -----	1	
-14	0710638-1	WEDGE-CABIN DOOR -----	2	
		ATTACHING PARTS -----		
-15	AN515-6R6	SCREW -----	2	
		*-----		
-16		NAMEPLATE-AIRCRAFT IDENTIFICATION -----	NP	
		A---182 SERIAL 18262466 THRU 18265965 F182 SERIAL F18200001 THRU F18200064		
		B---182 SERIAL 18265966 & ON F182 SERIAL F18200065 THRU F18200169		
		C---182 SERIAL 18262466 THRU 18267300 F182 SERIAL F18200001 THRU F18200129		
		D---182 SERIAL 18267301 & ON F182 SERIAL F18200130 THRU F18200169		
		E---182 SERIAL 18262466 & ON F182 SERIAL F18200001 THRU F18200169		

# 182 & T182 Parts Catalog

Fuselage (Cont)



Detail A

**T182 SERIAL 18267716 & ON**

Figure 27. Fuselage Assembly

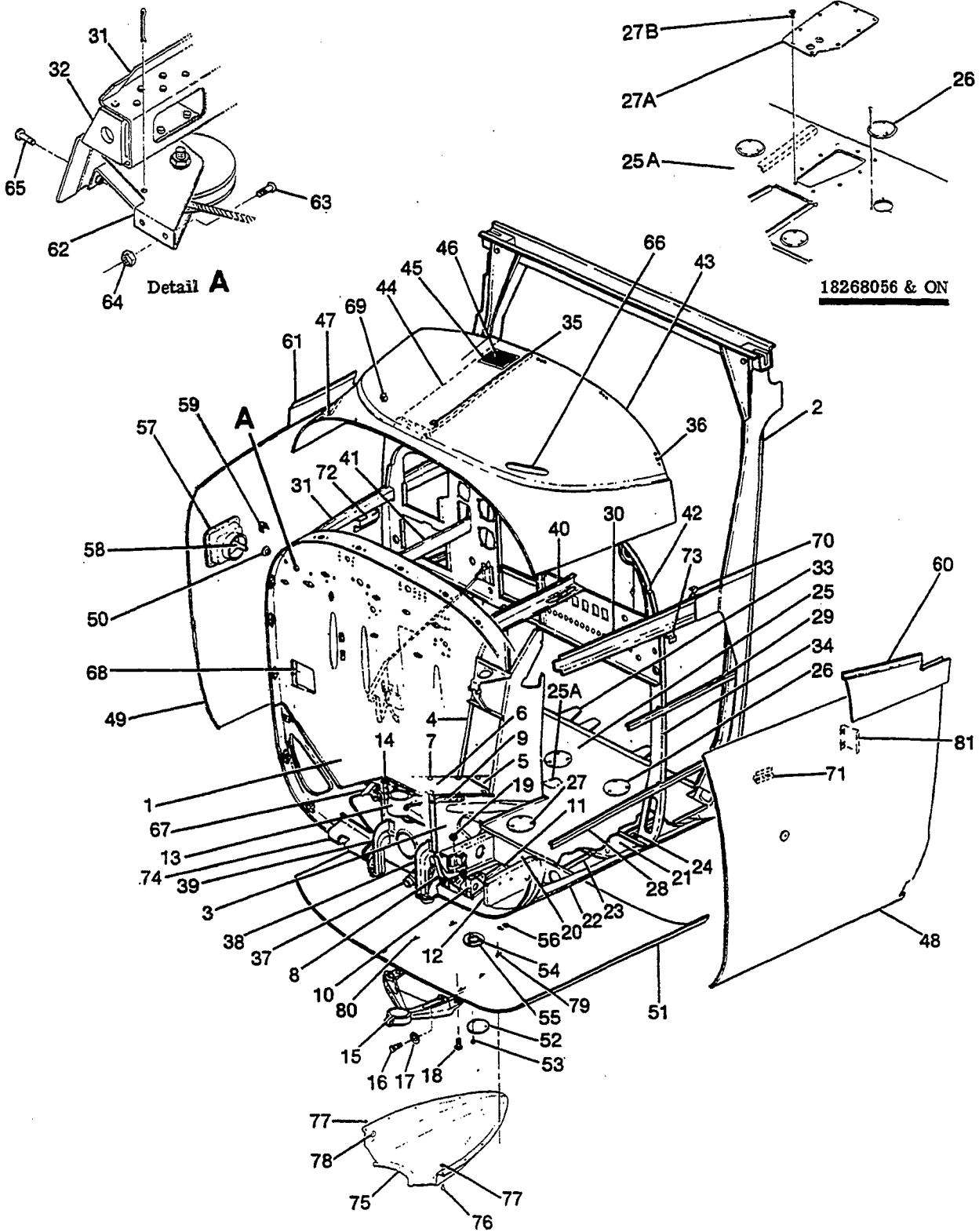


# 182 & T182 Parts Catalog

FIGURE AND INDEX NO.	PART NUMBER	DESCRIPTION							UNITS PER ASSY	USABLE ON CODE
		1	2	3	4	5	6	7		
27 -		FUSELAGE ASSEMBLY -----							NP	A
- 1	SEE FIG 29	FUSELAGE STRUCTURE ASSY-FORWARD -----							1	
- 2	SEE FIG 47	WINDSHIELD INSTALLATION -----							1	
- 3	SEE FIG 41	CENTER CABIN SECTION ASSEMBLY -----							1	
- 4	SEE FIG 83	BAGGAGE DOOR INSTALLATION -----							1	
- 5	SEE FIG 49	AFT CABIN WINDOWS INSTALLATION -----							1	
- 6	SEE FIG 51	TAILCONE ASSY-FUSELAGE -----							1	
- 7	0711800-21	SKIN-UPPER AFT LH -----							1	
- 8	0711800-22	SKIN-UPPER AFT RH -----							1	
- 9	0711685-13	FILLET ASSY-WING TO FUSELAGE LH -----							1	
-10	0711685-14	FILLET ASSY-WING TO FUSELAGE RH -----							1	
-11	0510205-6	FITTING-SEAT BELT RH INBD & LH OUTBD -----							2	
-12	0510205-5	FITTING-SEAT BELT LH INBD & RH OUTBD -----							2	
		ATTACHING PARTS -----								
	AN3-4A	BOLT -----							2	
	MS21044N3	NUT -----							2	
		*-----								
-13	0710638-1	WEDGE-CABIN DOOR -----							2	
		ATTACHING PARTS -----								
-14	AN515-6R6	SCREW -----							2	
		*-----								
A---T182 SERIAL 18267716 & ON										

# 182 & T182 Parts Catalog

Fuselage (Cont)



**182 SERIAL 18262466 & ON**  
**F182 SERIAL F18200001 THRU F18200169**

Figure 28. Forward Fuselage Structure Assembly

# 182 & T182 Parts Catalog

FIGURE AND INDEX NO.	PART NUMBER	DESCRIPTION	1 2 3 4 5 6 7							UNITS PER ASSY	USABLE ON CODE	
			1	2	3	4	5	6	7			
28 -	0713334-10	FORWARD FUSELAGE STRUCTURE ASSEMBLY -----								1	A B C G H J P	
	0713334-11	FORWARD FUSELAGE STRUCTURE ASSEMBLY -----								1		
	0713334-12	FORWARD FUSELAGE STRUCTURE ASSEMBLY -----								1		
	0713334-13	FORWARD FUSELAGE STRUCTURE ASSEMBLY -----								1		
	0713334-14	FORWARD FUSELAGE STRUCTURE ASSEMBLY -----								1		
	0713334-15	FORWARD FUSELAGE STRUCTURE ASSEMBLY -----								1		
	0713334-16	FORWARD FUSELAGE STRUCTURE ASSEMBLY -----								1		
	- 1	SEE FIG 36	FIREWALL ASSEMBLY -----									1
	- 2	SEE FIG 31	BULKHEAD ASSEMBLY-FRONT DOOR POST -----									1
	- 3	SEE FIG 35	TUNNEL COMPONENTS-FRONT SECTION -----									1
	- 4	SEE FIG 33	STRUCTURE ASSEMBLY-CONSOLE -----									1
	- 5	0713676-2	COVER PLATE-TUNNEL AFT -----									1
	- 6	0713676-1	COVER PLATE-TUNNEL FWD -----									1
	- 7	S102178-8	SCREW -----									10
		NAS395-13-3	NUT -----									10
	- 8	0713632-5	FITTING-FIREWALL TO TUNNEL LH -----									1
		0713632-6	FITTING-FIREWALL TO TUNNEL RH -----								1	
	- 9	0713638-1	FITTING-UPPER NOSE GEAR REINFORCEMENT LH -----								1	
		0713638-2	FITTING-UPPER NOSE GEAR REINFORCEMENT RH -----								1	
	-10	0713663-5	PULLEY BRACKET-ELEVATOR LH -----								1	K L L K
		2213063-1	PULLEY BRACKET-ELEVATOR LH -----								1	
		2213063-2	PULLEY BRACKET-ELEVATOR RH -----								1	
		0713663-6	PULLEY-BRACKET-ELEVATOR RH -----								1	
		NAS220-6	ATTACHING PARTS								3	
		MS21044N08	SCREW -----								1	
			NUT -----								1	
			-----*									
		NAS682A08	NUTPLATE -----								2	
-11	0713682-1	CHANNEL-REINFORCEMENT LH -----								1		
	0713682-2	CHANNEL-REINFORCEMENT RH -----								1		
-12	0713603-1	BULKHEAD ASSEMBLY-LH -----								1		
	0713603-2	BULKHEAD ASSEMBLY-RH -----								1		
-13	0543013-1	FITTING-NOSE GEAR UPPER -----								1		
		ATTACHING PARTS										
-14	NAS144-20	BOLT -----								2		
		-----*										
-15	0743606-2	FITTING-NOSE GEAR LOWER -----								1		
		ATTACHING PARTS										
-16	AN5-6A	BOLT -----								2		
-17	AN960-516	WASHER -----								2		
-18	AN175-7A	BOLT -----								2		
-19	MS21042L5	NUT -----								4		
		-----*										
-20	0713614-1	BULKHEAD-STA 8.125 LH -----								1		
	0713614-4	BULKHEAD STA 8.125 RH -----								1		
-21	0713617-2	BULKHEAD STA 17.00 -----								1		
	0713617-7	BULKHEAD STA 17.00 -----								1		
-22	0713615-1	STRINGER ASSEMBLY-ENGINE MOUNT LOWER LH -----								1	R P	
	1213008-5	BRACKET -----								1		
	0713615-2	STRINGER ASSEMBLY-ENGINE MOUNT LOWER RH -----								1		
	1213008-5	BRACKET -----								1		
-23	0713685-1	STIFFENER-LH -----								1		
	0713685-2	STIFFENER-RH -----								1		
-24	0713619-1	STRINGER-BELLY LH -----								1		
	0713619-2	STRINGER-BELLY RH -----								1		
	0713619-3	STRINGER-BELLY RH -----								1		
-25	0713668-4	FLOORBOARD ASSEMBLY WEU 0713668-8 -----								1	M N M O P	
	0713668-8	FLOORBOARD ASSEMBLY -----								1		
-25A	0713668-13	FLOORBOARD ASSEMBLY -----								1		
	NAS395-14-3	NUT -----								6		
-25B	0762042-1	BRACKET-PULLEY -----								1		
-26	S225-1	COVER -----								5	R P	
	S225-1	COVER -----								4		
		ATTACHING PARTS										
-27	S1878-1	STUD UC -----								3		
		-----*										
-27A	2213114-1	COVER -----								1	P	
		ATTACHING PARTS										
-27B	AN525-832R6	SCREW -----								9	P	
		-----*										
-28	0713670-1	STRINGER-LOWER LH -----								1	D E D E	
	2213080-1	STRINGER-LOWER LH -----								1		
	0762007-2	STRINGER-LOWER RH -----								1		
	2213080-2	STRINGER-LOWER RH -----								1		

CONTINUED ON NEXT PAGE

# 182 & T182 Parts Catalog

FIGURE AND INDEX NO.	PART NUMBER	DESCRIPTION							UNITS PER ASSY	USABLE ON CODE
		1	2	3	4	5	6	7		
28 -29	0713639-1 2213079-1	STRINGER-UPPER LH -----							1 1	D E
	0713639-2 2213079-2	STIFFENER-UPPER LH ----- STRINGER-UPPER RH -----							1 1	
-30	0713263-1	STIFFENER-UPPER RH -----							1	E
	0713263-5	STRINGER ASSEMBLY-ENGINE MOUNT UPPER LH -----							1	
-31	0713263-2	BRACKET -----							1	S T T
-32	0713263-6	STRINGER ASSEMBLY-ENGINE MOUNT UPPER RH -----							1	
-33	0713684-2	BRACKET -----							1	
-34	0713787-4	DOUBLER-BELLY -----							1	S T T
	0713787-7	BULKHEAD-STA 17.00 LH -----							1	
	0713787-5	BULKHEAD-STA 17.00 LH -----							1	
	S1291-10	BULKHEAD-STA 17.00 RH -----							1	
	S1291-12	GROMMET -----							1	T
	1213412-11	GROMMET -----							1	
-35	S2432-1	SUPPORT -----							2	
-36	NAS697A08	BRACKET-ANGLE -----							1	6
-37	0713666-1	NUTPLATE -----							1	
-38	0753027-1	BOOT ASSEMBLY-STEERING -----							1	1
-39	0753027-2	SHOCKMOUNT ASSEMBLY-LH -----							1	
-40	0760691-1	SHOCKMOUNT ASSEMBLY-RH -----							1	
-41	0760691-2	SUPPORT ASSEMBLY-CONTROL WHEEL LH -----							1	1
		SUPPORT ASSEMBLY-CONTROL WHEEL RH -----							1	
	NAS220-6	ATTACHING PARTS								2
	MS21044N08	SCREW LH ONLY -----							2	
	NAS220-6	NUT LH ONLY -----							2	4
	MS21044N08	SCREW RH ONLY -----							4	
		NUT RH ONLY -----							4	
-42		-----*								1
-43	0713334-6	PANEL ASSY-STATIONARY SEE INSTRUMENT PANEL STRUCT ASSY --							1	
-44	0713935-2	SKIN-DECK -----							1	3
	S1741-1	DOUBLER ASSEMBLY -----							1	
-45	NAS680A08	ANCHOR -----							1	F
-46	1213929-1	NUTPLATE -----							3	
-47	0713847-11	LOUVER -----							1	P
	0713296-1	GRILL -----							1	
	2270037-1	SUPPORT ASSEMBLY-HEAT SINK -----							1	P
		PLATE ASSY-HEAT SINK -----							1	
		ATTACHING PARTS								4
		SCREW -----							4	
		-----*								3
-48	NAS682A3	NUTPLATE -----							3	
-49	NAS680A3	NUTPLATE -----							1	U
-50	0713334-3	SKIN-FORWARD LH -----							1	
-51	0713334-4	SKIN-FORWARD RH -----							1	V
-52	0713334-18	SKIN-FORWARD RH -----							1	
-53	S1776-5	BUTTON-STATIC LINE -----							1	
-54	0713334-5	SKIN-FORWARD BELLY -----							1	
-55	0713626-1	BRACKET -----							1	1
-56	S225-3	PLATE-ACCESS -----							1	
-57	S102178-6	ATTACHING PARTS								3
-58	NAS395-14-3	SCREW -----							3	
-59		NUT -----							3	
-60	0713661-1	-----*								1
-61	S1702-1	DOUBLER-ACCESS OPENING -----							1	
-62	0416003-1	PLUG BUTTON -----							1	W
-63	0713139-1	GUIDE-FUEL DRAIN -----							1	
-64	0713135-2	INLET ASSEMBLY-AIR VENT -----							1	X
-65	0713140-1	DOOR ASSEMBLY-AIR VENT -----							1	
-66	0450286-3	SEAL-AIR VENT INLET -----							1	
-67	0713334-7	CLIP -----							1	D
-68	0713334-8	SKIN-RETAINER LH -----							1	
-69	0760105-5	SKIN-RETAINER RH -----							1	
-70	0760105-6	BRACKET ASSEMBLY-AILERON PULLEY LH -----							1	
-71		BRACKET ASSEMBLY-AILERON PULLEY RH -----							1	
-72		ATTACHING PARTS								2
-73	NAS221-6	SCREW -----							2	
-74	MS21044N3	NUT -----							2	
-75	AN507-832R6	SCREW -----							4	
-76	NAS683A08	-----*								4
-77	0713952-1	NUTPLATE -----							4	
-78	1250116-1	NOZZLE ASSEMBLY -----							1	1
-79	1250115-3	VALVE ASSEMBLY -----							1	
-80	0713757-1	LEVER ASSEMBLY -----							1	
-81		BRACKET-FUEL STRAINER -----							1	

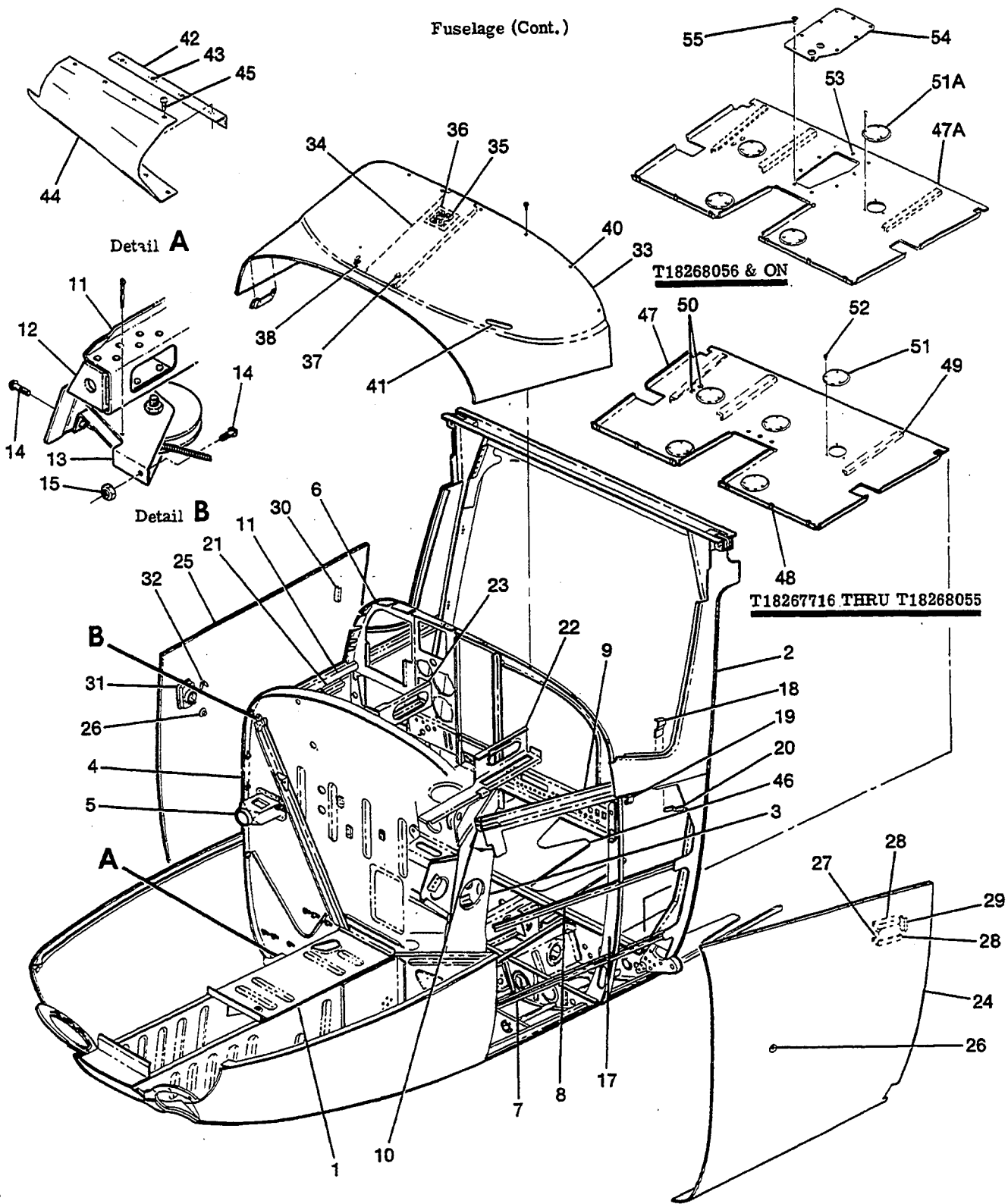
CONTINUED ON NEXT PAGE

# 182 & T182 Parts Catalog

FIGURE AND INDEX NO.	PART NUMBER	DESCRIPTION							UNITS PER ASSY	USABLE ON CODE
		1	2	3	4	5	6	7		
28 -68	0753601-16	DUCT ASSEMBLY-HEATER -----							1	
-69	S1742-1	STA-STRAP -----							10	
-70	0713288-3	BRACKET-DOORPOST SHIELD LH -----							1	
	0713288-4	BRACKET-DOORPOST SHIELD RH -----							1	
-71	1213718-1	BRACKET ASSEMBLY-FILTER -----							1	
-72	0713943-2	GUARD-WIRE BUNDLE -----							1	
-73	0713944-1	CABLE GUARD -----							2	
-74	0753028-2	BAFFLE-COWL FLAP EXIT RH -----							1	
	0753028-1	BAFFLE-COWL FLAP EXIT LH -----							1	
-75	0713335-1	FAIRING ASSEMBLY-NOSE GEAR AFT -----							1	
		ATTACHING PARTS								
-76	AN525-832RB	SCREW -----							9	
-77	AN960-10L	WASHER -----							2	
		GROMMET -----							1	
-78	MS35489-6S	NUTPLATE -----							1	
-79	NAS696A08	NUTPLATE -----							1	
-80	NAS697A08	NUTPLATE -----							6	
-81	2215035-4	BRACKET ASSY 1 RH & 1 LH -----							2	N
<p>A---182 SERIAL 18262466 THRU 18264295</p> <p>B---182 SERIAL 18264296 THRU 18265175 F182 SERIAL F18200001 THRU F18200025</p> <p>C---182 SERIAL 18265176 THRU 18265965 F182 SERIAL F18200026 THRU F18200064</p> <p>D---182 SERIAL 18262466 THRU 18265965 F182 SERIAL F18200001 THRU F18200064</p> <p>E---182 SERIAL 18265966 &amp; ON F182 SERIAL F18200065 THRU F18200169</p> <p>F---182 SERIAL 18262466 THRU 18267300 F182 SERIAL F18200001 THRU F18200129</p> <p>G---182 SERIAL 18265966 THRU 18266590 F182 SERIAL F18200065 THRU F18200094</p> <p>H---182 SERIAL 18266591 THRU 18267300 F182 SERIAL F18200094 THRU F18200129</p> <p>J---182 SERIAL 18267301 THRU 18268055 F182 SERIAL F18200130 THRU F18200169</p> <p>K---182 SERIAL 18262466 THRU 18267458 F182 SERIAL F18200001 THRU F18200159</p> <p>L---182 SERIAL 18267459 &amp; ON F182 SERIAL F18200160 THRU F18200169</p> <p>M---182 SERIAL 18262466 THRU 18267715 F182 SERIAL F18200001 THRU F18200169</p> <p>N---182 SERIAL 18267716 &amp; ON</p> <p>P---182 SERIAL 18268056 &amp; ON</p> <p>Q---182 SERIAL 18267716 THRU 18268055</p> <p>R---182 SERIAL 18262466 THRU 18268055 F182 SERIAL F18200001 THRU F18200169</p> <p>S---182 SERIAL 18262466 THRU 18268049 F182 SERIAL F18200001 THRU F18200169</p> <p>T---181 SERIAL 18268050 &amp; ON</p> <p>U---182 SERIAL 18262466 THRU 18268293</p> <p>V---182 SERIAL 18268294 &amp; ON</p> <p>W---182 SERIAL 18262466 THRU 18268434</p> <p>X---182 SERIAL 18268435 &amp; ON</p>										

# 182 & T182 Parts Catalog

Fuselage (Cont.)



**T182 SERIAL 18267716 & ON**

Figure 29. Forward Fuselage Structure Assembly

# 182 & T182 Parts Catalog

FIGURE AND INDEX NO.	PART NUMBER	DESCRIPTION							UNITS PER ASSY	USABLE ON CODE
		1	2	3	4	5	6	7		
29 -		FORWARD FUSELAGE STRUCTURE ASSEMBLY -----							NP	A
- 1	SEE FIG 30	LWR FWD FUSELAGE STRUCTURE -----							1	
- 2	SEE FIG 32	FWD DOORPOST BULKHEAD ASSY -----							1	
- 3	SEE FIG 34	CONSOLE STRUCTURE ASSY -----							1	
- 4	SEE FIG 37	FIREWALL INSTALLATION -----							1	
- 5	SEE FIG 146	VALVE ASSY-WARM AIR -----							1	
- 6	SEE FIG 104	STATIONARY INSTRUMENT PANEL STRUCTURE ASSY -----							1	
- 7	2213080-1	STRINGER-LOWER LH -----							1	
	2213080-2	STRINGER-LOWER RH -----							1	
- 8	2213079-1	STIFFENER-UPPER LH -----							1	
	2213079-2	STIFFENER-UPPER RH -----							1	
- 9	0713263-1	STRINGER ASSY-UPPER ENGINE MOUNT LH -----							1	
-10	0713263-5	BRACKET-ENGINE MOUNT -----							1	
-11	0713263-2	STRINGER ASSY-UPPER ENGINE MOUNT RH -----							1	
-12	0713263-6	BRACKET-ENGINE MOUNT -----							1	
-13	0760105-6	BRACKET ASSY-AILERON PULLEY RH -----							1	
	0760105-5	BRACKET ASSY-AILERON PULLEY LH -----							1	
		ATTACHING PARTS								
-14	NAS221-6	SCREW -----							2	
-15	MS21044N3	NUT -----							2	
-16	AN507-832R6	SCREW -----							4	
		-----*								
	NAS696A08	NUTPLATE -----							4	
-17	0713787-4	BULKHEAD-STA 17.00 LH -----							1	D E E
	0713787-7	BULKHEAD-STA 17.00 LH -----							1	
	0713787-5	BULKHEAD-STA 17.00 RH -----							1	
	S1291-10	GROMMET -----							1	
	S1291-12	GROMMET -----							1	
-18	0713288-3	BRACKET-DOORPOST SHIELD LH -----							1	
	0713288-4	BRACKET-DOORPOST SHIELD RH -----							1	
-19	0713944-1	CABLE GUARD -----							2	
-20	0713725-2	CLAMP ASSY-ELECTRIC CABLE -----							2	
	S292-12	SLEEVING-2.00 IN LG BKI REF S292-12-2.00 -----							1	
-21	0713943-2	GUARD-WIRE BUNDLE -----							1	
-22	0760691-1	SUPPORT ASSY-CONTROL WHEEL LH -----							1	
-23	0760691-2	SUPPORT ASSY-CONTROL WHEEL RH -----							1	
		ATTACHING PARTS								
	NAS220-6	SCREW LH ONLY -----							2	
	MS21044N08	NUT LH ONLY -----							2	
	NAS220-6	SCREW RH ONLY -----							4	
	MS21044N08	NUT RH ONLY -----							4	
		-----*								
-24	2213000-5	SKIN-FWD LH -----							1	F G F G F G
-25	2213000-6	SKIN-FWD RH -----							1	
	2213000-12	SKIN-FWD RH -----							1	
-26	S1776-5	BUTTON-STATIC LINE -----							2	
-27	2201058-1	BOX-CIRCUIT BREAKER -----							1	
	2201107-1	BOX-CIRCUIT BREAKER -----							1	
-28	2201059-1	BRACKET ASSY -----							2	
	2201059-3	BRACKET ASSY -----							2	
	NAS680A08	NUTPLATE -----							2	
-29	2215035-1	BRACKET ASSY-ARMREST -----							1	
	2215035-6	BRACKET ASSY-ARMREST -----							1	
-30	2215035-4	BRACKET ASSY-ARMREST -----							1	
	NAS682A08	NUTPLATE -----							2	
-31	SEE FIG 144	INLET ASSY-AIR VENT -----							1	
-32	0450286-3	CLIP -----							1	
-33	0713334-6	SKIN-DECK -----							1	
-34	0713935-2	DOUBLER ASSY-COWL DECK SKIN -----							1	
	S1741-1	ANCHOR -----							1	
	NAS680A08	NUTPLATE -----							3	
-35	0713847-11	GRILL -----							1	
	1213929-1	LOUVER -----							1	
-36	0713535-1	RETAINER-DECK SKIN COVER -----							1	
-37	C8566-8Z	BRACKET -----							1	
-38	S1742-1	STA-STRAP -----							6	

CONTINUED ON NEXT PAGE

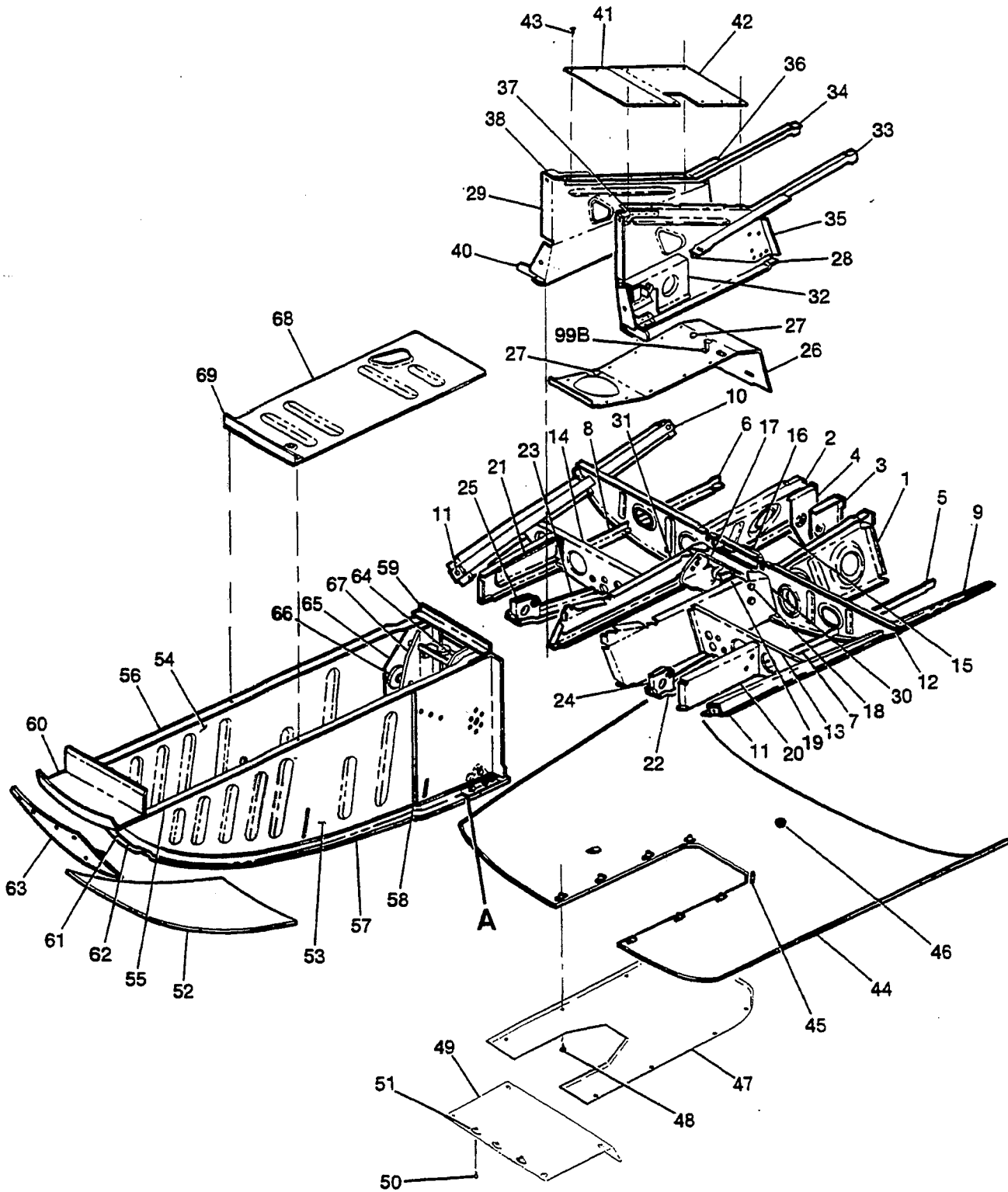
# 182 & T182 Parts Catalog

FIGURE AND INDEX NO.	PART NUMBER	DESCRIPTION	UNITS PER ASSY	USABLE ON CODE
29 -39	0713296-1 NAS682A3 2270037-1	SUPPORT ASSY-HEAT SINK ----- NUTPLATE ----- PLATE ASSY-HEAT SINK ----- ATTACHING PARTS	1 4 1	C
	AN507-1032R7	SCREW ----- *-----	4	C
	NAS682A3 NAS680A3	NUTPLATE ----- NUTPLATE -----	3 1	C C
-40	NAS697A08	NUTPLATE -----	6	
-41	SEE FIG 143	NOZZLE ASSY-DEFROST -----	2	
-42	2252013-2 2252013-1	SUPPORT ASSY-RH COWL EXIT RAMP ----- SUPPORT ASSY-LH COWL EXIT RAMP -----	1 1	
-43	NAS680A08	NUTPLATE -----	4	
-44	2252058-2 2252058-1	RAMP ASSY-RH COWL EXIT ----- RAMP ASSY-LH COWL EXIT ----- ATTACHING PARTS	1 1 1	
-45	NAS220-6	SCREW ----- *-----	4	
-46	0713684-5 2213090-1	DOUBLER ----- GUSSET -----	1 2	
-47	0713668-8	FLOORBOARD ASSY-FWD -----	1	B
-47A	0713668-13	FLOORBOARD ASSY-FWD -----	1	C
-48	NAS395-14-3	NUT -----	6	
-49	0713668-3	STIFFENER -----	3	
-50	S1742-2	CLAMP -----	2	
-51	S225-1	COVER -----	5	B
-51A	S225-1	COVER ----- ATTACHING PARTS	4	C
-52	49330	STUD ----- *-----	3	
-53	NAS680A08	NUTPLATE -----	1	C
-54	2213114-1	COVER-TUNNEL ACCESS ----- ATTACHING PARTS	1	C C
-55	AN525-832R6	SCREW ----- *-----	9	C
<p>A---T182 SERIAL 18267716 &amp; ON            B---T182 SERIAL 18267716 THRU 18268055            C---T182 SERIAL 18268056 &amp; ON            D---T182 SERIAL 18267716 THRU 18268050            E---T182 SERIAL 18268051 &amp; ON            F---T182 SERIAL 18267716 THRU 18268293            G---T182 SERIAL 18268294 &amp; ON</p>				



# 182 & T182 Parts Catalog

Fuselage (Cont)

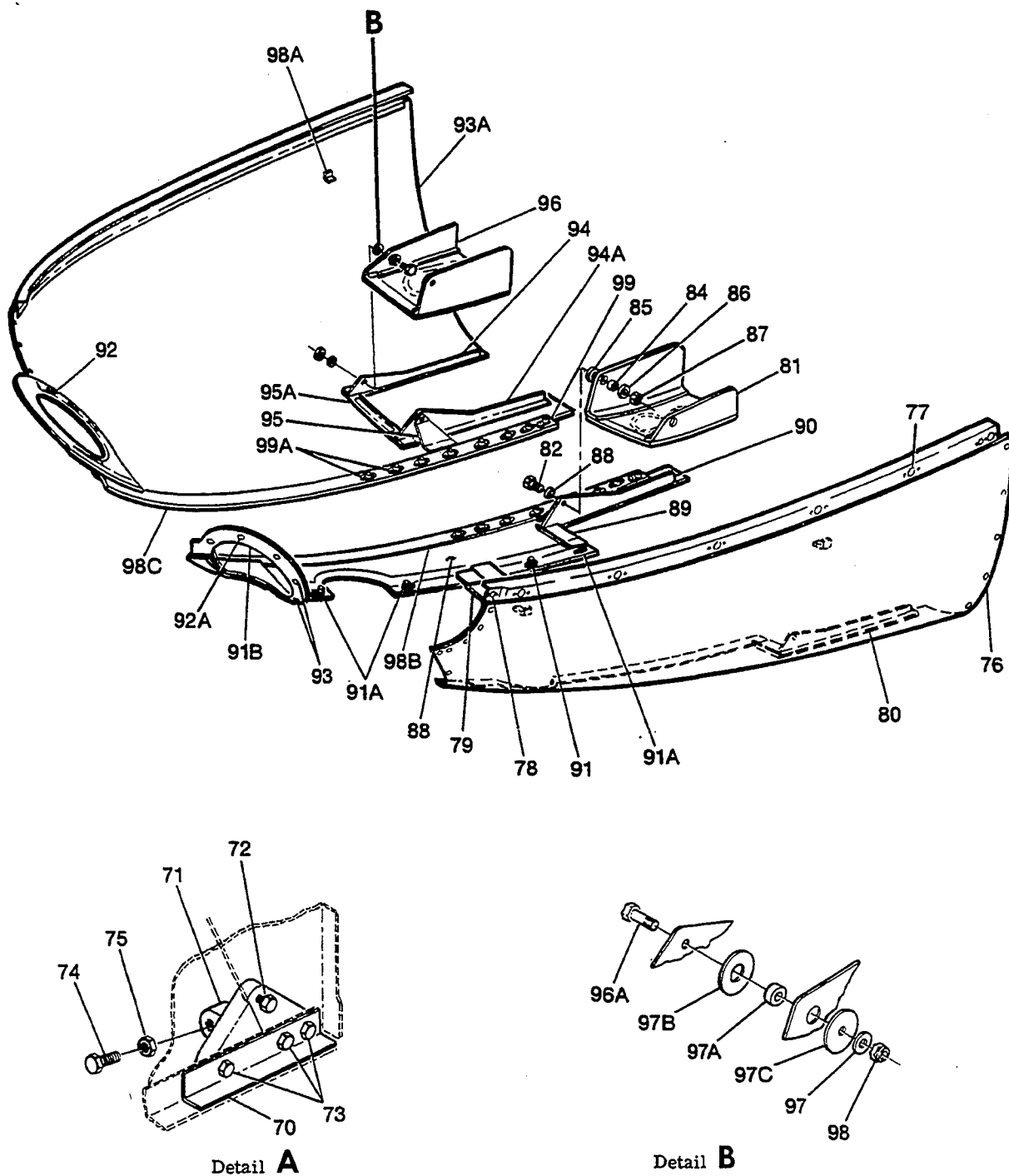


**T182 SERIAL 18267716 & ON**

Figure 30. (Sheet 1 of 2) Lower Forward Fuselage Structure Assembly

# 182 & T182 Parts Catalog

Fuselage (Cont)



**T182 SERIAL 18267716 & ON**

Figure 30. (Sheet 2 of 2) Lower Forward Fuselage Structure Assembly

# 182 & T182 Parts Catalog

FIGURE AND INDEX NO.	PART NUMBER	DESCRIPTION	UNITS PER ASSY							USABLE ON CODE	
			1	2	3	4	5	6	7		
30 -		LOWER FORWARD FUSELAGE STRUCTURE ASSEMBLY -----								NP	A
- 1	0713634-2	BULKHEAD-LH AFT TUNNEL -----								1	
- 2	0713634-6	BULKHEAD-RH AFT TUNNEL -----								1	B
	0713634-8	BULKHEAD-RH AFT TUNNEL -----								1	C
- 3	0760144-1	BRACKET-LH RUDDER PULLEY -----								1	
- 4	0760144-2	BRACKET-RH RUDDER PULLEY -----								1	
- 5	0713619-1	STRINGER-LH -----								1	
- 6	0713619-3	STRINGER-RH -----								1	
- 7	0713685-1	STIFFENER-LH -----								1	
- 8	0713685-2	STIFFENER-RH -----								1	
- 9	0713615-1	STRINGER ASSY-LH ENGINE MOUNT LOWER -----								1	
-10	0713615-2	STRINGER ASSY-RH ENGINE MOUNT LOWER -----								1	
-11	1213008-5	BRACKET -----								1	
-12	0713617-3	BULKHEAD-LOWER STA 17.00 -----								1	B
	0713617-5	BULKHEAD-LOWER STA 17.00 -----								1	C
-13	0713614-1	BULKHEAD-LOWER STA 8.125 -----								1	
-14	0713614-4	BULKHEAD-LOWER STA 8.125 -----								1	
-15	2213040-2	ANGLE-RH -----								1	
	2213040-1	ANGLE-LH -----								1	
-16	2213075-1	BRACKET-FUEL SELECTOR VALVE -----								1	B
	2213100-1	BRACKET-FUEL SELECTOR VALVE -----								1	C
	2213121-1	RUB STRIP ASSY -----								1	C
		ATTACHING PARTS									
	AN515-6R8	SCREW -----								2	C
	MS21044N06	NUT -----								2	C
		*-----									
-17	2243009-1	FITTING-NOSE GEAR DRAG WEU 2243009-4 -----								1	B
	2243009-4	FITTING-NOSE GEAR DRAG -----								1	C
		ATTACHING PARTS									
-18	NAS221-13	BOLT -----								4	
	AN960D10L	WASHER -----								4	
	MS21045L3	NUT -----								4	
		*-----									
-19	2213049-2	BRACKET-ELEVATOR TRIM PULLEY INBOARD -----								1	
	2213049-1	BRACKET-ELEVATOR TRIM PULLEY OUTBOARD -----								1	
-20	0713603-7	BULKHEAD ASSY-LH -----								1	
-21	0713603-2	BULKHEAD ASSY-RH -----								1	
-22	0713682-1	CHANNEL-REINFORCEMENT LH -----								1	
-23	0713682-2	CHANNEL-REINFORCEMENT RH -----								1	
-24	2213063-1	BRACKET ASSY-LH ELEVATOR PULLEY -----								1	
-25	2213063-2	BRACKET ASSY-RH ELEVATOR PULLEY -----								1	
		ATTACHING PARTS									
	NAS220-6	SCREW -----								3	
	MS21045L08	NUT -----								1	
		*-----									
-26	2213034-1	FIREWALL-NOSE GEAR TUNNEL TOP -----								1	
-27	CM2692-14-1S	PLUG BUTTON -----								2	
-28	2213030-1	BULKHEAD ASSY LH-TUNNEL -----								1	
-29	2213030-2	BULKHEAD ASSY RH-TUNNEL -----								1	
-30	2213032-1	FIREWALL-LH NOSE GEAR TUNNEL -----								1	
-31	2213032-2	FIREWALL-RH NOSE GEAR TUNNEL -----								1	
-32	0713628-5	BRACKET ASSY LH-INBD RUDDER PEDAL SUPPORT -----								1	
	0713628-6	BRACKET ASSY RH-INBD RUDDER PEDAL SUPPORT -----								1	
	0713624-2	ANCHOR-BRAKE CYLINDER LH ONLY -----								1	
	NAS686A3	NUTPLATE -----								2	
-33	0713671-7	ANGLE-TUNNEL LH -----								1	B
	0713671-11	ANGLE-TUNNEL LH -----								1	C
-34	0713671-8	ANGLE-TUNNEL RH -----								1	B
	0713671-12	ANGLE-TUNNEL RH -----								1	C
	NAS696A3	NUTPLATE -----								3	
	NAS697A3	NUTPLATE -----								3	
-35	2213074-1	REINFORCEMENT ANGLE LH-TUNNEL BULKHEAD -----								1	
-36	2213074-2	REINFORCEMENT ANGLE RH-TUNNEL BULKHEAD -----								1	
-37	0713638-3	FITTING-UPPER NOSE GEAR REINFORCEMENT LH -----								1	
-38	0713638-4	FITTING-UPPER NOSE GEAR REINFORCEMENT RH -----								1	
		ATTACHING PARTS									
	AN3-7A	BOLT -----								1	
	AN960-416	WASHER -----								1	
	MS21044N3	NUT -----								1	
		*-----									

CONTINUED ON NEXT PAGE

# 182 & T182 Parts Catalog

FIGURE AND INDEX NO.	PART NUMBER	DESCRIPTION	1 2 3 4 5 6 7							UNITS PER ASSY	USABLE ON CODE
30 -39	0713632-7	FITTING-FIREWALL TO TUNNEL LH -----								1	
-40	0713632-8	FITTING-FIREWALL TO TUNNEL RH -----								1	
	NAS221-13	ATTACHING PARTS -----								1	
	AN960-10	BOLT -----								1	
	MS20365-1032C	WASHER -----								1	
		NUT -----								1	
		-----*									
-41	0713676-6	COVER-TUNNEL FWD -----								1	
-42	0713676-7	COVER-TUNNEL AFT -----								1	
		ATTACHING PARTS -----									
-43	AN3-4A	SCREW -----								12	
	AN960D10L	WASHER -----								12	
		-----*									
-44	2213000-2	SKIN-BELLY -----								1	
-45	NAS680A08	NUTPLATE -----								8	
-46	CM2692-52-1S	PLUG BUTTON -----								1	
-47	2213046-1	COVER-NOSE GEAR DRAG LINK ACCESS -----								1	
		ATTACHING PARTS -----									
-48	AN509-8R6	SCREW -----								8	
		-----*									
-49	0713361-1	COVER-ACCESS -----								1	
		ATTACHING PARTS -----									
-50	AN509-8R6	SCREW -----								11	
		-----*									
-51	NAS681A08	NUTPLATE -----								3	
-52	0713349-2	SKIN -----								1	
-53	2213001-3	PANEL LH-NOSE GEAR PANEL WALL -----								1	
-54	2213001-4	PANEL RH-NOSE GEAR PANEL WALL -----								1	
-55	2213067-1	ATTACH ANGLE LH-TUNNEL TOP -----								1	
-56	2213067-2	ATTACH ANGLE RH-TUNNEL TOP -----								1	
-57	2213066-5	ATTACH ANGLE LH-NOSE GEAR TUNNEL -----								1	
	2213066-6	ATTACH ANGLE RH-NOSE GEAR TUNNEL -----								1	
-58	2213004-3	DOUBLER-LH -----								1	
	2213004-4	DOUBLER-RH -----								1	
-59	2213012-2	STIFFENER -----								1	
-60	2213008-4	CHANNEL -----								1	
-61	NAS682A3	NUTPLATE -----								2	
-62	NAS680A3	NUTPLATE -----								2	
-63	2213078-5	PANEL ASSY-NOSE GEAR TUNNEL -----								1	
	0713351-1	STIFFENER -----								1	
	NAS680A3	NUTPLATE -----								4	
-64	2213010-1	SUPPORT ASSY-NOSE GEAR TRUNNION -----								1	
-65	2213010-2	SUPPORT ASSY-NOSE GEAR TRUNNION RH -----								1	
	2213010-5	DOUBLER-LH -----								1	
	2213010-6	DOUBLER-RH -----								1	
-66	2213013-1	DOUBLER -----								2	
-67	2213024-1	BRACKET ASSY-NOSE GEAR STEERING -----								1	
	2213025-1	RETAINER-BEARING -----								1	
	DW4K2	BEARING -----								1	
-68	2213007-3	PANEL-TUNNEL TOP NOSE GEAR -----								1	
-69	2213012-1	STIFFENER -----								1	
-70	2213088-1	ANGLE-LH -----								1	
	2213088-2	ANGLE-RH -----								1	
-71	2213089-1	STOP SUPPORT-LH -----								1	
	2213089-2	STOP SUPPORT-RH -----								1	
		ATTACHING PARTS -----									
-72	AN3-6A	BOLT -----								1	
	MS20365-1032C	NUT -----								1	
-73	AN3-7A	BOLT -----								3	
	MS20365-1032C	NUT -----								3	
		-----*									
-74	NAS428-4-11	BOLT -----								2	
-75	AN316-4	NUT -----								2	
-76	2252056-1	COWL ASSY-LOWER LH REMOVABLE -----								1	
-77	244-16	RECEPTACLE -----								5	
-78	NAS697A3	NUTPLATE -----								1	
-79	2252070-1	COWL BAFFLE ASSY -----								2	
-80	2252010-13	SUPPORT-COWL FLAP -----								1	

CONTINUED ON NEXT PAGE

# 182 & T182 Parts Catalog

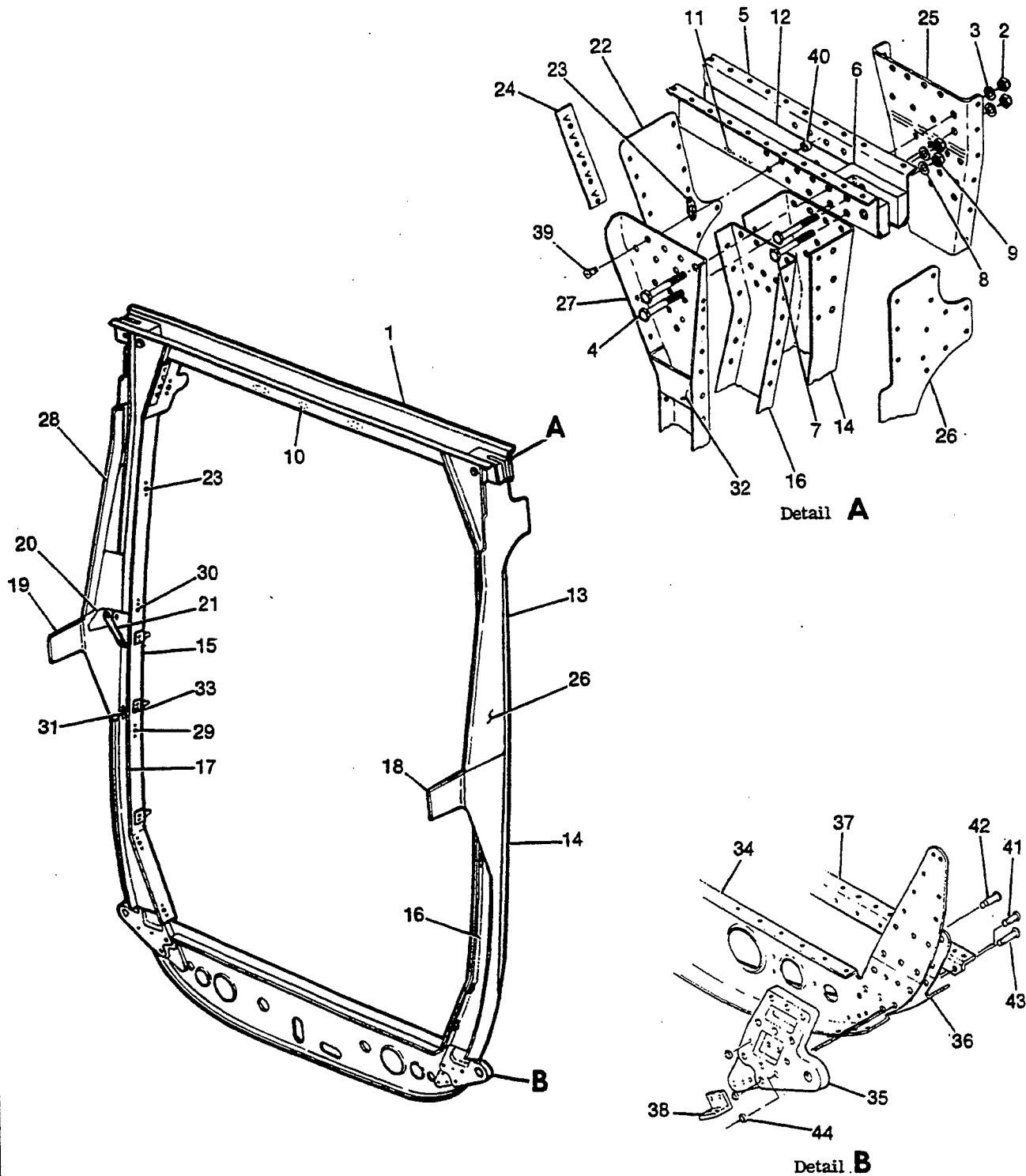
FIGURE AND INDEX NO.	PART NUMBER	DESCRIPTION	UNITS PER ASSY	USABLE ON CODE
		1 2 3 4 5 6 7		
30 -81	2252059-13	COWL FLAP ASSY-LH ----- ATTACHING PARTS -----	1	
-82	AN3-5A	BOLT -----	2	
-83	AN960-10	WASHER -----	2	
-84	NAS75A3-002P	BUSHING -----	2	
-85	S1450-5-14-063	WASHER -----	2	
-86	S1450-3-14-063	WASHER -----	2	
-87	MS20364-1032C	NUT -----	2	
		*-----		
	0752623-1	BRACKET ASSY-COWL FLAP -----	1	
	S2087-1	SHOCK MOUNT -----	1	
-88	2252057-9	LWR INBD COWL ASSY-LH -----	1	
-89	2252057-5	STIFFENER -----	1	
-90	2252010-15	SUPPORT ASSY-INBD -----	1	
	2252044-1	BRACKET -----	1	
-91	NAS680A3	NUTPLATE -----	2	
-91A	NAS682A3	NUTPLATE -----	3	
-91B	2252050-19	DOUBLER ASSY-LANDING LIGHT LH -----	1	
	2252050-20	DOUBLER ASSY-LANDING LIGHT RH -----	1	
-92	NAS686A3	NUTPLATE -----	7	
-92A	NAS683A3	NUTPLATE LH ONLY -----	1	
	NAS1067A3	NUTPLATE -----	1	
	NAS696A3	NUTPLATE RH ONLY -----	1	
-93	NAS681A3	NUTPLATE LH ONLY -----	2	
-93A	2252019-34	COWL ASSY-LWR RH -----	1	
-94	2252010-14	SUPPORT-COWL FLAP RH OUTBD -----	1	
-94A	2252010-16	SUPPORT ASSY-COWL FLAP RH INBD -----	1	
-95	2252044-2	BRACKET -----	1	
-95A	2252054-4	DOUBLER -----	1	
-96	2252059-14	COWL FLAP ASSY-RH ----- ATTACHING PARTS -----	1	
-96A	AN3-5	BOLT -----	2	
-97	AN960-10	WASHER -----	4	
-97A	NAS74A3-002P	WASHER -----	2	
-97B	S1450-6-14-063	WASHER -----	2	
-97C	S1450-3-14-063	WASHER -----	2	
-98	MS20364-1032C	NUT -----	2	
		*-----		
	0752623-1	BRACKET ASSY-COWL FLAP -----	1	
	S2087-1	SHOCK MOUNT -----	1	
-98A	2250138-1	BRACKET-OIL COOLER SUPPORT RH ONLY -----	1	
-98B	0713353-1	SPLICE STRIP ASSY-LH -----	1	
-98C	0713353-2	SPLICE STRIP ASSY-RH -----	1	
-99	NAS683A08	NUTPLATE -----	1	
-99A	NAS681A08	NUTPLATE -----	7	
	NAS681A08	NUTPLATE -----	6	
-99B	2213101-1	SHIELD ASSY-FLEX SHAFT RUDDER TRIM -----	1	

B  
B  
C  
C

A---T182 SERIAL 18267716 & ON  
 B---T182 SERIAL 18267716 THRU 18268055  
 C---T182 SERIAL 18268056 & ON

# 182 & T182 Parts Catalog

Fuselage (Cont)



182 SERIAL 18262466 THRU 18265965  
F182 SERIAL F18200001 THRU F18200064

Figure 31. Front Doorpost Bulkhead Assembly

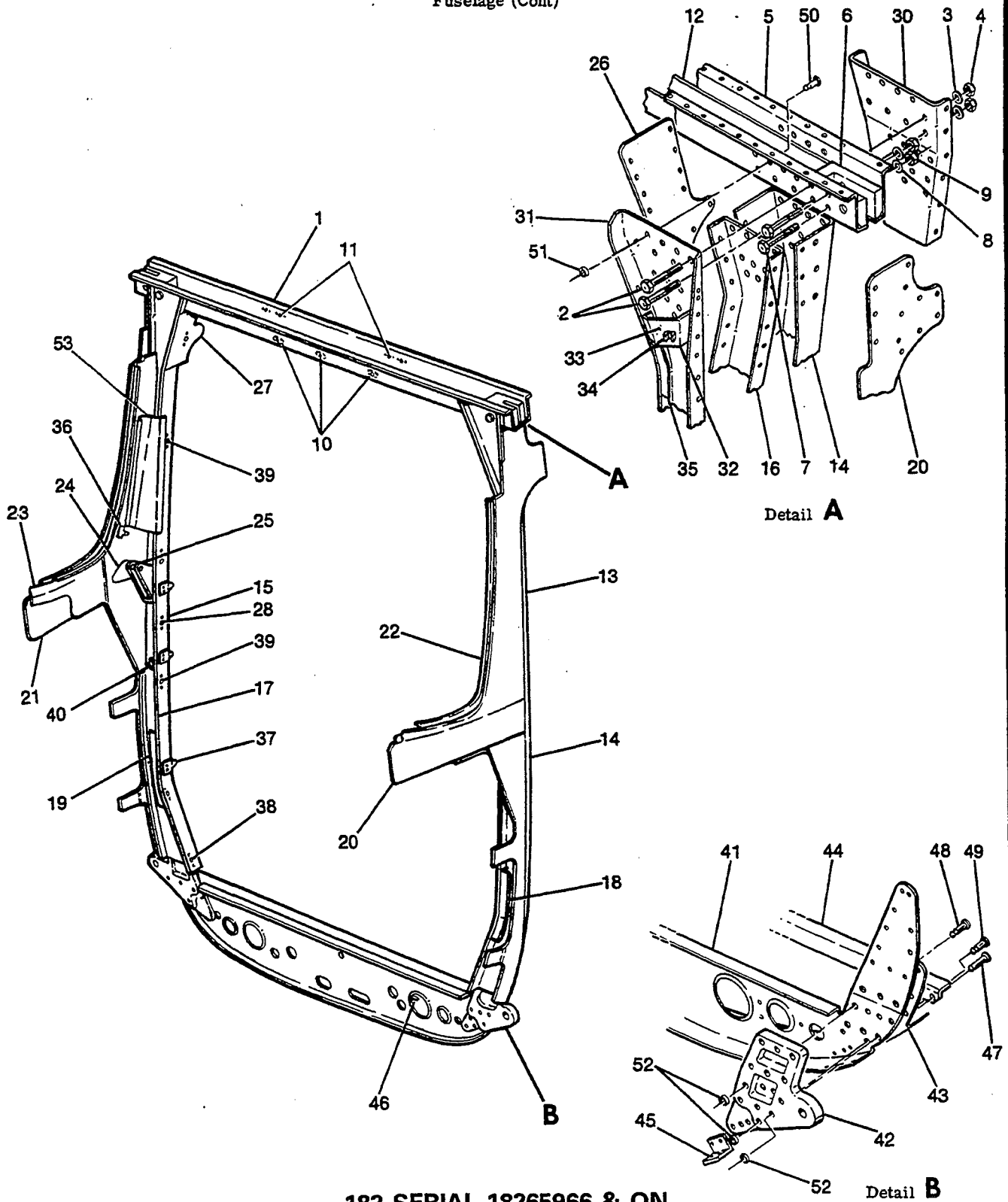
# 182 & T182 Parts Catalog

FIGURE AND INDEX NO.	PART NUMBER	DESCRIPTION							UNITS PER ASSY	USABLE ON CODE
		1	2	3	4	5	6	7		
31 -	0713604-15	BULKHEAD ASSEMBLY-FRONT DOORPOST -----							1	A
- 1	0711066-6	SPAR ASSEMBLY-FORWARD FUSELAGE -----							1	
		ATTACHING PARTS -----								
- 2	MS21044N3	NUT -----							4	
- 3	AN960D10	WASHER -----							4	
- 4	AN3-21A	BOLT -----							4	
		*-----								
- 5	1213127-4	SPAR-FORWARD FUSELAGE -----							1	
- 6	0411129	BLOCK-SPAR -----							2	
		ATTACHING PARTS -----								
- 7	AN3-20A	BOLT -----							2	
- 8	AN960-10	WASHER -----							2	
- 9	MS21044N3	NUT -----							2	
		*-----								
-10	A6191-8Z-3	NUTPLATE -----							3	
-11	NAS686A3	NUTPLATE -----							4	
-12	0711066-2	REINFORCEMENT-SPAR -----							1	
-13	0713604-11	DOORPOST ASSEMBLY-FUSELAGE LH -----							1	
	0713604-12	DOORPOST ASSEMBLY-FUSELAGE RH -----							1	
-14	0713604-5	DOOR JAMB ASSEMBLY-LH -----							1	
-15	0713604-6	DOOR JAMB ASSEMBLY-RH -----							1	
-16	0713604-7	CHANNEL-DOORPOST ASSEMBLY LH -----							1	
-17	0713604-8	CHANNEL-DOORPOST ASSEMBLY RH -----							1	
-18	0713612-1	DOUBLER-FORWARD DOORPOST LH -----							1	
-19	0713612-2	DOUBLER-FORWARD DOORPOST RH -----							1	
-20	1210051-2	SPACER-UPPER DOOR HINGE RH -----							1	
	1210051-1	SPACER-UPPER DOOR HINGE LH -----							1	
-21	0760602-2	BRACKET-PULLEY RH -----							1	
	0760602-1	BRACKET-PULLEY LH -----							1	
		ATTACHING PARTS -----								
	AN525-10R8	SCREW -----							2	
	NAS680A3	NUTPLATE -----							2	
		*-----								
-22	0713633-1	UPPER PLATE-FORWARD DOORPOST LH -----							1	
	0713633-2	UPPER PLATE-FORWARD DOORPOST RH -----							1	
-23	NAS680A3	NUTPLATE -----							4	
-24	1213115-1	HOOK STRIP-UPHOLSTERY LH -----							1	
	1213115-2	HOOK STRIP-UPHOLSTERY RH -----							1	
-25	0713607-1	FLANGE PLATE-AFT LH -----							1	
	0713607-2	FLANGE PLATE-AFT RH -----							1	
-26	0713611-1	RETAINER-OUTER LH -----							1	
	0713611-2	RETAINER-OUTER RH -----							1	
-27	0713606-1	PLATE-FORWARD FLANGE LH -----							1	
	0713606-2	PLATE-FORWARD FLANGE RH -----							1	
-28	0713609-6	RETAINER-INNER FORWARD DOORPOST RH -----							1	
	0713609-5	RETAINER-INNER FORWARD DOORPOST LH -----							1	
-29	S1863-2	NUTPLATE TIN -----							3	
-30	S1862-1	NUTPLATE TIN -----							1	
-31	NAS680A3	NUTPLATE ATTACH DOOR STOP HINGE -----							3	
-32	0713732-5	SHIELD ASSY-CABLE LH -----							1	
	0713732-6	SHIELD ASSY-CABLE RH -----							1	
-33	0700704-1	CLIP-UPHOLSTERY -----							1	
-34	0713608-3	BULKHEAD-FORWARD DOORPOST LOWER -----							1	
-35	0713610-9	FITTING-FORWARD DOORPOST BULKHEAD LH -----							1	
	0713610-10	FITTING-FORWARD DOORPOST BULKHEAD RH -----							1	
-36	0713613-5	BULKHEAD REINFORCEMENT-FWD DOORPOST LH -----							1	
	0713613-6	BULKHEAD REINFORCEMENT-FWD DOORPOST RH -----							1	
-37	0713605-1	REINFORCEMENT-FWD DOORPOST -----							1	
-38	0713683-1	ANGLE-LOWER ENGINE MOUNT LH -----							1	
	0713683-2	ANGLE-LOWER ENGINE MOUNT RH -----							1	
-39	NAS1054-6-5	RIVET-HI SHEAR -----							20	
-40	NAS179-6	COLLAR-HI SHEAR RIVET -----							20	
-41	NAS1054-8-11	RIVET-HI SHEAR -----							2	
-42	NAS1054-8-12	RIVET-HI SHEAR -----							4	
-43	NAS1054-8-13	RIVET-HI SHEAR -----							12	
-44	NAS179-8	COLLAR-HI SHEAR RIVET -----							18	

A---182 SERIAL 18262466 THRU 18265965  
F182 SERIAL F18200001 THRU F18200064

# 182 & T182 Parts Catalog

Fuselage (Cont)



182 SERIAL 18265966 & ON  
 F182 SERIAL F1820065 THRU F18200169  
 T182 SERIAL 18267716 & ON

Figure 32. Front Doorpost Bulkhead Assembly



# 182 & T182 Parts Catalog

FIGURE AND INDEX NO.	PART NUMBER	DESCRIPTION							UNITS PER ASSY	USABLE ON CODE
		1	2	3	4	5	6	7		
32 -	2213083-2	BULKHEAD ASSEMBLY-FRONT DOORPOST -----							1	A H J B K J
	2213083-16	BULKHEAD ASSEMBLY-FRONT DOORPOST -----							1	
	2213083-20	BULKHEAD ASSEMBLY-FRONT DOORPOST -----							1	
- 1	0711066-6	SPAR ASSEMBLY-FORWARD FUSELAGE -----							1	J B K J
	0711066-7	SPAR ASSEMBLY-FORWARD FUSELAGE -----							1	
	0711066-10	SPAR ASSEMBLY-FORWARD FUSELAGE -----							1	
		ATTACHING PARTS								
- 2	AN3-22A	BOLT -----							4	B C
- 3	AN960-10	WASHER -----							8	
- 4	MS20365-1032C	NUT -----							4	
		-----*								
- 5	1213127-4	SPAR-FORWARD FUSELAGE -----							1	B C
	1213127-10	SPAR-FORWARD FUSELAGE -----							1	
- 6	0411129	BLOCK-SPAR -----							2	J A B G F B G F
		ATTACHING PARTS								
- 7	AN3-20A	BOLT -----							2	
- 8	AN960-10	WASHER -----							2	
- 9	MS20365-1032C	NUT -----							2	J A B G F B G F
		-----*								
-10	S1863-3	NUTPLATE -----							3	
-11	NAS686A3	NUTPLATE -----							4	
-12	0711066-2	REINFORCEMENT-SPAR -----							1	J A B G F B G F
	0412496-3	STRIP-FABRIC ATTACHMENT -----							1	
	0713107-1	CLIP-SIDE PANEL -----							2	
-13	2213083-3	DOORPOST ASSEMBLY-FUSELAGE LH WEU 2213083-9 -----							1	
	2213083-9	DOORPOST ASSEMBLY-FUSELAGE LH -----							1	
	2213083-17	DOORPOST ASSEMBLY-FUSELAGE LH -----							1	
	2213083-4	DOORPOST ASSEMBLY-FUSELAGE RH WEU 2213083-10 -----							1	
	2213083-10	DOORPOST ASSEMBLY-FUSELAGE RH -----							1	
	2213083-18	DOORPOST ASSEMBLY-FUSELAGE RH -----							1	
-14	2213083-5	DOOR JAMB ASSEMBLY-FUSELAGE LH -----							1	
-15	2213083-6	DOOR JAMB ASSEMBLY-FUSELAGE RH -----							1	
-16	2213083-7	CHANNEL-DOORPOST ASSEMBLY LH -----							1	
-17	2213083-8	CHANNEL-DOORPOST ASSEMBLY RH -----							1	
-18	2213084-1	STIFFENER ASSEMBLY-FORWARD DOORPOST LH -----							1	
	S1863-2	NUTPLATE -----							1	
-19	2213084-2	STIFFENER ASSEMBLY-FORWARD DOORPOST RH -----							1	
	S1863-2	NUTPLATE -----							1	
-20	2213082-1	OUTER RETAINER-FORWARD DOORPOST LH -----							1	
-21	2213082-2	OUTER RETAINER-FORWARD DOORPOST RH -----							1	
-22	2213081-1	INNER RETAINER-FORWARD DOORPOST LH -----							1	
-23	2213081-2	INNER RETAINER-FORWARD DOORPOST RH -----							1	
-24	1210051-2	SPACER-UPPER DOOR HINGE RH -----							1	
	1210051-1	SPACER-UPPER DOOR HINGE LH -----							1	
-25	0760602-2	BRACKET-PULLEY RH -----							1	
	0760602-1	BRACKET-PULLEY LH -----							1	
		ATTACHING PARTS								
	AN525-10R8	SCREW -----							2	C
	NAS680A3	NUTPLATE -----							2	
		-----*								
-26	0713633-3	UPPER PLATE-FORWARD DOORPOST LH -----							1	
-27	0713633-4	UPPER PLATE-FORWARD DOORPOST RH -----							1	
-28	NAS680A08	NUTPLATE -----							2	
-29		DELETED NOT AVAILABLE -----								
-30	0713607-1	PLATE-AFT FLANGE LH -----							1	
	0713607-2	PLATE-AFT FLANGE RH -----							1	
-31	0713606-1	PLATE-FORWARD FLANGE LH -----							1	
	0713606-2	PLATE-FORWARD FLANGE RH -----							1	
-32	0713732-5	SHIELD ASSY-CABLE LH -----							1	
	0713732-9	SHIELD ASSY-CABLE LH -----							1	
	0713732-6	SHIELD ASSY-CABLE RH -----							1	
	0713732-10	SHIELD ASSY-CABLE RH -----							1	
-33	NAS698A08	NUTPLATE -----							1	
-34	S1741-1	ANCHOR -----							1	
-35	2213085-1	ANGLE-LH -----							1	
	2213085-2	ANGLE-RH -----							1	
-36	0713726-2	CLAMP ASSY-ELECTRIC CABLE -----							2	
-37	0700704-1	CLIP-UPHOLSTERY -----							3	
-38	S1862-1	NUTPLATE -----							2	
-39	S1863-2	NUTPLATE -----							4	
-40	NAS680A3	NUTPLATE -----							3	

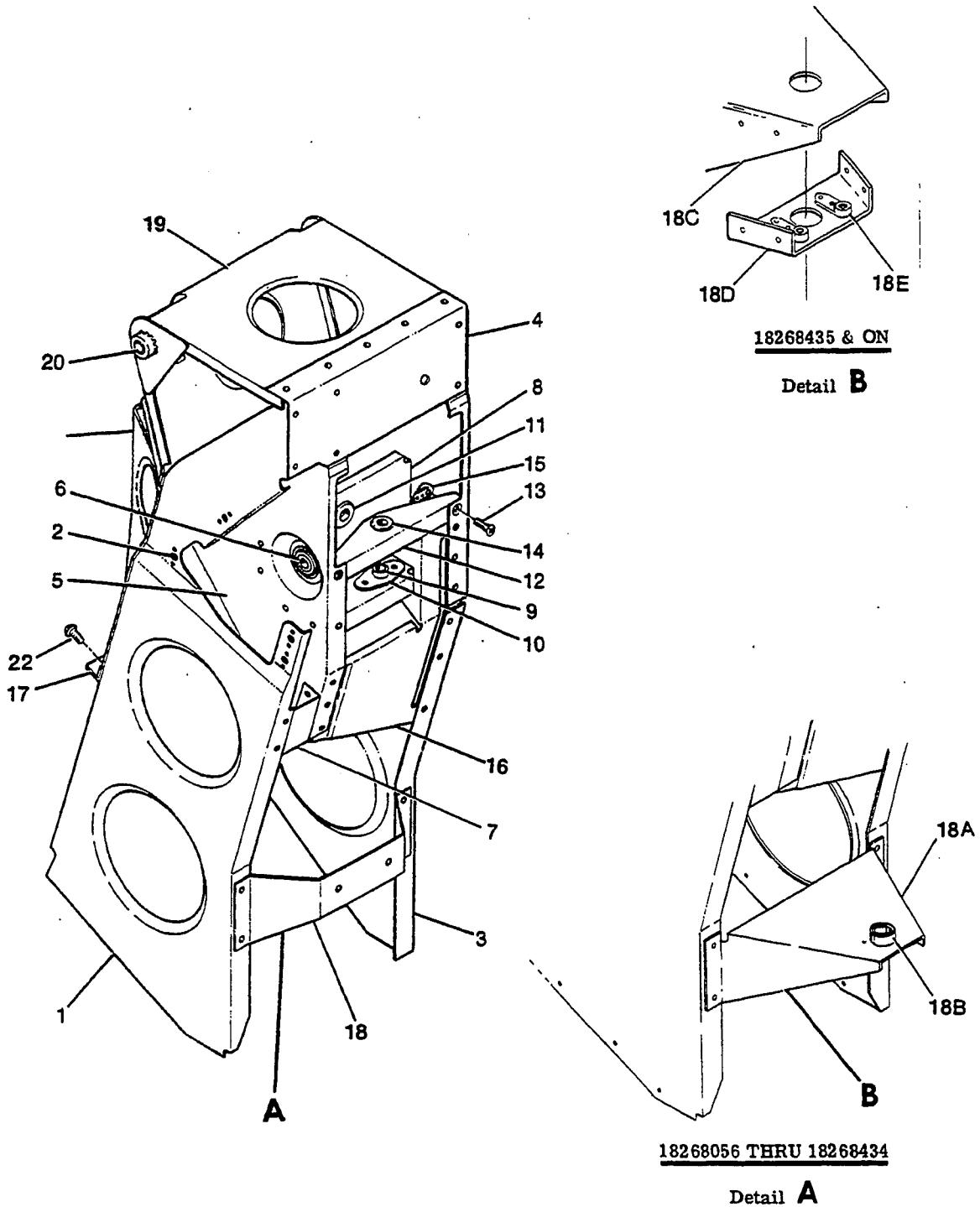
CONTINUED ON NEXT PAGE

# 182 & T182 Parts Catalog

FIGURE AND INDEX NO.	PART NUMBER	DESCRIPTION	1 2 3 4 5 6 7							UNITS PER ASSY	USABLE ON CODE	
			32 -41	0713608-3 0713608-7 0713356-1	BULKHEAD-FORWARD DOORPOST LOWER ----- BULKHEAD-FORWARD DOORPOST LOWER ----- DOUBLER -----							
-42	0713610-9 0713610-10	FITTING-FORWARD DOORPOST BULKHEAD LH ----- FITTING-FORWARD DOORPOST BULKHEAD RH -----							1 1			
-43	0713613-5 0713613-6	BULKHEAD REINFORCEMENT-FWD DOORPOST LH ----- BULKHEAD REINFORCEMENT-FWD DOORPOST RH -----							1 1			
-44	0713605-1	REINFORCEMENT-FWD DOORPOST -----							1			
-45	0713683-1 0713683-2	ANGLE-LOWER ENGINE MOUNT LH ----- ANGLE-LOWER ENGINE MOUNT RH -----							1 1			
-46	0713702-1	CLIP -----							1			
-47	NAS1054-8-14 NAS1448-14	RIVET-HI SHEAR ----- PIN ALT -----							12 12			
-48	NAS1054-8-13 NAS1448-13	RIVET-HI SHEAR ----- PIN ALT -----							4 4			
-49	NAS1054-8-11 NAS1448-11	RIVET-HI SHEAR ----- PIN ALT -----							2 2			
-50	NAS1054-6-5 NAS1054-6-4	RIVET-HI SHEAR ----- RIVET-HI SHEAR -----							10 10			
-51	NAS179-6	COLLAR-HI SHEAR RIVET -----							20			
-52	NAS179-8 NAS1080C08	COLLAR-HI SHEAR RIVET ----- COLLAR ALT USED WITH S1448 PIN ONLY -----							18 18			
-53	1270310-2 1270310-1	SHIELD ASSY RH-WIRING ----- SHIELD ASSY LH-WIRING -----							1 1	F F		
		A---182 SERIAL 18265966 THRU 18268055 F182 SERIAL F18200065 THRU F18200169 T182 SERIAL 18267716 THRU 18268055 B---182 SERIAL 18265966 THRU 18267300 F182 SERIAL F18200065 THRU F18200129 C---182 SERIAL 18267301 & ON F182 SERIAL F18200130 THRU F18200169 T182 SERIAL 18267716 & ON D---182 SERIAL 18265966 THRU 18267715 F182 SERIAL F18200065 THRU F18200169 E---182 & T182 SERIAL 18267716 & ON F---182 & T182 SERIAL 18268056 & ON G---182 SERIAL 18267301 THRU 18268055 T182 SERIAL 18267716 THRU 18268055 H---182 & T182 SERIAL 18268056 THRU 18268293 J---182 & T182 SERIAL 18268294 & ON K---182 SERIAL 18267301 THRU 18268293 T182 SERIAL 18267716 THRU 18268293										

# 182 & T182 Parts Catalog

Fuselage (Cont)



**182 SERIAL 18262466 & ON  
F182 SERIAL F18200001 THRU F18200169**

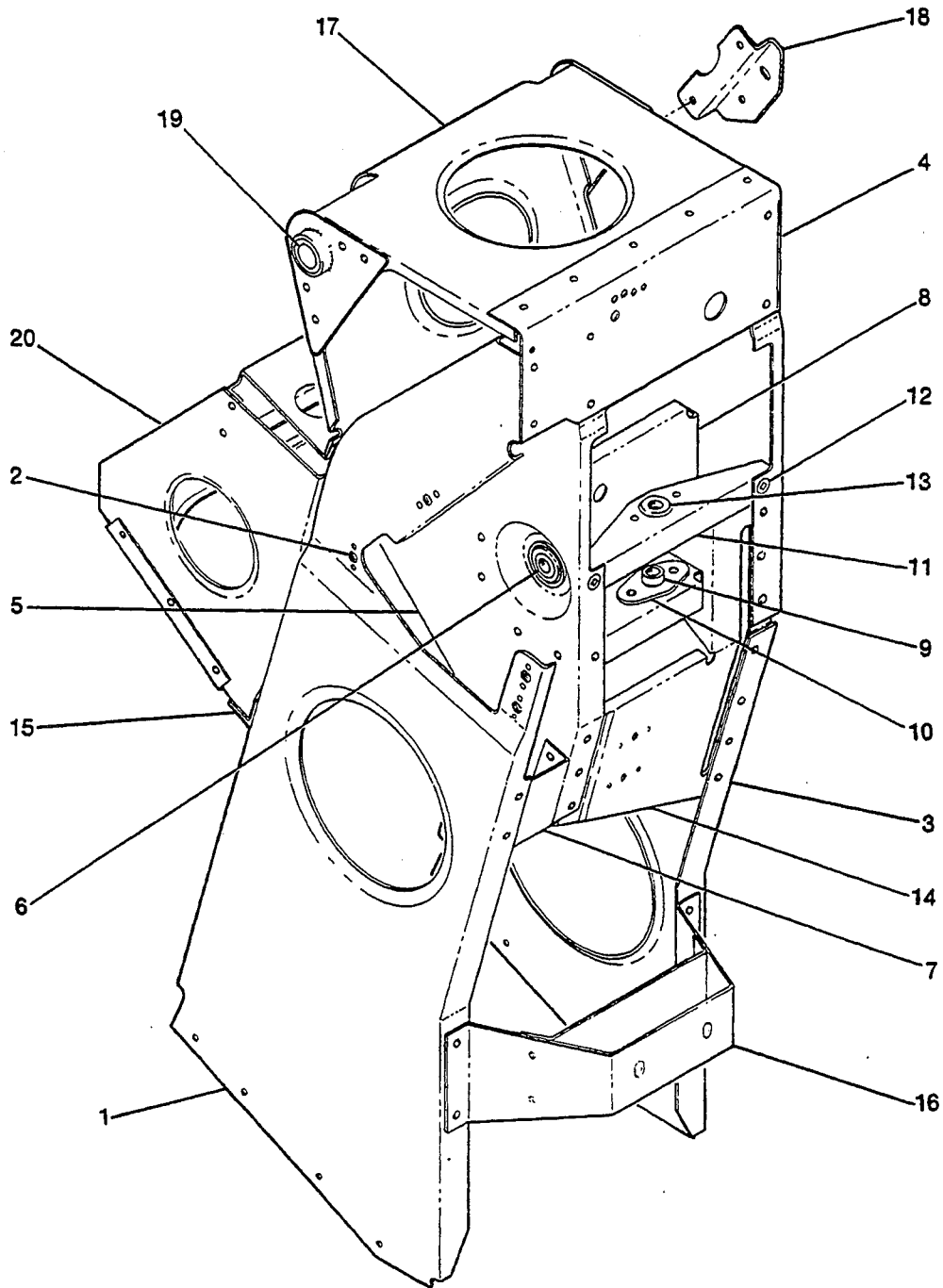
Figure 33. Console Structure Assembly

# 182 & T182 Parts Catalog

FIGURE AND INDEX NO.	PART NUMBER	DESCRIPTION	UNITS PER ASSY							USABLE ON CODE	
			1	2	3	4	5	6	7		
33 -	0713640-202	CONSOLE STRUCTURE ASSEMBLY -----	1							A	
		CONSOLE STRUCTURE ASSEMBLY -----	1							C	
		CONSOLE STRUCTURE ASSEMBLY -----	1							D	
- 1	0713640-15	SIDE PANEL ASSEMBLY-LH WEU 0713640-21 -----	1							C	
	0713640-21	SIDE PANEL ASSEMBLY-LH -----	1							D	
- 2	NAS697A08	NUTPLATE -----	4								
- 3	0713640-4	SIDE PANEL-RH -----	1							C	
	0713640-22	SIDE PANEL-RH -----	1							D	
- 4	0713975-1	BRACKET-PEDESTAL TO PANEL -----	1							A	
	0713975-2	BRACKET-PEDESTAL TO PANEL -----	1							B	
- 5	0713641-1	SUPPORT ASSY-ELEVATOR TRIM -----	1								
- 6	M451	BEARING TOR -----	1								
	0411320	HOUSING -----	1								
- 7	0713641-3	CLIP -----	1								
- 8	0713647-1	SUPPORT ASSY-RUDDER TRIM LOWER -----	1								
- 9	S1004-1A	BEARING -----	1								
-10	0713647-3	MOUNT-BEARING -----	1								
-11	S1080-1	GROMMET -----	1								
-12	0713657-1	SUPPORT ASSY-RUDDER TRIM UPPER -----	1								
		ATTACHING PARTS -----									
-13	AN507-632R4	SCREW -----	2								
		*-----									
-14	S1004-1A	BEARING -----	1								
	0713647-3	MOUNT-BEARING -----	1								
	0713647-2	SUPPORT-BEARING -----	1								
-15	NAS696A06LK	NUTPLATE -----	2								
-16	0713645-2	SUPPORT ASSY-COWL FLAP PLATE -----	1								
-17	0713651-1	ANGLE -----	1								
		ATTACHING PARTS -----									
	AN515-6R6	SCREW -----	2								
	MS21044N06	NUT -----	2							AR	
	AN960-6	WASHER -----	2								
		*-----									
-18	0713644-1	BRACKET-FUEL SELECTOR SUPPORT -----	1								
-18A	0713737-2	SUPPORT ASSY-FUEL SELECTOR -----	1								
	2216008-1	BUSHING -----	1								
-18B	1216604-2	FLANGE -----	1								
-18C	0713737-4	SUPPORT ASSY-FUEL SELECTOR HANDLE -----	1								
-18D	2213133-2	BRACKET ASSY-FUEL SELECTOR -----	1								
-18E	NAS696A06L	NUTPLATE -----	2								
-19	0762037-7	BRACKET ASSY-FLAP FOLLOW UP -----	1								
-20	0762037-3	BEARING ASSY -----	2								
-21	0713734-1	BRACKET ASSY-RUDDER -----	1								
		ATTACHING PARTS -----									
-22	AN515-6R6	SCREW -----	2								
	MS21044N06	NUT -----	2								
		*-----									
	0713647-3	MOUNT-BEARING -----	1								
	S1004-1A	BEARING -----	1								
		A---182 SERIAL 18262466 THRU 18265965 F182 SERIAL F18200001 THRU F18200064									
		B---182 SERIAL 18265966 & ON F182 SERIAL F18200065 THRU F18200169									
		C---182 SERIAL 18265966 THRU 18268055									
		D---182 SERIAL 18268056 & ON									
		E---182 SERIAL 18268056 THRU 18268434									
		F---182 SERIAL 18268435 & ON									

# 182 & T182 Parts Catalog

Fuselage (Cont)



**T182 SERIAL 18267716 THRU 18268055**

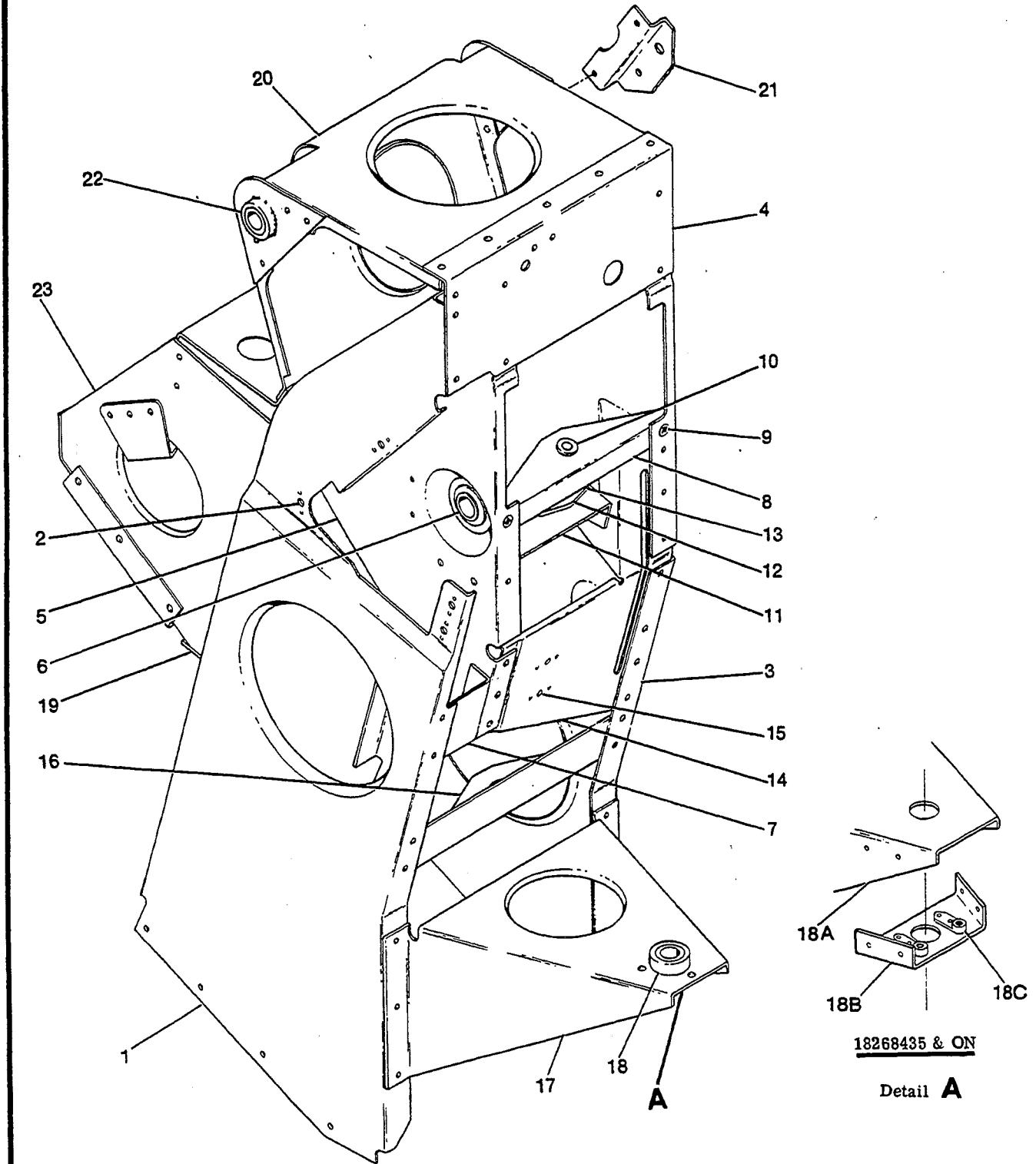
Figure 34. Console Structure Assembly

# 182 & T182 Parts Catalog

FIGURE AND INDEX NO.	PART NUMBER	DESCRIPTION							UNITS PER ASSY	USABLE ON CODE
		1	2	3	4	5	6	7		
34 -	0713640-204	CONSOLE STRUCTURE ASSY -----							1	A
- 1	0713640-21	SIDE PANEL ASSY-LH -----							1	
- 2	NAS697A08	NUTPLATE -----							4	
- 3	0713640-4	SIDE PANEL-RH -----							1	
- 4	0713975-2	BRACKET-PEDESTAL TO PANEL -----							1	
- 5	0713641-1	SUPPORT ASSY-ELEVATOR TRIM -----							1	
- 6	S1997C4-5	BEARING -----							1	
	0411420	HOUSING -----							1	
- 7	0713641-3	CLIP -----							1	
- 8	0713647-1	SUPPORT ASSY-RUDDER TRIM LOWER -----							1	
- 9	S1004-1A	BEARING -----							2	
-10	0713647-3	MOUNT-BEARING -----							2	
-11	0713657-1	SUPPORT ASSY-RUDDER TRIM UPPER -----							1	
-12	AN507-632R4	ATTACHING PARTS SCREW -----							2	
		*-----								
-13	S1004-1A	BEARING -----							1	
	0713647-3	MOUNT-BEARING -----							1	
	NAS696A06LK	NUTPLATE -----							2	
-14	0713645-2	SUPPORT ASSY-COWL FLAP PLATE -----							1	
-15	0713651-1	ANGLE -----							1	
		ATTACHING PARTS SCREW -----							2	
	AN515-6R6	NUT -----							2	
	MS21044N06	*-----								
-16	0713644-3	BRACKET-FUEL SELECTOR SUPPORT -----							1	
-17	0762037-9	BRACKET ASSY-FLAP FOLLOW UP -----							1	
-18	2260120-1	SUPPORT -----							1	
-19	0762037-3	BEARING ASSY -----							2	
-20	2213020-12	BRACKET ASSY-RUDDER TRIM & POWER PACK SUPPORT -----							1	
		A---T182 SERIAL 18267716 THRU 18268055								

# 182 & T182 Parts Catalog

Fuselage (Cont)



**T182 SERIAL 18268056 & ON**  
Figure 34A. Console Structure Assembly

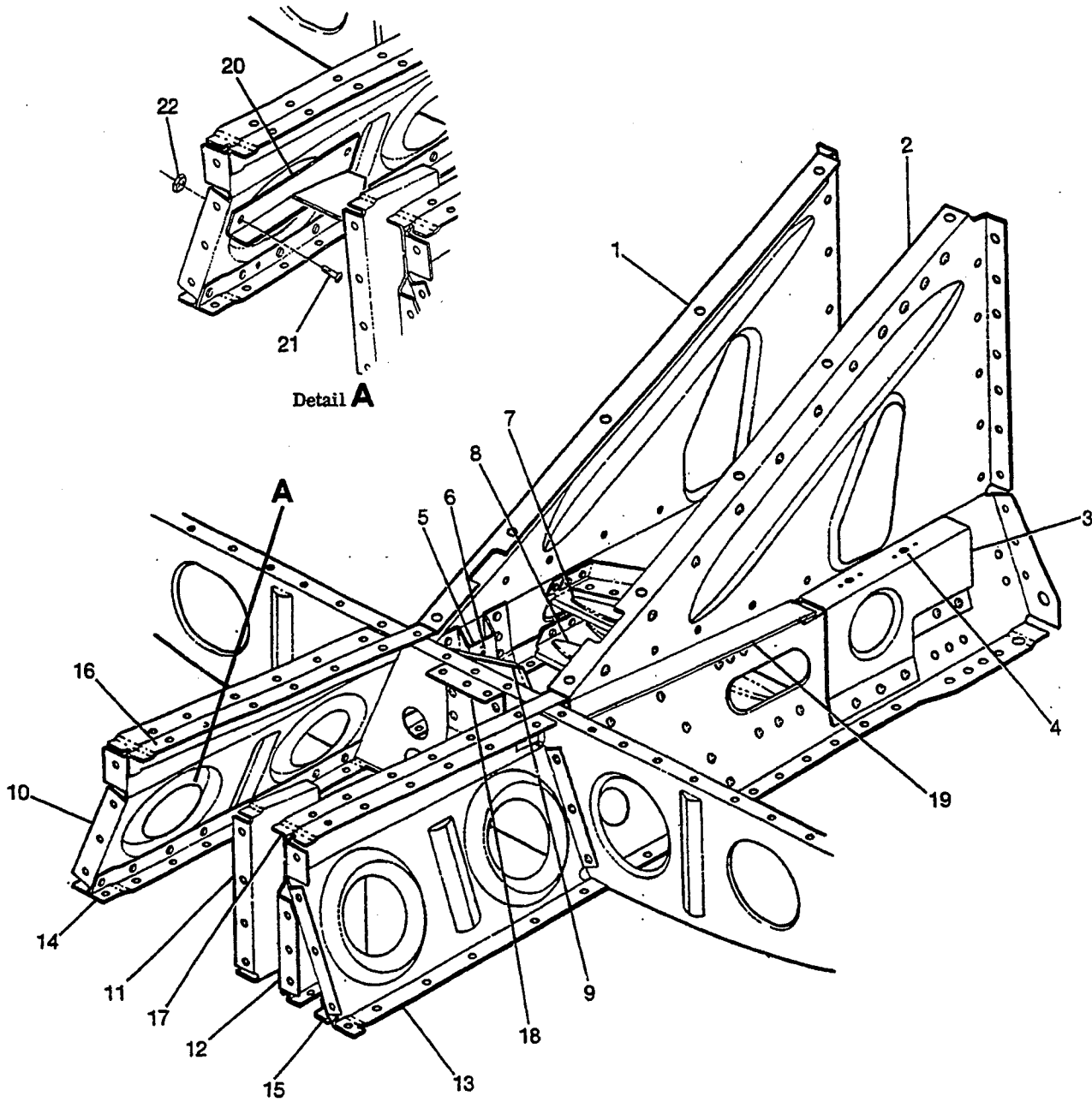
# 182 & T182 Parts Catalog

FIGURE AND INDEX NO.	PART NUMBER	DESCRIPTION	1 2 3 4 5 6 7							UNITS PER ASSY	USABLE ON CODE
34A-	0713640-205	CONSOLE STRUCTURE ASSY -----								1	A
- 1	0713640-21	SIDE PANEL ASSY-LH -----								1	
- 2	NAS679A08	NUTPLATE -----								4	
- 3	0713640-26	SIDE PANEL-RH -----								1	
- 4	0713975-2	BRACKET-PEDESTAL TO PANEL -----								1	
- 5	0713641-1	SUPPORT ASSY-ELEVATOR TRIM -----								1	
- 6	S1997C4-5	BEARING -----								1	
	0411420	HOUSING -----								1	
- 7	0713641-3	CLIP -----								1	
- 8	2213108-1	SUPPORT ASSY-RUDDER TRIM UPPER -----								1	
		ATTACHING PARTS -----									
- 9	ANS07-632R4	SCREW -----								2	
		*-----									
-10	S1004-1A	BEARING -----								1	
	0713647-3	MOUNT -----								1	
	NAS696A06LK	NUTPLATE -----								2	
-11	2213109-1	SUPPORT ASSY-RUDDER TRIM LOWER -----								1	
-12	S1004-1A	BEARING -----								1	
-13	0713647-3	MOUNT -----								1	
-14	0713645-2	SUPPORT ASSY-COWL FLAP PLATE -----								1	
-15	S1863-2	NUTPLATE -----								2	
-16	2213064-1	SUPPORT BRACKET-FLEX SHAFT -----								1	
-17	2213102-2	BRACKET-FUEL SELECTOR SUPPORT -----								1	
-18	1216604-2	FLANGE -----								1	
	2216008-1	BUSHING -----								1	
-18A	2213102-4	SUPPORT ASSY-FUEL SELECTOR HANDLE -----								1	
-18B	2213133-1	BRACKET ASSY-FUEL SELECTOR -----								1	
-18C	NAS696A06L	NUTPLATE -----								2	
-19	0713651-1	ANGLE -----								1	
		ATTACHING PARTS -----									
	ANS15-6R6	SCREW -----								2	
	MS21044N06	NUT -----								2	
		*-----									
-20	0762037-9	BRACKET ASSY-FLAP FOLLOW UP -----								1	
-21	2260120-1	SUPPORT -----								1	
-22	0762037-3	BEARING -----								1	
-23	2213020-14	BRACKET ASSY-RUDDER TRIM & POWER PACK SUPPORT -----								1	
		A---T182 SERIAL 18268056 & ON									B B C C C
		B---T182 SERIAL 18268056 THRU 18268434									
		C---T182 SERIAL 18268435 & ON									



# 182 & T182 Parts Catalog

Fuselage (Cont)



**182 SERIAL 18262466 & ON**  
**F182 SERIAL F18200001 THRU F18200169**

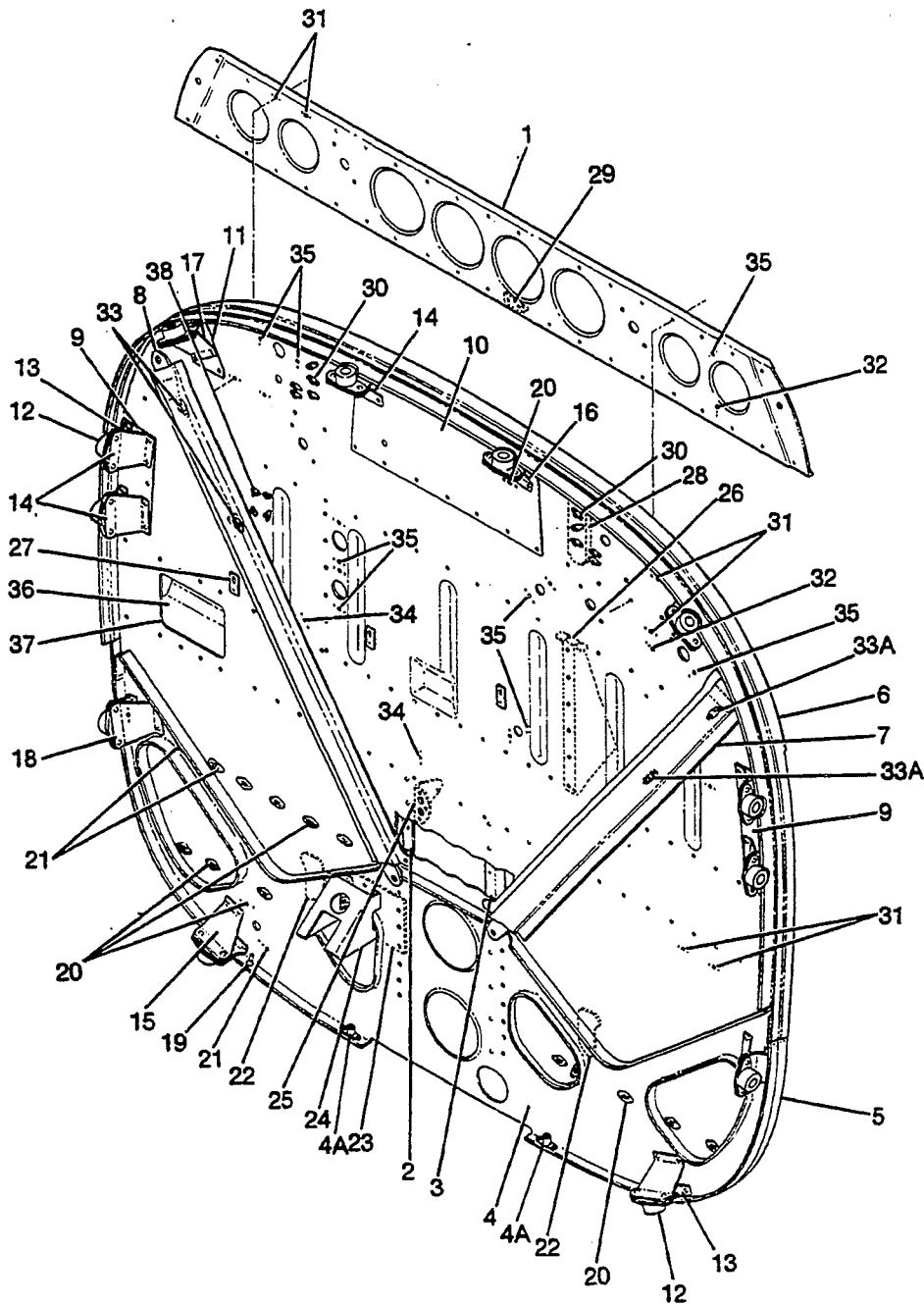
Figure 35. Front Section Tunnel Components

# 182 & T182 Parts Catalog

FIGURE AND INDEX NO.	PART NUMBER	DESCRIPTION							UNITS PER ASSY	USABLE ON CODE
		1	2	3	4	5	6	7		
35 -		TUNNEL COMPONENTS-FRONT SECTION -----							NP	A
- 1	0713631-1	BULKHEAD ASSEMBLY-TUNNEL LH -----							1	
- 2	0713631-6	BULKHEAD ASSEMBLY-TUNNEL RH -----							1	
- 3	0713628-2	BRACKET ASSEMBLY-INBOARD PEDAL SUPPORT RH -----							1	
	0713628-1	BRACKET ASSEMBLY-INBOARD PEDAL SUPPORT LH -----							1	
- 4	NAS686A3	NUTPLATE -----							2	
	0713624-2	ANCHOR-BRAKE CYLINDER LH ONLY -----							1	
- 5	0760145-1	BRACKET ASSEMBLY-ELEVATOR TRIM TAB PULLEY -----							1	D
	0760145-4	BRACKET ASSEMBLY-ELEVATOR TRIM TAB PULLEY -----							1	E
- 6	NAS686A3	NUTPLATE -----							1	D
- 7	0713637-1	SUPPORT ASSEMBLY-NOSE STEERING BELLCRANK UPPER -----							1	
- 8	0713636-1	BRACKET-NOSE STEERING BELLCRANK LOWER -----							1	
- 9	0760146-1	BRACKET-TRIM SPROCKET -----							1	
-10	0713634-2	BULKHEAD ASSEMBLY-AFT TUNNEL LH -----							1	
-11	0760144-1	BRACKET-RUDDER PULLEY -----							1	
-12	0760144-2	BRACKET-RUDDER PULLEY -----							1	
-13	0713634-3	BULKHEAD-AFT TUNNEL RH -----							1	
-14	0713694-1	ANGLE-TUNNEL LH -----							1	
-15	0713694-2	ANGLE-TUNNEL RH -----							1	
-16	0713671-3	ANGLE-TUNNEL LH -----							1	
-17	0713671-4	ANGLE-TUNNEL RH -----							1	
-18	0713681-1	BRACKET-FUEL SELECTOR VALVE -----							1	B
	0713580-1	BRACKET-FUEL SELECTOR VALVE -----							1	C
-19	0713290-2	REINFORCEMENT-RH -----							1	
	0713290-1	REINFORCEMENT-LH -----							1	
-20	0760014-1	GUARD ASSY -----							1	
		ATTACHING PARTS								
-21	AN515-8R6	SCREW -----							2	
-22	MS21044N08	NUT -----							2	
		-----*								
		A---182 SERIAL 18262466 & ON F182 SERIAL F18200001 THRU F18200169								
		B---182 SERIAL 18262466 THRU 18265175 F182 SERIAL F18200001 THRU F18200025								
		C---182 SERIAL 18265176 & ON F182 SERIAL F18200026 THRU F18200169								
		D---182 SERIAL 18262466 THRU 18267681 F182 SERIAL F18200001 THRU F18200169								
		E---182 SERIAL 18267682 & ON								

# 182 & T182 Parts Catalog

Fuselage (Cont)



**182 SERIAL 18262466 & ON  
F182 SERIAL F1820001 THRU F18200169**

Figure 36. Firewall Assembly

# 182 & T182 Parts Catalog

FIGURE AND INDEX NO.	PART NUMBER	DESCRIPTION							UNITS PER ASSY	USABLE ON CODE
		1	2	3	4	5	6	7		
36 -	0753103-2	FIREWALL ASSEMBLY -----							1	A E F
	0753103-4	FIREWALL ASSEMBLY -----							1	
	0753103-5	FIREWALL ASSEMBLY -----							1	
- 1	0753600-19	DOUBLER-FIREWALL -----							1	
- 2	0753600-11	ANGLE-SUPPORT RH -----							1	
- 3	0753600-12	ANGLE-SUPPORT LH -----							1	
- 4	0753105-3	DOUBLER ASSEMBLY-FORWARD -----							1	
- 4A	NAS680A08	NUTPLATE -----							2	
- 5	0753108-3	DOUBLER-AFT LH -----							1	
	0753108-4	DOUBLER-AFT RH -----							1	
- 6	0753106-8	SEAL ASSEMBLY-UPPER -----							1	
- 7	0753102-1	STIFFENER ASSEMBLY-LH -----							1	
- 8	0753102-2	STIFFENER ASSEMBLY-RH -----							1	
	0753102-9	STIFFENER PLATE-UPPER -----							1	
	0753102-11	STIFFENER PLATE-LOWER -----							1	
- 9	0753107-4	DOUBLER-SHOCKMOUNT -----							2	
-10	0753107-7	DOUBLER-SHOCKMOUNT -----							1	
-11	0753107-8	DOUBLER-SHOCKMOUNT -----							2	
-12	S2155-1	SHOCKMOUNT -----							12	
-13	0753029-3	BRACKET-SHOCKMOUNT -----							12	
-14	0753030-1	GUSSET-SHOCKMOUNT WEU 0753030-15 -----							7	C D
	0753030-15	GUSSET ASSY-SHOCKMOUNT -----							7	
-15	0753030-11	GUSSET-SHOCKMOUNT -----							1	
-16	0753030-12	GUSSET-SHOCKMOUNT -----							1	
-17	0753030-13	GUSSET-SHOCKMOUNT RH -----							1	
	0753030-14	GUSSET-SHOCKMOUNT LH -----							1	
-18	0753030-8	GUSSET ASSY-SHOCKMOUNT WEU 0753030-16 -----							1	C D C D
	0753030-16	GUSSET ASSEMBLY-SHOCKMOUNT -----							1	
	NAS680A08	NUTPLATE -----							1	
	NAS682A3	NUTPLATE -----							2	
-19	S1929-1	BUMPER -----							2	
-20	S1863-3	NUT TIN -----							17	
-21	S1862-2	NUT TIN -----							3	
-22	0753602-3	DOUBLER-LH -----							1	
	0753602-2	DOUBLER-RH -----							1	
-23	0753600-14	DOUBLER-FUEL STRAINER -----							1	
-24	0713757-2	BRACKET-FUEL STRAINER -----							1	
-25	0713700-1	BRACKET-COWL FLAP CONTROL -----							1	
-26	0760673-1	BRACKET-ELEVATOR PULLEY -----							2	
-27	0753000-13	DOUBLER -----							3	
-28	0753004-1	DOUBLER-LH -----							1	
	0753004-2	DOUBLER-RH -----							1	
-29	0762046-1	BRACKET-SPRING -----							1	
-30	NAS697A06L	NUTPLATE -----							10	
-31	NAS697A4K	NUTPLATE -----							6	
-32	NAS696A08K	NUTPLATE -----							2	A B
	NAS680A4K	NUTPLATE -----							3	
-33	NAS680A3	NUTPLATE -----							2	
-33A	S1860-2	NUTPLATE -----							2	F
-34	NAS697A08K	NUTPLATE -----							2	
-35	S1863-3A	NUT TIN -----							12	E F H J
	S1863-3A	NUT TIN -----							10	
-36	0753601-16	DUCT ASSEMBLY-HEATER -----							1	
	0753601-23	DUCT ASSEMBLY-HEATER -----							1	
-37	SEE FIG 146	VALVE ASSEMBLY-WARM AIR -----							1	
-38	NAS680A3	NUTPLATE -----							4	G

A---182 SERIAL 18262466 THRU 18265965  
 F182 SERIAL F18200001 THRU F18200064

B---182 SERIAL 18265966 & ON  
 F182 SERIAL F18200065 THRU F18200169

C---182 SERIAL 18262466 THRU 18265966  
 F182 SERIAL F18200001 THRU F18200067

D---182 SERIAL 18265697 & ON  
 F182 SERIAL F18200068 THRU F18200169

E---182 SERIAL 18265966 THRU 18266590  
 F182 SERIAL F18200065 THRU F18200094

F---182 SERIAL 18266591 & ON  
 F182 SERIAL F18200095 THRU F18200169

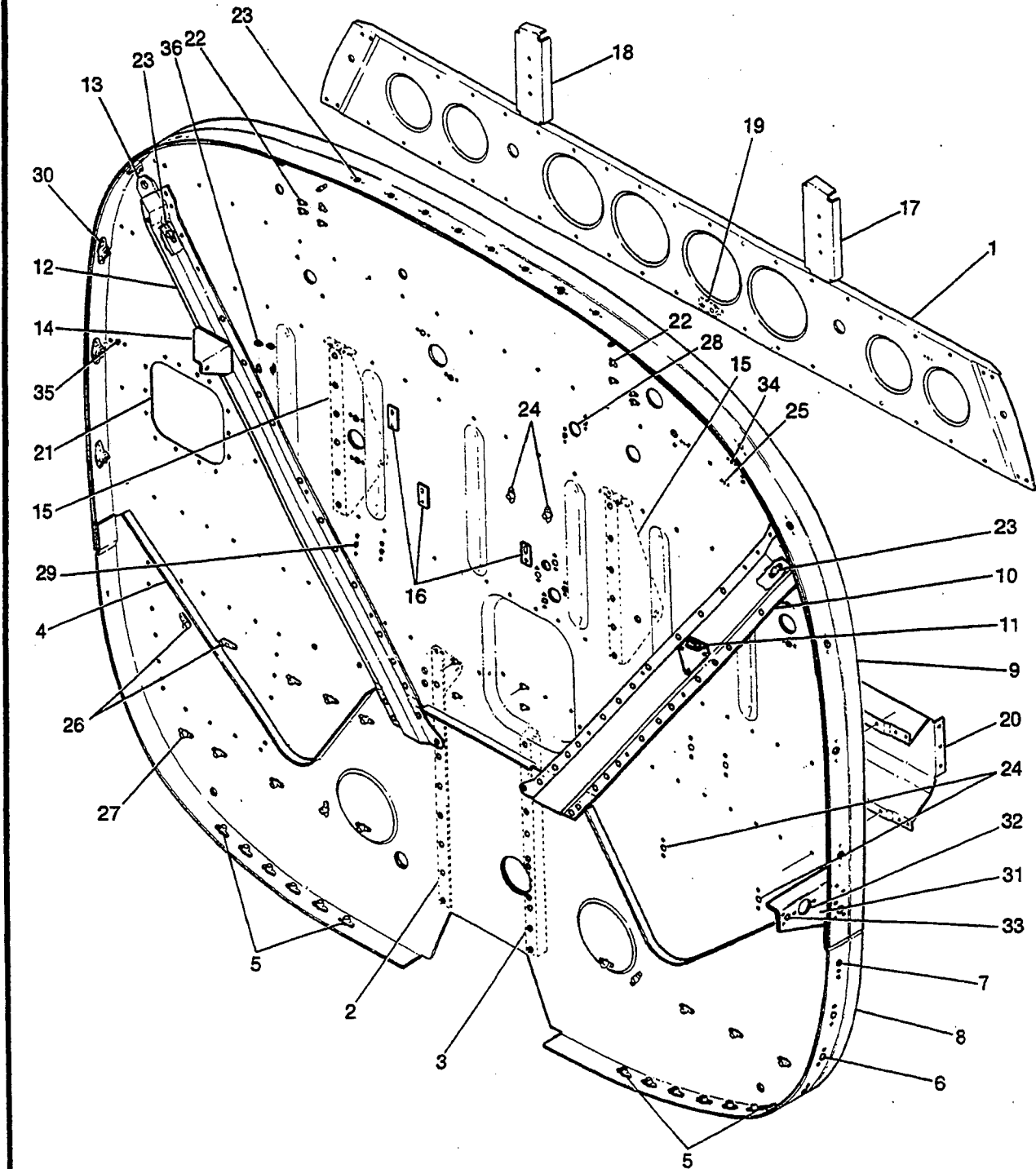
G---182 SERIAL 18268220 & ON

H---182 SERIAL 18262466 THRU 18268293

J---182 SERIAL 18268294 & ON

# 182 & T182 Parts Catalog

Fuselage (Cont)



**T182 SERIAL 18267716 & ON**

Figure 37. Firewall Assembly

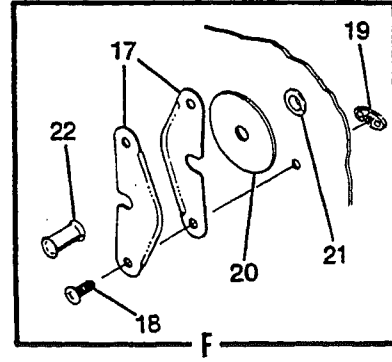
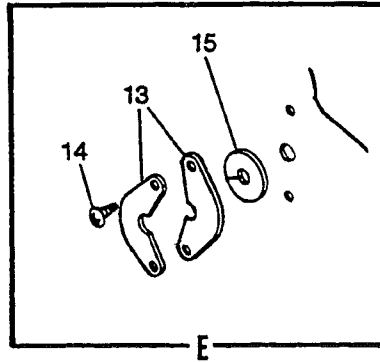
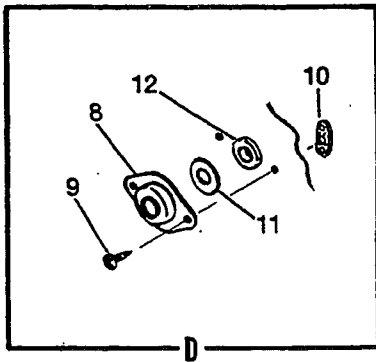
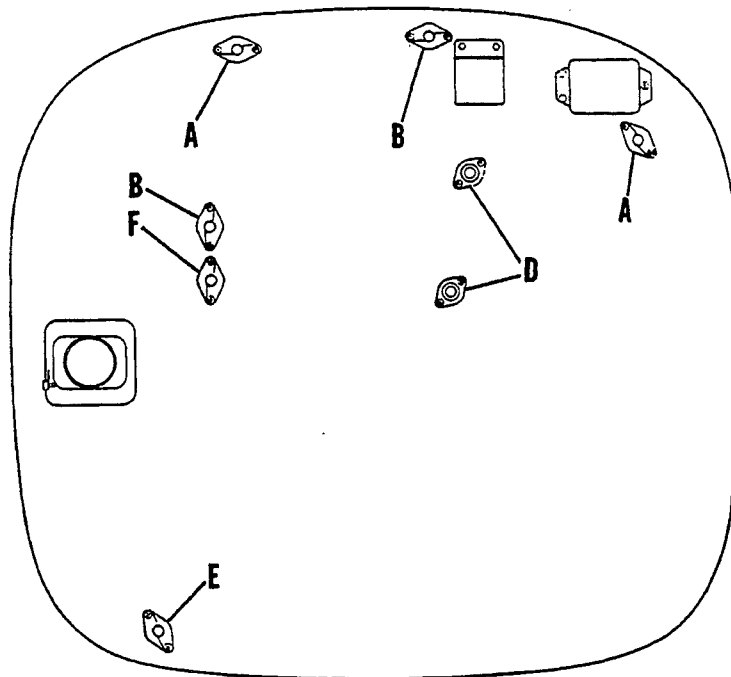
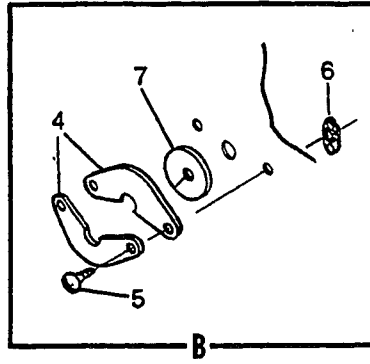
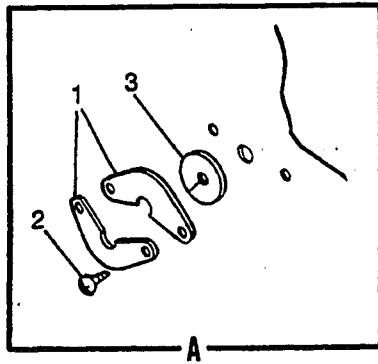
# 182 & T182 Parts Catalog

FIGURE AND INDEX NO.	PART NUMBER	DESCRIPTION	UNITS PER ASSY	USABLE ON CODE
				1 2 3 4 5 6 7
37 -	2253000-3	FIREWALL ASSEMBLY -----	1	A
- 1	0753600-19	DOUBLER-FIREWALL -----	1	
- 2	2253012-1	STIFFENER-FIREWALL LH -----	1	
- 3	2253012-2	STIFFENER-FIREWALL RH -----	1	
- 4	2253004-3	DOUBLER ASSY-FORWARD -----	1	
- 5	NAS680A08	NUTPLATE -----	12	
- 6	NAS680A3	NUTPLATE -----	5	
- 7	NAS683A3	NUTPLATE -----	2	
- 8	0753108-5	DOUBLER-LOWER LH AFT -----	1	
	0753108-6	DOUBLER-LOWER RH AFT -----	1	
- 9	0753600-23	RETAINER-UPPER COWL -----	1	
-10	2253011-5	STIFFENER ASSY-LH -----	1	
	0753102-9	STIFFENER PLATE -----	1	
-11	2250023-1	SUPPORT-AIRBOX ASSY -----	1	
-12	2253011-2	STIFFENER ASSY-RH -----	1	B
	2253011-8	STIFFENER ASSY-RH -----	1	C
-13	0753102-9	STIFFENER PLATE -----	1	
-14	2253008-1	BRACKET-CABIN HEAT CONTROL -----	1	B
	2253033-1	BRACKET-CABIN HEAT CONTROL -----	1	C
-15	0760673-1	BRACKET-ELEVATOR PULLEY -----	2	
-16	0753000-13	DOUBLER -----	3	
-17	0753004-1	DOUBLER-LH -----	1	
-18	0753004-2	DOUBLER-RH -----	1	
-19	0762046-1	BRACKET-SPRING -----	1	
-20	2253021-1	DUCT ASSY-HEATER -----	1	D
	2253021-3	DUCT ASSY-HEATER -----	1	E
	2253009-1	DUCT-HEATER -----	1	B
	2253009-2	DUCT-HEATER -----	1	C
-21	SEE FIG 147	HEATER INLET-CABIN -----	1	
-22	NAS697A06L	NUTPLATE -----	10	
-23	NAS680A3	NUTPLATE -----	17	
-24	NAS683A3K	NUTPLATE -----	2	
-25	NAS697A4K	NUTPLATE -----	3	
-26	S1862-2	NUTPLATE -----	2	
-27	S1863-3	NUTPLATE -----	14	
-28	S1863-3A	NUTPLATE -----	11	
-29	NAS697A3	NUTPLATE -----	4	
-30	S2319-50	RECEPTACLE -----	10	
-31	2253029-1	STIFFENER ASSY -----	1	
-32	244-16	RECEPTACLE -----	1	
-33	NAS684A3	NUTPLATE -----	2	
-34	NAS680A08	NUTPLATE -----	2	
-35	NAS680A3K	NUTPLATE -----	1	
-36	NAS680A3	NUTPLATE -----	4	F

A---T182 SERIAL 18267716 & ON  
 B---T182 SERIAL 18267716 THRU 18268055  
 C---T182 SERIAL 18268056 & ON  
 D---T182 SERIAL 18267716 THRU 18268293  
 E---T182 SERIAL 18268294 & ON  
 F---T182 SERIAL 18268220 & ON

# 182 & T182 Parts Catalog

## Fuselage (Cont)



**182 SERIAL 18262466 & ON**  
**F182 SERIAL F1820001 THRU F18200169**

Figure 38. Firewall Grommets Installation

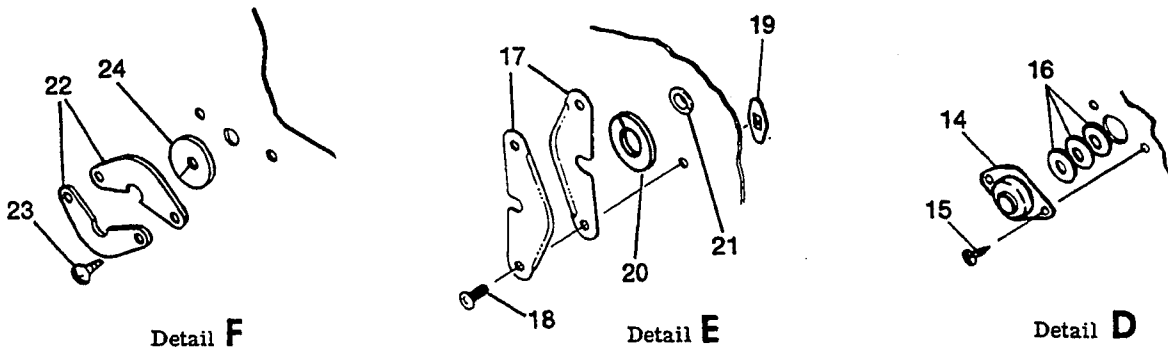
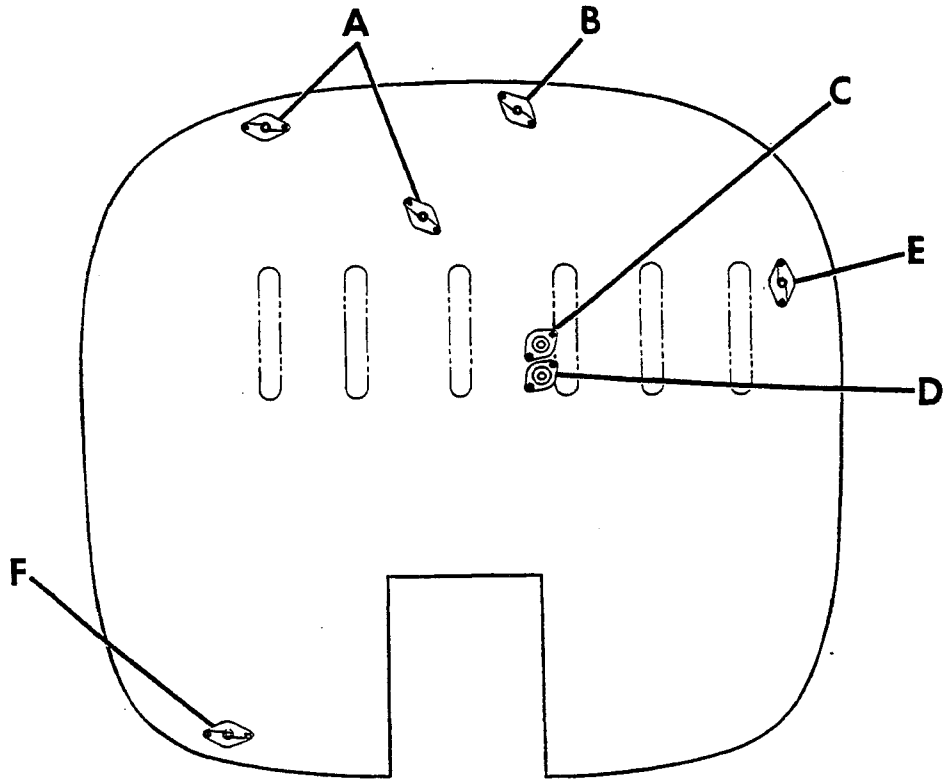
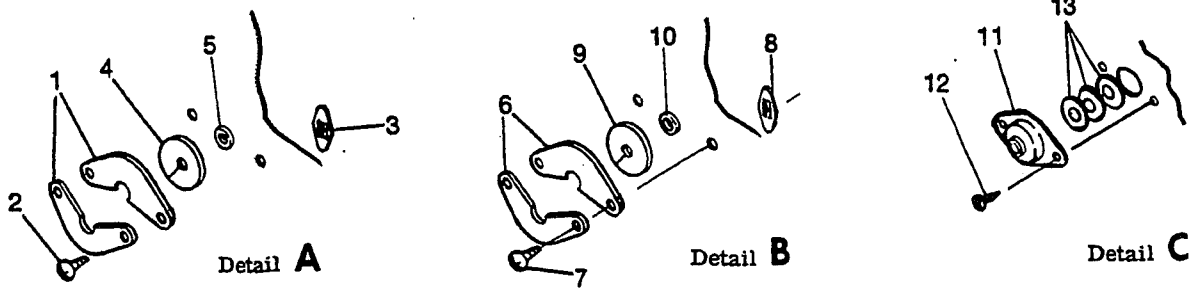
# 182 & T182 Parts Catalog

FIGURE AND INDEX NO.	PART NUMBER	DESCRIPTION							UNITS PER ASSY	USABLE ON CODE
		1	2	3	4	5	6	7		
38 -		FIREWALL GROMMETS INSTALLATION -----							NP	
- 1	S1095-3	SHIELD-FIREWALL GROMMET -----							2	
		ATTACHING PARTS -----								
- 2	S102178-6	SCREW -----							2	
	S1863-3A	NUTPLATE -----							2	
		*-----								
- 3	NAS557-6A	GROMMET-FIREWALL -----							2	
- 4	S1095-2	SHIELD-FIREWALL GROMMET -----							2	
		ATTACHING PARTS -----								
- 5	S102178-6	SCREW -----							2	
- 6	S1863-3	NUT -----							2	
		*-----								
- 7	NAS557-4A	GROMMET-FIREWALL -----							2	
- 8	S352	SHIELD-FIREWALL GROMMET -----							2	
		ATTACHING PARTS -----								
- 9	S102178-6	SCREW -----							2	
-10	S1863-3A	NUT -----							2	
		*-----								
-11	S354-1	GROMMET-ASBESTOS -----							2	
-12	MS35489-11	GROMMET-FIREWALL -----							2	
-13	S1095-4	SHIELD-FIREWALL GROMMET -----							2	
		ATTACHING PARTS -----								
-14	S102178-8	SCREW -----							2	
	S1863-3	NUTPLATE -----							1	
	S1862-2	NUTPLATE -----							1	
		*-----								
-15	NAS557-8A	GROMMET-FIREWALL -----							2	
-16	0713003-74	DELETED NOT USED -----							1	
-17	S1095-1	SHIELD-FIREWALL -----							2	A
		ATTACHING PARTS -----								
-18	S102178-6	SCREW -----							2	A
-19	S1863-3A	NUT -----							2	A
		*-----								
-20	S354-5	GROMMET-ASBESTOS -----							1	A
-21	NAS557-4A	GROMMET -----							1	A
-22	0753003-1	BUSHING -----							1	A
		A---182 SERIAL 18262466 THRU 18266590 F182 SERIAL F18200001 THRU F18200094 B---182 SERIAL 18262466 & ON F182 SERIAL F18200001 THRU F18200169								



# 182 & T182 Parts Catalog

Fuselage (Cont)



**T182 SERIAL 18267716 & ON**

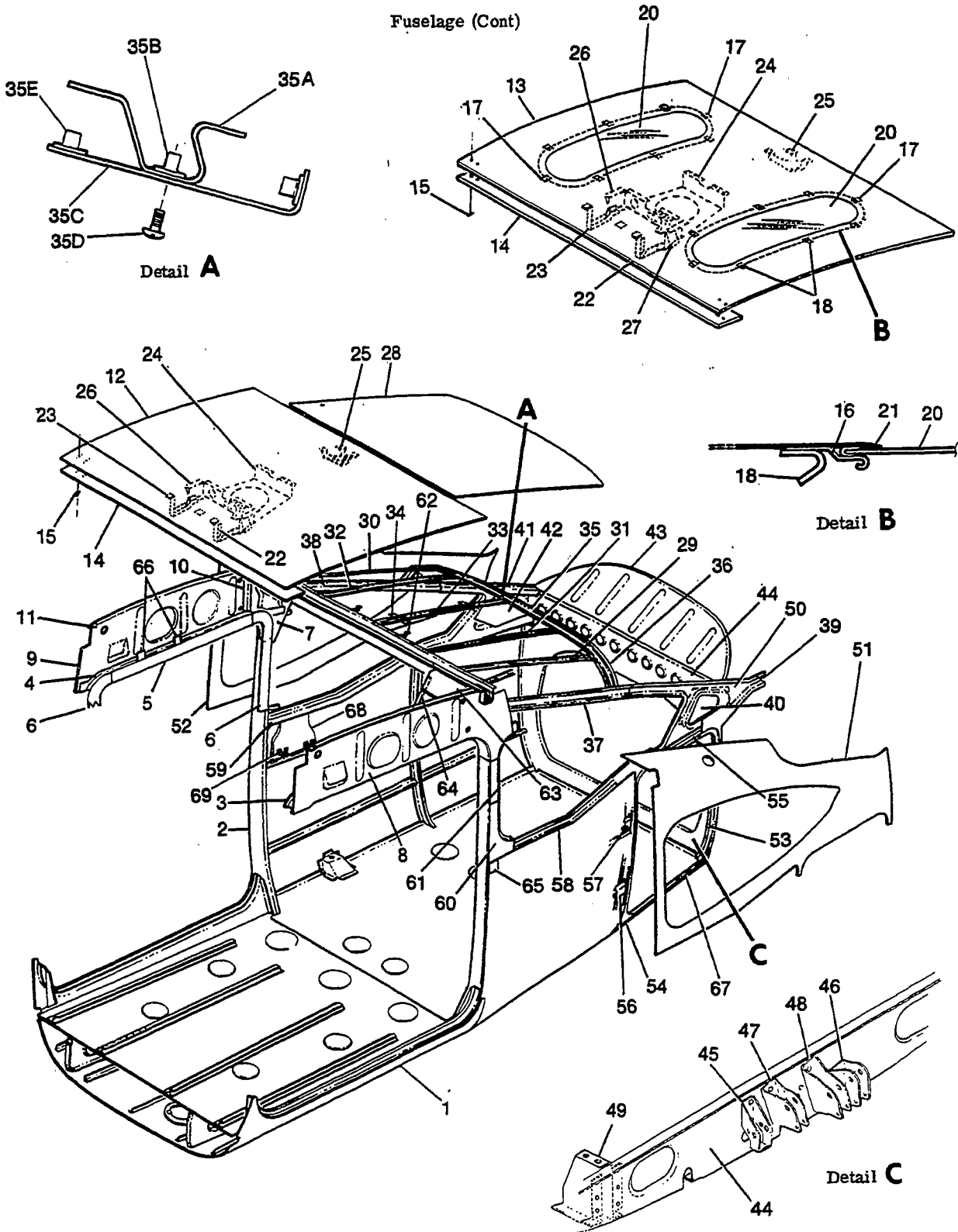
Figure 39. Firewall Grommets Installation

# 182 & T182 Parts Catalog

FIGURE AND INDEX NO.	PART NUMBER	DESCRIPTION							UNITS PER ASSY	USABLE ON CODE
		1	2	3	4	5	6	7		
39 -		FIREWALL GROMMETS INSTALLATION -----							NP	A
- 1	S1095-3	SHIELD-FIREWALL GROMMET -----							2	
		ATTACHING PARTS -----								
- 2	S1021Z8-6	SCREW -----							2	
- 3	S1863-3A	NUTPLATE -----							2	
		*-----								
- 4	S354-1	GROMMET-ABESTOS -----							1	
- 5	NAS557-6A	GROMMET-FIREWALL -----							1	
- 6	S1095-2	SHIELD-FIREWALL GROMMET -----							2	
		ATTACHING PARTS -----								
- 7	S1021Z8-6	SCREW -----							2	
- 8	S1863-3A	NUTPLATE -----							2	
		*-----								
- 9	S354-5	GROMMET-ABESTOS -----							1	
-10	NAS557-4A	GROMMET-FIREWALL -----							1	
-11	S352-2	SHIELD-FIREWALL GROMMET -----							1	
		ATTACHING PARTS -----								
-12	S1021Z8-6	SCREW -----							2	
		*-----								
-13	S354-1	GROMMET -----							3	
-14	S352-1	SHIELD-FIREWALL GROMMET -----							1	
		ATTACHING PARTS -----								
-15	S1021Z8-6	SCREW -----							2	
		*-----								
-16	S354-1	GROMMET -----							3	
-17	S1095-5	SHIELD-FIREWALL GROMMET -----							2	
		ATTACHING PARTS -----								
-18	S1021Z8-6	SCREW -----							2	
-19	S1863-3	NUTPLATE -----							2	
		*-----								
-20	S354-1	GROMMET-ABESTOS -----							1	
-21	NAS557-10A	GROMMET-FIREWALL -----							1	
-22	S1095-4	SHIELD-FIREWALL GROMMET -----							1	
		ATTACHING PARTS -----								
-23	S1021Z8-8	SCREW -----							2	
		*-----								
-24	NAS557-8A	GROMMET -----							1	
A---T182 SERIAL 18267716 & ON										

# 182 & T182 Parts Catalog

Fuselage (Cont)



**182 SERIAL 18262466 THRU 18267715**  
**F182 SERIAL F1820001 THRU F18200169**

Figure 40. Center Cabin Section Assembly

# 182 & T182 Parts Catalog

FIGURE AND INDEX NO.	PART NUMBER	DESCRIPTION							UNITS PER ASSY	USABLE ON CODE
		1	2	3	4	5	6	7		
40 -	0710700-201	CENTER CABIN SECTION ASSY	-----	-----	-----	-----	-----	-----	1	A B E F G A B E F G
	0710700-203	CENTER CABIN SECTION ASSY	-----	-----	-----	-----	-----	-----	1	
	0710700-205	CENTER CABIN SECTION ASSY	-----	-----	-----	-----	-----	-----	1	
	0710700-207	CENTER CABIN SECTION ASSY	-----	-----	-----	-----	-----	-----	1	
	0710700-202	CENTER CABIN SECTION ASSY WITH SKYLIGHT	-----	-----	-----	-----	-----	-----	1	
	0710700-204	CENTER CABIN SECTION ASSY WITH SKYLIGHT	-----	-----	-----	-----	-----	-----	1	
	0710700-206	CENTER CABIN SECTION ASSY WITH SKYLIGHT	-----	-----	-----	-----	-----	-----	1	
	0710700-208	CENTER CABIN SECTION ASSY WITH SKYLIGHT	-----	-----	-----	-----	-----	-----	1	
- 1	SEE FIG 44	LOWER CABIN SECTION ASSY	-----	-----	-----	-----	-----	-----	1	
- 2	SEE FIG 43	DOORPOST ASSY-REAR	-----	-----	-----	-----	-----	-----	1	
	NAS1054-8-10	ATTACHING PARTS	-----	-----	-----	-----	-----	-----	16	
	NAS179-8	RIVET-HI SHEAR	-----	-----	-----	-----	-----	-----	16	
		COLLAR	-----	-----	-----	-----	-----	-----	16	
		*-----	-----	-----	-----	-----	-----	-----		
- 3	0710602-1	SILL ASSY-UPPER CABIN DOOR LH	-----	-----	-----	-----	-----	-----	1	
- 4	0710602-2	SILL ASSY-UPPER CABIN DOOR RH	-----	-----	-----	-----	-----	-----	1	
- 5	0715045-2	RETAINER 1RH & 1LH	-----	-----	-----	-----	-----	-----	2	
		ATTACHING PARTS	-----	-----	-----	-----	-----	-----		
	S1021A4-6	SCREW	-----	-----	-----	-----	-----	-----	5	
		*-----	-----	-----	-----	-----	-----	-----		
- 6	0715045-1	RETAINER 2RH & 2LH	-----	-----	-----	-----	-----	-----	4	
		ATTACHING PARTS	-----	-----	-----	-----	-----	-----		
	S1021A4-6	SCREW	-----	-----	-----	-----	-----	-----	4	
		*-----	-----	-----	-----	-----	-----	-----		
- 7	0710603-4	GUSSET-RH	-----	-----	-----	-----	-----	-----	1	
	0710603-3	GUSSET-LH	-----	-----	-----	-----	-----	-----	1	
- 8	0710601-29	BULKHEAD ASSY-UPPER CABIN LH	-----	-----	-----	-----	-----	-----	1	
	0710601-37	BULKHEAD ASSY-UPPER CABIN LH	-----	-----	-----	-----	-----	-----	1	
	0710601-47	BULKHEAD ASSY-UPPER CABIN LH	-----	-----	-----	-----	-----	-----	1	
- 9	0710601-30	BULKHEAD ASSY-UPPER CABIN RH	-----	-----	-----	-----	-----	-----	1	
	0710601-38	BULKHEAD ASSY-UPPER CABIN RH	-----	-----	-----	-----	-----	-----	1	
	0710601-48	BULKHEAD ASSY-UPPER CABIN RH	-----	-----	-----	-----	-----	-----	1	
-10	0710629-2	BULKHEAD ASSY-UPPER CABIN RH	-----	-----	-----	-----	-----	-----	1	
	0710629-1	STIFFENER-RH	-----	-----	-----	-----	-----	-----	1	
	S1050-1	STIFFENER-LH	-----	-----	-----	-----	-----	-----	1	
-11	0710605-200	GROMMET 5.64 IN LG BKI REF S1050-1-5.64	-----	-----	-----	-----	-----	-----	2	
-12	0710605-201	CABIN TOP ASSY-FORWARD	-----	-----	-----	-----	-----	-----	1	
-13	0701017-200	CABIN TOP ASSY-FORWARD	-----	-----	-----	-----	-----	-----	1	
	0701017-201	CABIN TOP ASSY SKYLIGHT-FORWARD	-----	-----	-----	-----	-----	-----	1	
-14	1210020-10	CABIN TOP ASSY SKYLIGHT-FORWARD	-----	-----	-----	-----	-----	-----	1	
-15	NAS697A08	CAP-SPAR	-----	-----	-----	-----	-----	-----	1	
-16	0411174-3	NUTPLATE	-----	-----	-----	-----	-----	-----	4	
-17	0414014-1	FRAME USED ON SKYLIGHT ASSY ONLY	-----	-----	-----	-----	-----	-----	2	
-18	0414014-2	BRACKET USED ON SKYLIGHT ASSY ONLY	-----	-----	-----	-----	-----	-----	4	
-19		BRACKET USED ON SKYLIGHT ASSY ONLY	-----	-----	-----	-----	-----	-----	12	
-20	0511797-2	DELETED NOT PROCURABLE	-----	-----	-----	-----	-----	-----		
-21	S1055-1	WINDOW USED ON SKYLIGHT ASSY ONLY	-----	-----	-----	-----	-----	-----	2	
		CHANNEL USED ON SKYLIGHT ASSY ONLY	-----	-----	-----	-----	-----	-----	2	
		45.65 IN LG BKI REF S1055-1-45.65	-----	-----	-----	-----	-----	-----		
-22	0711781-1	BRACKET LH-OVERHEAD CONSOLE	-----	-----	-----	-----	-----	-----	1	
-23	0711781-2	BRACKET RH-OVERHEAD CONSOLE	-----	-----	-----	-----	-----	-----	1	
		ATTACHING PARTS	-----	-----	-----	-----	-----	-----		
	AN507-832R8	SCREW	-----	-----	-----	-----	-----	-----	2	
		*-----	-----	-----	-----	-----	-----	-----		
-24	1211077-5	SUPPORT ASSY-SPEAKER	-----	-----	-----	-----	-----	-----	1	
	NAS697A08	NUTPLATE	-----	-----	-----	-----	-----	-----	2	
-25	0711683-1	BRACKET ASSY-DOMELIGHT	-----	-----	-----	-----	-----	-----	1	
	NAS684A08K	NUTPLATE	-----	-----	-----	-----	-----	-----	2	
-26	1211076-1	BRACKET ASSY-SUPPORT	-----	-----	-----	-----	-----	-----	1	
	1211089-1	BRACKET	-----	-----	-----	-----	-----	-----	2	
	NAS696A08	NUTPLATE	-----	-----	-----	-----	-----	-----	2	
	NAS697A08	NUTPLATE	-----	-----	-----	-----	-----	-----	3	
-27	1215012-3	SUPPORT-LH	-----	-----	-----	-----	-----	-----	1	
	1215012-2	SUPPORT-RH	-----	-----	-----	-----	-----	-----	1	

CONTINUED ON NEXT PAGE

# 182 & T182 Parts Catalog

FIGURE AND INDEX NO.	PART NUMBER	DESCRIPTION	UNITS PER ASSY							USABLE ON CODE
			1	2	3	4	5	6	7	
40 -28	0711800-9	SKIN-CABIN TOP AFT -----	1							
-29	0711677-1	STIFFENER-CABIN TOP LH -----	1							C D C D
	0711677-5	STIFFENER-CABIN TOP LH -----	1							
-30	0711677-2	STIFFENER-CABIN TOP RH -----	1							
	0711677-6	STIFFENER-CABIN TOP RH -----	1							
-31	0711678-3	STIFFENER-CABIN TOP LH -----	1							
-32	0711678-4	STIFFENER-CABIN TOP RH -----	1							
-33	0711684-1	STIFFENER-CABIN TOP CENTER -----	1							
-34	0411680	HANGER -----	2							H G G G
-35	0711679-3	STIFFENER ASSY -----	1							
	NAS682A3	NUTPLATE -----	1							
-35A	0711679-4	STIFFENER ASSY -----	1							
-35B	NAS682A3	NUTPLATE -----	2							
-35C	1200659-29	PLATE ASSY -----	1							
		ATTACHING PARTS -----	2							
-35D	AN525-10R8	SCREW -----	2							G G
		-----*								
-35E	NAS680A3	NUTPLATE -----	2							
-36	0711681-1	RETAINER-REAR WINDOW -----	1							
-37	0712648-1	STRINGER-LH -----	1							
-38	0712648-2	STRINGER-RH -----	1							
-39	0711676-7	STIFFENER ASSY-LH -----	1							
	0711676-3	ANCHOR ASSY-CHAIN -----	1							
	NAS697A08	NUTPLATE -----	1							
	NAS697A3K	NUTPLATE -----	1							
-40	0711793-1	PLATE ASSY -----	1							
	0711793-5	PAD -----	1							
	NAS680A4	NUTPLATE -----	1							
-41	0711676-6	STIFFENER RH -----	1							
-42	0711793-2	PLATE ASSY -----	1							
	0711793-6	PAD -----	1							
	NAS680A4	NUTPLATE -----	1							
	NAS697A3K	NUTPLATE -----	1							
-43	0712625-4	BULKHEAD-CANTED -----	1							
-44	0712505-3	BULKHEAD ASSY-STA. 110.00 -----	1							
-45	0760137-1	BRACKET-PULLEY -----	1							
-46	0760138-1	BRACKET-PULLEY -----	1							
		ATTACHING PARTS -----	1							
	AN3-3A	BOLT -----	1							
	MS21044N3	NUT -----	1							
		-----*								
-47	0760143-1	BRACKET-PULLEY -----	1							
		ATTACHING PARTS -----	1							
	AN3-3A	BOLT -----	1							
	MS21044D3	NUT -----	1							
		-----*								
-48	0760139-1	BRACKET-PULLEY -----	1							
		ATTACHING PARTS -----	1							
	AN3-3A	BOLT -----	1							
	MS21044D3	NUT -----	1							
		-----*								
	0760141-1	BRACKET-PULLEY -----	1							
		ATTACHING PARTS -----	1							
	AN3-3A	BOLT -----	1							
	MS21044N3	NUT -----	1							
		-----*								
-49	0712757-2	BRACKET ASSY-BAGGAGE NET RH -----	1							
	0712757-1	BRACKET ASSY-BAGGAGE NET LH -----	1							
	0712757-5	SPACER -----	1							
	NAS696A3K	NUTPLATE USED ON 0712757-2 ONLY -----	1							
	NAS697A4K	NUTPLATE USED ON 0712757-1 ONLY -----	1							
-50	0712654-1	CLIP-LH -----	1							
	0712654-2	CLIP-RH -----	1							
-51	0711800-5	SKIN-CABIN SIDE LH -----	1							
	0711800-19	SKIN-CABIN SIDE LH -----	1						H G G	
-52	0711800-6	SKIN-CABIN SIDE RH -----	1							
	0711800-20	SKIN-CABIN SIDE RH -----	1							
-53	0711618-4	BAGGAGE DOOR JAMB-AFT -----	1							
-54	0711618-6	BAGGAGE DOOR JAMB-FWD -----	1							
-55	0711673-1	BAGGAGE DOOR SILL-UPPER -----	1							
	Z211079-1	BRACKET ASSY-BAGGAGE DOOR CHAIN -----	1							

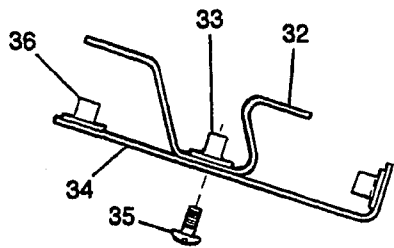
CONTINUED ON NEXT PAGE

# 182 & T182 Parts Catalog

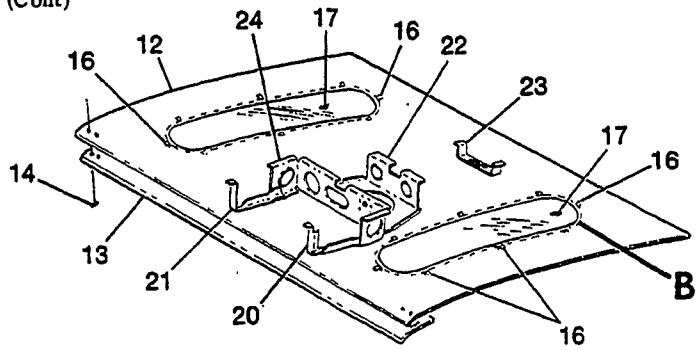
FIGURE AND INDEX NO.	PART NUMBER	DESCRIPTION							UNITS PER ASSY	USABLE ON CODE
		1	2	3	4	5	6	7		
40 -56	0711628-1	HINGE BRACKET-LOWER -----							1	6 6 6 6
-57	0711628-2	HINGE BRACKET-UPPER -----							1	
-58	0711671-9	STRINGER-LH -----							1	
-59	0711671-10	STRINGER-RH -----							1	
-60	0711610-1	GUSSET PLATE-LH -----							1	
	0711610-2	GUSSET PLATE-RH -----							1	
-61	0711615-1	WINDOW RETAINER-FWD LH -----							1	
	0711615-2	WINDOW RETAINER-FWD RH -----							1	
-62	0700108-1	BRACKET-TIARA MOUNTING LH -----							1	
	0700108-2	BRACKET-TIARA MOUNTING RH -----							1	
-63	1210032-9	VIBRATION DAMPENER ASSY-LH -----							1	
	1210032-8	VIBRATION DAMPENER ASSY-RH -----							1	
	NAS696A08	NUTPLATE -----							1	
	NAS697A08	NUTPLATE -----							3	
-64	0711776-1	STIFFENER-ANTENNA LH -----							1	
	0711776-2	STIFFENER-ANTENNA RH -----							1	
-65	0711701-1	BUMPER-LATCH BOLT -----							2	
-66	0715048-1	SUPPORT -----							4	
-67	S1346-1	SEAL-BAGGAGE DOOR BKI REF S1346-1-84.00 -----							1	
-68	0711690-6	REINFORCEMENT PLATE-RH -----							1	
	0711690-5	REINFORCEMENT PLATE-LH -----							1	
-69	0700688-3	SUPPORT ASSY-ARM REST -----							4	
		A---182 SERIAL 18262466 THRU 18264295								
		B---182 SERIAL 18264296 THRU 18265965								
		F182 SERIAL F18200001 THRU F18200064								
		C---182 SERIAL 18262466 THRU 18265965								
		F182 SERIAL F18200001 THRU F18200064								
		D---182 SERIAL 18265966 THRU 18267715								
		F182 SERIAL F18200065 THRU F18200169								
		E---182 SERIAL 18265966 THRU 18266590								
		F182 SERIAL F18200065 THRU F18200094								
		F---182 SERIAL 18266591 THRU 18267300								
		F182 SERIAL F18200095 THRU F18200129								
		G---182 SERIAL 18267301 THRU 18267715								
		F182 SERIAL F18200130 THRU F18200169								
		H---182 SERIAL 18262466 THRU 18267300								
		F182 SERIAL F18200001 THRU F18200129								
		J---182 SERIAL 18262466 THRU 18266590								
		F182 SERIAL F18200001 THRU F18200094								

# 182 & T182 Parts Catalog

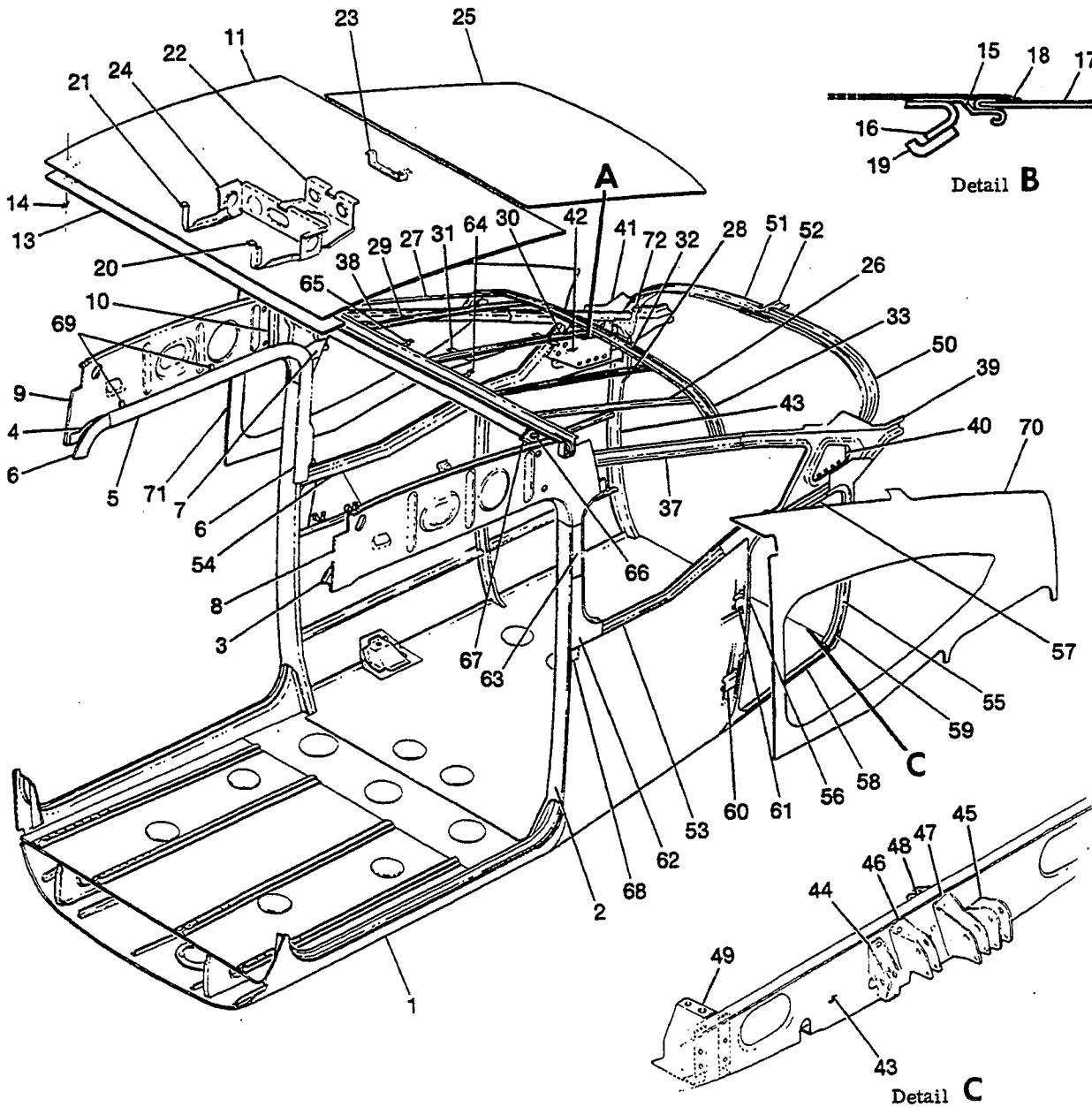
Fuselage (Cont)



Detail A



Detail B



Detail C

**182 & T182 SERIAL 18267716 & ON**

Figure 41. Center Cabin Section Assembly

# 182 & T182 Parts Catalog

FIGURE AND INDEX NO.	PART NUMBER		DESCRIPTION							UNITS PER ASSY	USABLE ON CODE
			1	2	3	4	5	6	7		
41 -	0710700-209 *		CENTER CABIN SECTION ASSY							1	A B B C C
	0710700-210 *		CENTER CABIN SECTION ASSY			WITH SKYLIGHT				1	
	0710700-211		CENTER CABIN SECTION ASSY							1	
	0710700-212		CENTER CABIN SECTION ASSY			SKYLIGHT				1	
	0710700-214		CENTER CABIN SECTION ASSY							1	
	0710700-215		CENTER CABIN SECTION ASSY			SKYLIGHT				1	
- 1	SEE FIG 44		LOWER CABIN SECTION							1	
- 2	SEE FIG 42		DOORPOST ASSY-REAR							1	
	NAS1054-8-10		ATTACHING PARTS								
	NAS179-8		RIVET-HI SHEAR							16	
			COLLAR							16	
- 3	0710602-41		SILL ASSY-UPPER CABIN DOOR LH							1	
- 4	0710602-42		SILL ASSY-UPPER CABIN DOOR RH							1	
- 5	0715045-2		RETAINER 1 RH & 1 LH							2	
	S1021A4-6		ATTACHING PARTS								
			SCREW							5	
- 6	0715045-1		RETAINER 2 RH & 2 LH							4	
	S1021A4-6		ATTACHING PARTS								
			SCREW							4	
- 7	0710603-4		GUSSET-RH							1	
	0710603-3		GUSSET-LH							1	
- 8	0710601-47		BULKHEAD ASSY-UPPER CABIN LH							1	
- 9	0710601-48		BULKHEAD ASSY-UPPER CABIN RH							1	
- 10	0710629-2		STIFFENER-RH							1	
	0710629-1		STIFFENER-LH							1	
- 11	0710605-202 *		CABIN TOP ASSY-FWD							1	
	0710605-203		CABIN TOP ASSY-FWD							1	
- 12	0701017-202 *		CABIN TOP ASSY-FWD			SKYLIGHT				1	
	0701017-203		CABIN TOP ASSY-FWD							1	
- 13	1210020-10		CAP-SPAR							1	
- 14	NAS680A08		NUTPLATE							4	
- 15	0411174-3		FRAME SKYLIGHT ASSY ONLY							2	
- 16	0414014-2		BRACKET SKYLIGHT ASSY ONLY							16	
- 17	0511797-2		WINDOW-SKYLIGHT							2	
- 18	S1055-1		CHANNEL SKYLIGHT ASSY ONLY 45.65 IN LG							2	
			BKI REF S1055-1-45.65								
- 19	0514064-3		RETAINER SKYLIGHT ASSY ONLY							2	
- 20	0711781-1		BRACKET LH-OVERHEAD CONSOLE							1	
- 21	0711781-2		BRACKET RH-OVERHEAD CONSOLE							1	
	AN507-832R8		ATTACHING PARTS								
			SCREW							2	
- 22	1211077-5		SUPPORT ASSY-SPEAKER							1	
	NAS697A08		NUTPLATE							2	
- 23	0710019-1		BRACKET ASSY-DOMELIGHT							1	
	NAS684A08K		NUTPLATE							2	
- 24	1211076-1		BRACKET ASSY-SUPPORT							1	
	1211089-1		BRACKET							2	
	NAS696A08		NUTPLATE							2	
	NAS697A08		NUTPLATE							3	
- 25	0711800-9		SKIN-CABIN TOP AFT							1	
- 26	0711677-5		STIFFENER-CABIN TOP LH OUTBD							1	
- 27	0711677-6		STIFFENER-CABIN TOP RH OUTBD							1	
- 28	0711678-1		STIFFENER-CABIN TOP LH INBD							1	
- 29	0711678-2		STIFFENER-CABIN TOP RH INBD							1	
- 30	0711684-1		STIFFENER-CABIN TOP CENTER							1	
- 31	0411680		HANGER							2	
- 32	0711679-4		STIFFENER ASSY							1	
- 33	NAS682A3		NUTPLATE							1	
- 34	1200659-29		PLATE ASSY							1	
			ATTACHING PARTS								
- 35	AN525-10RB		SCREW							2	
- 36	NAS680A3		NUTPLATE							2	
- 37	0712648-1		STRINGER-LH							1	
- 38	0712648-2		STRINGER-RH							1	

CONTINUED ON NEXT PAGE



# 182 & T182 Parts Catalog

FIGURE AND INDEX NO.	PART NUMBER	DESCRIPTION							UNITS PER ASSY	USABLE ON CODE
		1	2	3	4	5	6	7		
41 -39	0711676-9	STIFFENER ASSY-LH -----							1	
	NAS697A3K	NUTPLATE -----							1	
-40	0711793-1	PLATE ASSY -----							1	
	0711793-5	PAD -----								
	NAS680A3	NUTPLATE -----							1	
-41	0711676-8	STIFFENER ASSY-RH -----							1	
-42	0711793-2	PLATE ASSY -----							1	
	0711793-6	PAD -----							1	
	NAS680A4	NUTPLATE -----							1	
	NAS697A3K	NUTPLATE -----							1	
-43	0711607-1	BULKHEAD ASSY-STA 110.00 -----							1	
-44	0760137-1	BRACKET-ELEVATOR TRIM PULLEY -----							1	
-45	0760138-1	BRACKET-RH RUDDER PULLEY -----							1	
		ATTACHING PARTS -----								
	AN3-3A	BOLT -----							1	
	MS21044N3	NUT -----							1	
		-----*								
-46	0760143-1	BRACKET-ELEVATOR UP PULLEY -----							1	
		ATTACHING PARTS -----								
	AN3-3A	BOLT -----							1	
	MS21044N3	NUT -----							1	
		-----*								
-47	0760139-1	BRACKET-LH RUDDER PULLEY -----							1	
		ATTACHING PARTS -----								
	AN3-3A	BOLT -----							1	
	MS21044N3	NUT -----							1	
		-----*								
-48	0760141-1	BRACKET-ELEVATOR DOWN PULLEY -----							1	
		ATTACHING PARTS -----								
	AN3-3A	BOLT -----							1	
	MS21044N3	NUT -----							1	
		-----*								
-49	0712757-1	SUPPORT BRACKET ASSY LH-BAGGAGE NET -----							1	
	0712757-2	SUPPORT BRACKET ASSY RH-BAGGAGE NET -----							1	
	0712757-5	SPACER -----							1	
	NAS697A4K	NUTPLATE USED ON 0712757-1 ONLY -----							1	
	NAS696A3K	NUTPLATE USED ON 0712757-2 ONLY -----							1	
-50	2211076-1	BULKHEAD LH-CANTED STA 110.00 -----							1	
-51	2211076-2	BULKHEAD RH-CANTED STA 110.00 -----							1	
-52	2211063-1	GUSSET -----							1	
-53	0711671-9	STRINGER-LH -----							1	
-54	0711671-10	STRINGER-RH -----							1	
-55	0711618-4	BAGGAGE DOOR JAMB-AFT -----							1	
-56	0711618-6	BAGGAGE DOOR JAMB-FWD -----							1	
-57	0711673-1	BAGGAGE DOOR SILL-UPPER -----							1	
-58	0711620-1	BAGGAGE DOOR SILL-LOWER -----							1	
-59	S1346-1	SEAL-BAGGAGE DOOR BKT REF S1346-1-84.00 IN LG -----							1	
-60	0711628-1	HINGE BRACKET ASSY-LOWER -----							1	
-61	0711628-2	HINGE BRACKET-UPPER -----							1	
-62	0711610-1	GUSSET PLATE-LH -----							1	
	0711610-2	GUSSET PLATE-RH -----							1	
-63	0711615-1	WINDOW RETAINER-FWD LH -----							1	
	0711615-2	WINDOW RETAINER-FWD RH -----							1	
-64	0700108-1	BRACKET-TIARA MOUNTING LH -----							1	
-65	0700108-2	BRACKET-TIARA MOUNTING RH -----							1	

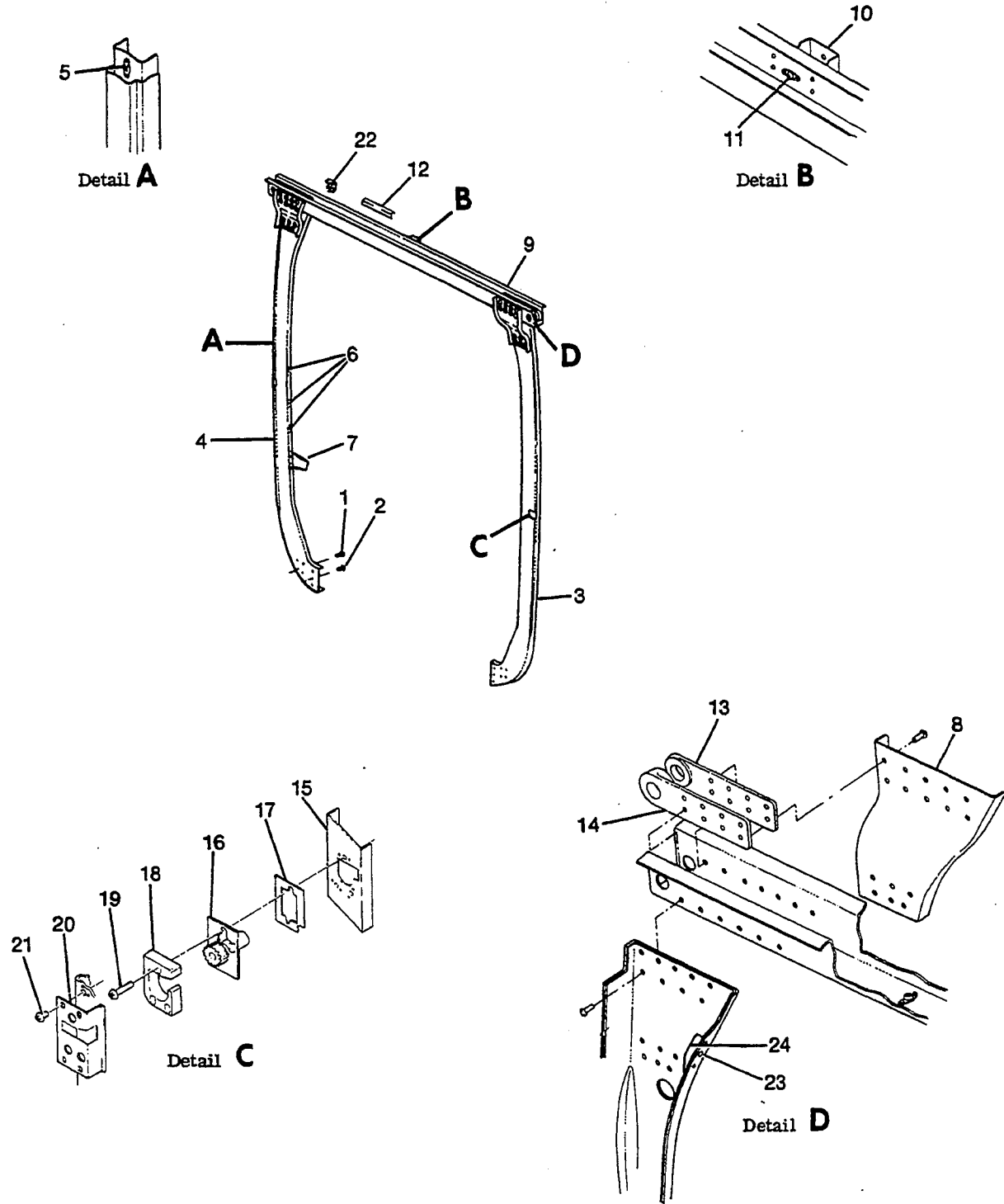
CONTINUED ON NEXT PAGE

# 182 & T182 Parts Catalog

FIGURE AND INDEX NO.	PART NUMBER	DESCRIPTION							UNITS PER ASSY	USABLE ON CODE
		1	2	3	4	5	6	7		
41 -66  -67 -68 -69 -70 -71 -72	1210032-9	VIBRATION DAMPENER ASSY-LH -----							1	
	1210032-8	VIBRATION DAMPENER ASSY-RH -----							1	
	NAS696A08	NUTPLATE -----							1	
	NAS697A08	NUTPLATE -----							3	
	0711776-1	STIFFENER-ANTENNA LH -----							1	
	0711776-2	STIFFENER-ANTENNA RH -----							1	
	0711701-1	BUMPER-LATCH BOLT -----							2	
	0715048-1	SUPPORT-SHOULDER HARNESS TRAY -----							4	
	0711800-19	SKIN-CABIN SIDE LH -----							1	
	0711800-20	SKIN-CABIN SIDE RH -----							1	
	2211005-2	GUSSET-RH -----							1	
	2211005-1	GUSSET-LH -----							1	
<p>NOTE. *WHEN INITIALLY ORDERING THIS PART FOR AIRCRAFT SERIAL 18267716 THRU 18267740 ALSO ORDER (1) 0711779-2 COVER &amp; (1) S2160-1 SWITCH DOMELIGHT.</p> <p>A---182 &amp; T182 SERIAL 18267716 THRU 18268254            B---182 &amp; T182 SERIAL 18268255 THRU 18268293            C---182 &amp; T182 SERIAL 18268294            D---182 &amp; T182 SERIAL 18267716 THRU 18268293</p>										

# 182 & T182 Parts Catalog

Fuselage (Cont)



**182 SERIAL 18262466 THRU 18267715**  
**F182 SERIAL F1820001 THRU F18200169**

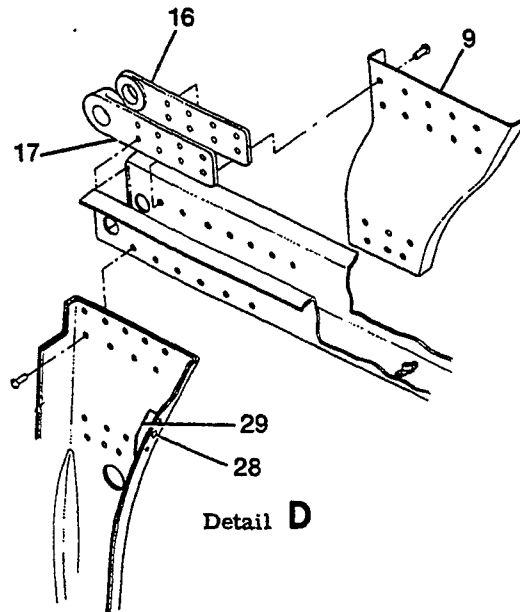
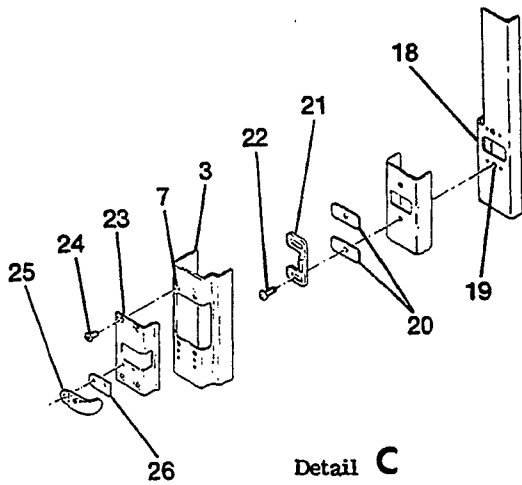
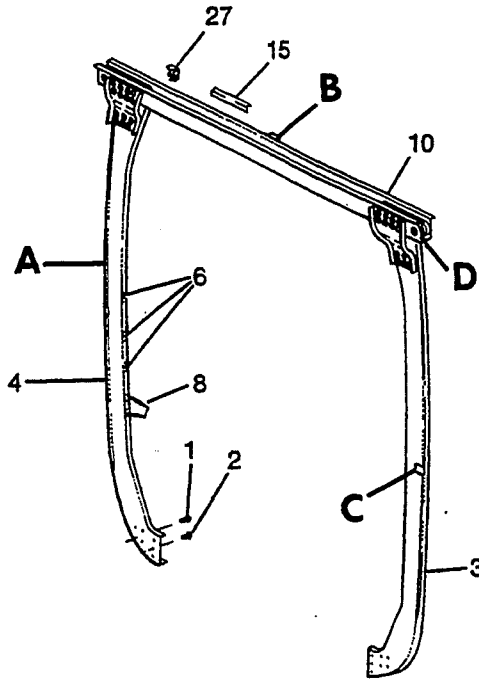
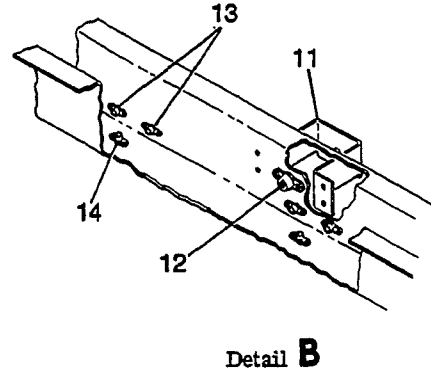
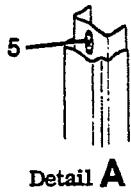
Figure 42. Rear Doorpost Bulkhead Assembly

# 182 & T182 Parts Catalog

FIGURE AND INDEX NO.	PART NUMBER	DESCRIPTION							UNITS PER ASSY	USABLE ON CODE
		1	2	3	4	5	6	7		
42 -	0711604-215	BULKHEAD ASSY-REAR DOORPOST	-----	-----	-----	-----	-----	-----	1	A E F
	0711604-216	BULKHEAD ASSY-REAR DOORPOST	-----	-----	-----	-----	-----	-----	1	
	0711604-217	BULKHEAD ASSY-REAR DOORPOST	-----	-----	-----	-----	-----	-----	1	
		ATTACHING PARTS								
- 1	NAS178-8-8	RIVET-HI SHEAR	-----	-----	-----	-----	-----	-----	4	
- 2	NAS178-8-7	RIVET-HI SHEAR	-----	-----	-----	-----	-----	-----	10	
		-----*								
- 3	0711604-213	CHANNEL ASSY-REAR DOORPOST LH	-----	-----	-----	-----	-----	-----	1	
- 4	0711604-214	CHANNEL ASSY-REAR DOORPOST RH	-----	-----	-----	-----	-----	-----	1	
- 5	S1863-3	NUTPLATE TIN	-----	-----	-----	-----	-----	-----	2	
- 6	S1863-2	NUTPLATE TIN	-----	-----	-----	-----	-----	-----	3	
- 7	0711665-2	BRACKET-SEAT SUPPORT RH	-----	-----	-----	-----	-----	-----	1	
	0711665-1	BRACKET-SEAT SUPPORT LH	-----	-----	-----	-----	-----	-----	1	
- 8	0711604-11	GUSSET-LH	-----	-----	-----	-----	-----	-----	1	
	0711604-12	GUSSET-RH	-----	-----	-----	-----	-----	-----	1	
- 9	0711605-201	SPAR ASSY-REAR	-----	-----	-----	-----	-----	-----	1	A E F
	0711605-202	SPAR ASSY-REAR	-----	-----	-----	-----	-----	-----	1	
	0711605-203	SPAR ASSY-REAR	-----	-----	-----	-----	-----	-----	1	
-10	0512137	BRACKET-PULLEY	-----	-----	-----	-----	-----	-----	1	
-11	NAS680A3	NUTPLATE	-----	-----	-----	-----	-----	-----	1	
-12	0762047-2	GUIDE	-----	-----	-----	-----	-----	-----	1	A B
	0762053-1	GUIDE-FLAP FOLLOW UP	-----	-----	-----	-----	-----	-----	1	
-13	0711606-5	FITTING-SPAR AFT LH	-----	-----	-----	-----	-----	-----	1	
	0711606-6	FITTING-SPAR AFT RH	-----	-----	-----	-----	-----	-----	1	
-14	0422229-12	FITTING-SPAR FWD LH	-----	-----	-----	-----	-----	-----	1	
	0422229-13	FITTING-SPAR FWD RH	-----	-----	-----	-----	-----	-----	1	
-15	0711604-56	DOUBLER ASSY-LH DOORPOST	-----	-----	-----	-----	-----	-----	1	
	0711604-55	DOUBLER ASSY-RH DOORPOST	-----	-----	-----	-----	-----	-----	1	
	NAS686A3	NUTPLATE	-----	-----	-----	-----	-----	-----	3	
-16	0711694-15	CLUTCH ASSY-LH DOORPOST	-----	-----	-----	-----	-----	-----	1	C C C D D D D D
	0711694-11	CLUTCH ASSY-LH DOORPOST	-----	-----	-----	-----	-----	-----	1	
	0711694-16	CLUTCH ASSY-RH DOORPOST	-----	-----	-----	-----	-----	-----	1	
	0711694-12	CLUTCH ASSY-RH DOORPOST	-----	-----	-----	-----	-----	-----	1	
	0711694-27	CLUTCH ASSY-LH DOORPOST	-----	-----	-----	-----	-----	-----	1	
	0711694-25	CLUTCH ASSY-LH DOORPOST	-----	-----	-----	-----	-----	-----	1	
	0711694-28	CLUTCH ASSY-RH DOORPOST	-----	-----	-----	-----	-----	-----	1	
	0711694-26	CLUTCH ASSY-RH DOORPOST	-----	-----	-----	-----	-----	-----	1	
-17	0711695-14	SHIM	-----	-----	-----	-----	-----	-----	1	
-18	0711695-13	GUIDE	-----	-----	-----	-----	-----	-----	1	
		ATTACHING PARTS								
-19	NAS221-15	SCREW	-----	-----	-----	-----	-----	-----	3	
		-----*								
-20	0711695-11	COVER-LH CLUTCH ASSY	-----	-----	-----	-----	-----	-----	1	
	0711695-12	COVER-RH CLUTCH ASSY	-----	-----	-----	-----	-----	-----	1	
		ATTACHING PARTS								
-21	NAS221-5	SCREW	-----	-----	-----	-----	-----	-----	4	
		-----*								
-22	0762044-1	BRACKET	-----	-----	-----	-----	-----	-----	1	
-23	NAS680A4	NUTPLATE	-----	-----	-----	-----	-----	-----	1	
-24	0711604-53	DOUBLER-LH	-----	-----	-----	-----	-----	-----	1	
	0711604-52	DOUBLER-RH	-----	-----	-----	-----	-----	-----	1	
<p>A---182 SERIAL 18262466 THRU 18263475            B---182 SERIAL 18263476 THRU 18267715                  F182 SERIAL F18200001 THRU F18200169            C---182 SERIAL 18262466 THRU 18265252            D---182 SERIAL 18265253 THRU 18267715            E---182 SERIAL 18263476 THRU 18265965                  F182 SERIAL F18200001 THRU F18200064            F---182 SERIAL 18265966 THRU 18267715                  F182 SERIAL F18200065 THRU F18200169</p>										

# 182 & T182 Parts Catalog

Fuselage (Cont)



**182 & T182 SERIAL 18267716 & ON**

Figure 43. Rear Doorpost Bulkhead Assembly

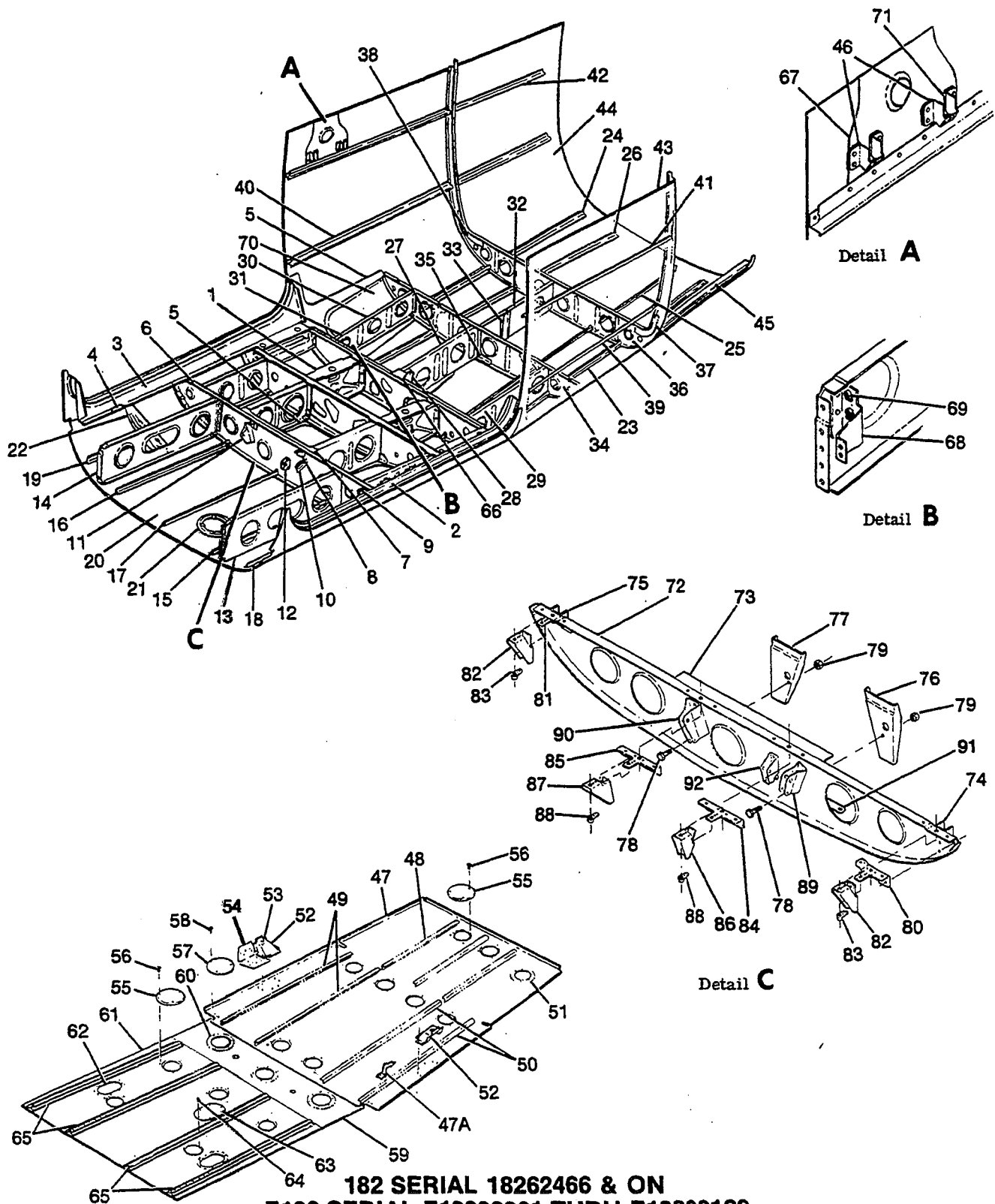
# 182 & T182 Parts Catalog

FIGURE AND INDEX NO.	PART NUMBER	DESCRIPTION	UNITS PER ASSY							USABLE ON CODE
			1	2	3	4	5	6	7	
43 -	0711604-218	BULKHEAD ASSEMBLY-REAR DOORPOST -----							1	A
	0711604-221	BULKHEAD ASSEMBLY-REAR DOORPOST -----							1	
		ATTACHING PARTS								
- 1	NAS178-8-8	RIVET-HI SHEAR -----							4	
- 2	NAS178-8-7	RIVET-HI SHEAR -----							10	
		*-----								
- 3	0711604-219	CHANNEL ASSY-REAR DOORPOST LH -----							1	
- 4	0711604-220	CHANNEL ASSY-REAR DOORPOST RH -----							1	
- 5	S1863-3	NUTPLATE -----							2	
- 6	S1863-2	NUTPLATE -----							3	
- 7	NAS683A3	NUTPLATE -----							4	
- 8	0711665-2	BRACKET-SEAT SUPPORT RH -----							1	
	0711665-1	BRACKET-SEAT SUPPORT LH -----							1	
- 9	0711604-11	GUSSET-LH -----							1	
	0711604-12	GUSSET-RH -----							1	
-10	0711605-203	SPAR ASSY-CARRY THRU REAR -----							1	A
	0711605-204	SPAR ASSY-CARRY THRU REAR -----							1	
-11	0512137	BRACKET-PULLTY -----							1	
-12	NAS686A3	NUTPLATE -----							1	
-13	NAS697A08	NUTPLATE -----							4	A
-14	NAS697A3	NUTPLATE -----							2	
-15	0762053-1	GUIDE-FLAP FOLLOW UP -----							1	
-16	0711606-5	FITTING-SPAR AFT LH -----							1	
	0711606-6	FITTING-SPAR AFT RH -----							1	
-17	0422229-12	FITTING-SPAR FWD LH -----							1	
	0422229-13	FITTING-SPAR FWD RH -----							1	
-18	0711604-71	DOUBLER ASSY-LH DOORPOST -----							1	
	0711604-72	DOUBLER ASSY-RH DOORPOST -----							1	
-19	NAS686A3	NUTPLATE -----							2	
-20	1212147-1	SHIM -----							4	
-21	1212144-1	STRIKER PLATE -----							2	
		ATTACHING PARTS								
-22	NAS221-9	SCREW -----							4	
		*-----								
-23	1212145-1	COVER ASSY-STRIKER PLATE -----							2	
		ATTACHING PARTS								
-24	AN507-1032R6	SCREW -----							8	
		*-----								
-25	1212146-1	ACTUATOR-DOOR LATCH -----							2	
-26	1212150-1	SHIM -----							AR	
-27	0762044-1	BRACKET -----							1	
-28	NAS680A4	NUTPLATE -----							1	
-29	0711604-53	DOUBLER-LH -----							1	
	0711604-52	DOUBLER-RH -----							1	
	NAS682A08	NUTPLATE -----							4	

A---182 & T182 SERIAL 18267716 THRU 18268293  
 B---182 & T182 SERIAL 18268294 & ON

# 182 & T182 Parts Catalog

Fuselage (Cont)



**182 SERIAL 18262466 & ON**  
**F182 SERIAL F18200001 THRU F18200169**  
**T182 SERIAL 18267716 & ON**

Figure 44. Lower Cabin Section Assembly

# 182 & T182 Parts Catalog

FIGURE AND INDEX NO.	PART NUMBER	DESCRIPTION							UNITS PER ASSY	USABLE ON CODE
		1	2	3	4	5	6	7		
44 -		LOWER CABIN SECTION ASSY -----							1	A
		LOWER CABIN SECTION ASSY -----							1	B
- 1	0710700-4	BELLY DOUBLER-RH -----							1	
	SEE FIG 45	BULKHEAD ASSY-LANDING GEAR STA 45.00 TO STA 65.33 -----							1	
- 2	0710705-1	SHIM-DOUBLER TO SKIN STA 65.33 1LH & 1RH -----							2	
	0710606-9	SILL ASSY-LOWER CABIN DOOR LH -----							1	A
	0710606-15	SILL ASSY-LOWER CABIN DOOR LH -----							1	C
	0710036-1	SILL ASSY-LOWER CABIN DOOR LH -----							1	D
- 3	0710606-10	SILL ASSY-LOWER CABIN DOOR RH -----							1	A
	0710606-16	SILL ASSY-LOWER CABIN DOOR RH -----							1	C
	0710036-2	SILL ASSY-LOWER CABIN DOOR RH -----							1	D
- 4	0710612-6	SUPPORT-LOWER DOOR SILL RH -----							1	A
	0710612-8	SUPPORT-LOWER DOOR SILL RH -----							1	B
	0710612-5	SUPPORT-LOWER DOOR SILL LH -----							1	B
	0710612-7	SUPPORT-LOWER DOOR SILL LH -----							1	A
- 5	0710700-5	DOUBLER-FUSELAGE CENTER SECTION -----							1	A
- 6	0710610-7	BULKHEAD ASSY-STA 45.0 -----							1	A
- 7	0710610-6	REINFORCEMENT-STA 45.0 -----							1	A
- 8	0710613-1	SUPPORT-SAFETY BELT FITTING -----							2	A
- 9	0710656-1	SUPPORT ASSY-LH -----							1	A
	0710656-2	SUPPORT ASSY-RH -----							1	A
	NAS698A3	NUTPLATE -----							1	A
	NAS697A3	NUTPLATE -----							4	A
	0710657-1	SUPPORT -----							1	A
	0710657-2	BRACE -----							1	A
	0713702-1	CLIP-BRAKE LINE SUPPORT LH SIDE ONLY -----							1	A
-10	0760143-1	BRACKET-UP ELEVATOR PULLEY LH -----							1	A
-11	0712639-3	BRACKET-DOWN ELEVATOR PULLEY RH -----							1	A
		ATTACHING PARTS -----								
	AN3-3A	BOLT -----							1	A
	MS21044N3	NUT -----							1	A
		-----*								
-12	0760137-1	BRACKET-ELEVATOR TAB CONTROL PULLEY -----							1	A
-13	0710702-1	LONGITUDINAL BULKHEAD-LH -----							1	
-14	0710702-2	LONGITUDINAL BULKHEAD-RH -----							1	
-15	0710703-1	STRINGER-INBD LH -----							1	
-16	0710703-2	STRINGER-INBD RH -----							1	
-17	0710614-5	STRINGER-CENTER LOWER -----							1	
-18	0710703-3	STRINGER-OUTBD LH -----							1	
-19	0710703-4	STRINGER-OUTBD RH -----							1	
-20	0710700-2	SKIN-CENTER SECTION -----							1	J
	0710700-16	SKIN-CENTER SECTION -----							1	K
-21	S226-3	DOUBLER-INSPECTION PLATE -----							1	J
	S225-1	PLATE-INSPECTION -----							1	J
		ATTACHING PARTS -----								
	S102178-6	SCREW -----							3	J
	NAS395-14-3	NUTPLATE -----							3	J
		-----*								
-22	0710704-2	BULKHEAD STUB-RH STA 36.40 -----							1	
	0710704-1	BULKHEAD STUB-LH STA 36.40 -----							1	
-23	0711688-11	STIFFENER-BELLY SKIN LH -----							1	
-24	0711688-12	STIFFENER-BELLY SKIN RH -----							1	
-25	0711688-17	STRINGER ASSY-BELLY LH -----							1	
-26	0711688-18	STRINGER ASSY-BELLY RH -----							1	
-27	0711614-7	BULKHEAD ASSY STA 65.33 TO STA 79.0 -----							1	
-28	0711614-9	BRACKET -----							1	
-29	0711613-5	BULKHEAD-OUTBD LH STA 65.33 TO STA 79.0 -----							1	
-30	0711613-6	BULKHEAD-OUTBD RH STA 65.33 TO STA 79.0 -----							1	
-31	NAS680A4	NUTPLATE -----							2	
-32	0712759-5	BULKHEAD ASSY-SEAT SUPPORT -----							1	
-33	0712758-1	BRACKET ASSY -----							1	
	NAS1068A4	NUTPLATE -----							2	
-34	0711611-2	BULKHEAD ASSY STA 79.00 -----							1	
-35	0711647-1	DOUBLER -----							1	
-36	0711674-3	BULKHEAD ASSY STA 92.00 -----							1	
-37	0712640-7	STIFFENER ASSY WEU 0712640-9 -----							1	
	0712640-9	STIFFENER ASSY -----							1	
-38	0712640-8	STIFFENER ASSY WEU 0712640-10 -----							1	
	0712640-10	STIFFENER ASSY -----							1	
	MS21044N3	NUTPLATE -----							1	

CONTINUED ON NEXT PAGE



# 182 & T182 Parts Catalog

FIGURE AND INDEX NO.	PART NUMBER	DESCRIPTION	UNITS PER ASSY							USABLE ON CODE
			1	2	3	4	5	6	7	
44 -39	0711688-13	STRINGER-LOWER LH -----	1							
-40	0711688-14	STRINGER-LOWER RH -----	1							
-41	0711688-7	STRINGER-LH -----	1							
-42	0711688-8	STRINGER-RH -----	1							
-43	0711800-4	SKIN-LOWER STA 65.33 TO STA 92.00 WEU 0711800-16 -----	1							
	0711800-16	SKIN-LOWER STA 65.33 TO STA 92.00 -----	1							
-44	0711800-3	SKIN-LOWER STA 92.00 TO STA 110.00 -----	1							
-45	0711620-1	DOOR SILL-LOWER BAGGAGE -----	1							
-46	0700688-1	SUPPORT ASSY-ARM REST -----	4							E F G H H
	0700688-3	SUPPORT ASSY-ARMREST -----	4							
-47	0711608-14	FLOORBOARD ASSY-AFT CABIN -----	1							
	0711608-16	FLOORBOARD ASSY-AFT CABIN -----	1							
-47A	2214016-1	CLIP ASSY-TOW BAR STOWAGE -----	1							
-48	0711608-4	STRINGER -----	3							
-49	0711608-11	STRINGER-LH -----	2							
-50	0711608-12	STRINGER-RH -----	2							
-51	S1209-1	DOUBLER ASSY -----	2							
-52	0711632-7	SUPPORT ASSY-REAR SEAT -----	2							
-53	NAS1068A4	NUTPLATE-FLOATING -----	1							
-54	0712665-2	DOUBLER-RH -----	1							
	0712665-1	DOUBLER-LH -----	1							
-55	S225-1	PLATE-INSPECTION COVER -----	13							
		ATTACHING PARTS -----								
-56	S1878-1	STUD -----	3							
		*-----								
-57	S225-7	PLATE-INSPECTION COVER -----	3							
		ATTACHING PARTS -----								
-58	AN515-8R6	SCREW -----	6							
		*-----								
-59	0710609-9	FLOORBOARD ASSY-CENTER -----	1							
-60	S1209-1	DOUBLER ASSY -----	3							
	NAS680A08K	NUTPLATE -----	6							
-61	0710609-7	FLOORBOARD ASSY-FWD -----	1							A B
	0710609-11	FLOORBOARD ASSY-FWD -----	1							
-62	0710634-1	DOUBLER ASSY -----	5							
	NAS680A08K	NUTPLATE -----	3							
-63	0710633-1	PLATE-COVER -----	2							
		ATTACHING PARTS -----								
-64	AN515-8R7	SCREW -----	6							
		*-----								
-65	0710658-2	SEAT RAIL -----	4							
-66	0711642-2	DOUBLER-SEAT ATTACH -----	1							
	NAS687A3	NUTPLATE -----	1							
-67	0711690-6	REINFORCEMENT PLATE-RH -----	1							
	0711690-5	REINFORCEMENT PLATE-LH -----	1							
-68	0762045-3	BRACKET ASSY -----	1							
-69	NAS1067N3	NUTPLATE -----	2							
-70	0710700-4	BELLY DOUBLER-RH WEU 0710700-10 -----	1							
	0710700-10	BELLY DOUBLER RH -----	1							
	0710700-3	BELLY DOUBLER-LH WEU 0710700-11 -----	1							
	0710700-11	BELLY DOUBLER-LH -----	1							
-71	0715054-1	SPACER -----	8							
-72	0710661-1	BULKHEAD ASSY-STA 45.00 -----	1							B B B B B
-73	0710661-3	REINFORCEMENT -----	1							
-74	0710664-1	DOUBLER LH-OUTBD SEAT BELT ATTACH -----	1							
-75	0710664-2	DOUBLER RH-OUTBD SEAT BELT ATTACH -----	1							
-76	0710663-1	DOUBLER LH-INBD SEAT BELT ATTACH -----	1							
-77	0710663-2	DOUBLER RH-INBD SEAT BELT ATTACH -----	1							
		ATTACHING PARTS -----								
-78	AN3-4A	BOLT -----	1							
-79	MS21044N3	NUT -----	1							
		*-----								
-80	1210427-13	STIFFENER ASSY LH OUTBD-SEAT BELT ATTACH -----	1							B B B B B
-81	1210427-14	STIFFENER ASSY RH OUTBD-SEAT BELT ATTACH -----	1							
-82	0710662-3	BRACKET OUTBD-SEAT BELT -----	2							
-83	NAS696A4	NUTPLATE -----	2							
-84	1210427-9	STIFFENER ASSY LH INBD-SEAT BELT ATTACH -----	1							
-85	1210427-10	STIFFENER ASSY RH INBD-SEAT BELT ATTACH -----	1							
-86	0710662-1	BRACKET LH INBD-SEAT BELT -----	1							
-87	0710662-2	BRACKET RH INBD-SEAT BELT -----	1							
-88	NAS696A4	NUTPLATE -----	2							

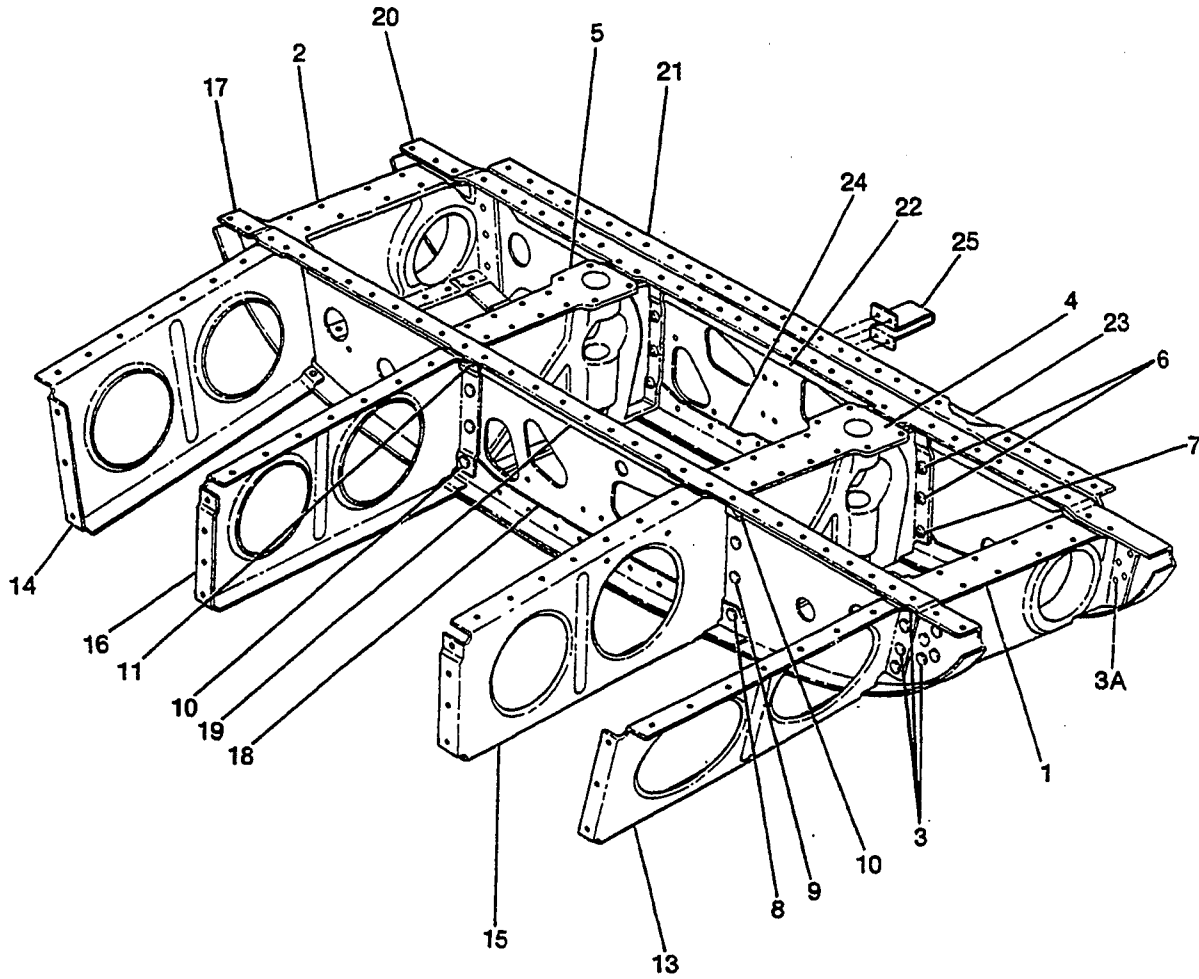
CONTINUED ON NEXT PAGE

# 182 & T182 Parts Catalog

FIGURE AND INDEX NO.	PART NUMBER	DESCRIPTION							UNITS PER ASSY	USABLE ON CODE	
		1	2	3	4	5	6	7			
44	-89	0760143-1	BRACKET-ELEVATOR PULLEY UP -----							1	B
	-90	0760142-1	BRACKET-ELEVATOR PULLEY DOWN -----							1	B
	-91	0713702-1	CLIP-BRAKE LINE SUPPORT LH SIDE ONLY -----							1	B
	-92	0760137-1	BRACKET-ELEVATOR TAB CONTROL PULLEY -----							1	B
		<p>A---182 SERIAL 18262466 THRU 18263475</p> <p>B---182 SERIAL 18263475 &amp; ON  F182 SERIAL F18200001 THRU F18200169  T182 SERIAL 18267716 &amp; ON</p> <p>C---182 SERIAL 18263475 THRU 18264385</p> <p>D---182 SERIAL 18264386 &amp; ON  T182 SERIAL 18267716 &amp; ON  F182 SERIAL F18200001 THRU F18200169</p> <p>E---182 SERIAL 18262466 THRU 18265965  F182 SERIAL F18200001 THRU F18200064</p> <p>F---182 SERIAL 18265966 &amp; ON  T182 SERIAL 18267716 &amp; ON  F182 SERIAL F18200065 THRU F18200169</p> <p>G---182 SERIAL 18262466 THRU 18268055  T182 SERIAL 18267716 THRU 18268055</p> <p>H---182 &amp; T182 SERIAL 18268056 &amp; ON</p> <p>J---182 SERIAL 18262466 THRU 18268434  F182 SERIAL F18200001 THRU F18200169  T182 SERIAL 18267716 THRU 18268434</p> <p>K---182 &amp; T182 SERIAL 18268435 &amp; ON</p>									

# 182 & T182 Parts Catalog

Fuselage (Cont)



**182 SERIAL 18262466 & ON**  
**F182 SERIAL F18200001 THRU F18200169**  
**T182 SERIAL 18267716 & ON**

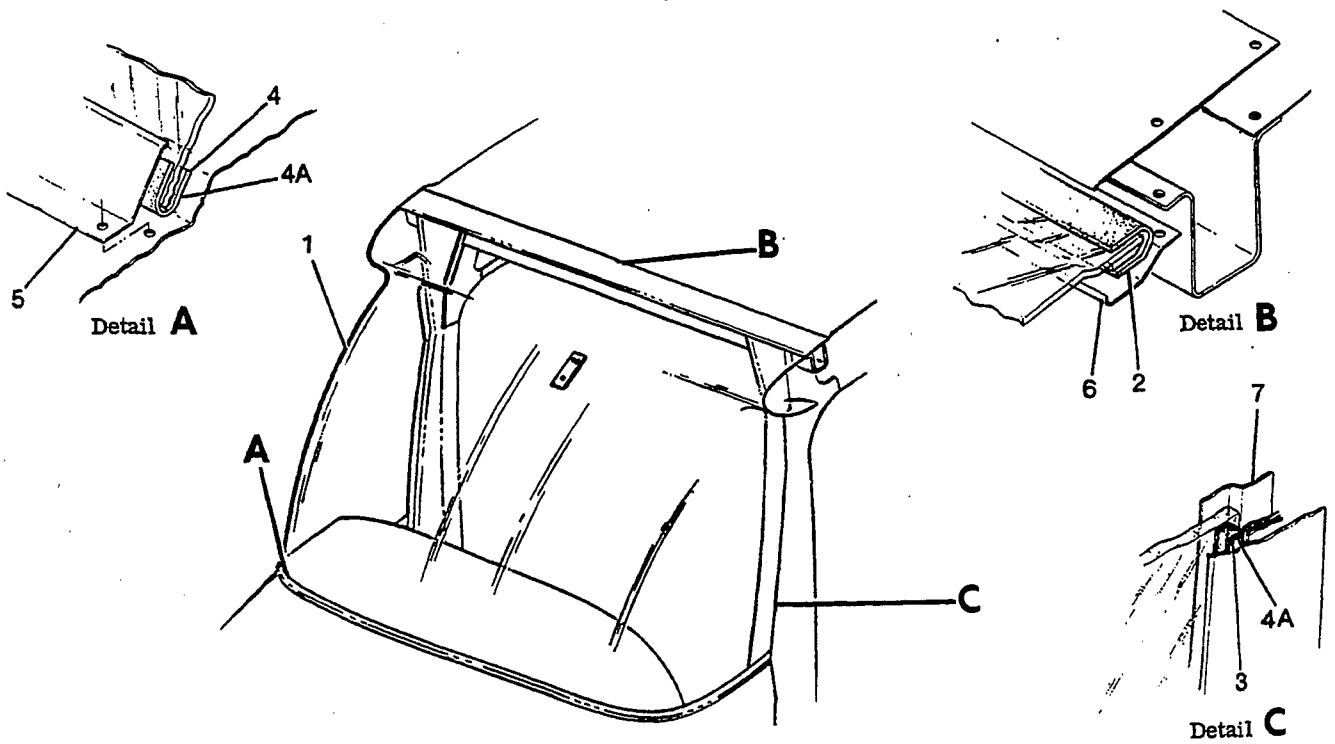
Figure 45. Landing Gear Bulkhead Assembly

# 182 & T182 Parts Catalog

FIGURE AND INDEX NO.	PART NUMBER	DESCRIPTION							UNITS PER ASSY	USABLE ON CODE
		1	2	3	4	5	6	7		
45 -	0710700-200	BULKHEAD ASSEMBLY-LANDING GEAR STA.45.00 TO STA.65.33 -----							1	A
- 1	0710700-213	BULKHEAD ASSEMBLY-LANDING GEAR STA. 45.00 TO STA. 65.33 -----							1	B
- 2	0741627-1	SUPPORT-OUTBOARD LANDING GEAR LH -----							1	
	0741627-2	SUPPORT-OUTBOARD LANDING GEAR RH -----							1	
		ATTACHING PARTS								
- 3	NAS1054-8-6	RIVET-HI SHEAR FORWARD -----							8	
	NAS1448-06	PIN ALT FWD -----							8	
	NAS179-8	COLLAR -----							8	
	NAS1080C08	COLLAR ALT USED WITH S1448 PIN ONLY -----							8	
- 3A	NAS1054-8-10	RIVET-HI SHEAR AFT -----							8	
	NAS179-8	COLLAR -----							8	
		-----*								
- 4	0741626-1	SUPPORT-INBOARD LANDING GEAR LH -----							1	
- 5	0741626-2	SUPPORT-INBOARD LANDING GEAR RH -----							1	
		ATTACHING PARTS								
- 6	NAS1054-8-8	RIVET-HI SHEAR MIDDLE AFT -----							4	
	NAS179-8	COLLAR -----							4	
- 7	NAS1054-8-12	RIVET-HI SHEAR 2 UPPER & 2 LWR AFT -----							4	
	NAS179-8	COLLAR -----							4	
- 8	NAS1054-8-8	RIVET-HI SHEAR OUTBD FWD -----							1	
	NAS1448-08	PIN ALT OUTBD FWD -----							1	
	NAS179-8	COLLAR -----							1	
	NAS1080C08	COLLAR USED WITH S1448 P/N ONLY -----							1	
- 9	NAS105-8-6	RIVET-HI SHEAR MIDDLE FWD -----							4	
	NAS1448-06	PIN ALT MIDDLE FWD -----							4	
	NAS179-8	COLLAR -----							4	
	NAS1080C08	COLLAR USED WITH S1448 P/N ONLY -----							4	
- 10	NAS1054-8-9	RIVET-HI SHEAR UPPER OUTBD & LWR INBD FWD -----							2	
	NAS1448-09	PIN ALT UPPER OUTBD & LWR INBD FWD -----							2	
	NAS179-8	COLLAR -----							2	
	NAS1080C08	COLLAR USED WITH S1448 P/N ONLY -----							2	
- 11	NAS1054-8-10	RIVET-HI SHEAR UPPER INBD FWD -----							1	
	NAS179-8	COLLAR -----							1	
- 12	NAS179-8	DELETED NOT USED -----								
		-----*								
- 13	0710616-1	BULKHEAD-OUTBOARD LH -----							1	
- 14	0710616-2	BULKHEAD-OUTBOARD RH -----							1	
- 15	0710615-1	BULKHEAD-INBOARD LH -----							1	
- 16	0710615-2	BULKHEAD-INBOARD RH -----							1	
- 17	0710611-4	BULKHEAD ASSEMBLY-STA 56.70 -----							1	
- 18	0710608-1	REINFORCEMENT -----							1	
- 19	0710611-3	ANGLE -----							1	
	0710701-1	BULKHEAD ASSEMBLY-STA 65.33 -----							1	
	0710701-10	BULKHEAD ASSEMBLY-STA 65.33 -----							1	
- 20	0710701-2	BULKHEAD-FORWARD -----							1	A
	0710701-8	BULKHEAD-FORWARD -----							1	B
- 21	0710701-3	BULKHEAD-AFT -----							1	B
	0710701-9	BULKHEAD-AFT -----							1	A
- 22	0710701-4	REINFORCEMENT-UPPER FORWARD -----							1	B
- 23	0710701-5	REINFORCEMENT-UPPER AFT -----							1	B
- 24	0710701-6	REINFORCEMENT-LOWER FORWARD -----							1	B
	0710701-7	REINFORCEMENT-LOWER AFT -----							1	B
- 25	0762043-2	BRACKET-PULLEY -----							1	B
		A---182 SERIAL 18262466 THRU 18268293 F182 SERIAL F18200001 THRU F18200169 T182 SERIAL 18267716 THRU 18268293 B---182 & T182 SERIAL 18268294 & ON								

# 182 & T182 Parts Catalog

Fuselage (Cont)

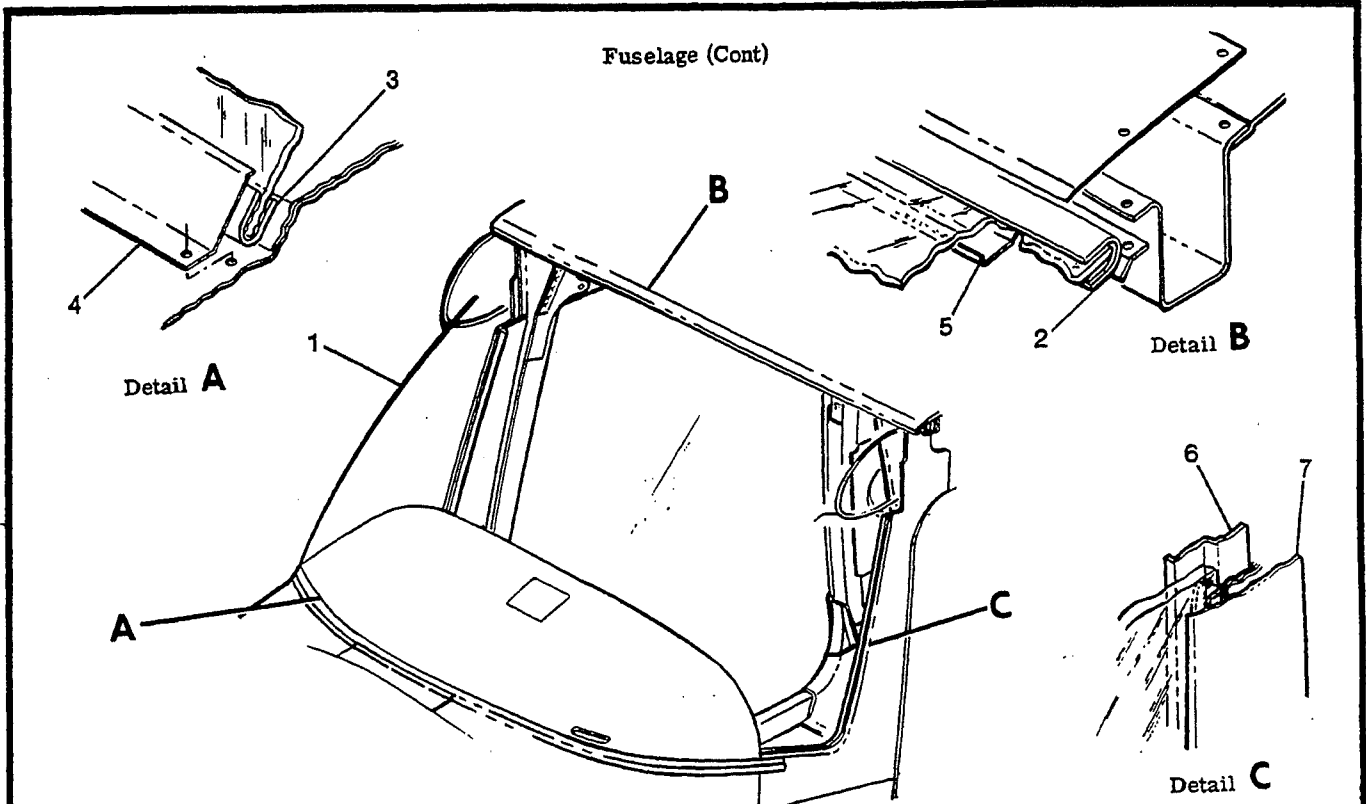


182 SERIAL 18262466 THRU 18265965  
F182 SERIAL F18200001 THRU F18200064

Figure 46. Windshield Installation

FIGURE AND INDEX NO.	PART NUMBER	DESCRIPTION							UNITS PER ASSY	USABLE ON CODE
		1	2	3	4	5	6	7		
46 -		<b>WINDSHIELD INSTALLATION</b> -----							NP	A
- 1	0713334-2	WINDSHIELD ASSEMBLY-TINTED -----							1	B
	0713538-1	WINDSHIELD ASSEMBLY-TINTED -----							1	C
- 2	S1389-2	SEAL-UPPER 46.50 IN LG BKT REF S1389-2-46.50 -----							1	D
- 3	S1389-7	SEAL-SIDE 18.50 IN LG BKT REF S1389-7-18.50 -----							2	D
- 4	S1389-2	SEAL-LOWER 77.50 IN LG BKT REF S1389-2-77.50 -----							1	E
- 4A	S1389-1	SEAL-114.50 IN LG BKT REF S1389-1-114.50 -----							1	E
- 5	0713788-3	RETAINER-WINDSHIELD -----							1	
- 6	0713822-1	RETAINER-WINDSHIELD -----							1	
- 7	0713609-5	RETAINER-INNER LH -----							1	
	0713609-6	RETAINER-INNER RH -----							1	
		A---182 SERIAL 18262466 THRU 18265965 F182 SERIAL F18200001 THRU F18200064 B---182 SERIAL 18262466 THRU 18264295 C---182 SERIAL 18264296 THRU 18265965 F182 SERIAL F18200001 THRU F18200064 D---182 SERIAL 18262466 THRU 18265911 F182 SERIAL F18200001 THRU F18200064 E---182 SERIAL 18265912 THRU 18265965								

# 182 & T182 Parts Catalog



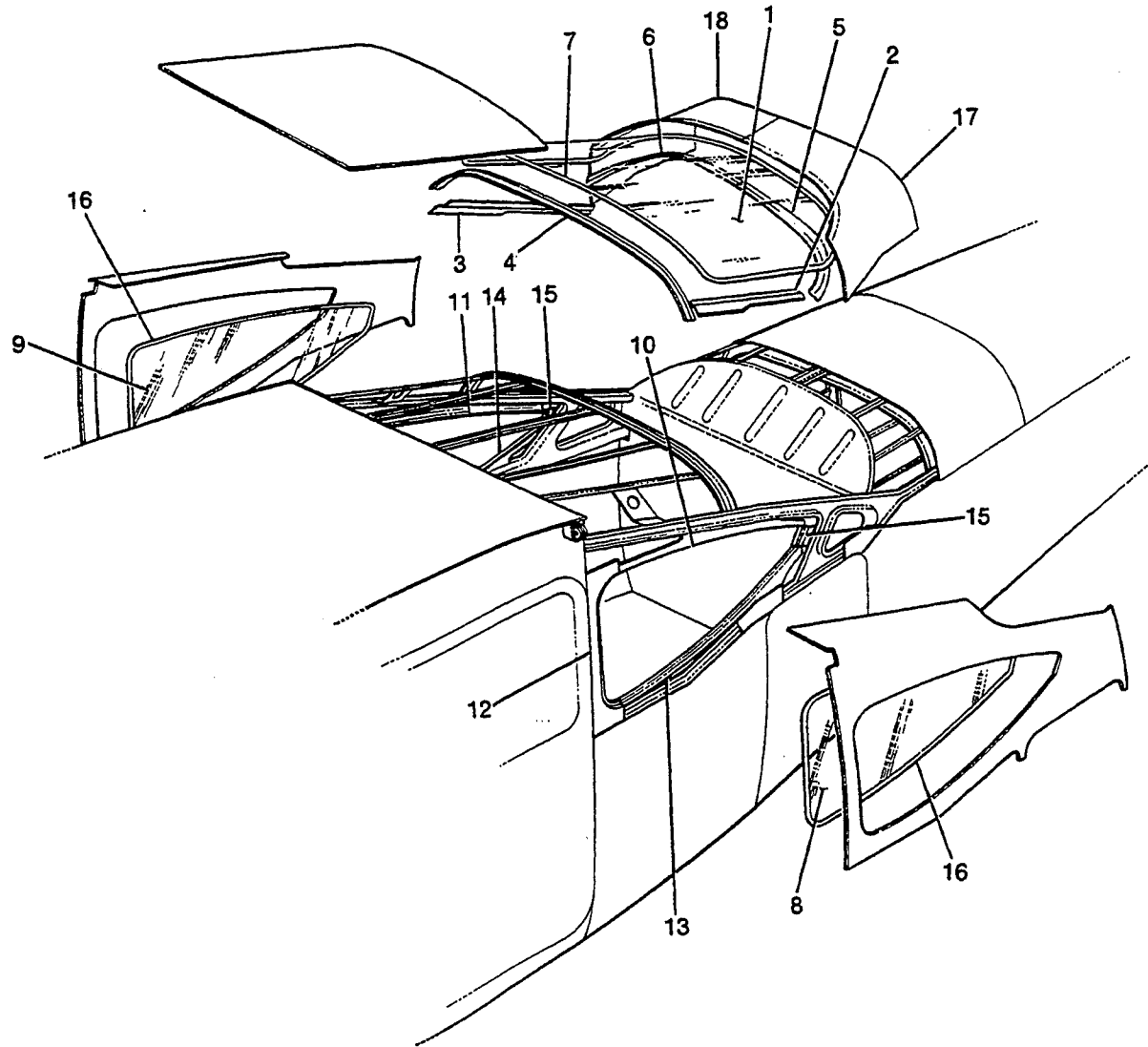
**182 SERIAL 18265966 & ON  
F182 SERIAL F1820065 THRU F18200169  
T182 SERIAL 18267716 & ON**

Figure 47. Windshield Installation

FIGURE AND INDEX NO.	PART NUMBER	DESCRIPTION							UNITS PER ASSY	USABLE ON CODE
		1	2	3	4	5	6	7		
47 -		<b>WINDSHIELD INSTALLATION</b> -----							NP	A
- 1	0713538-3	WINDSHIELD ASSY-TINTED -----							1	
- 2	S1389-2	SEAL-UPPER 46.50 IN LG BKI -----							1	
- 3	S1389-1	SEAL-LOWER 114.50 IN LG BKI -----							1	
- 4	0713788-5	RETAINER-WINDSHIELD -----							1	
- 5	0713822-1	RETAINER-WINDSHIELD -----							1	
- 6	2213081-1	RETAINER-INNER LH -----							1	
- 6	2213081-2	RETAINER-INNER RH -----							1	
- 7	2213082-1	RETAINER-OUTER LH -----							1	
- 7	2213082-2	RETAINER-OUTER RH -----							1	
		A---182 SERIAL 18265966 & ON T182 SERIAL 18267716 & ON F182 SERIAL F1820065 THRU F18200169								

# 182 & T182 Parts Catalog

Fuselage (Cont)



**182 SERIAL 18262466 THRU 18267715**  
**F182 SERIAL F1820001 THRU F18200169**

Figure 48. Aft Cabin Windows Installation

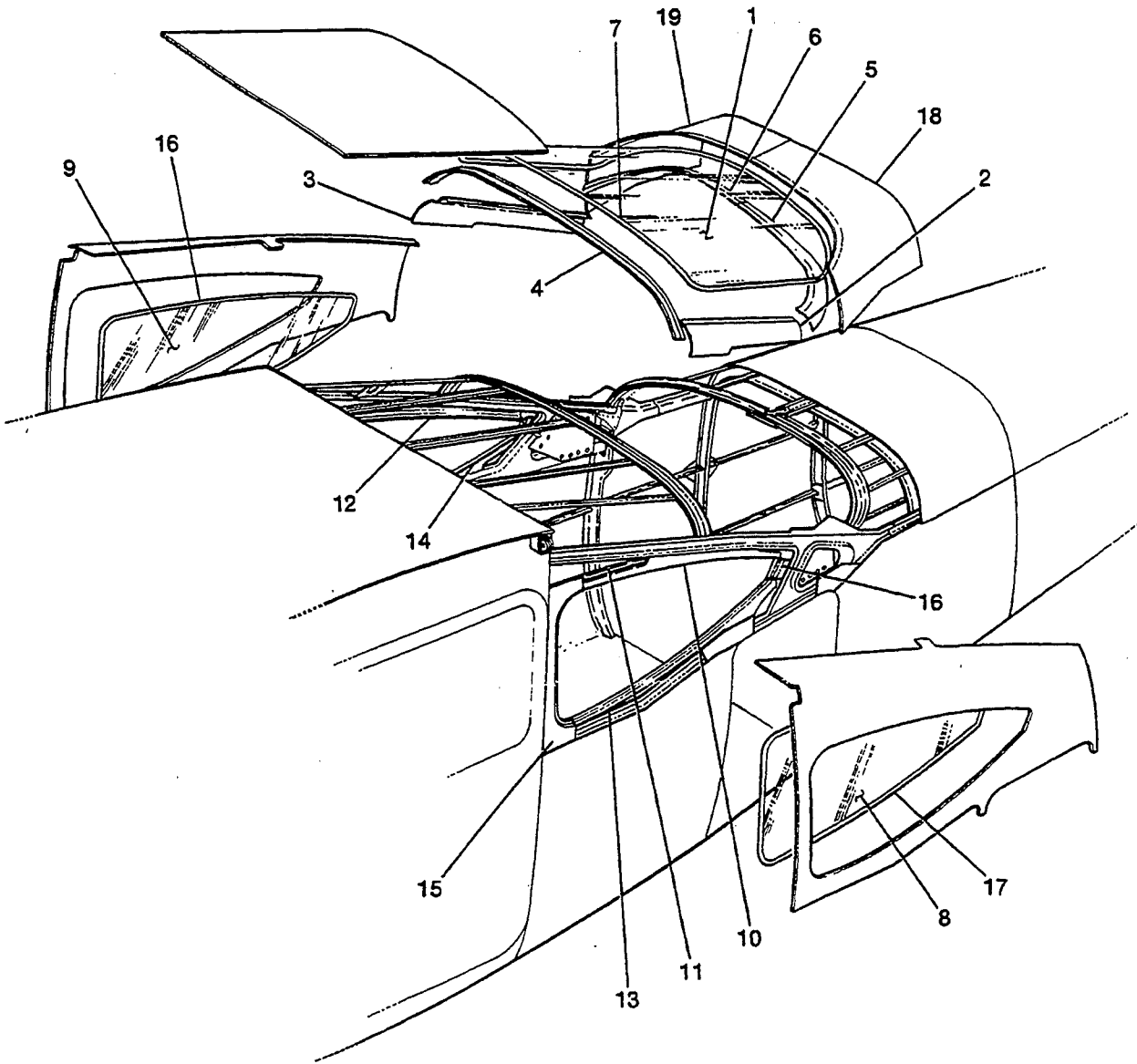
# 182 & T182 Parts Catalog

FIGURE AND INDEX NO.	PART NUMBER	DESCRIPTION						UNITS PER ASSY	USABLE ON CODE
		1	2	3	4	5	6		
48 -		AFT CABIN WINDOWS INSTALLATION -----						NP	A
- 1	0711800-10	WINDOW-REAR -----						1	B
	0711800-18	WINDOW-REAR -----						1	C
		ATTACHING PARTS							
- 2	0711681-3	RETAINER-LH -----						1	B
	2211025-1	RETAINER-LH -----						1	C
- 3	0711681-4	RETAINER-RH -----						1	B
	2211075-2	RETAINER-RH -----						1	C
- 4	0711681-1	RETAINER-UPPER FWD -----						1	
- 5	0712651-1	RETAINER-REAR LH -----						1	B
	2211076-1	RETAINER-REAR LH -----						1	C
- 6	0712651-2	RETAINER-REAR RH -----						1	B
	2211076-2	RETAINER-REAR RH -----						1	C
		*-----							
- 7	S1389-1	SEAL-WINDOW -----						1	
- 8	0711800-11	WINDOW-SIDE LH -----						1	
- 9	0711800-12	WINDOW-SIDE RH -----						1	
		ATTACHING PARTS							
-10	0711680-3	RETAINER-LH UPPER -----						1	
	0700705-3	RETAINER ASSY-HEADLINER LH -----						1	B
	2215044-1	RETAINER ASSY-HEADLINER LH -----						1	C
-11	0711680-4	RETAINER-RH UPPER -----						1	
	0700705-4	RETAINER ASSY-HEADLINER RH -----						1	B
	2215044-2	RETAINER ASSY-HEADLINER RH -----						1	C
-12	0711615-1	RETAINER-LH FORWARD -----						1	
	0711615-2	RETAINER-RH FORWARD -----						1	
-13	0711680-1	RETAINER-LH LOWER -----						1	
-14	0711680-2	RETAINER-RH LOWER -----						1	
-15	0711680-5	RETAINER-AFT -----						2	
		*-----							
-16	S1166-1	SEAL-WINDOW 79.0 IN LG BULK ITEM REF S1166-1-79.0 ---						2	
-17	0711800-7	SKIN-LH -----						1	B
	0711800-21	SKIN-LH -----						1	C
-18	0711800-8	SKIN-RH -----						1	B
	0711800-22	SKIN-RH -----						1	C
		A---182 SERIAL 18262466 THRU 18267715 F182 SERIAL F18200001 THRU F18200169 B---182 SERIAL 18262466 THRU 18267300 F182 SERIAL F18200001 THRU F18200129 C---182 SERIAL 18267301 THRU 18267715 F182 SERIAL F18200130 THRU F18200169							



# 182 & T182 Parts Catalog

Fuselage (Cont)



**182 & T182 SERIAL 18267716 & ON**

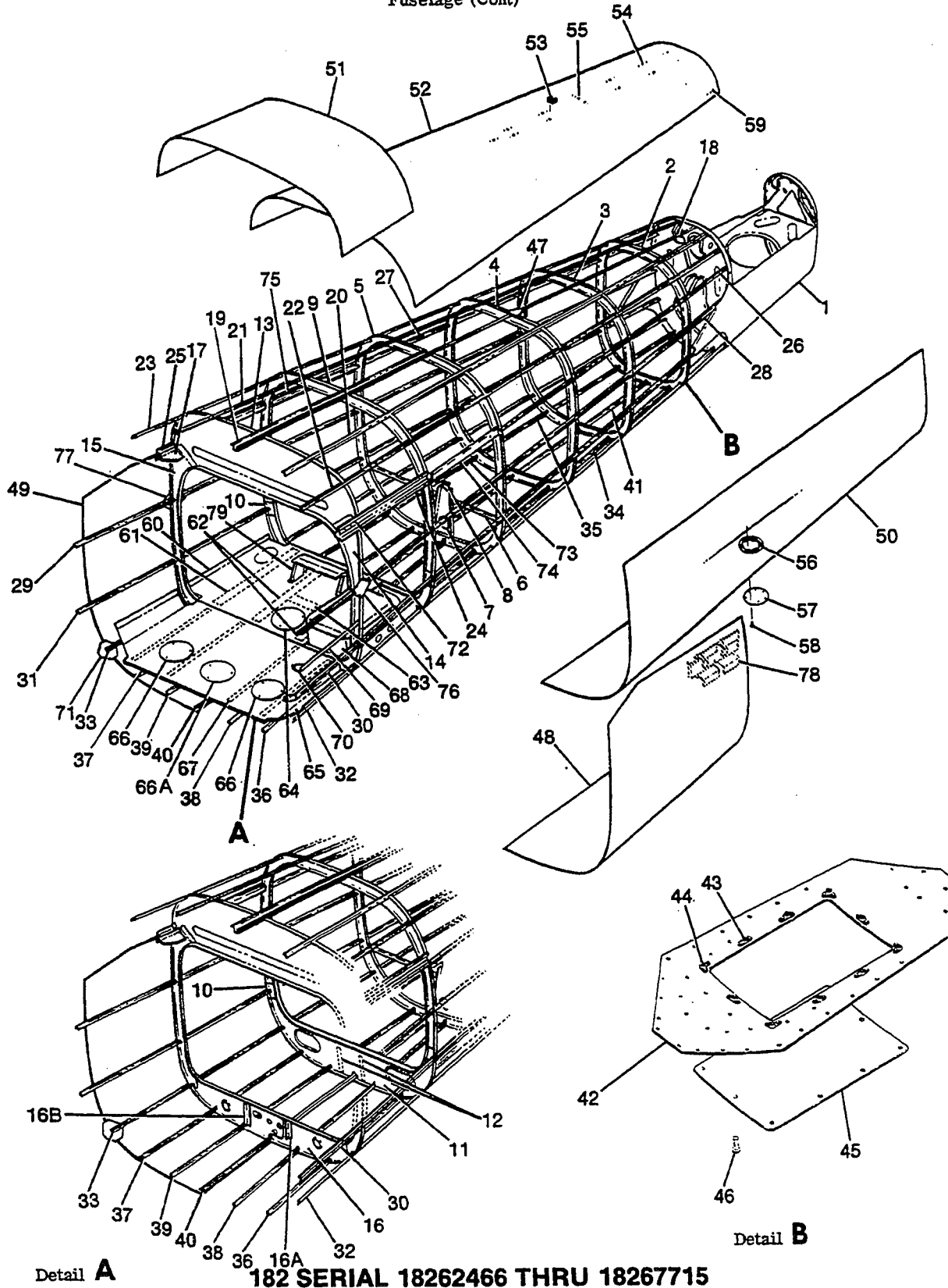
Figure 49. Aft Cabin Windows Installation

# 182 & T182 Parts Catalog

FIGURE AND INDEX NO.	PART NUMBER	DESCRIPTION							UNITS PER ASSY	USABLE ON CODE
		1	2	3	4	5	6	7		
49 -		AFT CABIN WINDOWS INSTALLATION -----							NP	A
- 1	0711800-18	WINDOW-REAR -----							1	
		ATTACHING PARTS -----								
- 2	2211075-1	RETAINER-LH -----							1	
- 3	2211075-2	RETAINER-RH -----							1	
- 4	0711681-1	RETAINER-UPPER FWD -----							1	
- 5	2211076-1	RETAINER-LH AFT -----							1	
- 6	2211076-2	RETAINER-RH AFT -----							1	
		-----*								
- 7	S1389-1	SEAL-WINDOW BKI REF S1389-1-118.00 IN LG -----							1	
- 8	0711800-11	WINDOW-SIDE LH -----							1	
- 9	0711800-12	WINDOW-SIDE RH -----							1	
		ATTACHING PARTS -----								
-10	0711680-3	RETAINER-LH UPPER -----							1	
-11	2215044-1	RETAINER ASSY-HEADLINER LH -----							1	
	NAS680A08	NUTPLATE -----							2	
	0715060-1	SUPPORT -----							1	
	0715060-2	SUPPORT -----							1	
-12	0711680-4	RETAINER-RH UPPER -----							1	
	2215044-2	RETAINER ASSY-HEADLINER RH -----							1	
	NAS680A08	NUTPLATE -----							2	
	0715060-1	SUPPORT -----							1	
	0715060-2	SUPPORT -----							1	
-13	0711680-1	RETAINER-LH LOWER -----							1	
-14	0711680-2	RETAINER-RH LOWER -----							1	
-15	0711615-1	RETAINER-LH FWD -----							1	
	0711615-2	RETAINER-RH FWD -----							1	
-16	0711680-5	RETAINER-AFT -----							1	
		-----*								
-17	S1166-1	SEAL-WINDOW 79.0 IN LG BKI REF S1166-1-79.0 -----							2	
-18	0711800-21	SKIN-LH -----							1	
-19	0711800-22	SKIN-RH -----							1	
A---182 & T182 SERIAL 18267716 & ON										

# 182 & T182 Parts Catalog

Fuselage (Cont)



**182 SERIAL 18262466 THRU 18267715**  
**F182 SERIAL F1820001 THRU F18200169**  
 Figure 50. Tailcone Assembly - Extended Baggage Compartment

# 182 & T182 Parts Catalog

FIGURE AND INDEX NO.	PART NUMBER	DESCRIPTION							UNITS PER ASSY	USABLE ON CODE
		1	2	3	4	5	6	7		
50 -	0712504-203	TAILCONE ASSEMBLY-FUSELAGE -----							1	A D E
	0712504-204	TAILCONE ASSEMBLY-FUSELAGE -----							1	
	0712504-205	TAILCONE ASSEMBLY-FUSELAGE -----							1	
- 1	SEE FIG 32	AFT TAILCONE ASSEMBLY-FUSELAGE STA. 209.00 TO 230.187 ---							1	
- 2	0712612-2	BULKHEAD-UPPER STA. 199.00 -----							1	
	0712612-3	BULKHEAD-LOWER LH STA. 199.00 -----							1	
	0712612-4	BULKHEAD-LOWER RH STA. 199.00 -----							1	
- 3	0712612-6	BULKHEAD-UPPER STA 185.50 -----							1	
	0712612-7	BULKHEAD-LOWER LH STA. 185.50 -----							1	
	0712612-8	BULKHEAD-LOWER RH STA. 185.50 -----							1	
- 4	0712611-2	BULKHEAD-UPPER STA. 172.00 -----							1	
	0712611-3	BULKHEAD-LOWER LH STA. 172.00 -----							1	
	NAS680A3	NUTPLATE -----							1	C C
	NAS221-7	SCREW LEVELING POINT -----							1	
	0712611-4	BULKHEAD-LOWER RH STA. 172.00 -----							1	
- 5	0712610-2	BULKHEAD-UPPER STA. 156.00 -----							1	
	0712610-3	BULKHEAD-LOWER LH STA. 156.00 -----							1	
	0712610-4	BULKHEAD-LOWER RH STA. 156.00 -----							1	
- 6	0712610-5	STIFFENER-PULLEY BRACKET -----							1	
- 7	0712613-2	BRACKET-STABILIZER TRIM -----							1	
- 8	0712613-4	BRACKET-TRIM TAB PULLEY -----							1	
- 9	0712609-7	BULKHEAD ASSEMBLY-UPPER STA. 140.00 -----							1	
-10	0712753-1	BRACKET-LH -----							1	
	0712753-2	BRACKET-RH -----							1	
-11	0712511-2	BULKHEAD-LWR STA. 140.00 WEU 0712511-4 -----							1	
	0712511-4	BULKHEAD-LWR STA. 140.00 -----							1	
	NAS221-7	SCREW LEVELING POINT -----							1	C
-12	0712516-1	STIFFENER -----							2	
	0712511-5	ANGLE-STIFFENER USED ON 0712511-4 ONLY -----							1	
-13	0712503-6	BULKHEAD-UPPER STA. 124.00 -----							1	
-14	0712503-3	BULKHEAD-LWR LH STA. 124.00 -----							1	
-15	0712503-4	BULKHEAD-LWR RH STA. 124.00 -----							1	
-16	0712503-5	BULKHEAD-LWR STA. 124.00 -----							1	
-16A	0712512-1	STIFFENER LH -----							1	
-16B	0712512-2	STIFFENER RH -----							1	
-17	0712517-2	BRACKET ASSEMBLY-RH -----							1	
	0712517-1	BRACKET ASSEMBLY-LH -----							1	
	NAS682A3	NUTPLATE -----							1	
-18	0712627-24	STRINGER-UPPER TAILCONE AFT -----							1	
-19	0712646-2	STRINGER-UPPER TAILCONE FWD -----							1	
-20	0712653-1	STRINGER-LH -----							1	
-21	0712653-2	STRINGER-RH -----							1	
-22	0712653-3	STRINGER-LH -----							1	
-23	0712653-4	STRINGER-RH -----							1	
-24	0712647-3	STRINGER-LH -----							1	
-25	0712647-4	STRINGER-RH -----							1	
-26	0712627-41	STRINGER-LH -----							1	
-27	0712627-42	STRINGER-RH -----							1	
-28	0712627-39	STRINGER-LH -----							1	
-29	0712627-40	STRINGER-RH -----							1	
-30	0712627-9	STRINGER-LH -----							1	
-31	0712627-10	STRINGER-RH -----							1	
-32	0712627-25	STRINGER-LH -----							1	
-33	0712627-26	STRINGER-RH -----							1	
-34	0712627-5	STRINGER-LH AFT -----							1	
-35	0712627-6	STRINGER-RH AFT -----							1	
-36	0712627-3	STRINGER-LH FWD -----							1	
-37	0712627-4	STRINGER-RH FWD -----							1	
-38	0712627-1	STRINGER-LH -----							1	
-39	0712627-2	STRINGER-RH -----							1	
-40	0712627-21	STRINGER-BOTTOM FORWARD -----							1	
-41	0712627-22	STRINGER-BOTTOM AFT -----							1	
-42	0712607-8	DOUBLER-ACCESS DOOR -----							1	
-43	NAS697A08	NUTPLATE -----							6	
-44	NAS698A08	NUTPLATE -----							4	
-45	0712607-9	DOOR-ACCESS -----							1	
		ATTACHING PARTS -----								
-46	NAS220-5	SCREW -----							10	
-47	0712527-1	DOUBLER -----							1	

CONTINUED ON NEXT PAGE

# 182 & T182 Parts Catalog

FIGURE AND INDEX NO.	PART NUMBER	DESCRIPTION	UNITS PER ASSY	USABLE ON CODE
		1 2 3 4 5 6 7		
50 -48	0712504-7	SKIN-LOWER FORWARD LH -----	1	
-49	0712504-4	SKIN-LOWER FORWARD R.H. -----	1	
-50	0712504-5	SKIN-LOWER AFT LH -----	1	
	0712504-6	SKIN-LOWER AFT RH -----	1	
-51	0712504-3	SKIN-UPPER FORWARD -----	1	
-52	0712504-10	SKIN-UPPER AFT -----	1	
-53	1231052-1	BRACKET ASSY-DORSAL FIN -----	1	
	NAS686A08	NUTPLATE -----	2	
-54	NAS680A08K	NUTPLATE -----	14	
-55	NAS696A08K	NUTPLATE -----	1	
	MS21073L08K	NUTPLATE -----	1	
-56	S1048-2	DOUBLER ASSEMBLY -----	1	
	NAS395-14-3	NUTPLATE -----	6	
-57	S225-5	PLATE INSPECTION -----	1	
		ATTACHING PARTS -----		
-58	S1021Z8-6	SCREW -----	6	
		-----*		
-59	S1862-1	NUTPLATE TIN -----	6	
-60	0712506-1	SHELF ASSEMBLY-RADIO -----	1	
-61	0712507-1	STIFFENER -----	1	
-62	0712507-2	STIFFENER -----	2	
-63	0712626-4	STIFFENER -----	1	
	S1741-1	ANCHOR -----	3	
	NAS1329A06K75	NUT -----	4	
-64	S225-1	PLATE -----	1	
		ATTACHING PARTS -----		
	S1878-1	STUD UC -----	3	
		-----*		
-65	0712514-1	FLOORBOARD ASSEMBLY -----	1	
-66	S225-1	PLATE -----	2	
		ATTACHING PARTS -----		
	S1878-1	STUD UC -----	3	
		-----*		
-66A	S225-7	PLATE -----	1	
		ATTACHING PARTS -----		
	S1878-1	STUD -----	3	
		-----*		
-67	0712510-1	STIFFENER -----	4	
-68	SEE FIG 52	BATTERY BOX INSTALLATION -----	1	A D E
	SEE FIG 53	BATTERY BOX INSTALLATION -----	1	
	SEE FIG 54	BATTERY BOX INSTALLATION -----	1	
-69	0712509-1	STIFFENER-LH -----	1	
-70	0712515-1	GUSSET-LH -----	1	
-71	0712607-6	GUSSET-RH -----	1	
-72	CR163-4-4	RIVET-CHERRY -----	4	
-73	CR163-4-2	RIVET-CHERRY -----	9	
-74	0712520-1	STIFFENER-LH -----	1	
-75	0712520-2	STIFFENER-RH -----	1	
-76	0712519-1	GUSSET-LH -----	1	
-77	0712519-2	GUSSET-RH -----	1	
-78	1270623-5	BRACKET-ELT MOUNTING -----	1	
-79	0712530-1	BRACKET ASSY-HAT SHELF SUPPORT -----	1	B
		ATTACHING PARTS -----		
	AN515-6R8	SCREW -----	4	
		-----*		
<p>A---182 SERIAL 18262466 THRU 18265965  F182 SERIAL F18200001 THRU F18200064</p> <p>B---182 SERIAL 18263476 THRU 18267715  F182 SERIAL F18200001 THRU F18200169</p> <p>C---182 SERIAL 18265966 THRU 18267715  F182 SERIAL F18200065 THRU F18200169</p> <p>D---182 SERIAL 18265966 THRU 18266521  F182 SERIAL F18200065 THRU F18200144</p> <p>E---182 SERIAL 18266522 THRU 18267715  F182 SERIAL F18200145 THRU F18200169</p>				

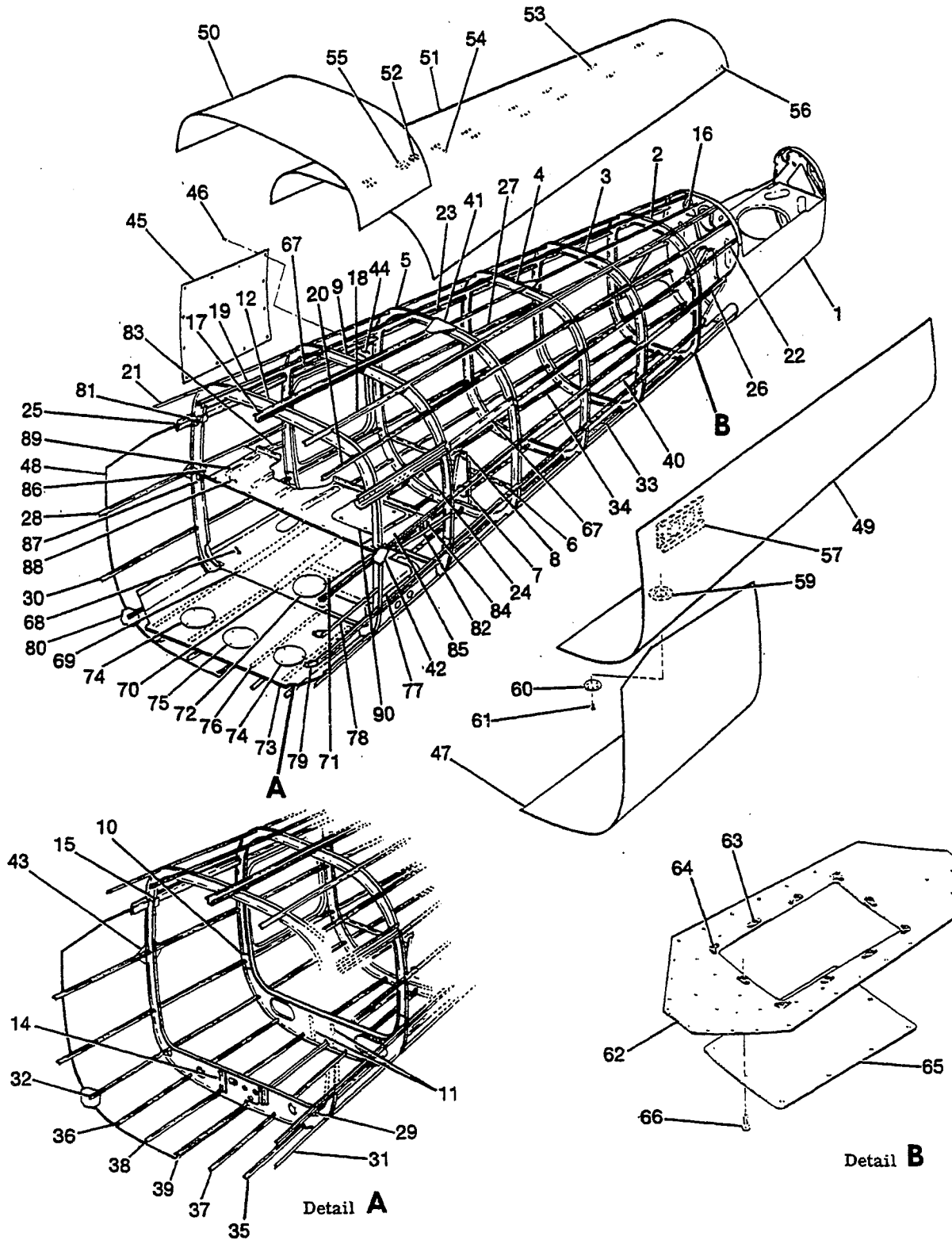
# 182 & T182 Parts Catalog

FIGURE AND INDEX NO.	PART NUMBER	DESCRIPTION							UNITS PER ASSY	USABLE ON CODE
		1	2	3	4	5	6	7		
51 -	0712077-200	TAILCONE ASSEMBLY-FUSELAGE -----							1	A
- 1	SEE FIG 56	AFT TAILCONE ASSY-FUSELAGE STA 209.00 TO STA 230.187 ----							1	
- 2	0712612-1	BULKHEAD ASSY STA 199.00 -----							1	
	0712612-2	BULKHEAD-UPPER -----							1	
	0712612-3	BULKHEAD-LOWER LH -----							1	
	0712612-4	BULKHEAD-LOWER RH -----							1	
- 3	0712612-5	BULKHEAD ASSY STA 185.50 -----							1	
	0712612-6	BULKHEAD-UPPER -----							1	
	0712612-7	BULKHEAD LOWER LH -----							1	
	0712612-8	BULKHEAD-LOWER RH -----							1	
- 4	0712611-1	BULKHEAD ASSY 172.00 -----							1	
	0712611-2	BULKHEAD-UPPER -----							1	
	0712611-3	BULKHEAD-LOWER LH -----							1	
	0712611-4	BULKHEAD-LOWER RH -----							1	
	NAS680A3	NUTPLATE LH SIDE ONLY -----							1	
- 5	0712610-1	BULKHEAD ASSY STA 156.00 -----							1	
	0712610-2	BULKHEAD-UPPER -----							1	
	0712610-3	BULKHEAD-LOWER LH -----							1	
	0712610-8	BULKHEAD-LOWER RH -----							1	
- 6	0712610-5	STIFFENER-PULLEY BRACKET -----							1	
- 7	0712613-2	BRACKET-STABILIZER TRIM -----							1	
- 8	0712613-4	BRACKET-TRIM TAB PULLEY -----							1	
- 9	0712511-3	BULKHEAD ASSY STA 140.00 -----							1	
	0712609-7	BULKHEAD ASSY UPPER -----							1	
-10	0712753-1	BRACKET-LH -----							1	
	0712753-2	BRACKET-RH -----							1	
	0712511-4	BULKHEAD-LOWER -----							1	
-11	0712516-1	STIFFENER -----							2	
	0712511-5	ANGLE-STIFFENER -----							1	
	NAS221-7	SCREW LEVELING POINT LH -----							1	
-12	0712069-1	BULKHEAD ASSY STA 124.00 -----							1	
	2211008-2	BULKHEAD-UPPER -----							1	
	0712069-3	BULKHEAD-LOWER LH -----							1	
	0712069-4	BULKHEAD-LOWER RH -----							1	
	0712503-8	BULKHEAD-LOWER -----							1	
-13	0712512-1	STIFFENER-LH -----							1	
-14	0712512-2	STIFFENER-RH -----							1	
-15	0712069-2	CLIP -----							2	
-16	0712627-24	STRINGER-UPPER TAILCONE AFT -----							1	
-17	2212006-1	STRINGER ASSY-UPPER TAILCONE FWD -----							1	
	NAS697A08	NUTPLATE -----							2	
-18	0712653-9	STRINGER-LH -----							1	
-19	0712653-10	STRINGER-RH -----							1	
-20	0712653-11	STRINGER-LH -----							1	
-21	0712653-12	STRINGER-RH -----							1	
-22	0712627-41	STRINGER-LH AFT -----							1	
-23	0712627-42	STRINGER-RH AFT -----							1	
-24	0712647-3	STRINGER-LH FWD -----							1	
-25	0712647-4	STRINGER-RH FWD -----							1	
-26	0712627-39	STRINGER-LH -----							1	
-27	0712627-37	STRINGER-RH AFT -----							1	
-28	0712627-36	STRINGER-RH FWD -----							1	
-29	0712627-9	STRINGER-LH -----							1	
-30	0712627-10	STRINGER-RH -----							1	
-31	0712627-25	STRINGER-LH -----							1	
-32	0712627-26	STRINGER-RH -----							1	
-33	0712627-5	STRINGER-LH AFT -----							1	
-34	0712627-6	STRINGER-RH AFT -----							1	
-35	0712627-3	STRINGER-LH FWD -----							1	
-36	0712627-4	STRINGER-RH FWD -----							1	
-37	0712627-1	STRINGER-LH -----							1	
-38	0712627-2	STRINGER-RH -----							1	
-39	0712627-21	STRINGER-BOTTOM FORWARD -----							1	
-40	0712627-22	STRINGER-BOTTOM AFT -----							1	
-41	0712527-1	DOUBLER -----							1	
-42	0712519-1	GUSSET-LH -----							1	
-43	0712519-2	GUSSET-RH -----							1	

CONTINUED ON NEXT PAGE

# 182 & T182 Parts Catalog

Fuselage (Cont)



**182 & T182 SERIAL 18267716 & ON**

Figure 51. Tailcone assembly - Extended Baggage Compartment

# 182 & T182 Parts Catalog

FIGURE AND INDEX NO.	PART NUMBER	DESCRIPTION							UNITS PER ASSY	USABLE ON CODE
		1	2	3	4	5	6	7		
51 -44	2212025-1	DOUBLER ASSY-TAILCONE DOOR -----							1	
	NAS680A3	NUTPLATE -----							4	
	NAS682A3	NUTPLATE -----							1	
	NAS680A3	NUTPLATE -----							4	
	NAS682A3	NUTPLATE -----							3	
-45	2212026-1	DOOR-TAILCONE ACCESS -----							1	
		ATTACHING PARTS -----								
-46	AN525-10R6	SCREW -----							12	
		*-----								
-47	0712504-7	SKIN-LOWER FORWARD LH -----							1	
-48	0712504-4	SKIN-LOWER FORWARD RH -----							1	
-49	2212000-2	SKIN-LOWER AFT LH -----							1	
	2212000-12	SKIN-LOWER AFT RH -----							1	
-50	0712504-3	SKIN-UPPER FORWARD -----							1	
-51	0712504-10	SKIN-UPPER AFT -----							1	
-52	1231052-1	BRACKET ASSY-DORSAL FIN -----							1	
	NAS686A08	NUTPLATE -----							2	
-53	MS21073L08K	NUTPLATE -----							14	
-54	NAS696A08K	NUTPLATE -----							1	
-55	NAS698A08K	NUTPLATE -----							1	
-56	S1862-1	NUTPLATE TINN -----							6	
-57	2270021-1	BRACKET ASSY-ELT MOUNT -----							1	
	NAS680A3	NUTPLATE -----							2	
-58		DELETED -----								
-59	S1048-2	DOUBLER-INSPECTION PLATE -----							1	
	NAS395-14-3	NUTPLATE -----							6	
-60	S225-5	PLATE-INSPECTION -----							1	
		ATTACHING PARTS -----								
-61	S1021Z8-6	SCREW -----							6	
		*-----								
-62	0712607-8	DOUBLER-ACCESS DOOR -----							1	
-63	NAS697A08	NUTPLATE -----							6	
-64	NAS698A08	NUTPLATE -----							4	
-65	0712607-9	DOOR-ACCESS -----							1	
	2201014-1	SCREEN-TAILCONE EXHAUST USED WITH A/C -----							1	B
	2201013-1	RETAINER PLATE-TAILCONE SCREEN USED WITH A/C -----							1	B
		ATTACHING PARTS -----								
-66	NAS220-5	SCREW -----							10	
	AN520-8R6	SCREW USED TO ATTACH SCREEN & RETAINER -----							10	B
		*-----								
-67	0712520-1	STIFFENER-LH -----							1	
	0712520-2	STIFFENER-RH -----							1	
-68	0712506-3	SHELF ASSY-RADIO -----							1	
-69	0712507-3	STIFFENER -----							1	
-70	0712507-2	STIFFENER -----							2	
-71	0712626-4	STIFFENER -----							1	
	S1741-1	ANCHOR -----							3	
	NAS1329A06K75	NUT -----							4	
-72	S225-1	PLATE -----							1	
		ATTACHING PARTS -----								
	S1878-1	STUD UC -----							3	
		*-----								
-73	0712514-1	FLOORBOARD ASSY -----							1	
-74	S225-1	PLATE -----							2	
		ATTACHING PARTS -----								
	S1878-1	STUD UC -----							3	
		*-----								
-75	S225-7	PLATE -----							1	
		ATTACHING PARTS -----								
	S1878-1	STUD -----							3	
		*-----								
-76	0712510-1	STIFFENER -----							4	
-77	SEE FIG 52	BATTERY BOX INSTALLATION -----							1	
-78	0712509-1	STIFFENER-LH -----							1	
-79	0712515-1	GUSSET-LH -----							1	
-80	0712607-6	GUSSET-RH -----							1	
-81	2211078-2	BRACKET ASSY RH-BAGGAGE TIEDOWN -----							1	
	2211078-1	BRACKET ASSY LH-BAGGAGE TIEDOWN -----							1	
	NAS680A3	NUTPLATE -----							1	

CONTINUED ON NEXT PAGE

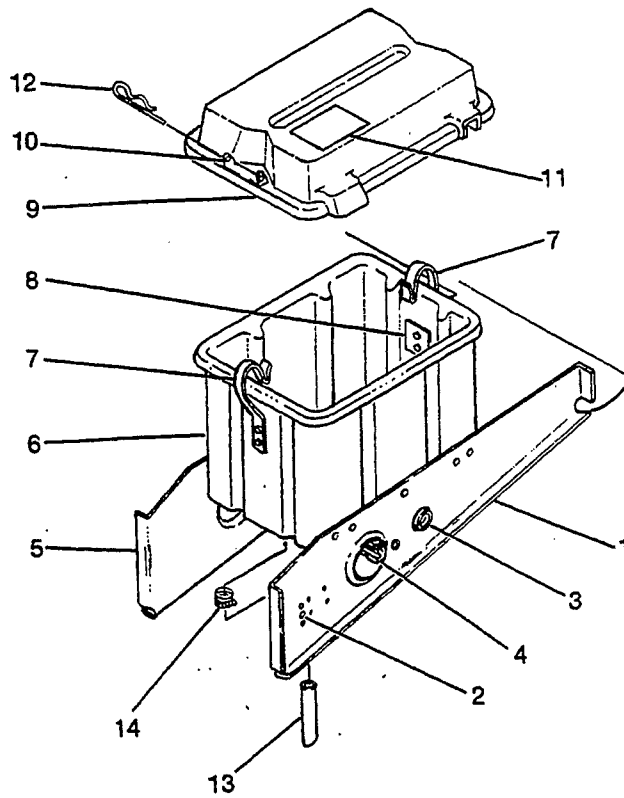


# 182 & T182 Parts Catalog

FIGURE AND INDEX NO.	PART NUMBER	DESCRIPTION							UNITS PER ASSY	USABLE ON CODE	
		1	2	3	4	5	6	7			
51	-82	2212017-1	DOUBLER-LH -----							1	
	-83	2212017-2	DOUBLER-RH -----							1	
	-84	2212010-1	BRACKET ASSY-LH -----							1	
		2212010-2	BRACKET ASSY-RH -----							1	
		NAS680A3	NUTPLATE -----							1	
	-85	2212018-1	BRACKET ASSY-LH -----							1	
		NAS680A3	NUTPLATE -----							2	
		2212018-2	BRACKET ASSY-RH -----							1	
	-86	NAS680A3	NUTPLATE -----							2	
		0712768-1	SUPPORT ASSY -----							1	
		NAS680A3	NUTPLATE -----							5	
	-88	2212024-1	SHELF ASSY -----							1	
			ATTACHING PARTS								
	-89	AN520-10R8	SCREW -----							9	
			*-----								
-90	2212023-1	PLATE ASSY-BATTERY ACCESS -----							1		
	S1853-13-080	STUD -----							4		
	S1853-4	PIN -----							4		
		<p>A---182 &amp; T182 SERIAL 18267716 &amp; ON</p> <p>B---T182 SERIAL 18267716 THRU 18268293</p>									

# 182 & T182 Parts Catalog

Fuselage (Cont)



182 SERIAL 18262466 THRU 18265965  
F182 SERIAL F18200001 THRU F18200064

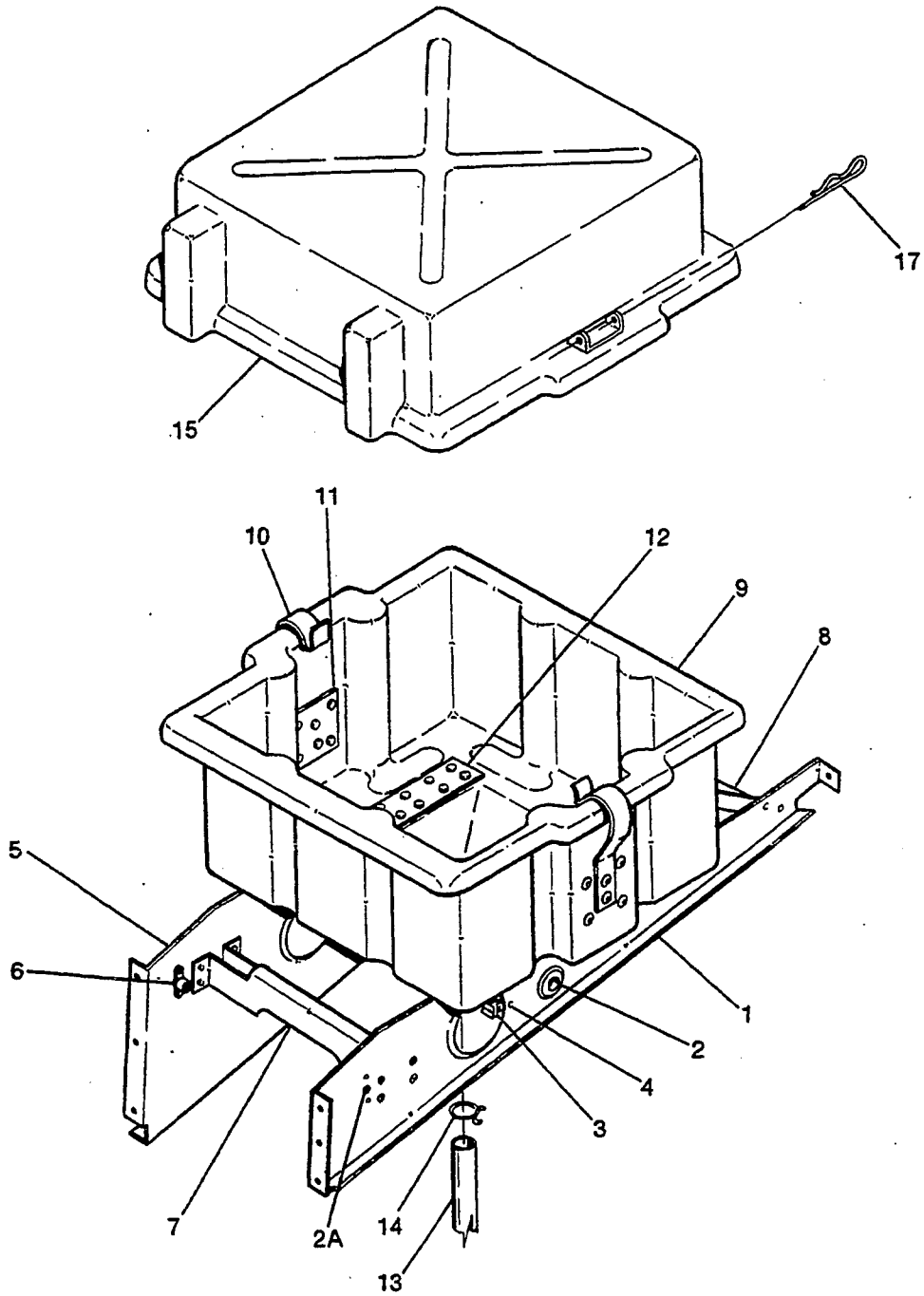
Figure 52. Battery Box Installation

# 182 & T182 Parts Catalog

FIGURE AND INDEX NO.	PART NUMBER	DESCRIPTION							UNITS PER ASSY	USABLE ON CODE
		1	2	3	4	5	6	7		
52 -		BATTERY BOX INSTALLATION -----							NP	A
- 1	0712513-1	BULKHEAD ASSY LH-BATTERY BOX -----							1	
- 2	NAS680A4	NUTPLATE -----							1	
- 3	MS35489-9S	GROMMET -----							1	
- 4	S2034-1	MOUNT-BATTERY CABLE -----							1	
		ATTACHING PARTS -----								
	S1022Z8-8	SCREW -----							1	
		-----*								
- 5	0712513-4	BULKHEAD ASSY RH-BATTERY BOX -----							1	
	S2034-1	MOUNT-BATTERY CABLE -----							1	
		ATTACHING PARTS -----								
	S1022Z8-8	SCREW -----							1	
		-----*								
- 6	0512167-30	BOX ASSY-BATTERY -----							1	
- 7	0512167-29	BASE ASSY-BATTERY BOX -----							1	
- 8	0512167-10	LATCH-SPRING -----							2	
- 8	0512167-17	PLATE-BACKING -----							2	
- 9	0512167-27	COVER ASSY-BATTERY BOX -----							1	
- 10	0413307-13	CATCH -----							2	
- 11	1205024-1	PLACARD -----							1	
- 12	AN415-2	PIN-LATCH -----							2	
- 13	S1495-6	HOSE-DRAIN 2.75 IN LG BKI REF S1495-6-2.75 -----							1	
		ATTACHING PARTS -----								
- 14	NAS397-10	CLAMP -----							1	
		-----*								
		A---182 SERIAL 18262466 THRU 18265965 F182 SERIAL F18200001 THRU F18200064								

# 182 & T182 Parts Catalog

## Fuselage (Cont)



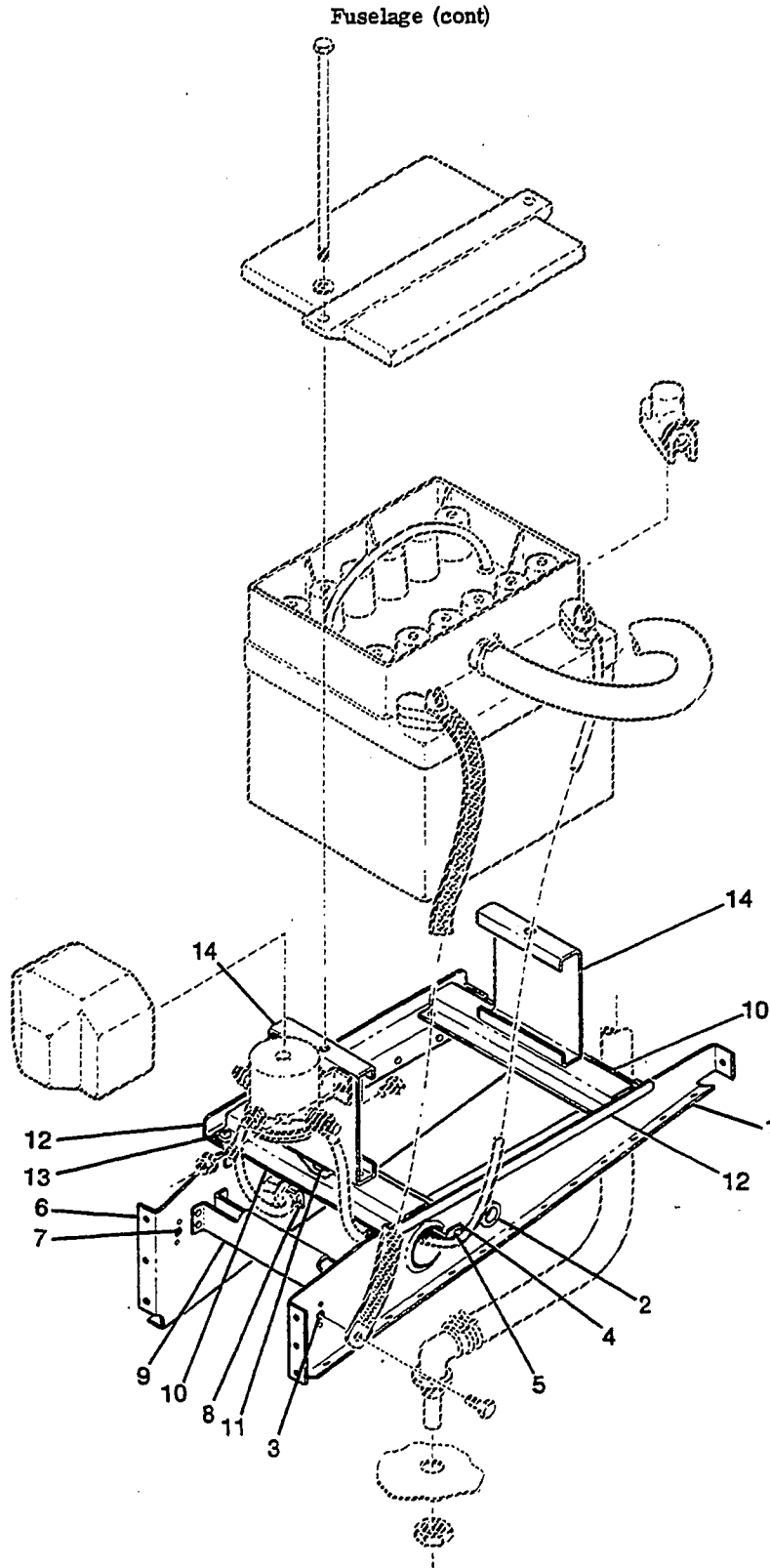
**182 SERIAL 18265966 THRU 18266523**  
**F182 SERIAL F1820065 THRU F18200144**

Figure 53. Battery Box Installation - 24 Volt

# 182 & T182 Parts Catalog

FIGURE AND INDEX NO.	PART NUMBER	DESCRIPTION							UNITS PER ASSY	USABLE ON CODE
		1	2	3	4	5	6	7		
53 -		BATTERY BOX INSTALLATION 24V -----							NP	A
- 1	0712513-5	BULKHEAD ASSY-OUTBOARD -----							1	
- 2	MS35489-9S	GROMMET -----							1	
- 2A	NAS680A4	NUTPLATE -----							1	
- 3	S2034-1	MOUNT -----							1	
		ATTACHING PARTS								
- 4	S102278-8	SCREW -----							1	
		-----*								
- 5	0712513-7	BULKHEAD ASSY-INBOARD -----							1	
- 6	NAS680A4	NUT -----							1	
	S2034-1	MOUNT -----							1	
		ATTACHING PARTS								
	S102278-8	SCREW -----							1	
		-----*								
- 7	0712655-1	BRACKET-BATTERY BOX -----							1	
- 8	0712071-1	BRACKET-BATTERY BOX -----							1	
	1670039-12	BOX ASSY-BATTERY -----							1	
- 9	1670039-11	BASE -----							1	
-10	0512167-10	LATCH SPRING -----							2	
-11	0512167-17	BACKING PLATE -----							2	
-12	1670032-2	BACKING PLATE -----							2	
	0712073-1	BRACKET-LH -----							1	
	0712073-2	BRACKET-RH -----							1	
-13	S1495-6	HOSE 5.0 IN LG BKI S1495-6-5.0 -----							1	
-14	S1494-8	CLAMP -----							1	
-15	1670039-10	LID ASSY-BATTERY BOX -----							1	
-16	0413307-13	CATCH -----							2	
	0512167-16	BACKING PLATE -----							2	
-17	AN415-2	PIN -----							2	
		A---182 SERIAL 18265966 THRU 18266523 F182 SERIAL F18200065 THRU F18200144								

# 182 & T182 Parts Catalog



**182 SERIAL 18266524 THRU 18267715**  
**F182 SERIAL F1820095 THRU F18200169**

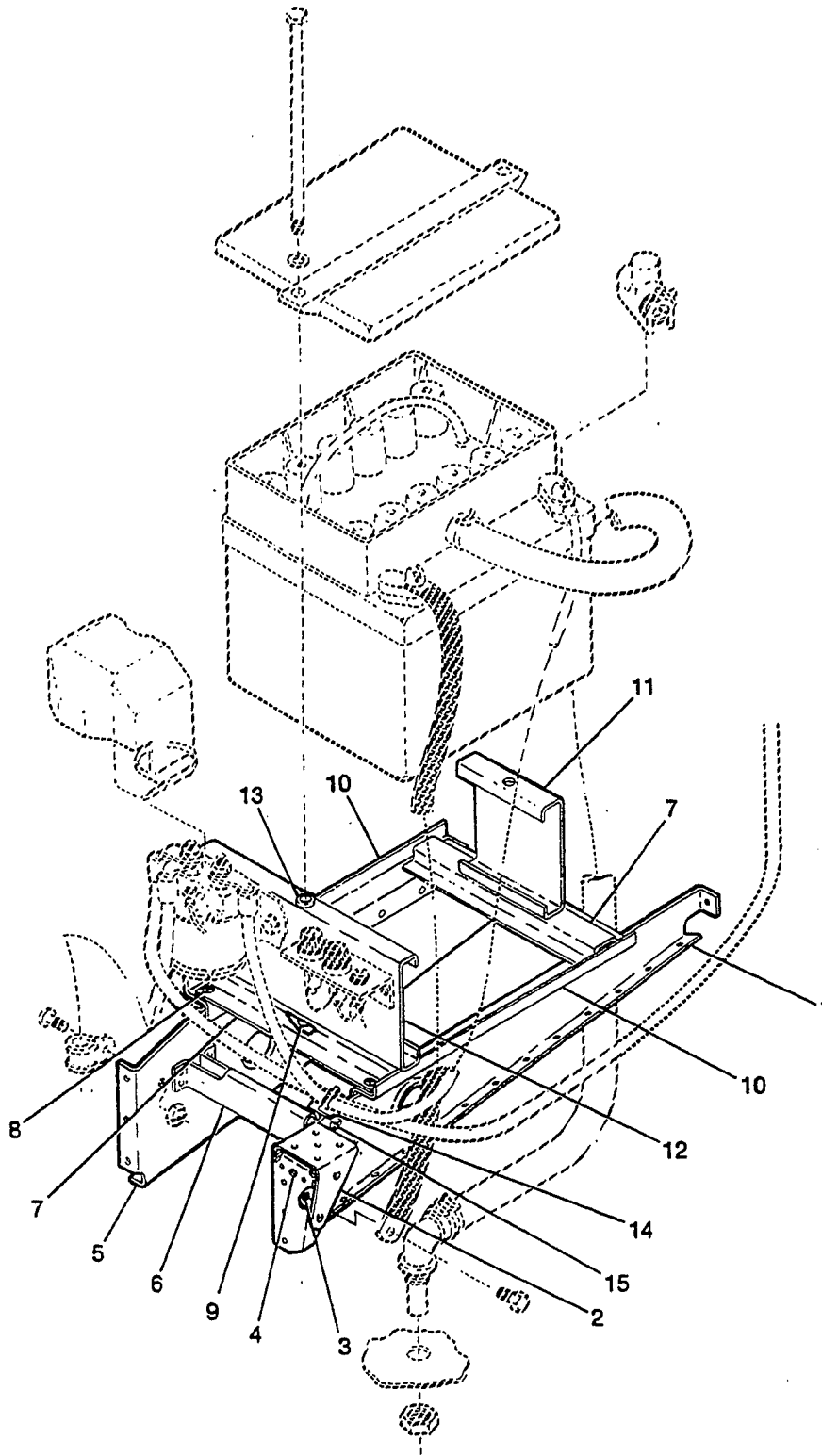
Figure 54. Manifold Battery Support Assembly

# 182 & T182 Parts Catalog

FIGURE AND INDEX NO.	PART NUMBER	DESCRIPTION							UNITS PER ASSY	USABLE ON CODE
		1	2	3	4	5	6	7		
54 -	0712074-1	SUPPORT ASSEMBLY-MANIFOLD BATTERY -----							1	A
- 1	0712513-5	BULKHEAD ASSY-OUTBD BATTERY SUPPORT -----							1	
- 2	MS35489-9S	GROMMET -----							1	
- 3	NAS680A4	NUT -----							1	
- 4	S2034-1	MOUNT -----							1	
		ATTACHING PARTS								
- 5	S1022Z8-8	SCREW -----							1	
		-----*								
- 6	0712513-7	BULKHEAD ASSY-INBD BATTERY SUPPORT -----							1	
- 7	NAS680A4	NUT -----							1	
- 8	S2034-1	MOUNT -----							1	
		ATTACHING PARTS								
	S1022Z8-8	SCREW -----							1	
		-----*								
- 9	0712655-1	BRACKET -----							1	
-10	0712058-1	SUPPORT -----							2	
-11	NAS686A4	NUT -----							2	
-12	0712059-1	SUPPORT -----							2	
-13	AN520-10R8	SCREW -----							4	
	AN960-10L	WASHER -----							4	
	MS21044N3	NUT -----							4	
-14	0712054-1	SUPPORT -----							2	
		A---182 SERIAL 18266524 THRU 18267715 F182 SERIAL F18200145 THRU F18200169								

# 182 & T182 Parts Catalog

Fuselage (Cont)



**182 & T182 SERIAL 18267716 & ON**

Figure 55. Manifold Battery Support Assembly

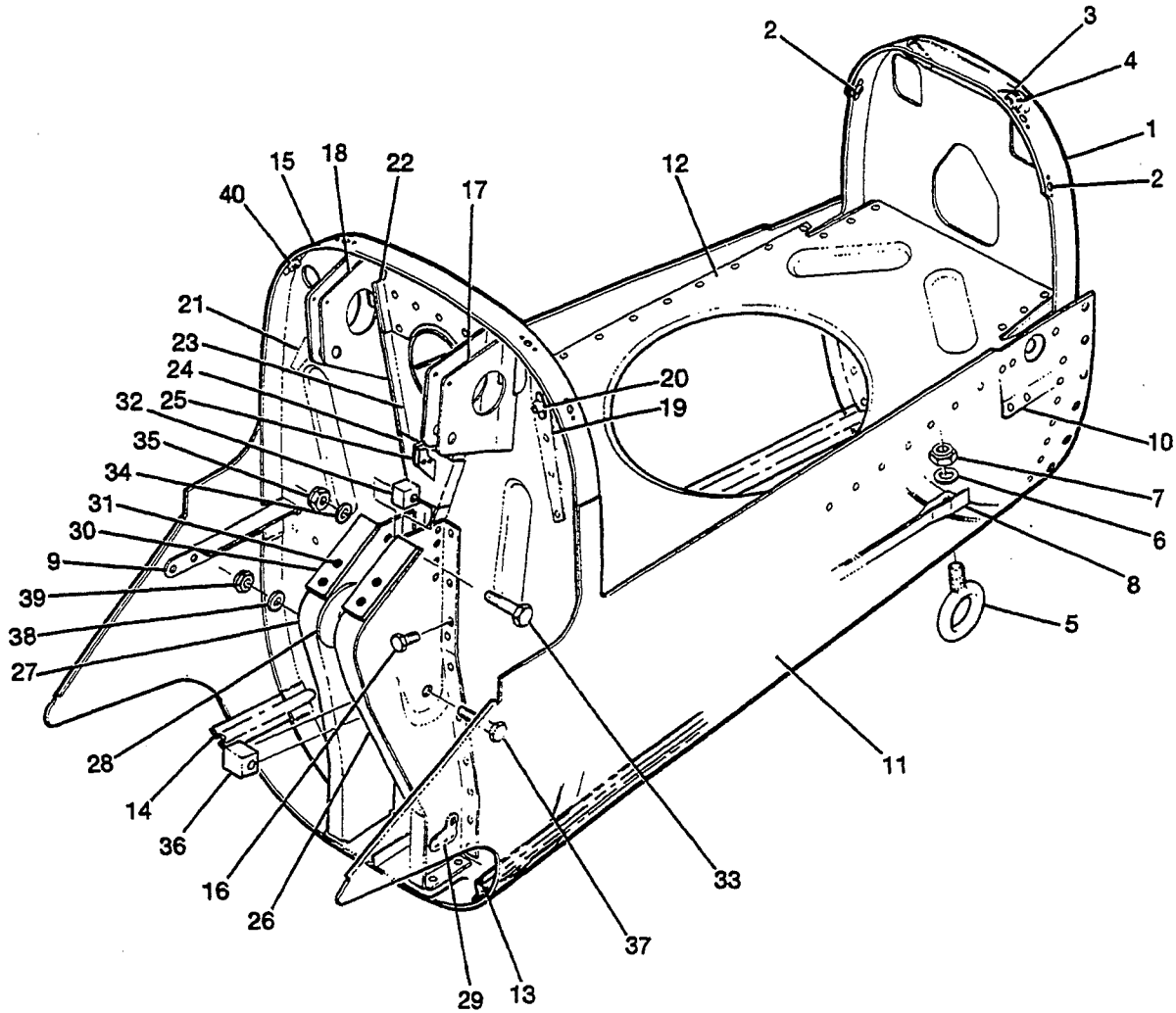


# 182 & T182 Parts Catalog

FIGURE AND INDEX NO.	PART NUMBER	DESCRIPTION							UNITS PER ASSY	USABLE ON CODE
		1	2	3	4	5	6	7		
55 -	0712078-1	SUPPORT ASSEMBLY-MANIFOLD BATTERY -----							1	A
- 1	0712513-9	BULKHEAD ASSY-OUTBD -----							1	
- 2	0712081-1	BRACKET ASSY -----							1	
- 3	NAS680A4	NUTPLATE -----							1	
- 4	NAS680A3	NUTPLATE -----							1	
- 5	0712513-8	BULKHEAD-INBD -----							1	
- 6	0712655-1	BRACKET -----							1	
- 7	0712058-1	SUPPORT -----							2	
		ATTACHING PARTS								
- 8	AN520-10R8	SCREW -----							2	
	AN960-10L	WASHER -----							2	
	MS21044N3	NUT -----							2	
		*-----								
- 9	NAS686A4	NUTPLATE -----							2	
-10	0712059-1	SUPPORT -----							2	
-11	0712054-1	SUPPORT-AFT -----							1	
-12	1612053-2	SUPPORT-FWD -----							1	
-13	MS35489-6	GROMMET -----							1	
-14	S2034-1	MOUNT -----							1	
		ATTACHING PARTS								
-15	S1021Z8-8	SCREW -----							1	
		*-----								
A---182 & T182 SERIAL 18267716 & ON										

# 182 & T182 Parts Catalog

## Fuselage (Cont)



**182 SERIAL 18262466 & ON**  
**F182 SERIAL F18200001 THRU F18200169**  
**T182 SERIAL 18267716 & ON**

Figure 56. Aft Tailcone Assembly Sta. 209.00 to 230.187

# 182 & T182 Parts Catalog

FIGURE AND INDEX NO.	PART NUMBER	DESCRIPTION							UNITS PER ASSY	USABLE ON CODE
		1	2	3	4	5	6	7		
56 -	0712525-2	AFT TAILCONE ASSY-FUSELAGE STA 209.00 TO STA 230.187 -----							1	A B
- 1	0712525-5	AFT TAILCONE ASSY-FUSELAGE STA 209.00 TO STA 230.187 -----							1	
- 2	0712523-1	BULKHEAD ASSY-FUSELAGE STA 230.187 -----							1	
- 3	NAS697A08	NUTPLATE -----							4	
- 4	0712528-1	DOUBLER ASSY -----							1	
- 5	NAS696A3	NUTPLATE -----							2	
- 6	0422344	EYEBOLT-MOORING -----							1	
- 7	AN960-516L	ATTACHING PARTS -----							1	
- 8	MS21042L5	WASHER -----							1	
- 9		NUT -----							1	
- 10	0712619-2	STRINGER-AFT TAILCONE -----							1	
- 11	0712618-4	ANGLE-BULKHEAD SUPPORT RH -----							1	
- 12	0712618-3	ANGLE-BULKHEAD SUPPORT LH -----							1	
- 13	0712524-1	BRACKET LH-STABILIZER ATTACH -----							1	
- 14	0712524-2	BRACKET RH-STABILIZER ATTACH -----							1	
- 15	0712525-3	SKIN-AFT TAILCONE -----							1	
- 16	0712522-5	BULKHEAD ASSY-HORIZONTAL -----							1	
- 17	0712522-3	SUPPORT ASSEMBLY -----							1	
- 18	NAS680A3	NUTPLATE -----							2	
- 19	0712526-1	STRINGER-AFT TAILCONE LH -----							1	
- 20	0712526-2	STRINGER-AFT TAILCONE RH -----							1	
- 21	0712615-3	BULKHEAD ASSY-FUSELAGE STA 209.00 -----							1	
- 22	0712615-5	BULKHEAD ASSY-FUSELAGE STA 209.00 -----							1	
- 23	AN3-5A	ATTACHING PARTS -----							2	
- 24	AN960-10	BOLT -----							2	
- 25		WASHER -----							2	
- 26	1260491-1	BRACKET-PULLEY LH -----							1	
- 27	1260491-2	BRACKET-PULLEY RH -----							1	
- 28		ATTACHING PARTS -----							1	
- 29	AN3-3A	BOLT -----							1	
- 30	MS21044N3	NUT -----							1	
- 31		DOUBLER ASSY-FWD 1 RH & 1 LH -----							2	
- 32	1212127-1	NUTPLATE -----							1	
- 33	NAS697A4	DOUBLER-AFT 1 RH & 1 LH -----							2	
- 34	1212127-3	DOUBLER-BULKHEAD -----							1	
- 35	1212126-1	DOUBLER-FIN SUPPORT -----							1	
- 36	0712521-1	SUPPORT-PULLEY BRACKET -----							1	
- 37	0712636-1	SUPPORT-PULLEY BRACKET -----							1	
- 38	2260106-1	BRACKET-ELEVATOR TAB CONTROL PULLEY -----							1	
- 39	0760137-1	BRACKET ASSY-ELEVATOR BELLCRANK LH -----							1	
- 40	0712621-7	BRACKET ASSY-ELEVATOR BELLCRANK RH -----							1	
- 41	0712621-8	DOUBLER -----							1	
- 42	0712306-5	BRACKET-ELEVATOR SPRING -----							1	
- 43	0712650-1	STRIP -----							2	
- 44	0760129-1	ATTACHING PARTS -----							2	
- 45	AN515-6R6	SCREW -----							2	
- 46	MS21044N06	NUT -----							2	
- 47		SPACER-RUDDER BELLCRANK STOP -----							1	
- 48	0510146-8	ATTACHING PARTS -----							1	
- 49	AN4-12A	BOLT -----							1	
- 50	AN960-416	WASHER -----							1	
- 51	MS21042L4	NUT -----							1	
- 52		SPACER-RUDDER BELLCRANK STOP -----							1	
- 53	0510146-9	ATTACHING PARTS -----							1	
- 54	AN4-14A	BOLT -----							1	
- 55	AN960-416	WASHER -----							1	
- 56	MS21042L4	NUT -----							1	
- 57		NUTPLATE -----							4	

A---182 SERIAL 18262466 THRU 18267715  
 F182 SERIAL F18200001 THRU F18200169  
 B---182 & T182 SERIAL 18267716 & ON

# 182 & T182 Parts Catalog

Fuselage (Cont)

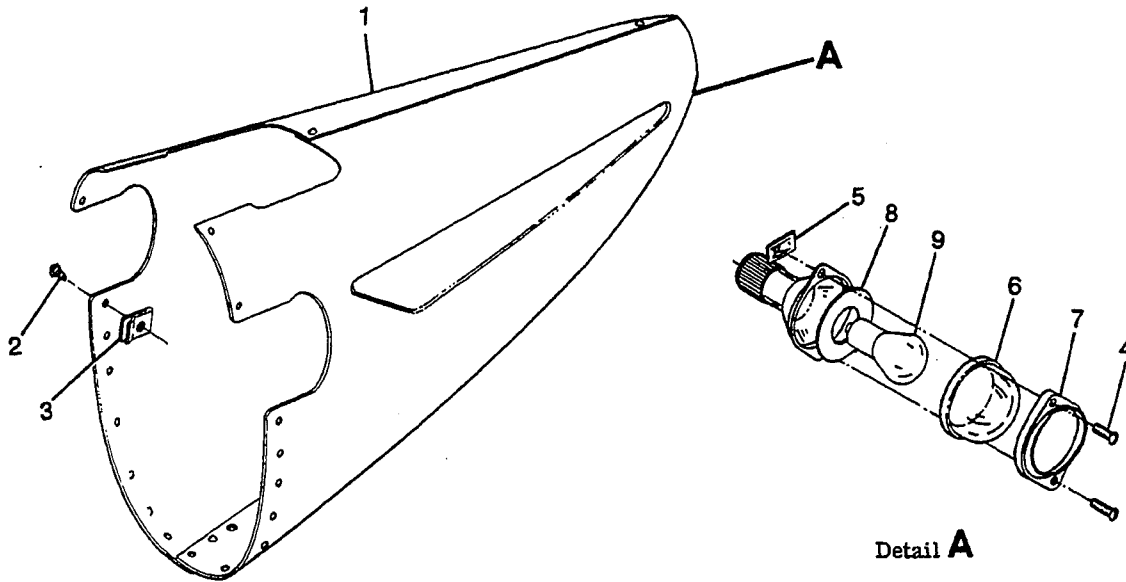


Figure 57. Stinger Installation

FIGURE AND INDEX NO.	PART NUMBER	DESCRIPTION									UNITS PER ASSY	USABLE ON CODE
		1	2	3	4	5	6	7	8	9		
57 -		<b>STINGER INSTALLATION</b> -----									NP	
- 1	1212010-11-791	STINGER ASSY 12 VOLT -----									1	A
	1212010-15-791	STINGER ASSY 24 VOLT -----									1	B
		ATTACHING PARTS -----										
- 2	S102178-8	SCREW -----									15	
- 3	NAS395-14-3	NUT -----									15	
	C622001-0102	*-----										
		LIGHT ASSY-TAIL -----									1	
		ATTACHING PARTS -----										
- 4	S102176-10	SCREW -----									2	
- 5	NAS488-5-3	NUT -----									2	
		*-----										
- 6	A4513-1	LENS-CLEAR GMC -----									1	
- 7	C622001-0104	RETAINER-LENS GMC -----									1	
- 8	A2109-3	GASKET GMC -----									1	
- 9	1777	LAMP-TAIL LIGHT 12 VOLT -----									1	A
	MS35478-307	LAMP-TAIL LIGHT 24 VOLT -----									1	B
		A---182 SERIAL 18262466 THRU 18265965										
		F182 SERIAL F18200001 THRU F18200064										
		B---182 SERIAL 18265966 & ON										
		F182 SERIAL F18200065 THRU F18200169										
		T182 SERIAL 18267716 & ON										

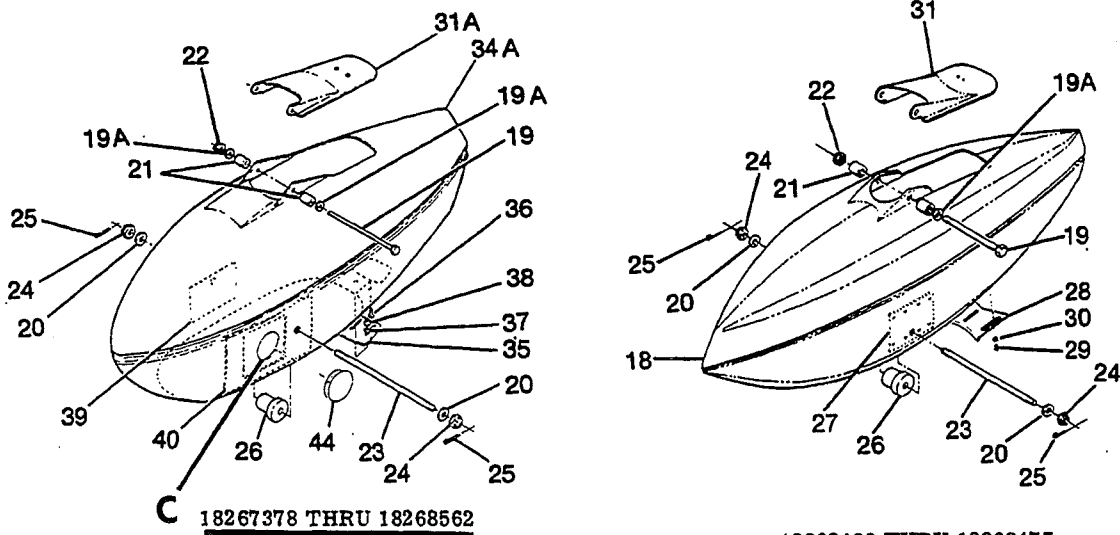
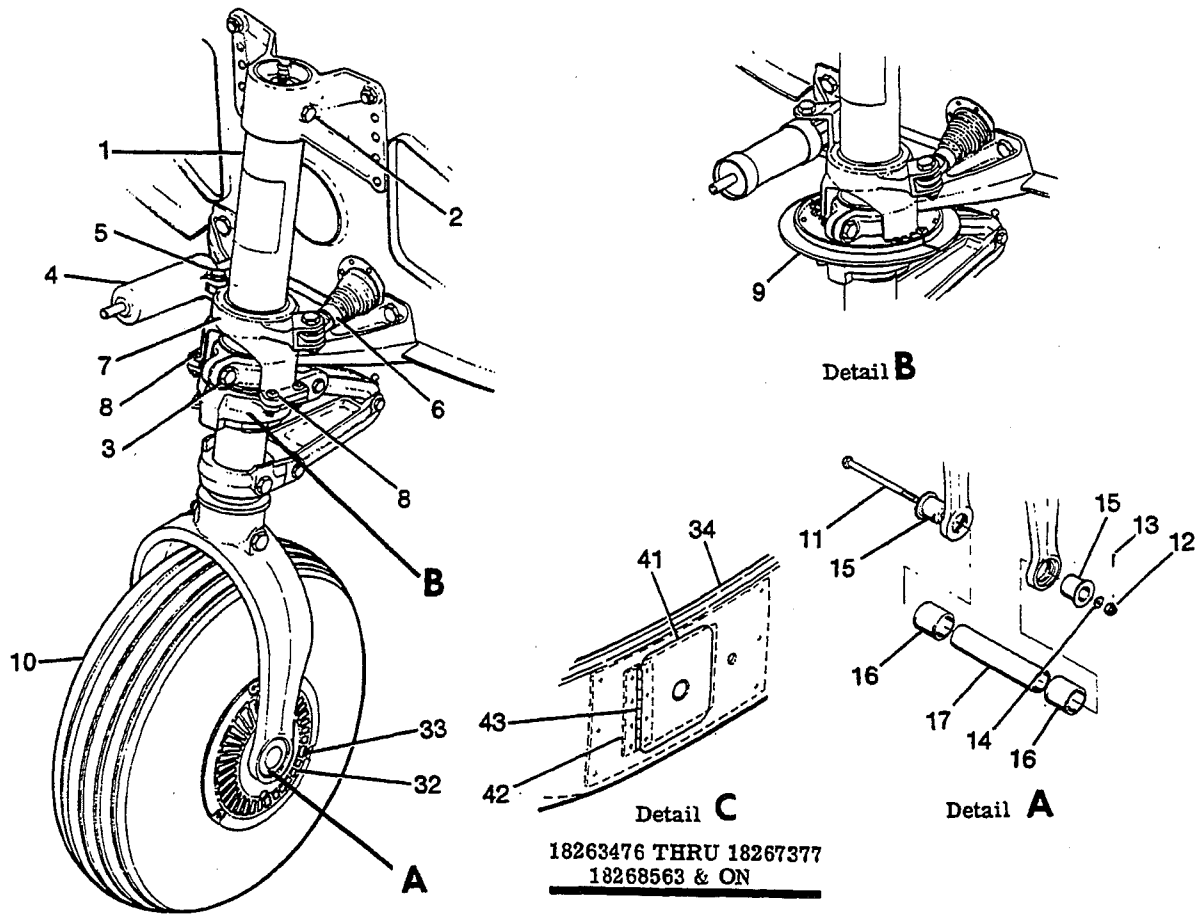
# 182 & T182 Parts Catalog

FIGURE AND INDEX NO.	PART NUMBER	DESCRIPTION							UNITS PER ASSY	USABLE ON CODE
		1	2	3	4	5	6	7		
58 -		NOSE GEAR INSTALLATION -----							NP	A
- 1	SEE FIG 62	SHOCK STRUT ASSY-NOSE GEAR -----							1	
		ATTACHING PARTS -----								
- 2	AN5-31A	BOLT -----							1	
	MS21042L5	NUT -----							2	
	AN960-516	WASHER -----							2	
- 3	AN5-10A	BOLT -----							1	
		-----*								
- 4	SEE FIG 67	DAMPENER ASSY-SHIMMY -----							1	
		ATTACHING PARTS -----								
- 5	AN4-7A	BOLT -----							2	
	AN960D416L	WASHER -----							AR	
	NAS75-4-010	BUSHING -----							2	
	MS20392-2C31	PIN -----							1	
	MS24665-132	PIN-COTTER -----							1	
		-----*								
- 6	SEE FIG 60	STEERING SYSTEM INSTALLATION-NOSE GEAR -----							NP	
- 7	0743604-6	TORQUE ARM ASSY-NOSE GEAR STEERING -----							1	
		ATTACHING PARTS -----								
- 8	NAS221-13	SCREW -----							4	
	AN960-10	WASHER -----							4	
	MS21044N3	NUT -----							4	
		-----*								
	GNB4012	BEARING TOR -----							1	
	GNB40120H	BEARING TOR ALTERNATE -----							1	
- 9	0743628-1	CLOSURE ASSY-NOSE GEAR -----							1	

CONTINUED ON NEXT PAGE

# 182 & T182 Parts Catalog

## Alighting Gear



**182 SERIAL 18262466 & ON**  
**F182 SERIAL F1820001 THRU F18200169**

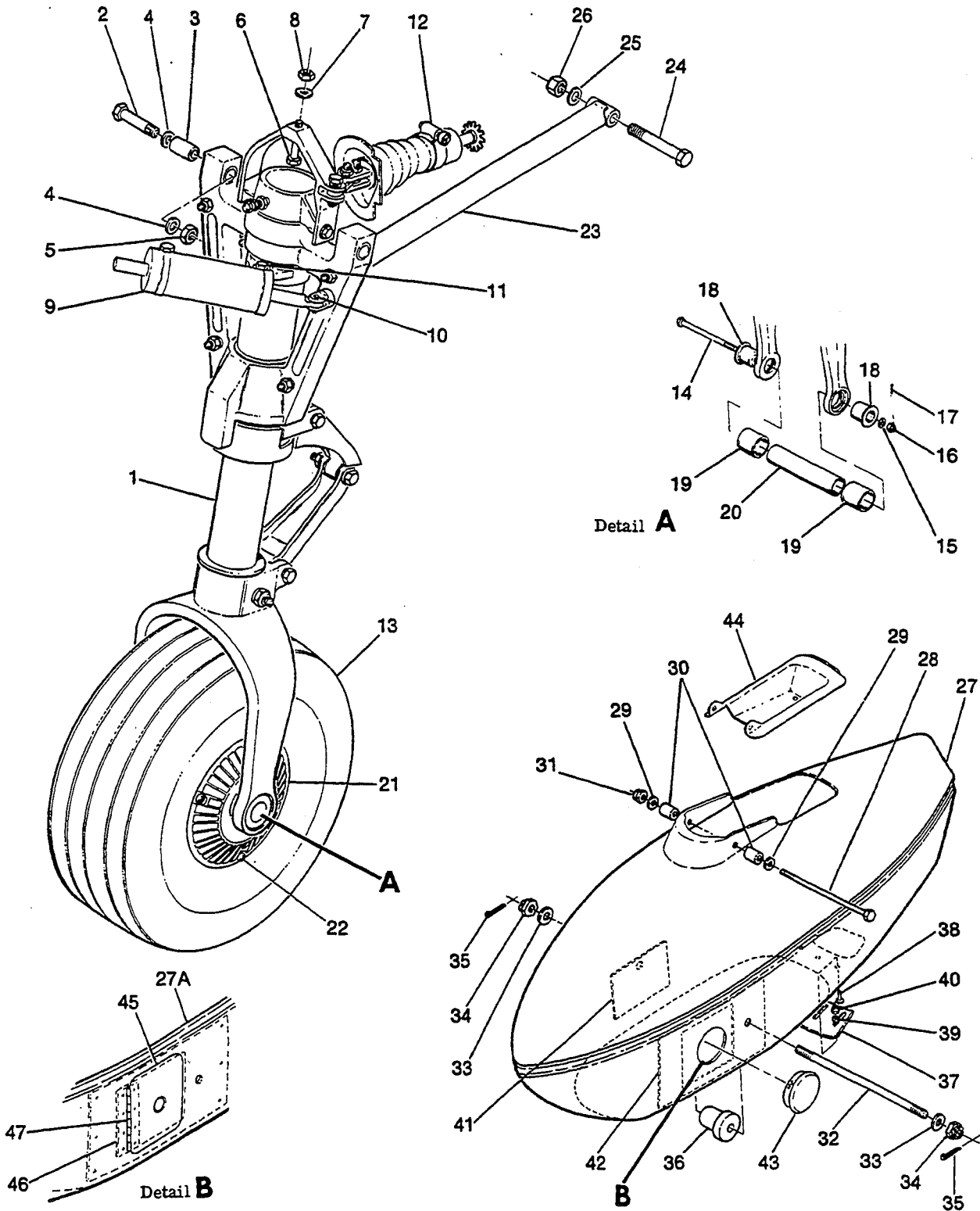
Figure 58. Nose Gear Installation

# 182 & T182 Parts Catalog

FIGURE AND INDEX NO.	PART NUMBER	DESCRIPTION							UNITS PER ASSY	USABLE ON CODE
		1	2	3	4	5	6	7		
58 -10	SEE FIG 64 SEE FIG 65	WHEEL ASSY-NOSE GEAR ----- WHEEL ASSY-NOSE GEAR ALTERNATE ----- ATTACHING PARTS -----							NP NP	
-11	AN5-47	BOLT -----							1	
-12	AN310-5	NUT -----							1	
-13	MS24665-134	PIN-COTTER -----							1	
-14	AN960-516L	WASHER -----							1	
-15	0543001	FERRULE-AXLE BOLT -----							2	
-16	0543037-1	SPACER-AXLE -----							2	
-17	0543003	TUBE-AXLE -----							1	
-18	0543065-1	* SPEED FAIRING ASSY-NOSE GEAR ----- ATTACHING PARTS -----							1	B
-19	AN5-51A	BOLT -----							1	
-19A	AN960-516L	WASHER -----							AR	
-20	S1450-5-12-035	WASHER -----							2	
-21	0743009-1	SPACER -----							2	
-22	MS21042L5	NUT -----							1	
-23	0742410-27	STUD -----							1	
-24	AN310-5	NUT -----							2	
-25	MS24665-136	PIN-COTTER -----							2	
-26	0742410-8	FERRULE -----							2	
-27	0541207-3	* DOUBLER -----							2	B
-28	0541205-2	SCRAPER -----							1	B
-29	AN520-10R6	ATTACHING PARTS -----								
-30	AN960-10	SCREW -----							3	
	MS21044N3	WASHER -----							3	
		NUT -----							3	
-31	0743625-15	* COVER PLATE ASSY -----							1	B
-31A	0743625-17	COVER PLATE ASSY -----							1	C
-32	0743627-5	HUB CAP-NOSE GEAR VALVE STEM SIDE -----							1	D
	0743627-6	HUB CAP-NOSE GEAR -----							1	D
-33	S2191-8-4	ATTACHING PARTS -----								
	AN936A8	SCREW -----							3	
		WASHER -----							3	
	6241M	* EXTENSION VALVE -----							1	
	6241B	EXTENSION VALVE DL USED WITH ALT WHEEL -----							1	
	3680C	EXTENSION VALVE SV ALTERNATE -----							1	
-34	0543079-7	SPEED FAIRING ASSY-NOSE GEAR -----							1	F
-34A	0543079-12	SPEED FAIRING ASSY-NOSE GEAR -----							1	F
-35	0541221-2	SCRAPER -----							1	C
-36	AN520-10R12	ATTACHING PARTS -----								
-37	AN960-10	SCREW -----							3	C
-38	MS21044N3	WASHER -----							6	C
		NUT -----							3	C
-39	0541207-3	* DOUBLER -----							1	C
-40	0541222-5	DOUBLER -----							1	C
-41	0543084-1	ACCESS DOOR ASSY -----							1	C
-42	0543085-1	HINGE ASSY -----							1	F
	0543085-2	HINGE HALF ATTACH TO FAIRING -----							1	F
	0543085-3	HINGE HALF ATTACH TO DOOR ASSY -----							1	F
	MS20253P1-292	PIN-HINGE -----							1	F
-43	0543086-1	SPRING -----							1	F
-44	S2446-32	PLUG -----							1	F
		<p>A---182 SERIAL 18262466 &amp; ON F182 SERIAL F18200001 THRU F18200169</p> <p>B---182 SERIAL 18262466 THRU 18263475</p> <p>C---182 SERIAL 18263476 &amp; ON F182 SERIAL F18200001 THRU F18200169</p> <p>D---182 SERIAL 18262466 THRU 18266590 F182 SERIAL F18200001 THRU F18200094</p> <p>E---182 SERIAL 18263476 THRU 18267377 F182 SERIAL F18200001 THRU F18200159</p> <p>F---182 SERIAL 18267378 THRU 18268562 F182 SERIAL F18200160 THRU F18200169</p>								

# 182 & T182 Parts Catalog

## Aligning Gear (Cont)



**T182 SERIAL 18267716 & ON**

Figure 59. Nose Gear Installation



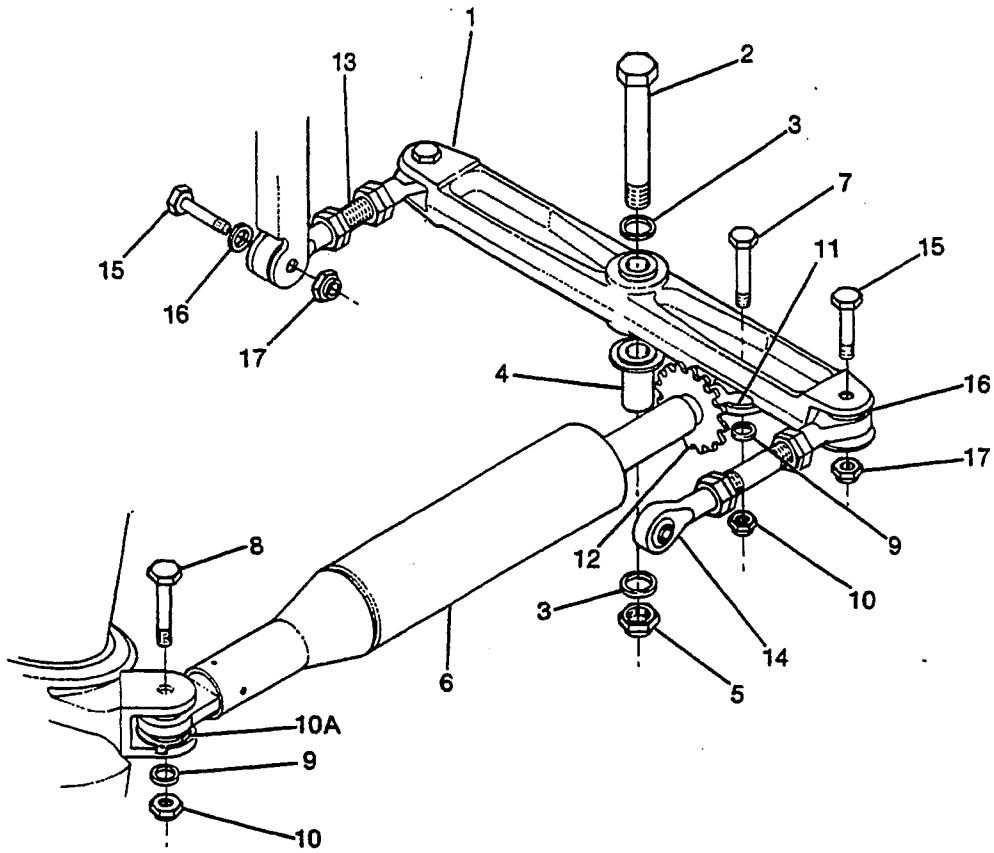
# 182 & T182 Parts Catalog

FIGURE AND INDEX NO.	PART NUMBER	DESCRIPTION							UNITS PER ASSY	USABLE ON CODE
		1	2	3	4	5	6	7		
59 -		NOSE GEAR INSTALLATION -----							NP	A
- 1	SEE FIG 63	NOSE GEAR SHOCK STRUT INSTALLATION -----							1	
		ATTACHING PARTS								
- 2	NAS464P6LA24	BOLT -----							2	
- 3	1RA6	WASHER -----							2	
- 4	AN960D616	NUT -----							4	
- 5	MS21042L6	BOLT -----							2	
- 6	AN4-15A	WASHER -----							1	
- 7	AN960-416	NUT -----							1	
- 8	MS21045L4	*-----							1	
- 9	SEE FIG 68	DAMPENER ASSY-SHIMMY -----							1	
		ATTACHING PARTS								
-10	NAS6203-10D	BOLT -----							1	
	MS24665-132	PIN-COTTER -----							1	
-11	AN173-11	BOLT -----							1	
	AN320C3	NUT -----							1	
	MS24665-132	PIN-COTTER -----							1	
	AN960-10L	WASHER -----							1	
		*-----								
-12	SEE FIG 61	NOSE GEAR STEERING SYSTEM -----							1	
-13	SEE FIG 64	NOSE GEAR WHEEL ASSY -----							1	
		ATTACHING PARTS								
-14	AN5-47	BOLT -----							1	
-15	AN960-516L	WASHER -----							1	
-16	AN310-5	NUT -----							1	
-17	MS24995-136	PIN -----							1	
-18	0543001-0	FERRULE -----							2	
-19	0543037-1	SPACER -----							2	
-20	0543003-0	TUBE-AXLE -----							1	
		*-----								
-21	0743627-5	HUB CAP-NOSE WHEEL VALVE STEM SIDE -----							1	
	0743627-6	HUB CAP-NOSE WHEEL -----							1	
		ATTACHING PARTS								
-22	AN515-8R4	SCREW -----							3	
	S2191-8-4	SCREW USED WITH MCCAULEY WHEEL -----							3	
	AN936A8	WASHER -----							3	
		*-----								
	6241B	EXTENSION-VALVE -----							1	
-23	0743629-1	DRAG LINK ASSY -----							1	
		ATTACHING PARTS								
-24	NAS464P7-36	BOLT AFT -----							1	
-25	AN960-716	WASHER AFT -----							1	
-26	MS21045L7	NUT AFT -----							1	
	AN6-32A	BOLT FWD -----							1	
	AN960-616	WASHER FWD -----							1	
	MS21042L6	NUT FWD -----							1	
		*-----								
-27	0543079-13	SPEED FAIRING ASSY-NOSE GEAR WEU 0543079-14 -----							1	
	0543079-14	SPEED FAIRING ASSY-NOSE GEAR -----							1	
		ATTACHING PARTS								
-28	AN5-51A	BOLT -----							1	
-29	AN960-516L	WASHER -----							AR	
-30	0543087-1	SPACER -----							2	
-31	MS21042L5	NUT -----							1	
-32	0742410-27	STUD -----							1	
-33	S1450-5-12-035	WASHER -----							2	
-34	AN310-5	NUT -----							2	
-35	MS24665-136	COTTER PIN -----							2	
-36	0742410-8	FERRULE -----							2	
		*-----								
-37	0541221-2	SCRAPER -----							1	
		ATTACHING PARTS								
-38	AN520-10R12	SCREW -----							3	
-39	AN960-10	WASHER -----							6	
-40	MS21044N3	NUT -----							3	
		*-----								
-41	0541207-3	DOUBLER -----							1	
-42	0541222-5	DOUBLER -----							1	
-43	S2446-32	PLUG -----							1	
-44	0743017-1	COVER PLATE ASSY -----							1	
-45	0543084-1	ACCESS DOOR ASSY USED WITH 0543079-14 -----							1	
-46	0543085-1	HINGE ASSY -----							1	
	MS20253P2-292	PIN HINGE -----							1	
-47	0543086-1	SPRING -----							1	

A---T182 SERIAL 18267716 & ON

# 182 & T182 Parts Catalog

## Aligning Gear (Cont)



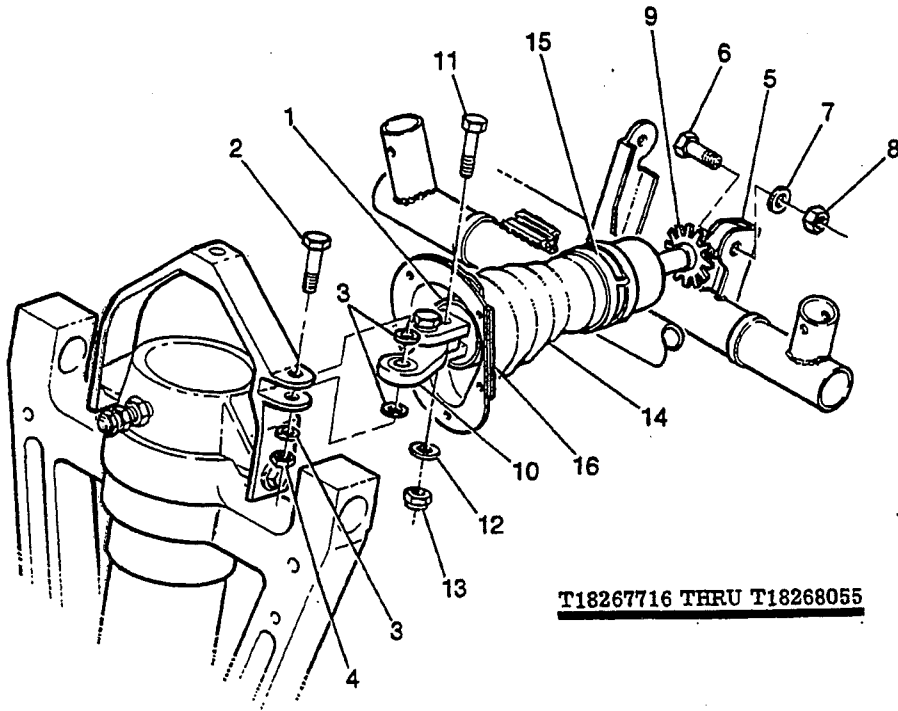
**182 SERIAL 18262466 & ON  
F182 SERIAL F18200001 THRU F18200169**  
Figure 60. Nose Gear Steering System Installation

# 182 & T182 Parts Catalog

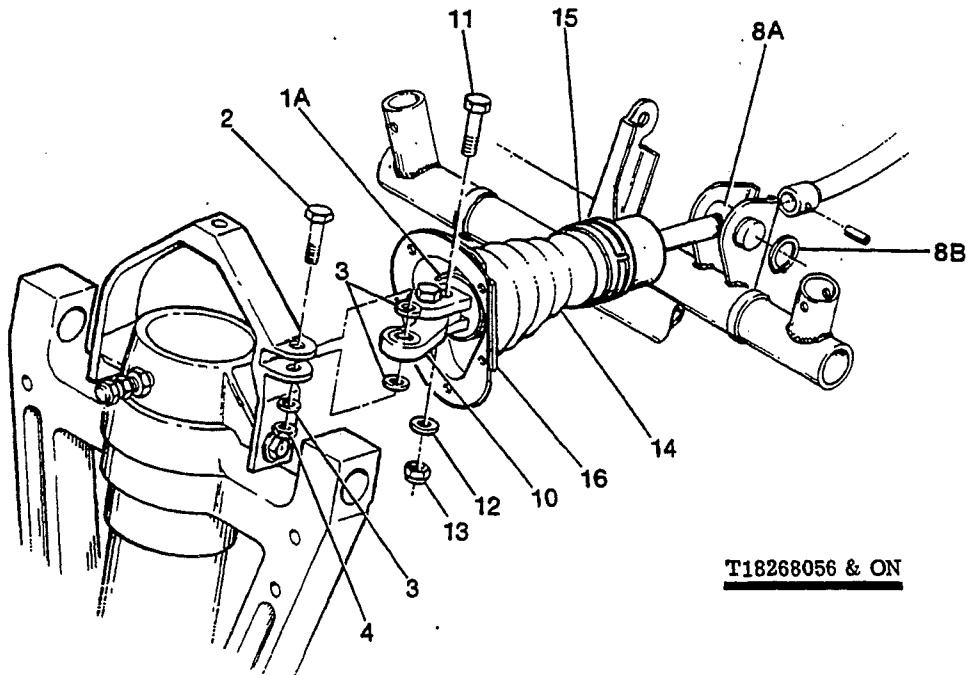
FIGURE AND INDEX NO.	PART NUMBER	DESCRIPTION							UNITS PER ASSY	USABLE ON CODE
		1	2	3	4	5	6	7		
60 -		STEERING SYSTEM INSTALLATION-NOSE GEAR -----							NP	
- 1	0743602-1	BELLCRANK ASSEMBLY -----							1	
		ATTACHING PARTS -----								
- 2	NAS464P6LA32	BOLT -----							1	
- 3	AN960-616	WASHER -----							2	
- 4	0743610-1	BUSHING -----							1	
- 5	MS21042L6	NUT -----							1	
		*-----								
- 6	0760622-1	BUNGEE ASSEMBLY -----							1	
		ATTACHING PARTS -----								
- 7	AN173-12A	BOLT -----							1	
- 8	AN173-12A	BOLT -----							1	
- 9	AN960-10	WASHER -----							2	
-10	MS21044N3	NUT -----							2	
-10A	0760660-1	POSITIONER -----							1	
		*-----								
-11	M34-14	BEARING HEC -----							1	
-12	0760630-1	SPROCKET -----							1	
		ATTACHING PARTS -----								
	NAS561-4-6	PIN -----							1	
		*-----								
-13	0743608-1	ROD ASSEMBLY-PUSH-PULL					RH	-----	1	
-14	0743608-2	ROD ASSEMBLY-PUSH-PULL					LH	-----	1	
		ATTACHING PARTS -----								
-15	AN173-12A	BOLT -----							2	
-16	AN960-10L	WASHER -----							2	
-17	MS21044N3	NUT -----							2	
		*-----								
A---182 SERIAL 18262466 & ON F182 SERIAL F18200001 THRU F18200169										

# 182 & T182 Parts Catalog

## Aligning Gear (Cont)



**T18267716 THRU T18268055**



**T18268056 & ON**

**T182 SERIAL 18267716 & ON**

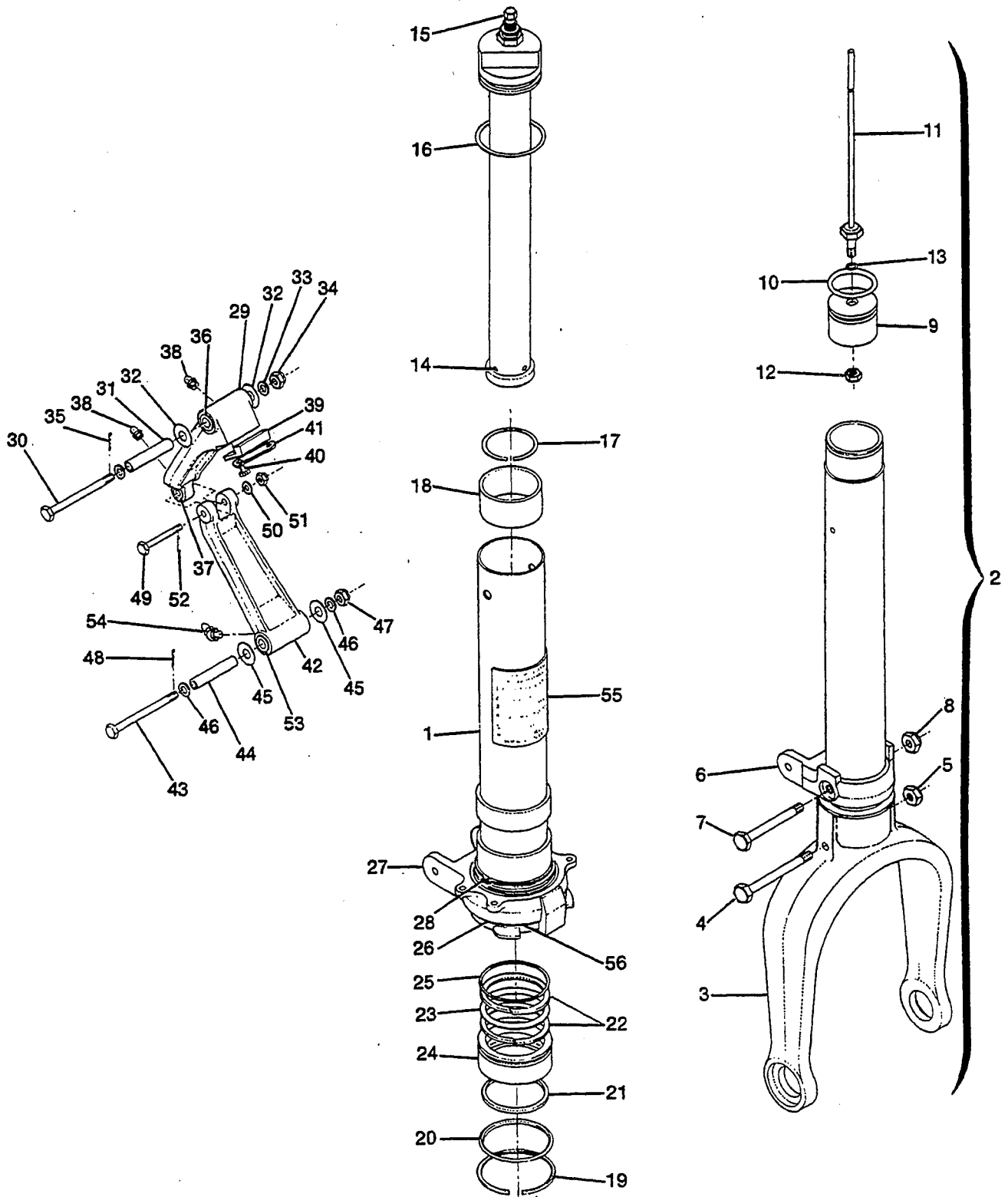
Figure 61. Nose Gear Steering System

# 182 & T182 Parts Catalog

FIGURE AND INDEX NO.	PART NUMBER	DESCRIPTION							UNITS PER ASSY	USABLE ON CODE
		1	2	3	4	5	6	7		
61 -		NOSE GEAR STEERING SYSTEM -----							NP	A
- 1	2260108-1	BUNGEE ASSY-NOSE GEAR WEU 2260108-12 -----							1	B
	2260108-12	BUNGEE ASSY-NOSE GEAR -----							1	C
- 1A	2260108-13	BUNGEE ASSY-NOSE GEAR -----							1	D
		ATTACHING PARTS -----								
- 2	AN3-10A	BOLT -----							1	
- 3	AN960-10L	WASHER -----							3	
- 4	MS21045L3	NUT -----							1	
- 5	S2049-4FG	ROD END -----							1	E
- 6	AN4-7A	BOLT -----							1	F
- 7	AN960-416	WASHER -----							1	F
- 8	MS21045L4	NUT -----							1	F
- 8A	2260010-1	BARRELNUT-RUDDER BAR & BUNGEE -----							1	D
- 8B	MS16624-3075	SNAP RING -----							2	D
		-----*								
- 9	2260110-2	SPROCKET-RUDDER TRIM -----							1	E
		ATTACHING PARTS -----								
	NAS561P4-6	PIN -----							1	E
		-----*								
-10	2260109-1	ARM ASSY -----							1	
		ATTACHING PARTS -----								
-11	AN3-10A	BOLT -----							2	
-12	AN960-10L	WASHER -----							2	
-13	MS21045L3	NUT -----							2	
		-----*								
-14	2260112-1	BOOT-BUNGEE -----							1	
		ATTACHING PARTS -----								
-15	NAS397-22	CLAMP -----							1	
-16	2260113-1	RETAINER -----							1	
		-----*								
		A---T182 SERIAL 18267716 & ON B---T182 SERIAL 18267716 THRU 18267958 C---T182 SERIAL 18267959 THRU 18268055 D---T182 SERIAL 18268056 & ON E---T182 SERIAL 18267716 THRU 18268055								

# 182 & T182 Parts Catalog

## Aligning Gear (Cont)



**182 SERIAL 18262466 & ON  
F182 SERIAL F1820001 THRU F18200169**

Figure 62. Nose Gear Shock Strut Assembly

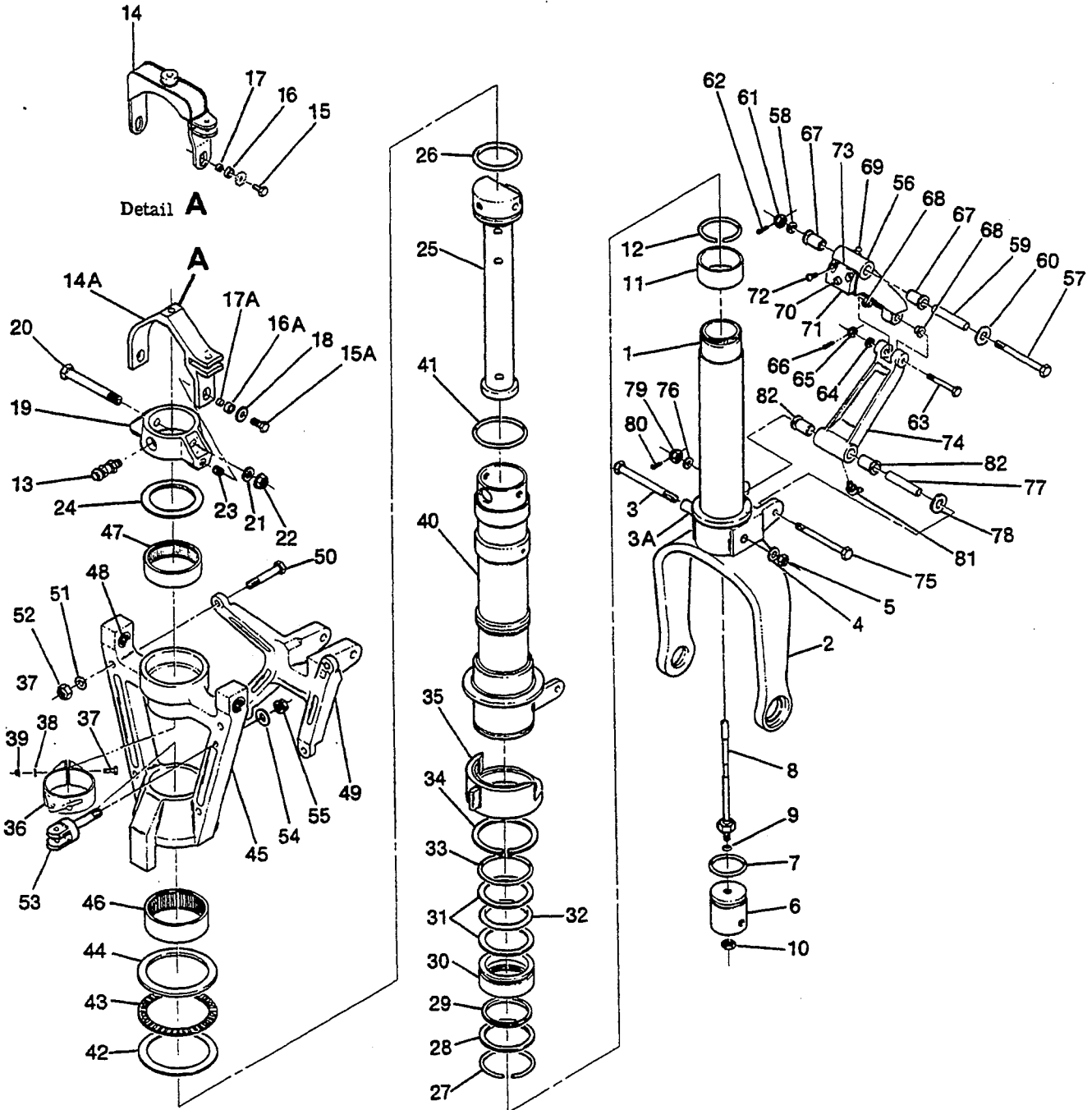
# 182 & T182 Parts Catalog

FIGURE AND INDEX NO.	PART NUMBER	DESCRIPTION							UNITS PER ASSY	USABLE ON CODE
		1	2	3	4	5	6	7		
62 -	0743621-200	SHOCK STRUT ASSY-NOSE GEAR -----							1	A
- 1	0743607-1	TUBE ASSY-SHOCK STRUT -----							1	
- 2	0743621-4	SHOCK STRUT ASSY-LOWER -----							1	
- 3	SK182-34	FORK & BARREL ASSY -----							NP	
		FORK-NOSE GEAR REPLACEMENT KIT -----							1	
		ATTACHING PARTS -----								
- 4	AN5-33A	BOLT -----							1	
- 5	MS21042L5	NUT -----							1	
		*-----								
- 6		FITTING-TORQUE LINK -----							NP	
		ATTACHING PARTS -----								
- 7	AN5-27A	BOLT -----							1	
- 8	MS21042L5	NUT -----							1	
		*-----								
- 9	0743612-1	BASE-METERING PIN -----							1	
-10	AN6227B26	O-RING -----							1	
-11	0743626-5	METERING PIN ASSY -----							1	
		ATTACHING PARTS -----								
-12	MS21042L4	NUT -----							1	
-13	AN6227B5	O-RING -----							1	
		*-----								
-14	0743621-9	ORIFICE PISTON SUPPORT ASSY -----							1	
-15	S1827-1	VALVE ASSY -----							1	
-16	AN6230B3	O-RING -----							1	
-17	0841200-19	LOCK RING -----							1	
-18	1243021-1	BEARING -----							1	
-19	0841200-25	LOCK RING -----							1	
-20	0841200-15	RING-PACK RETAINER -----							1	
-21	S11065-21	RING-SCRAPER SHWS -----							1	
-22	S1628-329	RING-BACKUP -----							2	
-23	AN6227B32	O-RING -----							1	
-24	1243626-1	RING-PACK SUPPORT -----							1	
-25	AN6230B6	O-RING -----							1	
-26	0543029	WASHER -----							1	
-27	0743601-1	COLLAR ASSY WEU 0743601-7 -----							1	
	0743601-7	COLLAR ASSY -----							1	
	AN944-101A	FITTING-LUBRICATOR -----							1	
-28	MS16624-1275	RETAINING RING -----							1	
-29	0442506-12	LINK ASSY-TORQUE UPPER -----							1	
		ATTACHING PARTS -----								
-30	AN4-31	BOLT -----							1	
-31	0543047-1	SPACER -----							1	
-32	S1450-6814-010	WASHER -----							AR	
-33	AN960-416L	WASHER -----							AR	
-34	AN310-4	NUT -----							1	
-35	MS24665-134	PIN-COTTER -----							1	
		*-----								
-36	NAS77-6-88	BUSHING -----							2	
-37	NAS77-3-23	BUSHING -----							2	
-38	AN944-101A	FITTING-LUBRICATOR -----							2	
-39	0442506-11	STOP PLUG -----							1	
-40	AN3H3A	BOLT -----							2	
-41	0442506-9	SAFETY PLUG -----							1	
-42	0442506-2	LINK ASSY-TORQUE LOWER -----							1	
		ATTACHING PARTS -----								
-43	AN4-31	BOLT -----							1	
-44	0543047-1	SPACER -----							1	
-45	S1450-6814-010	WASHER -----							AR	
-46	AN960-416L	WASHER -----							AR	
-47	AN310-4	NUT -----							1	
-48	MS24665-134	PIN-COTTER -----							1	
-49	NAS464-3-22	BOLT -----							1	
-50	AN960-10L	WASHER -----							1	
-51	AN310-3	NUT -----							1	
-52	MS24665-132	PIN-COTTER -----							1	
		*-----								
-53	NAS77-6-88	BUSHING -----							2	
-54	MS15002-3	FITTING-LUBRICATOR -----							1	
-55	0543032-3	PLACARD -----							1	
-56	1243030-5	SHIM .006 THICK -----							AR	
	1243030-6	SHIM .012 THICK -----							AR	
	1243030-7	SHIM .020 THICK -----							AR	
		A---182 SERIAL 18262466 & ON F182 SERIAL F18200001 THRU F18200169								
		B---182 SERIAL 18262466 THRU 18268354 F182 SERIAL F18200001 THRU F18200169								
		C---182 SERIAL 18268355 & ON								

B  
C  
C

# 182 & T182 Parts Catalog

## Aligning Gear (Cont)



**T182 SERIAL 18267716 & ON**

Figure 63. Nose Gear Shock Strut Assembly



# 182 & T182 Parts Catalog

FIGURE AND INDEX NO.	PART NUMBER	DESCRIPTION							UNITS PER ASSY	USABLE ON CODE
		1	2	3	4	5	6	7		
63 -	2243001-204	SHOCK STRUT ASSEMBLY-NOSE GEAR -----							1	A
- 1	2243001-201	SHOCK STRUT ASSY-LOWER -----							1	
- 2		FORK ASSY-NOSE GEAR -----							NP	
		ATTACHING PARTS -----								
- 3	AN5-34A	BOLT -----							1	
- 3A	NAS75-5-231	BUSHING -----							1	
- 4	AN960-516	WASHER -----							1	
- 5	MS21042L5	NUT -----							1	
		*-----								
	MS21209F4-15	INSERT -----							1	
- 6	0841200-56	PLUG -----							1	
- 7	MS28775-221	O-RING -----							1	
- 8	0743626-9	PIN ASSY-METERING -----							1	
		ATTACHING PARTS -----								
- 9	MS28775-010	O-RING -----							1	
-10	MS21042L4	NUT -----							1	
		*-----								
-11	1243021-1	BEARING -----							1	
-12	0841200-19	LOCK RING -----							1	
-13	S1827-1	VALVE ASSY -----							1	
-14	2243010-1	BELLCRANK ASSY WEU 2243017-1 -----							1	
-14A	2243017-1	* BELLCRANK-NOSE GEAR -----							1	
		ATTACHING PARTS -----								
-15	NAS464P3A3	BOLT -----							2	
-15A	NAS464P3A5	** BOLT -----							2	
-16	NAS75-5-004	SPACER -----							2	
-16A	NAS75-5-008	** BUSHING -----							2	
-17	S1003-91B	BUSHING -----							2	
-17A	S1003-98B	** BUSHING -----							2	
-18	S1450-3-12-063	WASHER -----							2	
		*-----								
-19	2243018-1	COLLAR ASSY -----							1	
		ATTACHING PARTS -----								
-20	AN5-31A	BOLT -----							1	
-21	AN960-516	WASHER -----							1	
-22	MS21042L5	NUT -----							1	
		*-----								
-23	MS21209F1-15	INSERT -----							2	
-24	1542009-2	WASHER -----							AR	
-25	2043004-1	HEAD & TUBE ASSY-SHOCK STRUT WEU 2443005-1 -----							1	B
	2443005-1	HEAD & TUBE ASSY-SHOCK STRUT -----							1	
-26	MS28775-225	PACKING -----							1	
-27	0841200-25	LOCK RING -----							1	
-28	0841200-15	RING-PACK RETAINER -----							1	
-29	S2418-1	RING-SCRAPER -----							1	
-30	1243626-1	RING-PACK SUPPORT -----							1	
-31	S1628-329	RING-BACK UP -----							2	
-32	MS28775-329	O-RING -----							1	
-33	MS28775-228	PACKING -----							1	
-34	MS16624-1275	SNAP RING -----							1	
-35	2043005-18	COLLAR ASSY -----							1	
-36	2243015-1	CLAMP ASSY-SHIMMY DAMPENER ATTACH FSO 2243028-1 -----							NP	D
	2243028-1	CLAMP ASSY-SHIMMY DAMPENER ATTACH -----							1	
		ATTACHING PARTS -----								
-37	AN3-5A	*** BOLT -----							1	D
	AN4-5A	BOLT -----							1	
-38	AN960-10	*** WASHER -----							2	D
	AN960-416	WASHER -----							2	
-39	MS21045L3	*** NUT -----							1	D
	MS21042L4	NUT -----							1	
		*-----								
-40	2043003-10	BARREL ASSY-NOSE GEAR -----							1	
-41	NAS1593-141	O-RING -----							1	
-42	S2014-9	RACE -----							1	
-43	S2013-4	BEARING -----							1	
-44	S2014-4	RACE -----							1	
		TRUNNION ASSY-NOSE GEAR -----							NP	
-45	2243003-7	TRUNNION -----							1	
-46	S1997-44G16	BEARING -----							1	
-47	S1997-40G12	BEARING -----							1	
-48	S1997-9G12	BEARING -----							2	

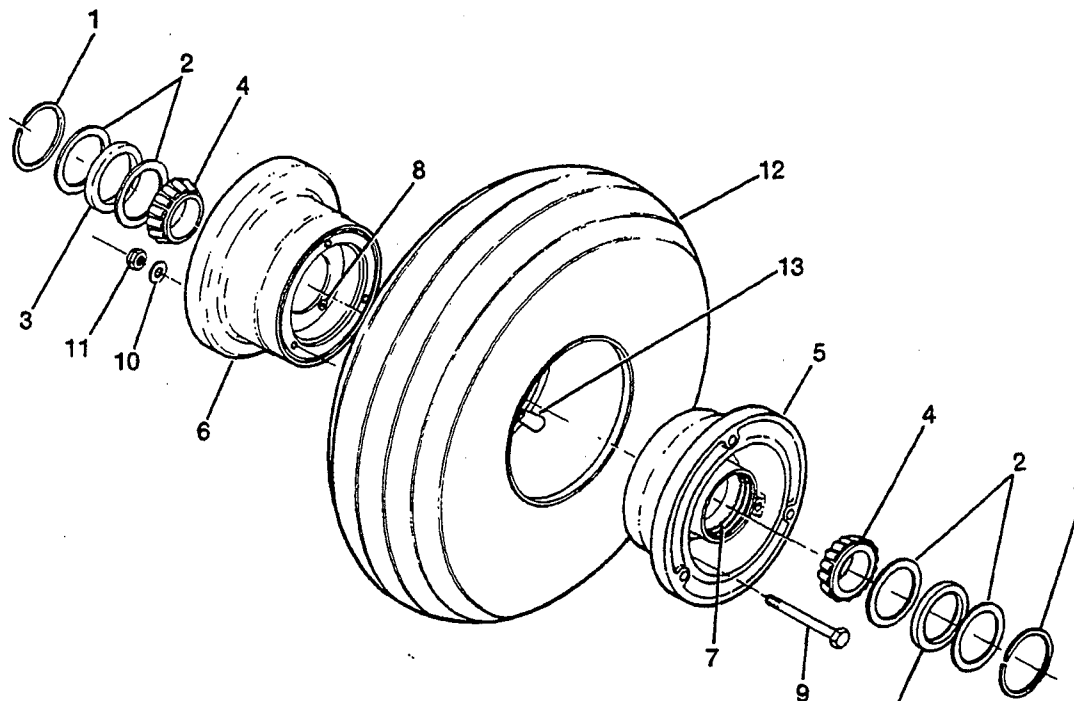
CONTINUED ON NEXT PAGE

# 182 & T182 Parts Catalog

FIGURE AND INDEX NO.	PART NUMBER	DESCRIPTION	1 2 3 4 5 6 7							UNITS PER ASSY	USABLE ON CODE
			1	2	3	4	5	6	7		
63 -49	2243002-2	FITTING-ACTUATOR ATTACH ----- ATTACHING PARTS								1	
-50	AN176-20A	BOLT UPPER -----								2	
	AN176-17A	BOLT LOWER -----								2	
-51	AN960D616	WASHER -----								4	
-52	MS21045L6	NUT -----								4	
		*-----									
-53	2243021-1	CLEVIS BOLT-SHIMMY DAMPENR ATTACH ----- ATTACHING PARTS								1	
-54	AN960-416L	WASHER -----								1	
-55	MS21042L4	NUT -----								1	
		*-----									
-56	2043011-6	TORQUE LINK ASSY-UPR ----- ATTACHING PARTS								1	
-57	AN4-30	BOLT -----								1	
-58	AN960-416	WASHER -----								1	
-59	0543047-1	SPACER -----								1	
-60	S1450-6B14-010	WASHER -----								AR	
-61	AN310-4	NUT -----								1	
-62	MS24665-134	PIN-COTTER -----								1	
-63	NAS464P3-22	BOLT -----								1	
-64	AN960-10L	WASHER -----								1	
-65	AN310-3	NUT -----								1	
-66	MS24665-132	PIN-COTTER -----								1	
		*-----									
-67	NAS77-6-88	BUSHING -----								2	
-68	NAS77-3-23	BUSHING -----								2	
	NAS516-1	FITTING -----								1	
-69	MS15002-1	FITTING-LUBE -----								1	
-70	602EN67-6B	SWITCH-SQUAT MCS -----								1	
	H11-1287	SWITCH-SQUAT ALT CUT -----								1	
-71	2043023-2	BLOCK-CENTERING ----- ATTACHING PARTS								1	
-72	S1570-8-12	SCREW -----								2	
-73	2043038-1	SHIM -----								AR	
	2043038-2	SHIM -----								AR	
	2043038-3	SHIM -----								AR	
	2043038-4	SHIM -----								AR	
	2043038-5	SHIM -----								AR	
		*-----									
-74	0442506-2	TORQUE LINK ASSY-LWR ----- ATTACHING PARTS								1	
-75	AN4-31	BOLT -----								1	
-76	AN960-416	WASHER -----								1	
-77	0543047-1	SPACER -----								1	
-78	S1450-6B14-010	WASHER -----								AR	
-79	AN310-4	NUT -----								1	
-80	MS24665-134	PIN -----								1	
		*-----									
-81	MS15002-3	FITTING-LUBE -----								1	
-82	NAS77-6-88	BUSHING -----								2	
<p>NOTE. *WHEN INITIALLY ORDERING 2243017-1 BELLCRANK AS A SPARE FOR 2243010-1 BELLCRANK, ALL PARTS MARKED ** MUST ALSO BE ORDERED</p> <p>NOTE. ***USED WITH 2243015-1 UNLESS MODIFIED BY SK182-84</p> <p>A---T182 SERIAL 18267716 &amp; ON            B---T182 SERIAL 18267716 THRU 18268055            C---T182 SERIAL 18268056 &amp; ON            D---T182 SERIAL 18267716 THRU 18268390            E---T182 SERIAL 18268391 &amp; ON</p>											

# 182 & T182 Parts Catalog

## Aligning Gear (Cont)



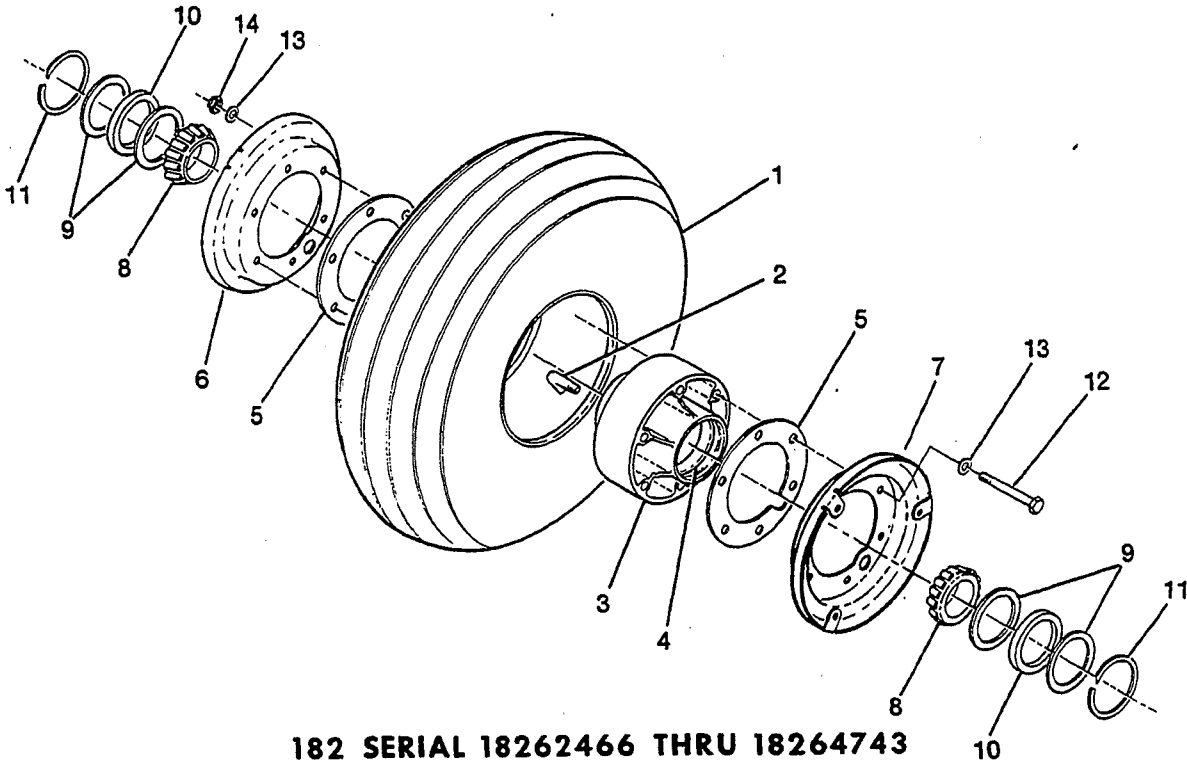
**182 SERIAL 18262466 & ON  
F182 SERIAL F1820001 THRU F18200169  
T182 SERIAL 18267716 & ON**

Figure 64. Nose Gear Wheel & Tire Assembly - Cleveland

FIGURE AND INDEX NO.	PART NUMBER	DESCRIPTION							UNITS PER ASSY	USABLE ON CODE
		1	2	3	4	5	6	7		
64 -		WHEEL ASSEMBLY-NOSE GEAR CLEVELAND -----							NP	A
- 1	1241156-12	WHEEL ASSEMBLY CFP 40-77 -----							1	
- 2	155-00200	RING CFP -----							2	
- 3	153-00800	RING-GREASE SEAL CFP -----							4	
- 4	154-00600	GREASE SEAL-FELT CFP -----							2	
- 5	214-00400	BEARING CFP -----							2	
- 6	161-03100	WHEEL HALF-MALE CFP -----							1	
- 7	162-02800	WHEEL HALF-FEMALE CFP -----							1	
- 8	214-00300	CUP-BEARING CFP -----							1	
- 9	217-00100	GROMMET CFP FEMALE HALF ONLY -----							1	
- 10	103-10500	BOLT -----							3	
- 11	095-10400	WASHER -----							3	
- 12	094-10300	NUT -----							3	
- 13	C262003-0202	TIRE	5.00 X 5	6 PLY RATED	-----			1		
	C262001-0202	TIRE	5.00X5	6 PLY RATED	WHITEWALL	-----		1		
	C262023-0101	TUBE	5.00 X 5	-----			1			
A---182 SERIAL 18262466 & ON F182 SERIAL F18200001 THRU F18200169 T182 SERIAL 18267716 & ON										

# 182 & T182 Parts Catalog

## Aligning Gear (Cont)

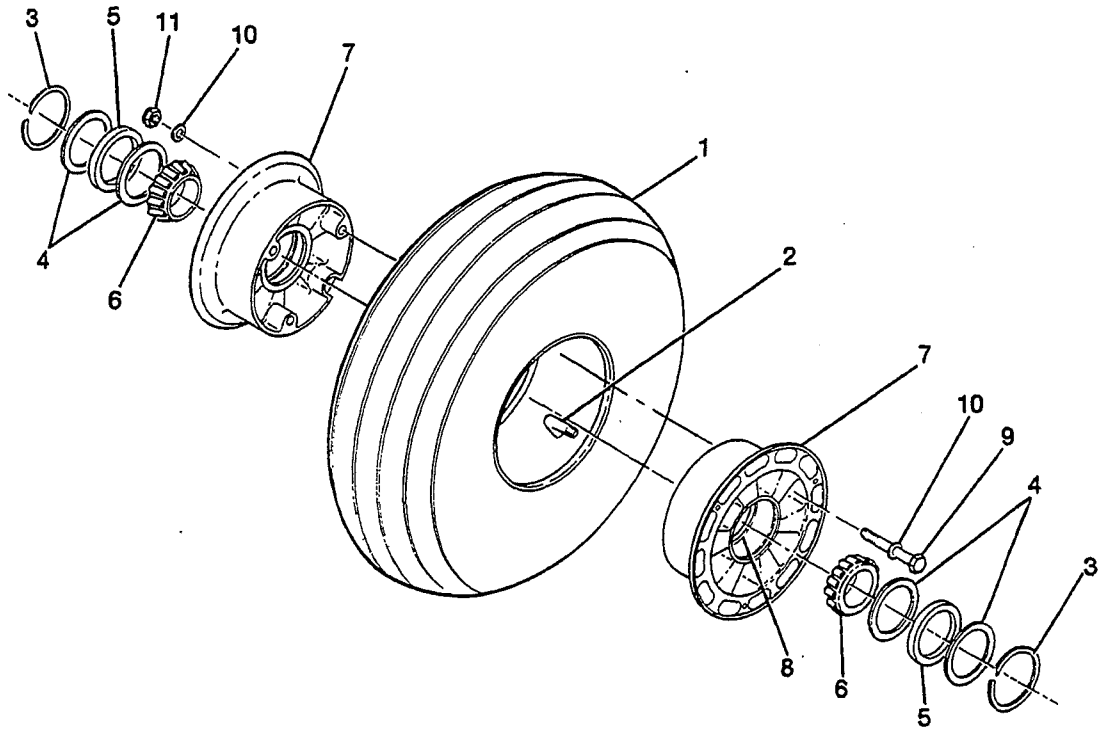


**182 SERIAL 18262466 THRU 18264743**  
**F182 SERIAL F1820001 THRU F18200025**  
 Figure 65. Nose Gear Wheel & Tire Assembly - McCauley (Alternate)

FIGURE AND INDEX NO.	PART NUMBER	DESCRIPTION							UNITS PER ASSY	USABLE ON CODE
		1	2	3	4	5	6	7		
65 -		WHEEL ASSY-NOSE GEAR	ALTERNATE	-----	-----	-----	-----	-----	NP	A
- 1	C262003-0202	TIRE-BLACKWALL	5.00X5	6 PLY RATED	-----	-----	-----	-----	1	
	C262001-0202	TIRE-WHITWALL	5.00X5	6 PLY RATED	-----	-----	-----	-----	1	
- 2	C262023-0101	TUBE-5.00X5	-----	-----	-----	-----	-----	-----	1	
	C163003-0401	WHEEL ASSY	MCL	-----	-----	-----	-----	-----	1	
- 3	C30057	HUB ASSY	MCL	-----	-----	-----	-----	-----	1	
- 4	A30078-1	CUP-BEARING	MCL	-----	-----	-----	-----	-----	2	
- 5	B30077	SPACER	MCL	-----	-----	-----	-----	-----	2	
- 6	C30172-1	FLANGE-WHEEL RH	MCL	-----	-----	-----	-----	-----	1	
- 7	C30172	FLANGE-WHEEL LH	MCL	-----	-----	-----	-----	-----	1	
- 8	A30078-2	CONE-BEARING	MCL	-----	-----	-----	-----	-----	2	
- 9	A30048	RETAINER-GREASE SEAL	-----	-----	-----	-----	-----	-----	4	
- 10	A30047	GREASE SEAL-FELT	MCL	-----	-----	-----	-----	-----	2	
- 11	A1636-23	RING-RETAINER	MCL	-----	-----	-----	-----	-----	2	
- 12	A2513-34	BOLT	MCL	-----	-----	-----	-----	-----	6	
- 13	A1638-15	WASHER	MCL	-----	-----	-----	-----	-----	12	
- 14	A1639-26	NUT	MCL	-----	-----	-----	-----	-----	6	
		A----182 SERIAL 18262466 THRU 18264743 F182 SERIAL F1820001 THRU F18200025								

# 182 & T182 Parts Catalog

Aligning Gear (Cont)



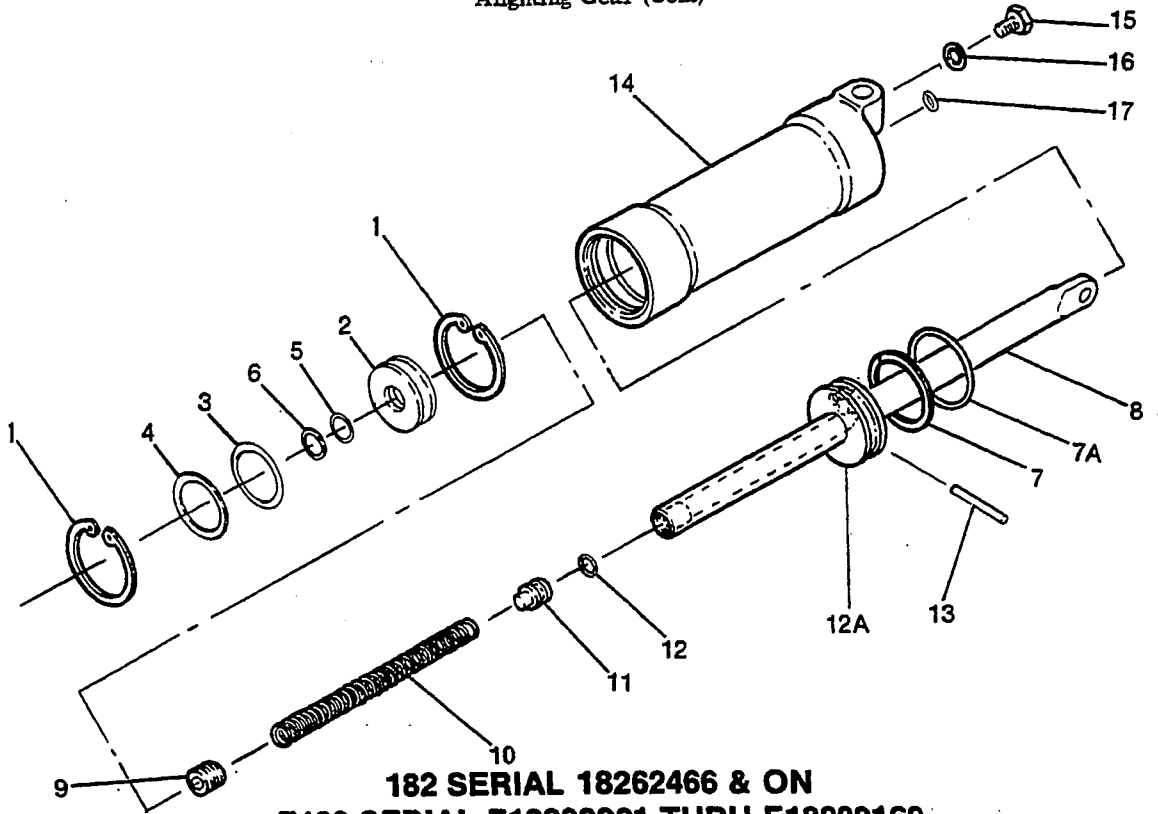
## 182 SERIAL 18264744 & ON F182 SERIAL F1820026 THRU F18200169

Figure 66. Nose Gear Wheel & Tire Assembly - McCauley (Alternate)

FIGURE AND INDEX NO.	PART NUMBER	DESCRIPTION							UNITS PER ASSY	USABLE ON CODE
		1	2	3	4	5	6	7		
66 -		NOSE GEAR WHEEL&TIRE ASSY	MCCAULEY	ALTERNATE	-----				NP	A
- 1	C262003-0212	TIRE	5.00X5	6 PLY RATED	-----				1	
- 2	C262023-0101	TUBE	5.00 X 5	-----					1	
	C163005-0201	WHEEL ASSY	-----						1	
- 3	A1636-23	RING-RETAINER	MCL	-----					2	
- 4	A30048	RETAINER-GREASE SEAL	MCL	-----					4	
- 5	A30047	GREASE SEAL-FELT	MCL	-----					2	
- 6	A30078-2	CONE-BEARING	MCL	-----					2	
- 7	C30598	WHEEL HALF ASSY	MCL	-----					2	
- 8	A30078-1	CUP-BEARING	MCL	-----					2	
- 9	AN5-22A	BOLT	-----						3	
-10	AN960-516	WASHER	-----						6	
-11	AN365-524A	NUT	-----						3	
<p>A---182 SERIAL 18264744&amp;ON F182 SERIAL F1820026 THRU F18200169</p>										

# 182 & T182 Parts Catalog

Aligning Gear (Cont)

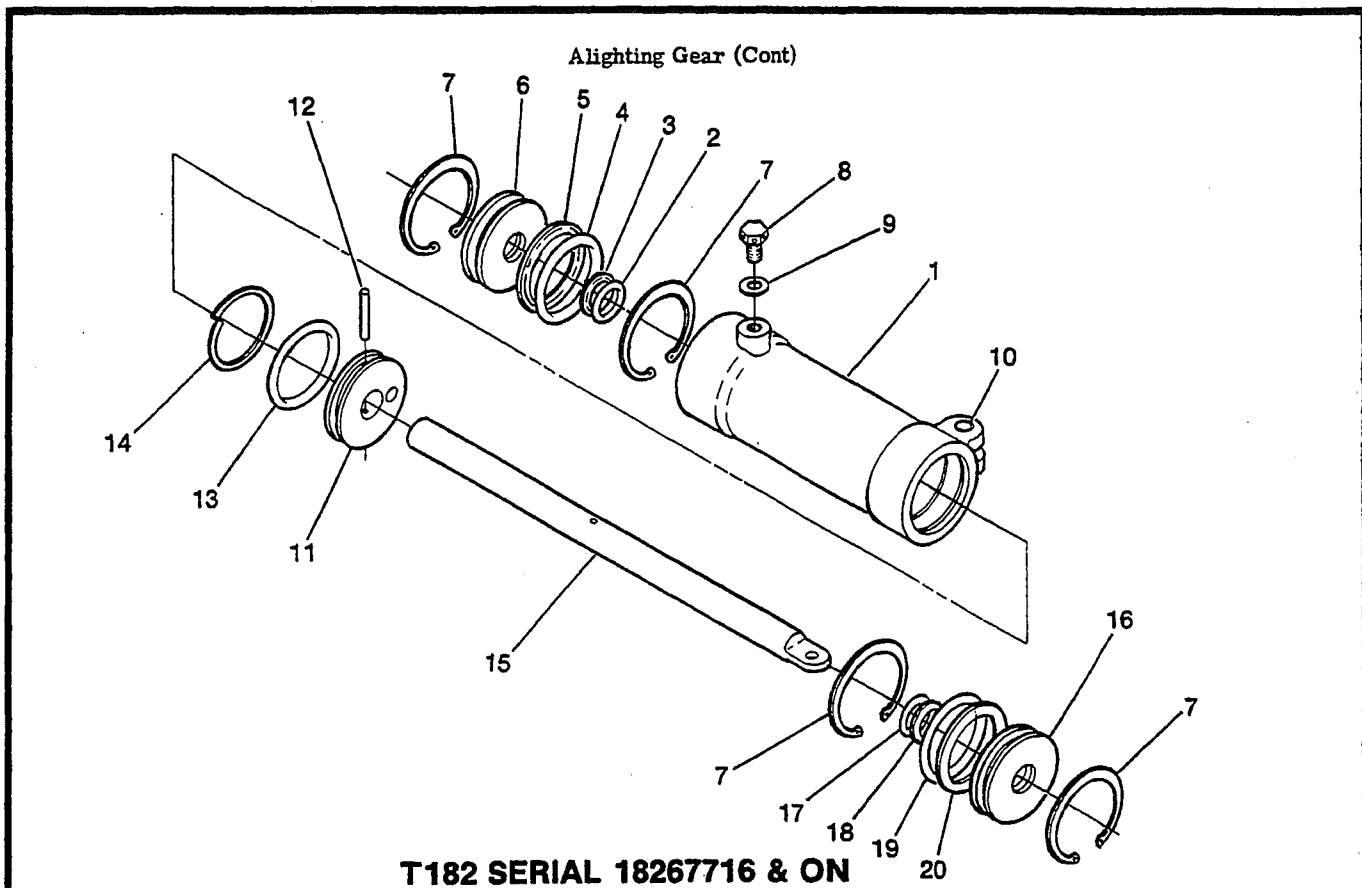


**182 SERIAL 18262466 & ON  
F182 SERIAL F1820001 THRU F18200169**

Figure 67. Shimmy Dampener Assembly

FIGURE AND INDEX NO.	PART NUMBER	DESCRIPTION							UNITS PER ASSY	USABLE ON CODE
		1	2	3	4	5	6	7		
67 -	0743624-1	SHIMMY DAMPENER ASSY -----							1	
- 1	MS16625-143	LOCK RING -----							2	
- 2	1442113-9	HEAD -----							1	
- 3	MS28775-027	PACKING RING -----							1	
- 4	S1628-027	BACKUP RING -----							1	
- 5	MS28775-112	PACKING RING -----							1	
- 6	S1628-112	BACKUP RING -----							1	
- 7	MS28782-22	RETAINER -----							1	
- 7A	AN6227B22	O-RING -----							1	
- 8	0743623-1	ROD ASSY-SHIMMY DAMPENER -----							1	
- 9	0743623-6	SET SCREW -----							1	
-10	0743623-3	SPRING -----							1	
-11	0743623-4	PISTON-FLOATING -----							1	
-12	AN6227B3	O-RING -----							1	
-12A	1442113-8	PISTON -----							1	
-13	NAS561P4-18	ROLL PIN -----							1	
-14	0743622-1	BARREL ASSY-SHIMMY DAMPENER -----							1	
-15	MS21209F4-20	HELI-COIL HELI -----							2	
-16	NAS563-11	BOLT -----							1	
-16	600-015-10-0.5	STAT-O-SEAL WFRC -----							1	
-17	AN6227B10	O-RING -----							1	
		A---182 SERIAL 18262466 & ON F182 SERIAL F1820001 THRU F18200169								

# 182 & T182 Parts Catalog



**T182 SERIAL 18267716 & ON**

Figure 68. Shimmy Dampener Assembly

FIGURE AND INDEX NO.	PART NUMBER	DESCRIPTION							UNITS PER ASSY	USABLE ON CODE
		1	2	3	4	5	6	7		
68 -	1442114-1	SHIMMY DAMPENER ASSEMBLY -----							1	A
- 1	1442112-1	BARREL-SHIMMY DAMPENER -----							1	
- 2	MS28775-112	PACKING RING -----							1	
- 3	S1628-112	BACKUP RING -----							1	
- 4	MS28775-027	PACKING RING -----							1	
- 5	S1628-027	BACKUP RING -----							1	
- 6	1442113-9	HEAD BEARING -----							1	
- 7	MS16625-1143	RETAINER RING-INTERNAL -----							4	
- 8	NAS563-11	BOLT -----							1	
- 9	600-015-10-100S	STAT-O-SEAL PKSC -----							1	
-10	NAS75-3-08	BUSHING -----							2	
-11	1442114-2	PISTON ASSEMBLY-SHIMMY DAMPENER -----							1	
-11	1442113-1	PISTON -----							1	
-12	NAS561P4-18	ATTACHING PARTS								
		ROLL PIN -----							1	
		*-----								
-13	AN6227-22	O-RING -----							1	
-14	MS28782-22	RETAINER -----							1	
-15	1442113-3	ROD -----							1	
-16	1442113-9	HEAD BEARING -----							1	
-17	MS28775-112	PACKING RING -----							1	
-18	S1628-112	BACKUP RING -----							1	
-19	MS28775-027	PACKING RING -----							1	
-20	S1628-027	BACKUP RING -----							1	

A---T182 SERIAL 18267716 & ON





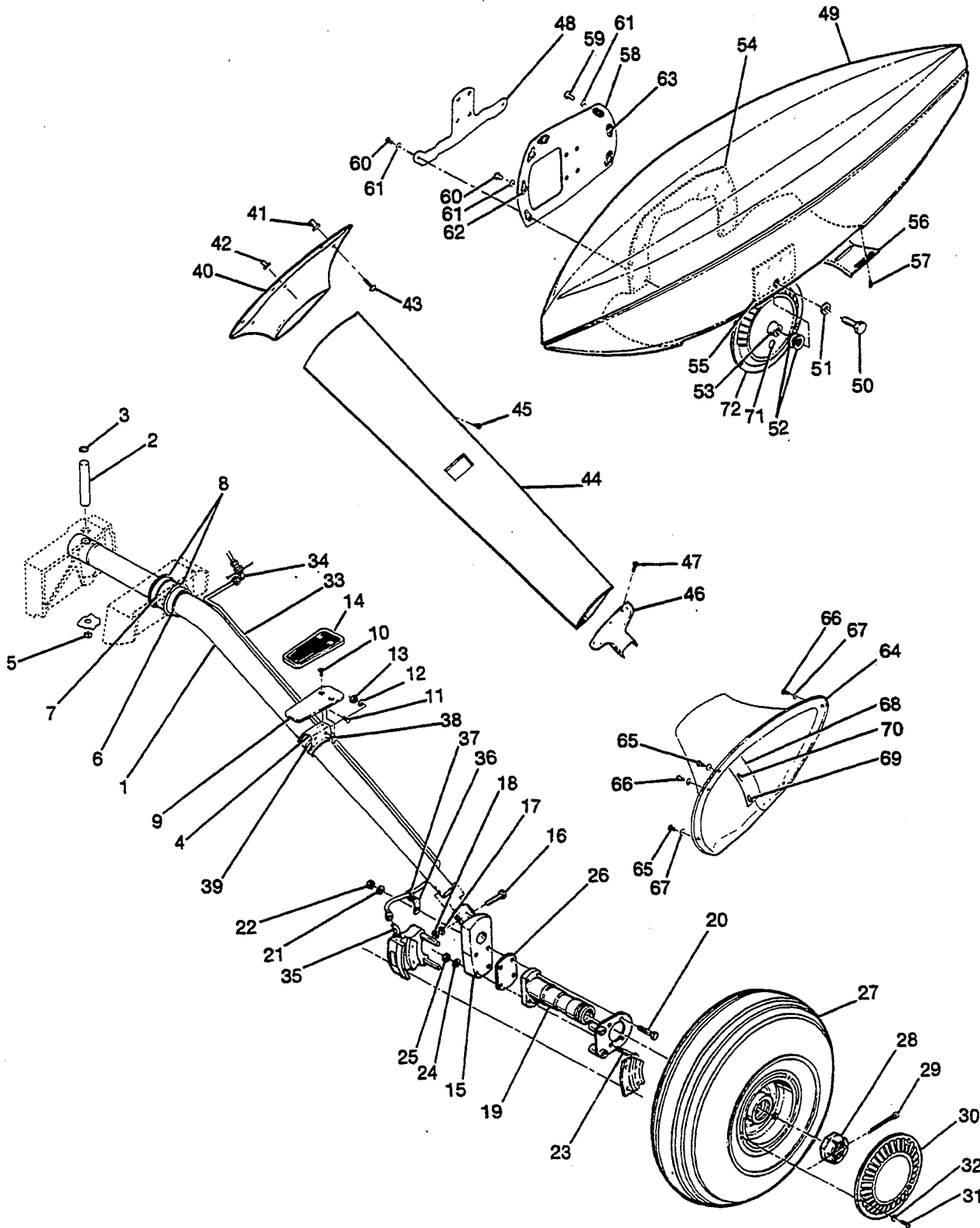
# 182 & T182 Parts Catalog

FIGURE AND INDEX NO.	PART NUMBER	DESCRIPTION							UNITS PER ASSY	USABLE ON CODE
		1	2	3	4	5	6	7		
69 -		LANDING GEAR INSTALLATION-MAIN -----							NP	A
- 1	0741630-1	SPRING ASSEMBLY-MAIN LANDING GEAR LH -----							1	
	0741630-2	SPRING ASSEMBLY-MAIN LANDING GEAR RH -----							1	
		ATTACHING PARTS -----								
- 2	1241214-2	PIN -----							1	
- 3	MS16625-1075	RING-RETAINING -----							1	
		*-----								
- 4	0741629-1	SUPPORT ASSEMBLY LH-STEP -----							1	
	0741629-2	SUPPORT ASSEMBLY RH-STEP -----							1	
- 5	CM2692-12P5S	PLUG BUTTON -----							1	
- 6	0741632-1	BUSHING ASSEMBLY-MAIN LANDING GEAR -----							1	
- 7	0741633-1	SPACER-MAIN LANDING GEAR BUSHING -----							1	
- 8	MS16624-1262	RING-RETAINER -----							2	
- 9	0741623-1	STEP ASSEMBLY -----							1	
		ATTACHING PARTS -----								
-10	AN509-10R8	SCREW -----							1	
-11	NAS221-9	SCREW -----							2	
-12	AN960-10L	WASHER -----							2	
-13	MS20364-1032C	NUT -----							2	
		*-----								
-14	0741623-4	TREAD-STEP -----							1	
-15	1741003-3	FITTING-MAIN GEAR AXLE LH -----							1	
	1741003-4	FITTING-MAIN GEAR AXLE RH -----							1	
		ATTACHING PARTS -----								
-16	NAS464P5LA30	BOLT -----							2	
-17	AN960-516L	WASHER -----							2	
-18	MS21042L5	NUT -----							2	
		*-----								
-19	0541124-1	AXLE-MAIN LANDING GEAR -----							1	
		ATTACHING PARTS -----								
-20	AN5-17A	BOLT -----							2	
	AN5-21A	BOLT USED WITH WHEEL FAIRINGS -----							2	
-21	AN960-516L	WASHER -----							2	
-22	MS21042L5	NUT -----							2	
-23	AN6-17A	BOLT -----							2	
	AN6-21A	BOLT USED WITH WHEEL FAIRINGS -----							2	
-24	AN960-616L	WASHER -----							2	
-25	MS21042L6	NUT -----							2	
		*-----								
-26	0441139-5	SHIM -----							AR	
	0441139-6	SHIM -----							AR	
	0541157-1	SHIM -----							AR	
	0541157-2	SHIM -----							AR	
	0541157-3	SHIM -----							AR	
	1241061-1	SHIM -----							AR	
-27	SEE FIG 70	WHEEL & BRAKE ASSEMBLY-MAIN GEAR -----							1	
		ATTACHING PARTS -----								
-28	S1117-24	NUT -----							1	
-29	MS24665-351	COTTER PIN -----							1	
		*-----								
-30	0741048-8	CAP-HUB -----							2	
		ATTACHING PARTS -----								
-31	AN515-8R4	SCREW -----							3	
-32	AN936A8	WASHER -----							3	
		*-----								
-33	0700099-93	LINE ASSEMBLY-BRAKE LH -----							1	
	0700099-92	LINE ASSEMBLY-BRAKE RH -----							1	
		ATTACHING PARTS -----								
-34	AN833-3D	ELBOW -----							1	
	AN960PD616	WASHER -----							2	
	AN924-3D	NUT -----							1	
-35	MS20822-3D	ELBOW -----							1	
-36	S2300-4	BRACKET -----							1	
-37	MS21919DG3	CLAMP -----							1	
	AN520-10R6	SCREW -----							1	
	MS21044N3	NUT -----							1	
-38	S1495-3	HOSE 1.30 IN LG BULK ITEM REF S1495-3-1.30 -----							1	
-39	S1693-6	STA-STRAP -----							1	
		*-----								

CONTINUED ON NEXT PAGE

# 182 & T182 Parts Catalog

## Alighting Gear (Cont)



182 SERIAL 18262466 THRU 18263475

Figure 69. Main Landing Gear Installation

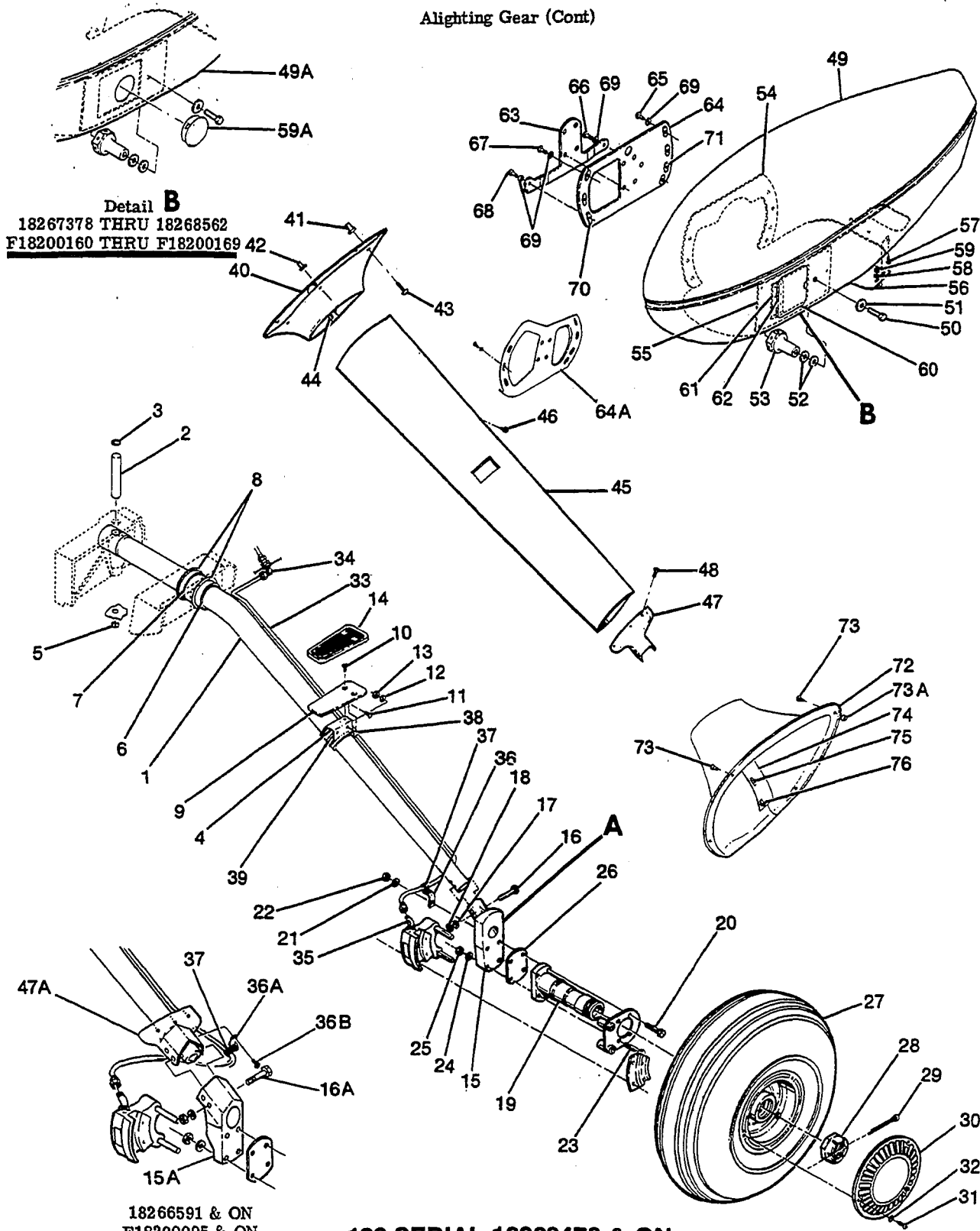
# 182 & T182 Parts Catalog

FIGURE AND INDEX NO.	PART NUMBER	DESCRIPTION							UNITS PER ASSY	USABLE ON CODE
		1	2	3	4	5	6	7		
69 -40	1741005-201	FAIRING ASSEMBLY-LH							1	
	1741005-251	FAIRING ASSEMBLY-LH							1	
	1741005-200	FAIRING ASSEMBLY-RH							1	
	1741005-252	FAIRING ASSEMBLY-RH							1	
		ATTACHING PARTS								
-41	NAS1329S3K80	NUT							4	
-42	NAS1329S3K130	NUT							2	
-43	AN520-10R12	SCREW							6	
		-----*								
	1741005-21	SPLICE PLATE ASSY-LH							1	
	1741005-22	SPLICE PLATE ASSY-RH							1	
	NAS680A06K	NUTPLATE							3	
-44	0741624-17	FAIRING ASSY-LH							1	
	0741624-18	FAIRING ASSY-RH							1	
	0741624-1	FAIRING ASSY-LH							1	
	0741624-2	FAIRING ASSY-RH							1	
-45	S1021Z8-6	SCREW							9	
	NAS395-16-3	NUTPLATE							9	
	NAS697A08K	NUTPLATE							3	
-46	0741622-1	COVER PLATE-LH							1	
	0741622-2	COVER PLATE-RH							1	
	0741622-3	COVER PLATE-LH							1	
	0741622-4	COVER PLATE-RH							1	
		ATTACHING PARTS								
-47	AN525-832R6	SCREW							3	
	NAS446-4-3	NUT							3	
		-----*								
		FAIRING INSTALLATION-MAIN LANDING GEAR							NP	
-48	1741022-1	STIFFENER-LH WHEEL FAIRING							1	
	1741022-2	STIFFENER-RH WHEEL FAIRING							1	
-49	0541203-15	FAIRING ASSY-WHEEL							1	
	0541203-14	FAIRING ASSY-WHEEL							1	
		ATTACHING PARTS								
-50	AN6-6A	BOLT							1	
-51	AN960-616L	WASHER							1	
-52	AN960-616	WASHER							2	
-53	0741047-2	NUT							1	
	MS24665-362	PIN-COTTER							1	
		-----*								
-54	0541206-1	DOUBLER-WHEEL FAIRING							1	
-55	0541207-1	DOUBLER-WHEEL FAIRING							1	
	NAS680A3	NUTPLATE							3	
-56	0541205-1	SCRAPER-WHEEL FAIRING							1	
		ATTACHING PARTS								
-57	AN520-10R16	SCREW							3	
	AN960-10	WASHER							6	
	MS21044N3	NUT							3	
		-----*								
-58	0741046-7	PLATE ASSEMBLY-MOUNTING LH							1	
	0741046-8	PLATE ASSEMBLY-MOUNTING RH							1	
		ATTACHING PARTS								
-59	AN525-10R12	SCREW							2	
-60	AN525-10R10	SCREW							2	
-61	S1450-309-032	WASHER							4	
		-----*								
-62	NAS686A3	NUTPLATE							4	
-63	NAS680A3K	NUTPLATE							3	
-64	0741634-17	FAIRING ASSEMBLY LH-BRAKE							1	
	0741634-18	FAIRING ASSEMBLY RH-BRAKE							1	
		ATTACHING PARTS								
-65	AN525-10R16	SCREW							3	
-66	AN525-10R14	SCREW							3	
-67	AN960PD10	WASHER							5	
		-----*								
-68	0741634-5	STIFFENER ASSEMBLY							1	
-69	S1862-1	NUTPLATE							2	
-70	S1863-2	NUTPLATE							2	
-71	6241M	VALVE-EXTENSION DL							1	
-72	0741048-7	CAP-WHEEL							2	
	AN515-BR4	SCREW							3	
	AN936AB	WASHER							3	

A---182 SERIAL 18262466 THRU 18263475

# 182 & T182 Parts Catalog

## Aligning Gear (Cont)



**Detail B**  
 18267378 THRU 18268562  
 F18200160 THRU F18200169

18266591 & ON  
 F18200095 & ON

**Detail A**

**182 SERIAL 18263476 & ON**  
**T182 SERIAL 18267716 & ON**  
**F182 SERIAL F18200001 THRU F18200169**

Figure 70. Main Landing Gear Installation

# 182 & T182 Parts Catalog

FIGURE AND INDEX NO.	PART NUMBER	DESCRIPTION							UNITS PER ASSY	USABLE ON CODE
		1	2	3	4	5	6	7		
70 -		MAIN LANDING GEAR INSTALLATION -----							NP	A
- 1	0741630-1	SPRING ASSY-MAIN LANDING GEAR LH -----							1	
	0741630-2	SPRING ASSY-MAIN LANDING GEAR RH -----							1	
		ATTACHING PARTS -----								
- 2	1241214-2	PIN -----							1	
- 3	MS16625-1075	RING-RETAINING -----							1	
		*-----								
- 4	0741629-1	SUPPORT ASSY LH-STEP -----							1	
	0741629-2	SUPPORT ASSY RH-STEP -----							1	
- 5	CM2692-12P5S	PLUG BUTTON -----							1	
- 6	0741632-1	BUSHING ASSY-MAIN LANDING GEAR -----							1	
- 7	0741633-1	SPACER-MAIN LANDING GEAR BUSHING -----							1	
- 8	MS16624-1262	RING-RETAINER -----							2	
- 9	0741623-1	STEP ASSY -----							1	
		ATTACHING PARTS -----								
-10	AN509-10R8	SCREW -----							1	
-11	NAS221-9	SCREW -----							2	
-12	AN960-10L	WASHER -----							2	
-13	MS20364-1032C	NUT -----							2	
		*-----								
-14	0741623-4	TREAD-STEP -----							1	
-15	1741003-3	FITTING-MAIN LANDING GEAR AXLE LH -----							1	
	1741003-4	FITTING-MAIN LANDING GEAR AXLE RH -----							1	
-15A	0741053-1	FITTING-MAIN LANDING GEAR AXLE LH -----							1	
	0741053-2	FITTING-MAIN LANDING GEAR AXLE RH -----							1	
		ATTACHING PARTS -----								
-16	NAS464P5LA30	BOLT -----							2	
-16A	NAS464P5LA33	BOLT -----							2	
-17	AN960-516L	WASHER -----							2	
-18	MS21042L5	NUT -----							2	
		*-----								
-19	0541124-1	AXLE-MAIN LANDING GEAR -----							1	
	1441003-1	AXLE-MAIN LANDING GEAR HEAVY DUTY -----							1	
		ATTACHING PARTS -----								
-20	AN5-17A	BOLT -----							2	
	AN5-20A	BOLT USED WITH WHEEL FAIRINGS -----							2	
-21	AN960-516L	WASHER -----							2	
-22	MS21042L5	NUT -----							2	
-23	AN6-17A	BOLT -----							2	
	AN6-23A	BOLT USED WITH WHEEL FAIRINGS -----							2	
-24	AN960-616L	WASHER -----							2	
-25	MS21042L6	NUT -----							2	
		*-----								
-26	0441139-5	SHIM -----							AR	
	0441139-6	SHIM -----							AR	
	0541157-1	SHIM -----							AR	
	0541157-2	SHIM -----							AR	
	0541157-3	SHIM -----							AR	
	1241061-1	SHIM -----							AR	
-27	SEE FIG 71	WHEEL & BRAKE ASSY-MAIN GEAR -----							1	
		ATTACHING PARTS -----								
-28	S1117-24	NUT -----							1	
-29	MS24665-351	COTTER PIN -----							1	
		*-----								
-30	0741048-8	HUB CAP -----							2	F
		ATTACHING PARTS -----								
-31	AN515-8R4	SCREW -----							3	
-32	AN936A8	WASHER -----							3	
		*-----								

CONTINUED ON NEXT PAGE

# 182 & T182 Parts Catalog

FIGURE AND INDEX NO.	PART NUMBER	DESCRIPTION	UNITS PER ASSY							USABLE ON CODE
			1	2	3	4	5	6	7	
70 -33	0700099-93 0700099-92	LINE ASSY-BRAKE LH ----- LINE ASSY-BRAKE RH -----	1 1							
		ATTACHING PARTS								
-34	AN833-3D AN960PD616 AN924-3D	ELBOW ----- WASHER ----- NUT -----	1 2 1							
-35	MS20822-3D AN921-3D AN924-3D	ELBOW ----- ELBOW ----- NUT -----	1 1 1							J K K K D E E
-36	MS28778-3 S2300-4	PACKING ----- BRACKET -----	1 1							
-36A	AN743-12	BRACKET -----	1							
-36B	AN525-832R6	SCREW BRACKET ATTACH -----	1							
-37	MS21919DG3 AN520-10R6 MS21044N3	CLAMP ----- SCREW ----- NUT -----	1 1 1							
-38	S1495-3	HOSE -----	1							
-39	S1693-6	STA-STRAP -----	1							
		*-----								
-40	1741005-201 1741005-251 1741005-200 1741005-252 0741052-201 0741052-200	FAIRING ASSY-LH VESTAL WHITE ----- FAIRING ASSY-LH PAINT TO MATCH A/C COLOR ----- FAIRING ASSY-RH VESTAL WHITE ----- FAIRING ASSY-RH PAINT TO MATCH A/C COLOR ----- FAIRING ASSY-LH ----- FAIRING ASSY-RH -----	1 1 1 1 1 1							B B B B C C
		ATTACHING PARTS								
-41	NAS1329S3K80	NUT -----	4							
-42	NAS1329S3K130 NAS1329S3K130	NUT ----- NUT -----	2 1							B C
-43	AN520-10R12	SCREW -----	6							
		*-----								
-44	1741005-21 1741005-22 NAS680A06K AN515-6R6	SPLICE PLATE ASSY-LH ----- SPLICE PLATE ASSY-RH ----- NUTPLATE ----- SCREW -----	1 1 3 3							B B B B
-45	0741639-5 0741639-6	FAIRING ASSY-LH ----- FAIRING ASSY-RH -----	1 1							
-46	S102178-6 NAS395-16-3	SCREW ----- NUTPLATE -----	10 10							
-47	0741640-1 0741640-2	COVER PLATE ASSY-LH ----- COVER PLATE ASSY-RH -----	1 1							D D E E
-47A	0741642-1 0741642-2	COVER PLATE ASSY-LH ----- COVER PLATE ASSY-RH -----	1 1							D D E E
		ATTACHING PARTS								
-48	AN525-832R6	SCREW -----	3							
		*-----								
	NAS696A08K NAS696A08K	NUTPLATE ----- NUTPLATE -----	3 4							D E
-49	0541223-23 0541223-22	FAIRING INSTALLATION-MAIN LANDING GEAR ----- FAIRING ASSY LH-WHEEL ----- FAIRING ASSY RH-WHEEL -----	1 1 1							G G H H
-49A	0541223-41 0541223-42	FAIRING ASSY LH-WHEEL WEU0541223-23 ----- FAIRING ASSY RH-WHEEL WEU0541223-22 -----	1 1							
		ATTACHING PARTS								
-50	AN6-6A	BOLT -----	1							
-51	AN960-616L	WASHER -----	1							
-52	AN960-616	WASHER -----	1							AR
-53	0741047-2 MS24665-362	NUT ----- COTTER PIN -----	1 1							
		*-----								
-54	0741050-1 1241115-3 0741050-2 1241115-4 NAS680A08	DOUBLER LH-WHEEL FAIRING WEU 1241115-3 ----- DOUBLER LH-WHEEL FAIRING ----- DOUBLER RH-WHEEL FAIRING WEU 1241115-4 ----- DOUBLER RH-WHEEL FAIRING ----- NUTPLATE -----	1 1 1 1 6							
-55	0541222-1	DOUBLER -----	1							
-56	0541221-1	SCRAPER-WHEEL FAIRING -----	1							
		ATTACHING PARTS								
-57	AN520-10R12	SCREW -----	3							
-58	AN960-10	WASHER -----	6							
-59	MS21044N3	NUT -----	3							
		*-----								
-59A	S2446-32	PLUG -----	1							H

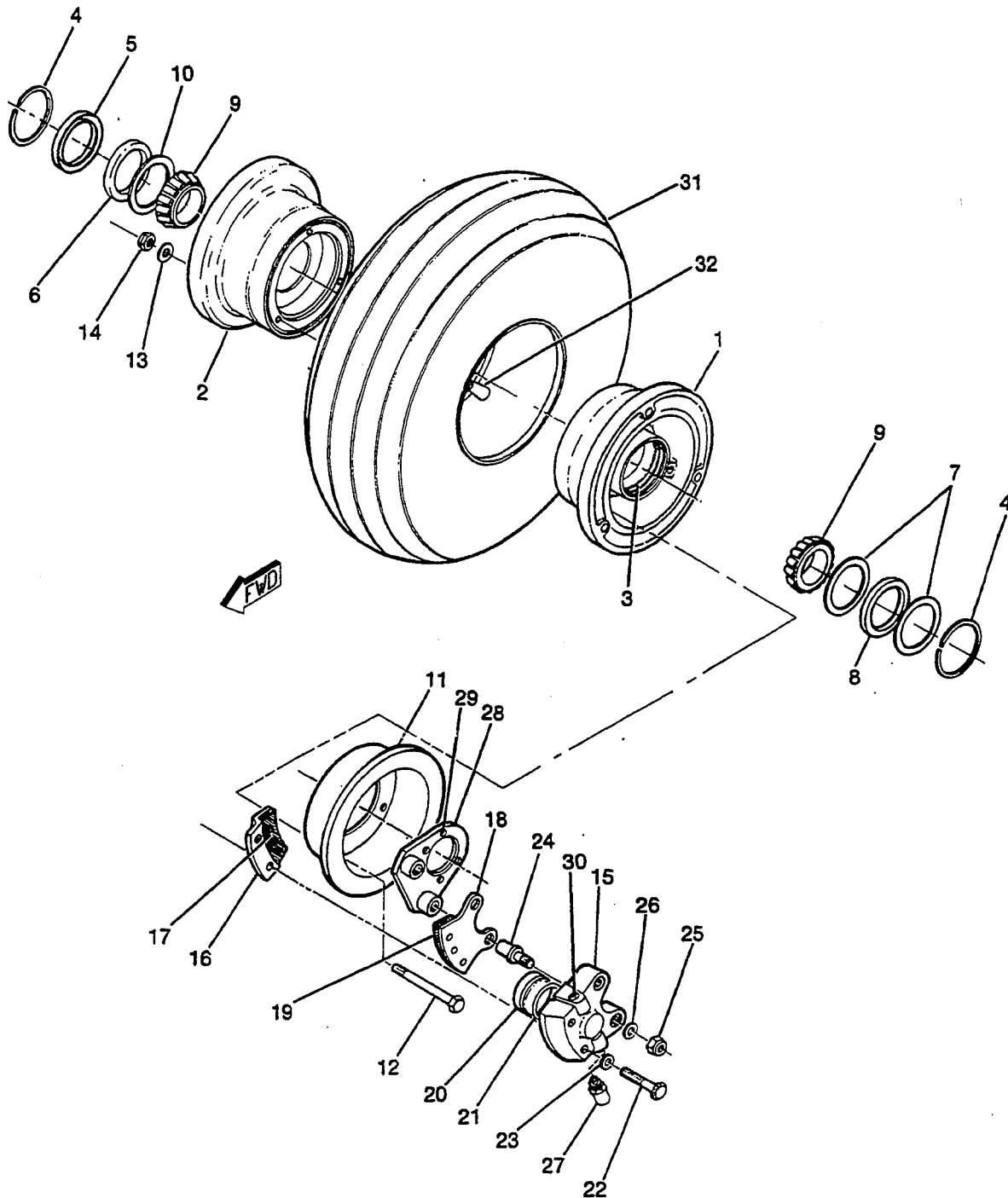
CONTINUED ON NEXT PAGE

# 182 & T182 Parts Catalog

FIGURE AND INDEX NO.	PART NUMBER	DESCRIPTION							UNITS PER ASSY	USABLE ON CODE
		1	2	3	4	5	6	7		
70 -60	0543084-1	DOOR ASSY-ACCESS -----							1	G G
-61	0543085-1	HINGE ASSY -----							1	
	0543085-2	HINGE HALF ATTACH TO FAIRING -----							1	
	0543085-3	HINGE HALF ATTACH TO DOOR ASSY -----							1	
	MS20253P2-292	PIN-HINGE -----							1	
-62	0543086-1	SPRING -----							1	
-63	0741051-5	STIFFENER LH-WHEEL FAIRING -----							1	
	0741051-6	STIFFENER RH-WHEEL FAIRING -----							1	
-64	0741049-5	PLATE ASSY-LH-MOUNTING WEU 1241114-1 -----							1	
	0741049-6	PLATE ASSY-RH-MOUNTING WEU 1241114-2 -----							1	
-64A	1241114-1	PLATE ASSY-LH MOUNTING -----							1	
	1241114-2	PLATE ASSY-RH MOUNTING -----							1	
		ATTACHING PARTS								
-65	AN525-10R9	SCREW -----							3	
-66	AN525-10R10	SCREW -----							1	
-67	AN525-10R6	SCREW -----							2	
-68	AN525-10R7	SCREW -----							1	
-69	S1450-3D9-032	WASHER -----							7	
		*-----								
-70	NAS680A3	NUTPLATE -----							3	
-71	NAS686A3	NUTPLATE -----							4	
-72	0741641-15	FAIRING ASSY LH-BRAKE -----							1	
	0741641-14	FAIRING ASSY RH-BRAKE -----							1	
		ATTACHING PARTS								
-73	AN525-832R12	SCREW -----							6	
		*-----								
-73A	S1554-4	WASHER -----							12	
-74	0741641-5	STIFFENER ASSEMBLY -----							1	
		ATTACHING PARTS								
	S1021Z6-6	SCREW -----							4	
		*-----								
-75	S1863-2	NUTPLATE -----							2	
-76	S1863-1	NUTPLATE -----							2	
	6241M	EXTENSION VALVE DL -----							1	
<p>A---182 SERIAL 18263476 &amp; ON  T182 SERIAL 18267716 &amp; ON  F182 SERIAL F18200001 THRU F18200169</p> <p>B---182 SERIAL 18263476 THRU 18264295</p> <p>C---182 SERIAL 18264296 &amp; ON  T182 SERIAL 18267716 &amp; ON  F182 SERIAL F18200001 THRU F18200169</p> <p>D---182 SERIAL 18263476 THRU 18266590  F182 SERIAL F18200001 THRU F18200094</p> <p>E---182 SERIAL 18266591 &amp; ON  T182 SERIAL 18267716 &amp; ON  F182 SERIAL F18200095 THRU F18200169</p> <p>F---182 SERIAL 18263476 THRU 18266590  F182 SERIAL F18200001 THRU F18200094</p> <p>G---182 SERIAL 18263476 THRU 18267377  182 &amp; T182 SERIAL 18268563 &amp; ON  F182 SERIAL F18200001 THRU F18200159</p> <p>H---182 SERIAL 18267378 THRU 18268562  T182 SERIAL 18267716 THRU 18268562  F182 SERIAL F18200160 THRU F18200169</p> <p>J---182 SERIAL 18263476 THRU 18267718  F182 SERIAL F18200001 THRU F18200169</p> <p>K---182 SERIAL 18267719 &amp; ON  T182 SERIAL 18267716 &amp; ON</p>										

# 182 & T182 Parts Catalog

## Aligning Gear (Cont)



**182 SERIAL 18262466 THRU 18267715**  
**F182 SERIAL F18200001 THRU F18200169**  
Figure 71. Main Landing Gear Wheel & Brake Assembly (Alternate)

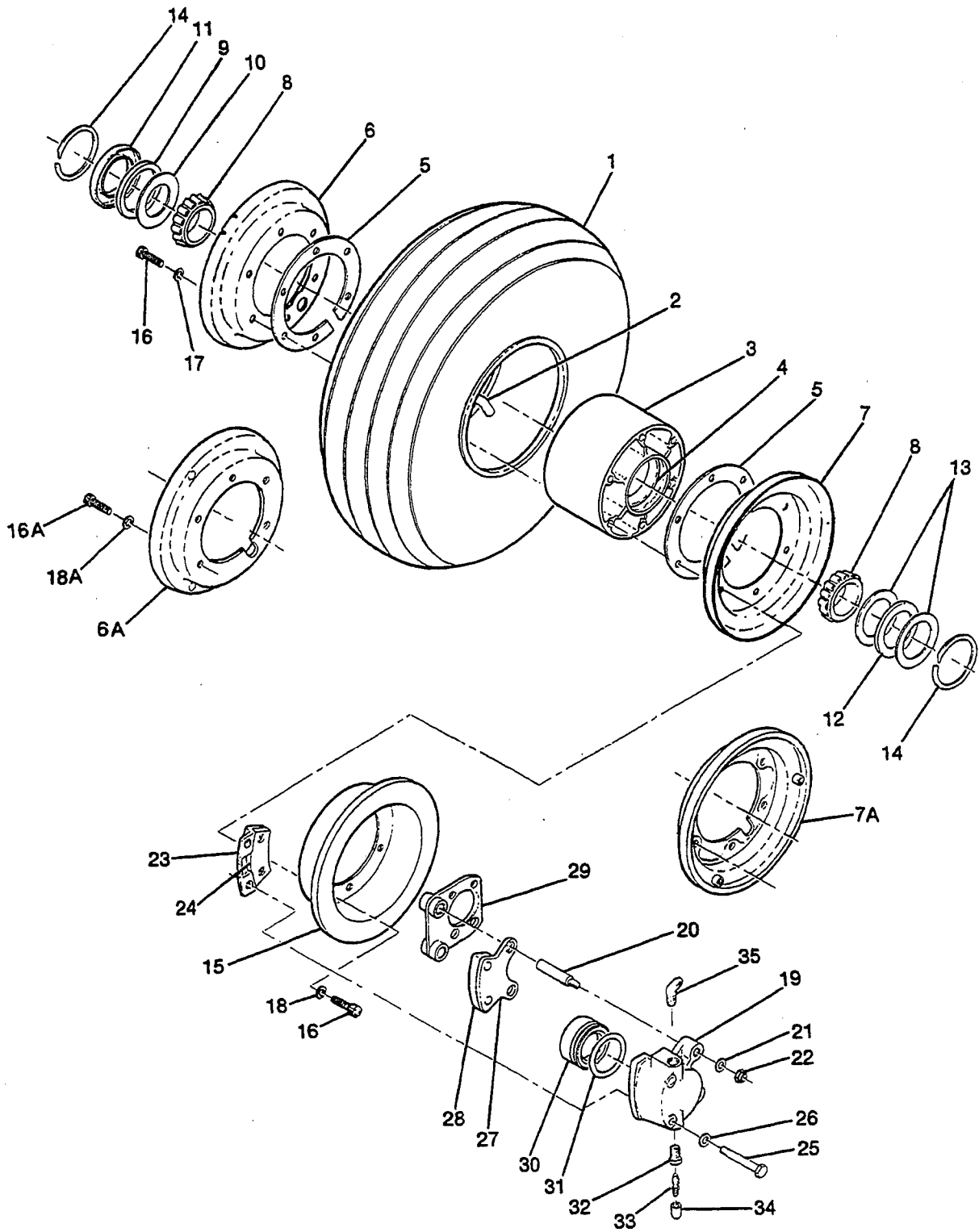


# 182 & T182 Parts Catalog

FIGURE AND INDEX NO.	PART NUMBER	DESCRIPTION	UNITS PER ASSY	USABLE ON CODE					
			1 2 3 4 5 6 7						
71 -	C163001-0104	WHEEL & BRAKE ASSEMBLY-MAIN LANDING GEAR ALT -----	NP	A					
- 1	161-04900	WHEEL ASSEMBLY-MAIN GEAR CFP 40-113 -----	1						
- 2	162-04700	WHEEL HALF ASSEMBLY-MALE CFP -----	1						
- 3	214-00100	WHEEL HALF ASSEMBLY-FEMALE CFP -----	1						
- 4	155-00100	CUP-BEARING -----	1						
- 5	153-01500	SNAP RING CFP -----	1						
- 6	154-01300	RING-GREASE SEAL CFP -----	1						
- 7	153-00400	FELT-GREASE SEAL CFP -----	1						
- 8	154-00300	RING-GREASE SEAL CFP -----	2						
- 9	214-00200	FELT-GREASE SEAL CFP -----	1						
-10	153-00300	CONE-BEARING CFP -----	2						
-11	164-04000	RING-GREASE SEAL CFP -----	1						
-12	103-11000	DISC ASSEMBLY-BRAKE CFP -----	1						
-13	095-10400	BOLT -----	3						
-14	094-10300	WASHER -----	3						
	C163030-0113 **	NUT -----	3						
	091-04400	BRAKE ASSEMBLY -----	1						
-15	061-03700	CYLINDER ASSEMBLY CFP -----	1						
-16	074-01000	CYLINDER CFP -----	1						
-17	066-03000	BACK PLATE ASSEMBLY CFP -----	1						
	105-00200	LINING -----	1						
-18	073-01100	RIVET CFP -----	AR						
-19	066-03000	PRESSURE PLATE ASSEMBLY CFP -----	1						
	105-00200	LINING CFP -----	1						
-20	092-01700	RIVET CFP -----	AR						
-21	101-05200	PISTON ASSEMBLY CFP -----	1						
-22	103-11700	O-RING -----	1						
-23	095-10200	BOLT CFP -----	2						
-24	069-00400	WASHER -----	2						
-25	094-10300	BOLT-ANCHOR CFP -----	2						
-26	095-10200	NUT -----	2						
-27	079-00300	WASHER -----	2						
	183-00100	SCREW-BLEEDER CFP -----	1						
-28	075-03700	CAP-BLEEDER SCREW CFP -----	1						
-29	145-01000	SEAT-BLEEDER SCREW CFP -----	1						
-30	AN914-1D	TORQUE PLATE ASSEMBLY CFP -----	1						
-31	C262003-0204	BUSHING-TORQUE PLATE -----	2						
-32	C262023-0102	ELBOW USED WITH C163030-0107 & -0113 ASSY -----	1						
		TIRE 6.00X6 -----	1						
		TUBE 6.00X6 -----	1						
<p>NOTE. **BRAKE ASSEMBLIES DESCRIBED ARE NORMALLY LH - REVERSE FITTINGS &amp; TORQUE PLATE BUSHINGS FOR RH INSTALLATION.</p> <p>A---182 SERIAL 18262466 THRU 18267715 F182 SERIAL F18200001 THRU F18200169</p>									

# 182 & T182 Parts Catalog

## Landing Gear (Cont)



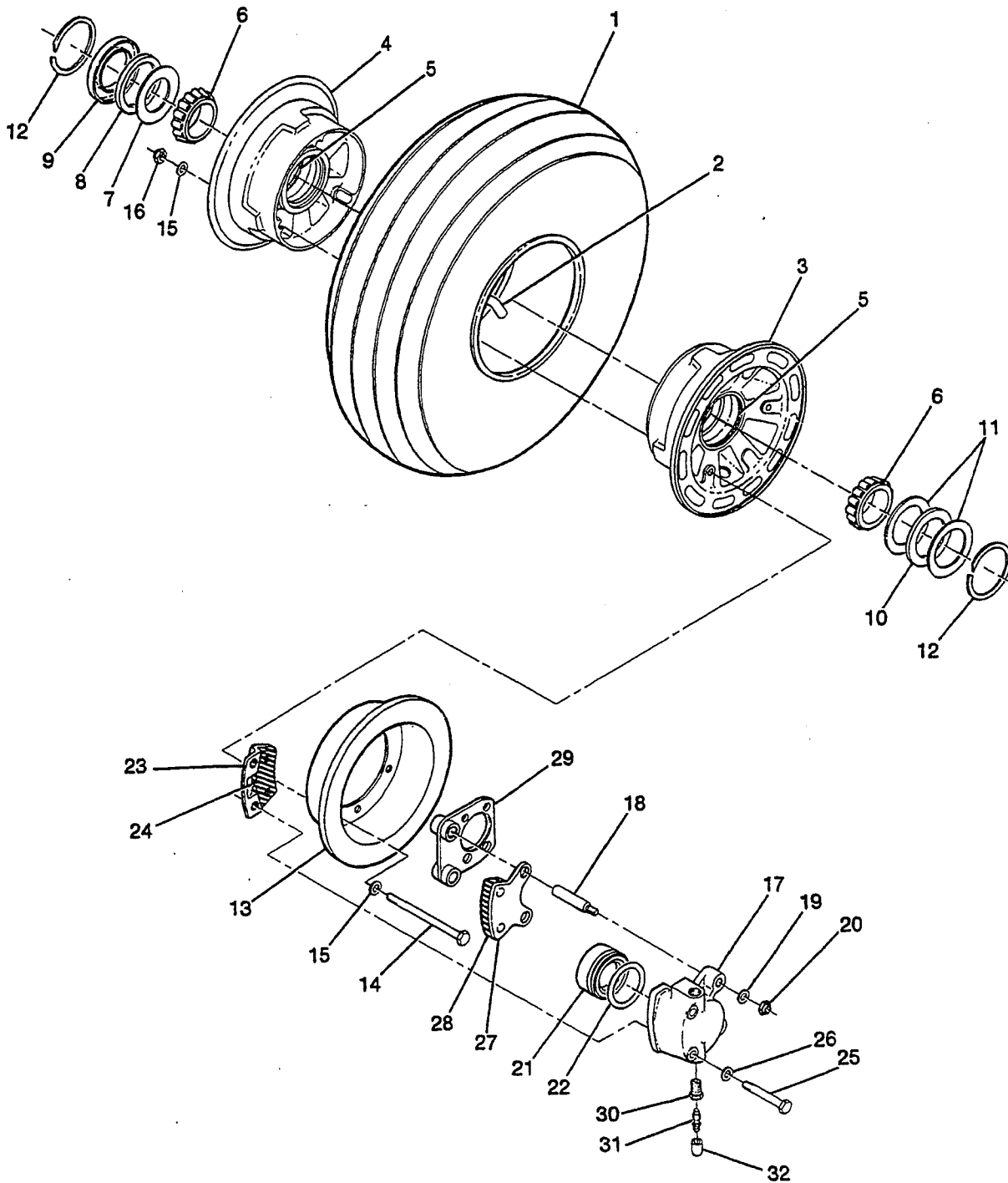
182 SERIAL 18262466 THRU 18265328  
F182 SERIAL F18200001 THRU F18200075  
Figure 72. Main Landing Gear Wheel & Brake Assembly

# 182 & T182 Parts Catalog

FIGURE AND INDEX NO.	PART NUMBER	DESCRIPTION							UNITS PER ASSY	USABLE ON CODE
		1	2	3	4	5	6	7		
72 -		<b>WHEEL &amp; BRAKE ASSY-MAIN LANDING GEAR -----</b>							NP	A
- 1	C262003-0204	TIRE 6.00X6 -----							1	
- 2	C262023-0102	TUBE 6.00X6 -----							1	
	C163003-0102 **	WHEEL ASSY-MAIN GEAR MCL -----							1	B
	C163004-0104	WHEEL ASSY-MAIN GEAR MCL -----							1	C
- 3	D30259	HUB ASSY MCL -----							1	
- 4	A30079-1	CUP BEARING MCL -----							2	
- 5	B30076	SPACER MCL -----							2	
- 6	C30163-6	FLANGE-WHEEL MCL OUTBD -----							1	B
- 6A	D30222	FLANGE-WHEEL MCL OUTBD -----							1	C
- 7	C30163-4	FLANGE-WHEEL MCL INBD -----							1	C
- 7A	D30210	FLANGE-WHEEL MCL INBD -----							1	
- 8	A30079-2	CONE-BEARING MCL -----							2	
- 9	A30010	GREASE SEAL-FELT MCL -----							1	
- 10	A30015	RETAINER-GREASE SEAL MCL -----							1	
- 11	A30014	RETAINER-GREASE SEAL MCL -----							1	
- 12	A30011	GREASE SEAL-FELT MCL -----							1	
- 13	A30013	RETAINER-GREASE SEAL MCL -----							2	
- 14	A1636-24	RING-RETAINER MCL -----							2	
- 15	B30195	DISC ASSY MCL -----							1	B
	B30440	DISC ASSY MCL -----							1	C
- 16	A1635-73	BOLT MCL -----							12	B
- 16A	A1635-79	SCREW MCL -----							12	C
- 17	A1638-30	WASHER MCL -----							6	B
- 18	A1638-1	WASHER MCL -----							6	B
- 18A	A1638-1	WASHER MCL -----							6	C
	C163032-0107 %*	<b>BRAKE ASSY -----</b>							1	
	C30019	CYLINDER ASSY MCL -----							1	
- 19	C30041	CYLINDER MCL -----							1	
- 20	A30023	PIN-GUIDE MCL -----							2	
- 21	AN960-416L	WASHER -----							2	
- 22	MS20364-428A	NUT -----							2	
- 23	B30027	BACK PLATE ASSY MCL -----							1	
- 24	B30026	LINING-BRAKE MCL -----							1	
	A30087	RIVET MCL -----							2	
- 25	AN4H21A	BOLT -----							2	
- 26	AN960-416L	WASHER -----							2	
- 27	B30024	PRESSURE PLATE ASSY MCL -----							1	
- 28	B30026	LINING-BRAKE MCL -----							1	
	A30087	RIVET MCL -----							2	
- 29	B30594	TORQUE PLATE ASSY MCL -----							1	
- 30	A30021	PISTON ASSY MCL -----							1	
- 31	AN6230B2	O-RING -----							1	
- 32	A30030	FITTING-BLEEDER MCL -----							1	
- 33	A30085	FITTING-BLEEDER MCL -----							1	
- 34	A30040	CAP-DUST MCL -----							1	
- 35	MS20822-3D	ELBOW -----							1	
	R561	RIVET SET KIT -----							1	
<p>NOTE. *BRAKE ASSEMBLIES DESCRIBED ARE NORMALLY LH-REVERSE FITTINGS &amp; TORQUE PLATE ASSY FOR RH INSTALLATIONS.</p> <p>NOTE. %THIS BRAKE ASSY MUST BE USED WITH C163003-0102 OR C163004-0104 WHEEL ASSEMBLIES ONLY.</p> <p>NOTE. **THIS WHEEL ASSEMBLY MUST BE USED ONLY ON AIRCRAFT ORIGINALLY EQUIPPED WITH C163003-0102 MAIN GEAR WHEELS.</p> <p>A---182 SERIAL 18262466 THRU 18265328            F182 SERIAL F18200001 THRU F18200073            B---182 SERIAL 18262466 THRU 18264307            C---182 SERIAL 18264308 THRU 18265328</p>										

# 182 & T182 Parts Catalog

## Aligning Gear (Cont)



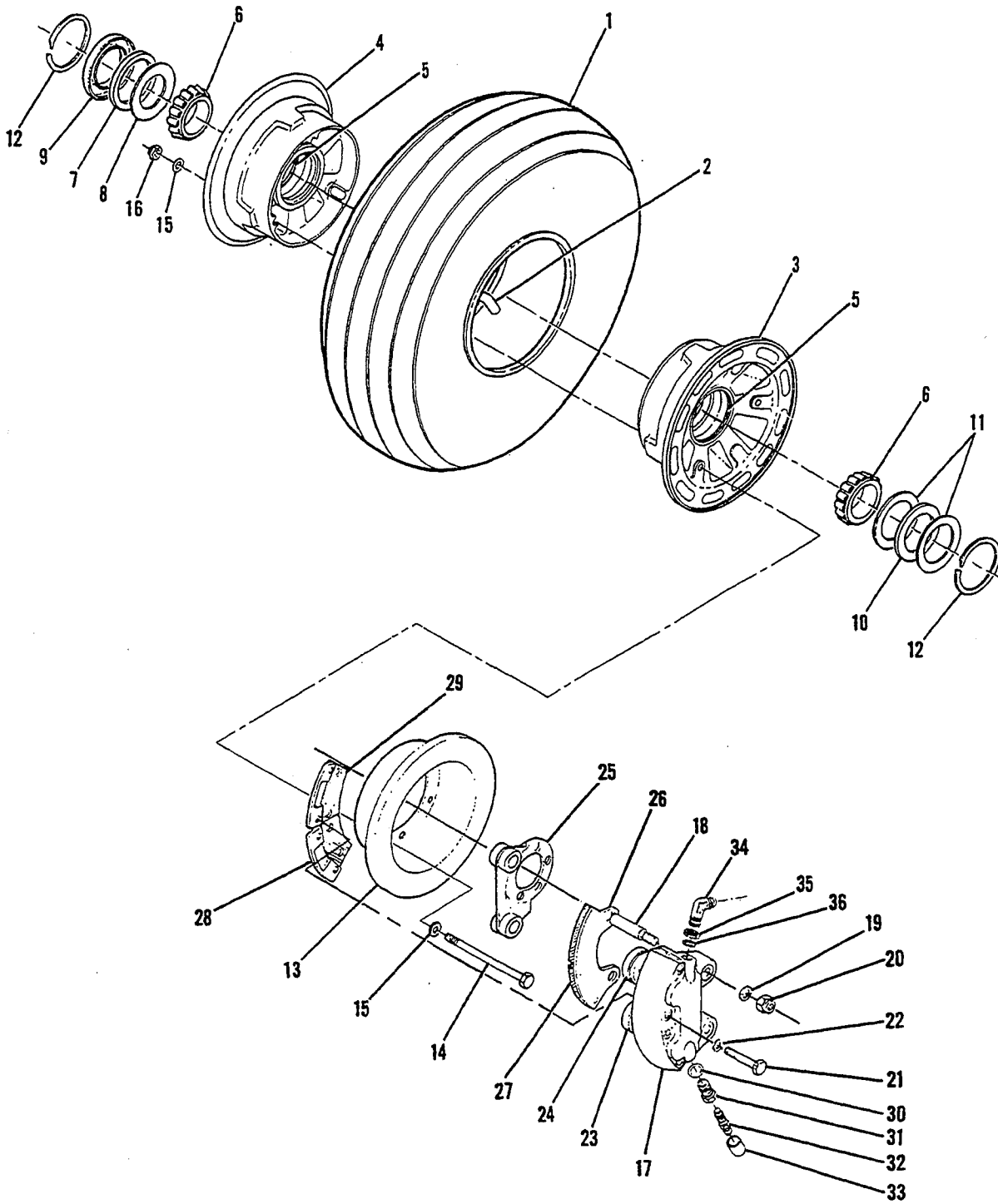
**182 SERIAL 18265329 THRU 18267715**  
**F182 SERIAL F1820074 THRU F18200169**  
Figure 73. Main Landing Gear Wheel & Brake Assembly

# 182 & T182 Parts Catalog

FIGURE AND INDEX NO.	PART NUMBER	DESCRIPTION							UNITS PER ASSY	USABLE ON CODE
		1	2	3	4	5	6	7		
73 -		WHEEL & BRAKE ASSEMBLY-MAIN GEAR -----							NP	A
- 1	C262003-0204	TIRE-BLACKWALL 6.00X6 6 PLY RATED -----							1	
	C262003-0213	TIRE-BLACKWALL 6.00X6 6 PLY RATED ALT -----							1	
- 2	C262023-0102	TUBE 6.00X6 -----							1	
	C163006-0101 *	WHEEL ASSY-MAIN GEAR FSD C163006-0101 -----							1	B
- 3	C30612	WHEEL ASSY-MAIN GEAR MCL -----							1	C
	D30661	WHEEL HALF ASSY-INBD MCL -----							1	B
- 4	C30605	WHEEL HALF ASSY-INBOARD MCL -----							1	C
	D30656	WHEEL HALF ASSY-OUTBD MCL -----							1	C
- 5	A30079-1	WHEEL HALF ASSY-OUTBOARD MCL -----							1	
- 6	A30079-2	CUP-BEARING MCL -----							1	
- 7	A30010	CONE-BEARING MCL -----							1	
- 8	A30015	GREASE SEAL-FELT MCL -----							1	
- 9	A30014	RETAINER-GREASE SEAL MCL -----							1	
-10	A30011	RETAINER-GREASE SEAL MCL -----							1	
-11	A30013	GREASE SEAL FELT MCL -----							1	
-12	A1636-24	RETAINER-GREASE SEAL MCL -----							2	
-13	C30615-1	RING-RETAINER MCL -----							1	
-14	AN5-37A	DISC ASSY MCL -----							3	
-15	AN960-516L	BOLT -----							6	B
	AN960-516	WASHER -----							3	C
-16	MS20365-524A	WASHER -----							3	
	C163032-0110 %**	NUT -----							3	
-17	C30019	BRAKE ASSY-MAIN GEAR -----							1	
-18	A30023	CYLINDER ASSY-BRAKE MCL -----							1	
-19	AN960-416L	PIN-GUIDE -----							2	
-20	MS20364-428A	WASHER -----							2	
-21	B30022	NUT -----							2	
-22	AN6230B2	PISTON MCL -----							1	
-23	B30027	O-RING -----							1	
-24	B30026	BACK PLATE ASSY-BRAKE MCL -----							1	
	A30087	LINING-BRAKE MCL -----							1	
-25	AN4H21A	RIVET MCL -----							2	
-26	AN960-416L	BOLT -----							2	
-27	B30024	WASHER -----							2	
-28	B30026	PRESSURE PLATE ASSY MCL -----							1	
	A30087	LINING-BRAKE MCL -----							1	
-29	B30649	RIVET MCL -----							2	
-30	A30030	TORQUE PLATE ASSY MCL -----							1	
-31	A30085	FITTING-BLEEDER MCL -----							1	
-32	A30040	SCREW-BLEEDER MCL -----							1	
	R561	CAP-DUST MCL -----							1	
		RIVET SET KIT -----							1	
		<p>NOTE. *THIS WHEEL ASSEMBLY MUST BE USED ONLY ON AIRCRAFT EQUIPPED WITH C163006-0101 MAIN GEAR WHEELS.</p> <p>NOTE. **THIS BRAKE ASSEMBLY MUST BE USED WITH C163005-0101 &amp; C163006-0101 WHEEL ASSEMBLIES ONLY.</p> <p>NOTE. %LH INSTALLATION SHOWN-REVERSE FITTING &amp; TORQUE PLATE FOR RH INSTL.</p> <p>A---182 SERIAL 18265329 THRU 18267715  F182 SERIAL F18200074 THRU F18200169</p> <p>B---182 SERIAL 18265329 THRU 18266103  F182 SERIAL F18200074 THRU F18200169</p> <p>C---182 SERIAL 18266104 THRU 18267715  F182 SERIAL F18200074 THRU F18200169</p>								

# 182 & T182 Parts Catalog

## Aligning Gear (Cont)



**182 & T182 SERIAL 18267716 & ON**

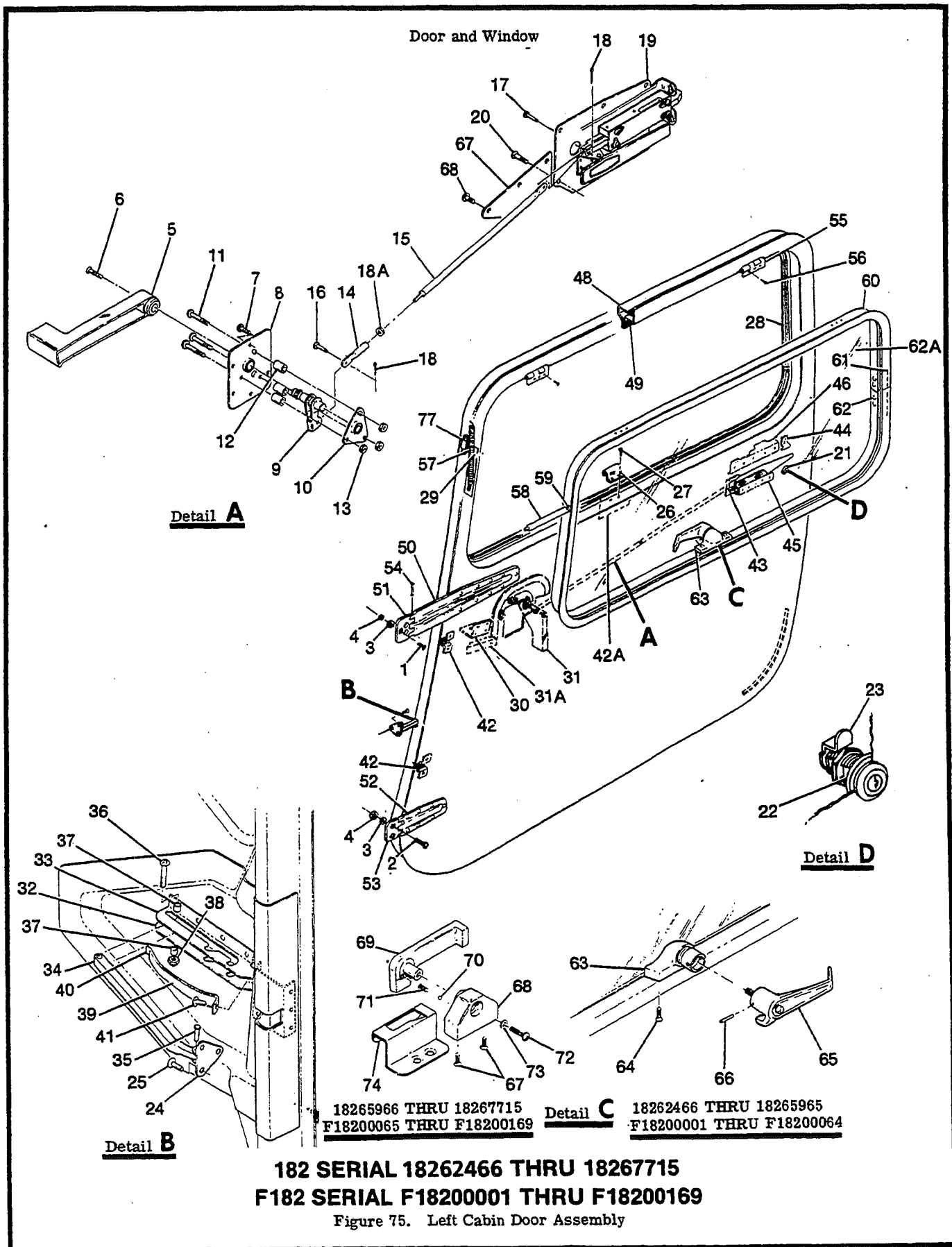
Figure 74. Main Landing Gear Wheel & Brake Assembly

# 182 & T182 Parts Catalog

FIGURE AND INDEX NO.	PART NUMBER	DESCRIPTION							UNITS PER ASSY	USABLE ON CODE
		1	2	3	4	5	6	7		
74 -		MAIN LANDING GEAR WHEEL & BRAKE ASSEMBLY -----							NP	A
- 1	C262003-0204	TIRE 6.00 X 6 6 PLY RATED -----							1	
- 2	C262023-0102	TUBE 6.00 X 6 -----							1	
	C163006-0103	WHEEL ASSY-MAIN GEAR -----							1	
- 3	D30662	WHEEL HALF ASSY-INBD MCL -----							1	
- 4	D30657	WHEEL HALF ASSY-OUTBD MCL -----							1	
- 5	A30079-1	CUP-BEARING MCL -----							1	
- 6	A30079-2	CONE-BEARING MCL -----							2	
- 7	A30010	GREASE SEAL-FELT MCL -----							1	
- 8	A30015	RETAINER-GREASE SEAL MCL -----							1	
- 9	A30014	RETAINER-GREASE SEAL MCL -----							1	
- 10	A30011	GREASE SEAL-FELT MCL -----							1	
- 11	A30013	RETAINER-GREASE SEAL MCL -----							2	
- 12	A1636-24	RING-RETAINER MCL -----							2	
- 13	C30615-3	DISC ASSY MCL -----							1	
- 14	A2513-76	BOLT MCL -----							3	
- 15	A1638-1	WASHER MCL -----							6	
- 16	A1639-1	NUT MCL -----							3	
	C163032-0206	BRAKE ASSY-RH WHEEL -----							1	
	C163032-0205	BRAKE ASSY-LH WHEEL -----							1	
- 17	D30119	CYLINDER ASSY-BRAKE MCL -----							1	
- 18	A30023	BOLT ANCHOR MCL -----							2	
- 19	A1638-15	WASHER MCL -----							2	
- 20	A1639-26	NUT MCL -----							2	
- 21	A2513-49	BOLT MCL -----							4	
- 22	A1638-15	WASHER MCL -----							4	
- 23	B30161	PISTON MCL -----							2	
- 24	A1633-48	O-RING MCL -----							2	
- 25	B30107-2	TORQUE PLATE ASSY-RH MCL -----							1	
	B30107-1	TORQUE PLATE ASSY-LH MCL -----							1	
- 26	B30113	PLATE ASSY-PRESSURE MCL -----							1	
- 27	B30026	LINING MCL -----							2	
	B30087	RIVET MCL -----							4	
- 28	B30027	PLATE ASSY-PRESSURE MCL -----							2	
- 29	B30026	LINING MCL -----							1	
	A30087	RIVET MCL -----							4	
- 30	A1633-47	GASKET MCL -----							1	
- 31	A30169	FITTING-BLEEDER MCL -----							1	
- 32	A30085	SCREW-BLEEDER MCL -----							1	
- 33	A30040	CAP-DUST MCL -----							1	
- 34	AN921-3D	ELBOW -----							1	
- 35	AN924-3D	NUT -----							1	
- 36	MS28778-3	PACKING -----							1	

A---182 & T182 SERIAL 18267716 & ON

# 182 & T182 Parts Catalog



**Detail A**

**B**

**Detail D**

**Detail C**

18265966 THRU 18267715  
F1820065 THRU F18200169

18262466 THRU 18265965  
F1820001 THRU F1820064

**182 SERIAL 18262466 THRU 18267715**  
**F182 SERIAL F1820001 THRU F18200169**

Figure 75. Left Cabin Door Assembly



# 182 & T182 Parts Catalog

FIGURE AND INDEX NO.	PART NUMBER	DESCRIPTION							UNITS PER ASSY	USABLE ON CODE
		1	2	3	4	5	6	7		
75 -		CABIN DOOR ASSEMBLY-LH -----							NP	A
		ATTACHING PARTS								
- 1	AN509-10R14	SCREW -----							3	
- 2	AN507-1032R12	SCREW -----							2	
- 3	AN960-10L	WASHER -----							5	
- 4	NAS679A3	NUT -----							5	
		*-----								
- 5	1217053-2	HANDLE-INSIDE DOOR WEU 1217053-4 -----							1	
	1217053-4	HANDLE-INSIDE DOOR -----							1	
		ATTACHING PARTS								
- 6	NAS388-10-7P	SCREW-SELF LOCKING -----							1	
		*-----								
	1217046-3	BASE PLATE ASSEMBLY -----							1	
		ATTACHING PARTS								
- 7	NAS220-5	SCREW -----							5	
	NAS697A08	NUTPLATE -----							5	
		*-----								
- 8	1217046-5	PLATE ASSEMBLY -----							1	
- 9	1217050-3	SHAFT ASSEMBLY -----							1	
-10	1217046-6	BEARING ASSEMBLY -----							1	
		ATTACHING PARTS								
-11	NAS221-15	SCREW -----							3	
-12	NAS43HT3-45	SPACER -----							3	
-13	MS20364-1032C	NUT -----							3	
		*-----								
	0517021-1	PUSH ROD ASSEMBLY -----							1	
		ATTACHING PARTS								
-14	MS20392-1C9	PIN -----							1	
-15	MS20392-1C15	PIN -----							1	
-16	MS24665-132	COTTER PIN -----							2	
		*-----								
-17	0517021-4	TUBE ASSEMBLY -----							1	
-18	0517021-5	TUBE ASSEMBLY -----							1	
-18A	AN315-4R	NUT-JAMB -----							1	
-19	SEE FIG 81	LATCH ASSEMBLY-CABIN DOOR -----							1	
		ATTACHING PARTS								
-20	NAS220-5	SCREW -----							10	
	NAS697A08	NUTPLATE -----							5	
		*-----								
-21	C253001-0101	LOCK ASSEMBLY-DOOR -----							1	
-22	S1450-19A18-040	WASHER -----							1	
-23	0711033-1	CAM-DOOR LOCK -----							1	
-24	1213942-1	HINGE ASSEMBLY-DOOR STOP -----							1	
		ATTACHING PARTS								
-25	AN509-10R8	SCREW -----							3	
		*-----								
	1217045-203	STRUCTURE ASSY-CABIN DOOR LH -----							1	
	1217045-213	STRUCTURE ASSY-CABIN DOOR LH -----							1	
-26	0700685-3	STRIKER -----							1	D E F
		ATTACHING PARTS								
-27	AN507-832R6	SCREW -----							2	
		*-----								
-28	1217056-5	RETAINER ASSEMBLY -----							1	
-29	0711021-1	PLATE -----							1	
-30	0717012-5	SUPPORT ASSEMBLY-ARMREST -----							1	
	NAS697A08	NUTPLATE -----							1	
-31	0717012-3	SUPPORT ASSEMBLY-ARMREST -----							1	
-31A	0715056-1	SPACER-ARMREST -----							1	
-32	1217038-1	BRACKET-CABIN DOOR STOP -----							1	
-33	1217038-2	BRACKET-CABIN DOOR STOP -----							1	
-34	1411206-7	ARM-CABIN DOOR STOP -----							1	
		ATTACHING PARTS								
-35	MS20615-4M10	RIVET -----							1	
		*-----								
-36	NAS220-16	SCREW -----							1	
-37	1411206-1	SPACER -----							2	
-38	MS20364-832C	NUT -----							1	
-39	1411207-1	SPRING -----							1	
-40	1411207-2	SPRING -----							1	
		ATTACHING PARTS								
-41	AN525-832R7	SCREW -----							1	
		*-----								
-42	0715033-1	BRACKET-UPHOLSTERY RETAINER -----							2	
		ATTACHING PARTS								
	CR163-4-4	RIVET-CHERRY CY -----							4	
		*-----								
CONTINUED ON NEXT PAGE										

# 182 & T182 Parts Catalog

FIGURE AND INDEX NO.	PART NUMBER	DESCRIPTION							UNITS PER ASSY	USABLE ON CODE
		1	2	3	4	5	6	7		
75 -42A	1217036-3	SUPPORT ASSY-DOOR PULL -----							1	B C
	1217036-8	SUPPORT ASSY-DOOR PULL -----							1	
	NAS697A3	NUTPLATE -----							1	
	NAS1329S3K80	RIVNUT -----							1	
-43	1217035-1	RUB BLOCK -----							1	
-44	0711034-1	STOP-CABIN DOOR HANDLE -----							1	
-45	0711064-5	SUPPORT ASSEMBLY-DOOR LATCH -----							1	
	NAS696A08	NUTPLATE -----							2	
-46	0717010-23	STIFFNER BRACKET ASSEMBLY-DOOR LATCH -----							1	
	NAS682A08	NUTPLATE -----							1	
-47	S1441-2	* SEAL 15.00 IN LG BKI UNDER S2249-2 -----							1	
-48	S2249-2	SEAL 160.00 IN LG BKI -----							1	
-49	S2108-1	SEAL 84.00 IN LG BKI -----							1	
-50	0711037-17	HINGE-UPPER -----							1	
-51	0711037-15	HINGE-STATIONARY UPPER -----							1	
-52	0711037-21	HINGE-LOWER -----							1	
-53	0711037-19	HINGE-STATIONARY LOWER -----							1	
-54	0711038-1	PIN-HINGE -----							2	
-55	0411185-11	HINGE ASSEMBLY-WINDOW -----							2	
		ATTACHING PARTS								
-56	CR163-4-4	RIVET-CHERRY CY -----							4	
		*-----								
-57	0711021-9	SPRING -----							1	
-58	0711021-4	ARM ASSEMBLY -----							1	
		ATTACHING PARTS								
-59	AN525-10R8	SCREW -----							1	
		*-----								
	0711050-17	WINDOW ASSY-DOOR -----							1	D E
	0711050-39	WINDOW ASSY-DOOR -----							1	
-60	0711050-18	FRAME-WINDOW -----							1	
-61	0711050-15	TUBE SPLICE -----							1	
		ATTACHING PARTS								
-62	S1727-1	RIVET -----							4	
	S1726-1	RIVET -----							2	
		*-----								
-62A	0711051-7	GLASS ASSY-WINDOW-TINTED -----							1	D E
	0711051-6	GLASS ASSY-WINDOW-TINTED -----							1	
	0711051-5	SEAL -----							1	
-63	1411202-201	BRACKET ASSEMBLY-WINDOW LATCH -----							1	D
		ATTACHING PARTS								
-64	NAS514-1032-14	SCREW -----							2	D D
	NAS543-3-34	SPACER -----							2	
		*-----								
-65	S1483-2	HANDLE ASSEMBLY-WINDOW -----							1	D
		ATTACHING PARTS								
-66	NAS561P3-8	PIN -----							1	D
		*-----								
	S1483-9	LATCH ASSY-WINDOW -----							1	D E
	1217066-1	LATCH ASSY-WINDOW -----							1	
		ATTACHING PARTS								
-67	NAS514-1032-14	SCREW -----							1	E E
	NAS43HT3-34	SPACER -----							1	
		*-----								
-68	1217063-3	BRACKET -----							1	E E E E E E E E E E
-69	1217063-1	HANDLE -----							1	
-70	S272-5	BALL -----							1	
-71	MS24585-1020	SPRING -----							1	
-72	S1931-8	SCREW -----							1	
-73	AN960C8	WASHER -----							1	
-74	1217065-2	STRIKER -----							1	
		ATTACHING PARTS								
	AN507-832R6	SCREW -----							2	
		*-----								
-75	1217058-1	SPLICE PLATE -----							1	
		ATTACHING PARTS								
-76	NAS220-5	SCREW -----							5	
		*-----								

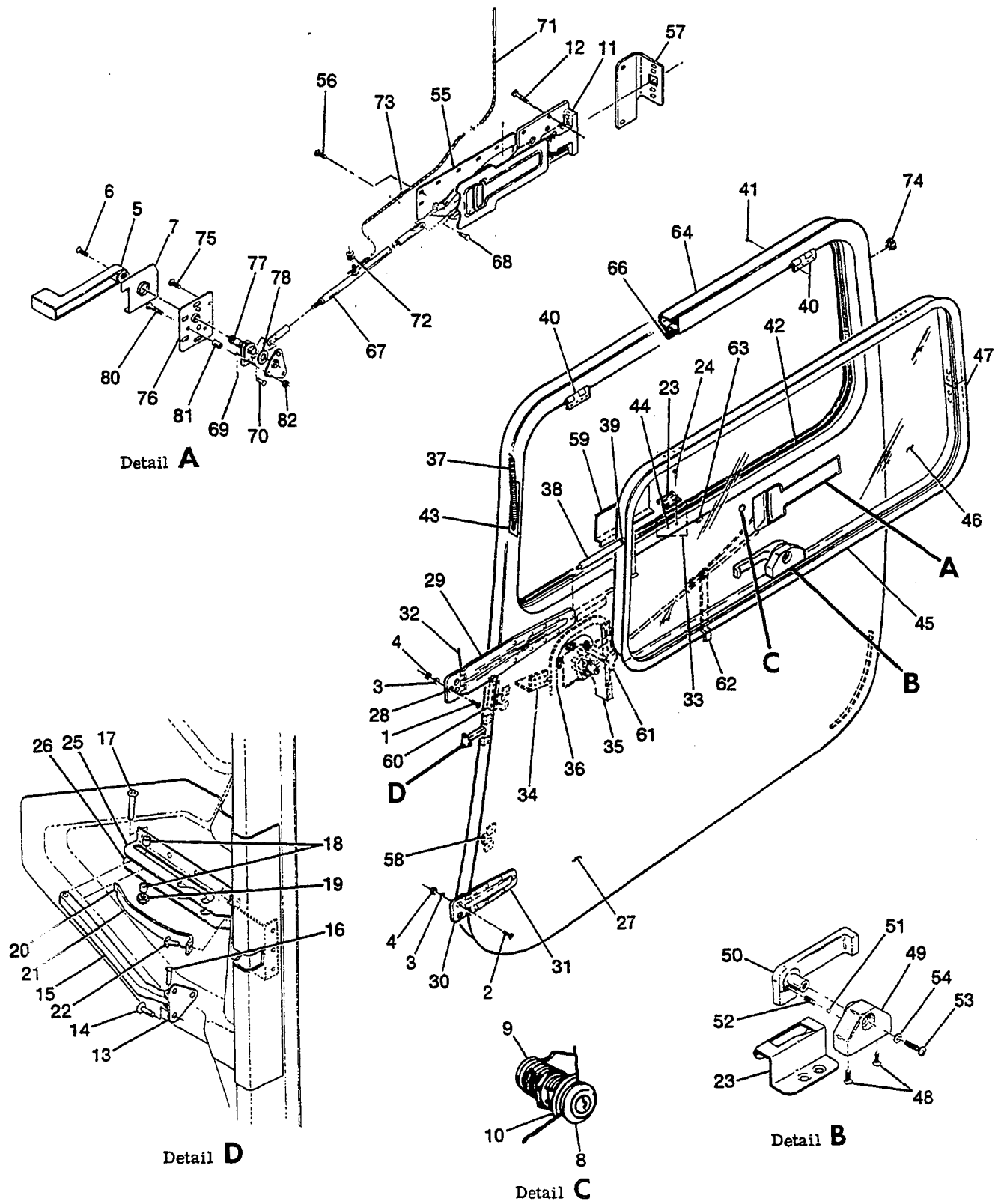
CONTINUED ON NEXT PAGE

# 182 & T182 Parts Catalog

FIGURE AND INDEX NO.	PART NUMBER	DESCRIPTION	UNITS PER ASSY	USABLE ON CODE
		1 2 3 4 5 6 7		
75 -77	0710638-1	WEDGE -----  A---182 SERIAL 18262466 THRU 18267715 F182 SERIAL F18200001 THRU F18200169 B---182 SERIAL 18262976 THRU 18263475 C---182 SERIAL 18263476 THRU 18267715 F182 SERIAL F18200001 THRU F18200169 D---182 SERIAL 18262466 THRU 18265965 F182 SERIAL F18200001 THRU F18200064 E---182 SERIAL 18265966 THRU 18267715 F182 SERIAL F18200065 THRU F18200169	1	

# 182 & T182 Parts Catalog

Door and Window (Cont)



**182 & T182 SERIAL 18267716 & ON**  
 Figure 76. Left Cabin Door Assembly

# 182 & T182 Parts Catalog

FIGURE AND INDEX NO.	PART NUMBER	DESCRIPTION	UNITS PER ASSY	USABLE ON CODE
			1 2 3 4 5 6 7	
76 -		CABIN DOOR ASSEMBLY-LEFT -----	NP	A
		ATTACHING PARTS -----		
- 1	AN509-10R14	SCREW UPPER HINGE -----	3	
- 2	AN507-1032R12	SCREW LOWER HINGE -----	2	
- 3	AN960-10L	WASHER -----	5	
- 4	MS21044N3	NUT -----	5	
		-----*		
- 5	1217053-4	HANDLE -----	1	
		ATTACHING PARTS -----		
- 6	NAS388-10-7P	SCREW SELF LOCKING -----	1	
		-----*		
- 7	SEE FIG 87	CABIN DOOR UPHOLSTERY -----	1	
- 8	C253001-0102	LOCK ASSY-DOOR -----	1	
- 9	0717024-16	CAM-LOCK ASSY -----	1	
-10	S1450-19A18-040	WASHER-LOCK ASSY -----	1	
-11	SEE FIG 82	LATCH ASSY-CABIN DOOR -----	1	
		ATTACHING PARTS -----		
-12	NAS220-5	SCREW -----	4	
	AN525-10R6	SCREW -----	2	
		-----*		
-13	1213942-1	HINGE ASSY-LH DOOR STOP -----	1	
		ATTACHING PARTS -----		
-14	AN509-10R8	SCREW -----	3	
		-----*		
-15	1411206-7	ARM-CABIN DOOR STOP -----	1	
		ATTACHING PARTS -----		
-16	MS20615-4M10	RIVET -----	1	
-17	NAS220-16	SCREW -----	1	
-18	1411206-1	SPACER -----	2	
-19	MS21044N08	NUT -----	1	
		-----*		
-20	1411207-2	SPRING-OUTBOARD -----	1	
-21	1411207-1	SPRING-INBOARD -----	1	
		ATTACHING PARTS -----		
-22	AN525-832R7	SCREW -----	1	
		-----*		
-23	1217065-3	PLATE-STRIKER -----	1	
		ATTACHING PARTS -----		
-24	AN507-832R6	SCREW -----	2	
		-----*		
	1217000-206	STRUCTURE ASSY-CABIN DOOR LH -----	1	
-25	1217038-1	BRACKET-CABIN DOOR STOP UPPER -----	1	
-26	1217038-2	BRACKET-CABIN DOOR STOP LOWER -----	1	
-27	1217000-24	SKIN-CABIN DOOR -----	1	
-28	0711037-15	HINGE UPPER FWD -----	1	
-29	0711037-17	HINGE UPPER AFT -----	1	
-30	0711037-19	HINGE LOWER FWD -----	1	
-31	0711037-21	HINGE LOWER AFT -----	1	
-32	0711038-1	PIN -----	2	
-33	0717010-22	REINFORCEMENT -----	1	
-34	0717012-5	SUPPORT ASSY-ARMREST -----	1	
	NAS697A08	NUTPLATE -----	1	
-35	0717012-3	SUPPORT-ARMREST -----	1	
-36	1217048-1	PAN ASSY-INTERIOR DOOR HANDLE -----	1	
	NAS697A08	NUTPLATE -----	5	
	NAS697A08	NUTPLATE -----	12	
-37	0711021-9	SPRING -----	1	
-38	0711021-4	ARM ASSY -----	1	
-39	AN525-10R8	SCREW -----	1	
-40	0411185-11	HINGE ASSY-WINDOW -----	2	
		ATTACHING PARTS -----		
-41	CR163-4-4	RIVET CR -----	6	
		-----*		
-42	1217050-9	RETAINER ASSY-OPENABLE WINDOW -----	1	
-43	0711021-1	PLATE -----	2	
-44	NAS697A08K	NUTPLATE -----	2	
	0711050-39	WINDOW ASSY-DOOR LH -----	1	
-45	0711050-18	FRAME-WINDOW -----	1	
-46	0711051-6	WINDOW-DOOR -----	1	

CONTINUED ON NEXT PAGE

# 182 & T182 Parts Catalog

FIGURE AND INDEX NO.	PART NUMBER	DESCRIPTION							UNITS PER ASSY	USABLE ON CODE
		1	2	3	4	5	6	7		
76 -47	0711050-15	TUBE-SPLICE -----							1	
	CR163-4-4	ATTACHING PARTS -----							6	
	1217066-1	RIVET -----							1	
		*-----								
		LATCH ASSY-WINDOW -----							1	
		ATTACHING PARTS -----							2	
-48	NAS514-1032-14	SCREW -----							2	
	NAS543-3-34	SPACER -----							2	
		*-----								
-49	1217063-3	BRACKET -----							1	
-50	1217063-1	HANDLE -----							1	
-51	S272-5	BALL -----							1	
-52	MS24585-1020	SPRING -----							1	
-53	S1931-8	SCREW -----							1	
-54	AN960C8	WASHER -----							1	
-55	1217089-3	PLATE ASSY-COVER -----							1	
		ATTACHING PARTS -----							8	
-56	NAS220-5	SCREW -----							8	
		*-----								
	NAS697A3	NUTPLATE -----							2	
-57	0717039-1	COVER-CABIN DOOR LATCH -----							1	
-58	0715033-1	BRACKET-UPHOLSTERY RETAINER -----							2	
-59	1215151-5	SUPPORT ASSY-DOOR PANEL -----							1	
	NAS697A3	NUTPLATE -----							1	
-60	2215032-1	BRACKET ASSY-ARMREST -----							1	
	NAS682A08	NUTPLATE -----							2	
-61	2215033-5	BRACKET ASSY-ARMREST -----							1	
	NAS682A08	NUTPLATE -----							2	
-62	2215031-4	BRACKET ASSY-ARMREST -----							1	
		ATTACHING PARTS -----							1	
	S1021Z8-4	SCREW -----							1	
	NAS446-4-1	NUT -----							1	
		*-----								
	NAS684A08	NUTPLATE -----							2	
-63	NAS1329S3K80	NUT-DOOR PULL ATTACH -----							1	
-64	S2249-2	SEAL 160.00 IN LG BKI REF S22492-2-160.00 -----							1	
-65	S1441-2	SEAL 15.00 IN LG BKI REF S1441-2-15.00 -----							1	
-66	S2108-4	SEAL 84.00 IN LG BKI REF S2108-4-84.00 -----							1	
-67	1217088-17	PUSH ROD ASSY-DOOR LATCH -----							1	
		ATTACHING PARTS -----							1	
-68	MS20392-1C11	PIN -----							1	
-69	MS24665-132	PIN-COTTER -----							2	
	AN960-4L	WASHER -----							1	
-70	MS20392-1C9	PIN -----							1	
		*-----								
-71	9860065-1	CABLE ASSY-UPPER AFT PIN -----							1	
		ATTACHING PARTS -----							2	
-72	AN315-4R	NUT -----							2	
-73	S2226-2	CLAMP -----							2	
	AN507-832R4	SCREW -----							1	
	S1477-08	NUT -----							2	
	AN507-832R6	SCREW -----							1	
		*-----								
-74	CM2692-28-1	PLUG BUTTON -----							1	
	1217046-3	BASE PLATE ASSY-INTERIOR DOOR HANDLE -----							1	
		ATTACHING PARTS -----							5	
-75	NAS220-5	SCREW -----							5	
		*-----								
-76	1217046-5	PLATE ASSY -----							1	
-77	1217050-5	SHAFT ASSY -----							1	
-78	AN960-716L	WASHER -----							AR	
-79	1217046-6	BEARING ASSY -----							1	
-80	NAS221-15	SCREW -----							3	
-81	NAS43HT3-45	SPACER -----							3	
-82	MS20364-1032C	NUT -----							3	

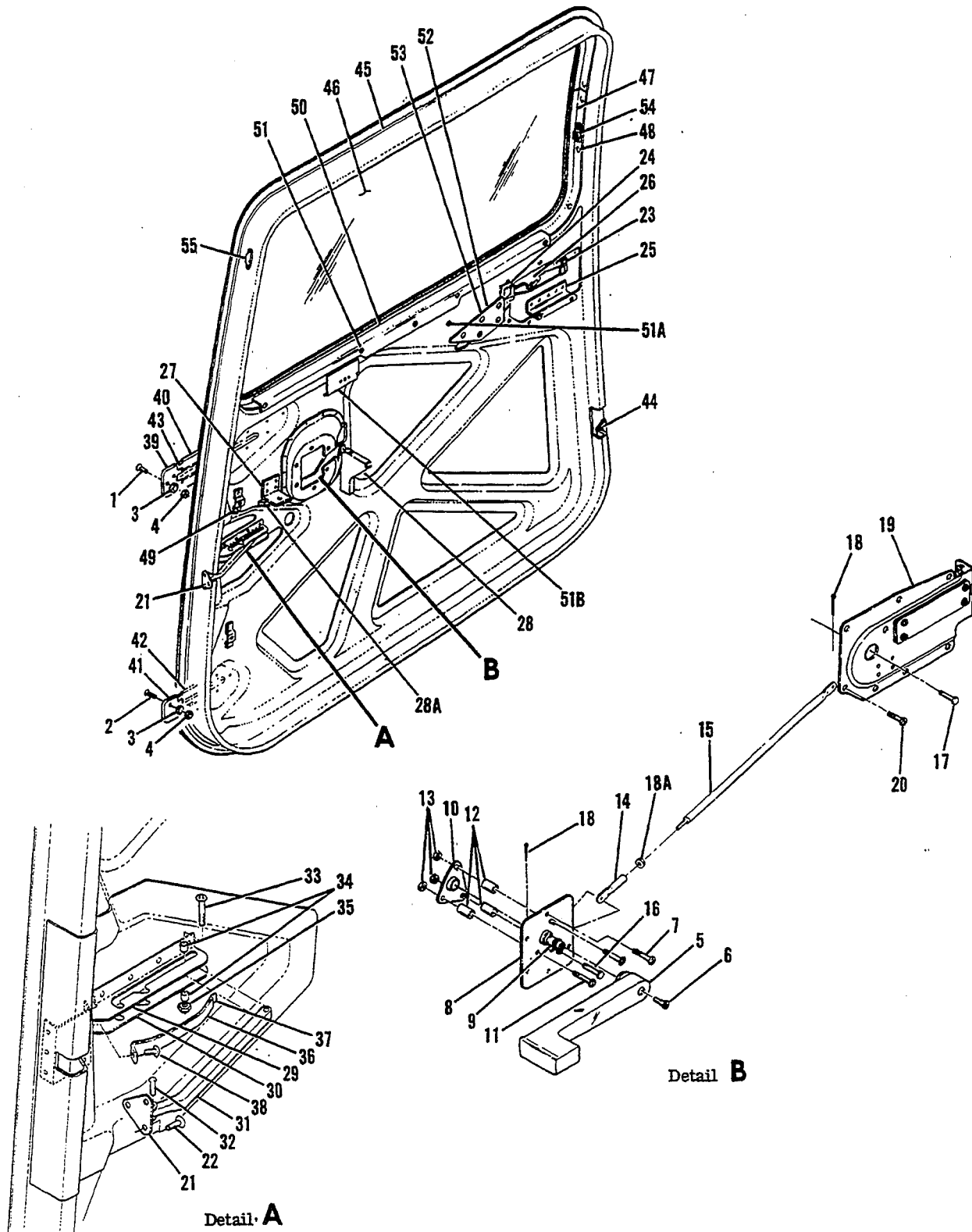
A---182 & T182 SERIAL 18267716 & ON

# 182 & T182 Parts Catalog

FIGURE AND INDEX NO.	PART NUMBER	DESCRIPTION	UNITS PER ASSY	USABLE ON CODE
				1 2 3 4 5 6 7
77 -		CABIN DOOR ASSY-RH ----- ATTACHING PARTS -----	NP	D
- 1	AN509-10R14	SCREW -----	3	
- 2	AN507-1032R12	SCREW -----	2	
- 3	AN960-10L	WASHER -----	5	
- 4	MS21044N3	NUT ----- *-----	5	
- 5	1217053-2 1217053-4	HANDLE-INSIDE DOOR WEU 1217053-4 ----- HANDLE-INSIDE DOOR ----- ATTACHING PARTS -----	1 1	
- 6	NAS388-10-7P  1217046-4	SCREW-SELF LOCKING ----- *----- BASE PLATE ASSEMBLY-RH ----- ATTACHING PARTS -----	1  1	
- 7	NAS220-5 NAS697A08	SCREW ----- NUTPLATE ----- *-----	5 5	
- 8	1217046-5	PLATE ASSEMBLY -----	1	
- 9	1217050-4	SHAFT ASSEMBLY -----	1	
-10	1217046-6	BEARING ASSEMBLY ----- ATTACHING PARTS -----	1	
-11	NAS221-15	SCREW -----	3	
-12	NAS43HT3-45	SPACER -----	3	
-13	MS20364-1032C	NUT ----- *-----	3	
	0517021-1	PUSH ROD ASSEMBLY -----	1	
-14	0517021-4	TUBE ASSEMBLY -----	1	
-15	0517021-5	TUBE ASSEMBLY ----- ATTACHING PARTS -----	1	
-16	MS20392-1C9	PIN -----	1	
-17	MS20392-1C15	PIN -----	1	
-18	MS24665-132	COTTER PIN ----- *-----	2	
-18A	AN315-4R	NUT-JAM -----	1	
-19	SEE FIG 81	LATCH ASSEMBLY-REMOVABLE ----- ATTACHING PARTS -----	1	
-20	NAS220-5 NAS697A08	SCREW ----- NUTPLATE ----- *-----	10 5	
-21	1213942-2	HINGE ASSEMBLY-DOOR STOP ----- ATTACHING PARTS -----	1	
-22	AN509-10R8	SCREW ----- *-----	3	
	1217045-202 1217045-204	STRUCTURE ASSEMBLY-CABIN DOOR RH ----- STRUCTURE ASSEMBLY-CABIN DOOR RH -----	1 1	A C
CONTINUED ON NEXT PAGE				

# 182 & T182 Parts Catalog

Door & Window (Cont)



Detail A

Detail B

**182 SERIAL 18262466 THRU 18267715**  
**F182 SERIAL F1820001 THRU F18200169**

Figure 77. Right Cabin Door Assembly



# 182 & T182 Parts Catalog

FIGURE AND INDEX NO.	PART NUMBER	DESCRIPTION							UNITS PER ASSY	USABLE ON CODE
		1	2	3	4	5	6	7		
77 -23	0711034-1	STOP-CABIN DOOR HANDLE -----							1	
-24	1217035-1	RUB BLOCK -----							1	
-25	0711064-5	SUPPORT ASSEMBLY-DOOR LATCH -----							1	
	NAS696A08	NUTPLATE -----							2	
-26	0717010-24	STIFFENER BRACKET ASSEMBLY-DOOR LATCH -----							1	
	NAS682A08	NUTPLATE -----							1	
-27	0717012-5	SUPPORT ASSEMBLY-ARMREST -----							1	
	NAS697A08	NUTPLATE -----							1	
-28	0717012-4	SUPPORT ASSEMBLY-ARMREST -----							1	
	NAS696A08	NUTPLATE -----							1	
-28A	0715056-1	SPACER -----							1	
-29	1217038-2	BRACKET-CABIN DOOR STOP -----							1	
-30	1217038-1	BRACKET-CABIN DOOR STOP -----							1	
-31	1411206-7	ARM-CABIN DOOR STOP -----							1	
		ATTACHING PARTS								
-32	MS20615-4M10	RIVET -----							1	
		*-----								
-33	NAS220-16	SCREW -----							1	
-34	1411206-1	SPACER -----							2	
-35	NAS697A08	NUT -----							1	
-36	1411207-1	SPRING -----							1	
-37	1411207-2	SPRING -----							1	
		ATTACHING PARTS								
-38	AN525-832R7	SCREW -----							1	
		*-----								
-39	0711037-14	HINGE-UPPER STATIONARY -----							1	
-40	0711037-16	HINGE-UPPER RH -----							1	
-41	0711037-18	HINGE-LOWER STATIONARY -----							1	
-42	0711037-20	HINGE-LOWER RH -----							1	
-43	0711038-1	PIN-HINGE -----							2	
-44	S1441-2	SEAL	15.0 IN LG	BKI	REF S1441-2-15.0	-----		1		
-45	S2249-2	SEAL	160.0 IN LG	BKI	REF S2249-2-160.00	-----		1		
-46	0717010-16	WINDOW-DOOR TINTED -----							1	
-47	0717010-27	RETAINER-WINDOW -----							1	
		ATTACHING PARTS								
-48	CR163-4-2	RIVET	CHERRY	CY	-----		21			
		*-----								
-49	0715033-1	BRACKET -----							2	
-50	1217052-2	RETAINER -----							1	
		ATTACHING PARTS								
-51	S1021A4-6	SCREW -----							6	
		*-----								
-51A	NAS1329S3K80	RIVNUT -----							1	
-51B	1217036-4	SUPPORT ASSY -----							1	B
	1217036-10	SUPPORT ASSY -----							1	C
	NAS697A3	NUTPLATE -----							1	
-52	1217058-1	PLATE-SPLICE -----							1	
		ATTACHING PARTS								
-53	NAS220-5	SCREW -----							1	
		*-----								
-54	1211061-61	HAT-UPHOLSTERY RETAINER -----							5	A
	0715061-1	RETAINER-WINDOW MOULDING UPPER -----							1	C
	0715061-2	RETAINER-WINDOW MOULDING 1 FWD & 1 AFT -----							2	C
	0715060-1	SUPPORT-WINDOW MOULDING RETAINER -----							7	C
-55	0710638-1	WEDGE -----							1	

NOTE. \*THIS PART IS INSTALLED UNDER S2249-1-160.00

A---182 SERIAL 18262466 THRU 18263475  
 B---182 SERIAL 18262976 THRU 18263475  
 C---182 SERIAL 18263476 THRU 18267715  
     F182 SERIAL F18200001 THRU F18200169  
 D---182 SERIAL 18262466 THRU 18267715  
     F182 SERIAL F18200001 THRU F18200169

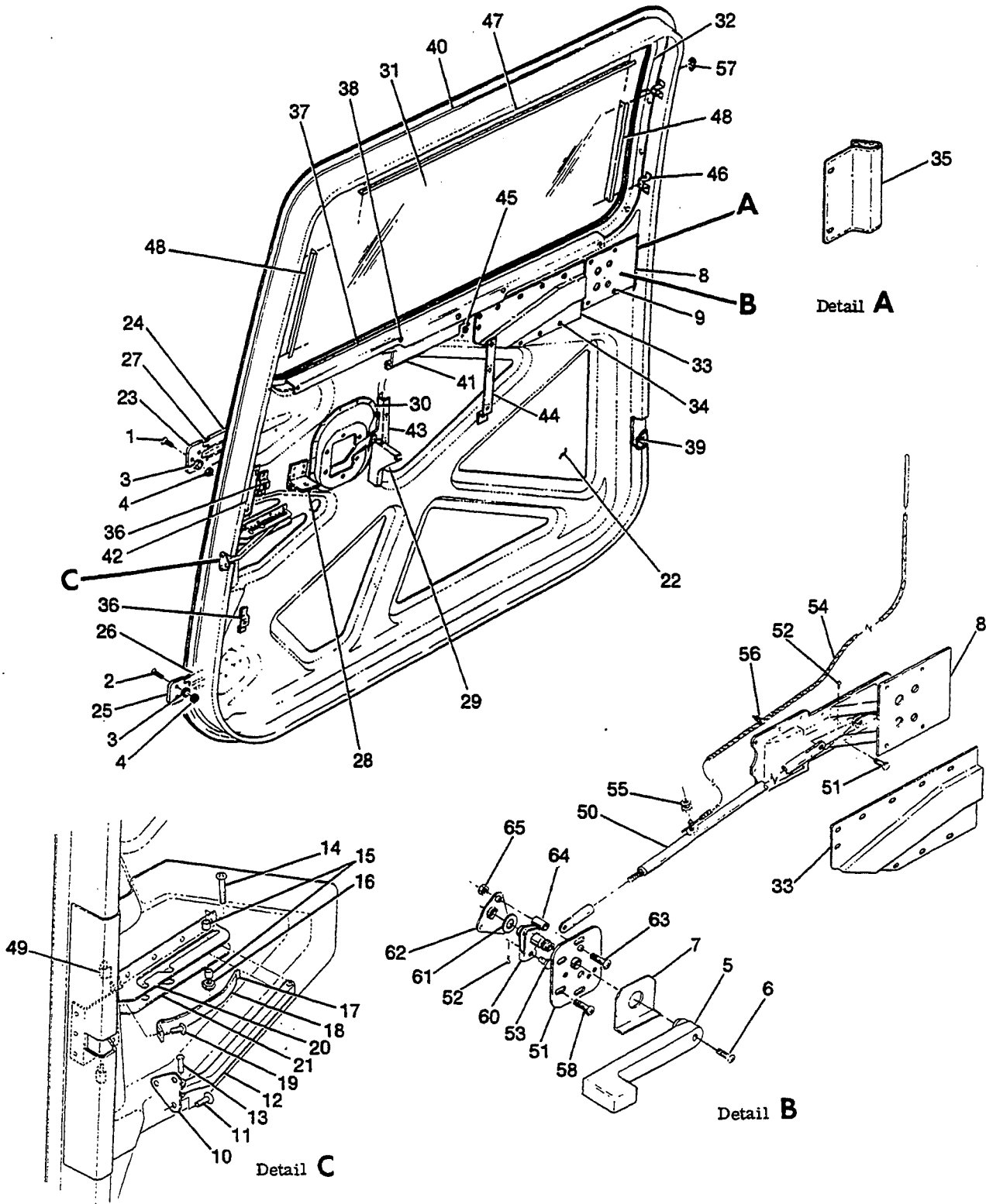
# 182 & T182 Parts Catalog

FIGURE AND INDEX NO.	PART NUMBER	DESCRIPTION							UNITS PER ASSY	USABLE ON CODE
		1	2	3	4	5	6	7		
78 -		CABIN DOOR ASSEMBLY-RH -----							NP	A
		ATTACHING PARTS -----								
- 1	AN509-10R14	SCREW UPPER HINGE -----							3	
- 2	AN507-1032R12	SCREW LOWER HINGE -----							2	
- 3	AN960-10L	WASHER -----							5	
- 4	MS21044N3	NUT -----							5	
		*-----								
- 5	1217053-4	HANDLE -----							1	
		ATTACHING PARTS -----								
- 6	NAS388-10-7P	SCREW -----							1	
		*-----								
- 7	SEE FIG 87	CABIN DOOR UPHOLSTERY -----								
- 8	SEE FIG 82	LATCH ASSY-CABIN DOOR -----							1	
		ATTACHING PARTS -----								
- 9	NAS220-5	SCREW -----							4	
	AN525-10R6	SCREW -----							2	
		*-----								
-10	1213942-2	HINGE ASSY-RH DOOR STOP -----							1	
		ATTACHING PARTS -----								
-11	AN509-10R8	SCREW -----							3	
		*-----								
-12	1411206-7	ARM-CABIN DOOR STOP -----							1	
		ATTACHING PARTS -----								
-13	MS20615-4M10	RIVET -----							1	
-14	NAS220-6	SCREW -----							1	
-15	1411206-1	SPACER -----							2	
-16	MS21044N08	NUT -----							1	
		*-----								
-17	1411207-2	SPRING-OUTBOARD -----							1	
-18	1411207-1	SPRING-INBOARD -----							1	
		ATTACHING PARTS -----								
-19	AN525-832R7	SCREW -----							1	
		*-----								
-20	1217038-2	BRACKET-CABIN DOOR STOP UPPER -----							1	
-21	1217038-1	BRACKET-CABIN DOOR STOP LOWER -----							1	
	1217000-207	STRUCTURE ASSY-CABIN DOOR RH -----							1	
-22	1217000-25	SKIN-CABIN DOOR -----							1	
-23	0711037-14	HINGE-UPPER FWD -----							1	
-24	0711037-16	HINGE-UPPER AFT -----							1	
-25	0711037-18	HINGE-LOWER FWD -----							1	
-26	0711037-20	HINGE-LOWER AFT -----							1	
-27	0711038-1	PIN-HINGE -----							2	
-28	0717012-5	SUPPORT ASSY-ARMREST -----							1	
	NAS697A08	NUTPLATE -----							1	
-29	0717012-4	SUPPORT-ARMREST -----							1	
-30	1217048-2	PAN ASSY-INTERIOR DOOR HANDLE -----							1	
	NAS697A08	NUTPLATE -----							5	
	NAS697A08	NUTPLATE -----							12	
-31	0717010-16	WINDOW-DOOR -----							1	
-32	0717010-27	RETAINER-WINDOW -----							1	
-33	1217089-4	PLATE ASSY-COVER -----							1	
		ATTACHING PARTS -----								
-34	NAS220-5	SCREW -----							8	
		*-----								
	NAS697A3	NUTPLATE -----							2	
-35	0717039-1	COVER-CABIN DOOR LATCH -----							1	
-36	0715033-1	BRACKET-UPHOLSTERY RETAINER -----							2	
-37	1217052-2	RETAINER-UPHOLSTERY -----							1	
		ATTACHING PARTS -----								
-38	S1021A4-6	SCREW -----							6	
		*-----								
-39	S1441-2	SEAL	15.00	IN	LG	BKI	REF S1441-2-15.00	1		
-40	S2249-2	SEAL	160.00	IN	LG	BKI	REF S2249-2-160.00	1		

CONTINUED ON NEXT PAGE

# 182 & T182 Parts Catalog

Door & Window (Cont)



**182 & T182 SERIAL 18267716 & ON**

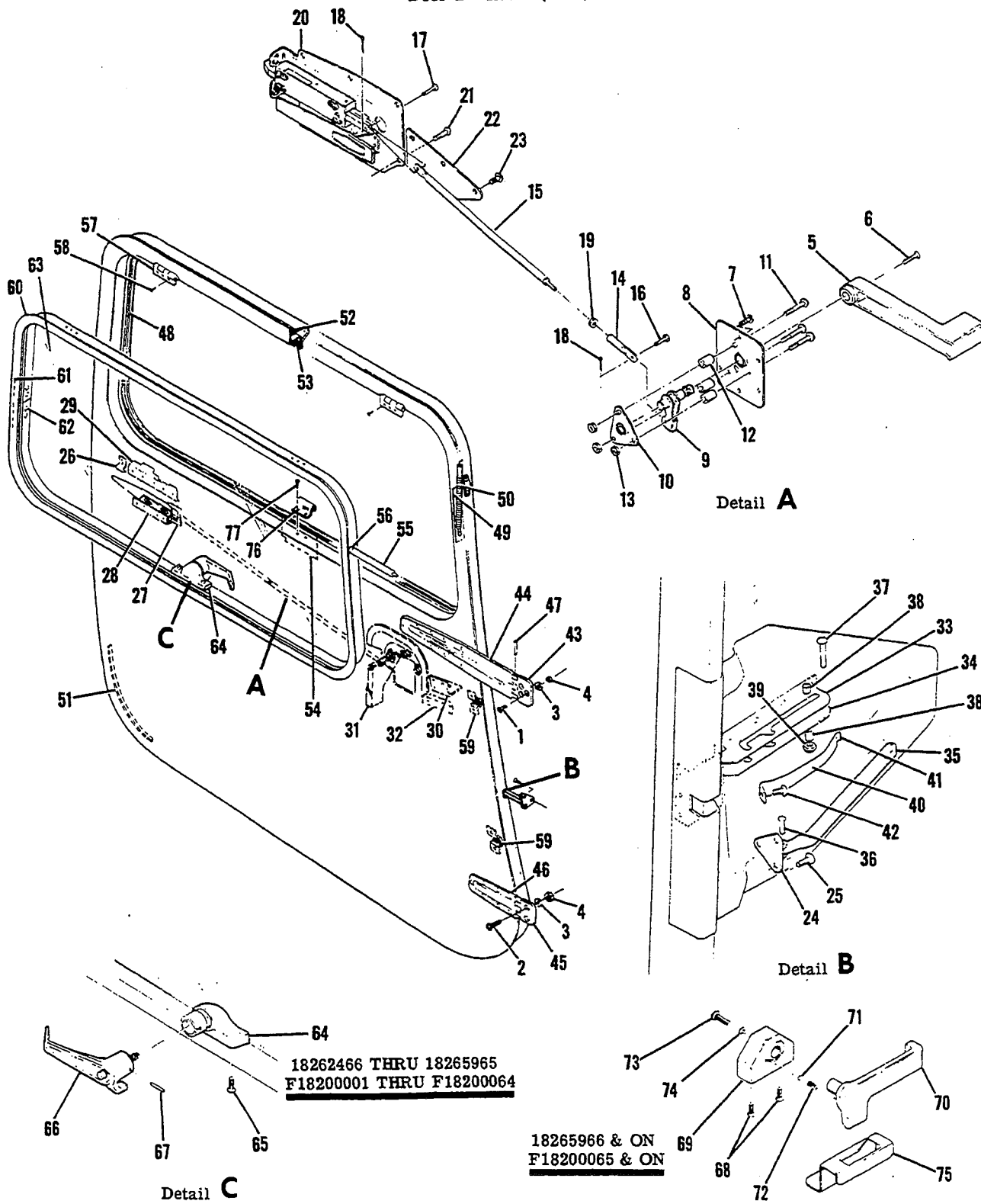
Figure 78. Right Cabin Door Assembly

# 182 & T182 Parts Catalog

FIGURE AND INDEX NO.	PART NUMBER	DESCRIPTION							UNITS PER ASSY	USABLE ON CODE
		1	2	3	4	5	6	7		
78 -41	1215151-6	SUPPORT ASSY-DOOR PANEL -----							1	
	NAS697A3	NUTPLATE -----							1	
	NAS1329A08K	RIVNUT -----							2	
-42	2215032-1	BRACKET ASSY-ARMREST -----							1	
	NAS682A08	NUTPLATE -----							2	
-43	2215033-6	BRACKET ASSY-ARMREST -----							1	
	NAS682A08	NUTPLATE -----							2	
-44	2215031-4	BRACKET ASSY-ARMREST -----							1	
		ATTACHING PARTS								
	S102178-4	SCREW -----							1	
	NAS446-4-1	NUT -----							1	
		*-----								
	NAS684A08	NUTPLATE -----							2	
-45	NAS1329S3K80	NUT -----							1	
-46	0715060-1	SUPPORT-WINDOW MOULDING RETAINER -----							7	
		ATTACHING PARTS								
	S102174-6	SCREW -----							2	
		*-----								
-47	0715061-1	RETAINER-WINDOW MOULDING -----							1	
-48	0715061-2	RETAINER-WINDOW MOULDING -----							2	
-49	1217059-1	RETAINER -----							2	
-50	1217088-17	PUSH ROD ASSY-DOOR LATCH -----							1	
		ATTACHING PARTS								
-51	MS20392-1C11	PIN -----							1	
-52	MS24665-132	PIN-COTTER -----							2	
	AN960-4L	WASHER -----							1	
-53	MS20392-1C9	PIN -----							1	
		*-----								
-54	9860065-1	CABLE ASSY-UPPER AFT PIN -----							1	
		ATTACHING PARTS								
-55	AN315-4R	NUT -----							2	
-56	S2226-2	CLAMP -----							2	
	AN507-832R4	SCREW -----							1	
	S1477-08	NUT -----							2	
	AN525-10R6	SCREW -----							1	
		*-----								
-57	CM2692-28-1	PLUG BUTTON -----							1	
	1217046-4	BASE PLATE ASSY-INTERIOR DOOR HANDLE -----							1	
		ATTACHING PARTS								
-58	NAS220-5	SCREW -----							5	
		*-----								
-59	1217046-5	PLATE ASSY -----							1	
-60	1217050-6	SHAFT ASSY -----							1	
-61	AN960-716L	WASHER -----							AR	
-62	1217046-6	BEARING ASSY -----							1	
-63	NAS221-15	SCREW -----							3	
-64	NAS43HT3-45	SPACER -----							3	
-65	MS20364-1032C	NUT -----							3	
A---182 & T182 SERIAL 18267716 & ON										

# 182 & T182 Parts Catalog

Door & Window (Cont)



18262466 THRU 18265965  
F18200001 THRU F18200064

18265966 & ON  
F18200065 & ON

**182 SERIAL 18262466 THRU 18267715**  
**F182 SERIAL F18200001 THRU F18200169**

Figure 79. Right Cabin Door Assembly-Openable Window

# 182 & T182 Parts Catalog

FIGURE AND INDEX NO.	PART NUMBER	DESCRIPTION							UNITS PER ASSY	USABLE ON CODE
		1	2	3	4	5	6	7		
79 -		RIGHT CABIN DOOR ASSY-OPENABLE WINDOW -----							NP	A
		ATTACHING PARTS -----								
- 1	AN509-10R14	SCREW -----							3	
- 2	AN507-1032R12	SCREW -----							2	
- 3	AN960-10L	WASHER -----							5	
- 4	MS21044N3	NUT -----							5	
		-----*								
- 5	1217053-2	HANDLE-INSIDE DOOR WEU 1217053-4 -----							1	
	1217053-4	HANDLE-INSIDE DOOR -----							1	
		ATTACHING PARTS -----								
- 6	NAS388-10-7P	SCREW-SELF LOCKING -----							1	
		-----*								
	1217046-4	BASE PLATE ASSY-RH -----							1	
		ATTACHING PARTS -----								
- 7	NAS220-5	SCREW -----							5	
	NAS697A08	NUTPLATE -----							5	
		-----*								
- 8	1217046-5	PLATE ASSY -----							1	
- 9	1217050-4	SHAFT ASSY -----							1	
-10	1217046-6	BEARING ASSY -----							1	
		ATTACHING PARTS -----								
-11	NAS220-5	SCREW -----							3	
-12	NAS43HT3-45	SPACER -----							3	
-13	MS20364-1032C	NUT -----							3	
		-----*								
	0517021-1	PUSH ROD ASSY -----							1	
-14	0517021-4	TUBE ASSY -----							1	
-15	0517021-5	TUBE ASSY -----							1	
		ATTACHING PARTS -----								
-16	MS20392-1C9	PIN -----							1	
-17	MS20392-1C15	PIN -----							1	
-18	MS24665-132	COTTER PIN -----							2	
		-----*								
-19	AN315-4R	NUT-JAMB -----							1	
-20	SEE FIG 81	LATCH ASSY-CABIN DOOR -----							1	
		ATTACHING PARTS -----								
-21	NAS220-5	SCREW -----							10	
	NAS697A08	NUTPLATE -----							5	
		-----*								
-22	1217058-1	PLATE-SPLICE -----							1	
		ATTACHING PARTS -----								
-23	NAS220-5	SCREW -----							5	
	NAS697A08	NUTPLATE -----							5	
		-----*								
-24	1213942-2	HINGE ASSY-DOOR STOP -----							1	
		ATTACHING PARTS -----								
-25	AN509-10R8	SCREW -----							3	
		-----*								
	1217045-214	STRUCTURE ASSY-CABIN DOOR RH -----							1	
	1217045-215	STRUCTURE ASSY-CABIN DOOR RH -----							1	
-26	0711034-1	STOP-CABIN DOOR HANDLE -----							1	
-27	1217035-1	RUB BLOCK -----							1	
-28	0711064-5	SUPPORT ASSY-DOOR LATCH -----							1	
	NAS696A08	NUTPLATE -----							2	
-29	0717010-24	STIFFENER BRACKET ASSY-DOOR LATCH -----							1	
	NAS682A08	NUTPLATE -----							1	
-30	0717012-5	SUPPORT ASSY-ARMREST -----							1	
	NAS697A08	NUTPLATE -----							1	
-31	0717012-4	SUPPORT ASSY-ARMREST -----							1	
	NAS696A08	NUTPLATE -----							1	
-32	0715056-1	SPACER-ARMREST -----							1	
-33	1217038-2	BRACKET-CABIN DOOR STOP -----							1	
-34	1217038-1	BRACKET-CABIN DOOR STOP -----							1	
-35	1411206-7	ARM-CABIN DOOR STOP -----							1	
		ATTACHING PARTS -----								
-36	MS20615-4M10	RIVET -----							1	
		-----*								
-37	NAS220-16	SCREW -----							1	
-38	1411206-1	SPACER -----							2	
-39	NAS697A08	NUT -----							1	
-40	1411207-1	SPRING -----							1	
-41	1411207-2	SPRING -----							1	
		ATTACHING PARTS -----								
-42	AN525-832R7	SCREW -----							1	
		-----*								

CONTINUED ON NEXT PAGE

# 182 & T182 Parts Catalog

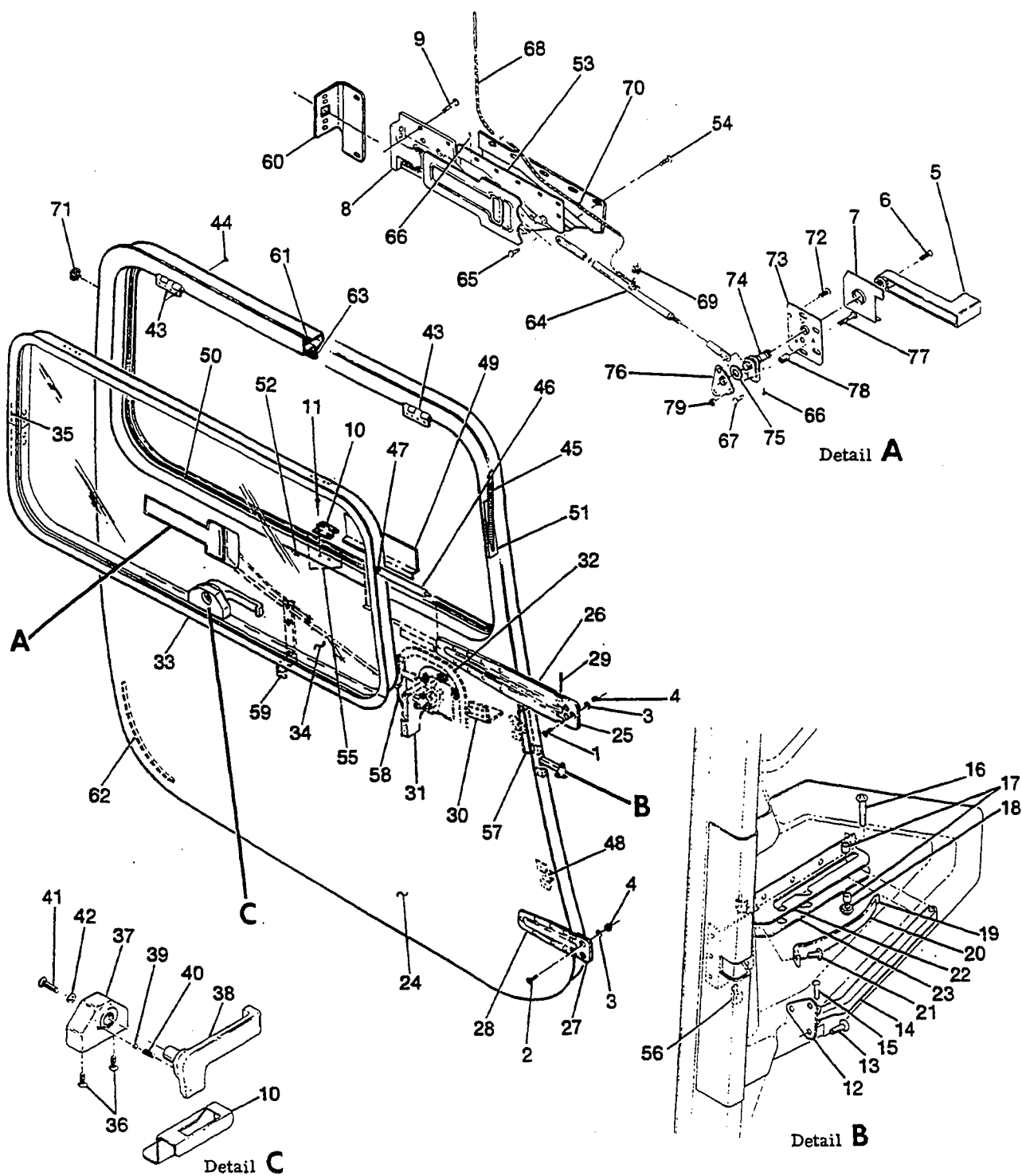
FIGURE AND INDEX NO.	PART NUMBER	DESCRIPTION	UNITS PER ASSY	USABLE ON CODE
		1 2 3 4 5 6 7		
79 -43	0711037-14	HINGE-UPPER STATIONARY -----	1	
-44	0711037-16	HINGE-UPPER -----	1	
-45	0711037-18	HINGE-LOWER STATIONARY -----	1	
-46	0711037-20	HINGE-LOWER -----	1	
-47	0711038-1	PIN-HINGE -----	1	
-48	1217056-6	RETAINER ASSY -----	1	
-49	0711021-1	PLATE -----	1	
	NAS696A08K	NUTPLATE -----	2	
-50	0711021-9	SPRING -----	1	
-51	S1441-2	SEAL 15.00 IN LG BKI REF S1441-2-15.00 -----	1	
-52	S2249-2	SEAL 160.00 IN LG BKI REF S2249-2-160.00 -----	1	
-53	S2108-1	SEAL 84.00 IN LG BKI REF S2108-1-84.00 -----	1	
-54	1217036-10	SUPPORT ASSY-DOOR PULL -----	1	
	NAS697A3	NUTPLATE -----	1	
	NAS1329S3K80	RIVNUT -----	1	
-55	0711021-4	ARM ASSY -----	1	
		ATTACHING PARTS -----		
-56	AN525-10R8	SCREW -----	1	
-57	0411185-11	HINGE ASSY-WINDOW -----	2	
		ATTACHING PARTS -----		
-58	CR163-4-4	RIVET-CHERRY CY -----	4	
-59	0715033-1	SUPPORT BRACKET-UPHOLSTERY RETAINER -----	2	
		ATTACHING PARTS -----		
	CR163-4-4	RIVET-CHERRY CY -----	4	
		ATTACHING PARTS -----		
	0711050-28	WINDOW ASSY-DOOR RH OPENABLE -----	1	B
	0711050-40	WINDOW ASSY-DOOR RH OPENABLE -----	1	C
-60	0711050-33	FRAME-WINDOW -----	1	
-61	0711050-15	TUBE SPLICE -----	1	
		ATTACHING PARTS -----		
-62	S1726-1	RIVET -----	2	
	S1727-1	RIVET -----	4	
-63	0711051-7	GLASS ASSY-WINDOW CLEAR -----	1	
	0711050-5	SEAL -----	1	
-64	1411202-201	BRACKET ASSY-WINDOW LATCH -----	1	B
		ATTACHING PARTS -----		
-65	NAS514-1032-14	SCREW -----	2	B
	NAS543-3-34	SPACER -----	2	B
-66	S1483-1	HANDLE ASSY-WINDOW -----	1	B
-67	NAS561P3-8	PIN -----	1	B
	1217066-2	LATCH ASSY -----	1	C
		ATTACHING PARTS -----		
-68	NAS514-1032-14	SCREW -----	2	C
	NAS43HT3-34	SPACER -----	2	C
-69	1217063-3	BRACKET -----	1	C
-70	1217063-2	HANDLE -----	1	C
-71	S272-5	BALL -----	1	C
-72	MS24585-1020	SPRING -----	1	C
-73	S1931-8	SCREW -----	1	C
-74	AN960CB	WASHER -----	1	C
-75	1217065-2	STRIKER -----	1	C
		ATTACHING PARTS -----		
	AN507-832R6	SCREW -----	2	C
-76	0700685-4	STRIKER -----	1	B
		ATTACHING PARTS -----		
-77	AN507-832R6	SCREW -----	2	B
		ATTACHING PARTS -----		

NOTE. \*THIS PART IS INSTALLED UNDER S2249-2-160.00

- A---182 SERIAL 18262466 THRU 18267715  
F182 SERIAL F18200001 THRU F18200169
- B---182 SERIAL 18262466 THRU 18265965  
F182 SERIAL F18200001 THRU F18200064
- C---182 SERIAL 18265966 THRU 18267715  
F182 SERIAL F18200065 THRU F18200169

# 182 & T182 Parts Catalog

Door & Window (Cont)



**182 & T182 SERIAL 18267716 & ON**

Figure 80. Right Cabin Door Assembly - Operable Window



# 182 & T182 Parts Catalog

FIGURE AND INDEX NO.	PART NUMBER	DESCRIPTION	UNITS PER ASSY	USABLE ON CODE
		1 2 3 4 5 6 7		
80 -		RIGHT CABIN DOOR ASSEMBLY-OPENABLE WINDOW -----	NP	A
- 1	AN509-10R14	ATTACHING PARTS	3	
- 2	AN507-1032R12	SCREW UPPER HINGE -----	2	
- 3	AN960-10L	SCREW -----	5	
- 4	MS21044N3	WASHER -----	5	
		NUT -----		
		*-----		
- 5	1217053-4	HANDLE -----	1	
		ATTACHING PARTS		
- 6	NAS388-10-7P	SCREW SELF LOCKING -----	1	
		*-----		
- 7	SEE FIG 87	CABIN DOOR UPHOLSTERY -----		
- 8	SEE FIG 82	LATCH ASSY-REMOVABLE -----	1	
		ATTACHING PARTS		
- 9	NAS220-5	SCREW -----	4	
	AN525-10R6	SCREW -----	2	
		*-----		
-10	1217065-4	PLATE-STRIKER -----	1	
		ATTACHING PARTS		
-11	AN507-832R6	SCREW -----	2	
		*-----		
-12	1213942-2	HINGE ASSY-RH DOOR STOP -----	1	
		ATTACHING PARTS		
-13	AN509-10R8	SCREW -----	3	
		*-----		
-14	1411206-7	ARM-CABIN DOOR STOP -----	1	
		ATTACHING PARTS		
-15	MS20615-4M10	RIVET -----	1	
-16	NAS220-16	SCREW -----	1	
-17	1411206-1	SPACER -----	2	
-18	MS21044N08	NUT -----	1	
		*-----		
-19	1411207-2	SPRING-OUTBOARD -----	1	
-20	1411207-1	SPRING-INBOARD -----	1	
		ATTACHING PARTS		
-21	AN525-832R7	SCREW -----	1	
		*-----		
-22	1217038-2	BRACKET-CABIN DOOR STOP UPPER -----	1	
-23	1217038-1	BRACKET-CABIN DOOR STOP LOWER -----	1	
	1217000-208	STRUCTURE ASSY-CABIN DOOR -----	1	
-24	1217000-26	SKIN-CABIN DOOR -----	1	
-25	0711037-14	HINGE-UPPER FWD -----	1	
-26	0711037-16	HINGE-UPPER AFT -----	1	
-27	0711037-18	HINGE-LOWER FWD -----	1	
-28	0711037-20	HINGE-LOWER AFT -----	1	
-29	0711038-1	PIN-HINGE -----	2	
-30	0717012-5	SUPPORT ASSY-ARMREST -----	1	
	NAS697A08	NUTPLATE -----	1	
-31	0717012-4	SUPPORT-ARMREST -----	1	
-32	1217048-2	PAN ASSY-INTERIOR DOOR HANDLE -----	1	
	NAS697A08	NUTPLATE -----	5	
	NAS697A08	NUTPLATE -----	12	
	0711050-40	WINDOW ASSY-DOOR RH -----	1	
-33	0711050-33	FRAME-WINDOW -----	1	
-34	0711051-6	WINDOW-DOOR TINTED -----	1	
-35	0711050-15	TUBE-SPLICE -----	1	
		ATTACHING PARTS		
	CR163-4-4	RIVET CR -----	6	
		*-----		
	1217066-2	LATCH ASSY-WINDOW -----	1	
		ATTACHING PARTS		
-36	NAS514P1032-14	SCREW -----	2	
	NAS43HT3-34	SPACER -----	2	
		*-----		
-37	1217063-3	BRACKET -----	1	
-38	1217063-2	HANDLE -----	1	
-39	S272-5	BALL -----	1	
-40	MS24585-1020	SPRING -----	1	
-41	S1931-8	SCREW -----	1	
-42	AN960C8	WASHER -----	1	

CONTINUED ON NEXT PAGE

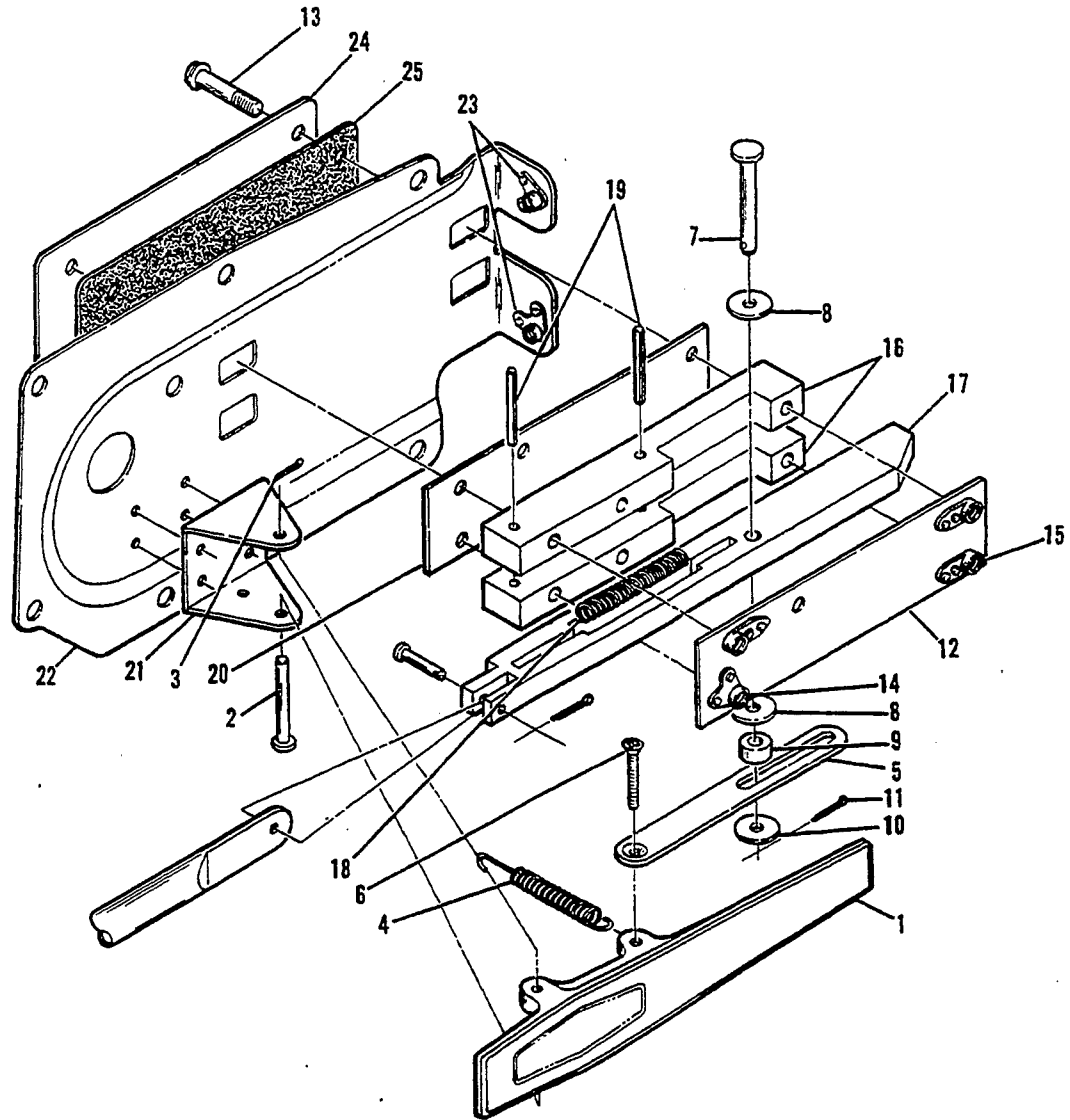
# 182 & T182 Parts Catalog

FIGURE AND INDEX NO.	PART NUMBER	DESCRIPTION							UNITS PER ASSY	USABLE ON CODE
		1	2	3	4	5	6	7		
80 -43	0411185-11	HINGE ASSY-WINDOW -----							2	
-44	CR163-4-4	ATTACHING PARTS -----								
		RIVET CR -----							6	
		*-----								
-45	0711021-9	SPRING -----							1	
-46	0711021-4	ARM ASSY -----							1	
-47	AN525-10R8	SCREW -----							1	
-48	0715033-1	BRACKET -----							2	
-49	1215151-6	SUPPORT ASSY -----							1	
	NAS697A3	NUTPLATE -----							1	
	NAS1329A08K-75	RIVNUT -----							2	
-50	1217056-10	RETAINER ASSY -----							1	
-51	0711021-1	PLATE -----							1	
-52	NAS696A08K	NUTPLATE -----							2	
-53	1217089-4	PLATE-COVER -----							1	
		ATTACHING PARTS -----								
-54	NAS220-5	SCREW -----							8	
		*-----								
-55	0717010-22	REINFORCEMENT -----							1	
-56	1217059-1	RETAINER -----							2	
-57	2215032-1	BRACKET ASSY-ARMREST -----							1	
	NAS682A08	NUTPLATE -----							2	
-58	2215033-6	BRACKET ASSY-ARMREST -----							1	
	NAS682A08	NUTPLATE -----							2	
-59	2215031-4	BRACKET ASSY-ARMREST -----							1	
		ATTACHING PARTS -----								
	S1021Z8-6	SCREW -----							1	
	NAS446-4-1	NUT -----							1	
		*-----								
	NAS684A08	NUTPLATE -----							2	
-60	0717039-1	COVER-CABIN DOOR LATCH -----								
-61	S2249-2	SEAL	160.00	IN	LG	BKI	REF S2249-2-160.00	1		
-62	S1441-2	SEAL	15.00	IN	LG	BKI	REF S1441-2-15.00	1		
-63	S2108-4	SEAL	84.00	IN	LG	BKI	REF S2108-4-84.00	1		
-64	1217088-17	PUSH ROD ASSY-DOOR LATCH -----							1	
		ATTACHING PARTS -----								
-65	MS20392-1C11	PIN -----							1	
-66	MS24665-132	PIN-COTTER -----							2	
	AN960-4L	WASHER -----							1	
-67	MS20392-1C9	PIN -----							1	
		*-----								
-68	9860065-1	CABLE ASSY-UPPER AFT PIN -----							1	
		ATTACHING PARTS -----								
-69	AN315-4R	NUT -----							2	
-70	S2226-2	CLAMP -----							2	
	AN507-832R4	SCREW -----							1	
	S1477-08	NUT -----							1	
	AN507-832R6	SCREW -----							1	
		*-----								
-71	CM2692-28-1	PLUG BUTTON -----							1	
	1217046-4	BASE PLATE ASSY-INTERIOR DOOR HANDLE -----							1	
		ATTACHING PARTS -----								
-72	NAS220-5	SCREW -----							5	
		*-----								
-73	1217046-5	PLATE ASSY -----							1	
-74	1217050-6	SHAFT ASSY -----							1	
-75	AN960-416L	WASHER -----							AR	
-76	1217046-6	BEARING ASSY -----							1	
-77	NAS221-15	SCREW -----							3	
-78	NAS43HT3	SPACER -----							3	
-79	MS20364-1032C	NUT -----							3	

A---182 & T182 SERIAL 18267716 & ON

# 182 & T182 Parts Catalog

## Door and Window (Cont)



**182 SERIAL 18262466 THRU 18267715**  
**F182 SERIAL F1820001 THRU F18200169**

Figure 81. Cabin Door Latch Assembly

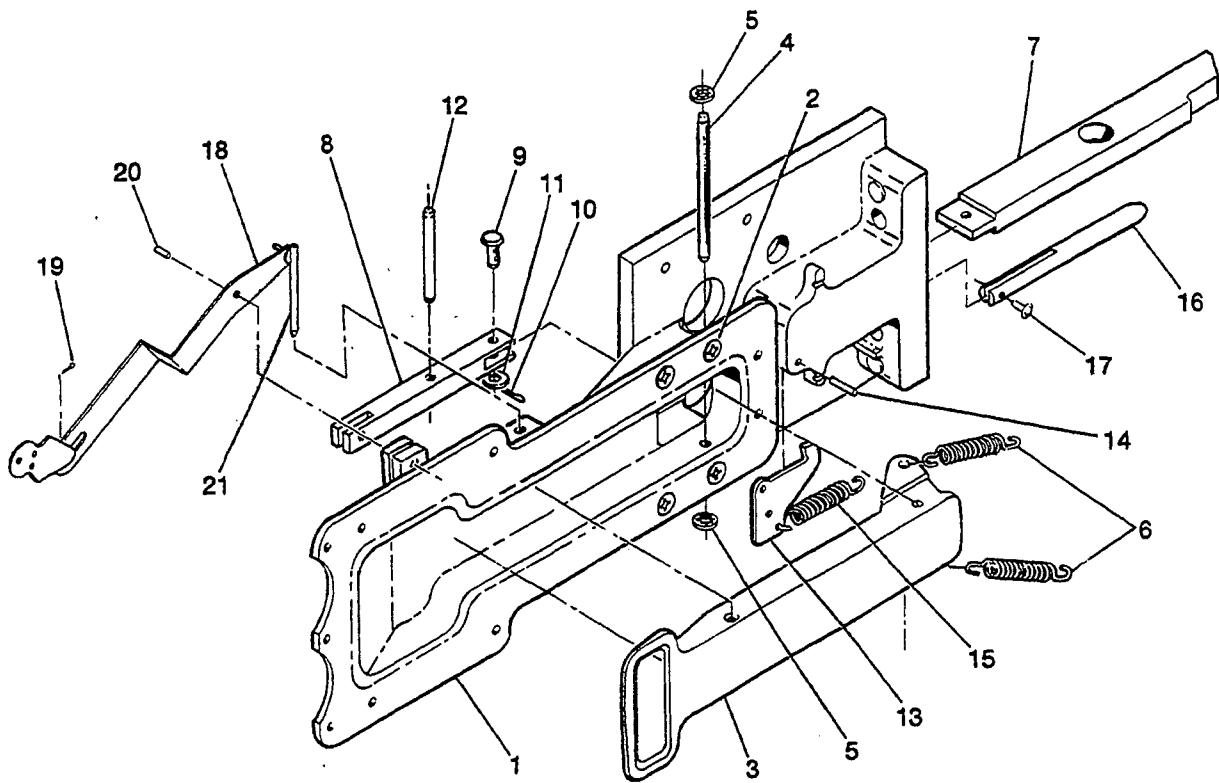
# 182 & T182 Parts Catalog

FIGURE AND INDEX NO.	PART NUMBER	DESCRIPTION							UNITS PER ASSY	USABLE ON CODE	
		1	2	3	4	5	6	7			
81 -	1217049-1	LATCH ASSEMBLY-CABIN DOOR LH							1	A	
	1217049-7	LATCH ASSEMBLY-CABIN DOOR LH				ALT			1		
	1217049-2	LATCH ASSEMBLY-CABIN DOOR RH							1		
	1217049-8	LATCH ASSEMBLY-CABIN DOOR RH				ALT			1		
	- 1	0517003-2	HANDLE-OUTSIDE DOOR								1
			ATTACHING PARTS								
	- 2	MS20392-1C33	PIN								1
	- 3	MS20665-132	COTTER PIN								1
			*-----								
	- 4	0711788-1	SPRING-DOOR HANDLE								1
	- 5	1511209-12	PULL BAR								1
			ATTACHING PARTS								
	- 6	AN507-632R12	SCREW								1
	- 7	MS20392-2C45	PIN								1
	- 8	S1450-31-8-032	WASHER								2
	- 9	NAS43DD3-12	SPACER								1
	-10	AN960D10L	WASHER								1
	-11	MS24665-132	COTTER PIN								1
			*-----								
	-12	1511206-20	BOLT GUIDE ASSEMBLY-TOP								1
			ATTACHING PARTS								
	-13	AN525-10R18	SCREW								4
			*-----								
	-14	NAS698A3	NUTPLATE								1
	-15	NAS682A3	NUTPLATE								3
-16	1511206-11	BOLT GUIDE-SIDE							2		
-17	1511206-21	BOLT ASSEMBLY LH							1		
	1511206-22	BOLT ASSEMBLY RH							1		
		ATTACHING PARTS									
-18	1511207-1	SPRING							1		
-19	NAS561P4-16	ROLL PIN							1		
		*-----									
-20	1511206-4	BOLT GUIDE BASE							1		
-21	1511209-1	BRACKET							1		
-22	1217049-3	PLATE ASSY-LH							1		
	1217049-4	PLATE ASSY-RH							1		
-23	NAS698A08	NUTPLATE							2		
-24	1511208-16	BACKING-SHIM							1		
-25	1511208-17	BACKING							1		

A---182 SERIAL 18262466 THRU 18267715  
F182 SERIAL F18200001 THRU F182000169

# 182 & T182 Parts Catalog

Door & Window (Cont)



**182 & T182 SERIAL 18267716 & ON**

Figure 82. Latch Assembly-Cabin Door

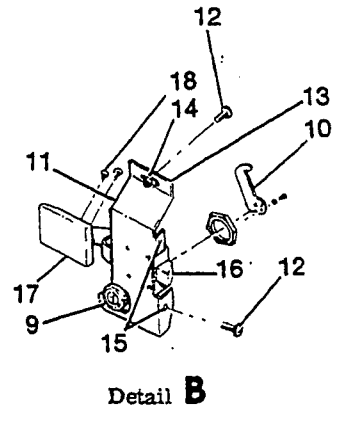
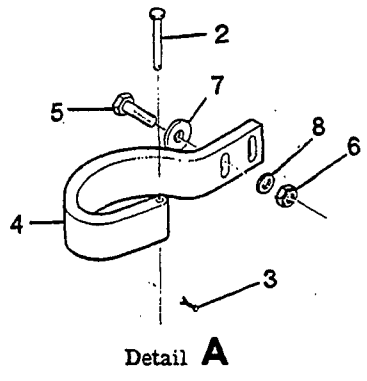
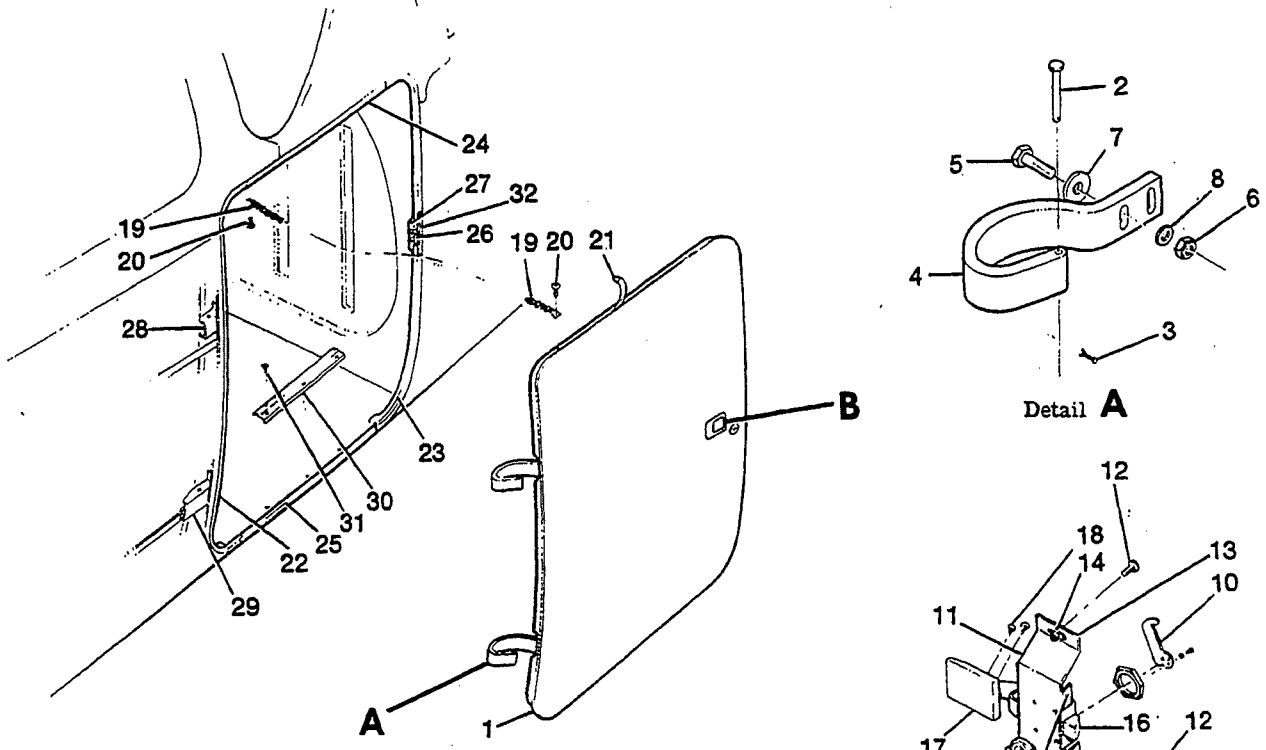
# 182 & T182 Parts Catalog

FIGURE AND INDEX NO.	PART NUMBER	DESCRIPTION	UNITS PER ASSY	USABLE ON CODE		
					1	2
82 -	0717023-1	LATCH ASSEMBLY-CABIN DOOR -----	1	A B C		
- 1	0717024-21	BASE ASSY-LATCH WEU 0717024-27 -----	1			
- 2	0717024-27	BASE ASSY-LATCH -----	1			
- 2	224-39970-890	SCREW -----	4			
- 3	0717024-12	HANDLE-OUTSIDE DOOR -----	1			
- 4	0717024-10	ATTACHING PARTS -----	1			
- 4	0717024-10	PIN-PIVOT -----	1			
- 5	MS35333-36	LOCK WASHER -----	2			
- 6	0717026-3	SPRING -----	2			
- 7	0717024-3	BOLT -----	1			
- 8	0717024-4	PULL BAR -----	1			
- 9	MS20392-1C11	ATTACHING PARTS -----	1			
-10	MS24665-132	PIN -----	1			
-11	AN960-4L	PIN-COTTER -----	1			
-12	MS20392-1C35	WASHER -----	1			
-12	MS20392-1C35	PIN -----	1			
-13	0717024-7	-----*-----	1			
-13	0717024-7	CATCH -----	1			
-14	NAS561-3-16	ATTACHING PARTS -----	1			
-15	0717026-1	PIN -----	1			
-15	0717026-1	SPRING -----	1			
-16	0717024-6	-----*-----	1			
-16	0717024-6	PUSH ROD -----	1			
-17	MS16535-94	ATTACHING PARTS -----	1			
-17	MS16535-94	RIVET -----	1			
-18	0717024-23	-----*-----	1			
-18	0717024-25	LOCKING ARM WEU 0717024-25 -----	1			
-18	0717024-25	LOCKING ARM -----	1			
-19	MS24665-132	ATTACHING PARTS -----	1			
-19	MS24665-132	PIN-COTTER -----	1			
-19	AN960-4	WASHER BETWEEN LOCKING ARM & CAM -----	1			
-19	AN960-4L	WASHER BETWEEN LOCKING ARM & COTTER PIN -----	1			
-20	NAS561-3-6	PIN -----	1			
-21	0717024-18	-----*-----	1			
-21	0717024-17	PIN -----	2			
-21	0717024-17	WASHER -----	2			

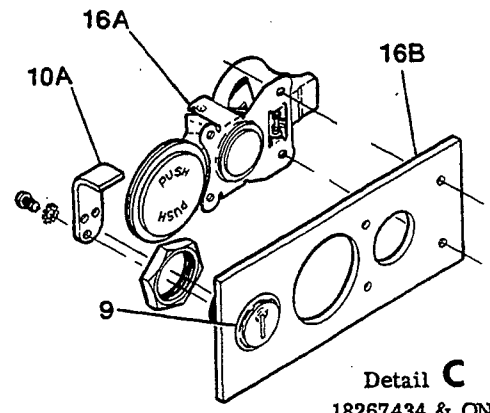
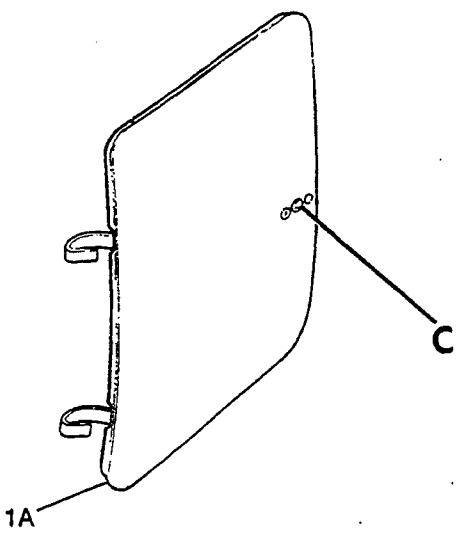
A---182 & T182 SERIAL 18267716 & ON  
 B---182 & T182 SERIAL 18267716 THRU 18268250  
 C---182 & T182 SERIAL 18268251 & ON

# 182 & T182 Parts Catalog

## Baggage Door



18262466 THRU 18267433  
 F18200001 THRU F18200144



Detail C  
 18267434 & ON  
 F18200145 & ON

182 SERIAL 18262466 & ON  
 F182 SERIAL F18200001 THRU F18200169  
 T182 SERIAL 18267716 & ON

Figure 83. Baggage Door Installation

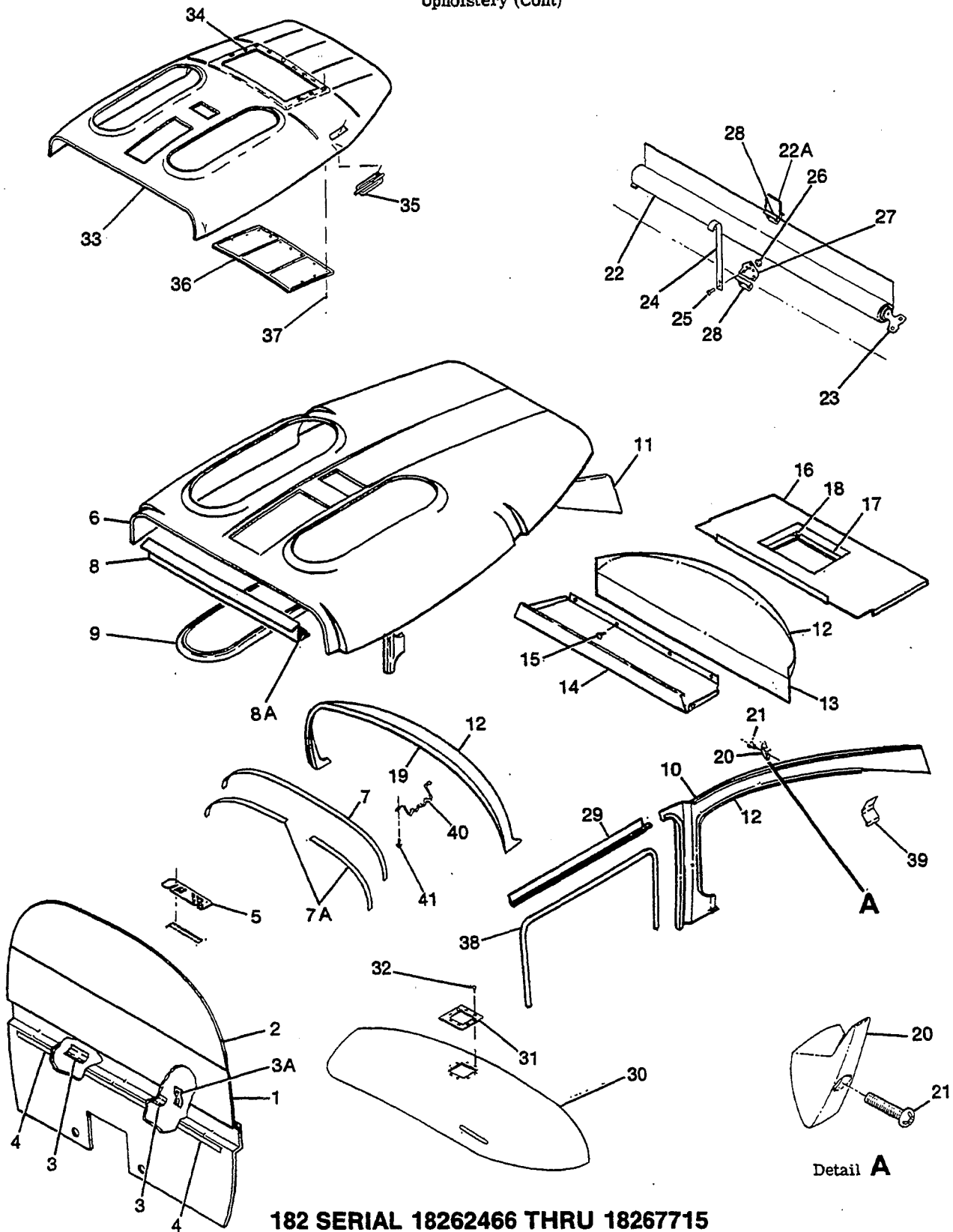
# 182 & T182 Parts Catalog

FIGURE AND INDEX NO.	PART NUMBER	DESCRIPTION	1 2 3 4 5 6 7							UNITS PER ASSY	USABLE ON CODE
			1	2	3	4	5	6	7		
83 -		BAGGAGE DOOR INSTALLATION-FUSELAGE -----								NP	F
- 1	0711791-1	DOOR ASSY-BAGGAGE -----								1	C
- 1A	0711855-1	DOOR ASSY-BAGGAGE -----								1	D
		ATTACHING PARTS -----									
- 2	MS20392-1C37	PIN-CLEVIS -----								2	
- 3	MS24665-151	PIN-COTTER -----								2	
		-----*									
- 4	0711643-1	HINGE -----								2	
		ATTACHING PARTS -----									
- 5	AN3-6A	BOLT -----								2	
- 6	MS21044N3	NUT -----								2	
- 7	AN970-3	WASHER -----								2	
- 8	AN960-10	WASHER -----								2	
		-----*									
- 9	C253001-0101	LOCK ASSY-BAGGAGE DOOR -----								1	
-10	0711111-1	CAM-DOOR LOCK -----								1	C
-10A	0717040-1	CAM-DOOR LOCK -----								1	D
-11	0711790-1	SUPPORT & LATCH ASSY -----								1	C
		ATTACHING PARTS -----									
-12	AN525-832R7	SCREW -----								3	C
		-----*									
-13	0711790-2	SUPPORT ASSY -----								1	C
-14	MS21045L08	NUTPLATE -----								1	C
-15	NAS1067A08	NUTPLATE -----								2	C
-16	S1359-7	LATCH ASSY-BAGGAGE DOOR -----								1	C
		SPACER -----								2	C
-16A	S2455-1	LATCH ASSY-PUSH BUTTON -----								1	D
-16B	0717036-1	MOUNTING PAD-BAGGAGE DOOR LATCH -----								1	D
-17	0711705-1	HANDLE-LATCH -----								1	C
		ATTACHING PARTS -----									
-18	S1931-8	SCREW -----								2	C
	0711709-1	SPACER -----								1	C
		-----*									
-19	S1194-1-17	CHAIN -----								1	
		ATTACHING PARTS -----									
-20	AN507-832R6	SCREW -----								2	
	NAS680A08	NUTPLATE -----								1	
		-----*									
-21	S2287-1	SEAL 84.00 IN LG BKI REF S2287-1-84.00 -----								1	C
-22	0711618-6	DOOR JAMB-FWD -----								1	
-23	0711618-4	DOOR JAMB-AFT -----								1	A
	0711618-5	DOOR JAMB-AFT -----								1	B
-24	0711673-1	DOOR SILL-UPPER -----								1	
-24A	2211079-1	BRACKET ASSY-BAGGAGE DOOR CHAIN -----								1	E
-25	0711620-1	DOOR SILL-LOWER -----								1	
-26	0311319-1	PLATE-STRIKER -----								1	
		ATTACHING PARTS -----									
	0311319-2	SHIM -----								AR	
	AN515-8R8	SCREW -----								2	
		-----*									
-27	0711651-1	BRACKET ASSY-STRIKER PLATE -----								1	
	NAS696A08	NUTPLATE -----								2	
-28	0711628-1	HINGE BRACKET ASSY-UPPER -----								1	
-29	0711628-2	HINGE BRACKET-LOWER -----								1	
-30	0311623-3	SCUFF PLATE -----								1	
		ATTACHING PARTS -----									
-31	S1021Z4-6	SCREW -----								3	
		-----*									
-32	S1441-1	SEAL-3.0 IN LG BKI REF S-1441-1-3.0 -----								1	
		A---182 SERIAL 18262466 THRU 18265965 F182 SERIAL F18200001 THRU F18200064									
		B---182 SERIAL 18265966 & ON T182 SERIAL 18267716 & ON F182 SERIAL F18200065 THRU F18200169									
		C---182 SERIAL 18262466 THRU 18267367 F182 SERIAL F18200001 THRU F18200144									
		D---182 SERIAL 18267368 & ON T182 SERIAL 18267716 & ON F182 SERIAL F18200145 THRU F18200169									
		E---182 SERIAL 18267301 & ON T182 SERIAL 18267716 & ON F182 SERIAL F18200130 THRU F18200169									
		F---182 SERIAL 18262466 & ON T182 SERIAL 18267716 & ON F182 SERIAL F18200001 THRU F18200169									



# 182 & T182 Parts Catalog

## Upholstery (Cont)



**182 SERIAL 18262466 THRU 18267715**  
**F182 SERIAL F1820001 THRU F18200169**

Figure 84. Cabin Top & Firewall Upholstery Installation

# 182 & T182 Parts Catalog

FIGURE AND INDEX NO.	PART NUMBER	DESCRIPTION							UNITS PER ASSY	USABLE ON CODE
		1	2	3	4	5	6	7		
84 -		CABIN TOP & FIREWALL UPHOLSTERY INSTALLATION -----							NP	A
- 1	0700762-26	SOUNDPROOFING ASSY-LWR -----							1	
- 2	0700762-27	SOUNDPROOFING ASSY-UPPER -----							1	
	S1023A8-8	ATTACHING PARTS -----								
	S1067C1	SCREW -----							10	
		WASHER -----							10	
		*-----								
- 3	0713019-86	RETAINER-UPHOLSTERY -----							2	
	S1021Z8-8	ATTACHING PARTS -----								
		SCREW -----							4	
		*-----								
- 3A	0700653-2	SHIELD-CABLE -----							2	
	S1021Z6-8	ATTACHING PARTS -----								
	NAS446-2-3	SCREW -----							2	
		NUT -----							2	
		*-----								
- 4	0700103-131	STRIP -----							2	
	S1021Z6-8	ATTACHING PARTS -----								
		SCREW -----							4	
		*-----								
- 5	0713253-1	DEFLECTOR PLATE-DEFROST -----							1	
	S1021Z4-6B	ATTACHING PARTS -----								
		SCREW -----							4	
		*-----								
- 6	0714002-7	HEADLINER ASSY-MOLDED -----							1	
	0714002-11	HEADLINER ASSY-MOLDED -----							1	
	0714002-8	HEADLINER ASSY-MOLDED USED WITH SKYLIGHT -----							1	
	0714002-12	HEADLINER ASSY-MOLDED USED WITH SKYLIGHT -----							1	
	S1021Z6-8	ATTACHING PARTS -----								
	S1066C1	SCREW -----							3	
		WASHER -----							3	
		*-----								
- 7	0714003-1	TIARA -----							1	
- 7A	0714003-2	TIARA USED WITH INERTIA ONLY -----							2	
	S1022Z4-6	ATTACHING PARTS -----								
		SCREW -----							4	
		*-----								
- 8	0514067-3	RETAINER-FRONT SPAR -----							1	
	0514067-5	RETAINER-FRONT SPAR -----							1	
	S1898-2	ATTACHING PARTS -----								
		FASTENER -----							3	
		*-----								
- 8A	0514061-8	BUSHING -----							1	
- 9	0514064-1	MOLDING-SKYLIGHT WINDOW -----							2	
	S1021Z4-6	ATTACHING PARTS -----								
		SCREW -----							8	
		*-----								
-10	0715044-3	<	MOLDING-WINDOW LH -----				1			
	0715044-15	<	MOLDING-WINDOW LH 120.00 IN LG -----				1			
-11	0715044-4	<	MOLDING-WINDOW RH -----				1			
	0715044-16	<	MOLDING-WINDOW RH 120.00 IN LG -----				1			
-12	S1948-2-1	<	TRIM-EXTRUSION -----				AR			
-13	0700702-21	<	PANEL-CANTED -----				1			
	0715080-1	<	PANEL-CANTED -----				1			
-14	0711682-3	<	BAGGAGE SHELF-REMOVABLE -----				1			
			ATTACHING PARTS -----							
-15	H323-3-1-1		PLUNGER -----				4			
	H559-3-1		GROMMET -----				4			
	HN5P-54-1-1		PLUNGER CENTER HOLES -----				2			
	H322-4-1		GROMMET CENTER HOLES -----				2			
			*-----							
-16	0715023-5	<	PANEL ASSY -----				1			
-17	0715023-8	<	COVER-PANEL -----				1			
			ATTACHING PARTS -----							
-18	S2092-3		FASTENER-HOOK -----				AR			
	S2092-6		FASTENER-PILE -----				AR			
			*-----							
-19	0715010-2	<	MOLDING-AFT WINDOW -----				1			
	0715010-3	<	MOLDING-AFT WINDOW LH -----				1			
	0715010-4	<	MOLDING-AFT WINDOW RH -----				1			
	S1021A46-6		ATTACHING PARTS -----							
			SCREW -----				6			
			*-----							

CONTINUED ON NEXT PAGE

# 182 & T182 Parts Catalog

FIGURE AND INDEX NO.	PART NUMBER	DESCRIPTION							UNITS PER ASSY	USABLE ON CODE
		1	2	3	4	5	6	7		
84 -20	0715038-1	HANGER-COAT -----							2	
-21	AN520-10R12	ATTACHING PARTS								
		SCREW -----							1	
-22	0700707-11	*-----								
-22A	1200612-10	ROLLER CURTAIN ASSY -----							1	
-23	1200612-5	STRAP-PULL -----							1	
		BRACKET KIT-CURTAIN -----							1	
		ATTACHING PARTS								
	S1021A4-16	SCREW -----							4	
		*-----								
-24	0700707-6	SUPPORT ASSY-CURTAIN -----							1	
		ATTACHING PARTS								
-25	AN515-4R10	SCREW -----							1	
-26	NAS679A04	NUT -----							1	
	0700707-8	SPRING -----							1	
		*-----								
-27	0700707-5	BRACKET-CURTAIN SUPPORT -----							1	
		ATTACHING PARTS								
	S1021A4-6C	SCREW -----							2	
		*-----								
-28	1200612-6	BRACKET-CURTAIN HOOK -----							2	
		ATTACHING PARTS								
	S1021Z4-6C	SCREW -----							2	
	NAS446-1-3	NUT -----							2	
		*-----								
-29	0715044-5	MOLDING-DOOR SILL -----							2	
-30	0713534-1	COVER-DECK SKIN -----							1	B
-31	0713535-1	RETAINER-DECK SKIN COVER -----							1	B
		ATTACHING PARTS								
-32	S1022Z6-8B	SCREW -----							8	B
		*-----								
-33	0714051-1	HEADLINER ASSY -----							1	K
	0714051-13	HEADLINER ASSY -----							1	J
	0714051-2	HEADLINER ASSY USED WITH SKYLIGHT -----							1	G
	0714051-14	HEADLINER ASSY USED WITH SKYLIGHT -----							1	J
-34	NAS395-18-3	NUTPLATE -----							11	G
-35	0714051-10	COVER ASSY USED WHEN REAR SEAT VENT NOT INSTALLED -----							2	G
-36	0714051-8	COVER ACCESS -----							1	G
		ATTACHING PARTS								
-37	S1021Z8-10	SCREW -----							11	G
		*-----								
-38	S2195-2	TRIM-WINDLACE BKI REF S2195-2-60.00 -----							2	H
	S2195-4	TRIM-WINDLACE BKI REF S2195-4-60.00 -----							2	J
-39	2215043-3	STIFFENER-WINDOW MOLDING -----							2	J
		ATTACHING PARTS								
	S1021Z4-6	SCREW -----							3	J
		*-----								
-40	1215076-1	COAT HANGER -----							1	J
		ATTACHING PARTS								
-41	AN525-10R12	SCREW -----							2	J
		*-----								
<p>NOTE. &lt; THIS PART MUST HAVE A SECOND DASH NUMBER ADDED TO DENOTE COLOR. REFER TO HOW TO ORDER INTERIOR PARTS-PAGE XIII.</p> <p>NOTE. % REFER TO FIGURE 1 FOR SECOND DASH NUMBER TO DENOTE COLOR REQUIRED.</p> <p>A---182 SERIAL 18262466 THRU 18267715  F182 SERIAL F18200001 THRU F18200169</p> <p>B---182 SERIAL 18263044 THRU 18267715</p> <p>C---182 SERIAL 18263476 THRU 18266590</p> <p>D---182 SERIAL 18262466 THRU 18264641</p> <p>E---182 SERIAL 18262466 THRU 18265965  F182 SERIAL F18200001 THRU F18200094</p> <p>F---182 SERIAL 18265966 THRU 18266590  F182 SERIAL F18200065 THRU F18200094</p> <p>G---182 SERIAL 18266591 THRU 18267715  F182 SERIAL F18200095 THRU F18200169</p> <p>H---182 SERIAL 18262466 THRU 18267300  F182 SERIAL F18200001 THRU F18200129</p> <p>J---182 SERIAL 18267301 THRU 18267715  F182 SERIAL F18200130 THRU F18200169</p> <p>K---182 SERIAL 18266591 THRU 18267300  F182 SERIAL F18200095 THRU F18200129</p> <p>L---182 SERIAL 18262466 THRU 18266591  F182 SERIAL F18200001 THRU F18200095</p>										

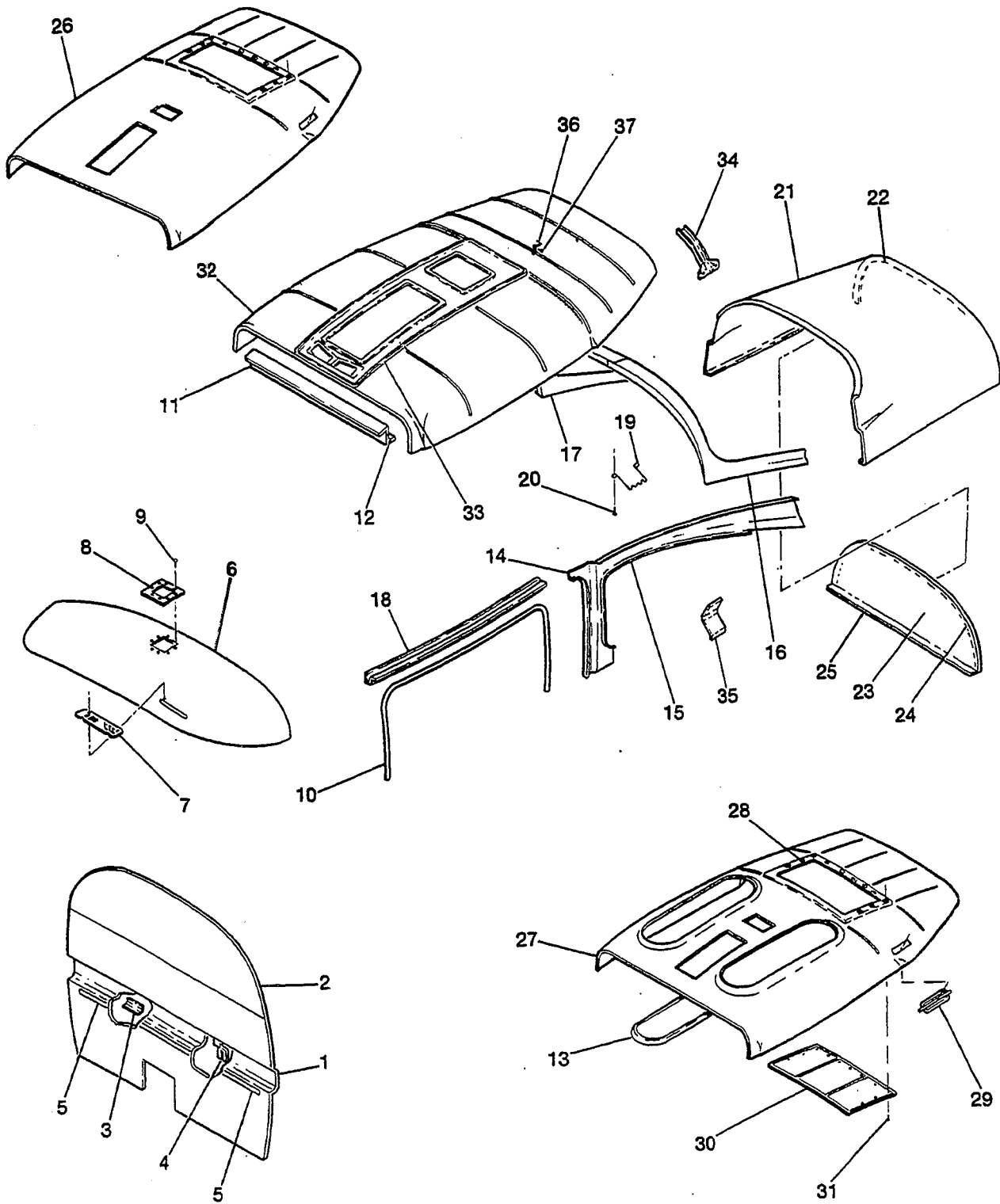
# 182 & T182 Parts Catalog

FIGURE AND INDEX NO.	PART NUMBER	DESCRIPTION	1 2 3 4 5 6 7							UNITS PER ASSY	USABLE ON CODE
			1	2	3	4	5	6	7		
85 -		CABIN TOP & FIREWALL UPHOLSTERY INSTALLATION -----								NP	A
- 1	0700762-26	SOUNDPROOFING ASSY-LWR -----								1	
- 2	0700762-27	SOUNDPROOFING ASSY-UPPER -----								1	
	S1023A8-8	ATTACHING PARTS -----								10	
	S1067C1	SCREW -----								10	
		WASHER -----								10	
		-----*									
- 3	0713019-86	RETAINER-UPHOLSTERY -----								2	
	S1021Z8-8	ATTACHING PARTS -----								4	
		SCREW -----								4	
		-----*									
- 4	0700653-1	SHIELD-CABLE -----								2	
	S1021Z6-8	ATTACHING PARTS -----								2	
		SCREW -----								2	
	NAS446-2-3	NUT -----								2	
		-----*									
- 5	0700103-131	STRIP -----								2	
	S1021Z6-8	ATTACHING PARTS -----								2	
		SCREW -----								2	
		-----*									
- 6	0713534-6	COVER-DECK SKIN -----								1	
- 7	0713253-1	DEFLECTOR PLATE-DEFROST -----								1	
	S1021Z4-6B	ATTACHING PARTS -----								4	
		SCREW -----								4	
		-----*									
- 8	0713535-1	RETAINER-DECK SKIN COVER -----								1	
		ATTACHING PARTS -----								1	
		SCREW -----								8	
		-----*									
-10	S2195-4	TRIM-WINDLACE BKI REF S2195-4-60.00 -----								2	
-11	0514067-5	RETAINER-FRONT SPAR -----								1	
	S1898-2	ATTACHING PARTS -----								3	
		FASTENER -----								3	
		-----*									
-12	0514061-8	BUSHING -----								1	
-13	0514064-1-532	MOLDING-SKYLIGHT WINDOW -----								2	
	S1021Z4-6	ATTACHING PARTS -----								8	
		SCREW -----								8	
		-----*									
-14	0715044-15-532	MOLDING-WINDOW LH -----								1	
	0715044-16-532	MOLDING-WINDOW RH -----								1	
	S1948-2-1	TRIM-EXTRUSION -----								AR	
-15	0715010-3-532	MOLDING-UPPER AFT WINDOW LH -----								1	
-16	0715010-4-532	MOLDING-UPPER AFT WINDOW RH -----								1	
-17	S1021A4-6	ATTACHING PARTS -----								6	
		SCREW -----								6	
		-----*									
	S1948-2-1	TRIM-EXTRUSION -----								AR	
-18	0715044-5-532	MOLDING-DOOR SILL -----								2	
-19	1215076-1	HANGER-COAT -----								1	
		ATTACHING PARTS -----								2	
		SCREW -----								2	
		-----*									
-21	2215012-7	PANEL ASSY-BAGGAGE -----								1	
	S1021Z6-8	ATTACHING PARTS -----								AR	
		SCREW -----								AR	
		-----*									
-22	S2092-3	FASTENER-HOOK 48.00 IN LG BKI REF S2092-3-48.00 -----								1	
-23	2215012-3	PANEL ASSY-BAGGAGE -----								1	
-24	S2092-4	FASTENER 48.00 IN LG BKI REF S2092-4-48.00 -----								1	
-25	S2092-3	FASTENER 30.00 IN LG BKI REF S2092-3-30.00 -----								1	
-26	0714051-13	HEADLINER ASSY STD -----								1	
-27	0714051-14	HEADLINER ASSY WITH SKYLIGHT -----								1	
	SEE FIG 85A	HEADLINER ASSY WITH SKYLIGHT -----								1	
-28	NAS395-18-3	NUTPLATE -----								11	C
-29	0714051-10	COVER ASSY USED WHEN REAR SEAT VENT NOT INSTALLED -----								2	C
-30	0714051-8	COVER-ACCESS -----								1	C
		ATTACHING PARTS -----								1	C
		SCREW -----								11	C
-31	S1021Z8-10	-----*									

CONTINUED ON NEXT PAGE

# 182 & T182 Parts Catalog

## Upholstery (Cont)



**182 & T182 SERIAL 18267716 & ON**

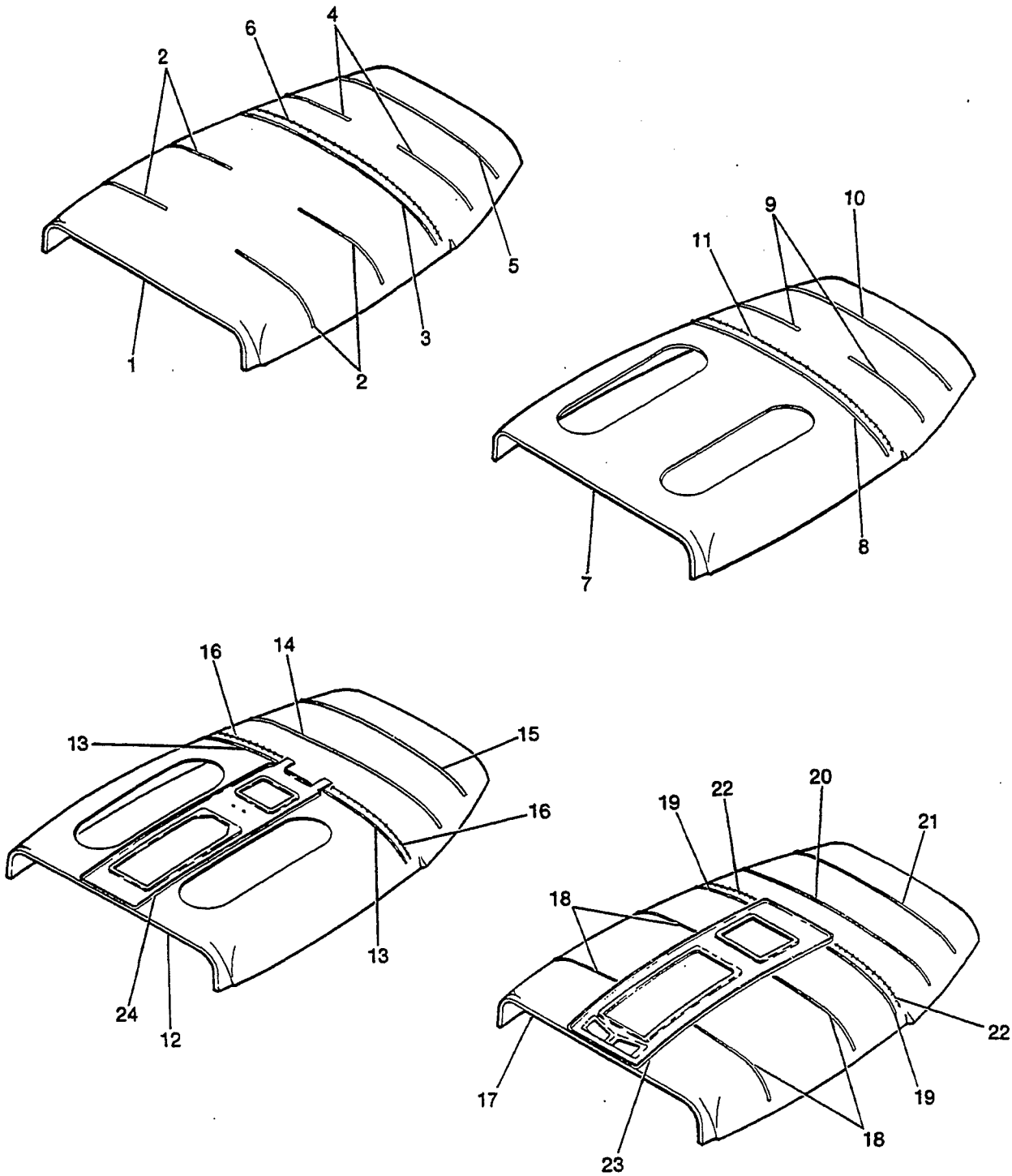
Figure 85. Cabin Top & Firewall Upholstery Installation

# 182 & T182 Parts Catalog

FIGURE AND INDEX NO.	PART NUMBER	DESCRIPTION	UNITS PER ASSY	USABLE ON CODE
		1 2 3 4 5 6 7		
85 -32 -33	SEE FIG 85A	HEADLINER ASSY USED WITH AIR CONDITIONER -----	1	B B
	SEE FIG 85A	CONSOLE-OVERHEAD USED WITH A/C -----	1	
	S1898-2	ATTACHING PARTS FASTENER ----- -----*	3	
-34	2215046-3	FORMER ASSY-LH -----	1	
	2215046-4	FORMER ASSY-RH -----	1	
	S1021Z4-6	ATTACHING PARTS SCREW ----- -----*	2	
-35	2215043-3	STIFFENER -----	2	
	S1021Z4-6	ATTACHING PARTS SCREW ----- -----*	3	
-36	1200542-4	HANGER USED WITH 2215003-1 -----	1	
-37	S1021Z4-6	ATTACHING PARTS SCREW ----- -----*	1	
<p>A---182 &amp; T182 SERIAL 18267716 &amp; ON            B---T182 SERIAL 18267716 &amp; ON            C---182 &amp; T182 SERIAL 18267716 THRU 18268293            D---182 SERIAL 18268294 &amp; ON</p>				

# 182 & T182 Parts Catalog

## Upholstery (Cont)



**182 & T182 SERIAL 18267716 & ON**

Figure 85A, Cabin Top Upholstery Installation

# 182 & T182 Parts Catalog

FIGURE AND INDEX NO.	PART NUMBER	DESCRIPTION							UNITS PER ASSY	USABLE ON CODE
		1	2	3	4	5	6	7		
85A-		<b>CABIN TOP UPHOLSTERY INSTALLATION -----</b>							NP	A
- 1	2215003-1	HEADLINER ASSY							1	B
	2215003-18	HEADLINER ASSY							1	E
- 2	2215003-6	WIRE-HEADLINER							4	E
	2215003-22	WIRE-HEADLINER							4	E
- 3	2215003-8	WIRE-HEADLINER							1	E
	2215003-23	WIRE-HEADLINER							1	E
- 4	2215003-9	WIRE-HEADLINER							2	
- 5	2215003-10	WIRE-HEADLINER							1	
- 6	2215003-5	ZIPPER							1	
- 7	2215003-2	HEADLINER ASSY							1	
- 8	2215003-8	WIRE-HEADLINER							2	
- 9	2215003-9	WIRE-HEADLINER							1	
-10	2215003-10	WIRE-HEADLINER							1	
-11	2215003-5	ZIPPER							1	
-12	2215003-12	HEADLINER ASSY							1	
-13	2215003-16	WIRE-HEADLINER							2	
-14	2215003-17	WIRE-HEADLINER							1	
-15	2215003-10	WIRE-HEADLINER							1	
-16	2215003-15	ZIPPER							2	
-17	2215003-11	HEADLINER ASSY							1	
	2215003-19	HEADLINER ASSY							1	
-18	2215003-6	WIRE-HEADLINER							4	E
	2215003-22	WIRE-HEADLINER							4	E
-19	2215003-16	WIRE-HEADLINER							2	E
	2215003-24	WIRE-HEADLINER							2	E
-20	2215003-17	WIRE-HEADLINER							1	
-21	2215003-10	WIRE-HEADLINER							1	
-22	2215003-15	ZIPPER							2	
-23	2215040-2	CONSOLE-OVERHEAD							1	D
	2215052-2	CONSOLE-OVERHEAD							1	C
-24	2215052-1	CONSOLE-OVERHEAD							1	C
		A---182 & T182 SERIAL 18267716 & ON B---182 SERIAL 18268294 & ON T182 SERIAL 18267716 & ON C---182 & T182 SERIAL 18268294 & ON D---T182 SERIAL 18267716 THRU 18268293 E---T182 SERIAL 18268294 & ON								



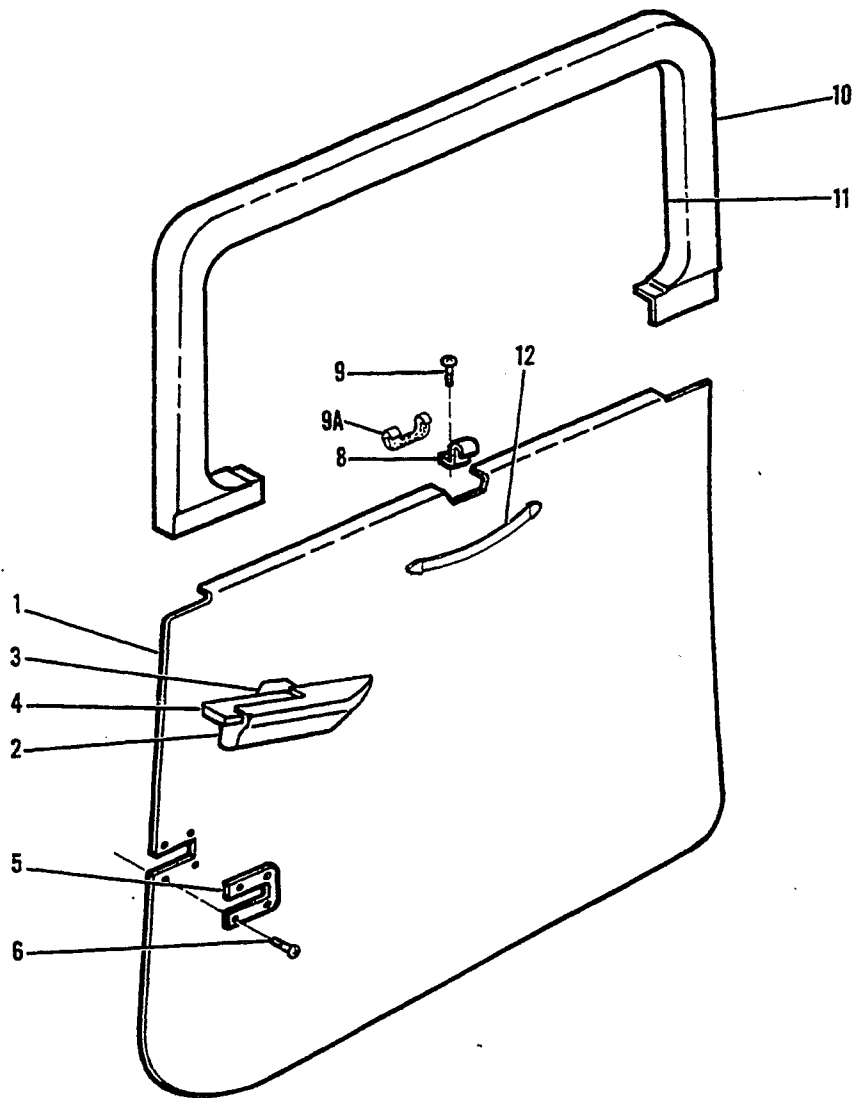
# 182 & T182 Parts Catalog

FIGURE AND INDEX NO.	PART NUMBER	DESCRIPTION							UNITS PER ASSY	USABLE ON CODE
		1	2	3	4	5	6	7		
86 -										
- 1	0715036-4	#								
	0715057-12	##								
	0715073-4	##								
	2215010-4	##								
	0715057-42	##								
	0715073-34	##								
	2215010-18	##								
	0715036-3	##								
	0715057-11	##								
	0715073-3	##								
	2215010-3	##								
- 2	0717011-28	#								
	0717011-27	#								
	AN515-8R12									
- 3	0705042-2	<								
	0705042-1	<								
- 4	SEE FIG 75									
- 5	1715047-4	<								
	1715047-3	<								
- 6	S1022A4-6									
- 7										
- 8	0700685-3									
	0700685-4									
	1217065-1									
	1217065-2									
- 9	S1021Z8-8									
- 9A	0715031-1	<								
- 10	0715032-16	<								
	0715069-1	<								
	0715032-15	<								
- 11	S1948-2-1									

CONTINUED ON NEXT PAGE

# 182 & T182 Parts Catalog

Upholstery (Cont)



**182 SERIAL 18262466 THRU 18267715**  
**F182 SERIAL F1820001 THRU F18200169**

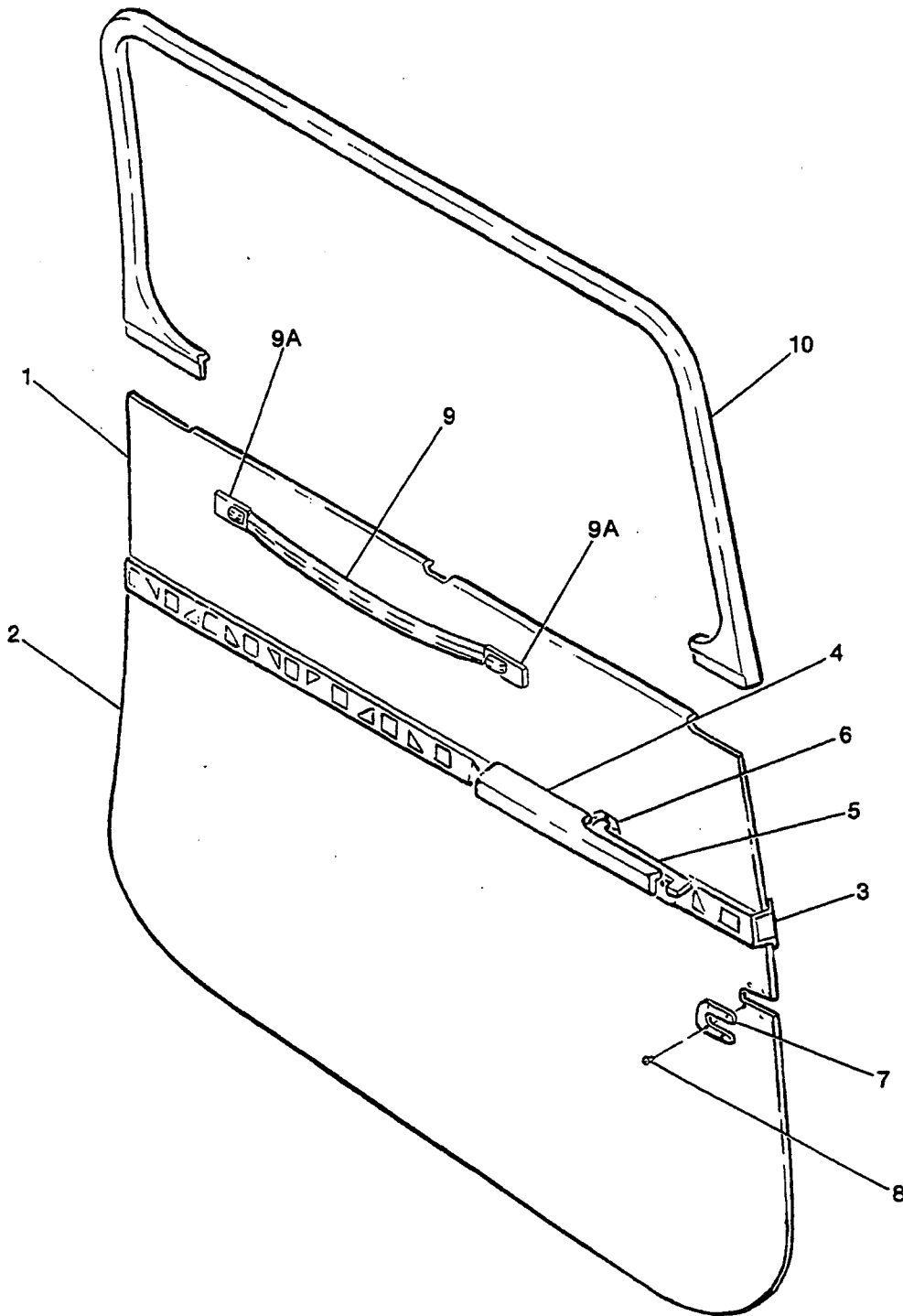
Figure 86. Cabin Door Upholstery Installation

# 182 & T182 Parts Catalog

FIGURE AND INDEX NO.	PART NUMBER	DESCRIPTION							UNITS PER ASSY	USABLE ON CODE	
		1	2	3	4	5	6	7			
86 -12	S1362-23	HANDLE	ASSY-ASSIST	-----	-----	-----	-----	-----	2	B	
	S1362-25-1	HANDLE	ASSY-ASSIST	CLOUD GRAY	-----	-----	-----	-----	2	F	
	S1362-25-2	HANDLE	ASSY-ASSIST	BLACK	-----	-----	-----	-----	2	C	
	S1362-25-3	HANDLE	ASSY-ASSIST	OLIVE GREEN	-----	-----	-----	-----	2	T	
	S1362-25-4	HANDLE	ASSY-ASSIST	SUNSET RED	-----	-----	-----	-----	2	F	
	S1362-25-5	HANDLE	ASSY-ASSIST	COPEN BLUE	-----	-----	-----	-----	2	F	
	S1362-25-6	HANDLE	ASSY-ASSIST	CHESTNUT BROWN	-----	-----	-----	-----	2	C	
	S1362-25-7	HANDLE	ASSY-ASSIST	OLD GOLD	-----	-----	-----	-----	2	F	
	S1362-25-8	HANDLE	ASSY-ASSIST	ORO GREEN	-----	-----	-----	-----	1	M	
	S1362-25-9	HANDLE	ASSY-ASSIST	RUBY RED	-----	-----	-----	-----	1	M	
	S1362-25-10	HANDLE	ASSY-ASSIST	SAPPHIRE BLUE	-----	-----	-----	-----	1	M	
	S1362-25-11	HANDLE	ASSY-ASSIST	TOPAZ GOLD	-----	-----	-----	-----	1	M	
	S1362-25-1	HANDLE	ASSY-ASSIST	CLOUD GRAY	-----	-----	-----	-----	1	N	
	S1362-25-2	HANDLE	ASSY-ASSIST	EBONY BLACK	-----	-----	-----	-----	1	N	
	S1362-25-6	HANDLE	ASSY-ASSIST	CHESTNUT BROWN	-----	-----	-----	-----	1	N	
	S1362-25-8	HANDLE	ASSY-ASSIST	ORO GREEN	-----	-----	-----	-----	1	N	
	S1362-25-12	HANDLE	ASSY-ASSIST	HUNTER RED	-----	-----	-----	-----	1	N	
	S1362-25-13	HANDLE	ASSY-ASSIST	DUTCH BLUE	-----	-----	-----	-----	1	N	
	S1362-25-14	HANDLE	ASSY-ASSIST	COLONIAL GRAY	-----	-----	-----	-----	1	N	
	S1362-25-15	HANDLE	ASSY-ASSIST	MAIZE	-----	-----	-----	-----	1	N	
	S1362-25-1	HANDLE	ASSY-ASSIST	CLOUD GRAY	-----	-----	-----	-----	1	Q	
	S1362-25-2	HANDLE	ASSY-ASSIST	BLACK	-----	-----	-----	-----	1	Q	
	S1362-25-6	HANDLE	ASSY-ASSIST	CHESTNUT BROWN	-----	-----	-----	-----	1	Q	
	S1362-25-12	HANDLE	ASSY-ASSIST	HUNTER RED	-----	-----	-----	-----	1	Q	
	S1362-25-13	HANDLE	ASSY-ASSIST	DUTCH BLUE	-----	-----	-----	-----	1	Q	
	S1362-25-16	HANDLE	ASSY-ASSIST	RUST	-----	-----	-----	-----	1	Q	
	S1362-25-17	HANDLE	ASSY-ASSIST	BEIGE	-----	-----	-----	-----	1	Q	
	S1362-25-18	HANDLE	ASSY-ASSIST	GREEN	-----	-----	-----	-----	1	Q	
	<p>NOTE. #THIS PART MUST HAVE A SECOND DASH NUMBER ADDED TO DENOTE COLOR. REFER TO HOW TO ORDER UPHOLSTERED PARTS-PAGE XII.</p> <p>NOTE. &lt;THIS PART MUST HAVE A SECOND DASH NUMBER ADDED TO DENOTE COLOR. REFER TO HOW TO ORDER INTERIOR PARTS-PAGE XIII.</p> <p>A---182 SERIAL 18262466 THRU 18267715 F182 SERIAL F18200001 THRU F18200169</p> <p>B---182 SERIAL 18262976 THRU 18263475</p> <p>C---182 SERIAL 18263476 THRU 18265965 F182 SERIAL F18200001 THRU F18200064</p> <p>D---182 SERIAL 18262466 THRU 18263475</p> <p>E---182 SERIAL 18264296 THRU 18267715 F182 SERIAL F18200001 THRU F18200169</p> <p>F---182 SERIAL 18263476 THRU 18264295</p> <p>G---182 SERIAL 18264296 THRU 18265175</p> <p>H---182 SERIAL 18265176 THRU 18267715 F182 SERIAL F18200026 THRU F18200169</p> <p>J---182 SERIAL 18263476 THRU 18265175 F182 SERIAL F18200001 THRU F18200025</p> <p>K---182 SERIAL 18262466 THRU 18265965 F182 SERIAL F18200001 THRU F18200064</p> <p>L---182 SERIAL 18265966 THRU 18267715 F182 SERIAL F18200065 THRU F18200169</p> <p>M---182 SERIAL 18264296 THRU 18265965 F182 SERIAL F18200001 THRU F18200064</p> <p>N---182 SERIAL 18265966 THRU 18266590 F182 SERIAL F18200065 THRU F18200094</p> <p>P---182 SERIAL 18265176 THRU 18266590 F182 SERIAL F18200026 THRU F18200094</p> <p>Q---182 SERIAL 18266591 THRU 18267715 F182 SERIAL F18200095 THRU F18200169</p>										

# 182 & T182 Parts Catalog

Upholstery (Cont)



**182 & T182 SERIAL 18267716 & ON**

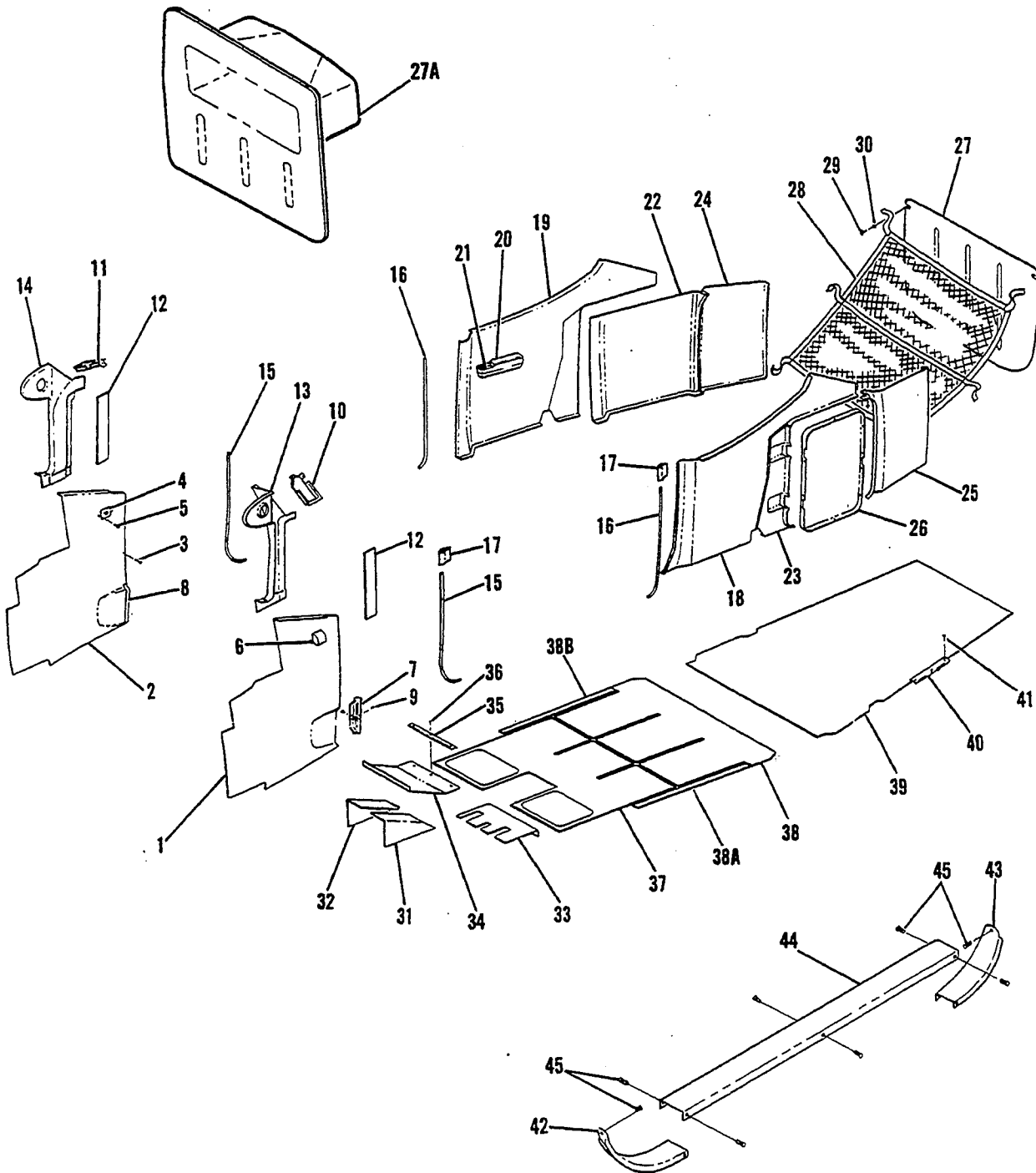
Figure 87. Cabin Door Upholstery Installation

# 182 & T182 Parts Catalog

FIGURE AND INDEX NO.	PART NUMBER		DESCRIPTION							UNITS PER ASSY	USABLE ON CODE
			1	2	3	4	5	6	7		
87 -			CABIN DOOR UPHOLSTERY INSTALLATION -----							NP	A
- 1	2215022-64	#	TRIM PANEL ASSY-UPPER LH DOOR -----							1	
	2215022-66	##	TRIM PANEL ASSY-UPPER RH DOOR -----							1	
	2215022-65	##	TRIM PANEL ASSY-UPPER RH DOOR      OPENABLE WINDOW -----							1	
- 2	2215022-5	##	TRIM PANEL ASSY-LWR LH DOOR -----							1	
	2215022-6	##	TRIM PANEL ASSY-LWR RH DOOR -----							1	
- 3	2215026-1		ARMREST SUPPORT ASSY-LH -----							1	
	2215026-2		ARMREST SUPPORT ASSY-RH -----							1	
			ATTACHING PARTS								
	AN525-8R8		SCREW -----							8	
			-----*								
- 4	2215029-1	#	ARMREST ASSY-LH -----							1	
	2215029-2	##	ARMREST ASSY-RH -----							1	
			ATTACHING PARTS								
	S1021Z4-6		SCREW -----							1	
			-----*								
- 5			HANDLE-CABIN DOOR      SEE CABIN DOOR ASSEMBLY -----							2	
- 6	0705042-1		ESCUTCHEON-LH CABIN DOOR HANDLE -----							1	
	0705042-2		ESCUTCHEON-RH CABIN DOOR HANDLE -----							1	
- 7	1715047-3		ESCUTCHEON-LH DOOR STOP -----							1	
	1715047-4		ESCUTCHEON-RH DOOR STOP -----							1	
			ATTACHING PARTS								
- 8	S1022A4-6		SCREW -----							4	
			-----*								
- 9	S2301-3-1		DOOR PULL -----							2	
			ATTACHING PARTS								
	AN507-1032R10		SCREW -----							2	
			-----*								
- 9A	3831291		RETAINER -----							2	
-10	0715032-19		MOLDING ASSY-LH -----							1	
	0715032-18		MOLDING ASSY-RH -----							1	
	0715069-1		MOLDING ASSY-RH      OPENABLE WINDOW -----							1	
	S1948-2-1		EXTRUSION      RH ONLY      NON OPENABLE WINDOW -----							AR	
<p>NOTE. #REFER TO HOW TO ORDER UPHOLSTERED PARTS-PAGE XII.</p> <p>A---182 &amp; T182 SERIAL 18267716 &amp; ON</p>											

# 182 & T182 Parts Catalog

## Upholstery (Cont)



**182 SERIAL 18262466 THRU 18267715**  
**F182 SERIAL F18200001 THRU F18200169**  
Figure 88. Cabin Side & Floorboard Upholstery Installation

# 182 & T182 Parts Catalog

FIGURE AND INDEX NO.	PART NUMBER		DESCRIPTION							UNITS PER ASSY	USABLE ON CODE
			1	2	3	4	5	6	7		
88 -			CABIN SIDE & FLOORBOARD UPHOLSTERY INSTALLATION -----							NP	A
- 1	0715036-1	#								1	B
	0715057-1	##								1	G
	0715073-1	###								1	H
	2215010-37	###								1	J
- 2	0715036-2	##								1	B
	0715057-2	###								1	G
	0715073-2	###								1	H
	2215010-38	#								1	J
			ATTACHING PARTS								
- 3	S102174-6									AR	
			SCREW -----								
			-----*								
- 4	S1762-1									2	
			ASH RECEIVER ASSY -----								
			ATTACHING PARTS								
- 5	S102174-8									2	
			SCREW -----								
- 6	NAS395-1-3									2	
			NUT -----								
			-----*								
- 7	1200231-1									1	L
	1200231-3									1	M
- 8	1200231-2									1	L
	1200231-4									1	M
			ATTACHING PARTS								
- 9	S102174-6									4	
			SCREW -----								
			-----*								
-10	0715024-1	<								1	
	0715024-2	<								1	
-11	1215109-8									2	
			PAD -----								
-12	0715044-1	<								1	D
	0715044-9	<								1	K
	0715044-11	<								1	J
-14	0715044-2	<								1	D
	0715044-8	<								1	K
	0715044-10	<								1	J
			ATTACHING PARTS								
	S1950-1E									AR	
			SCREW -----								
			-----*								
	0415023-4									2	E
-15	0700668-13									2	
	0700668-14									2	
-16	0700668-14									2	
	0715049-1	<								4	
-17	0715036-5	##								1	B
	0715057-21	##								1	G
	0715073-5	##								1	H
	2215010-39	##								1	N
	2215010-41	##								1	M
-19	0715036-6	##								1	B
	0715057-22	##								1	G
	0715073-6	##								1	H
	2215010-40	##								1	N
	2215010-42	#								1	M
			ATTACHING PARTS								
	S102174-6									AR	
			SCREW -----								
			-----*								
-20	0715039-4	#								1	L
	0715039-2	##								1	M
	0715039-3	##								1	L
	0715039-1	#								1	M
			ATTACHING PARTS								
	AN520-10R12									2	
			SCREW -----								
			-----*								
-21	S1957-2									2	
	0715052-2	<								1	L
-22	0715052-8	<								1	M
			ATTACHING PARTS								
	S102174-6									AR	
			SCREW -----								
			-----*								
-23	0715052-1	<								1	L
	0715052-6	<								1	M
			ATTACHING PARTS								
	S102174-6									AR	
			SCREW -----								
			-----*								

CONTINUED ON NEXT PAGE

# 182 & T182 Parts Catalog

FIGURE AND INDEX NO.	PART NUMBER		DESCRIPTION							UNITS PER ASSY	USABLE ON CODE
			1	2	3	4	5	6	7		
88 -24	0715023-16	<	PANEL ASSY-RH -----							1	
-25	0715023-3	<	PANEL ASSY-LH -----							1	
	S102174-6		ATTACHING PARTS								
			SCREW -----							AR	
			*-----								
-26	0700702-5	<	PANEL-BAGGAGE DOOR -----							1	L M
	0715081-1	<	PANEL-BAGGAGE DOOR -----							1	
	S102174-6		ATTACHING PARTS								
			SCREW -----							8	
			*-----								
-27	0715023-1	<	PANEL ASSY-AFT WALL -----							1	B C
-27A	0715053-3	<	PANEL ASSY-AFT WALL -----							1	
-28	1215171-1		BAGGAGE NET -----							1	
			ATTACHING PARTS								
-29	1211203-1		EYEBOLT -----							6	
-30	1200127-1		WASHER -----							6	
			*-----								
-31	0715043-7	#	CARPET ASSY-TUNNEL LH -----							1	
-32	0715043-8	#	CARPET ASSY-TUNNEL RH -----							1	
	S2092-1		FASTENER-HOOK -----							AR	
	S2092-2		FASTENER-PILE -----							AR	
-33	0715043-6	#	CARPET ASSY-RUDDER PEDAL SHIELD LH -----							1	
	S2092-1		FASTENER-HOOK -----							AR	
	S2092-2		FASTENER-PILE -----							AR	
	0713703-1		SHIELD-RUDDER PEDAL LH -----							1	
			ATTACHING PARTS								
	S102178-8		SCREW -----							8	
			*-----								
-34	0715043-5	#	CARPET ASSY-RUDDER BAR SHIELD RH -----							1	
	0715043-9	#	CARPET ASSY-RUDDER PEDAL SHIELD DUAL CONTROL ONLY -----							1	
	S2092-1		FASTENER-HOOK -----							AR	
	S2092-2		FASTENER-PILE -----							AR	
	0713703-1		SHIELD-RUDDER BAR RH -----							1	
	0713715-2		SHIELD-RUDDER PEDAL DUAL CONTROL ONLY -----							1	
			ATTACHING PARTS								
	S102178-8		SCREW -----							6	
	AN515-8R6		SCREW -----							1	
	NAS62D-8		WASHER -----							1	
	NAS1022A08		NUT -----							1	
			*-----								
-35	0713703-2	<	RETAINER-CARPET -----							1	
			ATTACHING PARTS								
-36	S102378-8B		SCREW -----							3	
			*-----								
-37	0715043-1	#	CARPET ASSY-FWD -----							1	B C C C
-38	0715043-3	#	CARPET ASSY-CENTER -----							1	
	0715043-10	#	CARPET ASSY-CENTER -----							1	
-38A	0715043-11	#	CARPET ASSY-LH -----							1	
-38B	0715043-12	#	CARPET ASSY-RH -----							1	
-39	0715043-4	#	CARPET ASSY-AFT -----							1	
-40	0311623-3	#	SCUFF PLATE-BAGGAGE DOOR -----							1	
			ATTACHING PARTS								
-41	S102174-4		SCREW -----							3	
			*-----								
-42	0711804-1		SCUFF PLATE-DOOR SILL FWD LH -----							1	F F F F F F F F F F
	0711804-2		SCUFF PLATE-DOOR SILL FWD RH -----							1	
	1211527-11		SCUFF PLATE-DOOR SILL FWD LH -----							1	
	1211527-12		SCUFF PLATE-DOOR SILL FWD RH -----							1	
-43	0711804-3		SCUFF PLATE-DOOR SILL AFT LH -----							1	
	0711804-4		SCUFF PLATE-DOOR SILL AFT RH -----							1	
	1211527-13		SCUFF PLATE-DOOR SILL AFT LH -----							1	
	1211527-14		SCUFF PLATE-DOOR SILL AFT RH -----							1	
-44	0711804-5		SCUFF PLATE-DOOR SILL CENTER -----							2	
	1211527-6		SCUFF PLATE-DOOR SILL CENTER -----							2	
			ATTACHING PARTS								
-45	S102176-8		SCREW -----							8	F E E
	S102174-8C		SCREW -----							9	
	S102176-8		SCREW -----							3	
			*-----								

CONTINUED ON NEXT PAGE



# 182 & T182 Parts Catalog

FIGURE AND INDEX NO.	PART NUMBER	DESCRIPTION	UNITS PER ASSY	USABLE ON CODE
		1 2 3 4 5 6 7		
88 -		<p>NOTE. &lt; THIS PART MUST HAVE A SECOND DASH NUMBER ADDED TO DENOTE COLOR. REFER TO HOW TO ORDER INTERIOR PARTS-PAGE XIII.</p> <p>NOTE. # THIS PART MUST HAVE A SECOND DASH NUMBER ADDED TO DENOTE COLOR. REFER TO HOW TO ORDER UPHOLSTERED PARTS-PAGE XII.</p> <p>A---182 SERIAL 18262466 THRU 18267715  F182 SERIAL F18200001 THRU F18200169</p> <p>B---182 SERIAL 18262466 THRU 18263475</p> <p>C---182 SERIAL 18263476 THRU 18267715  F182 SERIAL F18200001 THRU F18200169</p> <p>D---182 SERIAL 18262446 THRU 18264295</p> <p>E---182 SERIAL 18264161 THRU 18267715</p> <p>F---182 SERIAL 18263476 THRU 18264160</p> <p>G---182 SERIAL 18263476 THRU 18265175  F182 SERIAL F18200001 THRU F18200025</p> <p>H---182 SERIAL 18265176 THRU 18266590  F182 SERIAL F18200026 THRU F18200094</p> <p>J---182 SERIAL 18266591 THRU 18267715  F182 SERIAL F18200095 THRU F18200169</p> <p>K---182 SERIAL 18264296 THRU 18266590  F182 SERIAL F18200001 THRU F18200094</p> <p>L---182 SERIAL 18262466 THRU 18267300  F182 SERIAL F18200001 THRU F18200129</p> <p>M---182 SERIAL 18267301 THRU 18267715  F182 SERIAL F8200130 THRU F18200169</p> <p>N---182 SERIAL 18266591 THRU 18267300  F182 SERIAL F18200095 THRU F18200129</p>		

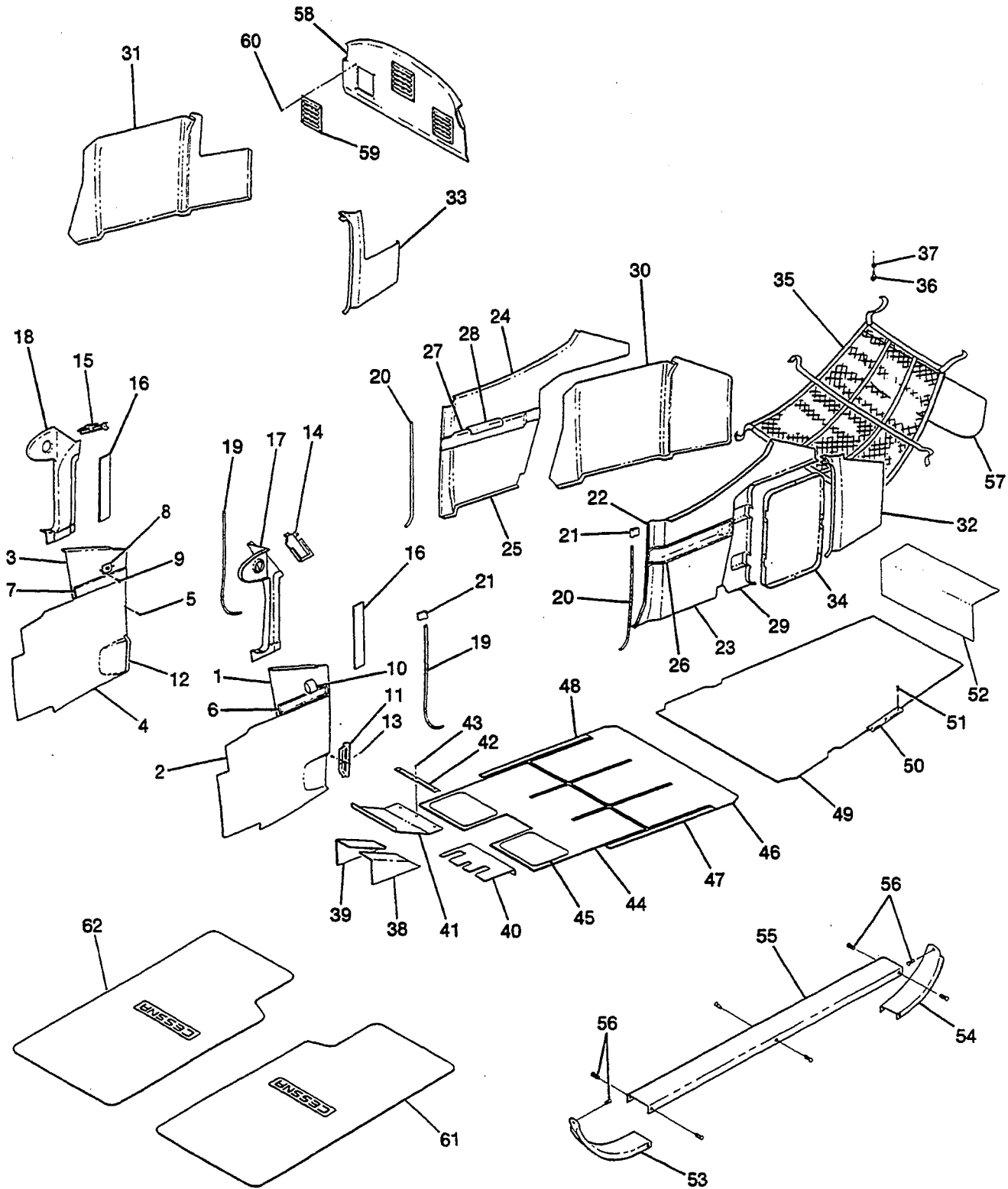
# 182 & T182 Parts Catalog

FIGURE AND INDEX NO.	PART NUMBER		DESCRIPTION							UNITS PER ASSY	USABLE ON CODE
			1	2	3	4	5	6	7		
89 -			UPHOLSTERY INSTALLATION-CABIN SIDE & FLOORBOARD -----							NP	A
- 1	2215022-63	#	TRIM PANEL ASSY-FWD LH UPPER 182 -----							1	J
	2215022-3	#	TRIM PANEL ASSY-FWD LH UPPER T182 -----							1	
	2215022-67	#	TRIM PANEL ASSY-FWD LH UPPER T182 -----							1	K
- 2	2215022-61	#	TRIM PANEL ASSY-FWD LH LOWER 182 -----							1	
	2215022-1	#	TRIM PANEL ASSY-FWD LH LOWER T182 -----							1	
- 3	2215022-4	#	TRIM PANEL ASSY-FWD RH UPPER -----							1	
- 4	2215022-2	#	TRIM PANEL ASSY-FWD RH LOWER -----							1	
			ATTACHING PARTS								
- 5	S102124-6		SCREW -----							AR	
			-----*								
- 6	2215028-14		SUPPORT-ARMREST LH 182 -----							1	
	2215028-3		SUPPORT-ARMREST LH T182 -----							1	
- 7	2215028-4		SUPPORT-ARMREST RH -----							1	
			ATTACHING PARTS								
	AN525-832R8		SCREW -----							2	
			-----*								
- 8	S1762-1		ASH RECEIVER ASSY -----							2	
			ATTACHING PARTS								
- 9	S102124-8		SCREW -----							2	
-10	NAS395-1-3		NUT -----							2	
			-----*								
-11	1200231-3		RETAINER-LH -----							1	
-12	1200231-4		RETAINER-RH -----							1	
			ATTACHING PARTS								
-13	S102124-6		SCREW -----							4	
			-----*								
-14	0715024-1-532		COVER-LH -----							1	D
-15	0715024-2-532		COVER-RH -----							1	
-16	0513425-8		PAD -----							2	E
-17	0715044-11		MOLDING-LH -----							1	
	0715044-21		MOLDING-LH -----							1	
-18	0715044-10		MOLDING-RH -----							1	
	0715044-22		MOLDING-RH -----							1	
			ATTACHING PARTS								
	S1950-1E		SCREW -----							AR	
			-----*								
	0415023-4		ESCUTCHEON ASSY-FORWARD DOOR POST MOLDING -----							2	
-19	0700668-13		WINDLACE-FWD -----							2	
-20	0700668-14		WINDLACE-AFT -----							2	
-21	0715049-1		SPLICE 2 FWD & 2 AFT -----							4	
-22	2215022-11	#	TRIM PANEL ASSY-LH UPPER -----							1	
-23	2215022-9	#	TRIM PANEL ASSY-RH UPPER -----							1	
-24	2215022-12	#	TRIM PANEL ASSY-RH UPPER -----							1	
-25	2215022-10	#	TRIM PANEL ASSY-RH LOWER -----							1	
			ATTACHING PARTS								
	S102124-6		SCREW -----							AR	
			-----*								
-26	2215027-1		SUPPORT ASSY-ARMREST LH -----							1	
-27	2215027-2		SUPPORT ASSY-ARMREST RH -----							1	
			ATTACHING PARTS								
	AN525-832R8		SCREW -----							3	
			-----*								
-28	2215029-3		ARMREST ASSY -----							2	
-29	0715052-6-532		PANEL-TRIM -----							1	
-30	0715087-1		PANEL ASSY-RH -----							1	
-31	0715087-2		PANEL ASSY-RH USED WITH AIR CONDITIONING -----							1	
-32	0715088-1		PANEL ASSY-LH -----							1	
-33	0715088-2		PANEL ASSY-LH USED WITH AIRCONDITIONING -----							1	
			ATTACHING PARTS								
	S102124-6		SCREW -----							AR	
			-----*								
	S2092-3		FASTENER-HOOK -----							AR	
-34	0715081-1		PANEL-BAGGAGE DOOR -----							1	
			ATTACHING PARTS								
	S102124-6		SCREW -----							8	
			-----*								
-35	1215171-1		BAGGAGE NUT -----							1	
			ATTACHING PARTS								
-36	1211203-1		EYEBOLT -----							10	
-37	1200127-1		WASHER -----							10	
			-----*								
-38	0715043-7	#	CARPET ASSY-TUNNEL LH -----							1	

CONTINUED ON NEXT PAGE

# 182 & T182 Parts Catalog

## Upholstery (Cont)



**182 & T182 SERIAL 18267716 & ON**

Figure 89. Cabin Side & Floorboard Upholstery Installation

# 182 & T182 Parts Catalog

FIGURE AND INDEX NO.	PART NUMBER		DESCRIPTION							UNITS PER ASSY	USABLE ON CODE
			1	2	3	4	5	6	7		
89 -39	0715043-8	#	CARPET ASSY-TUNNER RH -----							1	
	S2092-1		FASTENER-HOOK -----							AR	
	S2092-2		FASTENER-PILE -----							AR	
-40	0715043-6	#	CARPET ASSY-RUDDER PEDAL SHIELD LH -----							1	
	S2092-1		FASTENER-HOOK -----							AR	
	S2092-2		FASTENER-PILE -----							AR	
	0713715-1		SHIELD-RUDDER PEDAL LH -----							1	
	S1021Z8-8		ATTACHING PARTS -----								
			SCREW -----							8	
			*-----								
-41	0715043-5	#	CARPET ASSY-RUDDER BAR SHIELD RH -----							1	L
	0715043-9	#	CARPET ASSY-RUDDER PEDAL SHIELD DUAL CONTROL ONLY -----							1	
	S2092-1		FASTENER-HOOK -----							AR	
	S2092-2		FASTENER-PILE -----							AR	
	0713703-1		SHIELD-RUDDER BAR RH -----							1	L
	0713715-2		SHIELD-RUDDER PEDAL DUAL CONTROL ONLY -----							1	
	S1021Z8-8		ATTACHING PARTS -----								
			SCREW -----							6	L
	AN515-8R6		SCREW -----							1	
	NAS620-8		WASHER -----							1	
	NAS1022A08		NUT -----							1	
			*-----								
-42	0713703-2		RETAINER-CARPET -----							1	L
			ATTACHING PARTS -----								
-43	S1023Z8-8B		SCREW -----							3	L
			*-----								
-44	0715043-2	#	CARPET-FWD -----							1	
-45	0500265-2		SCUFF PLATE -----							2	B
	0415026-4		SCUFF PLATE -----							2	C
	S1021A4-8		ATTACHING PARTS -----								
	S2016-3		SCREW -----							4	B
	S1450-24A10-025		RIVET -----							12	C
			WASHER -----							12	C
			*-----								
-46	0715043-10	#	CARPET ASSY-CENTER -----							1	
-47	0715043-11	#	CARPET ASSY-LH -----							1	
-48	0715043-12	#	CARPET ASSY-RH -----							1	
-49	0715043-4	#	CARPET ASSY-AFT -----							1	
-50	0311623-3		SCUFF PLATE-BAGGAGE DOOR -----							1	
			ATTACHING PARTS -----								
-51	S1021Z4-4		SCREW -----							3	
			*-----								
-52	0715043-13	#	CARPET ASSY-BAGGAGE COMPARTMENT -----							1	
-53	1211527-11		SCUFF PLATE-DOOR SILL FWD LH -----							1	
	1211527-12		SCUFF PLATE-DOOR SILL FWD RH -----							1	
-54	1211527-13		SCUFF PLATE-DOOR SILL AFT LH -----							1	
	1211527-14		SCUFF PLATE-DOOR SILL AFT RH -----							1	
-55	1211527-6		SCUFF PLATE-DOOR SILL CENTER -----							2	
			ATTACHING PARTS -----								
-56	S1021Z4-8		SCREW -----							9	
	S1021Z6-8		SCREW -----							3	
			*-----								
-57	0715089-1		PANEL-AFT BAGGAGE WALL -----							1	
-58	2215037-8		PANEL ASSY-AIR CONDITIONER COVER WEU 2215037-12 -----							1	F
	2215037-12		PANEL ASSY-AIR CONDITIONER COVER -----							1	G
	S1950-4E		ATTACHING PARTS -----								
			SCREW -----							AR	
			*-----								
-59	2215037-6-532		GRILL -----							3	F
	2215037-16-532		GRILL ASSY -----							3	G
			ATTACHING PARTS -----								
-60	S1950-2E		SCREW -----							4	F
	NAS395-2-3		NUT -----							4	F
	S2092-3		FASTENER-FABRIC -----							4	G
	S2092-4		*-----								
			PILE-FABRIC -----							4	G

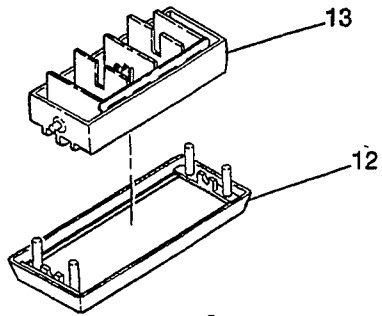
CONTINUED ON NEXT PAGE

# 182 & T182 Parts Catalog

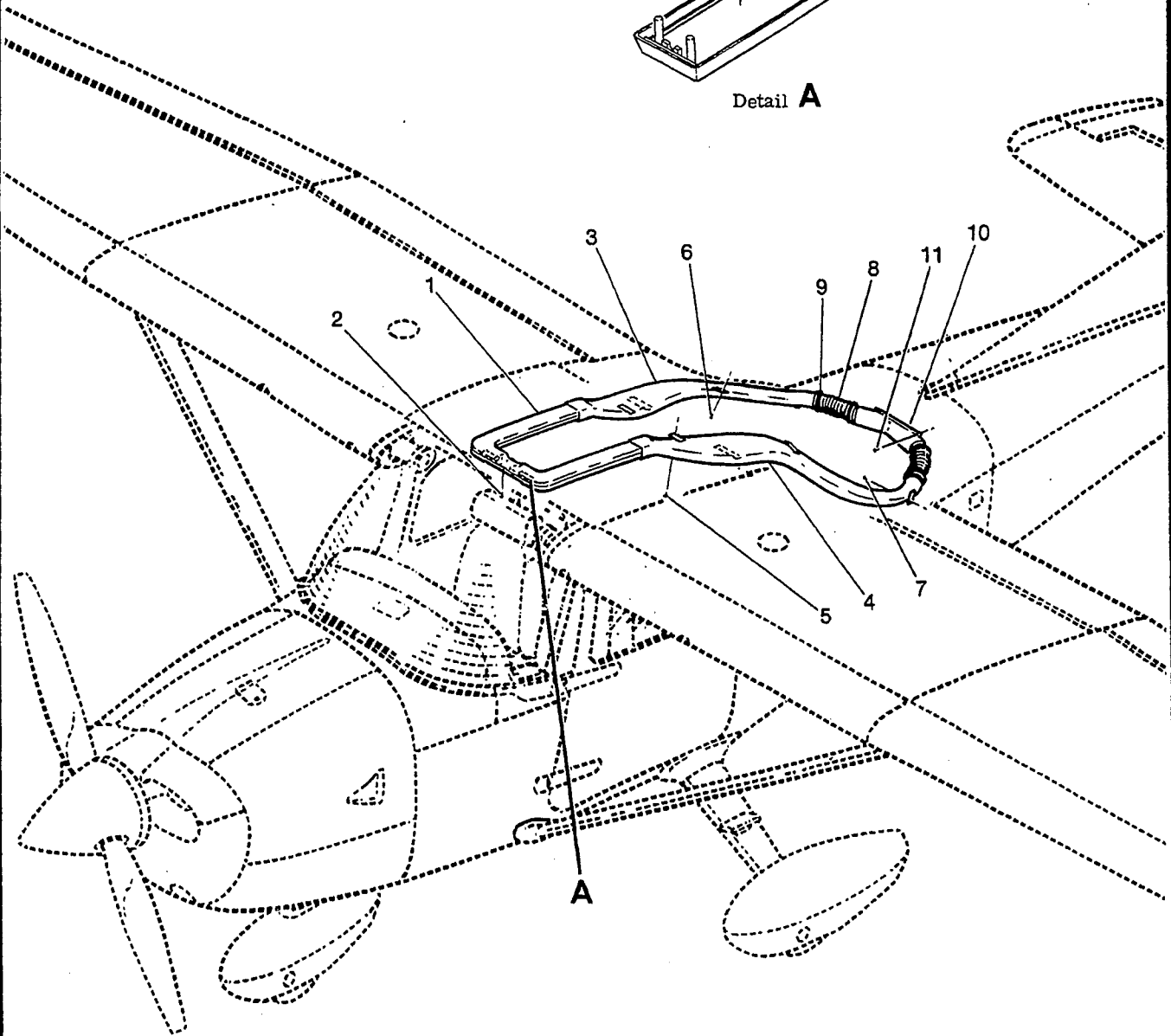
FIGURE AND INDEX NO.	PART NUMBER		1	2	3	4	5	6	7	DESCRIPTION	UNITS PER ASSY	USABLE ON CODE
89 -61 -62	0501120-7 0501120-8	% %								FLOORMAT ASSY LH ----- FLOORMAT ASSY RH -----	1 1	H H
<p>NOTE. # THIS NUMBER MUST HAVE A SECOND DASH NUMBER ADDED TO DENOTE COLOR. REFER TO HOW TO ORDER UPHOLSTERED PARTS-PAGE XII</p> <p>NOTE. % ORDER IN PAIRS ONLY &amp; STATE COLOR.</p> <p>A---182 &amp; T182 SERIAL 18267716 &amp; ON            B---182 &amp; T182 SERIAL 18267716 THRU 18268005            C---182 &amp; T182 SERIAL 18268006 &amp; ON            D---182 &amp; T182 SERIAL 18267716 THRU 18268055            E---182 &amp; T182 SERIAL 18268056 &amp; ON            F---T182 SERIAL 18267716 THRU 18268055            G---T182 SERIAL 18268056 THRU 18268293            H---182 &amp; T182 SERIAL 18268294 &amp; ON            J---T182 SERIAL 18267716 THRU 18268293            K---T182 SERIAL 18268294 &amp; ON            L---182 &amp; T182 SERIAL 18267716 THRU 18268434</p>												

# 182 & T182 Parts Catalog

Upholstery (Cont)



Detail A



**T182 SERIAL 18267716 THRU 18268293**

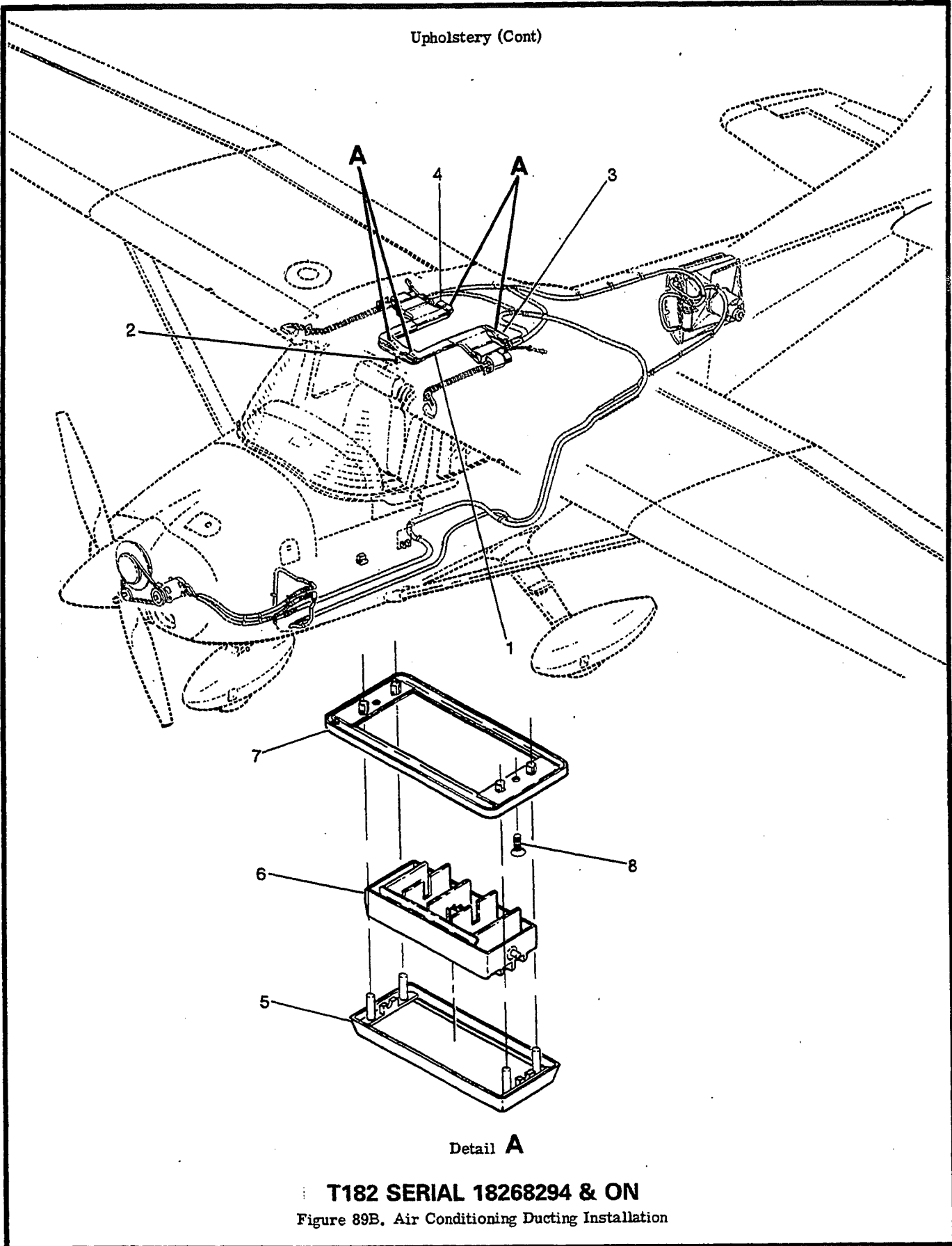
Figure 89A. Air Conditioning Ducting Installation

# 182 & T182 Parts Catalog

FIGURE AND INDEX NO.	PART NUMBER	DESCRIPTION							UNITS PER ASSY	USABLE ON CODE
		1	2	3	4	5	6	7		
89A-		AIR CONDITIONING DUCTING INSTALLATION -----							NP	A
- 1	2215004-1	DUCT ASSY-FWD -----							1	
		ATTACHING PARTS -----								
- 2	S1021Z8-8	SCREW -----							1	
		*-----								
- 3	2215004-2	DUCT ASSY-RH -----							1	
- 4	2215004-3	DUCT ASSY-LH -----							1	
		ATTACHING PARTS -----								
- 5	NAS525-10R8	SCREW -----							1	
- 6	S1021A6-8	SCREW -----							1	
- 7	S1021Z8-8	SCREW -----							1	
	NAS446-4-3	NUT -----							1	
		*-----								
- 8	S1053E24T	*	DUCT BKI REF S1053E24T** -----					2		
		ATTACHING PARTS -----								
- 9	S1742-1	STA-STRAP -----							2	
		*-----								
-10	2215004-12	DUCT ASSY-AFT -----							1	
		ATTACHING PARTS -----								
-11	S1021Z6-8	SCREW -----							2	
	NAS446-2-3	NUT -----							2	
		*-----								
-12	1546	BEZEL -----							4	
-13	100-2M	LOUVER -----							4	
<p>NOTE. * LENGTH TO BE DETERMINED LATER</p> <p>A---T182 SERIAL 18267716 THRU 18268293</p>										

# 182 & T182 Parts Catalog

Upholstery (Cont)



Detail A

T182 SERIAL 18268294 & ON  
Figure 89B. Air Conditioning Ducting Installation

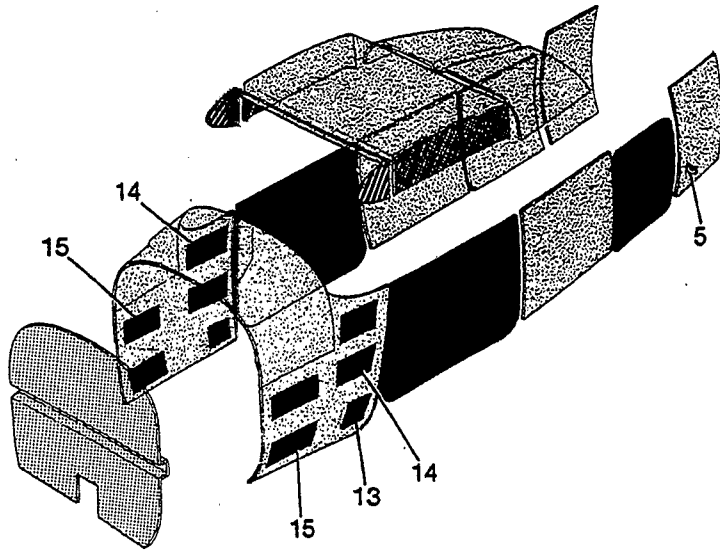


# 182 & T182 Parts Catalog

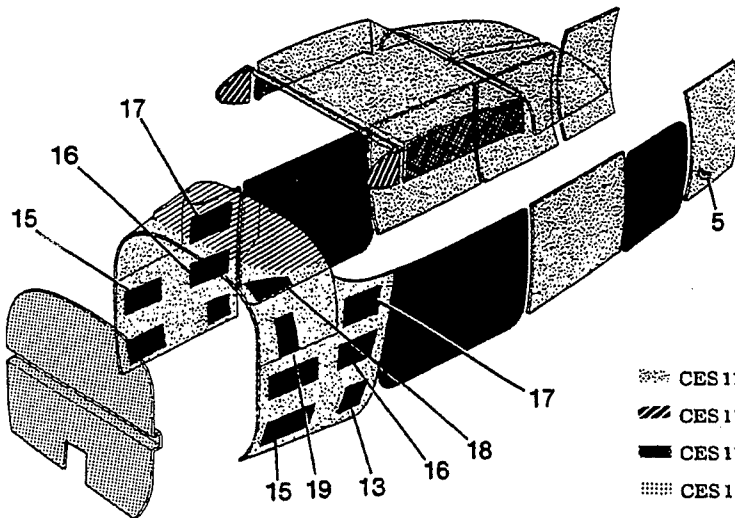
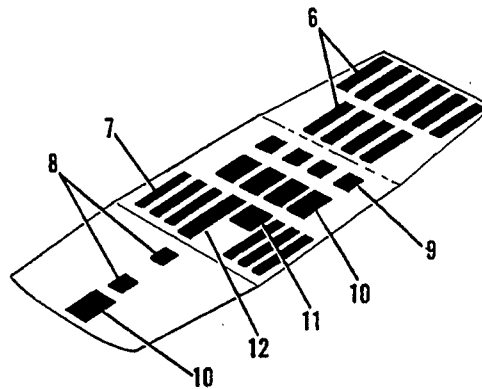
FIGURE AND INDEX NO.	PART NUMBER	DESCRIPTION	UNITS PER ASSY	USABLE ON CODE
		1 2 3 4 5 6 7		
89B-		AIR CONDITIONING DUCTING INSTALLATION -----	NP	A
- 1	2215004-16	DUCT ASSY-FWD -----	1	
		ATTACHING PARTS -----		
- 2	S1021Z8-8	SCREW -----	1	
		*-----		
- 3	0501111-1	DUCT ASSY-AFT LH -----	1	
- 4	0501111-2	DUCT ASSY-AFT RH -----	1	
		ATTACHING PARTS -----		
	0511087-1	BRACKET ASSY -----	1	
	NAS395-3-3	NUTPLATE -----	1	
	S1021Z6-6	SCREW -----	1	
		*-----		
- 5	154G	BEZEL -----	4	
- 6	100-2M	LOUVER-AIR VENT -----	4	
- 7	0501117-1	COVER ASSY-AIR VENT -----	4	
		ATTACHING PARTS -----		
- 8	S1021Z6-6	SCREW -----	2	
		*-----		
		A---T182 SERIAL 18268294 & ON		

# 182 & T182 Parts Catalog

## Soundproofing



**18262466 THRU 18263475**



**18263476 & ON  
F18200001 THRU F18200169**

- ☞ CES 1109 CLASS 1A Soundproofing - Fiberglass (See Parts Listing)
- ▨ CES 1109 CLASS 1B Soundproofing - Fiberglass (See Parts Listing)
- CES 1109 CLASS 1C Soundproofing - Fiberglass (See Parts Listing)
- ▤ CES 1109 CLASS 1G Soundproofing - Fiberglass (See Parts Listing)
- ▩ CES 1109 CLASS 1H Soundproofing - Fiberglass (See Parts Listing)
- CES 1109 CLASS IV Dampening Compound (See Parts Listing)
- ▨ Soundproofing - Embossed Soundfoam (See Parts Listings)

**182 SERIAL 18262466 & ON  
F182 SERIAL F18200001 THRU F18200169**

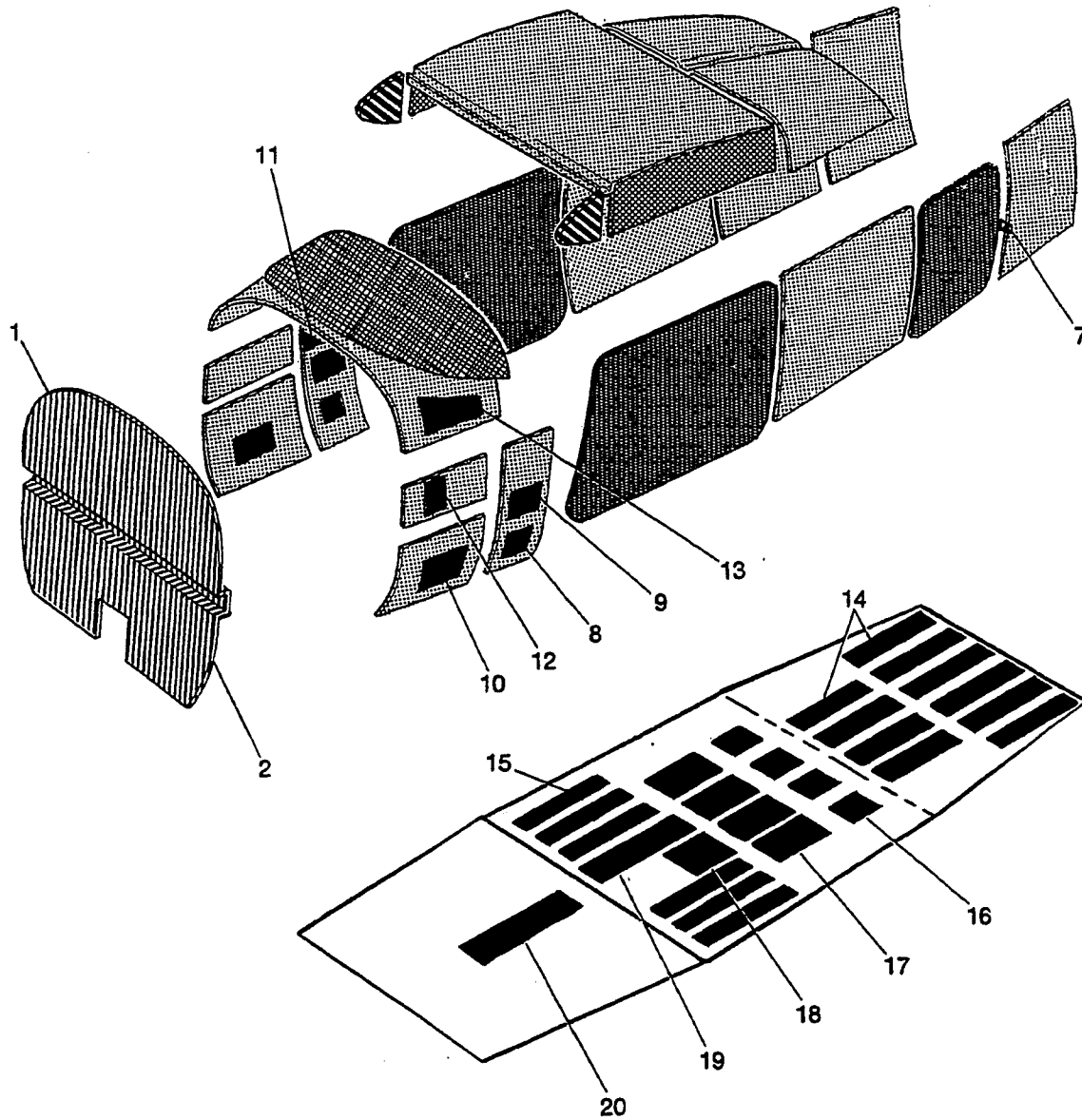
Figure 90. Fuselage Soundproofing Installation

# 182 & T182 Parts Catalog

FIGURE AND INDEX NO.	PART NUMBER	DESCRIPTION	UNITS PER ASSY	USABLE ON CODE
		1 2 3 4 5 6 7		
90 -		SOUNDPROOFING INSTALLATION-FUSELAGE -----	NP	A
- 1		DELETED NEVER USED -----		
- 2		DELETED NEVER USED -----		
- 3		DELETED NEVER USED -----		
- 4		DELETED NEVER USED -----		
- 5	0700762-9	SEAL-BAGGAGE DOOR -----	1	
- 6	0700762-22	PANEL-SOUNDPROOFING -----	10	
- 7	0700762-23	PANEL-SOUNDPROOFING -----	6	
- 8	1200217-4	PANEL-SOUNDPROOFING -----	2	
- 9	1200217-5	PANEL-SOUNDPROOFING -----	4	
-10	1200217-26	PANEL-SOUNDPROOFING -----	5	
-11	1700127-1	PANEL-SOUNDPROOFING -----	1	
-12	1700127-4	PANEL-SOUNDPROOFING -----	1	
-13	1700127-7	PANEL-SOUNDPROOFING -----	2	
-14	1200217-8	PANEL-SOUNDPROOFING -----	4	
-15	1200193-11	PANEL-SOUNDPROOFING -----	4	B
-16	1200217-8	PANEL-SOUNDPROOFING -----	2	C
-17	1700127-22	PANEL-SOUNDPROOFING -----	2	C
-18	1700127-23	PANEL-SOUNDPROOFING LH ONLY -----	1	C
-19	1700127-24	PANEL-SOUNDPROOFING LH ONLY -----	1	C
	0700762-32	SOUNDPROOFING-EMBOSSED SOUND FOAM 3/4 IN. THICK -----	1	
	CES1109CLASS1A *	SOUNDPROOFING-FIBERGLASS MAT 1 IN. THICK BKI -----	AR	
	CES1109CLASS1B *	SOUNDPROOFING-FIBERGLASS MAT 1 IN. THICK -----	AR	
	CES1109CLASS1C *	SOUNDPROOFING-FIBERGLASS MAT 1/2 IN. THICK -----	AR	
	CES1109CLASS1G *	SOUNDPROOFING-FIBERGLASS MAT 1 IN. THICK BKI -----	AR	
	CES1109CLASS1H *	SOUNDPROOFING-FIBERGLASS MAT 1 IN. THICK BKI -----	AR	
	CES1109CLASS4 *	SOUNDPROOFING-POLYMERIC SHEET .035 IN. THICK BKI -----	AR	
NOTE. * GIVE DIMENSIONS WHEN ORDERING				
A---182 SERIAL 18262466 & ON F182 SERIAL F18200001 THRU F18200169				
B---182 SERIAL 18262466 THRU 18263475				
C---182 SERIAL 18262476 & ON F182 SERIAL F18200001 THRU F18200169				

# 182 & T182 Parts Catalog

## Soundproofing (Cont)



- ▤ CES 1109 CLASS 1A Soundproofing - Fiberglass (See Parts Listing)
- ▥ CES 1109 CLASS 1B Soundproofing - Fiberglass (See Parts Listing)
- ▧ CES 1109 CLASS 1C Soundproofing - Fiberglass (See Parts Listing)
- ▨ CES 1109 CLASS 1G Soundproofing - Fiberglass (See Parts Listing)
- ▩ CES 1109 CLASS 1H Soundproofing - Fiberglass (See Parts Listing)
- CES 1109 CLASS IV Polymeric Sheet (See Parts Listings)
- Embossed Soundfoam (See Parts Listings)

### T182 SERIAL 18267716 & ON

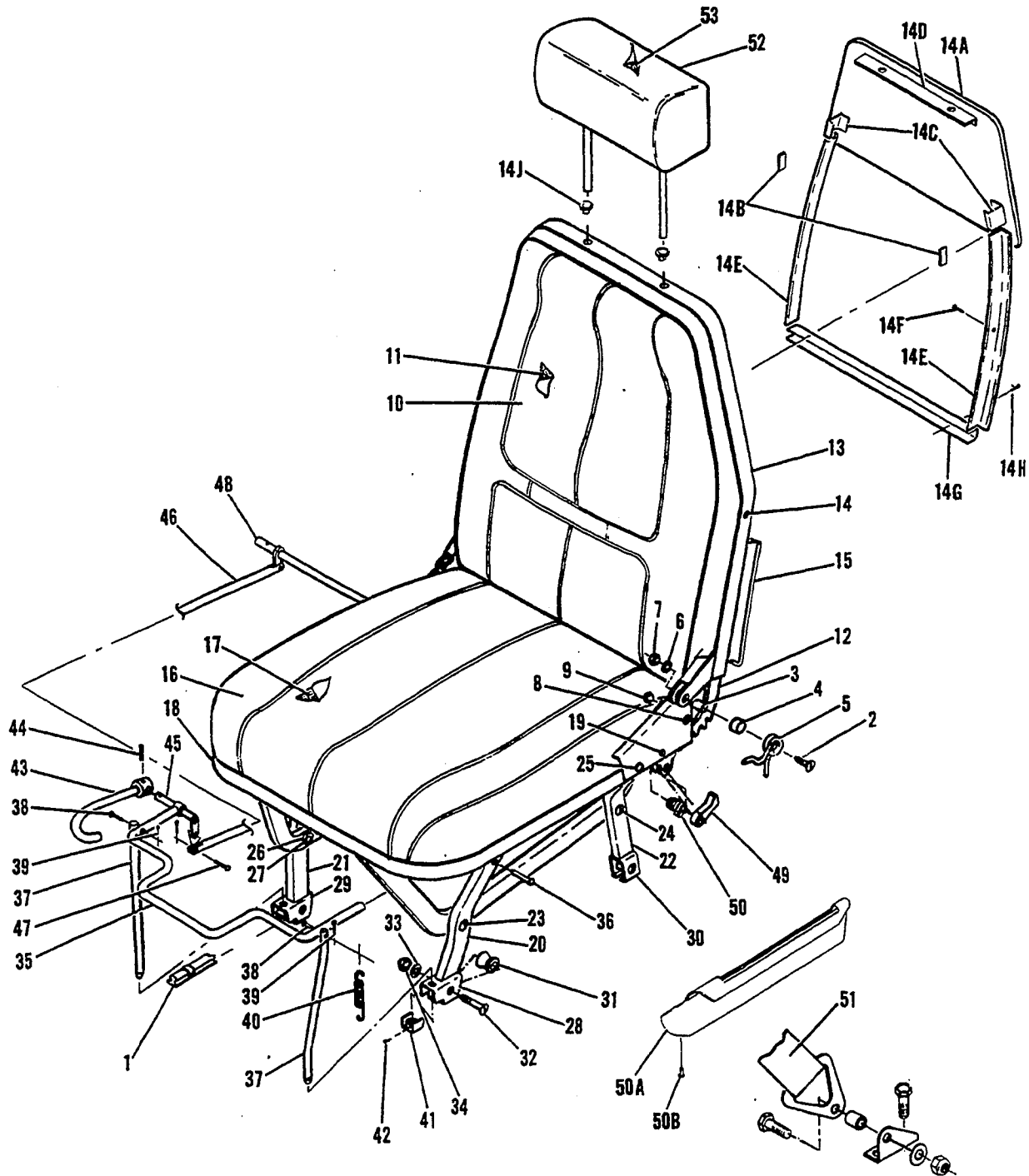
Figure 90A. Cabin Soundproofing Installation

# 182 & T182 Parts Catalog

FIGURE AND INDEX NO.	PART NUMBER	DESCRIPTION							UNITS PER ASSY	USABLE ON CODE
		1	2	3	4	5	6	7		
90A-		SOUNDPROOFING INSTALLATION-FUSELAGE -----							NP	A
- 1	2215001-5	SOUNDPROOFING ASSY-UPPER FIREWALL -----							1	
- 2	2215001-2	SOUNDPROOFING ASSY-LWR FIREWALL -----							1	
- 3		DELETED NEVER USED -----								
- 4		DELETED NEVER USED -----								
- 5		DELETED NEVER USED -----								
- 6		DELETED NEVER USED -----								
- 7	0700762-9	SEAL-BAGGAGE DOOR -----							1	
- 8	1700127-7	PANEL-SOUNDPROOFING -----							2	
- 9	1200217-8	PANEL-SOUNDPROOFING -----							2	
-10	1200193-11	PANEL-SOUNDPROOFING -----							2	
-11	1700127-22	PANEL-SOUNDPROOFING -----							1	
-12	1700127-23	PANEL-SOUNDPROOFING -----							1	
-13	1700127-24	PANEL-SOUNDPROOFING -----							1	
-14	0700762-22	PANEL-SOUNDPROOFING -----							10	
-15	0700762-23	PANEL-SOUNDPROOFING -----							6	
-16	1200217-5	PANEL-SOUNDPROOFING -----							4	
-17	1200217-26	PANEL-SOUNDPROOFING -----							5	
-18	1700127-1	PANEL-SOUNDPROOFING -----							1	
-19	1700127-4	PANEL-SOUNDPROOFING -----							1	
-20	1700127-28	PANEL-SOUNDPROOFING -----							1	
	0700762-32 *	SOUNDPROOFING-EMBOSSSED SOUND FOAM 3/4 IN. THICK -----							1	
	CES1109CLASS1A *	SOUNDPROOFING-FIBERGLASS MAT 1 IN. THICK BKI -----							AR	
	CES1109CLASS1B *	SOUNDPROOFING-FIBERGLASS MAT 1 IN. THICK -----							AR	
	CES1109CLASS1C *	SOUNDPROOFING-FIBERGLASS MAT 1/2 IN. THICK BKI -----							AR	
	CES1109CLASS1G *	SOUNDPROOFING-FIBERGLASS MAT 1 IN. THICK BKI -----							AR	
	CES1109CLASS1H *	SOUNDPROOFING-FIBERGLASS MAT 1 IN. THICK BKI -----							AR	
	CES1109CLASS4 *	SOUNDPROOFING-POLYMERIC SHEET .035 IN. THICK BKI -----							AR	
NOTE. * GIVE DIMENSIONS WHEN ORDERING.										
A---T182 SERIAL 18267716 & ON										

# 182 & T182 Parts Catalog

Front Seat (Cont)



**SEAT BELT**

**182 SERIAL 18262466 THRU 18267300  
F182 SERIAL F18200001 THRU F18200129**

Figure 91. Pilot & Co-Pilot Seat Installation - Standard

# 182 & T182 Parts Catalog

FIGURE AND INDEX NO.	PART NUMBER		DESCRIPTION							UNITS PER ASSY	USABLE ON CODE
			1	2	3	4	5	6	7		
91 -			PILOT & CO-PILOT SEAT INSTL STANDARD -----							NP	A
	0714012-1	#	SEAT ASSEMBLY-PILOT & CO-PILOT -----							1	B
	0714019-1	##	SEAT ASSEMBLY-PILOT & CO-PILOT -----							1	D
	0714019-10	###	SEAT ASSEMBLY-PILOT & CO-PILOT -----							1	G
	0714019-21	###	SEAT ASSEMBLY-PILOT & CO-PILOT -----							1	H
	0714048-1	###	SEAT ASSEMBLY-PILOT & CO-PILOT -----							1	J
	0714052-1	#	SEAT ASSEMBLY-PILOT & CO-PILOT -----							1	M
			ATTACHING PARTS								
- 1	0713074-1		STOP-SEAT -----							2	
	MS20392-1C21		PIN-CLEVIS -----							2	
	MS24665-151		PIN-COTTER -----							2	
			-----*								
	0714012-201	#	BACK ASSEMBLY-UPHOLSTERED SEAT -----							1	B
	0714019-3	##	BACK ASSEMBLY-UPHOLSTERED SEAT -----							1	D
	0714019-12	###	BACK ASSEMBLY-UPHOLSTERED SEAT -----							1	G
	0714019-23	###	BACK ASSEMBLY-UPHOLSTERED SEAT -----							1	H
	0714048-3	###	BACK ASSEMBLY-UPHOLSTERED SEAT -----							1	J
	0714052-3	#	BACK ASSEMBLY-UPHOLSTERED SEAT -----							1	M
			ATTACHING PARTS								
- 2	AN23-19A		BOLT -----							2	L
	AN23-16A		BOLT -----							2	N
- 3	1414104-4		BUSHING -----							2	
- 4	0711668-1		BUSHING -----							2	
- 5	0711667-1		SPRING -----							2	
- 6	AN960-10L		WASHER -----							2	
- 7	S1914-8		NUT EN -----							2	
- 8	AN507-832R14		SCREW -----							2	
- 9	MS21044N08		NUT -----							2	
			-----*								
-10	0714012-5	#	COVER ASSEMBLY-SEAT BACK -----							1	B
	0714019-7	##	COVER ASSEMBLY-SEAT BACK -----							1	D
	0714019-16	###	COVER ASSEMBLY-SEAT BACK -----							1	G
	0714019-25	###	COVER ASSEMBLY-SEAT BACK -----							1	H
	0714048-5	###	COVER ASSEMBLY-SEAT BACK -----							1	J
	0714052-5	#	COVER ASSEMBLY-SEAT BACK -----							1	M
-11	0714012-8		CUSHION ASSY-SEAT BACK -----							1	B
	0714019-5		CUSHION ASSY-SEAT BACK -----							1	D
	0714019-14		CUSHION ASSY-SEAT BACK -----							1	K
	0714048-7		CUSHION ASSY-SEAT BACK -----							1	J
	0714052-7		CUSHION ASSY-SEAT BACK -----							1	M
-12	1414230-1		CAM-SEAT BACK RECLINE -----							1	
-13	0514076-1	<	TRIM ASSY-SEAT BACK -----							1	B
			ATTACHING PARTS								
-14	S1021A4-6		SCREW -----							5	B
			-----*								
-14A	0514100-1		FORMER ASSY -----							1	C
			ATTACHING PARTS								
-14B	0514099-3		CLIP -----							2	C
			-----*								
-14C	0514099-1		BRACKET -----							2	C
-14D	0514099-2		BRACKET -----							1	C
-14E	0514102-7		RETAINER -----							2	C
			ATTACHING PARTS								
-14F	S1021A4-6		SCREW -----							2	C
			-----*								
-14G	0514112-2	<	TRIM -----							1	C
			ATTACHING PARTS								
-14H	S1021A4-6		SCREW -----							3	C
			-----*								
-14J	0514110-1		GROMMET -----							2	C
-15	1214062-5	#	POCKET ASSY-MAGAZINE -----							1	
			ATTACHING PARTS								
	S1021A4-6		SCREW -----							2	
			-----*								
	0714012-200	#	BOTTOM ASSEMBLY-UPHOLSTERED SEAT -----							1	B
	0714019-2	##	BOTTOM ASSEMBLY-UPHOLSTERED SEAT -----							1	D
	0714019-11	###	BOTTOM ASSEMBLY-UPHOLSTERED SEAT -----							1	G
	0714019-22	###	BOTTOM ASSEMBLY-UPHOLSTERED SEAT -----							1	H
	0714048-2	###	BOTTOM ASSEMBLY-UPHOLSTERED SEAT -----							1	J
	0714052-2	#	BOTTOM ASSEMBLY-UPHOLSTERED SEAT -----							1	M

CONTINUED ON NEXT PAGE

# 182 & T182 Parts Catalog

FIGURE AND INDEX NO.	PART NUMBER		DESCRIPTION							UNITS PER ASSY	USABLE ON CODE
			1	2	3	4	5	6	7		
91 -16	0714012-4	#	COVER ASSY-SEAT BOTTOM	-----	-----	-----	-----	-----	-----	1	B D G H J M
	0714019-6	##	COVER ASSY-SEAT BOTTOM	-----	-----	-----	-----	-----	-----	1	
	0714019-15	###	COVER ASSY-SEAT BOTTOM	-----	-----	-----	-----	-----	-----	1	
	0714019-24	####	COVER ASSY-SEAT BOTTOM	-----	-----	-----	-----	-----	-----	1	
	0714048-4	###	COVER ASSY-SEAT BOTTOM	-----	-----	-----	-----	-----	-----	1	
	0714052-4	##	COVER ASSY-SEAT BOTTOM	-----	-----	-----	-----	-----	-----	1	
-17	0514075-2	#	CUSHION ASSY-SEAT BOTTOM	-----	-----	-----	-----	-----	-----	1	B D G H J M
	0714019-4		CUSHION ASSY-SEAT BOTTOM	-----	-----	-----	-----	-----	-----	1	
	0714019-13		CUSHION ASSY-SEAT BOTTOM	-----	-----	-----	-----	-----	-----	1	
	0714019-26		CUSHION ASSY-SEAT BOTTOM	-----	-----	-----	-----	-----	-----	1	
	0714048-6		CUSHION ASSY-SEAT BOTTOM	-----	-----	-----	-----	-----	-----	1	
	0714052-6		CUSHION ASSY-SEAT BOTTOM	-----	-----	-----	-----	-----	-----	1	
-18	0514058-1	<	RETAINER-SEAT BOTTOM	-----	-----	-----	-----	-----	-----	1	B
	S1021A4-6		ATTACHING PARTS	-----	-----	-----	-----	-----	-----		
			SCREW	-----	-----	-----	-----	-----	-----	5	B
			---*---	-----	-----	-----	-----	-----	-----		
-19	AN23-15A		BOLT	-----	-----	-----	-----	-----	-----	2	
	MS20364-1032		NUT	-----	-----	-----	-----	-----	-----	2	
-20	1414103-2		LEG ASSY-FWD LH	-----	-----	-----	-----	-----	-----	1	
-21	1414103-45		LEG ASSY-FWD RH	-----	-----	-----	-----	-----	-----	1	
-22	1414103-6		LEG-AFT SEAT	-----	-----	-----	-----	-----	-----	2	
			ATTACHING PARTS	-----	-----	-----	-----	-----	-----		
-23	AN24-13A		BOLT-FORWARD LEG	-----	-----	-----	-----	-----	-----	2	
-24	AN24-13A		BOLT-AFT LEG LOWER	-----	-----	-----	-----	-----	-----	1	
-25	AN24-16A		BOLT-AFT LEG UPPER	-----	-----	-----	-----	-----	-----	1	
-26	AN936A416		WASHER UNDER BOLT HEAD	-----	-----	-----	-----	-----	-----	2	
	AN936A616		WASHER UNDER NUT	-----	-----	-----	-----	-----	-----	2	
-27	1414112-1		NUT	-----	-----	-----	-----	-----	-----	2	
			---*---	-----	-----	-----	-----	-----	-----		
-28	1414104-39		HOUSING-SEAT ROLLER FWD LH	-----	-----	-----	-----	-----	-----	1	
-29	1414104-61		HOUSING-SEAT ROLLER FWD RH	-----	-----	-----	-----	-----	-----	1	
-30	1414104-41		HOUSING-SEAT ROLLER AFT LH	-----	-----	-----	-----	-----	-----	1	
	1414104-42		HOUSING-SEAT ROLLER AFT RH	-----	-----	-----	-----	-----	-----	1	
-31	1414100-212		KIT-SEAT ROLLER	-----	-----	-----	-----	-----	-----	4	
			ATTACHING PARTS	-----	-----	-----	-----	-----	-----		
-32	AN23-19A		BOLT	-----	-----	-----	-----	-----	-----	1	
-33	AN960-10L		WASHER	-----	-----	-----	-----	-----	-----	1	
-34	S1914-8		NUT	-----	-----	-----	-----	-----	-----	1	
			---*---	-----	-----	-----	-----	-----	-----		
-35	0514052-1		HANDLE ASSY-SEAT ADJUST	-----	-----	-----	-----	-----	-----	1	
			ATTACHING PARTS	-----	-----	-----	-----	-----	-----		
-36	MS20392-2C43		PIN	-----	-----	-----	-----	-----	-----	1	
	MS24665-132		PIN-COTTER	-----	-----	-----	-----	-----	-----	1	
			---*---	-----	-----	-----	-----	-----	-----		
-37	0514066-1		PIN-SEAT ADJUST	-----	-----	-----	-----	-----	-----	2	
			ATTACHING PARTS	-----	-----	-----	-----	-----	-----		
-38	MS20392-1C23		PIN	-----	-----	-----	-----	-----	-----	1	
-39	MS24665-132		PIN-COTTER	-----	-----	-----	-----	-----	-----	1	
			---*---	-----	-----	-----	-----	-----	-----		
-40	1414116-1		SPRING-SEAT ADJUST	-----	-----	-----	-----	-----	-----	1	
-41	1414104-8		BRACKET	-----	-----	-----	-----	-----	-----	2	
-42	NAS561-2-12		ROLL PIN	-----	-----	-----	-----	-----	-----	2	
-43	1200504-3		HANDLE ASSY-RECLINING ADJUSTMENT	-----	-----	-----	-----	-----	-----	1	
			ATTACHING PARTS	-----	-----	-----	-----	-----	-----		
-44	NAS561-3-8		ROLL PIN	-----	-----	-----	-----	-----	-----	1	
			---*---	-----	-----	-----	-----	-----	-----		
-45	1200503-1		ARM ASSY-SEAT BACK ADJUST	-----	-----	-----	-----	-----	-----	1	
-46	1514223-28		LINK-SEAT BACK ADJUST	-----	-----	-----	-----	-----	-----	1	
			ATTACHING PARTS	-----	-----	-----	-----	-----	-----		
-47	MS20392-1C9		PIN	-----	-----	-----	-----	-----	-----	2	
	MS24665-132		PIN-COTTER	-----	-----	-----	-----	-----	-----	2	
			---*---	-----	-----	-----	-----	-----	-----		
-48	1414223-34		TUBE ASSY-TORQUE	-----	-----	-----	-----	-----	-----	1	
-49	0514043-2		PAWL-SEAT BACK ADJUST	-----	-----	-----	REPLACE IN PAIRS ONLY	-----	-----	2	
			ATTACHING PARTS	-----	-----	-----	-----	-----	-----		
	NAS561C3-10		ROLL PIN	-----	-----	-----	-----	-----	-----	1	
			---*---	-----	-----	-----	-----	-----	-----		
-50	1414107-1		SPRING	-----	-----	-----	-----	-----	-----	1	

CONTINUED ON NEXT PAGE



# 182 & T182 Parts Catalog

FIGURE AND INDEX NO.	PART NUMBER	DESCRIPTION							UNITS PER ASSY	USABLE ON CODE
		1	2	3	4	5	6	7		
91 -50A  -50B  -51 -52 -53	1714101-15	TRIM ASSY-SEAT SKIRT LH -----							1	E
	1714101-16	TRIM ASSY-SEAT SKIRT RH -----							1	E
	S1021A4-6	ATTACHING PARTS								
		SCREW -----							6	E
	SEE FIG 117	SEAT BELT & SHOULDER HARNESS INSTL -----							2	
1215073-1	HEADREST ASSY -----							2		
1215073-10	COVER-HEADREST -----							1		
<p>NOTE. # THIS PART MUST HAVE A SECOND DASH NUMBER ADDED TO DENOTE COLOR. REFER TO HOW TO ORDER UPHOLSTERED PARTS-PAGE X11.</p> <p>NOTE. &lt; THIS PART MUST HAVE A SECOND DASH NUMBER ADDED TO DENOTE COLOR. REFER TO HOW TO ORDER INTERIOR PARTS-PAGE X111.</p> <p>A---182 SERIAL 18262466 THRU 18267300 F182 SERIAL F18200001 THRU F18200129</p> <p>B---182 SERIAL 18262466 THRU 18263475</p> <p>C---182 SERIAL 18263476 THRU 18267300</p> <p>D---182 SERIAL 18263476 THRU 18264295</p> <p>E---182 SERIAL 18264296 THRU 18267300 F182 SERIAL F18200001 THRU F18200129</p> <p>G---182 SERIAL 18264296 THRU 18265175 F182 SERIAL F18200001 THRU F18200025</p> <p>H---182 SERIAL 18265176 THRU 18265965 F182 SERIAL F18200026 THRU F18200064</p> <p>J---182 SERIAL 18265966 THRU 18266590 F182 SERIAL F18200065 THRU F18200094</p> <p>K---182 SERIAL 18264296 THRU 18265965 F182 SERIAL F18200001 THRU F18200064</p> <p>L---182 SERIAL 18262466 THRU 18265965 F182 SERIAL F18200001 THRU F18200064</p> <p>M---182 SERIAL 18266591 THRU 18267300 F182 SERIAL F18200095 THRU F18200129</p> <p>N---182 SERIAL 18265966 THRU 18267300 F182 SERIAL F18200065 THRU F18200129</p>										

# 182 & T182 Parts Catalog

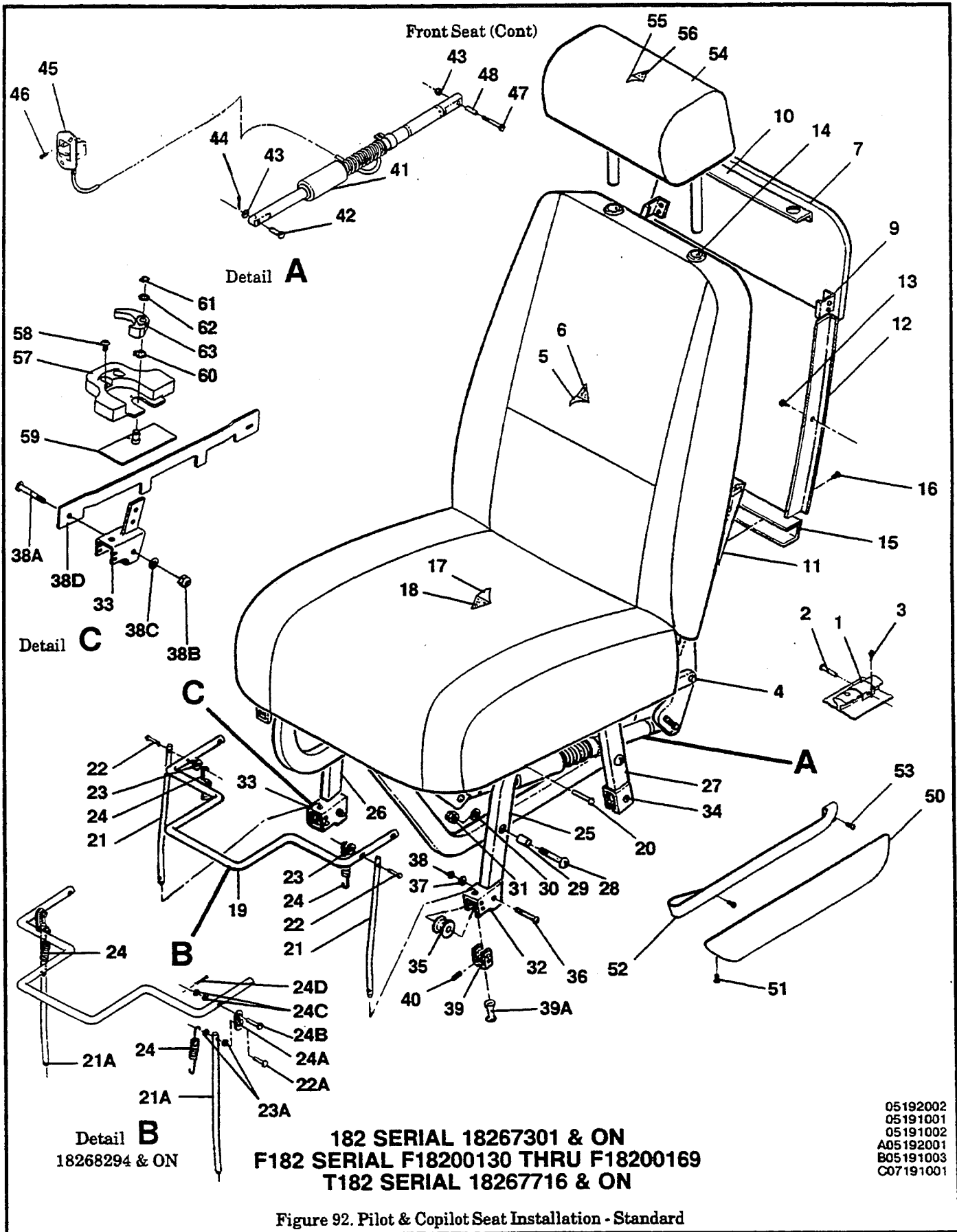


Figure 92. Pilot & Copilot Seat Installation - Standard

# 182 & T182 Parts Catalog

FIGURE AND INDEX NO.	PART NUMBER	DESCRIPTION							UNITS PER ASSY	USABLE ON CODE
		1	2	3	4	5	6	7		
92 -		PILOT & COPILOT SEAT INSTALLATION STANDARD -----							NP	A
	0714042-1 #	SEAT ASSY-PILOT & COPILOT -----							1	B
	0714058-1 ##	SEAT ASSY-COPILOT -----							1	C
	0714058-12 #	SEAT ASSY-PILOT -----							1	C
		ATTACHING PARTS								
- 1	0713074-1	STOP-SEAT -----							2	
- 2	MS24665-151	PIN-CLEVIS -----							2	
- 3	MS20392-1C21	PIN-COTTER -----							2	
		-----*								
	0714042-3 #	BACK ASSY-UPHOLSTERED SEAT -----							1	B
	0714058-3 #	BACK ASSY-UPHOLSTERED SEAT -----							1	C
		ATTACHING PARTS								
- 4	AN3-10A	BOLT -----							2	
	S2559-4-1-065	SPACER -----							2	
	AN960-10L	WASHER -----							AR	
	MS21044N3	NUT -----							2	
		-----*								
- 5	0714042-5 #	COVER ASSY-SEAT BACK -----							1	B
	0714058-5 #	COVER ASSY-SEAT BACK -----							1	C
- 6	0714042-7 #	CUSHION ASSY-SEAT BACK -----							1	B
	0714058-7	CUSHION ASSY-UPPER SEAT BACK -----							1	C
	0714058-10	CUSHION ASSY-LWR SEAT BACK -----							1	C
- 7	0514100-1	FORMER ASSY -----							1	
- 8		DELETED NEVER USED								
- 9	0514099-1	BRACKET-SEAT BACK -----							2	
-10	0514099-2	BRACKET-SEAT BACK -----							1	
-11	1214062-5 #	POCKET ASSY-MAGAZINE -----							1	
-12	0514102-7 #	RETAINER -----							2	
		ATTACHING PARTS								
-13	S1021A4-6	SCREW -----							2	
		-----*								
-14	0514110-1	GROMMET -----							2	
-15	0514112-4 <	TRIM-SEAT BACK -----							1	B
	0514112-4-532	TRIM-SEAT BACK -----							1	F
	0514112-4-279	TRIM-SEAT BACK -----							1	G
		ATTACHING PARTS								
-16	S1021Z4-6	SCREW -----							3	
		-----*								
	0714042-2 #	BOTTOM ASSY-UPHOLSTERED SEAT -----							1	B
	0714058-2 #	BOTTOM ASSY-UPHOLSTERED SEAT-COPILOT -----							1	C
	0714058-13 ##	BOTTOM ASSY-UPHOLSTERED SEAT-PILOT -----							1	C
-17	0714042-4 #	COVER ASSY-SEAT BOTTOM -----							1	B
	0714058-4 #	COVER ASSY-SEAT BOTTOM -----							1	C
-18	0714042-6 #	CUSHION ASSY-SEAT BOTTOM -----							1	B
	0714058-6 #	CUSHION ASSY-SEAT BOTTOM -----							1	C
-19	0514147-1	HANDLE-SEAT ADJUST -----							1	
		ATTACHING PARTS								
-20	MS20392-2C45	PIN -----							2	
	AN960C10L	WASHER -----							2	
	MS2665-132	PIN-COTTER -----							2	
		-----*								
-21	0514180-1	PIN-SEAT ADJUST LH -----							2	D
	0514180-2	PIN-SEAT ADJUST RH -----							2	D
-21A	0714063-1	PIN-SEAT ADJUST LH -----							2	E
	0714063-3	PIN-SEAT ADJUST RH -----							2	E
		ATTACHING PARTS								
-22	MS20392-1C21	PIN -----							2	D
-22A	MS20392-1C13	PIN -----							2	E
-23	AN960-C4L	WASHER -----							2	D
-23A	AN960-4	WASHER -----							2	E
		-----*								
-24	1414116-4	SPRING -----							2	D
	1414116-1	SPRING -----							2	E
-24A	0714061-1	LINK-SEAT LOCK -----							2	E
		ATTACHING PARTS								
-24B	MS20392-1C17	PIN -----							1	E
-24C	AN960-4	WASHER -----							2	E
-24D	MS24665-132	COTTER PIN -----							1	E
		-----*								
-25	0514161-1	LEG ASSY-FWD LH -----							1	

CONTINUED ON NEXT PAGE

# 182 & T182 Parts Catalog

FIGURE AND INDEX NO.	PART NUMBER	DESCRIPTION							UNITS PER ASSY	USABLE ON CODE
		1	2	3	4	5	6	7		
92 -26	1414103-62								1	
-27	0514161-2								1	
	1414103-64								1	
-28	AN24-21A								2	
-29	NAS43DD4-32A								2	
-30	AN960-416								2	
-31	MS21044N4								2	
-32	1414104-67								1	D
	1414104-71								1	E
	1414104-36								AR	
-33	1414104-65								1	D
	1414104-72								1	E
	1414104-66								AR	
-34	1414104-68								2	
	1414104-44								AR	
-35	1414100-212								4	
-36	AN23-19A								1	
-37	AN960-10L								1	
-38	S1914-8								1	
-38A	AN23-21A								2	C
-38B	MS21044N3								2	C
-38C	AN960-10L								2	C
-38D	0513560-11								1	C
-39	1414104-8								2	D
	2514044-2								2	E
-39A	1414104-73								2	F
-40	NAS561P3-7								2	F
-41	C165031-0102								1	D
-42	MS20392-3C29								1	
-43	AN960-10L								1	
-44	MS24665-229								1	
-45	MC100-24								1	
-46	S1022A4-8B								2	
-47	AN3-12A								1	
-48	S2559-4-1-0850								1	
-49	MS21044N3								1	
-50	1714101-15								1	
	1714101-16								1	
-51	S1021Z4-6								3	
-52	0514131-7								1	
	0514131-8								1	
-53	S1021Z4-6								2	
-54	1215073-1	#							2	
-55	1215073-10	#							1	
-56	1215073-5								1	

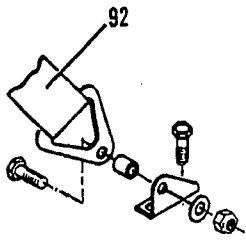
CONTINUED ON NEXT PAGE

# 182 & T182 Parts Catalog

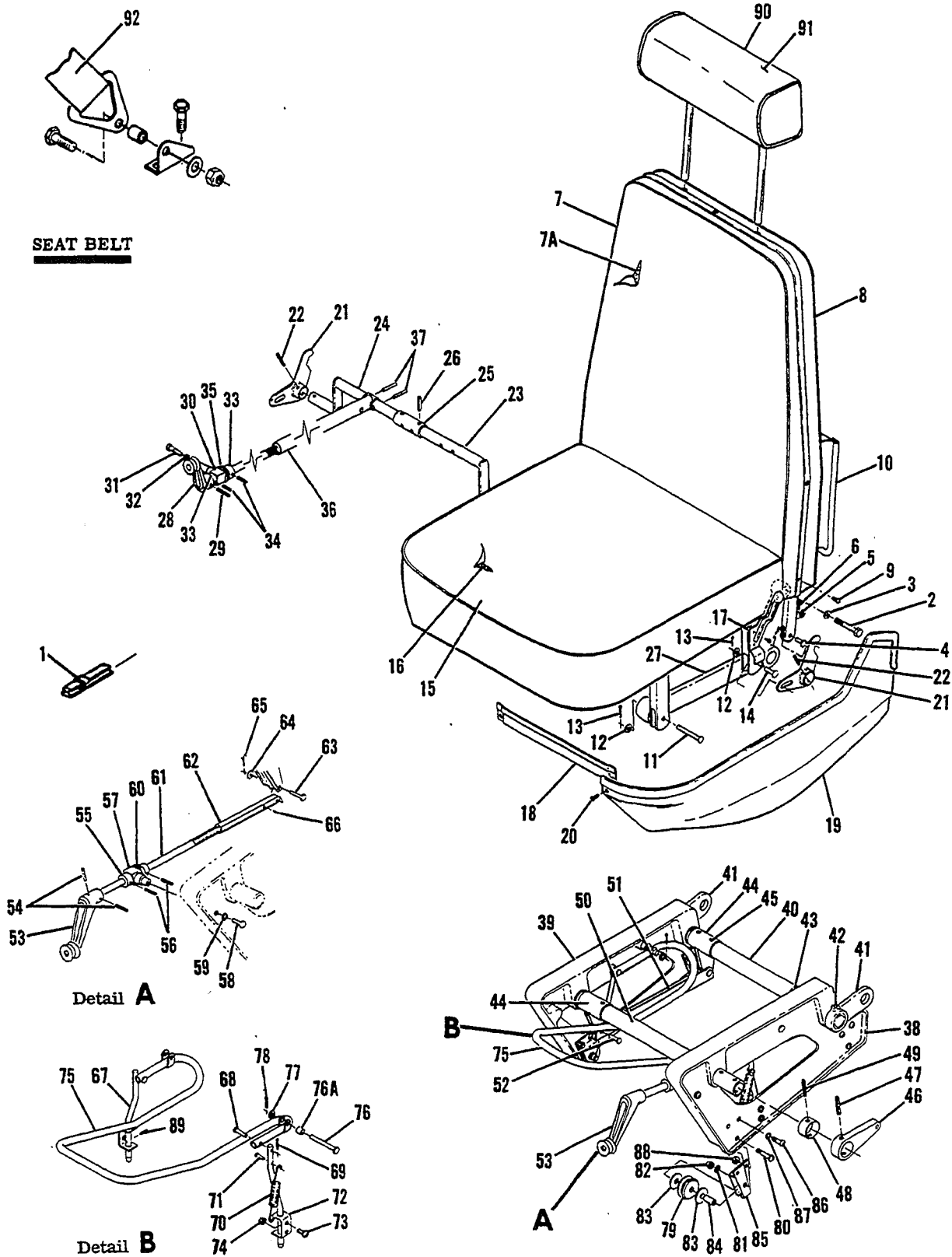
FIGURE AND INDEX NO.	PART NUMBER	DESCRIPTION	UNITS PER ASSY	USABLE ON CODE
92 -57	0513561-3	RETAINER-LH ----- ATTACHING PARTS	1	C
-58	S1021Z6-6B	SCREW ----- -----*	2	C
-59	0513558-9	STOP ASSEMBLY-SECONDARY SEAT PILOT -----	1	C
-60	0513559-1	SPRING -----	1	C
-61	MS16624-4025	RING -----	1	C
-62	S1450-4S7-016	WASHER -----	1	C
-63	0513558-10	LEVER -----	1	C
	SEE FIG 117	SEAT BELT & SHOULDER HARNESS INSTL -----	AR	
<p>NOTE. # THIS PART MUST HAVE A SECOND DASH NUMBER ADDED TO DENOTE COLOR. REFER TO HOW TO ORDER UPHOLSTERED PARTS-PAGE XII.</p> <p>NOTE. &lt; THIS PART MUST HAVE A SECOND DASH NUMBER ADDED TO DENOTE COLOR. REFER TO HOW TO ORDER INTERIOR PARTS-PAGE XIII.</p> <p>A---182 SERIAL 18267301 &amp; ON F182 SERIAL F18200130 THRU F18200169 T182 SERIAL 18267716 &amp; ON</p> <p>B---182 SERIAL 18267301 THRU 18268055 T182 SERIAL 18267716 THRU 18268055</p> <p>C---182 &amp; T182 SERIAL 18268056 &amp; ON</p> <p>D---182 SERIAL 18267301 THRU 18268293 T182 SERIAL 18267716 THRU 18268293</p> <p>E---182 SERIAL 18268294 &amp; ON</p> <p>F---182 &amp; T182 SERIAL 18268056 THRU 18268383</p> <p>G---182 &amp; T182 SERIAL 18268384 &amp; ON</p>				

# 182 & T182 Parts Catalog

## Front Seat (Cont)



### SEAT BELT



182 SERIAL 18262466 THRU 18263475

Figure 93. Infinite Adjust Front Seat Installation

# 182 & T182 Parts Catalog

FIGURE AND INDEX NO.	PART NUMBER		DESCRIPTION							UNITS PER ASSY	USABLE ON CODE
			1	2	3	4	5	6	7		
93 -			FRONT SEAT INSTALLATION-INFINITE ADJUST -----							NP	A
	0714014-2 #		FRONT SEAT ASSY-INFINITE ADJUST COPILOT -----							1	
	0714014-1 #		FRONT SEAT ASSY-INFINITE ADJUST PILOT -----							1	
			ATTACHING PARTS -----								
- 1	0713074-1		STOP-SEAT -----							1	
	MS20392-1C21		PIN -----							1	
	MS24665-151		PIN-COTTER -----							1	
			*-----								
			BACK ASSY-UPHOLSTERED SEAT -----							NP	
			ATTACHING PARTS -----								
- 2	AN3-17A		BOLT -----							2	
- 3	AN960-10L		WASHER -----							4	
	S2559-4-1-1530		SPACER -----							2	
	MS21044N3		NUT -----							2	
- 4	MS20392-2C11		PIN -----							2	
- 5	AN960-10L		WASHER -----							2	
- 6	MS24665-132		COTTER PIN -----							2	
			*-----								
- 7	0714014-4 #		COVER ASSY-SEAT BACK -----							1	
- 7A	2014008-5		CUSHION ASSY-SEAT BACK -----							1	
- 8	0514083-1 <		TRIM ASSY-SEAT BACK -----							1	
			ATTACHING PARTS -----								
- 9	S1021A4-6		SCREW -----							5	
			*-----								
-10	1214062-5 #		POCKET ASSY-MAGAZINE -----							1	
			BOTTOM ASSY-UPHOLSTERED SEAT -----							NP	
			ATTACHING PARTS -----								
-11	MS20392-3C49		PIN -----							2	
-12	AN960-416L		WASHER -----							4	
-13	MS24665-134		PIN-COTTER -----							4	
-14	MS20392-3C17		PIN -----							2	
			*-----								
-15	0714014-3 #		COVER ASSY-SEAT BOTTOM -----							1	
-16	0714014-5		CUSHION ASSY-SEAT BOTTOM -----							1	
-17	0514101-1		STIFFENER-LH -----							1	
	0514101-2		STIFFENER-RH -----							1	
			ATTACHING PARTS -----								
	S1021A4-6		SCREW -----							2	
			*-----								
-18	0514017-3 <		TRIM-SEAT BOTTOM FWD -----							1	
-19	0714010-1 <		TRIM-SEAT BOTTOM LH -----							1	
	0714010-2 <		TRIM-SEAT BOTTOM RH -----							1	
			ATTACHING PARTS -----								
-20	S1021A4-6		SCREW -----							6	
			*-----								
-21	0514030-4		BELLCRANK ASSY-SEAT BACK ADJUST -----							2	
			ATTACHING PARTS -----								
-22	NAS561P4-12		PIN -----							2	
			*-----								
-23	1714074-13		CRANK-WELD ASSY-LH -----							1	
-24	1714074-14		CRANK-WELD ASSY-RH -----							1	
-25	1714074-6		SPLICE -----							1	
			ATTACHING PARTS -----								
-26	NAS561P6-12		PIN -----							4	
			*-----								
-27	0514060-5		BRACKET-SEAT PIVOT -----							2	
-28	0514036-1		HANDLE ASSY-SEAT BACK ADJUST -----							1	
			ATTACHING PARTS -----								
-29	NAS561P4-12		PIN -----							1	
			*-----								
-30	0514033-1		BEARING BLOCK -----							1	
			ATTACHING PARTS -----								
-31	AN520-10R8		SCREW -----							1	
-32	AN960-10L		WASHER -----							1	
			*-----								
-33	1200138-2		COLLAR -----							2	
			ATTACHING PARTS -----								
-34	NAS561P4-12		PIN -----							1	
			*-----								

CONTINUED ON NEXT PAGE

# 182 & T182 Parts Catalog

FIGURE AND INDEX NO.	PART NUMBER	DESCRIPTION							UNITS PER ASSY	USABLE ON CODE
		1	2	3	4	5	6	7		
93 -35	S2013-2								1	
	S2014-2								2	
-36	0514089-11								1	
-37	NAS561P4-15								2	
	0514051-2	**							1	
	0514051-1	**							1	
-38	0514035-17								1	
-39	0514035-18								1	
-40	0514026-2								1	
-41	0514034-1								2	
-42	NAS561P6-28								1	
-43	0514028-6								1	
	AN4-15A								2	
	AN960-416								2	
	AN960-416L								2	
	MS21044N4								2	
-44	0514028-5								2	
-45	NAS561P8-18								2	
-46	0700633-5								2	
-47	NAS561P6-22								2	
-48	1200136-1								3	
-49	NAS561P6-18								1	
-50	0514026-4								1	
-51	0514032-1								1	
-52	MS20392Z-2C17								2	
	AN960-10L								2	
	MS24665-132								2	
-53	1200159-3								1	
-54	NAS561P4-12								2	
-55	1200138-2								2	
-56	NAS561P4-12								1	
-57	0514033-2								1	
-58	AN520-10R8								1	
-59	AN960-10L								1	
-60	S2013L2								1	
	S2014-2								2	
-61	0514027-21								1	
-62	1514119-3								1	
-63	MS20392-2C37								1	
-64	AN960-10								1	
-65	MS24665-132								1	
-66	NAS561P4-8								1	
-67	1714067-5								2	
-68	MS20392-1C21								1	
-69	MS24665-132								1	

CONTINUED ON NEXT PAGE

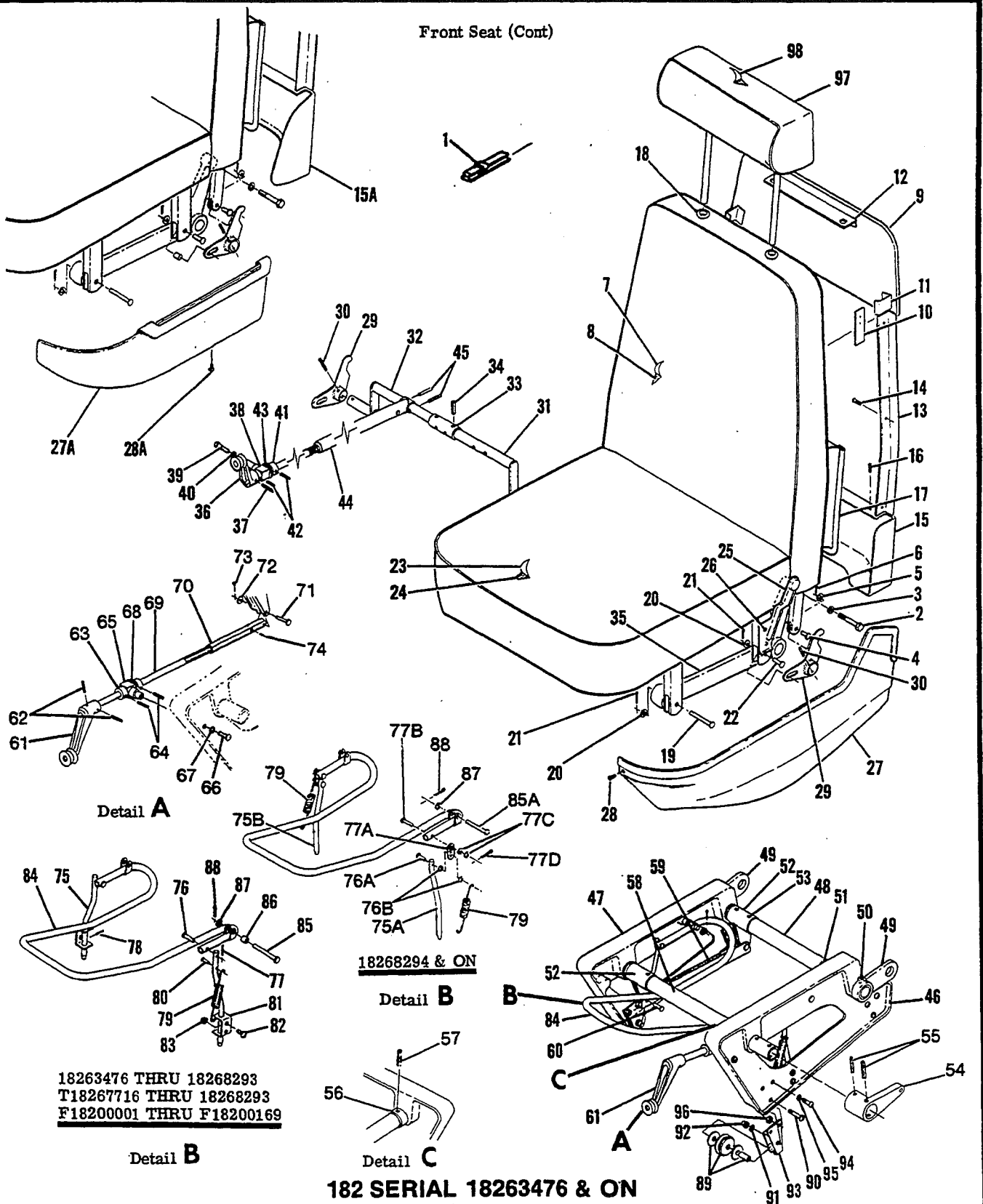


# 182 & T182 Parts Catalog

FIGURE AND INDEX NO.	PART NUMBER	DESCRIPTION							UNITS PER ASSY	USABLE ON CODE
		1	2	3	4	5	6	7		
93 -70	1414116-1	SPRING 1 LH & 1 RH -----							2	
		ATTACHING PARTS -----								
-71	MS20392-1C11	PIN -----							1	
		*-----								
-72	1714061-1	GUIDE-PIN -----							2	
		ATTACHING PARTS -----								
-73	AN515-8R6	SCREW -----							2	
-74	NAS679A08	NUT -----							2	
		*-----								
-75	0514090-4	HANDLE-SEAT ADJUST -----							1	
		ATTACHING PARTS -----								
-76	MS20392-2C55	PIN -----							2	
-76A	NAS43DD3-18	SPACER -----							2	
-77	AN960-10L	WASHER -----							2	
-78	MS24665-132	COTTER PIN -----							2	
		*-----								
-79	S1704-1	ROLLER-SEAT -----							4	
		ATTACHING PARTS -----								
-80	AN23-20A	BOLT -----							1	
-81	AN960-10L	WASHER -----							1	
-82	S1914-8	NUT -----							1	
-83	1714000-22	WASHER -----							2	
-84	1414104-54	BUSHING -----							1	
		*-----								
-85	1714000-33	HOUSING-SEAT ROLLER -----							4	
		ATTACHING PARTS -----								
-86	NAS220-11	SCREW -----							2	
-87	AN960-8	WASHER -----							2	
-88	MS21044N08	NUT -----							2	
		*-----								
-89	NAS561-1-16	PIN -----							2	
-90	1215073-1	#	HEADREST ASSEMBLY -----					2		
-91	1215073-10	#	COVER ASSEMBLY -----					1		
-92	SEE FIG 117		SEAT BELT & SHOULDER HARNESS INSTL -----					AR		
<p>NOTE. #THIS PART MUST HAVE A SECOND DASH NUMBER ADDED TO DENOTE COLOR. REFER TO HOW TO ORDER UPHOLSTERED PARTS-PAGE XII.</p> <p>NOTE. &lt;THIS PART MUST HAVE A SECOND DASH NUMBER ADDED TO DENOTE COLOR. REFER TO HOW TO ORDER INTERIOR PARTS-PAGE XIII.</p> <p>NOTE. **WHEN ORDERING THIS PART ALSO ORDER 0514121-2 HANDLE ASSY &amp; ATTACHING PARTS. REFERENCE FIG 94.</p> <p>A---182 SERIAL 18262466 THRU 18263475</p>										

# 182 & T182 Parts Catalog

Front Seat (Cont)



**182 SERIAL 18263476 & ON**  
**T182 SERIAL 18267716 & ON**  
**F182 SERIAL F18200001 THRU F18200169**

Figure 94. Infinite Adjust Front Seat Installation

# 182 & T182 Parts Catalog

FIGURE AND INDEX NO.	PART NUMBER		DESCRIPTION							UNITS PER ASSY	USABLE ON CODE
			1	2	3	4	5	6	7		
94 -			FRONT SEAT INSTALLATION-INFINITE ADJUST -----							NP	A
	0714020-1	#	FRONT SEAT ASSY-INFINITE ADJUST PILOT -----							1	B
	0714020-2	#	FRONT SEAT ASSY-INFINITE ADJUST CO-PILOT -----							1	B
	0714020-13	#	FRONT SEAT ASSY-INFINITE ADJUST PILOT -----							1	D
	0714020-14	#	FRONT SEAT ASSY-INFINITE ADJUST CO-PILOT -----							1	D
	0714020-23	#	FRONT SEAT ASSY-INFINITE ADJUST PILOT -----							1	E
	0714020-24	#	FRONT SEAT ASSY-INFINITE ADJUST CO-PILOT -----							1	E
	0714049-1	#	FRONT SEAT ASSY-INFINITE ADJUST PILOT -----							1	G
	0714049-2	#	FRONT SEAT ASSY-INFINITE ADJUST CO-PILOT -----							1	G
	0714053-1	#	FRONT SEAT ASSY-INFINITE ADJUST PILOT -----							1	L
	0714053-2	#	FRONT SEAT ASSY-INFINITE ADJUST CO-PILOT -----							1	L
	0714043-1	#	FRONT SEAT ASSY-INFINITE ADJUST PILOT -----							1	M
	0714043-2	#	FRONT SEAT ASSY-INFINITE ADJUST CO-PILOT -----							1	M
	0714059-1	#	FRONT SEAT ASSY-INFINITE ADJUST PILOT -----							1	N
	0714059-2	#	FRONT SEAT ASSY-INFINITE ADJUST CO-PILOT -----							1	N
			ATTACHING PARTS								
- 1	0713074-1		STOP-SEAT -----							1	
	MS20392-1C21		PIN -----							1	
	MS24665-151		COTTER PIN -----							1	
			-----*								
	0714020-3	#	BACK ASSY-UPHOLSTERED SEAT -----							1	B
	0714020-12	#	BACK ASSY-UPHOLSTERED SEAT -----							1	D
	0714020-27	#	BACK ASSY-UPHOLSTERED SEAT -----							1	E
	0714049-5	#	BACK ASSY-UPHOLSTERED SEAT -----							1	G
	0714053-5	#	BACK ASSY-UPHOLSTERED SEAT -----							1	L
	0714043-5	#	BACK ASSY-UPHOLSTERED SEAT -----							1	M
	0714059-5	#	BACK ASSY-UPHOLSTERED SEAT -----							1	N
			ATTACHING PARTS								
- 2	AN3-17A		BOLT -----							2	
- 3	AN960-10L		WASHER -----							4	
	S2559-4-1-1530		SPACER -----							2	
	MS21044N3		NUT -----							2	
- 4	MS20392-2C11		PIN -----							2	
- 5	AN960-10L		WASHER -----							2	
- 6	MS24665-132		COTTER PIN -----							2	
			-----*								
- 7	0714020-7	#	COVER ASSY-SEAT BACK -----							1	B
	0714020-17	#	COVER ASSY-SEAT BACK -----							1	D
	0714020-29	#	COVER ASSY-SEAT BACK -----							1	E
	0714049-8	#	COVER ASSY-SEAT BACK -----							1	G
	0714053-8	#	COVER ASSY-SEAT BACK -----							1	L
	0714043-8	#	COVER ASSY-SEAT BACK -----							1	M
	0714059-8	#	COVER ASSY-SEAT BACK -----							1	N
	0714020-10		CUSHION ASSY-SEAT BACK -----							1	B
- 8	0714020-20		CUSHION ASSY-SEAT BACK -----							1	H
	0714049-12		CUSHION ASSY-SEAT BACK -----							1	G
	0714053-6		CUSHION ASSY-SEAT BACK -----							1	L
	0714043-6		CUSHION ASSY-SEAT BACK -----							1	M
	0714059-6		CUSHION ASSY-SEAT BACK -----							1	N
	0714059-12		CUSHION ASSY-SEAT BACK UPPER -----							1	L
			CUSHION ASSY-SEAT BACK LWR -----							1	N
- 9	0514100-1	#	FORMER ASSY-SEAT BACK -----							1	
			ATTACHING PARTS								
-10	0514099-3		CLIP-SEAT BACK -----							2	
			-----*								
-11	0514099-1		BRACKET-SEAT BACK FORMER -----							2	
-12	0514099-2		BRACKET-SEAT BACK FORMER -----							1	
-13	0514102-1	#	RETAINER ASSY -----							2	
			ATTACHING PARTS								
-14	S1021A4-6		SCREW -----							2	
			-----*								
-15	1214098-1	<	TRIM -----							1	B
-15A	1714100-1	<	TRIM -----							1	F
			ATTACHING PARTS								
-16	S1021A4-6		SCREW -----							3	
			-----*								
-17	1214062-5	#	POCKET ASSY-MAGAZINE -----							1	
-18	0514110-1		GROMMET -----							2	

CONTINUED ON NEXT PAGE

# 182 & T182 Parts Catalog

FIGURE AND INDEX NO.	PART NUMBER		DESCRIPTION							UNITS PER ASSY	USABLE ON CODE	
			1	2	3	4	5	6	7			
94 -	0714020-4	#	BOTTOM ASSY-UPHOLSTERED SEAT								1	B B D D E E F F G G L L M M N N
	0714020-5	#	BOTTOM ASSY-UPHOLSTERED SEAT								1	
	0714020-15	#	BOTTOM ASSY-UPHOLSTERED SEAT								1	
	0714020-16	#	BOTTOM ASSY-UPHOLSTERED SEAT								1	
	0714020-25	#	BOTTOM ASSY-UPHOLSTERED SEAT								1	
	0714020-26	#	BOTTOM ASSY-UPHOLSTERED SEAT								1	
	0714049-3		BOTTOM ASSY-UPHOLSTERED SEAT								1	
	0714049-4		BOTTOM ASSY-UPHOLSTERED SEAT								1	
	0714053-3		BOTTOM ASSY-UPHOLSTERED SEAT								1	
	0714053-4		BOTTOM ASSY-UPHOLSTERED SEAT								1	
	0714043-3		BOTTOM ASSY-UPHOLSTERED SEAT								1	
	0714043-4		BOTTOM ASSY-UPHOLSTERED SEAT								1	
	0714059-3		BOTTOM ASSY-UPHOLSTERED SEAT								1	
	0714059-4		BOTTOM ASSY-UPHOLSTERED SEAT								1	
				ATTACHING PARTS								
-19	MS20392-3C49		PIN								2	
-20	AN960-416L		WASHER								4	
-21	MS24665-134		COTTER PIN								4	
-22	MS20392-3C17		PIN								2	
			*---									
-23	0714020-6	#	COVER ASSY-SEAT BOTTOM								1	B D E F G L M N B D E F G L M N B B
	0714020-18	#	COVER ASSY-SEAT BOTTOM								1	
	0714020-28	#	COVER ASSY-SEAT BOTTOM								1	
	0714049-9	#	COVER ASSY-SEAT BOTTOM								1	
	0714053-9	#	COVER ASSY-SEAT BOTTOM								1	
	0714043-9	#	COVER ASSY-SEAT BOTTOM								1	
	0714059-9	#	COVER ASSY-SEAT BOTTOM								1	
	0714020-11		CUSHION ASSY-SEAT BOTTOM								1	
	0714020-19		CUSHION ASSY-SEAT BOTTOM								1	
-24	0714020-30		CUSHION ASSY-SEAT BOTTOM								1	B D E F G L M N B B
	0714049-10		CUSHION ASSY-SEAT BOTTOM								1	
	0714053-7		CUSHION ASSY-SEAT BOTTOM								1	
	0714043-7		CUSHION ASSY-SEAT BOTTOM								1	
	0714059-7		CUSHION ASSY-SEAT BOTTOM								1	
	0514101-1		STIFFENER-SEAT TRIM LH								1	
	0514101-2		STIFFENER-SEAT TRIM RH								1	
			ATTACHING PARTS									
-26	S1021A4-6		SCREW								2	B
			*---									
-27	0714010-1	<	TRIM-SEAT BOTTOM LH								1	B B C C
	0714010-2	<	TRIM-SEAT BOTTOM RH								1	
-27A	1714101-13	<	TRIM ASSY-SEAT BOTTOM LH								1	B C C
	1714101-14	#	TRIM ASSY-SEAT BOTTOM RH								1	
			ATTACHING PARTS									
-28	S1021A4-6		SCREW								6	B C
-28A	S1021A4-6		SCREW								10	
			*---									
-29	0514030-4		BELLCRANK ASSY-SEAT BACK ADJUST								2	
			ATTACHING PARTS									
-30	NAS561P4-12		PIN								2	
			*---									
-31	1714074-13		CRANK-WELD ASSY-LH								1	
-32	1714074-14		CRANK-WELD ASSY-RH								1	
-33	1714074-6		SPLICE								1	
			ATTACHING PARTS									
-34	NAS561P6-12		PIN								4	
			*---									
-35	0514060-5		BRACKET-SEAT PIVOT								2	B C
-36	0514036-1		HANDLE ASSY-SEAT BACK ADJUST								1	
	0514121-2		HANDLE ASSY-SEAT BACK ADJUST								1	
			ATTACHING PARTS									
-37	NAS561P4-12		PIN								1	B C
	NAS561P4-10		PIN								1	
			*---									
-38	0514033-1		BEARING BLOCK								1	
			ATTACHING PARTS									
-39	AN520-10R8		SCREW								1	
-40	AN960-10L		WASHER								1	
			*---									
-41	1200138-2		COLLAR								2	
			ATTACHING PARTS									
-42	NAS561P4-12		PIN								1	
			*---									

CONTINUED ON NEXT PAGE

# 182 & T182 Parts Catalog

FIGURE AND INDEX NO.	PART NUMBER	DESCRIPTION							UNITS PER ASSY	USABLE ON CODE
		1	2	3	4	5	6	7		
94 -43	S2013-2	BEARING -----							1	J P R J P R J K J K
	S2014-2	RACE-BEARING -----							2	
-44	0514089-1	JACK SCREW ASSY -----							1	
		ATTACHING PARTS -----								
-45	NAS561P4-15	PIN -----							2	
	0514051-2 *	PEDESTAL ASSY-CO-PILOT SEAT WEU 0514051-18 -----							1	
	0514051-18	PEDESTAL ASSY-CO-PILOT SEAT -----							1	
	0514051-1 *	PEDESTAL ASSY-CO-PILOT SEAT -----							1	
	0514051-19	PEDESTAL ASSY-PILOT SEAT WEU 0514051-19 -----							1	
	0514035-17	PEDESTAL ASSY-PILOT SEAT -----							1	
-46	0514035-17	PEDESTAL-LH WEU 0514035-37 -----							1	
	0514035-37	PEDESTAL-LH -----							1	
-47	0514035-18	PEDESTAL-RH WEU 0514035-38 -----							1	
	0514035-38	PEDESTAL-RH -----							1	
-48	0514026-2	TORQUE TUBE-REAR -----							1	
-49	0514034-1	BELLCRANK-REAR TORQUE TUBE -----							2	
		ATTACHING PARTS -----								
-50	NAS561P6-28	PIN -----							1	
		*-----								
-51	0514028-6	BELLCRANK ASSY-REAR TORQUE INBD -----							1	
		ATTACHING PARTS -----								
	AN4-15A	BOLT -----							2	
	AN960-416	WASHER 1 UNDER EACH HEAD -----							2	
	AN960-416L	WASHER -----							2	
	MS21044N4	NUT -----							2	
		*-----								
-52	0514028-5	BELLCRANK ASSY-REAR TORQUE TUBE OUTBD -----							1	
		ATTACHING PARTS -----								
-53	NAS561P8-18	PIN -----							2	
		*-----								
-54	0700633-6	BELLCRANK-FWD TORQUE TUBE -----							2	
		ATTACHING PARTS -----								
-55	NAS561P6-22	PIN -----							2	
		*-----								
-56	1200136-1	COLLAR -----							1	
		ATTACHING PARTS -----								
-57	NAS561P6-18	PIN -----							1	
		*-----								
-58	0514026-4	TORQUE TUBE-FWD -----							1	
-59	0514032-1	CHANNEL-TORQUE TUBE INTERCONNECT -----							1	
		ATTACHING PARTS -----								
-60	MS20392Z-2C17	PIN -----							2	
	AN960-10L	WASHER -----							2	
	MS24665-132	COTTER PIN -----							2	
		*-----								
-61	1200159-3	HANDLE ASSY-VERTICAL ADJUST -----							1	B C  B C
	0514121-1	HANDLE ASSY-VERTICAL ADJUST -----							1	
		ATTACHING PARTS -----								
-62	NAS561P4-12	PIN -----							2	
	NAS561P4-10	PIN -----							2	
		*-----								
-63	1200138-2	COLLAR -----							2	
		ATTACHING PARTS -----								
-64	NAS561P4-12	PIN -----							1	
		*-----								
-65	0514033-2	BEARING BLOCK -----							1	
		ATTACHING PARTS -----								
-66	AN520-10R8	SCREW -----							1	
-67	AN960-10L	WASHER -----							1	
		*-----								

CONTINUED ON NEXT PAGE

# 182 & T182 Parts Catalog

FIGURE AND INDEX NO.	PART NUMBER	DESCRIPTION							UNITS PER ASSY	USABLE ON CODE
		1	2	3	4	5	6	7		
94 -68	S2013-2	BEARING -----							1	
	S2014-2	RACE-BEARING -----							2	
-69	0514027-21	SCREW ASSY-VERTICAL ADJUST -----							1	
-70	1514119-3	NUT-VERTICAL ADJUST -----							1	
		ATTACHING PARTS								
-71	MS20392-2C37	PIN -----							1	
-72	AN960-10	WASHER -----							1	
-73	MS24665-132	COTTER PIN -----							1	
-74	NAS561P4-8	PIN -----							1	
		*-----								
-75	1714067-5	PIN-SEAT ADJUST -----							2	
-75A	0714062-1	PIN-SEAT ADJUST LH -----							1	S
-75B	0714062-2	PIN-SEAT ADJUST RH -----							1	R
		ATTACHING PARTS								
-76	MS20392-1C21	PIN -----							1	S
-76A	MS20392-1C13	PIN -----							1	R
-76B	AN960-4	WASHER -----							2	R
-77	MS24665-132	COTTER PIN -----							1	S
		*-----								
-77A	0714061-1	LINK-SEAT LOCK -----							2	R
		ATTACHING PARTS								
-77B	MS20392-1C17	PIN -----							1	R
-77C	AN960-4	WASHER -----							2	R
-77D	MS24665-132	COTTER PIN -----							1	R
		*-----								
-78	NAS561-3-16	PIN -----							2	J
-79	1414116-1	SPRING 1 LH & 1 RH -----							2	K
	1414116-4	SPRING 1 LH & 1 RH -----							2	K
		ATTACHING PARTS								
-80	MS20392-1C11	PIN -----							1	J
		*-----								
-81	1714061-1	GUIDE-PIN -----							2	J
		ATTACHING PARTS								
-82	AN515-8R6	SCREW -----							2	J
-83	MS21044N08	NUT -----							2	J
		*-----								
-84	0514090-4	HANDLE-SEAT ADJUST -----							1	
		ATTACHING PARTS								
-85	MS20392-2C59	PIN -----							2	S
-85A	MS20392-2C51	PIN -----							2	R
-86	NAS43DD3-18	SPACER -----							2	S
-87	AN960-10	WASHER -----							2	
-88	MS24665-132	COTTER PIN -----							2	
		*-----								
-89	1714000-200	ROLLER KIT -----							1	
		ATTACHING PARTS								
-90	AN23-20A	BOLT -----							1	
-91	AN960-10L	WASHER -----							1	
-92	S1914-8	NUT -----							1	
		*-----								
-93	1714000-33	HOUSING-SEAT ROLLER -----							4	
		ATTACHING PARTS								
-94	NAS220-11	SCREW -----							2	
-95	AN960-8	WASHER -----							2	
-96	MS21044N08	NUT -----							2	
		*-----								
-97	1215073-1	HEADREST ASSY -----							2	
-98	1215073-10	COVER ASSY -----							1	
	SEE FIG 117	SEAT BELT & SHOULDER HARNESS INSTL -----							AR	

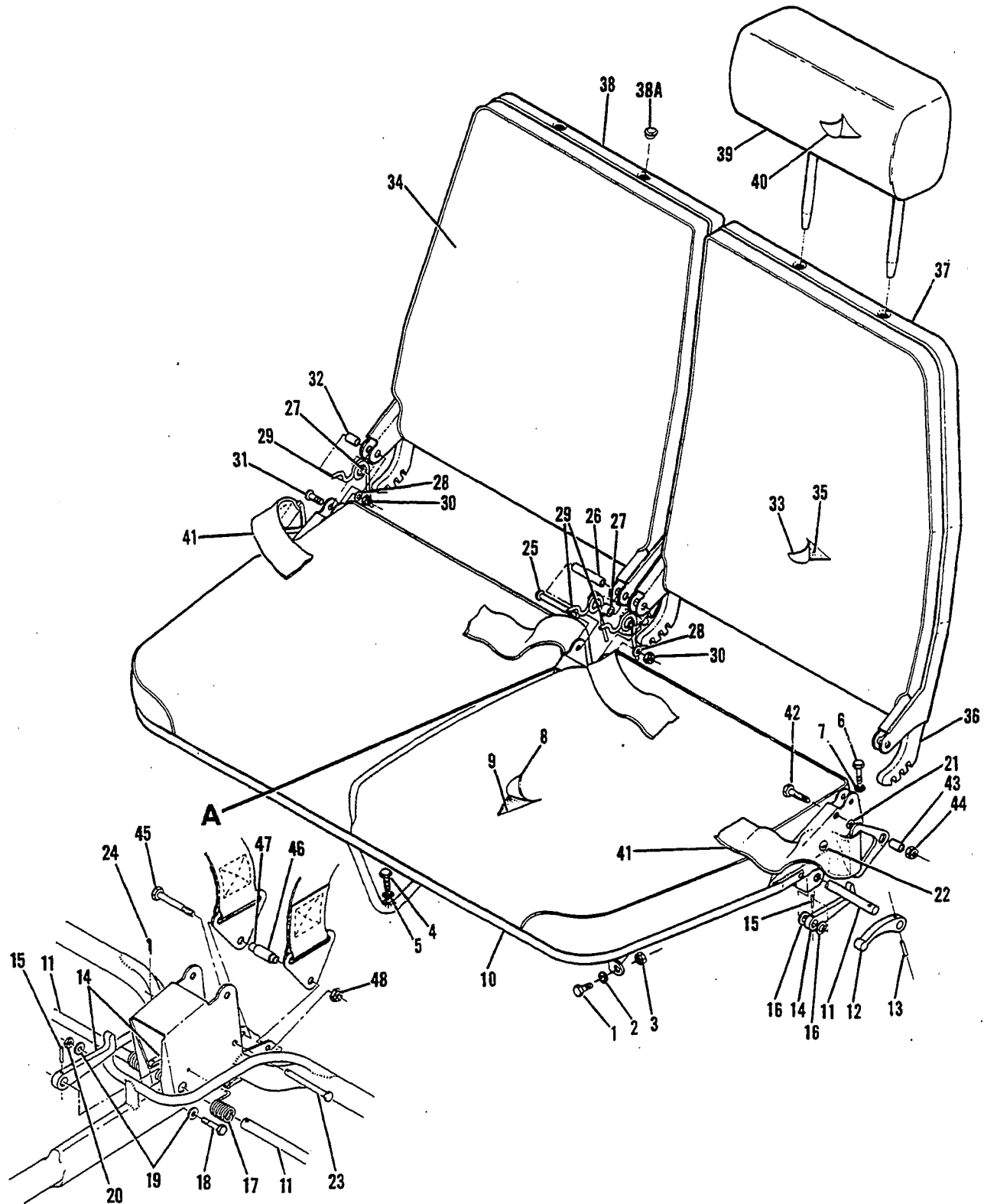
CONTINUED ON NEXT PAGE

# 182 & T182 Parts Catalog

FIGURE AND INDEX NO.	PART NUMBER	DESCRIPTION	UNITS PER ASSY	USABLE ON CODE
		1 2 3 4 5 6 7		
94 -		<p>NOTE. # THIS PART MUST HAVE A SECOND DASH NUMBER ADDED TO DENOTE COLOR. REFER TO HOW TO ORDER UPHOLSTERED PARTS-PAGE XII.</p> <p>NOTE. &lt; THIS PART MUST HAVE A SECOND DASH NUMBER ADDED TO DENOTE COLOR. REFER TO HOW TO ORDER INTERIOR PARTS-PAGE XIII.</p> <p>NOTE. * WHEN ORDERING THIS PART FOR AIRPLANES PRIOR TO SERIAL 18264296 ALSO ORDER 0514121-2 HANDLE ASSY &amp; ATTACHING PARTS.</p> <p>A---182 SERIAL 18263476 &amp; ON F182 SERIAL F18200001 THRU F18200169 T182 SERIAL 18267716 &amp; ON</p> <p>B---182 SERIAL 18263476 THRU 18264295</p> <p>C---182 SERIAL 18264296 &amp; ON F182 SERIAL F18200001 THRU F18200169 T182 SERIAL 18267716 &amp; ON</p> <p>D---182 SERIAL 18264296 THRU 18265175 F182 SERIAL F18200001 THRU F18200025</p> <p>E---182 SERIAL 18265176 THRU 18265965 F182 SERIAL F18200026 THRU F18200064</p> <p>F---182 SERIAL 18263476 THRU 18264295 182 SERIAL 18265966 &amp; ON F182 SERIAL F18200065 THRU F18200169 T182 SERIAL 18267716 &amp; ON</p> <p>G---182 SERIAL 18265966 THRU 18266590 F182 SERIAL F18200065 THRU F18200094</p> <p>H---182 SERIAL 18264296 THRU 18265965 F182 SERIAL F18200001 THRU F18200064</p> <p>J---182 SERIAL 18263476 THRU 18266789 F182 SERIAL F18200001 THRU F18200112</p> <p>K---182 SERIAL 18266790 &amp; ON F182 SERIAL F18200113 THRU F18200169 T182 SERIAL 18267716 &amp; ON</p> <p>L---182 SERIAL 18266591 THRU 18267300 F182 SERIAL F18200095 THRU F18200129</p> <p>M---182 SERIAL 18267301 THRU 18268055 F182 SERIAL F18200130 THRU F18200169 T182 SERIAL 18267716 THRU 18268055</p> <p>N---182 &amp; T182 SERIAL 18268056 &amp; ON</p> <p>P---182 SERIAL 18266790 THRU 18268293 F182 SERIAL F18200130 THRU F18200169 T182 SERIAL 18267716 THRU 18268293</p> <p>R---182 &amp; T182 SERIAL 18268294 &amp; ON</p> <p>S---182 SERIAL 18263476 THRU 18268293 F182 SERIAL F18200001 THRU F18200169 T182 SERIAL 18267716 THRU 18268293</p>		

# 182 & T182 Parts Catalog

Rear Seat (Cont)



Detail A

182 SERIAL 18262466 THRU 18267300  
F182 SERIAL F1820001 THRU F18200129

Figure 95. Rear Seat Assembly



# 182 & T182 Parts Catalog

FIGURE AND INDEX NO.	PART NUMBER	DESCRIPTION							UNITS PER ASSY	USABLE ON CODE	
		1	2	3	4	5	6	7			
95 -	0714013-1	SEAT ASSY-REAR	---	---	---	---	---	---	1	A B F G H J A B F G H J	
	0714021-1	SEAT ASSY-REAR	---	---	---	---	---	---	1		
	0714021-17	SEAT ASSY-REAR	---	---	---	---	---	---	1		
	0714021-33	SEAT ASSY-REAR	---	---	---	---	---	---	1		
	0714047-1	SEAT ASSY-REAR	---	---	---	---	---	---	1		
	0714054-1	SEAT ASSY-REAR	---	---	---	---	---	---	1		
	0714013-4	BOTTOM ASSY-REAR SEAT	---	---	---	---	---	---	1		
	0714021-2	BOTTOM ASSY-REAR SEAT	---	---	---	---	---	---	1		
	0714021-18	BOTTOM ASSY-REAR SEAT	---	---	---	---	---	---	1		
	0714021-34	BOTTOM ASSY-REAR SEAT	---	---	---	---	---	---	1		
	0714047-2	BOTTOM ASSY-REAR SEAT	---	---	---	---	---	---	1		
	0714054-2	BOTTOM ASSY-REAR SEAT	---	---	---	---	---	---	1		
			ATTACHING PARTS								
	- 1	AN4-5A	BOLT	---	---	---	---	---	---		2
	- 2	AN960-416L	WASHER	---	---	---	---	---	---		2
	- 3	MS21042L4	NUT	---	---	---	---	---	---		2
	- 4	AN3-11A	BOLT	---	---	---	---	---	---		1
	- 5	AN960-10L	WASHER	---	---	---	---	---	---		1
	- 6	AN4-5A	BOLT	---	---	---	---	---	---		4
	- 7	S1450-4-10-064	WASHER	---	---	---	---	---	---		4
			AFT SIDES & CENTER ATTACH	---	---	---	---	---	---		
			AFT SIDES & CENTER ATTACH	---	---	---	---	---	---		
			---	---	---	---	---	---	---		
- 8	0714013-12	COVER ASSY-BOTTOM LH	---	---	---	---	---	---	1	A B F G H A B F G H J A B C H A B C H J A	
	0714021-8	COVER ASSY-BOTTOM LH	---	---	---	---	---	---	1		
	0714021-23	COVER ASSY-BOTTOM LH	---	---	---	---	---	---	1		
	0714021-39	COVER ASSY-BOTTOM LH	---	---	---	---	---	---	1		
	0714047-9	COVER ASSY-BOTTOM LH	---	---	---	---	---	---	1		
	0714013-9	COVER ASSY-BOTTOM RH	---	---	---	---	---	---	1		
	0714021-10	COVER ASSY-BOTTOM RH	---	---	---	---	---	---	1		
	0714021-24	COVER ASSY-BOTTOM RH	---	---	---	---	---	---	1		
	0714021-40	COVER ASSY-BOTTOM RH	---	---	---	---	---	---	1		
	0714047-10	COVER ASSY-BOTTOM RH	---	---	---	---	---	---	1		
	0714054-9	COVER ASSY-BOTTOM RH	---	---	---	---	---	---	1		
- 9	0700678-33	COVER ASSY-SEAT BOTTOM	---	---	---	---	---	---	1		
	0714021-11	CUSHION-SEAT BOTTOM LH	---	---	---	---	---	---	1		
	0714021-25	CUSHION-SEAT BOTTOM LH	---	---	---	---	---	---	1		
	0714047-11	CUSHION-SEAT BOTTOM LH	---	---	---	---	---	---	1		
	0700678-34	CUSHION-SEAT BOTTOM RH	---	---	---	---	---	---	1		
	0714021-12	CUSHION-SEAT BOTTOM RH	---	---	---	---	---	---	1		
	0714021-26	CUSHION-SEAT BOTTOM RH	---	---	---	---	---	---	1		
	0714047-12	CUSHION-SEAT BOTTOM RH	---	---	---	---	---	---	1		
	0714054-11	CUSHION-SEAT BOTTOM RH	---	---	---	---	---	---	1		
-10	0715017-1	CUSHION ASSY-SEAT BOTTOM	---	---	---	---	---	---	1		
		ONE PIECE	---	---	---	---	---	---	6		
		RETAINER	---	---	---	---	---	---			
		ATTACHING PARTS									
	S1021Z4-6	SCREW	---	---	---	---	---	---	1		
		---	---	---	---	---	---	---			
-11	1414211-59	TUBE-CONTROL LH	---	---	---	---	---	---	1		
	1414211-58	TUBE-CONTROL RH	---	---	---	---	---	---	1		
-12	0710312-2	HANDLE	---	---	---	---	---	---	2		
		ATTACHING PARTS									
-13	NAS561C3-10	PIN	---	---	---	---	---	---	1		
		---	---	---	---	---	---	---			
-14	1414231-2	PAWL	---	---	---	---	---	---	4		
		ATTACHING PARTS									
-15	NAS561C3-10	PIN	---	---	---	---	---	---	1		
		---	---	---	---	---	---	---			
-16	AN960-416	WASHER	---	---	---	---	---	---	4		
-17	1414107-1	SPRING-LH	---	---	---	---	---	---	1		
	1414107-2	SPRING-RH	---	---	---	---	---	---	1		
-18	AN3-10A	BOLT	---	---	---	---	---	---	2		
-19	AN960-10L	WASHER	---	---	---	---	---	---	4		
-20	MS21044N3	NUT	---	---	---	---	---	---	2		
-21	AN507-832R14	SCREW	---	---	---	---	---	---	2		
	NAS679A08	NUT	---	---	---	---	---	---	2		
-22	AN23-15A	BOLT	---	---	---	---	---	---	2		
-23	MS20392-2C71	PIN	---	---	---	---	---	---	1		

CONTINUED ON NEXT PAGE

# 182 & T182 Parts Catalog

FIGURE AND INDEX NO.	PART NUMBER	DESCRIPTION	UNITS PER ASSY							USABLE ON CODE
			1	2	3	4	5	6	7	
95 -24	MS24665-132	COTTER PIN -----	1							
	0714013-2	BACK ASSY-REAR SEAT RH -----	1							
	0714021-4	BACK ASSY-REAR SEAT RH -----	1							
	0714021-20	BACK ASSY-REAR SEAT RH -----	1							
	0714021-36	BACK ASSY-REAR SEAT RH -----	1							
	0714047-4	BACK ASSY-REAR SEAT RH -----	1							
	0714054-4	BACK ASSY-REAR SEAT RH -----	1							
	0714013-3	BACK ASSY-REAR SEAT LH -----	1							
	0714021-3	BACK ASSY-REAR SEAT LH -----	1							
	0714021-19	BACK ASSY-REAR SEAT LH -----	1							
	0714021-35	BACK ASSY-REAR SEAT LH -----	1							
	0714047-3	BACK ASSY-REAR SEAT LH -----	1							
	0714054-3	BACK ASSY-REAR SEAT LH -----	1							
			ATTACHING PARTS							
-25	AN3-24A	BOLT -----	1							
-26	1414211-22	BUSHING -----	1							
-27	0711668-1	BUSHING -----	4							
-28	AN960-10L	WASHER -----	6							
-29	0711667-1	SPRING -----	4							
-30	MS21044N3	NUT -----	3							
-31	AN3-10A	BOLT -----	2							
-32	1414104-4	BUSHING -----	2							
		----								
-33	0714013-5	COVER ASSY-SEAT BACK LH -----	1							
	0714021-5	COVER ASSY-SEAT BACK LH -----	1							
	0714021-21	COVER ASSY-SEAT BACK LH -----	1							
	0714021-37	COVER ASSY-SEAT BACK LH -----	1							
-34	0714047-5	COVER ASSY-SEAT BACK LH -----	1							
	0714054-5	COVER ASSY-SEAT BACK LH -----	1							
	0714013-6	COVER ASSY-SEAT BACK RH -----	1							
	0714021-6	COVER ASSY-SEAT BACK RH -----	1							
-35	0714021-22	COVER ASSY-SEAT BACK RH -----	1							
	0714021-38	COVER ASSY-SEAT BACK RH -----	1							
	0714047-6	COVER ASSY-SEAT BACK RH -----	1							
	0714054-6	COVER ASSY-SEAT BACK RH -----	1							
-36	0714013-7	CUSHION ASSY-SEAT BACK LH -----	1							
	0714021-13	CUSHION ASSY-SEAT BACK LH -----	1							
	0714021-27	CUSHION ASSY-SEAT BACK LH -----	1							
	0714047-7	CUSHION ASSY-SEAT BACK LH -----	1							
	0714054-7	CUSHION ASSY-SEAT BACK LH -----	1							
	0714013-8	CUSHION ASSY-SEAT BACK RH -----	1							
	0714021-14	CUSHION ASSY-SEAT BACK RH -----	1							
	0714021-28	CUSHION ASSY-SEAT BACK RH -----	1							
-37	0714047-8	CUSHION ASSY-SEAT BACK RH -----	1							
	0714054-8	CUSHION ASSY-SEAT BACK RH -----	1							
	1414230-2	CAM-SEAT BACK RECLINE -----	2							
	0715016-1	TRIM ASSY-SEAT BACK LH -----	1							
-38	0714023-1	TRIM ASSY-SEAT BACK LH -----	1							
	0715016-2	TRIM ASSY-SEAT BACK RH -----	1							
		ATTACHING PARTS								
	S1021ZA4-6	SCREW -----	5							
		----								
-38A	0514110-1	GROMMET-HEADREST -----	2							
-39	1215073-1	HEADREST ASSY -----	2							
-40	1215073-10	COVER-HEADREST -----	1							

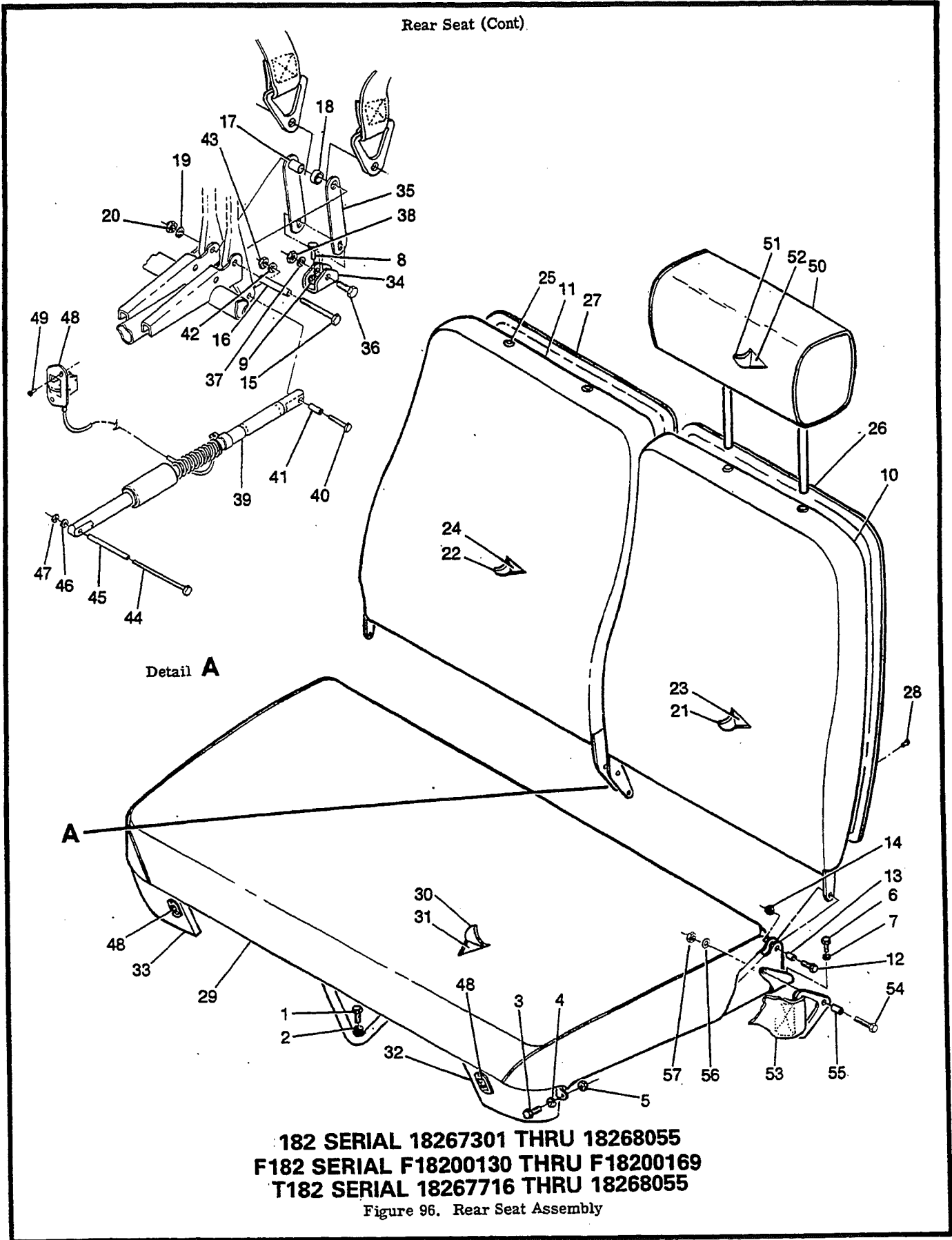
CONTINUED ON NEXT PAGE

# 182 & T182 Parts Catalog

FIGURE AND INDEX NO.	PART NUMBER	DESCRIPTION							UNITS PER ASSY	USABLE ON CODE
		1	2	3	4	5	6	7		
95 -41	SEE FIG 117	SEAT BELT & SHOULDER HARNESS INSTALLATION -----							AR	
		ATTACHING PARTS								
-42	AN4-12A	BOLT							2	
	NAS43HT4-32	SPACER							2	
-43	NAS43HT4-12	SPACER							2	
	AN960-416L	WASHER							2	
-44	MS21042L4	NUT							2	
-45	AN4-20A	BOLT							1	
-46	NAS43HT6-58	SPACER							1	
-47	NAS43HT4-80	SPACER							1	
-48	MS21042L4	NUT							1	
		-----*								
		<p>NOTE. # THIS PART MUST HAVE A SECOND DASH NUMBER ADDED TO DENOTE COLOR. REFER TO HOW TO ORDER UPHOLSTERED PARTS-PAGE XII.</p> <p>NOTE. &lt; THIS PART MUST HAVE A SECOND DASH NUMBER ADDED TO DENOTE COLOR. REFER TO HOW TO ORDER INTERIOR PARTS-PAGE XIII.</p> <p>NOTE. * WHEN INITIALLY ORDERING SEAT BELT OR SHOULDER HARNESS FOR AIRCRAFT PRIOR TO SERIAL 18264256, BOTH SEAT BELT &amp; SHOULDER HARNESS MUST BE REPLACED</p> <p>A---182 SERIAL 18262466 THRU 18263475            B---182 SERIAL 18263476 THRU 18264295            C---182 SERIAL 18264296 THRU 18265965                F182 SERIAL F18200001 THRU F18200064            D---182 SERIAL 18263476 THRU 18267300            E---182 SERIAL 18262466 THRU 18264295            F---182 SERIAL 18264296 THRU 18265175                F182 SERIAL F18200001 THRU F18200025            G---182 SERIAL 18265176 THRU 18265965                F182 SERIAL F18200026 THRU F18200064            H---182 SERIAL 18265966 THRU 18266590                F182 SERIAL F18200065 THRU F18200094            J---182 SERIAL 18266591 THRU 18267300                F182 SERIAL F18200095 THRU F18200129</p>								

# 182 & T182 Parts Catalog

Rear Seat (Cont.)



182 SERIAL 18267301 THRU 18268055  
F182 SERIAL F18200130 THRU F18200169  
T182 SERIAL 18267716 THRU 18268055

Figure 96. Rear Seat Assembly

# 182 & T182 Parts Catalog

FIGURE AND INDEX NO.	PART NUMBER	DESCRIPTION							UNITS PER ASSY	USABLE ON CODE
		1	2	3	4	5	6	7		
96 -		REAR SEAT INSTALLATION-INDIVIDUALLY RECLINING BACK -----							NP	A
	0714041-1 #	SEAT ASSY-REAR SPLIT BACK -----							1	B
	0714041-22 #	SEAT ASSY-REAR SPLIT BACK -----							1	C
		ATTACHING PARTS								
- 1	AN3-11A	BOLT -----							1	
- 2	AN960-10L	WASHER -----							1	
- 3	AN4-5A	BOLT -----							2	
- 4	AN960-416L	WASHER -----							2	
- 5	MS21042L4	NUT -----							2	
- 6	AN4-5A	BOLT -----							2	
- 7	S1450-4-10-064	WASHER -----							2	
- 8	AN4-5A	BOLT -----							2	
- 9	S1450-4-10-064	WASHER -----							2	
		*-----								
-10	0714041-3 #	BACK ASSY-SEAT					LH	-----	1	B
	0714041-17 #	BACK ASSY-SEAT					LH	-----	1	C
-11	0714041-4 #	BACK ASSY-SEAT					RH	-----	1	C
	0714041-16 #	BACK ASSY-SEAT					RH	-----	1	C
		ATTACHING PARTS								
-12	AN3-10A	BOLT -----							2	
-13	0514029-10	SPACER -----							2	
-14	MS21044N3	NUT -----							2	
-15	AN3-26A	BOLT -----							1	
-16	0514029-13	SPACER -----							1	
-17	NAS43HT4-64	SPACER -----							1	
-18	NAS43HT6-20	SPACER -----							1	
-19	AN960-10L	WASHER -----							1	
-20	MS21044N3	NUT -----							1	
		*-----								
-21	0714041-5 #	COVER ASSY-SEAT BACK-LH					-----	-----	1	
-22	0714041-6 #	COVER ASSY-SEAT BACK-RH					-----	-----	1	
-23	0714041-7	CUSHION ASSY-SEAT BACK-LH					-----	-----	1	
-24	0714041-8	CUSHION ASSY-SEAT BACK-RH					-----	-----	1	
-25	0514110-1	GROMMET-HEAD REST -----							2	
-26	0714023-3 <	TRIM ASSY-BACK PANEL LH					-----	-----	1	
-27	0714023-4 <	TRIM ASSY-BACK PANEL RH					-----	-----	1	
		ATTACHING PARTS								
-28	S1021A-6	SCREW -----							10	
		*-----								
-29	0714041-2 #	BOTTOM ASSY-SEAT -----							1	
-30	0714041-9 #	COVER ASSY-SEAT BOTTOM -----							1	
-31	0714041-10	CUSHION ASSY-SEAT BOTTOM -----							1	
-32	2214015-1	SKIRT ASSY-LH -----							1	
-33	2214012-2	SKIRT ASSY-RH -----							1	
		ATTACHING PARTS								
	S102A4-8	SCREW -----							3	
		*-----								
-34	2414014-4	FITTING-SEAT -----							1	
-35	2414014-3	LINK -----							2	
		ATTACHING PARTS								
-36	AN4-13A	BOLT -----							1	
-37	AN960-416L	WASHER -----							1	
-38	MS21044N4	NUT -----							1	
		*-----								
-39	C165031-0101	LOCK ASSY-CYLINDER -----							2	
		ATTACHING PARTS								
-40	NA3-12A	BOLT -----							2	
-41	0514029-4	SPACER -----							2	
-42	AN960-10L	WASHER -----							2	
-43	MS21044N3	NUT -----							2	
-44	AN3-35A	BOLT -----							1	
-45	0514029-11	SPACER -----							1	
-46	AN960-10L	WASHER -----							1	
-47	MS21044N3	NUT -----							1	
		*-----								

CONTINUED ON NEXT PAGE

# 182 & T182 Parts Catalog

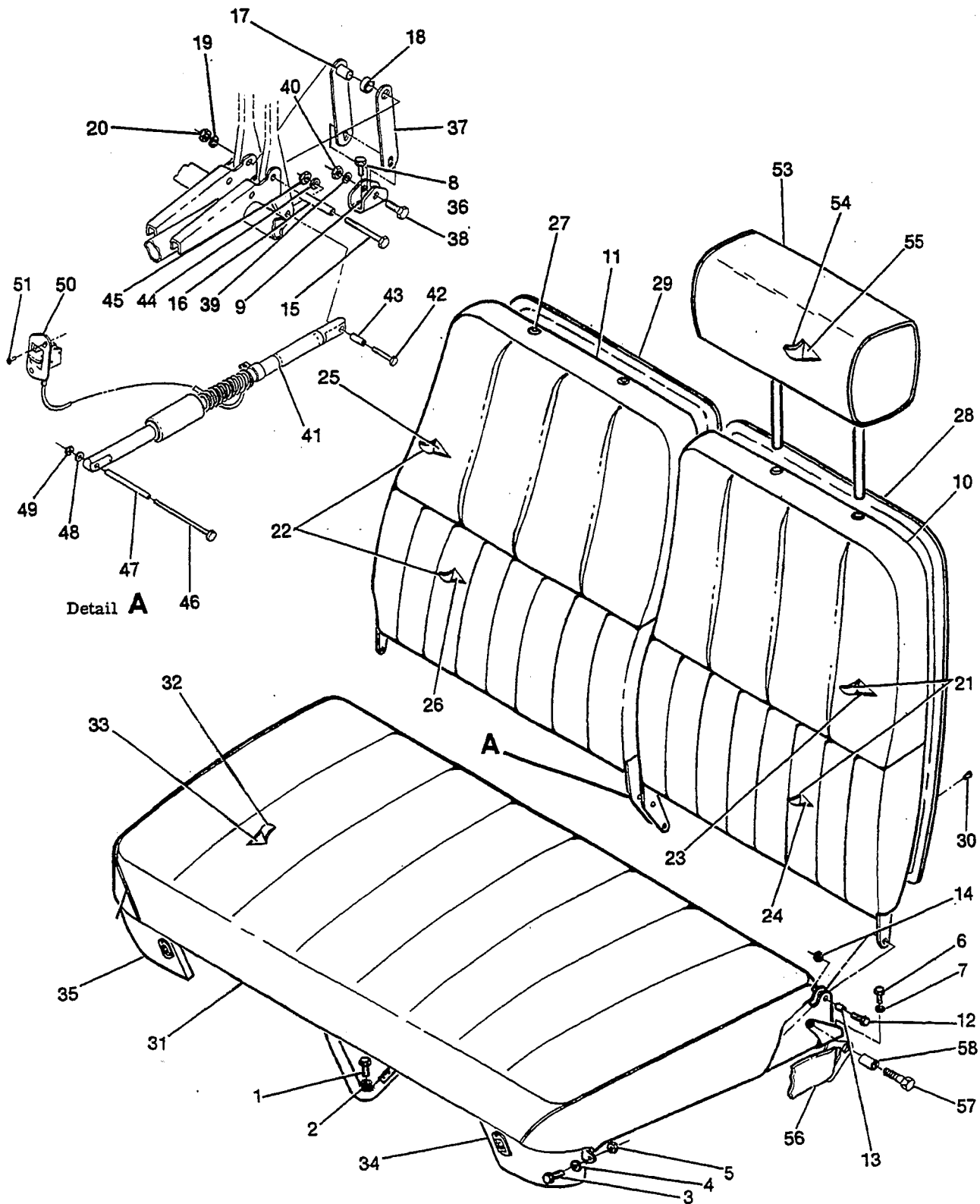
FIGURE AND INDEX NO.	PART NUMBER	DESCRIPTION							UNITS PER ASSY	USABLE ON CODE
		1	2	3	4	5	6	7		
96 -48	MC100-24	CONTROL-CYL LOCK PLPO -----							1	
-49	S1023A8-8B NAS446-4	ATTACHING PARTS SCREW -----							2	
		NUT -----							2	
-50	1215073-1	-----*								
-51	1215073-10	HEADREST ASSY -----							AR	
-52	1215073-5	COVER ASSY-HEADREST -----							1	
-53	SEE FIG 117	CUSHION ASSY -----							1	
-54	AN4-12A	SEAT BELT & SHOULDER HARNESS INSTALLATION -----							AR	
-55	NAS43HT4-12	ATTACHING PARTS								
-56	AN960-416L	BOLT -----							2	
-57	MS21042L4	SPACER -----							2	
		WASHER -----							2	
		NUT -----							2	
		-----*								
<p>NOTE. #THIS PART MUST HAVE A SECOND DASH NUMBER ADDED TO DENOTE COLOR. REFER TO HOW TO ORDER UPHOLSTERED PARTS-PAGE VIII</p> <p>NOTE. &lt;THIS PART MUST HAVE A SECOND DASH NUMBER ADDED TO DENOTE COLOR. REFER TO HOW TO ORDER INTERIOR PARTS-PAGE IX</p> <p>A---182 SERIAL 18267301 THRU 18268055  F182 SERIAL F18200130 THRU F18200169  T182 SERIAL 18267716 THRU 18268055  B---182 SERIAL 18267301 THRU 18267715  F182 SERIAL F18200130 THRU F18200169  C---182 &amp; T182 SERIAL 18267716 THRU 18268055</p>										

# 182 & T182 Parts Catalog

FIGURE AND INDEX NO.	PART NUMBER		DESCRIPTION							UNITS PER ASSY	USABLE ON CODE
			1	2	3	4	5	6	7		
96A-	0714060-2	#	REAR SEAT INSTALLATION-INDIVIDUALLY RECLINING BACK -----							NP	A
			SEAT ASSY-REAR SPLIT BACK -----							1	
			ATTACHING PARTS								
- 1	AN3-11A		BOLT -----							1	
- 2	AN960-10L		WASHER -----							1	
- 3	AN4-5A		BOLT -----							2	
- 4	AN960-416L		WASHER -----							2	
- 5	MS21042L4		NUT -----							2	
- 6	AN4-5A		BOLT -----							2	
- 7	S1450-4-10-064		WASHER -----							2	
- 8	AN4-5A		BOLT -----							2	
- 9	S1450-4-10-064		WASHER -----							2	
			-----*								
-10	0714060-5	#	BACK ASSY-SEAT LH -----							1	
-11	0714060-6	#	BACK ASSY-SEAT RH -----							1	
			ATTACHING PARTS								
-12	AN3-11A		BOLT -----							2	
-13	S2559-4-1-0770		SPACER -----							2	
-14	MS21044N3		NUT -----							2	
-15	AN3-26A		BOLT -----							1	
-16	S2559-4-1-2500		SPACER -----							1	
-17	NAS43HT4-64		SPACER -----							1	
-18	NAS43HT6-20		SPACER -----							1	
-19	AN960-10L		WASHER -----							1	
-20	MS21044N3		NUT -----							1	
			-----*								
CONTINUED ON NEXT PAGE											

# 182 & T182 Parts Catalog

Seats (Cont)



182 & T182 SERIAL 18268056 & ON

Figure 96A. Rear Seat Assembly



# 182 & T182 Parts Catalog

FIGURE AND INDEX NO.	PART NUMBER		DESCRIPTION							UNITS PER ASSY	USABLE ON CODE	
			1	2	3	4	5	6	7			
96A-21	0714060-14	#									1	
-22	0714060-15	#									1	
-23	0714060-12										1	
-24	0714060-11										1	
-25	0714060-13										1	
-26	0714060-20										1	
-27	0514110-1										2	
-28	0714023-3										1	
-29	0714023-4										1	
-30	S1021A-6										10	
-31	0714060-16	#									1	
-32	0714060-9	#									1	
-33	0714060-10										1	
-34	2214015-1										1	
-35	2214012-2										1	
	S102A4-8										3	
-36	2414014-4										1	
-37	2414014-3										2	
-38	AN4-13A										1	
-39	AN960-416L										1	
-40	MS21044N4										1	
-41	C165031-0101										2	
-42	NA3-12A										2	
-43	S2559-4-1-0850										2	
-44	AN960-10L										2	
-45	MS21044N3										2	
-46	AN3-35A										1	
-47	S2559-4-1-3250										1	
-48	AN960-10L										1	
-49	MS21044N3										1	
-50	MC100-24										1	
-51	S1023A8-8B										2	
	NAS446-4										2	
-52												
-53	1215073-1										AR	
-54	1215073-10										1	
-55	1215073-5										1	
-56	SEE FIG 117										AR	
-57	AN4-12A										2	
-58	NAS43HT4-12										2	
	AN960-416L										2	
	MS21042L4										2	
-59	2214016-2										1	
	S1071-5										1	

NOTE. #THIS PART MUST HAVE A SECOND DASH NUMBER  
ADDED TO DENOTE COLOR. REFER TO  
HOW TO ORDER UPHOLSTERED PARTS. PAGE XII

A---182 & T182 SERIAL 18268056 & ON

# 182 & T182 Parts Catalog

Seat (Cont)

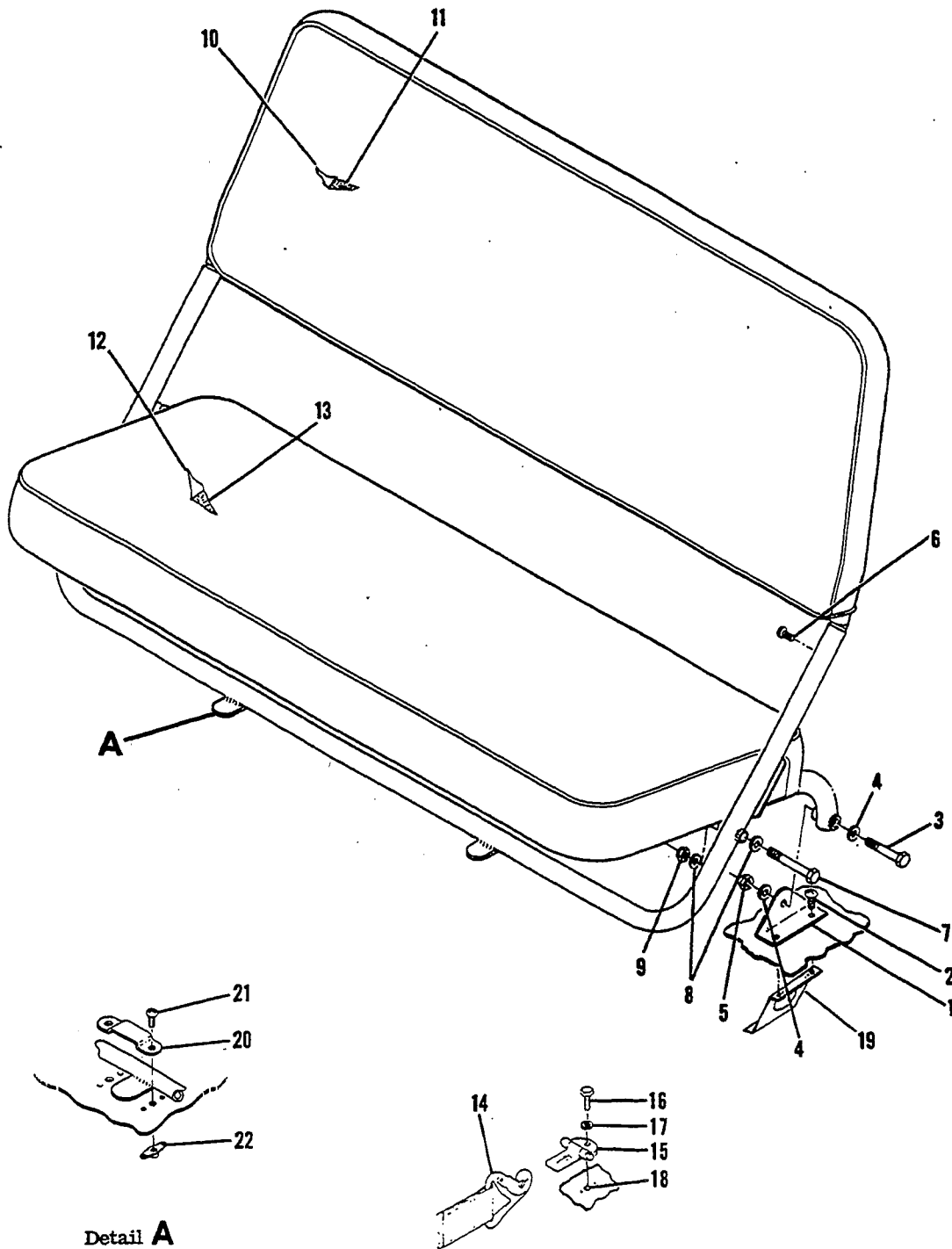


Figure 97. Auxiliary Seat Installation

# 182 & T182 Parts Catalog

FIGURE AND INDEX NO.	PART NUMBER		DESCRIPTION							UNITS PER ASSY	USABLE ON CODE
			1	2	3	4	5	6	7		
97 -			<b>AUXILIARY SEAT INSTALLATION -----</b>							NP	A
	0714005-1	#	SEAT ASSY-AUXILIARY -----							1	B
	0714022-1	#	SEAT ASSY-AUXILIARY -----							1	C
	0714022-4	#	SEAT ASSY-AUXILIARY -----							1	D
	0714022-7	#	SEAT ASSY-AUXILIARY -----							1	F
	0714050-1	#	SEAT ASSY-AUXILIARY -----							1	H
	0714050-4	#	SEAT ASSY-AUXILIARY -----							1	J
			<b>ATTACHING PARTS</b>								
- 1	0514042-1		BRACKET-SEAT MOUNT -----							2	
- 2	AN515-8R8		SCREW -----							4	
- 3	AN4-13A		BOLT -----							2	
- 4	AN916-416		WASHER -----							4	
- 5	MS21042L4		NUT -----							2	
			*-----								
- 6	S1021Z8-8C		SCREW -----							2	
- 7	AN4-17A		BOLT -----							2	
- 8	AN960-416		WASHER -----							4	
- 9	MS21042L4		NUT -----							2	
-10	0714005-3	#	COVER ASSY-SEAT BACK -----							1	B
	0714022-3	#	COVER ASSY-SEAT BACK -----							1	C
	0714022-6	#	COVER ASSY-SEAT BACK -----							1	D
	0714022-9	#	COVER ASSY-SEAT BACK -----							1	F
	0714050-3	#	COVER ASSY-SEAT BACK -----							1	H
	0714050-6	#	COVER ASSY-SEAT BACK -----							1	J
-11	0515002-9		CUSHION-SEAT BACK -----							1	
-12	0714005-4	#	COVER ASSY-SEAT BOTTOM -----							1	B
	0714022-2	#	COVER ASSY-SEAT BOTTOM -----							1	C
	0714022-5	#	COVER ASSY-SEAT BOTTOM -----							1	D
	0714022-8	#	COVER ASSY-SEAT BOTTOM -----							1	F
	0714050-2	#	COVER ASSY-SEAT BOTTOM -----							1	H
	0714050-5	#	COVER ASSY-SEAT BOTTOM -----							1	J
-13	0515002-10		CUSHION-SEAT BOTTOM -----							1	
-14	S1746CC5		SAFETY BELT ASSY BROWN -----							1	E
	S1746BB5		SAFETY BELT ASSY BLUE -----							1	F
	S1746AA5		SAFETY BELT ASSY GREEN -----							1	F
	S1746T5		SAFETY BELT ASSY RED -----							1	F
	S1746DD5		SAFETY BELT ASSY GOLD -----							1	F
	S1746B5		SAFETY BELT ASSY BLACK -----							1	F
	S1746CC5		SEAT BELT ASSY CHESTNUT BROWN -----							1	G
	S1746FF5		SEAT BELT ASSY SAPPHIRE BLUE -----							1	G
	S1746GG5		SEAT BELT ASSY ORO GREEN -----							1	G
	S1746EE5		SEAT BELT ASSY RUBY RED -----							1	G
	S1746HH5		SEAT BELT ASSY TOPAZ GOLD -----							1	G
	S1746B5		SEAT BELT ASSY BLACK -----							1	G
	S1746CC5		SEAT BELT ASSY CHESTNUT BROWN -----							1	H
	S1746JJ5		SEAT BELT ASSY DUTCH BLUE -----							1	H
	S1746Z5		SEAT BELT ASSY HUNTER RED -----							1	H
	S1746KK5		SEAT BELT ASSY MAIZE -----							1	H
	S1746B5		SEAT BELT ASSY BLACK -----							1	H
	S1746CC5		SEAT BELT ASSY BROWN -----							1	H
	S1746JJ5		SEAT BELT ASSY BLUE -----							1	K
	S1746MM5		SEAT BELT ASSY BEIGE -----							1	K
	S1746NN5		SEAT BELT ASSY GREEN -----							1	K
	S1746Z5		SEAT BELT ASSY RED -----							1	K
	S1746LL5		SEAT BELT ASSY RUST -----							1	K
	S1746B5		SEAT BELT ASSY BLACK -----							1	K
			SEAT BELT ASSY GOLD -----							1	L
			SEAT BELT ASSY BLUE -----							1	L
			SEAT BELT ASSY BEIGE -----							1	L
			SEAT BELT ASSY RUST -----							1	L
			SEAT BELT ASSY RED -----							1	L
			SEAT BELT ASSY GRAY -----							1	L
			SEAT BELT ASSY BLACK -----							1	L
			SEAT BELT ASSY BROWN -----							1	L
			SEAT BELT ASSY BURGUNDY -----							1	L
			<b>ATTACHING PARTS</b>								
-15	0711083-1		LATCH ASSY-SEAT BELT -----							2	
-16	AN4-6A		BOLT -----							2	
-17	AN960-416		WASHER -----							2	
-18	MS21042L4		NUT -----							2	
			*-----								

CONTINUED ON NEXT PAGE

# 182 & T182 Parts Catalog

FIGURE AND INDEX NO.	PART NUMBER	DESCRIPTION							UNITS PER ASSY	USABLE ON CODE
		1	2	3	4	5	6	7		
97 -19	0711775-1 0711854-1 0711854-4 NAS679A08K 0715026-1	REINFORCEMENT ASSY WEU 0711854-1 LH & 0711854-4 RH ----- REINFORCEMENT ASSY-LH ----- REINFORCEMENT ASSY-RH ----- NUTPLATE ----- RETAINER ----- ATTACHING PARTS ----- SCREW ----- NUT ----- ----*----							2 1 1 2 2  2 2	
-20										
-21	AN515-8RB									
-22	NAS686A08									
		NOTE. #THIS PART MUST HAVE A SECOND DASH NUMBER ADDED TO DENOTE COLOR. REFER TO HOW TO ORDER UPHOLSTERED PARTS-PAGE XII.								
		A---182 SERIAL 18262466 & ON F182 SERIAL F18200001 THRU F18200169 T182 SERIAL 18267716 & ON B---182 SERIAL 18262466 THRU 18263475 C---182 SERIAL 18263476 THRU 18264295 D---182 SERIAL 18264296 THRU 18265175 F182 SERIAL F18200001 THRU F18200025 E---182 SERIAL 18262466 THRU 18264295 F---182 SERIAL 18265176 THRU 18265965 F182 SERIAL F18200026 THRU F18200064 G---182 SERIAL 18264296 THRU 18265965 F182 SERIAL F18200001 THRU F18200064 H---182 SERIAL 18265966 THRU 18266590 F182 SERIAL F18200065 THRU F18200094 J---182 SERIAL 18266591 & ON F182 SERIAL F18200095 THRU F18200169 T182 SERIAL 18267716 & ON K---182 SERIAL 18266591 THRU 18268368 F182 SERIAL F18200095 THRU F18200169 T182 SERIAL 18267716 THRU 18268368 L---182 & T182 SERIAL 18268369 & ON								

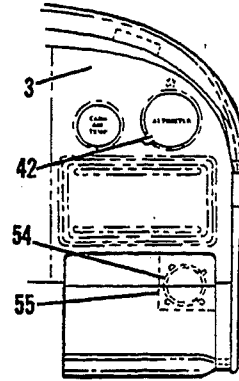
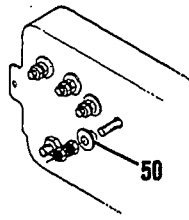
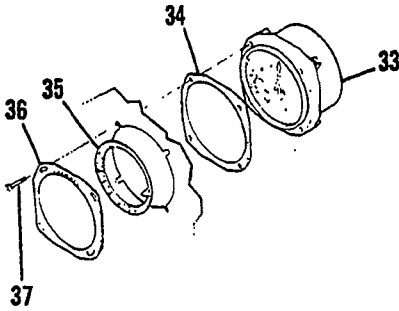
# 182 & T182 Parts Catalog

FIGURE AND INDEX NO.	PART NUMBER	DESCRIPTION							UNITS PER ASSY	USABLE ON CODE
		1	2	3	4	5	6	7		
98 -		INSTRUMENT PANEL EQUIPMENT INSTALLATION -----							NP	A
- 1	SEE FIG 100	INSTRUMENT PANEL ASSY-STATIONARY -----							1	
	SEE FIG 100	PANEL-SHOCK MOUNTED -----							1	
- 2	0713484-1 <	COVER ASSY-UPPER RH PANEL -----							1	
- 3	0713484-5 <	COVER ASSY-UPPER RH PANEL DUAL ALTIMETER INSTL ONLY -----							1	
- 4	1213163-2	LAP SEAL -----							1	
- 5	1513839-3	GUIDE -----							7	
- 6	0713330-3	COVER-INSTRUMENT PANEL LWR RH -----							1	
		ATTACHING PARTS								
	S1021Z6-6	SCREW -----							3	
	NAS446-2-1	NUT -----							3	
		*-----								
- 7	SEE FIG 111	MAP COMPARTMENT INSTALLATION -----							1	
- 8	1213363-6	PANEL ASSY-LOWER RH ELECTROLUMINESCENT -----							1	
- 9	0713337-1	PANEL ASSY-LOWER LH SWITCH ELECTROLUMINESCENT -----							1	
		ATTACHING PARTS								
-10	S1022Z4-8	SCREW -----							1	
		*-----								
	SEE FIG 184	POWER SUPPLY & DIMMING-ELECTROLUMINESCENT -----							1	
-11	0713525-15	COVER ASSY-INSTRUMENT PANEL LOWER -----							1	
		ATTACHING PARTS								
	S1021A6-6	SCREW -----							8	
		*-----								
-12	0713955-1	KNEE BUMPER-LH -----							1	
-13	1213317-7	KNEE BUMPER-INBD RH -----							1	
-14	0713483-5 <	COVER ASSY-INSTRUMENT PANEL LH -----							1	
-15	1513839-3	GUIDE -----							5	
-16	1513839-5	GUIDE -----							2	
-17	1213335-4	LAP SEAL -----							1	
-18	1213381-1 <	COVER ASSY-RADIO CUTOUT -----							1	
		ATTACHING PARTS								
	S1021A4-6	SCREW -----							4	
		*-----								
-19	1213377-1 <	COVER-CENTER PANEL -----							1	
		ATTACHING PARTS								
	S1021A4-6	SCREW -----							2	
		*-----								
-20	1213365-1	BRACKET ASSY-SWITCH MOUNTING -----							1	B
-20A	1213398-1	BRACKET ASSY-SWITCH MOUNTING -----							1	C
	NAS697A08	NUTPLATE -----							2	
-21	1213366-1 <	COVER-SWITCH MOUNTING BRACKET -----							1	B
-21A	1213399-1 <	COVER-SWITCH MOUNTING BRACKET -----							1	C
		ATTACHING PARTS								
-22	S1021Z6-8B	SCREW -----							4	B
	S1021Z6-6B	SCREW -----							4	C
		*-----								
-23	0713325-1	GLARE SHIELD ASSY -----							1	B
-23A	0713169-1	GLARE SHIELD ASSY -----							1	C
		ATTACHING PARTS								
-24	AN525-832R10	SCREW -----							1	
-25	AN525-832R8	SCREW -----							6	
-26	AN515B8R8	SCREW -----							6	
	S1450-3A8-032	WASHER -----							6	
-27	AN515B8R12	SCREW -----							2	
		*-----								
	SEE FIG 186	LIGHT INSTALLATION-GLARE SHIELD -----							1	
-28	1213004-2	RETAINER-AIRCRAFT IDENTIFICATION NUMBER -----							1	
		ATTACHING PARTS								
	S1022Z6-8	SCREW -----							2	
	NAS446-2-1	NUT -----							2	
		*-----								
	SEE FIG 3	PLACARD-IDENTIFICATION NUMBER -----							1	
-29	S1695-2	SWITCH-MAP LIGHT -----							1	
-30	C664508-0102	CLOCK-ELECTRIC -----							1	
		ATTACHING PARTS								
	AN515B6R12	SCREW -----							3	
		*-----								

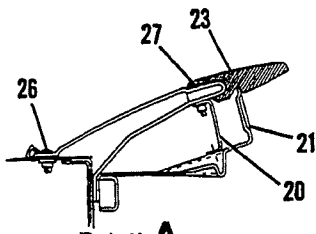
CONTINUED ON NEXT PAGE

# 182 & T182 Parts Catalog

## Instruments

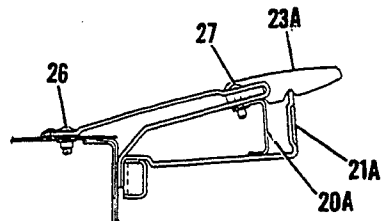


**DUAL ALTIMETER  
INSTALLATION**



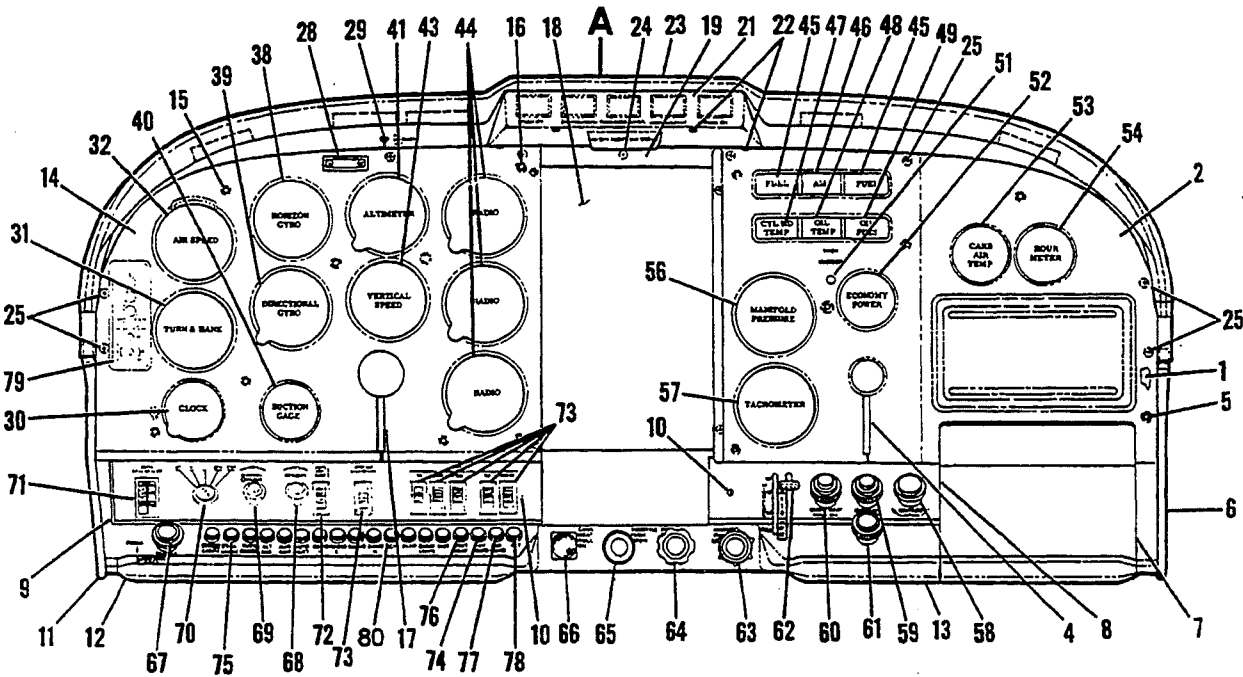
**Detail A**

**18262466 THRU 18263475**



**Detail A**

**18263476 & ON**



**182 SERIAL 18262466 THRU 18264295**

Figure 98. Instrument Panel Equipment Installation

# 182 & T182 Parts Catalog

FIGURE AND INDEX NO.	PART NUMBER	DESCRIPTION							UNITS PER ASSY	USABLE ON CODE
		1	2	3	4	5	6	7		
98 -31	S1413-1	INDICATOR-TURN & BANK WEU S1413-2 -----							1	
	S1413-2	INDICATOR-TURN & BANK -----							1	
	C661003-0504	INDICATOR-TURN COORDINATOR -----							1	
	C661003-0506 %	INDICATOR-TURN COORDINATOR ALTERNATE -----							1	
	AN515B6R12	ATTACHING PARTS -----							4	
	AN936B6B	SCREW -----							4	
		WASHER -----							4	
		*-----								
-32	C661060-0201 %	INDICATOR-AIRSPEED -----							1	
		ATTACHING PARTS -----								
	AN515B6R12	SCREW -----							4	
		*-----								
-33	C661061-0201 %	TRUE AIRSPEED INDICATOR INSTALLATION -----							NP	
-34	0700162-6	INDICATOR-AIRSPEED -----							1	
	0700162-4	SPACER .071 THICKNESS -----							AR	
	0700162-3	SPACER .063 THICKNESS -----							AR	
	0700162-7	SPACER .051 THICKNESS -----							AR	
	0700189-9	SPACER .040 THICKNESS -----							AR	
-35	0700162-1	RING ASSY TRUE AIRSPEED -----							1	
-36		RETAINER ASSY TRUE AIRSPEED -----							1	
		ATTACHING PARTS -----								
-37	AN515B6R16	SCREW -----							4	
		*-----								
-38	C661076-0102 *	GYRO-HORIZON -----							1	
	C661076-0101 *	GYRO-HORIZON ALT -----							1	
	C661076-0103 *	GYRO-HORIZON ALT -----							1	
		ATTACHING PARTS -----								
	AN515-6R6	SCREW -----							3	
		*-----								
-39	C661075-0101 **	GYRO-DIRECTIONAL -----							1	
	C661075-0103 **	GYRO-DIRECTIONAL ALT -----							1	
	C661075-0104 **	GYRO-DIRECTIONAL ALT -----							1	
	C661075-0105 **	GYRO-DIRECTIONAL WITH HEADING REFERENCE -----							1	
		ATTACHING PARTS -----								
	AN515-6R6	SCREW -----							3	
		*-----								
-40	SEE FIG 178	GYRO-DIRECTIONAL NAV-O-MATIC -----							1	
	C668540-0101	GAGE-SUCTION -----							1	
		ATTACHING PARTS -----								
	AN515B6R12	SCREW -----							4	
		*-----								
-41	C661071-0101	ALTIMETER 20,000 FT FT & INCHES -----							1	
-42	C661071-0102 ***	ALTIMETER 20,000 FT FT & MILLIBARS SKYLANE ONLY -----							1	
		ATTACHING PARTS -----								
	AN515B6R12	SCREW -----							4	
		*-----								
-43	C661080-0101	INDICATOR-VERTICAL SPEED -----							1	
		ATTACHING PARTS -----								
	AN515B6R12	SCREW -----							3	
		*-----								
-44	C669502-0201	RADIO INSTALLATION SEE AVIONICS SERVICE/PARTS MANUAL -----							NP	
	C669502-0202	INSTRUMENT CLUSTER-LIGHTED USED WITH O-470-R ENGINE ONLY -----							1	B
		INSTRUMENT CLUSTER-LIGHTED USED WITH O-470-S ENGINE ONLY -----							1	C
		ATTACHING PARTS -----								
	NAS43DD3-64	SPACER -----							2	
	AN507B832R24	SCREW -----							2	
	AN340B8	NUT -----							2	
		*-----								
-45	441344	GAGE-FUEL SW -----							2	
-46	440437	AMMETER SW -----							1	
-47	G442702	GAGE-CYLINDER HEAD TEMP SW -----							1	
-48	442785	GAGE-OIL TEMP SW USED WITH O-470-R ENGINE ONLY -----							1	B
	G442786-63	GAGE-OIL TEMP SW USED WITH O-470-S ENGINE ONLY -----							1	C
-49	G444627	GAGE-OIL PRESSURE SW -----							1	
-50	401627	WASHER-INSULATOR SW -----							1	
	S1372-1	SENDING UNIT-CYLINDER HEAD TEMP -----							1	
	110691	WIRE-CYLINDER HEAD TEMP GAGE TO SENDING -----							AR	
		UNIT 106.00 IN LG BKI -----								
	811542	POTENTIOMETER SW -----							1	
	S1894-3	BULB-INSTRUMENT CLUSTER RED -----							4	
	S1894-1	BULB-INSTRUMENT CLUSTER CW GE WITH POST LIGHTS -----							4	
	S1941-1	FILTER-LIGHT USED WITH POST LIGHTING -----							4	

CONTINUED ON NEXT PAGE

# 182 & T182 Parts Catalog

FIGURE AND INDEX NO.	PART NUMBER	DESCRIPTION	UNITS PER ASSY							USABLE ON CODE	
			1	2	3	4	5	6	7		
98 -51	S2519-1	LIGHT ASSY-HIGH VOLTAGE -----								1	
	C668501-0205	INDICATOR KIT-EXHAUST GAS TEMP -----								1	
-52	C668501-0211	INDICATOR-EXHAUST GAS TEMP -----								1	
	AN515B6R12	ATTACHING PARTS -----								4	
	NAS487-21	SCREW -----								4	
		NUT -----								4	
		-----*									
	C668501-0204	PROBE-EXHAUST GAS TEMP -----								1	
	C668501-0206	LEAD-THERMOCOUPLE EXHAUST GAS TEMP -----								1	
-53	S1311-3	GAGE-CARBURETOR AIR TEMP -----								1	
	AN507B632R12	ATTACHING PARTS -----								4	
	NAS487-21	SCREW -----								4	
		NUT -----								4	
		-----*									
-54	C664501-0103	GAGE-HOURMETER -----								1	
	AN507B632R6	ATTACHING PARTS -----								4	
	NAS679A06	SCREW -----								4	
	1200749-1	NUT -----								4	
-55		BRACKET-HOURMETER MOUNTING USED WITH DUAL -----								1	
		ALTIMETER INSTL -----								1	
		-----*									
-56	C662035-0101	GAGE-MANIFOLD PRESSURE -----								1	
	AN515B6R12	ATTACHING PARTS -----								4	
		SCREW -----								4	
		-----*									
	0700099-84	LINE ASSY-MANIFOLD PRESSURE -----								1	
	AN818-2D	NIPPLE -----								1	
-57	C668020-0104	TACHOMETER USE WITH S1605-2 TACH SHAFT -----								1	
	C668020-0204	TACHOMETER USE WITH S2550-2 TACH SHAFT -----								1	
	AN515B6R12	ATTACHING PARTS -----								4	
		SCREW -----								4	
		-----*									
	S1605-2	SHAFT-TACHOMETER USED WITH C668020-0104 ONLY -----								1	
	S2550-2	SHAFT-TACHOMETER USED WITH C668020-0204 ONLY -----								1	
-58	S1268-14	CONTROL ASSY-DEFROST -----								1	
-59	S1241-36	CONTROL ASSY-CABIN AIR -----								1	
-60	S1241-37	CONTROL ASSY-CABIN HEAT -----								1	
-61	0513052-17	LIGHTER ASSY-CIGAR -----								1	
	L4858-1	PLUG-HEATING CUE -----								1	
	S1982-1	KNOB ASSY-LIGHTER -----								1	
	60232-1	CIRCUIT BREAKER-LIGHTER ASSY CUE -----								1	
-62	SEE FIG 164	FLAP CONTROL DETAIL INSTL -----								1	
-63	S1234-5	CONTROL ASSY-MIXTURE -----								1	
-64	C299506-0102	CONTROL ASSY-PROPELLER -----								1	
	S1450-19A16-050	WASHER-PROPELLER CONTROL -----								1	
	NAS43DD12-64	SPACER-PROPELLER CONTROL -----								1	
-65	C299505-0205	CONTROL ASSY-THROTTLE -----								1	
-66	S1230-10	CONTROL ASSY-CARBURETOR HEAT -----								1	
-67	C291502-0106	PRIMER ASSY-ENGINE -----								1	
	S1974-1	KNOB ASSY-PRIMER -----								1	
-68	S1980-1	KNOB ASSY-INSTRUMENT DIMMING LIGHT -----								1	
	S1904-3	RESISTOR-VARIABLE -----								1	
	VAL5/600D	RESISTOR-INSTRUMENT DIMMING -----								1	
-69	S1995-4	KNOB ASSY-RADIO LIGHTS -----								1	
	AN565B2H3	ATTACHING PARTS -----								1	
	AN565B2-3	SCREW -----								1	
		SCREW ALT -----								1	
		-----*									
	S2091-1	RESISTOR-VARIABLE TANDEM -----								1	
	270HM1/2W	RESISTOR-RADIO LIGHTS -----								1	
-70	C292501-0104	KIT-IGNITION SWITCH -----								1	
-71	S1994-1-1	SWITCH-MASTER -----								1	
	0770719-2	DIODE ASSY-MASTER SWITCH -----								1	
-72	S2160-2	SWITCH-CONSOLE LIGHTS -----								1	
-73	S2160-1	SWITCH-INSTRUMENT PANEL -----								6	
	S2161-1	COVER ASSY-SWITCH CUTOUT USE WHEN OPTIONAL -----								4	
		SWITCHES ARE NOT INSTALLED -----									

CONTINUED ON NEXT PAGE

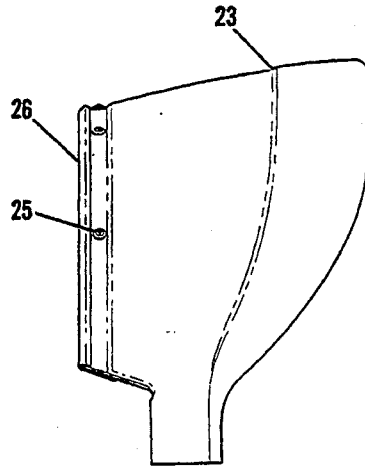
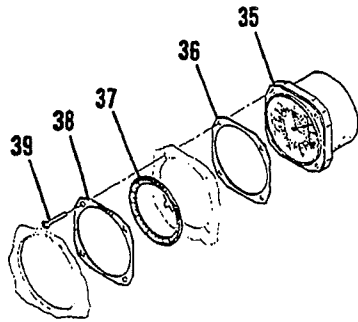


# 182 & T182 Parts Catalog

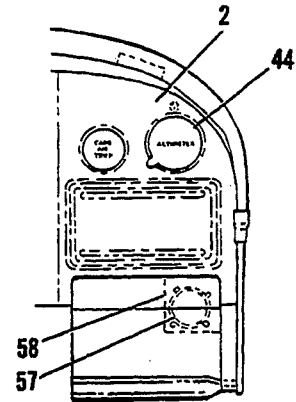
FIGURE AND INDEX NO.	PART NUMBER	DESCRIPTION							UNITS PER ASSY	USABLE ON CODE	
		1	2	3	4	5	6	7			
98 -74 -75 -76 -77 -78    -79 -80	S1360-10L	CIRCUIT BREAKER	10	AMP	-----	-----	-----	-----	5	D E	
	S1360-5L	CIRCUIT BREAKER	5	AMP	-----	-----	-----	-----	3		
	S1360-15L	CIRCUIT BREAKER	15	AMP	-----	-----	-----	-----	2		
	S1360-20L	CIRCUIT BREAKER	20	AMP	-----	-----	-----	-----	1		
	S1360-60	CIRCUIT BREAKER	60	AMP	-----	-----	-----	-----	1		
	1213716-1	PLUG BUTTON ASSY	USED WHEN CIRCUIT BREAKER NOT INSTALLED								AR
	0713854-1	BUS BAR-CENTER	-----	-----	-----	-----	-----	-----	1		
	0713854-2	BUS BAR-RH	-----	-----	-----	-----	-----	-----	1		
	0713854-4	BUS BAR-LH	-----	-----	-----	-----	-----	-----	1		
	SEE FIG 3	PLACARD-MARKER BEACON	-----	-----	-----	-----	-----	-----	1		
	S1360-10L	CIRCUIT BREAKER	10	AMP	-----	-----	-----	-----	1		
	S1360-15L	CIRCUIT BREAKER	15	AMP	-----	-----	-----	-----	1		
	<p>NOTE. &lt; THIS PART MUST HAVE A SECOND DASH NUMBER ADDED TO DENOTE COLOR. REFER TO HOW TO ORDER INTERIOR PARTS-PAGE XIII.</p> <p>NOTE. * THESE GYROS ARE PHYSICALLY &amp; FUNCTIONALLY INTERCHANGEABLE.</p> <p>NOTE. ** THESE GYROS ARE PHYSICALLY &amp; FUNCTIONALLY INTERCHANGEABLE.</p> <p>NOTE. *** USED AS SECOND ALTIMETER FOR FOR DUAL ALTIMETER INSTALLATION.</p> <p>NOTE. % AN EXCHANGE PART IS ALSO AVAILABLE REFER TO THE MASTER PRICE LIST.</p> <p>A---182 SERIAL 18262446 THRU 18264295            B---182 SERIAL 18262446 THRU 18263475            C---182 SERIAL 18263476 THRU 18264295            D---182 SERIAL 18262466 THRU 18263940            E---182 SERIAL 18263941 THRU 18264295</p>										

# 182 & T182 Parts Catalog

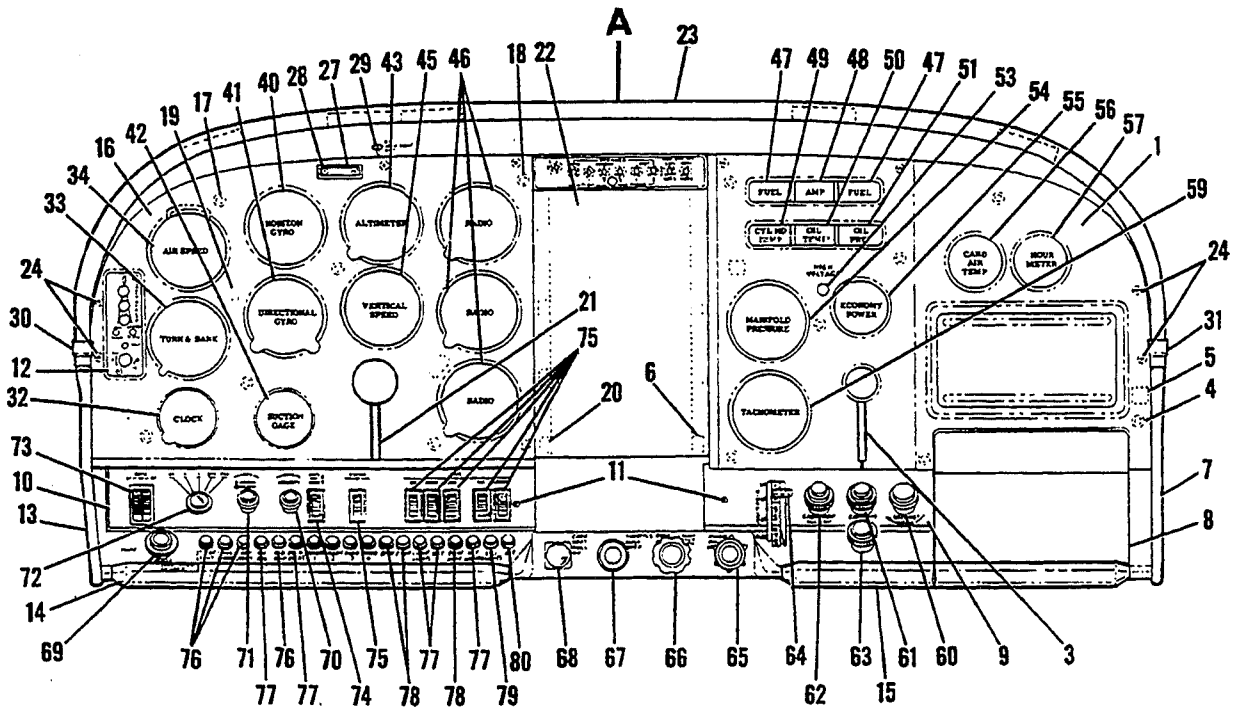
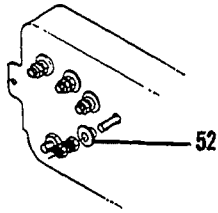
## Instruments (Cont)



Detail A



**DUAL ALTIMETER  
INSTALLATION**



182 SERIAL 18264296 THRU 18265175  
 F182 SERIAL F18200001 THRU F18200025

Figure 99. Instrument Panel Equipment Installation

# 182 & T182 Parts Catalog

FIGURE AND INDEX NO.	PART NUMBER	DESCRIPTION							UNITS PER ASSY	USABLE ON CODE
		1	2	3	4	5	6	7		
99 -		INSTRUMENT PANEL EQUIPMENT INSTALLATION -----							NP	A
	SEE FIG 101	INSTRUMENT PANEL ASSY-STATIONARY -----							1	
	SEE FIG 101	PANEL-SHOCK MOUNTED -----							1	
- 1	0713484-9	COVER ASSY-UPPER RH PANEL -----							1	
- 2	0713484-11	COVER ASSY-UPPER RH PANEL DUAL ALTIMETER INSTL ONLY -----							1	
- 3	1213163-2	LAP SEAL -----							1	
- 4	1513839-3	GUIDE -----							7	
- 5	1213327-7	FASTENER -----							2	
- 6	1213327-10	FASTENER -----							5	
- 7	0713330-3	COVER-INSTRUMENT PANEL LWR RH -----							1	
		ATTACHING PARTS -----								
	S102126-6	SCREW -----							3	
	NAS446-2-1	NUT -----							3	
		*-----								
- 8	SEE FIG 113	MAP COMPARTMENT INSTALLATION -----							1	
- 9	1213363-11	PANEL ASSY-LOWER RH ELECTROLUMINESCENT -----							1	
- 10	0713337-1	PANEL ASSY-LOWER LH SWITCH ELECTROLUMINESCENT -----							1	
		ATTACHING PARTS -----								
- 11	S102274-8	SCREW -----							1	
		*-----								
- 12	1213757-1	PANEL-MARKER BEACON ELECTROLUMINESCENT -----							1	
	SEE FIG 184	POWER SUPPLY & DIMMING-ELECTROLUMINESCENT -----							1	
- 13	0713525-19	COVER ASSY-INSTRUMENT PANEL LOWER -----							1	
		ATTACHING PARTS -----								
	S1021A6-6	SCREW -----							8	
		*-----								
- 14	0713955-1	KNEE BUMPER-LH -----							1	
- 15	1213317-7	KNEE BUMPER-INBD RH -----							1	
- 16	0713488-1	COVER ASSY-UPPER LH -----							1	
- 17	1513839-3	GUIDE -----							5	
- 18	1513839-5	GUIDE -----							2	
- 19	1213327-1	FASTENER -----							2	
- 20	1213327-10	FASTENER -----							5	
- 21	1213335-4	LAP SEAL -----							1	
- 22	1213756-1	COVER ASSY-RADIO STACK -----							1	
		FASTENER -----							10	
- 23	0713993-1	GLARESHIELD ASSY -----							1	
		ATTACHING PARTS -----								
- 24	AN525-832R8	SCREW -----							8	
- 25	AN515B8R8	SCREW -----							6	
	S1450-3A8-032	WASHER -----							6	
		*-----								
- 26	0713993-5	TRIM-GLARESHIELD -----							1	
	SEE FIG 186	LIGHT INSTALLATION-GLARESHIELD -----							1	
- 27	1213004-2	RETAINER-AIRCRAFT IDENTIFICATION -----							1	
		ATTACHING PARTS -----								
- 28	S102276-8	SCREW -----							2	
	NAS446-2-1	NUT -----							2	
		*-----								
	SEE FIG 3	PLACARD-IDENTIFICATION -----							1	
- 29	S1695-2	SWITCH-MAP LIGHT -----							1	
- 30	1213957-3	SPLICE CAP LH -----							1	
- 31	1213957-4	SPLICE CAP RH -----							1	
- 32	C664508-0102	CLOCK-ELECTRIC -----							1	
		ATTACHING PARTS -----								
	AN515B6R12	SCREW -----							3	
		*-----								
- 33	S1413-2	INDICATOR-TURN & BANK -----							1	
	C661003-0504	INDICATOR-TURN COORDINATOR -----							1	
	C661003-0506	INDICATOR-TURN COORDINATOR ALTERNATE -----							1	
		ATTACHING PARTS -----								
	AN515B6R12	SCREW -----							4	
	AN936B6B	WASHER -----							4	
- 34	C661064-0204	INDICATOR-AIRSPPEED -----							1	
		ATTACHING PARTS -----								
	AN515B6R12	SCREW -----							4	
		*-----								
		TRUE AIRSPPEED INDICATOR INSTALLATION -----							NP	
		*-----								

CONTINUED ON NEXT PAGE

# 182 & T182 Parts Catalog

FIGURE AND INDEX NO.	PART NUMBER	DESCRIPTION	UNITS PER ASSY	USABLE ON CODE
		1 2 3 4 5 6 7		
99 -35	C661065-0204 %	INDICATOR-AIRSPPEED -----	1	
-36	0700162-3	SPACER .051 THICKNESS -----	AR	
	0700162-4	SPACER .063 THICKNESS -----	AR	
	0700162-6	SPACER .071 THICKNESS -----	AR	
	0700162-7	SPACER .040 THICKNESS -----	AR	
-37	S2234-2	RING -----	1	
-38	0700162-1	RETAINER ASSY -----	1	
		ATTACHING PARTS -----		
-39	AN515B6R16	SCREW -----	4	
		*-----		
-40	C661076-0102 *	GYRO-HORIZON -----	1	
	C661076-0103 *	GYRO-HORIZON ALT -----	1	
	C661076-0105 *	GYRO-HORIZON ALT -----	1	
		ATTACHING PARTS -----		
	AN515-6R6	SCREW -----	3	
		*-----		
-41	C661075-0101 **	GYRO-DIRECTIONAL -----	1	
	C661075-0103 **	GYRO-DIRECTIONAL ALT -----	1	
	C661075-0106 **	GYRO-DIRECTIONAL ALT -----	1	
	C661075-0105 **	GYRO-DIRECTIONAL WITH HEADING REFERENCE -----	1	
	C661075-0107 **	GYRO-DIRECTIONAL ALT FOR C661075-0105 -----	1	
		ATTACHING PARTS -----		
	AN515-6R6	SCREW -----	3	
		*-----		
-42	SEE FIG 178	GYRO-DIRECTIONAL NAV-O-MATIC -----	1	
	C668540-0101	GAGE-SUCTION -----	1	
		ATTACHING PARTS -----		
	AN515B6R12	SCREW -----	4	
		*-----		
-43	C661071-0101	ALTIMETER 20,000 FT FT & INCHES -----	1	
	C661025-0102	ALTIMETER 35,000 FT MILLIBARS 20 FT INCREMENTS -----	1	
-44	C661071-0102 ***	ALTIMETER 20,000 FT FT & MILLIBARS -----	1	
		ATTACHING PARTS -----		
	AN515B6R12	SCREW -----	4	
		*-----		
-45	C661080-0101	INDICATOR-VERTICAL SPEED -----	1	
		ATTACHING PARTS -----		
	AN515B6R12	SCREW -----	3	
		*-----		
-46		RADIO INSTALLATION SEE AVIONICS SERVICE/PARTS MANUAL -----	NP	
	C669502-0202	INSTRUMENT CLUSTER-LIGHTED -----	1	
		ATTACHING PARTS -----		
	NAS43DD3-64	SPACER -----	2	
	AN507B832R24	SCREW -----	2	
	AN340B8	NUT -----	2	
		*-----		
-47	G441344	GAGE-FUEL SW -----	2	
-48	G440437	AMMETER SW -----	1	
-49	G442702	GAGE-CYLINDER HEAD TEMP SW -----	1	
-50	G442786-63	GAGE-OIL TEMP SW -----	1	
-51	G444627	GAGE-OIL PRESSURE SW -----	1	
-52	401627	WASHER-INSULATOR SW -----	1	
	S1372-1	SENDING UNIT-CYLINDER HEAD TEMP -----	1	
	110691	WIRE-CYLINDER HEAD TEMP GAGE TO SENDING UNIT 106.00 IN LG BKI -----	AR	
	811542	POTENTIOMETER SW -----	1	
	S1894-3	BULB-INSTRUMENT CLUSTER RED -----	4	
	S1894-1	BULB-INSTRUMENT CLUSTER CW GE WITH POST LIGHTS -----	4	
	S1941-1	FILTER-LIGHT USED WITH POST LIGHTING -----	4	
-53	S2519-1	LIGHT ASSY-HIGH VOLTAGE -----	1	
-54	C662035-0101	GAGE-MANIFOLD PRESSURE -----	1	
	0700099-84	LINE-MANIFOLD PRESSURE -----	1	
	C668501-0205	INDICATOR KIT-EXHAUST GAS TEMP -----	1	
-55	C668501-0211	INDICATOR-EXHAUST GAS TEMP -----	1	
		ATTACHING PARTS -----		
	AN515B6R12	SCREW -----	4	
	NAS487-21	NUT -----	4	
		*-----		
	C668501-0204	PROBE-EXHAUST GAS TEMP -----	1	
	C668501-0206	LEAD-THERMOCOUPLE EXHAUST GAS TEMP -----	1	

CONTINUED ON NEXT PAGE

# 182 & T182 Parts Catalog

FIGURE AND INDEX NO.	PART NUMBER	DESCRIPTION							UNITS PER ASSY	USABLE ON CODE
		1	2	3	4	5	6	7		
99 -56	S1311-3	GAGE-CARBURETOR AIR TEMP -----							1	B C
	AN507B632R12	ATTACHING PARTS -----							4	
	NAS487-21	SCREW -----							4	
		NUT -----							4	
		*-----								
-57	C664501-0103	GAGE-HOURMETER -----							1	
		ATTACHING PARTS -----							4	
	AN507B632R6	SCREW -----							4	
	MS21044N06	NUT -----							4	
-58	1200749-1	BRACKET-HOURMETER MOUNTING USED WITH DUAL -----							1	
		ALTIMETER INSTL ONLY -----							1	
		*-----								
-59	C668020-0104	TACHOMETER USED WITH S1605-2 TACH SHAFT -----							1	
	C668020-0204	TACHOMETER USED WITH S2550-2 TACH SHAFT -----							1	
		ATTACHING PART -----							4	
	AN515B6R12	SCREW -----							4	
		*-----								
	S1605-2	SHAFT-TACHOMETER USED WITH C668020-0104 ONLY -----							1	
	S2550-2	SHAFT-TACHOMETER USED WITH C668020-0204 ONLY -----							1	
-60	S1268-14	CONTROL ASSY-DEFROST -----							1	
-61	S1241-36	CONTROL ASSY-CABIN AIR -----							1	
	S1366-1	SLEEVE 16.00 IN LG -----							1	
-62	S1241-37	CONTROL ASSY-CABIN HEAT -----							1	
-63	0513052-17	LIGHTER ASSY-CIGAR -----							1	
	L4858-1	PLUG-HEATING CUE -----							1	
	S1982-1	KNOB ASSY-LIGHTER -----							1	
	60232-1	CIRCUIT BREAKER-LIGHTER ASSY CUE -----							1	
-64	SEE FIG 164	FLAP CONTROL DETAIL INSTL -----							1	
-65	S1234-5	CONTROL ASSY-MIXTURE -----							1	
-66	C299506-0102	CONTROL ASSY-PROPELLER -----							1	
	S1450-19A16-050	WASHER-PROPELLER CONTROL -----							1	
	NAS43DD12-64	SPACER-PROPELLER CONTROL -----							1	
-67	C299505-0205	CONTROL ASSY-THROTTLE -----							1	
	9863050-11	CONTROL ASSY-THROTTLE -----							1	
-68	S1230-10	CONTROL ASSY-CARBURETOR HEAT -----							1	
-69	C291502-0106	PRIMER ASSY-ENGINE -----							1	
	S1974-1	KNOB ASSY PRIMER -----							1	
-70	S1980-1	KNOB ASSY-INSTRUMENT DIMMING LIGHT -----							1	
		ATTACHING PARTS -----							1	
	AN565D8H2	SETSCREW -----							1	
		*-----								
	S1904-3	RESISTOR-VARIABLE -----							1	
	S2000B270J	RESISTOR-INSTRUMENT DIMMING -----							1	
-71	S1995-4	KNOB ASSY-RADIO LIGHTS -----							1	
		ATTACHING PARTS -----							1	
	AN565B2H3	SETSCREW -----							1	
		*-----								
	S2091-1	RESISTOR-VARIABLE TANDEM -----							1	
	VAL5-6000	RESISTOR-RADIO LIGHTS -----							1	
-72	C292501-0104	KIT-IGNITION SWITCH -----							1	
-73	S1994-1-1	SWITCH-MASTER -----							1	
	1570043-9	DIODE ASSY-MASTER SWITCH -----							1	
-74	S2160-2	SWITCH-CONSOLE LIGHTS -----							1	
-75	S2160-1	SWITCH-INSTRUMENT PANEL -----							6	
	S2161-1	COVER ASSY-SWITCH CUTOUT USED WHEN OPTIONAL -----							4	
-76	S1360-5L	CIRCUIT BREAKER 5 AMP -----							4	
-77	S1360-10L	CIRCUIT BREAKER 10 AMP -----							5	
-78	S1360-15L	CIRCUIT BREAKER 15 AMP -----							3	
-79	S1360-20L	CIRCUIT BREAKER 20 AMP -----							1	
		SWITCHES ARE NOT INSTALLED								

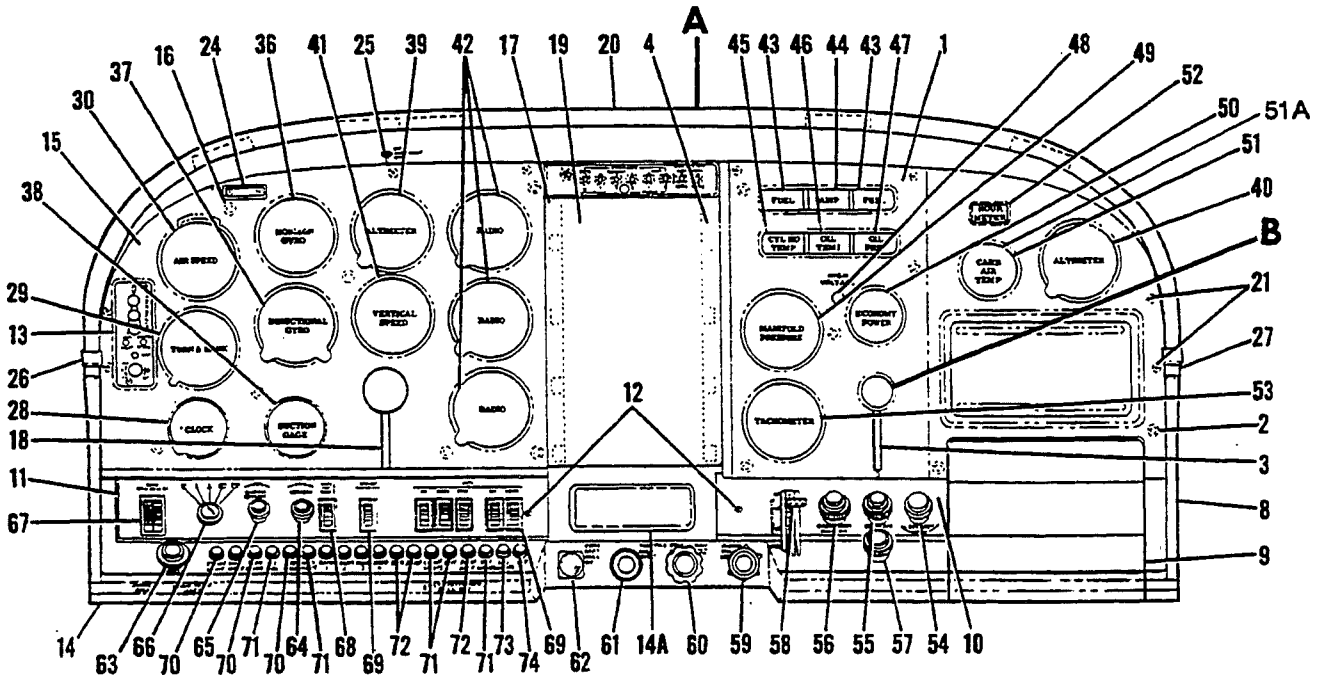
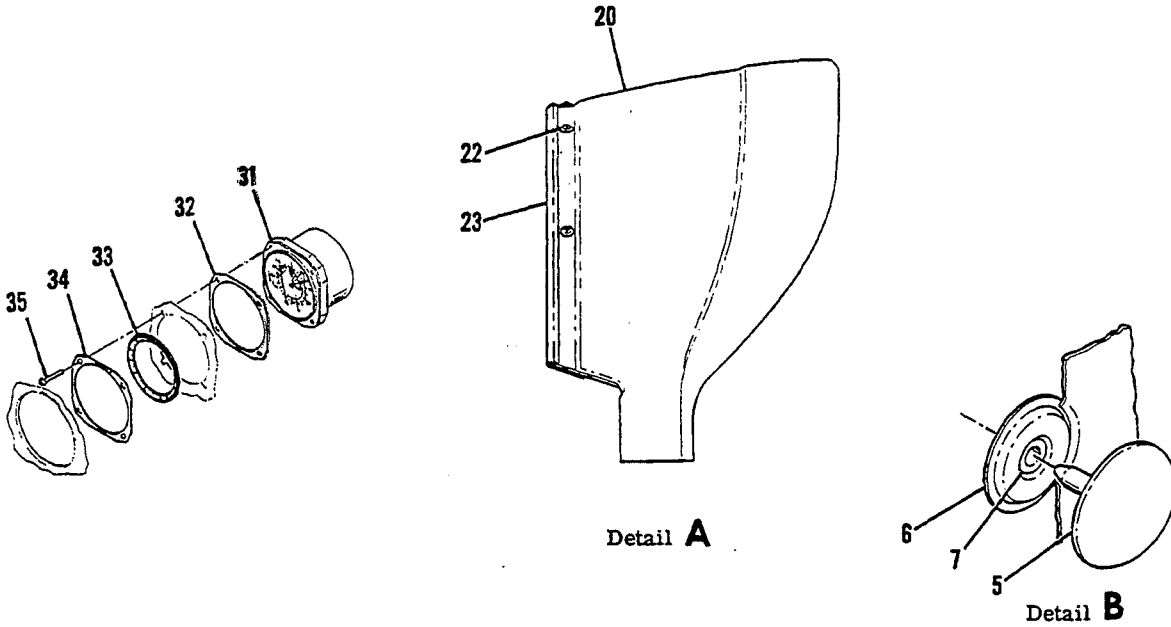
CONTINUED ON NEXT PAGE

# 182 & T182 Parts Catalog

FIGURE AND INDEX NO.	PART NUMBER	DESCRIPTION							UNITS PER ASSY	USABLE ON CODE
		1	2	3	4	5	6	7		
99 -80	S1596-60 1213716-1 0713854-1 0713854-2 0713854-4	<p>CIRCUIT BREAKER 60 AMP -----</p> <p>PLUG BUTTON ASSY USED WHEN CIRCUIT BREAKER NOT INSTALLED</p> <p>BUS BAR-CENTER -----</p> <p>BUS BAR-RH -----</p> <p>BUS BAR-LH -----</p> <p>NOTE. &lt; THIS PART MUST HAVE A SECOND DASH NUMBER ADDED TO DENOTE COLOR. REFER TO HOW TO ORDER INTERIOR PARTS-PAGE XIII.</p> <p>NOTE. * THESE GYROS ARE PHYSICALLY &amp; FUNCTIONALLY INTERCHANGEABLE.</p> <p>NOTE. ** THESE GYROS ARE PHYSICALLY &amp; FUNCTIONALLY INTERCHANGEABLE.</p> <p>NOTE. *** USED AS SECOND ALTIMETER FOR DUAL ALTIMETER INSTALLATION.</p> <p>NOTE. % AN EXCHANGE PART IS ALSO AVAILABLE REFER TO THE MASTER PRICE LIST.</p> <p>A---182 SERIAL 18264296 THRU 18265175                      B---182 SERIAL 18264296 THRU 18264835                      C---182 SERIAL 18264836 THRU 18265175                      F182 SERIAL F18200001 THRU F18200025</p>							1 AR 1 1 1	

# 182 & T182 Parts Catalog

## Instruments (Cont)



**182 SERIAL 18265176 THRU 18265965**  
**F182 SERIAL F18200026 THRU F18200064**  
 Figure 100. Instrument Panel Equipment Installation

# 182 & T182 Parts Catalog

FIGURE AND INDEX NO.	PART NUMBER	DESCRIPTION							UNITS PER ASSY	USABLE ON CODE
		1	2	3	4	5	6	7		
100 -		INSTRUMENT PANEL EQUIPMENT INSTALLATION -----							NP	A
	SEE FIG 103	INSTRUMENT PANEL ASSY-STATIONARY -----							1	
	SEE FIG 103	PANEL-SHOCK MOUNTED -----							1	
- 1	0713340-2	COVER ASSY-UPPER RH PANEL -----							1	
		ATTACHING PARTS -----								
- 2	1513174-3	NUT -----							7	
		*-----								
- 3	1213163-2	LAP SEAL -----							1	
- 4	S2092-6	FASTENER-FABRIC -----							1	
- 5	0713346-2	CAP ASSY USED WHEN RH CONTROL NOT INSTALLED -----							1	
- 6	0713346-1	BACKING ASSY USED WHEN RH CONTROL NOT INSTALLED -----							1	
- 7	MS35489-4	GROMMET -----							1	
- 8	0713345-1	COVER-INSTRUMENT PANEL LWR RH -----							1	
		ATTACHING PARTS -----								
	S102176-6	SCREW -----							3	
	NAS446-2-1	NUT -----							3	
		*-----								
- 9	SEE FIG 111	MAP COMPARTMENT INSTALLATION -----							1	
-10	1213363-11	PANEL ASSY-LOWER RH ELECTROLUMINESCENT -----							1	
-11	0713337-1	PANEL ASSY-LOWER LH SWITCH ELECTROLUMINESCENT -----							1	
		ATTACHING PARTS -----								
-12	S102274-8	SCREW -----							1	
		*-----								
-13	1213757-1	PANEL-MARKER BEACON ELECTROLUMINESCENT -----							1	
	SEE FIG 184	POWER SUPPLY & DIMMING-ELECTROLUMINESCENT -----							1	
-14	0713344-1	COVER ASSY-INSTRUMENT PANEL LWR -----							1	
		ATTACHING PARTS -----								
	S1021A6-6	SCREW -----							4	
		*-----								
-14A	1213783-1	COVER ASSY-NAVOMATIC -----							1	
-15	0713341-1	COVER ASSY-UPPER LH -----							1	
		ATTACHING PARTS -----								
-16	1513174-3	NUT -----							7	
		*-----								
-17	S2092-6	FASTENER-FABRIC -----							1	
-18	1213335-1	LAP SEAL -----							1	
-19	1213756-1	COVER ASSY-RADIO STACK -----							1	
	S2092-5	FASTENER-FABRIC 11.80 IN LG -----							2	
-20	0713993-1	GLARESHIELD ASSY -----							1	
		ATTACHING PARTS -----								
-21	AN525-832R8	SCREW -----							6	
-22	AN515B8R8	SCREW -----							6	
	S1450-3A8-032	WASHER -----							6	
		*-----								
-23	0713993-5	TRIM-GLARESHIELD -----							1	
	SEE FIG 186	LIGHT INSTALLATION-GLARESHIELD -----							1	
-24	SEE FIG 3	PLACARD-IDENTIFICATION -----							1	
-25	S1695-2	SWITCH-MAP LIGHT -----							1	
-26	1213957-3	SPLICE CAP LH -----							1	
-27	1213957-4	SPLICE CAP RH -----							1	
-28	C664508-0102	CLOCK-ELECTRIC -----							1	
		ATTACHING PARTS -----								
	AN515B6R12	SCREW -----							3	
		*-----								
-29	C661003-0504	INDICATOR-TURN COORDINATOR -----							1	
	C661003-0506	INDICATOR-TURN COORDINATOR ALTERNATE -----							1	
	S1413-2	INDICATOR-TURN & BANK -----							1	
		INDICATOR-TURN COORDINATOR NAV-O-MATIC -----							NP	
		SEE AVIONICS SERVICE/PARTS MANUAL -----								
		ATTACHING PARTS -----								
	AN515B6R12	SCREW -----							4	
	AN936B6B	WASHER -----							4	
		*-----								
-30	C661064-0212	INDICATOR-AIRSPEED -----							1	
		ATTACHING PARTS -----								
	AN515B6R12	SCREW -----							4	
		*-----								
-31	C661065-0212	TRUE AIRSPEED INDICATOR INSTALLATION -----							NP	
-32	0700162-3	INDICATOR-AIRSPEED -----							1	
	0700162-4	SPACER .051 THICKNESS -----							AR	
	0700162-6	SPACER .063 THICKNESS -----							AR	
	0700162-7	SPACER .071 THICKNESS -----							AR	
-33	S2234-2	SPACER .040 THICKNESS -----							AR	
		RING -----							1	

CONTINUED ON NEXT PAGE



# 182 & T182 Parts Catalog

FIGURE AND INDEX NO.	PART NUMBER	DESCRIPTION							UNITS PER ASSY	USABLE ON CODE
		1	2	3	4	5	6	7		
100 -34	0700162-1	RETAINER ASSY -----							1	
		ATTACHING PARTS -----								
-35	AN515B6R16	SCREW -----							4	
		-----*								
-36	C661076-0102 *	GYRO-HORIZON -----							1	
	C661076-0103 *	GYRO-HORIZON ALT -----							1	
	C661076-0105 *	GYRO-HORIZON ALT -----							1	
		ATTACHING PARTS -----								
	AN515-6R6	SCREW -----							3	
		-----*								
-37	C661075-0101 **	GYRO-DIRECTIONAL -----							1	
	C661075-0103 **	GYRO-DIRECTIONAL ALT -----							1	
	C661075-0106 **	GYRO-DIRECTIONAL ALT -----							1	
	C661075-0105 **	GYRO-DIRECTIONAL WITH HEADING REFERENCE -----							1	
	C661075-0107 **	GYRO-DIRECTIONAL ALT FOR C661075-0105 -----							1	
		ATTACHING PARTS -----								
	AN515-6R6	SCREW -----							3	
		-----*								
-38	SEE FIG 178	GYRO-DIRECTIONAL NAV-O-MATIC -----							1	
	C668540-0101	GAGE-SUCTION -----							1	
		ATTACHING PARTS -----								
	AN515B6R12	SCREW -----							4	
		-----*								
-39	C661071-0101	ALTIMETER 20,000 FT FT & INCHES -----							1	
	C661025-0102	ALTIMETER 35,000 FT MILLIBARS 20 FT INCREMENTS -----							1	
-40	C661071-0102 ***	ALTIMETER 20,000 FT FT & MILLIBARS -----							1	
		ATTACHING PARTS -----								
	AN515B6R12	SCREW -----							4	
		-----*								
-41	C661080-0101	INDICATOR-VERTICAL SPEED -----							1	
		ATTACHING PARTS -----								
	AN515B6R12	SCREW -----							3	
		-----*								
-42		RADIO INSTALLATION AVIONICS SERVICE/PARTS MANUAL -----							NP	
	1513190-13	CAP USED WHEN OPT INSTRUMENTS NOT INSTALLED -----							4	
	C669502-0202	INSTRUMENT CLUSTER-LIGHTED -----							1	
		ATTACHING PARTS -----								
	NAS43DD3-64	SPACER -----							2	
	AN507B832R24	SCREW -----							2	
	AN340BB	NUT -----							2	
		-----*								
-43	G441344	GAGE-FUEL SW -----							2	
-44	G440437	AMMETER SW -----							1	
-45	G442702	GAGE-CYLINDER HEAD TEMP SW -----							1	
-46	G442786-63	GAGE-OIL TEMP SW -----							1	
-47	G444627	GAGE-OIL PRESSURE SW -----							1	
	S1372-1	SENDING UNIT-CYLINDER HEAD TEMP -----							1	
	110691	WIRE-CYLINDER HEAD TEMP GAGE TO SENDING -----							AR	
		UNIT 106.00 IN LG BKI -----								
	811542	POTENTIOMETER SW -----							1	
	S1894-3	BULB-INSTRUMENT CLUSTER LIGHT RED -----							4	
	S1894-1	BULB-INSTRUMENT CLUSTER LIGHT CW POST LIGHTED -----							4	
	S1941-1	FILTER-LIGHT USED WITH POST LIGHTING -----							4	
-48	S2519-1	LIGHT ASSY-HIGH VOLTAGE -----							1	
-49	C662035-0101	GAGE-MANIFOLD PRESSURE -----							1	
	0700099-84	LINE-MANIFOLD PRESSURE -----							1	
	C668501-0205	INDICATOR KIT-EXHAUST GAS TEMP -----							1	
-50	C668501-0207	INDICATOR-EXHAUST GAS TEMP -----							1	
		ATTACHING PARTS -----								
	AN515B6R12	SCREW -----							4	
	NAS487-21	NUT -----							4	
		-----*								
	C668501-0204	PROBE-EXHAUST GAS TEMP -----							1	
	C668501-0206	LEAD-THERMOCOUPLE EXHAUST GAS TEMP -----							1	
-51	S1311-3	GAGE-CARBURETOR AIR TEMP -----							1	
		ATTACHING PARTS -----								
	AN507B632R12	SCREW -----							4	
	NAS487-21	NUT -----							4	
		-----*								

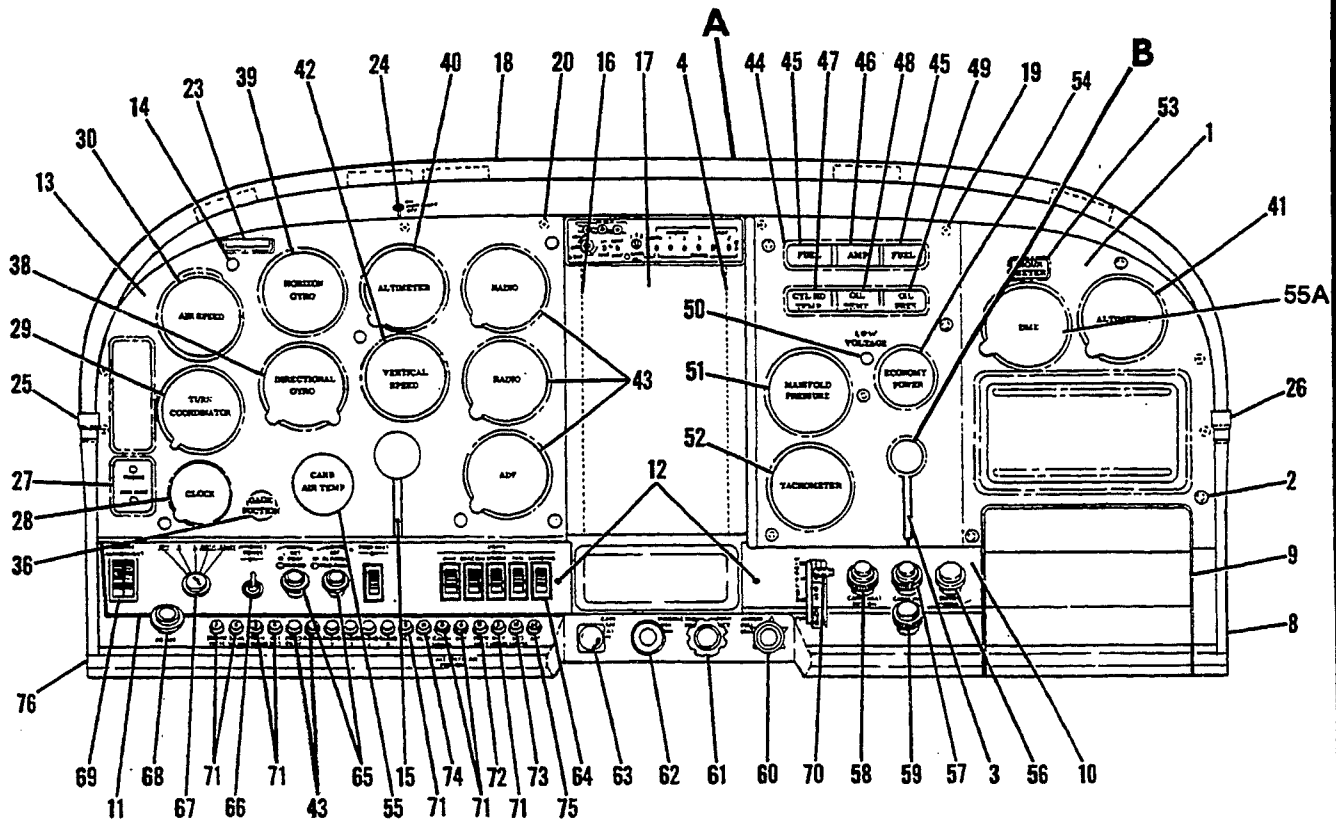
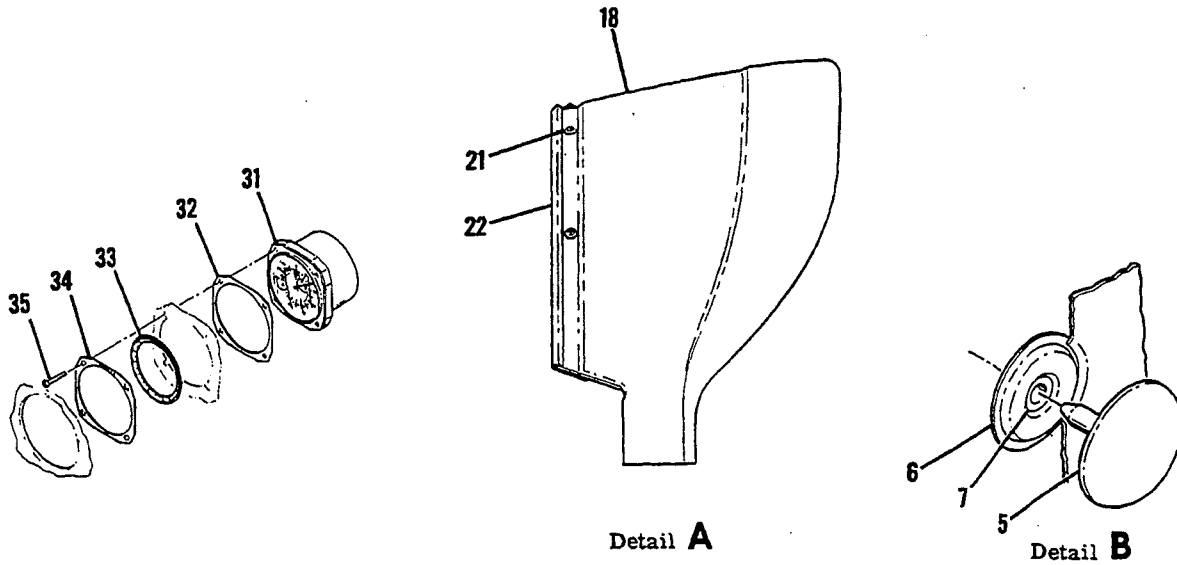
CONTINUED ON NEXT PAGE

# 182 & T182 Parts Catalog

FIGURE AND INDEX NO.	PART NUMBER	DESCRIPTION							UNITS PER ASSY	USABLE ON CODE
		1	2	3	4	5	6	7		
100 -51A -52	1513190-5	CAP USED WHEN OPT INSTRUMENTS NOT INSTALLED -----							3	
	C664502-0101	GAGE-HOURLMETER -----							1	
		ATTACHING PARTS -----								
	AN515-6R6	SCREW -----							2	
	MS21044N06	NUT -----							2	
		*-----								
		*-----								
-53	C668020-0117	TACHOMETER USED WITH S1605-2 TACH SHAFT -----							1	
	C668020-0217	TACHOMETER USED WITH S2550-2 TACH SHAFT -----							1	
	ATTACHING PARTS -----									
	AN515B6R12	SCREW -----							4	
		*-----								
	S1605-2	SHAFT-TACHOMETER USED WITH C668020-0117 ONLY -----							1	
	S2550-2	SHAFT-TACHOMETER USED WITH C668020-0217 ONLY -----							1	
-54	S1268-14	CONTROL ASSY-DEFROST -----							1	
-55	S1241-36	CONTROL ASSY-CABIN AIR -----							1	
	S1399-1	SLEEVE 16.00 IN LG -----							1	
-56	S1241-37	CONTROL ASSY-CABIN HEAT -----							1	
-57	0513052-17	LIGHTER ASSY-CIGAR -----							1	
	L4858-1	PLUG-HEATING CUE -----							1	
	S1982-1	KNOB ASSY-LIGHTER -----							1	
	60232-1	CIRCUIT BREAKER-LIGHTER ASSY CUE -----							1	
-58	SEE FIG 164	FLAP CONTROL DETAIL INSTL -----							1	
-59	9862010-1	CONTROL ASSY-MIXTURE -----							1	
-60	9862056-3	CONTROL ASSY-PROPELLER -----							1	
	S1450-19A16-050	WASHER-PROPELLER CONTROL -----							1	
	NAS43DD12-64	SPACER-PROPELLER CONTROL -----							1	
-61	9863053-5	CONTROL ASSY-THROTTLE -----							1	
-62	S1230-10	CONTROL ASSY-CARBURETOR HEAT -----							1	
-63	C291502-0106	PRIMER ASSY-ENGINE -----							1	
	S1974-1	KNOB ASSY-PRIMER -----							1	
-64	S1980-1	KNOB ASSY-INSTRUMENT DIMMING LIGHTS -----							1	
		ATTACHING PARTS -----								
	AN565D8H2	SETSCREW -----							1	
		*-----								
	S1904-3	RESISTOR-VARIABLE -----							1	
	S2000B270J	RESISTOR-INSTRUMENT DIMMING -----							1	
-65	S1995-4	KNOB ASSY-RADIO LIGHTS -----							1	
		ATTACHING PARTS -----								
	AN565B2H3	SETSCREW -----							1	
		*-----								
	S2091-1	RESISTOR-VARIABLE TANDEM -----							1	
	VAL5-6000	RESISTOR-RADIO LIGHTS -----							1	
-66	C292501-0104	KIT-IGNITION SWITCH -----							1	
-67	S1994-1-1	SWITCH-MASTER -----							1	
	1570043-9	DIODE ASSY-MASTER SWITCH -----							1	
-68	S2160-2	SWITCH-CONSOLE LIGHTS -----							1	
-69	S2160-1	SWITCH-INSTRUMENT PANEL -----							6	
	S2161-1	COVER ASSY-SWITCH CUTOUT USED WHEN OPTIONAL -----							4	
		SWITCHES ARE NOT INSTALLED -----								
-70	S1360-5L	CIRCUIT BREAKER 5 AMP -----							4	
-71	S1360-10L	CIRCUIT BREAKER 10 AMP -----							5	
-72	S1360-15L	CIRCUIT BREAKER 15 AMP -----							3	
-73	S1360-20L	CIRCUIT BREAKER 20 AMP -----							1	
-74	S1596-60	CIRCUIT BREAKER 60 AMP -----							1	
	1213716-1	PLUG BUTTON ASSY USED WHEN CIRCUIT BREAKER NOT INSTALLED -----							AR	
	0713854-1	BUS BAR-CENTER -----							1	
	0713854-2	BUS BAR-RH -----							1	
	0713854-4	BUS BAR-LH -----							1	
		NOTE. * THESE GYROS ARE PHYSICALLY & FUNCTIONALLY INTERCHANGEABLE.								
		NOTE. ** THESE GYROS ARE PHYSICALLY & FUNCTIONALLY INTERCHANGEABLE.								
		NOTE. *** USED AS SECOND ALTIMETER FOR DUAL ALTIMETER INSTALLATION.								
		NOTE. % AN EXCHANGE PART IS ALSO AVAILABLE REFER TO THE MASTER PRICE LIST.								
		A---182 SERIAL 18265176 THRU 18265965 F182 SERIAL F18200026 THRU F18200064								

# 182 & T182 Parts Catalog

## Instruments (Cont)



**182 SERIAL 18265966 THRU 18268293**  
**F182 SERIAL F18200065 THRU F18200169**

Figure 101. Instrument Panel Equipment Installation

# 182 & T182 Parts Catalog

FIGURE AND INDEX NO.	PART NUMBER	DESCRIPTION							UNITS PER ASSY	USABLE ON CODE
		1	2	3	4	5	6	7		
101 -		INSTRUMENT PANEL EQUIPMENT INSTALLATION -----							NP	A
	SEE FIG 105	INSTRUMENT PANEL ASSY-STATIONARY -----							1	
	SEE FIG 105	PANEL-SHOCK MOUNTED -----							1	
- 1	2213071-1	COVER ASSY-UPPER RH PANEL -----							1	B
	2213071-9	COVER ASSY-UPPER RH PANEL -----							1	F
	2213071-19	COVER ASSY-UPPER RH PANEL -----							1	R
	2213071-23-A59	COVER ASSY-UPPER RH PANEL GRAY -----							1	U
	2213071-23-279	COVER ASSY-UPPER RH PANEL BLACK -----							1	V
	2213071-27-A59	COVER ASSY-UPPER RH PANEL GRAY -----							1	V
	2213071-27-279	COVER ASSY-UPPER RH PANEL BLACK -----							1	V
		ATTACHING PARTS								
- 2	1513174-3	NUT GRAY -----							7	
	1513174-5	NUT BLACK -----							7	
		-----*								
- 3	1213163-2	LAP SEAL GRAY -----							1	
	1213163-1	LAP SEAL BLACK -----							1	
- 4	S2092-6	FASTENER-FABRIC 11.80 IN LG -----							1	
- 5	0713346-2	CAP ASSY USED WHEN RH CONTROL NOT INSTALLED -----							1	H
	0713346-6-A59	CAP ASSY USED WHEN RH CONTROL NOT INSTALLED GRAY -----							1	G
	0713346-6-279	CAP ASSY USED WHEN RH CONTROL NOT INSTALLED BLACK -----							1	G
- 6	0713346-1	BACKING ASSY USED WHEN RH CONTROL NOT INSTALLED -----							1	
- 7	MS35489-4	GROMMET -----							1	
- 8	0713345-1	COVER-INSTRUMENT PANEL LWR RH -----							1	U
		ATTACHING PARTS								
	S102176-6	SCREW -----							3	U
	NAS446-2-1	NUT -----							3	U
		-----*								
- 9	SEE FIG 111	MAP COMPARTMENT -----							1	
-10	1213363-14	PANEL-LWR RH -----							1	
	1213363-13	PANEL-LWR RH ELECTROLUMINESCENT -----							1	
-11	0713577-2	PANEL-LWR LH SWITCH -----							1	
	0713577-1	PANEL-LWR LH SWITCH ELECTROLUMINESCENT -----							1	
		ATTACHING PARTS								
-12	S102224-8	SCREW -----							1	
		-----*								
-13	2213073-1	COVER ASSY-UPPER LH -----							1	H
	2213073-25	COVER ASSY-UPPER LH -----							1	R
	2213073-55-A59	COVER ASSY-UPPER LH GRAY -----							1	S
	2213073-55-279	COVER ASSY-UPPER LH BLACK -----							1	S
		ATTACHING PARTS								
-14	1513174-3	NUT GRAY -----							6	
	1513174-5	NUT BLACK -----							6	
		-----*								
-15	1213335-4	LAP SEAL GRAY -----							1	H
	1213335-6	LAP SEAL BLACK -----							1	H
-16	S2092-6	FASTENER-FABRIC -----							1	G
-17	1213756-1	COVER-RADIO STACK -----							1	H
	1213756-4	COVER-RADIO STACK -----							1	G
	S2092-5	FASTENER-HOOK 11.80 IN LG -----							1	N
-18	0713993-8	GLARESHIELD ASSY -----							2	P
	0713993-10	GLARESHIELD ASSY -----							1	P
		ATTACHING PARTS								
-19	AN525-832R8	SCREW -----							6	
-20	AN525-832R10	SCREW -----							2	
-21	AN515-8R8	SCREW -----							6	
	S1450-3A8-032	WASHER -----							6	
		-----*								
-22	0713993-5	TRIM-GLARESHIELD -----							1	
	SEE FIG 187	LIGHT INSTALLATION-GLARESHIELD -----							NP	
-23	SEE FIG 3	PLACARD-IDENTIFICATION -----							1	
-24	S1695-2	SWITCH-MAP LIGHT -----							1	
-25	1213957-3	SPLICE CAP-LH -----							1	
-26	1213957-4	SPLICE CAP-RH -----							1	
-27	SEE FIG 3	PLACARD-AUX. MIKE -----							1	
-28	C664508-0102	CLOCK-ELECTRIC -----							1	G
	C664511-0102	CLOCK-DIGITAL -----							1	G
		ATTACHING PARTS								
	AN51586R12	SCREW -----							2	
	MS25231-1819	BULB DIGITAL CLOCK -----							1	
		-----*								

CONTINUED ON NEXT PAGE

# 182 & T182 Parts Catalog

FIGURE AND INDEX NO.	PART NUMBER		1	2	3	4	5	6	7	DESCRIPTION	UNITS PER ASSY	USABLE ON CODE
101 -29	C661003-0505									INDICATOR-TURN COORD 24V -----	1	
	C661003-0506	%								INDICATOR-TURN COORD ALT 24V -----	1	
	42320-0028									INDICATOR-TURN COORD ARC NAV-O-MATIC -----	1	
	1394T100-1(5R)									INDICATOR-TURN COORD ELGY NAV-O-MATIC -----	1	
	AN515B6R12									ATTACHING PARTS		
	AN936A6B									SCREW -----	4	
										WASHER -----	4	
										-----*		
										INDICATOR-AIRSPPEED -----	1	T
										INDICATOR-AIRSPPEED -----	1	S
-30	C661064-0212	%								ATTACHING PARTS		
	C661064-0234	%								SCREW -----	4	
	AN515B6R12									-----*		
										TRUE AIRSPEED INDICATOR INSTALLATION -----	NP	
-31	C661065-0212	%								INDICATOR-AIRSPPEED -----	1	
-32	0700162-3									SPACER .051 THICKNESS -----	AR	
	0700162-4									SPACER .063 THICKNESS -----	AR	
	0700162-6									SPACER .071 THICKNESS -----	AR	
	0700162-7									SPACER .040 THICKNESS -----	AR	
-33	S2234-2									RING -----	1	
-34	0700162-1									RETAINER ASSY -----	1	
										ATTACHING PARTS		
-35	AN515B6R16									SCREW -----	4	
										-----*		
-36	C668509-0101									GAGE-SUCTION -----	1	
-37										DELETED NEVER USED -----		
-38	C661075-0101	*								GYRO-DIRECTIONAL -----	1	
	C661075-0103	*								GYRO-DIRECTIONAL ALT -----	1	
	C661075-0104	*								GYRO-DIRECTIONAL ALT -----	1	
	C661075-0106	*								GYRO-DIRECTIONAL ALT -----	1	
	C661075-0108	*								GYRO-DIRECTIONAL ALT -----	1	
	C661075-0105	*								GYRO-DIRECTIONAL WITH HEADING REFERENCE -----	1	
	C661075-0107	*								GYRO-DIRECTIONAL ALT FOR C661075-0105 -----	1	
	AN515-6R6									ATTACHING PARTS		
										SCREW -----	3	
	SEE FIG 179									GYRO-DIRECTIONAL NAV-O-MATIC -----	1	
	SEE FIG 179									GYRO-DIRECTIONAL USED WITH HSI -----	1	
-39	C661076-0102	**								GYRO-HORIZON -----	1	
	C661076-0101	**								GYRO-HORIZON ALT -----	1	
	C661076-0103	**								GYRO-HORIZON ALT -----	1	
	C661076-0105	**								GYRO-HORIZON ALT -----	1	
	C661076-0107	**								GYRO-HORIZON ALT -----	1	
	AN515-6R6									ATTACHING PARTS		
										SCREW -----	3	
										-----*		
-40	C661071-0101									ALTIMETER 20,000 FT FT & IN -----	1	
	C661025-0102									ALTIMETER 35,000 FT MILLIBARS 20 FT INCREMENTS -----	1	
-41	C661071-0102	***								ALTIMETER 20,000 FT FT & MILLIBARS -----	1	
										ATTACHING PARTS		
	AN515B6R12									SCREW -----	4	
										-----*		
	1513190-13									CAP USED WHEN OPT INSTRUMENTS NOT INSTALLED -----	1	H
	1513190-58-A59									CAP USED WHEN OPT INSTRUMENT NOT INSTALLED GRAY -----	1	G
	1513190-58-279									CAP USED WHEN OPT INSTRUMENT NOT INSTALLED BLACK -----	1	G
-42	C661080-0101									INDICATOR-VERTICAL SPEED -----	1	
										ATTACHING PARTS		
	AN515B6R12									SCREW -----	3	
										-----*		
-43										RADIO INSTALLATION-SEE AVIONICS SERVICE/PARTS MANUAL -----	NP	
	1513190-13									CAP USED WHEN OPT INSTRUMENT NOT INSTALLED -----	3	H
	1513190-58-A59									CAP USED WHEN OPT INSTRUMENT NOT INSTALLED GRAY -----	3	G
	1513190-58-279									CAP USED WHEN OPT INSTRUMENT NOT INSTALLED BLACK -----	3	G

CONTINUED ON NEXT PAGE

# 182 & T182 Parts Catalog

FIGURE AND INDEX NO.	PART NUMBER	DESCRIPTION	UNITS PER ASSY							USABLE ON CODE	
			1	2	3	4	5	6	7		
101 -44	C669502-0202	INSTRUMENT CLUSTER -----	1							B	
	C669545-0103	INSTRUMENT CLUSTER -----	1							J	
	C669545-0107	INSTRUMENT CLUSTER -----	1							X	
	C669545-0110	INSTRUMENT CLUSTER -----	1							Y	
	NAS43DD3-64	ATTACHING PARTS -----									
	AN507B832R24	SPACER -----	2								
	AN520B8R24	SCREW -----	2								B
	AN340B8	SCREW -----	2								C
		NUT -----	2								
		-----*									
-45	G441344	GAGE-FUEL SW -----	2								B
	6246-00177	GAGE-FUEL ROCH -----	2								J
	6246-00227	GAGE-FUEL ROCH -----	2								K
-46	G440437	AMMETER SW -----	1								B
	6246-00109	AMMETER ROCH -----	1								K
-47	G442702	GAGE-CYLINDER HEAD TEMP SW -----	1								C
	6246-00147	GAGE-CYLINDER HEAD TEMP ROCH -----	1								B
-48	6246-00224	GAGE-CYLINDER HEAD TEMP ROCH -----	1								J
	G442786-63	GAGE-OIL TEMP SW -----	1								K
-49	6246-00145	GAGE-OIL TEMP ROCH -----	1								B
	6246-00223	GAGE-OIL TEMP ROCH -----	1								J
-50	G444627	GAGE-OIL PRESSURE SW -----	1								K
	2646-00029	GAGE-OIL PRESSURE ROCH -----	1								B
	2646-00051	GAGE-OIL PRESSURE ROCH -----	1								Z
	0700099-37	LINE ASSY-OIL PRESSURE GAGE TO FIREWALL -----	1								Y
	S1372-2	SENDING UNIT-CYLINDER HEAD TEMP -----	1								
	S2334-4	SENDING UNIT-CYLINDER HEAD TEMP -----	1								B
	1270479-4	LIGHT ASSY-INSTRUMENT CLUSTER RED -----	1								C
	S1894-2	BULB RED -----	4								B
	1270479-13	LIGHT ASSY-INSTRUMENT CLUSTER CW -----	2								K
	S1894-4	BULB CW -----	3								
-51	S1941-1	FILTER-LIGHT -----	3								
	829525-6	RESISTOR ASSY-VOLTAGE DROPPING 24V TO 12V -----	3								
-52	811542	POTENTIOMETER SW -----	1								
	S2135-2	LIGHT ASSY-LOW VOLTAGE -----	1								
-53	S2519-2	LIGHT ASSY-LOW VOLTAGE ALT -----	1								
	C662035-0101	GAGE-MANIFOLD PRESSURE -----	1								
	AN515B6R12	ATTACHING PARTS -----									
		SCREW -----	4								
		-----*									
-54	C668020-0117	TACHOMETER USED WITH S1605-2 TACH SHAFT -----	1								
	C668020-0217	TACHOMETER USED WITH S2550-2 TACH SHAFT -----	1								
	AN515B6R12	ATTACHING PARTS -----									
		SCREW -----	4								
		-----*									
-55	S1605-2	SHAFT-TACHOMETER USED WITH C668020-0117 ONLY -----	1								
	S2550-2	SHAFT-TACHOMETER USED WITH C668020-0217 ONLY -----	1								
-55A	C664502-0101	GAGE-HOURMETER -----	1								D
	C664503-0101	GAGE-HOURMETER -----	1								E
	AN515-6R6	ATTACHING PARTS -----									
	MS21044N06	SCREW -----	2								
		NUT -----	2								
		-----*									
-54	C668501-0205	INDICATOR KIT-EXHAUST GAS TEMP -----	1								
	C668501-0211	INDICATOR-EXHAUST GAS TEMP -----	1								
	NAS487-21	ATTACHING PARTS -----									
		NUT -----	4								
		-----*									
-55	C668501-0204	PROBE-EXHAUST GAS TEMP -----	1								
	C668501-0206	LEAD-THERMOCOUPLE EXHAUST GAS TEMP -----	1								
-55A	1513190-5	CAP USED WHEN OPT INSTRUMENTS NOT INSTALLED -----	1								H
	1513190-36-A59	CAP USED WHEN OPT INSTRUMENTS NOT INSTALLED GRAY -----	1								G
	1513190-36-279	CAP USED WHEN OPT INSTRUMENTS NOT INSTALLED BLACK -----	1								G
	S1311-4	GAGE-CARBURETOR AIR TEMP -----	1								
	AN507B632R12	ATTACHING PARTS -----									
	NAS487-21	SCREW -----	4								
		NUT -----	4								
		-----*									
-55A	1513190-5	CAP USED WHEN OPT INSTRUMENTS NOT INSTALLED -----	1								H
	1513190-36-A59	CAP USED WHEN OPT INSTRUMENT NOT INSTALLED GRAY -----	1								G
	1513190-36-279	CAP USED WHEN OPT INSTRUMENT NOT INSTALLED BLACK -----	1								G
	1513190-13	CAP USED WHEN OPT INSTRUMENTS NOT INSTALLED -----	1								H
	1513190-58-A59	CAP USED WHEN OPT INSTRUMENTS NOT INSTALLED GRAY -----	1								G
	1513190-58-279	CAP USED WHEN OPT INSTRUMENTS NOT INSTALLED BLACK -----	1								G

CONTINUED ON NEXT PAGE

# 182 & T182 Parts Catalog

FIGURE AND INDEX NO.	PART NUMBER	DESCRIPTION							UNITS PER ASSY	USABLE ON CODE
		1	2	3	4	5	6	7		
101 -56	S1268-14	CONTROL ASSY-DEFROST -----							1	
-57	S1241-36	CONTROL ASSY-CABIN AIR -----							1	
-58	S1241-37	CONTROL ASSY-CABIN HEAT -----							1	
	S1399-1	SLEEVE 16.00 IN LG -----							1	
-59	0513052-20	LIGHTER ASSY-CIGAR -----							1	U U U
	0513039-1	PLUG-HEATING ELEMENT -----							1	
	S1982-1	KNOB ASSY-LIGHTER -----							1	
-60	9862010-1	CONTROL ASSY-MIXTURE -----							1	
-61	9862056-3	CONTROL ASSY-PROPELLER WEU 9862067-3 -----							1	L M
	9862067-3	CONTROL ASSY-PROPELLER -----							1	
	S1450-19A16-050	WASHER-PROPELLER CONTROL -----							1	
	NAS43DD12-64	SPACER-PROPELLER CONTROL -----							1	
-62	9863053-5	CONTROL ASSY-THROTTLE -----							1	B C
	9863055-9	CONTROL ASSY-THROTTLE -----							1	
-63	S1230-10	CONTROL ASSY-CARBURETOR HEAT -----							1	
-64	S2160-1	SWITCH-INSTRUMENT PANEL -----							6	
-65	S1980-1	KNOB ASSY-INSTRUMENT DIMMING LIGHTS -----							2	
	AN565D8H2	ATTACHING PARTS SET SCREW -----							1	
	S1904-2	RESISTOR-VARIABLE -----							2	
	S2000C201J	RESISTOR-INSTRUMENT DIMMING -----							1	
	S1995-1	KNOB ASSY-USED WITH ELECTROLUMINESCENT PANEL -----							1	
	AN565B2H3	ATTACHING PARTS SETSCREW -----							1	
	S1995-2	KNOB -----							1	
	S1995-3	KNOB -----							1	
	S2091-3	VARIABLE RESISTOR-USED WITH ELECTROLUMINESCENT PANEL -----							1	
	VAL-5-6000	RESISTOR-USED WITH ELECTRO LUMINESCENT PANEL -----							1	
-66	CM3589-40	SWITCH-AVIONICS MASTER -----							1	
	S1216-7	ATTACHING PARTS NUT -----							1	
-67	C292501-0104	KIT-IGNITION SWITCH -----							1	
-68	C291502-0106	PRIMER ASSY-ENGINE -----							1	
	S1974-1	KNOB ASSY-PRIMER -----							1	
-69	S1994-1-1	SWITCH-MASTER -----							1	
	S1843-3	MOUNTING BEZEL-MASTER SWITCH -----							1	
-70	SEE FIG 164	CONTROL-FLAP -----							1	
-71	S1360-5L	CIRCUIT BREAKER 5 AMP -----							8	
-72	S1360-10L	CIRCUIT BREAKER 10 AMP USED WITH PITOT HEAT -----							1	G
	S1360-5L	CIRCUIT BREAKER 5 AMP USED WITH DIGITAL CLOCK -----							1	
-73	S1360-10L	CIRCUIT BREAKER 10 AMP -----							1	H H
-74	S1360-15L	CIRCUIT BREAKER 15 AMP -----							1	
	S1360-10L	CIRCUIT BREAKER 10 AMP -----							1	
-75	S1707-60L	CIRCUIT BREAKER 60 AMP -----							1	H H G
	S1232-60	CIRCUIT BREAKER 60 AMP -----							1	
	S2122-1	ATTACHING PARTS NUT -----							1	
	2070033-2	SPACER USED WITH 60 AMP CIRCUIT BREAKER -----							1	
	55-008B	NUT USED WITH 60 AMP CIRCUIT BREAKER -----							1	
	0770780-2	BUS BAR-CENTER -----							1	
	0713854-2	BUS BAR-RH -----							1	
	0770780-1	BUS BAR-LH -----							1	
-76	0713344-3	COVER ASSY-INSTRUMENT PANEL LWR -----							1	B F W V
	0713344-4	COVER ASSY-INSTRUMENT PANEL LWR -----							1	
	0713344-6	COVER ASSY-INSTRUMENT PANEL LWR -----							1	
	0713344-7	COVER ASSY-INSTRUMENT PANEL LWR -----							1	

CONTINUED ON NEXT PAGE

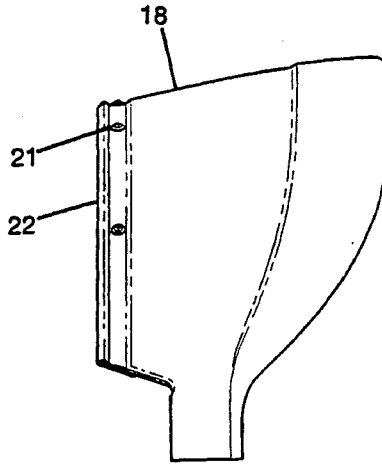
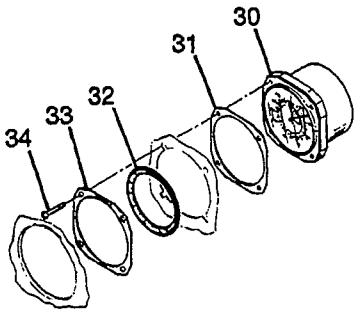
# 182 & T182 Parts Catalog

FIGURE AND INDEX NO.	PART NUMBER	DESCRIPTION	UNITS PER ASSY	USABLE ON CODE
		1 2 3 4 5 6 7		
101 -		<p>NOTE. * THESE GYROS ARE PHYSICALLY &amp; FUNCTIONALLY INTERCHANGEABLE.</p> <p>NOTE ** THESE GYROS ARE PHYSICALLY &amp; FUNCTIONALLY INTERCHANGEABLE.</p> <p>NOTE. *** USED AS SECOND ALTIMETER FOR DUAL ALTIMETER INSTALLATION</p> <p>NOTE. &lt; THIS PART MUST HAVE A SECOND DASH NUMBER TO DENOTE COLOR. REFER TO HOW TO ORDER INTERIOR PARTS-PAGE XIII.</p> <p>NOTE. % AN EXCHANGE PART IS ALSO AVAILABLE REFER TO THE MASTER PRICE LIST.</p> <p>A---182 SERIAL 18265966 THRU 18268293 F182 SERIAL F18200065 THRU F18200169</p> <p>B---182 SERIAL 18265966 THRU 18266590 F182 SERIAL F18200065 THRU F18200094</p> <p>C---182 SERIAL 18266591 THRU 18268293 F182 SERIAL F18200095 THRU F18200169</p> <p>D---182 SERIAL 18265966 THRU 18266441 F182 SERIAL F18200065 THRU F18200094</p> <p>E---182 SERIAL 18266442 THRU 18268293 F182 SERIAL F18200095 THRU F18200169</p> <p>F---182 SERIAL 18266591 THRU 18267300 F182 SERIAL F18200095 THRU F18200129</p> <p>G---182 SERIAL 18267301 THRU 18268293 F182 SERIAL F18200130 THRU F18200169</p> <p>H---182 SERIAL 18265966 THRU 18267300 F182 SERIAL F18200065 THRU F18200129</p> <p>J---182 SERIAL 18266591 THRU 18266737 F182 SERIAL F18200095 THRU F18200107</p> <p>K---182 SERIAL 18266738 THRU 18268293 F182 SERIAL F18200108 THRU F18200169</p> <p>L---182 SERIAL 18265966 THRU 18266803 F182 SERIAL F18200065 THRU F18200119</p> <p>M---182 SERIAL 18266804 THRU 18268293 F182 SERIAL F18200120 THRU F18200169</p> <p>N---182 SERIAL 18265966 THRU 18267700 F182 SERIAL F18200065 THRU F18200169</p> <p>P---182 SERIAL 18267701 THRU 18268293</p> <p>R---182 SERIAL 18267301 THRU 18267715 F182 SERIAL F18200130 THRU F18200169</p> <p>S---182 SERIAL 18267716 THRU 18268293</p> <p>T---182 SERIAL 18265966 THRU 18267715 F182 SERIAL F18200065 THRU F18200169</p> <p>U---182 SERIAL 18265966 THRU 18268055 F182 SERIAL F18200065 THRU F18200169</p> <p>V---182 SERIAL 18268056 THRU 18268293</p> <p>W---182 SERIAL 18267301 THRU 18268055</p> <p>X---182 SERIAL 18266738 THRU 18267981</p> <p>Y---182 SERIAL 18267982 THRU 18268293</p> <p>Z---182 SERIAL 18266591 THRU 18267981</p>		

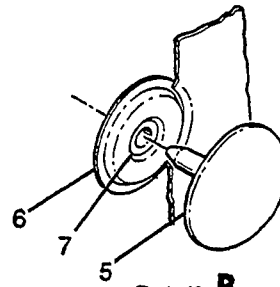


# 182 & T182 Parts Catalog

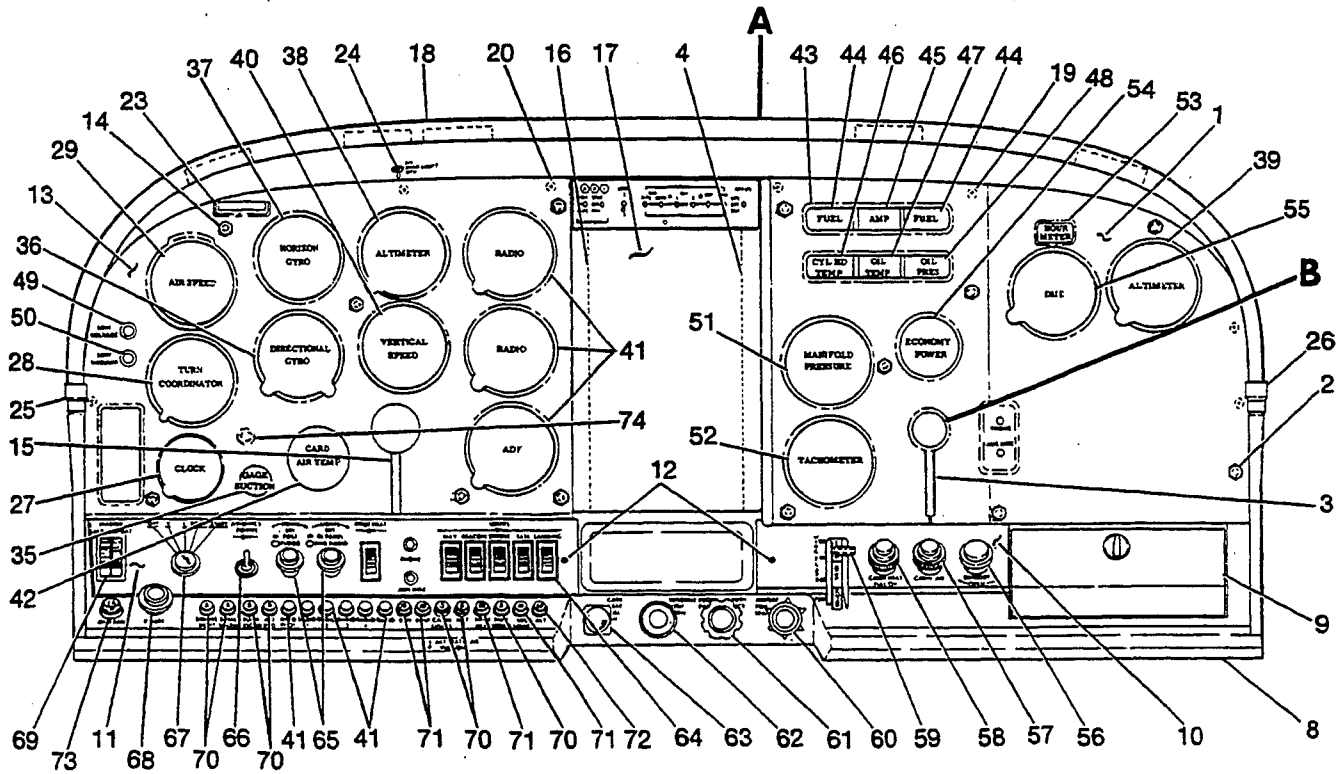
## Instruments (Cont)



Detail A



Detail B



182 SERIAL 18268294 & ON

Figure 101A, Instrument Panel Equipment Installation

# 182 & T182 Parts Catalog

FIGURE AND INDEX NO.	PART NUMBER	DESCRIPTION							UNITS PER ASSY	USABLE ON CODE
		1	2	3	4	5	6	7		
101A-		INSTRUMENT PANEL EQUIPMENT INSTALLATION -----							NP	A
	SEE FIG 105A	INSTRUMENT PANEL ASSY-STATIONARY -----							1	
	SEE FIG 105A	PANEL-SHOCK MOUNTED -----							1	
- 1	2213071-31-A59	COVER ASSY-UPPER RH PANEL	GRAY					1	B	
	2213071-31-279	COVER ASSY-UPPER RH PANEL	BLACK					1	B	
	2213071-36-E83	COVER ASSY-UPPER RH PANEL	GRAY					1	C	
	2213071-36-279	COVER ASSY-UPPER RH PANEL	BLACK					1	C	
		ATTACHING PARTS -----								
- 2	0413613-1-A59	NUT	GRAY					7	B	
	0413613-1-E83	NUT	GRAY					7	C	
	0413613-1-279	NUT	BLACK					7	C	
		*-----								
- 3	1213163-2	LAP SEAL	GRAY					1	B	
	1213163-1	LAP SEAL	BLACK					1	B	
	S2611-1-2.50-E80	CHANNEL	GRAY					1	C	
	S2611-1-2.50-156	CHANNEL	BLACK					1	C	
- 4	S2092-6	FASTENER-FABRIC						1		
- 5	0713346-6-A59	CAP ASSY	USED WHEN RH CONTROL NOT INSTALLED	GRAY				1	B	
	0713346-6-279	CAP ASSY	USED WHEN RH CONTROL NOT INSTALLED	BLACK				1	B	
- 6	0713346-1	BACKING ASSY	USED WHEN RH CONTROL NOT INSTALLED					1	B	
- 7	MS35489-4	GROMMET						1	B	
- 8	0713344-8	COVER ASSY-INSTRUMENT PANEL LOWER						1		
- 9	SEE FIG 111A	MAP COMPARTMENT INSTALLATION						1		
-10	1213363-18	PANEL-LWR RH						1		
	1213363-17	PANEL ASSY-LWR RH	ELECTROLUMINESCENT					1		
-11	0713577-6	PANEL-LWR LH SWITCH						1		
	0713577-5	PANEL ASSY-LWR LH SWITCH	ELECTROLUMINESCENT					1		
		ATTACHING PARTS -----								
-12	S102274-8	SCREW						1		
		*-----								
-13	2213126-1-A59	COVER ASSY-UPPER LH	GRAY	WEU 2213126-5-A59				1	B	
	2213126-1-279	COVER ASSY-UPPER LH	BLACK	WEU 2213126-5-279				1	B	
	2213126-10-E83	COVER ASSY-UPPER LH	GRAY	WEU 2213126-5-E83				1	D	
	2213126-10-279	COVER ASSY-UPPER LH	BLACK	WEU 2213126-5-279				1	D	
	2213126-5-A59	COVER ASSY-UPPER LH	GRAY					1	E	
	2213126-5-E83	COVER ASSY-UPPER LH	GRAY					1	E	
	2213126-5-279	COVER ASSY-UPPER LH	BLACK					1	E	
		ATTACHING PARTS -----								
-14	0413613-1-A59	NUT	GRAY					6	B	
	0413613-1-E83	NUT	GRAY					6	C	
	0413613-1-279	NUT	BLACK					6	C	
		*-----								
-15	1213335-1	LAP SEAL	GRAY					1	B	
	1213335-2	LAP SEAL	BLACK					1	B	
	S2611-1-2.10-E80	CHANNEL	GRAY					1	C	
	S2611-1-2.10-156	CHANNEL	BLACK					1	C	
-16	S2092-6	FASTENER-FABRIC						1		
-17	1213756-4	COVER-RADIO STACK						1		
	S2092-5	FASTENER-HOOK	11.80 IN LG					2		
-18	0713993-10	GLARESHIELD ASSY						1		
		ATTACHING PARTS -----								
-19	AN525-832R8	SCREW						6		
-20	AN525-832R10	SCREW						2		
-21	AN515B8R8	SCREW						6		
	S1450-3A8-032	WASHER						6		
		*-----								
-22	0713993-5	TRIM-GLARESHIELD						1		
	SEE FIG 187	LIGHT INSTALLATION-GLARESHIELD						NP		
-23	1213004-2	RETAINER-IDENTIFICATION PLACARD						1		
		ATTACHING PARTS -----								
	S102276-8	SCREW						2		
	NAS446-2-1	NUT						2		
		*-----								
-24	S1695-2	SWITCH-MAP LIGHT						1		
-25	1213957-3	SPLICE CAP-LH						1		
-26	1213957-4	SPLICE CAP-RH						1		
-27	C664508-0102	CLOCK-ELECTRIC						1		
	C664508-0201	CLOCK-ELECTRIC	ALT					1		
	C664508-0202	CLOCK-ELECTRIC	ALT					1		
	C664508-0102	CLOCK-DIGITAL						1		
		ATTACHING PARTS -----								
	AN515B6R12	SCREW						2		
		*-----								
	MS25231-1819	BULB	DIGITAL CLOCK					1		

CONTINUED ON NEXT PAGE

# 182 & T182 Parts Catalog

FIGURE AND INDEX NO.	PART NUMBER		DESCRIPTION							UNITS PER ASSY	USABLE ON CODE
			1	2	3	4	5	6	7		
101A-28	C661003-0506	%	INDICATOR-TURN COORD -----							1	
	C661003-0507		INDICATOR-TURN COORD ALT -----							1	
	AN515B6R12		ATTACHING PARTS -----							4	
	AN936A6B		SCREW -----							4	
			WASHER -----							4	
			*-----								
-29	C661064-0234	%	INDICATOR-AIRSPPEED -----							1	
			ATTACHING PARTS -----							1	
	AN515B6R12		SCREW -----							4	
			*-----								
			TRUE AIRSPPEED INDICATOR INSTALLATION -----							NP	
-30	C661065-0234		INDICATOR-AIRSPPEED -----							1	
-31	0700162-3		SPACER .051 THICKNESS -----							AR	
	0700162-4		SPACER .063 THICKNESS -----							AR	
	0700162-6		SPACER .071 THICKNESS -----							AR	
	0700162-7		SPACER .040 THICKNESS -----							AR	
-32	S2234-2		RING-TRUE AIRSPPEED -----							1	
-33	0700162-1		RETAINER ASSY -----							1	
			ATTACHING PARTS -----							1	
-34	AN515B6R16		SCREW -----							4	
			*-----								
-35	C668509-0101		GAGE-SUCTION -----							1	
-36	C661075-0101	*	GYRO-DIRECTIONAL -----							1	
	C661075-0103	*	GYRO-DIRECTIONAL -----							1	
	C661075-0104	*	GYRO-DIRECTIONAL -----							1	
	C661075-0106	*	GYRO-DIRECTIONAL -----							1	
	40760-0104		GYRO-DIRECTIONAL SPRS NAV-O-MATIC 300A -----							1	
	40760-0114		GYRO-DIRECTIONAL SPRS ALT FOR 40760-0104 -----							1	
	44690-2000		INDICATOR-HSI SPRS COMBINATION UNSLAVED DIRECTIONAL -----							1	
			GYRO & COURSE DEVIATION INDICATOR -----							1	
	44760-0000		GYRO-DIRECTIONAL SPRS SLAVED-400B AUTOPILOT -----							1	
	44690-0000		INDICATOR-HSI SPRS SLAVED-400B AUTOPILOT -----							1	
			ATTACHING PARTS -----							1	
	AN515-6R6		SCREW -----							4	
	AN515B632R12		SCREW ATTACH 44690-2000 ONLY -----							4	
			*-----								
-37	C661076-0102	**	GYRO-HORIZON -----							1	D D D
	C661076-0101	**	GYRO-HORIZON ALT -----							1	
	C661076-0103	**	GYRO-HORIZON ALT -----							1	
	C661076-0105	**	GYRO-HORIZON ALT -----							1	
	C661076-0106		GYRO-HORIZON ALT -----							1	
	C661076-0108		GYRO-HORIZON ALT -----							1	
	51640-0010		GYRO-HORIZON SPRS ALL 400B AUTOPILOT -----							1	
			ATTACHING PARTS -----							1	
	AN515-6R6		SCREW -----							3	
			*-----								
-38	C661071-0101		ALTIMETER 20,000 FT FT & IN -----							1	
	C661025-0102		ALTIMETER 35,000 FT MILLIBARS 20 FT INCREMENTS -----							1	
-39	C661071-0102	***	ALTIMETER 20,000 FT FT & MILLIBARS -----							1	
			ATTACHING PARTS -----							1	
	AN515B6R12		SCREW -----							4	
			*-----								
	1513190-58-A59		CAP USED WHEN OPT INSTRUMENT NOT INSTALLED GRAY -----							1	
	1513190-58-279		CAP USED WHEN OPT INSTRUMENT NOT INSTALLED BLACK -----							1	
-40	C661080-0101		INDICATOR-VERTICAL SPEED -----							1	
			ATTACHING PARTS -----							1	
	AN515B6R12		SCREW -----							3	
			*-----								
-41			RADIO INSTALLATION-SEE AVIONICS SERVICE/PARTS MANUAL -----							NP	
	1513190-58-A59		CAP USED WHEN OPT INSTRUMENTS NOT INSTALLED GRAY -----							3	
	1513190-58-279		CAP USED WHEN OPT INSTRUMENTS NOT INSTALLED BLACK -----							3	
-42	S1311-4		GAGE-CARBURETOR AIR TEMP -----							1	
			ATTACHING PARTS -----							1	
	AN507B632R12		SCREW -----							4	
	NAS487-21		NUT -----							4	
			*-----								

CONTINUED ON NEXT PAGE

# 182 & T182 Parts Catalog

FIGURE AND INDEX NO.	PART NUMBER	DESCRIPTION							UNITS PER ASSY	USABLE ON CODE
		1	2	3	4	5	6	7		
101A-43	C669545-0110	INSTRUMENT CLUSTER -----							1	
		ATTACHING PARTS -----								
	NAS43DD3-64	SPACER -----							2	
	AN520B8R24	SCREW -----							2	
	AN340B8	NUT -----							2	
		*-----								
-44	6246-00227	GAGE-FUEL ROCH -----							2	
-45	6246-00109	AMMETER ROCH -----							1	
-46	6246-00224	GAGE-CYLINDER HEAD TEMP ROCH -----							1	
-47	6246-00223	GAGE-OIL TEMP ROCH -----							1	
-48	2646-00051	GAGE-OIL PRESSURE ROCH -----							1	
	0700099-37	LINE ASSY-OIL PRESSURE GAGE TO FIREWALL -----							1	
	S2334-4	SENDING UNIT-CYLINDER HEAD TEMP -----							1	
	1270479-13	LIGHT ASSY-INSTRUMENT CLUSTER CW -----							2	
	S1894-4	BULB-INSTRUMENT CLUSTER CW -----							3	
	S1941-1	FILTER-LIGHT -----							3	
	829525-6	RESISTOR ASSY-VOLTAGE DROPPING 24V TO 12V -----							3	
	811542	POTENTIOMETER SW -----							1	
-49	S2135-2	LIGHT ASSY-LOW VOLTAGE -----							1	
	S2519-2	LIGHT ASSY-LOW VOLTAGE ALT -----							1	
-50	S2135-2	LIGHT ASSY-LOW VACUUM -----							1	
	S2519-2	LIGHT ASSY-LOW VACUUM ALT -----							1	
-51	C662035-0101	GAGE-MANIFOLD PRESSURE -----							1	
		ATTACHING PARTS -----								
	AN515B6R12	SCREW -----							4	
		*-----								
-52	C668020-0117	TACHOMETER USE S1605-2 TACH SHAFT -----							1	
	C668020-0217	TACHOMETER ALT USE S2550-2 TACH SHAFT -----							1	
		ATTACHING PARTS -----								
	AN515B6R12	SCREW -----							4	
		*-----								
	S1605-2	SHAFT-TACHOMETER USED WITH C668020-0117 ONLY -----							1	
	S2550-2	SHAFT-TACHOMETER USED WITH C668020-0217 ONLY -----							1	
-53	C664503-0101	GAGE-HOURMETER -----							1	
		ATTACHING PARTS -----								
	AN515-6R6	SCREW -----							2	
	MS21044N06	NUT -----							2	
		*-----								
-54	C668501-0205	INDICATOR KIT-EXHAUST GAS TEMP -----							1	
	C668501-0211	INDICATOR-EXHAUST GAS TEMP -----							1	
		ATTACHING PARTS -----								
	NAS487-21	NUT -----							4	
		*-----								
	C668501-0204	PROBE-EXHAUST GAS TEMP -----							1	
	C668501-0206	LEAD-THERMOCOUPLE EXHAUST GAS TEMP -----							1	
	1513190-36-A59	CAP USE WHEN OPT INSTRUMENT NOT INSTALLED GRAY -----							1	
	1513190-36-279	CAP USED WHEN OPT INSTRUMENT NOT INSTALLED BLACK -----							1	
-55	1513190-58-A59	CAP USED WHEN OPT INSTRUMENT NOT INSTALLED GRAY -----							1	
	1513190-58-279	CAP USED WHEN OPT INSTRUMENT NOT INSTALLED BLACK -----							1	
-56	S1268-14	CONTROL ASSY-DEFROST -----							1	
-57	S1241-36	CONTROL ASSY-CABIN AIR -----							1	
-58	S1241-37	CONTROL ASSY-CABIN HEAT -----							1	
	S1399-1	SLEEVE 16.00 IN LG -----							1	
-59	SEE FIG 64	CONTROL-FLAP -----							1	
-60	9862010-1	CONTROL ASSY-MIXTURE -----							1	
-61	9862067-3	CONTROL ASSY-PROPELLER -----							1	
	S1450-19A16-050	WASHER-PROPELLER CONTROL -----							1	
	NAS43DD12-64	SPACER-PROPELLER CONTROL -----							1	
-62	9863055-9	CONTROL ASSY-THROTTLE -----							1	
-63	S1230-10	CONTROL ASSY-CARBURETOR HEAT -----							1	
-64	S2160-1	SWITCH-INSTRUMENT PANEL -----							6	

CONTINUED ON NEXT PAGE

# 182 & T182 Parts Catalog

FIGURE AND INDEX NO.	PART NUMBER	DESCRIPTION	UNITS PER ASSY							USABLE ON CODE	
			1	2	3	4	5	6	7		
101A-65	S1980-1	KNOB ASSY-INSTRUMENT DIMMING LIGHTS ----- ATTACHING PARTS -----								2	
	AN565D8H2	SETSCREW ----- *-----								1	
	S1904-2	VARIABLE RESISTOR-INSTRUMENT LIGHTS -----								2	
	S2000C201J	RESISTOR -----								1	
	S1995-5	KNOB ASSY-USED WITH ELECTROLUMINESCENT PANEL ----- ATTACHING PARTS -----								1	
	AN565B2H3	SETSCREW ----- *-----								1	
	S1995-2	KNOB -----								1	
	S1995-3	KNOB -----								1	
	S2091-3	VARIABLE RESISTOR-USED WITH ELECTROLUMINESCENT PANEL -----								1	
	VAL-5-6000	RESISTOR-USED WITH ELECTROLUMINESCENT PANEL -----								1	
-66	CM3589-40	SWITCH-AVIONICS POWER ----- ATTACHING PARTS -----								1	
	S1216-7	NUT ----- *-----								1	
-67	C292501-0104	KIT-IGNITION SWITCH -----								1	
-68	C291502-0106	PRIMER ASSY-ENGINE -----								1	
	S1974-1	KNOB ASSY-PRIMER -----								1	
-69	S1994-1-1	SWITCH-MASTER -----								1	
	S1843-3	MOUNTING BEZEL-MASTER SWITCH -----								1	
-70	S1360-5L	CIRCUIT BREAKER 5 AMP -----								8	
-71	S1360-10L	CIRCUIT BREAKER 10 AMP -----								3	
-72	S1232-60	CIRCUIT BREAKER 60 AMP -----								1	
	CM3589-15	SWITCH/CIRCUIT BREAKER 15 AMP USED WITH ----- ELECTRIC DRIVEN VACUUM PUMP ----- ATTACHING PARTS -----								1	D
	S2122-1	NUT -----								1	
	2070033-2	SPACER -----								1	
	55-0088	NUT ----- *-----								1	
-73	S2582-1	FUSEHOLDER -----								1	
	S2565-1	FUSE-AVIONICS FAN 1 AMP -----								1	
	0770780-1	BUS BAR -----								1	
	0770780-2	BUS BAR -----								1	
-74	2201128-1	COVER-BACKCOURSE LIGHT -----								1	D
		NOTE. * THESE GYROS ARE PHYSICALLY & FUNCTIONALLY INTERCHANGEABLE.									
		NOTE. ** THESE GYROS ARE PHYSICALLY & FUNCTIONALLY INTERCHANGEABLE.									
		NOTE. *** USED AS SECOND ALTIMETER FOR DUAL ALTIMETER INSTALLATION.									
		NOTE. % AN EXCHANGE PART IS ALSO AVAILABLE REFER TO MASTER PRICE LIST.									
		A---182 SERIAL 18268294 & ON									
		B---182 SERIAL 18268294 THRU 18268383									
		C---182 SERIAL 18268384 & ON									
		D---182 SERIAL 18268435 & ON									

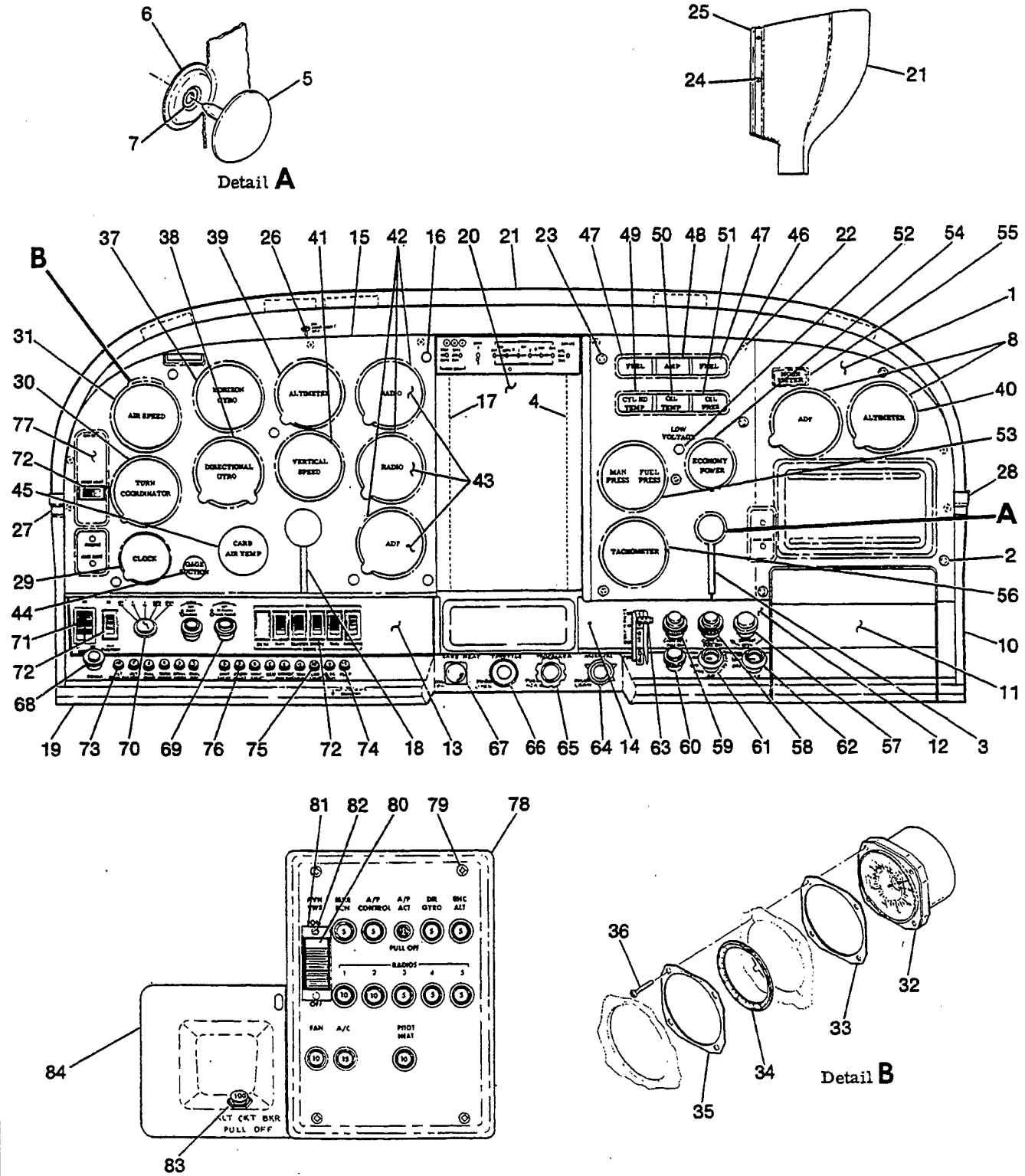
# 182 & T182 Parts Catalog

FIGURE AND INDEX NO.	PART NUMBER	DESCRIPTION							UNITS PER ASSY	USABLE ON CODE
		1	2	3	4	5	6	7		
102 -		INSTRUMENT PANEL EQUIPMENT INSTALLATION -----							NP	A
	SEE FIG 106	INSTRUMENT PANEL ASSY-STATIONARY -----							1	
	SEE FIG 106	PANEL-SHOCK MOUNTED -----							1	
- 1	2213071-23-A59	COVER ASSY-UPPER RH PANEL GRAY -----							1	B
	2213071-23-279	COVER ASSY-UPPER RH PANEL BLACK -----							1	B
	2213071-27-A59	COVER ASSY-UPPER RH PANEL GRAY -----							1	C
	2213071-27-279	COVER ASSY-UPPER RH PANEL BLACK -----							1	C
		ATTACHING PARTS -----								
- 2	1513174-3	NUT-INSTRUMENT PANEL COVER ATTACH					GRAY	7		
	1513174-5	NUT-INSTRUMENT PANEL COVER ATTACH					BLACK	7		
		-----*								
- 3	1213163-2	LAP SEAL GRAY -----							1	
	1213163-1	LAP SEAL BLACK -----							1	
- 4	S2092-6	FASTENER-FABRIC 11.80 IN LG -----							1	
- 5	0713346-6-A59	CAP ASSY				WHEN RH CONTROL NOT INSTALLED	GRAY	1		
	0713346-6-279	CAP ASSY				WHEN RH CONTROL NOT INSTALLED	BLACK	1		
- 6	0713346-1	BACKING ASSY				WHEN RH CONTROL NOT INSTALLED		1		
- 7	MS35489-4	GROMMET -----							1	
- 8	1513190-58-A59	COVER WHEN OPT INSTRUMENTS NOT INSTALLED					GRAY	1		
	1513190-58-279	COVER WHEN OPT INSTRUMENTS NOT INSTALLED					BLACK	1		
- 9		DELETED -----								
-10	0713345-1	COVER-INSTRUMENT PANEL LWR RH -----							1	B
		ATTACHING PARTS -----								
	S102126-6	SCREW -----							3	B
	NAS446-2-1	NUT -----							3	B
		-----*								
-11	SEE FIG 111	MAP COMPARTMENT INSTALLATION -----							NP	B
	SEE FIG 111A	MAP COMPARTMENT INSTALLATION -----							NP	C
-12	1213363-14	PANEL-LOWER RH UNLIGHTED -----							1	
	1213363-13	PANEL-LOWER RH ELECTROLUMINESCENT -----							1	
-13	2213039-5	PANEL-LOWER LH SWITCH ELECTROLUMINESCENT -----							1	
-14	S102274-8	SCREW -----							1	
-15	2213073-55-A59	COVER ASSY-UPPER LH					GRAY	1		
	2213073-55-279	COVER ASSY-UPPER LH					BLACK	1		
		ATTACHING PARTS -----								
-16	1513174-3	NUT GRAY -----						6		
	1513174-5	NUT BLACK -----						6		
		-----*								
-17	S2092-6	FASTENER-FABRIC -----							1	
-18	1213335-4	LAP SEAL GRAY -----							1	
	1213335-6	LAP SEAL BLACK -----							1	
-19	2213072-6	COVER-INSTRUMENT PANEL LWR -----							1	B
	2213072-8	COVER-INSTRUMENT PANEL LWR -----							1	C
-20	1213756-4	COVER ASSY-RADIO STACK -----							1	
	S2092-5	FASTENER-HOOK 11.80 IN LG -----							2	
-21	0713993-10	GLARESHIELD ASSY -----							1	
		ATTACHING PARTS -----								
-22	AN525-832R8	SCREW -----							6	
-23	AN525-832R10	SCREW -----							2	
-24	AN515B8R8	SCREW -----							6	
	S1450-3A8-032	WASHER -----							6	
		-----*								
-25	0713993-5	TRIM-GLARESHIELD -----							1	
	SEE FIG 187	LIGHT INSTALLATION-GLARESHIELD -----							1	
-26	S1695-2	SWITCH-MAP LIGHT -----							1	
-27	1213957-3	SPLICE CAP-LH -----							1	
-28	1213957-4	SPLICE CAP-RH -----							1	
-29	C664508-0102	CLOCK-ELECTRIC -----							1	
	C664511-0102	CLOCK-DIGITAL -----							1	
		ATTACHING PARTS -----								
	AN515B6R12	SCREW -----							2	
		-----*								
	S2413-1	SOCKET-DIGITAL CLOCK LIGHT -----							1	
	MS25231-1819	BULB-DIGITAL CLOCK -----							1	
-30	C661003-0506	INDICATOR-TURN COORDINATOR -----							1	
	C661003-0507	INDICATOR-TURN COORDINATOR ALT -----							1	
		ATTACHING PARTS -----								
	AN515B6R12	SCREW -----							4	
	AN93686B	WASHER -----							4	
		-----*								
-31	C661064-0236	INDICATOR-AIRSPEED -----							1	
		ATTACHING PARTS -----								
	AN515B6R12	SCREW -----							4	
		-----*								

CONTINUED ON NEXT PAGE

# 182 & T182 Parts Catalog

## Instruments (Cont)



**T182 SERIAL 18267716 THRU 18268293**

Figure 102. Instrument Panel Equipment Installation

# 182 & T182 Parts Catalog

FIGURE AND INDEX NO.	PART NUMBER	DESCRIPTION							UNITS PER ASSY	USABLE ON CODE
		1	2	3	4	5	6	7		
102 -		TRUE AIRSPEED INDICATOR INSTALLATION -----							NP	
-32	C661065-0236	INDICATOR-AIRSPEED -----							1	
-33	0700162-3	SPACER .051 THICKNESS -----							AR	
	0700162-4	SPACER .063 THICKNESS -----							AR	
	0700162-6	SPACER .071 THICKNESS -----							AR	
	0700162-7	SPACER .040 THICKNESS -----							AR	
-34	S2234-2	RING-TRUE AIRSPEED -----							1	
-35	0700162-1	RETAINER ASSY -----							1	
		ATTACHING PARTS								
-36	AN515B6R16	SCREW -----							4	
		*-----								
-37	C661076-0102	GYRO-HORIZON -----							1	
	C661076-0101	GYRO-HORIZON ALT -----							1	
	C661076-0103	GYRO-HORIZON ALT -----							1	
	C661076-0105	GYRO-HORIZON ALT -----							1	
	C661076-0107	GYRO-HORIZON ALT -----							1	
		ATTACHING PARTS								
	AN515-6R6	SCREW -----							4	
		*-----								
-38	C661075-0101	GYRO-DIRECTIONAL -----							1	
	C661075-0103	GYRO-DIRECTIONAL ALT -----							1	
	C661075-0104	GYRO-DIRECTIONAL ALT -----							1	
	C661075-0106	GYRO-DIRECTIONAL ALT -----							1	
	C661075-0108	GYRO-DIRECTIONAL ALT -----							1	
	40760-0104	GYRO-DIRECTIONAL ARC NAV-O-MATIC 300A -----							1	
	40760-0114	GYRO-DIRECTIONAL ARC ALT FOR 40760-0104 -----							1	
	44690-2000	INDICATOR-HSI ARC COMBINATION UNSLAVED DIRECTIONAL -----							1	
		GYRO & COURSE DEVIATION INDICATOR								
		ATTACHING PARTS								
	AN515-6R6	SCREW -----							3	
	AN515B632R12	SCREW -----							4	
		*-----								
-39	C661071-0101	ALTIMETER 20,000 FT FT & IN -----							1	
	C661025-0102	ALTIMETER 35,000 FT MILLIBARS 20 FT INCREMENTS -----							1	
-40	C661071-0102	ALTIMETER 20,000 FT FT & MILLIBARS -----							1	
		ATTACHING PARTS								
	AN515B6R12	SCREW -----							4	
		*-----								
-41	C661080-0101	INDICATOR-VERTICAL SPEED -----							1	
		ATTACHING PARTS								
	AN515BR12	SCREW -----							3	
		*-----								
-42		RADIO INSTALLATION SEE AVIONICS SERVICE/PARTS MANUAL -----							NP	
-43	1513190-58-A59	CAP USED WHEN OPT INSTRUMENT NOT INSTALLED GRAY -----							3	
	1513190-58-279	CAP USED WHEN OPT INSTRUMENT NOT INSTALLED BLACK -----							3	
-44	C668509-0101	GAGE-SUCTION -----							1	
-45	S1311-4	GAGE-CARBURETOR AIR TEMP -----							1	
		ATTACHING PARTS								
	AN507B632R12	SCREW -----							4	
	NAS487-21	NUT -----							4	
		*-----								
-46	C669545-0108	INSTRUMENT CLUSTER -----							1	D E
	C669545-0111	INSTRUMENT CLUSTER -----							1	
		ATTACHING PARTS								
	NAS43DD3-64	SPACER -----							2	
	AN507B832R24	SCREW -----							2	
	AN340B8	NUT -----							2	
		*-----								
-47	6246-00227	GAGE-FUEL ROCH -----							2	D E D E D E
-48	6246-00109	AMMETER ROCH -----							1	
-49	6246-00274	GAGE-CYLINDER HEAD TEMP ROCH -----							1	
	6246-00225	GAGE-CYLINDER HEAD TEMP ROCH -----							1	
-50	6246-00273	GAGE-OIL TEMP ROCH -----							1	
	6246-00215	GAGE-OIL TEMP ROCH -----							1	
-51	2646-00039	GAGE-OIL PRESSURE ROCH -----							1	
	2646-00054	GAGE-OIL PRESSURE ROCH -----							1	
	0700099-37	LINE ASSY-OIL PRESSURE GAGE TO FIREWALL -----							1	
	S2334-3	SENDING UNIT-CYLINDER HEAD TEMP #3 CYLINDER -----							1	
	AN900-6	GASKET-SENDING UNIT -----							1	
	0770139EC1	WIRE-CYLINDER HEAD TEMP GAGE TO SENDING UNIT -----							1	
	1270479-3	LIGHT ASSY-INSTRUMENT CLUSTER -----							2	
	S1894-4	BULB-INSTRUMENT CLUSTER CLEAR -----							3	
	S1941-1	FILTER-LIGHT -----							3	
-52	S2519-2	LIGHT ASSY-LOW VOLTAGE -----							1	

CONTINUED ON NEXT PAGE



# 182 & T182 Parts Catalog

FIGURE AND INDEX NO.	PART NUMBER	DESCRIPTION	UNITS PER ASSY							USABLE ON CODE
			1	2	3	4	5	6	7	
102 -53	C662038-0104	GAGE-MANIFOLD PRESSURE & FUEL PRESSURE -----	1							B C
	C662038-0101	GAGE-MANIFOLD PRESSURE & FUEL PRESSURE ----- ATTACHING PARTS	1							
	AN515B6R12	SCREW ----- *-----	4							
	2200001-58	LINE ASSY-MANIFOLD PRESSURE GAGE TO FIREWALL -----	1							
	AN816-4D	NIPPLE -----	1							
	2200001-59	LINE ASSY-FUEL PRESSURE GAGE TO FIREWALL -----	1							
	S2491-1	SNUBBER IN PRESS PORT -----	1							
	2200001-60	LINE ASSY-FUEL VENT GAGE TO FIREWALL -----	1							
	AN816-3D	NIPPLE IN VENT PORT -----	1							
	C668501-0205	INDICATOR KIT-EXHAUST GAS TEMP -----	1							
-54	C668501-0211	INDICATOR-EXHAUST GAS TEMP ----- ATTACHING PARTS	1							
	AN507B632R12	SCREW -----	4							
	NAS487-21	NUT ----- *-----	4							
	C668501-0204	PROBE-EXHAUST GAS TEMP -----	1							
	C668501-0206	LEAD-THERMOCOUPLE EXHAUST GAS TEMP -----	1							
-55	C664503-0101	GAGE-HOURMETER ----- ATTACHING PARTS	1							
	AN515-6R6	SCREW -----	2							
	MS21044N06	NUT ----- *-----	2							
-56	C668020-0117	TACHOMETER USED WITH S1605-2 TACH SHAFT -----	1							
	C668020-0217	TACHOMETER USED WITH S2550-2 TACH SHAFT ----- ATTACHING PARTS	1							
	AN515B6R12	SCREW ----- *-----	4							
	S1605-2	SHAFT-TACHOMETER USED WITH C668020-0117 ONLY -----	1							
	S2550-2	SHAFT-TACHOMETER USED WITH C668020-02117 ONLY -----	1							
-57	S1268-14	CONTROL ASSY-DEFROST -----	1							
-58	S1241-36	CONTROL ASSY-CABIN AIR -----	1							
	S1399-1	SLEEVE 16.00 IN LG -----	1							
-59	S1241-37	CONTROL ASSY-CABIN HEAT -----	1							
-60	0513052-20	LIGHTER ASSY-CAGAR -----	1							
	L4858-1	PLUG-HEATING CUE -----	1							
	S1982-1	KNOB-LIGHTER -----	1							
	60232-1	CIRCUIT BREAKER-LIGHTER -----	1							
-61	1247243	SWITCH-THERMOSTAT AIR CONDITIONER ARA -----	1							
	S1980-5	KNOB-AIR CONDITIONER SWITCH -----	1							
-62	0882590	SWITCH-BLOWER AIR CONDITIONER -----	1							
	S1980-5	KNOB-BLOWER SWITCH AIR CONDITIONER -----	1							
-63	SEE FIG 164	FLAP CONTROL DETAIL INSTL -----	1							
-64	9862010-1	CONTROL ASSY-MIXTURE -----	1							
-65	9862067-10	CONTROL ASSY-PROPELLER -----	1							
	S1450-19A16-050	WASHER-PROP CONTROL -----	1							
	NAS43DD12-64	SPACER-PROP CONTROL -----	1							
-66	9863056-7	CONTROL ASSY-THROTTLE -----	1							
-67	565-740-074	CONTROL ASSY-CARBURETOR HEAT -----	1							
-68	C291502-0106	PRIMER ASSY-ENGINE -----	1							
	S1974-1	KNOB ASSY-PRIMER -----	1							
	NAS1593-012	O-RING -----	2							
-69	S1980-1	KNOB ASSY-INSTRUMENT LIGHTS DIMMING ----- ATTACHING PARTS	2							
	AN565D8H2	SET SCREW ----- *-----	1							
	S1904-2	RESISTOR-VARIABLE LIGHT DIMMING -----	2							
	S2000C201J	RESISTOR-INSTRUMENT DIMMING -----	1							
	S2091-7	RESISTOR-VARIABLE TANDEM WITH ELECTROLUMINESCENT PNL -----	1							
	S1995-1	KNOB ASSY USED WITH ELECTROLUMINESCENT PNL -----	1							
	S1995-2	KNOB -----	1							
	S1995-3	KNOB -----	1							
-70	C292501-0105	KIT-IGNITION SWITCH -----	1							
-71	S1994-1-1	SWITCH-MASTER -----	1							
	S1843-2	MOUNTING BEZEL-MASTER SWITCH -----	1							
-72	S2160-1	SWITCH-INSTRUMENT PANEL -----	7							
-73	S1232-60	CIRCUIT BREAKER 60 AMP -----	1							
-74	S1360-10L	CIRCUIT BREAKER 10 AMP -----	2							
-75	S1360-10L	CIRCUIT BREAKER 10 AMP -----	2							

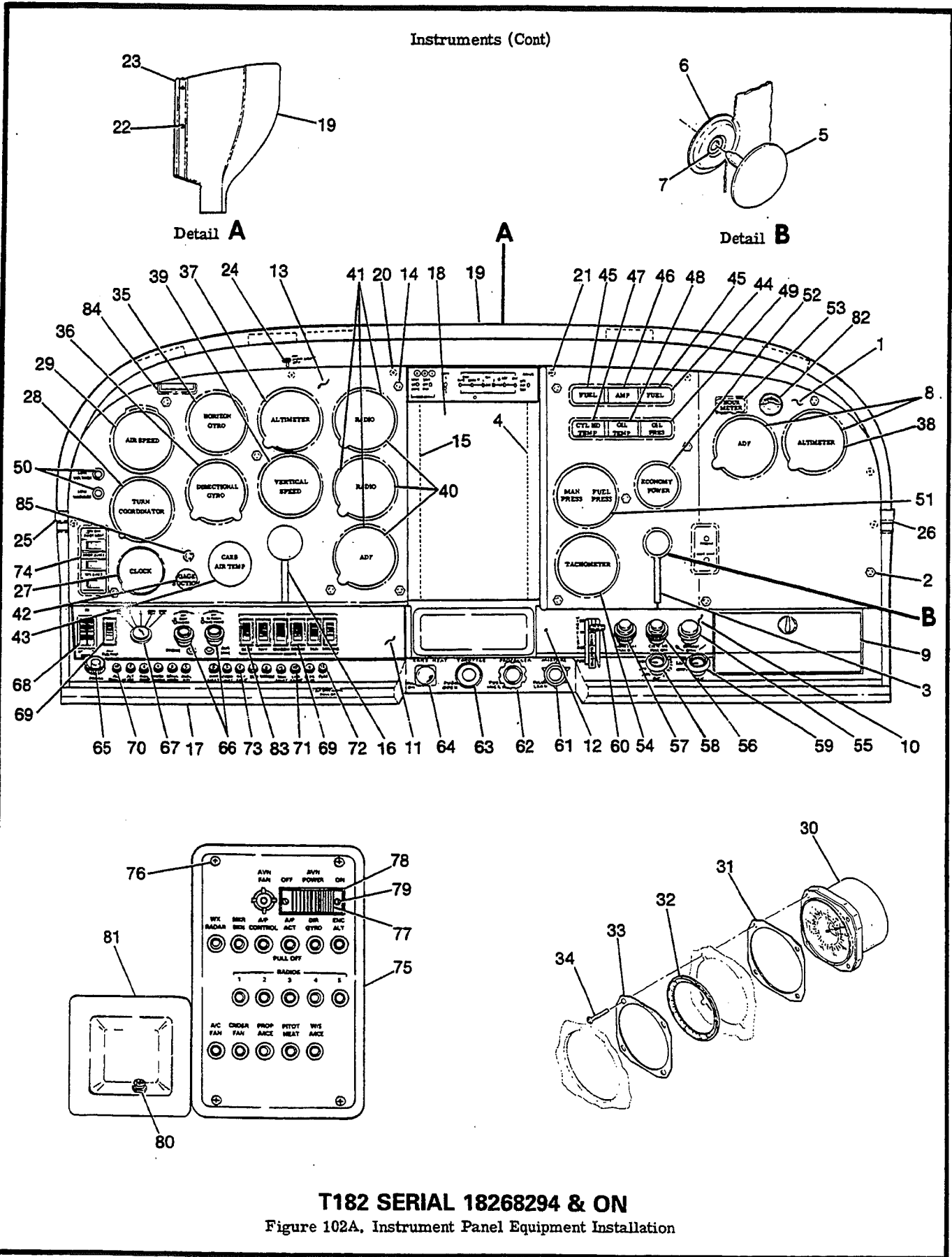
CONTINUED ON NEXT PAGE

# 182 & T182 Parts Catalog

FIGURE AND INDEX NO.	PART NUMBER	DESCRIPTION							UNITS PER ASSY	USABLE ON CODE	
		1	2	3	4	5	6	7			
102 -76	S1360-5L	CIRCUIT BREAKER 5 AMP -----							10	B C	
	2270020-1	BUS BAR-CIRCUIT BREAKER -----							2		
	2270020-2	BUS BAR-CIRCUIT BREAKER -----							1		
	2270020-4	BUS BAR-CIRCUIT BREAKER -----							1		
	2270020-5	BUS BAR-CIRCUIT BREAKER -----							1		
	-77	2213092-1-A59	COVER ASSY GRAY -----								1
		2213092-1-279	COVER ASSY BLACK -----								1
	-78	1270092-14-A59	PANEL ASSY-AVIONIC GRAY -----								1
		1270092-17-A59	PANEL ASSY-AVIONIC GRAY -----								1
			ATTACHING PARTS								
	-79	AN515-8R8	SCREW -----								4
			*-----								
	-80	S2281-1	SWITCH -----								1
	-81	2270008-2	GUAR-SWITCH -----								1
			ATTACHING PARTS								
-82	AN515B6R8	SCREW -----							2		
		*-----									
-83	S2326-2	CIRCUIT BREAKER 100 AMP USED WITH 95 AMP ALTERNATOR -							1		
-84	2215049-1	COVER ASSY USED WITH 95 AMP ALTERNATOR -----							1		
	2270014-2	BUS BAR -----							1		
<p>NOTE. * THESE GYROS ARE PHYSICALLY &amp; FUNCTIONALLY INTERCHANGEABLE.</p> <p>NOTE. ** THESE GYROS ARE PHYSICALLY &amp; FUNCTIONALLY INTERCHANGEABLE.</p> <p>NOTE. *** USE ALSO AS A SECOND ALTIMETER FOR DUAL ALTIMETER INSTALLATION.</p> <p>NOTE. % AN EXCHANGE PART IS ALSO AVAILABLE REFER TO MASTER PRICE LIST.</p> <p>A---T182 SERIAL 18267716 THRU 18268293            B---T182 SERIAL 18267716 THRU 18268055            C---T182 SERIAL 18268056 THRU 18268293            D---T182 SERIAL 18267716 THRU 18267982            E---T182 SERIAL 18267983 THRU 18268293</p>											

# 182 & T182 Parts Catalog

## Instruments (Cont)



**T182 SERIAL 18268294 & ON**  
 Figure 102A, Instrument Panel Equipment Installation

# 182 & T182 Parts Catalog

FIGURE AND INDEX NO.	PART NUMBER	DESCRIPTION	UNITS PER ASSY							USABLE ON CODE	
			1	2	3	4	5	6	7		
102A-		INSTRUMENT PANEL EQUIPMENT INSTALLATION -----								NP	A
	SEE FIG 106A	INSTRUMENT PANEL ASSY-STATIONARY -----								1	
	SEE FIG 106A	PANEL-SHOCK MOUNTED -----								1	
- 1	2213071-31-A59	COVER ASSY-UPPER RH PANEL GRAY -----								1	B
	2213071-31-279	COVER ASSY-UPPER RH PANEL BLACK -----								1	B
	2213071-36-E83	COVER ASSY-UPPER RH PANEL GRAY -----								1	C
	2213071-36-279	COVER ASSY-UPPER RH PANEL BLACK -----								1	C
		ATTACHING PARTS									
- 2	0413613-1-A59	NUT INSTRUMENT PANEL COVER ATTACH GRAY -----								7	B
	0413613-1-E83	NUT INSTRUMENT PANEL COVER ATTACH GRAY -----								7	C
	0413613-1-279	NUT INSTRUMENT PANEL COVER ATTACH BLACK -----								7	
		*-----									
- 3	1213163-2	LAP SEAL GRAY -----								1	B
	1213163-1	LAP SEAL BLACK -----								1	B
	S2611-1-2.50-E80	CHANNEL GRAY -----								1	C
	S2611-1-2.50-156	CHANNEL BLACK -----								1	C
- 4	S2092-6	FASTENER-FABRIC 11.80 IN LG. -----								1	
- 5	0713346-6-A59	CAP ASSY WHEN RH CONTROL NOT INSTALLED GRAY -----								1	B
	0713346-6-279	CAP ASSY WHEN RH CONTROL NOT INSTALLED BLACK -----								1	B
- 6	0713346-1	BACKING ASSY WHEN RH CONTROL NOT INSTALLED -----								1	B
- 7	MS35489-4	GROMMET -----								1	B
- 8	1513190-58-A59	COVER WHEN OPT INSTRUMENTS NOT INSTALLED GRAY -----								1	
	1513190-58-279	COVER WHEN OPT INSTRUMENTS NOT INSTALLED BLACK -----								1	
- 9	SEE FIG 111A	MAP COMPARTMENT INSTALLATION -----								NP	
-10	1213363-18	PANEL-LOWER RH UNLIGHTED -----								1	
	1213363-17	PANEL-LOWER RH ELECTROLUMINESCENT -----								1	
-11	2213039-10	PANEL-LOWER LH SWITCH ELECTROLUMINESCENT -----								1	
-12	S1022Z4-8	SCREW -----								1	
-13	2213126-1-A59	COVER ASSY-UPPER LH GRAY WEU 2213126-5-A59 -----								1	B
	2213126-1-279	COVER ASSY-UPPER LH BLACK WEU 2213126-5-279 -----								1	B
	2213126-10-E83	COVER ASSY-UPPER LH GRAY WEU 2213126-5-E83 -----								1	D
	2213126-10-279	COVER ASSY-UPPER LH BLACK WEU 2213126-5-279 -----								1	D
	2213126-5-A59	COVER ASSY-UPPER LH GRAY -----								1	E
	2213126-5-E83	COVER ASSY-UPPER LH GRAY -----								1	E
	2213126-5-279	COVER ASSY-UPPER LH BLACK -----								1	E
		ATTACHING PARTS									
-14	0413613-1-A59	NUT GRAY -----								7	B
	0413613-1-E83	NUT GRAY -----								7	C
	0413613-1-279	NUT BLACK -----								7	
		*-----									
-15	S2092-6	FASTENER-FABRIC -----								1	
-16	1213335-1	LAP SEAL GRAY -----								1	B
	1213335-2	LAP SEAL BLACK -----								1	B
	S2611-1-2.10-E80	CHANNEL GRAY -----								1	C
	S2611-1-2.10-156	CHANNEL BLACK -----								1	C
-17	2213072-10	COVER-INSTRUMENT PANEL LWR -----								1	
-18	1213756-4	COVER ASSY-RADIO STACK -----								1	
	S2092-5	FASTENER-HOOK 11.80 IN LG -----								2	
-19	0713993-10	GLARESHIELD ASSY -----								1	
		ATTACHING PARTS									
-20	AN525-832R8	SCREW -----								6	
-21	AN525-832R10	SCREW -----								2	
-22	AN515B8R8	SCREW -----								6	
	S1450-3A8-032	WASHER -----								6	
		*-----									
-23	0713993-5	TRIM-GLARESHIELD -----								1	
	SEE FIG 187	LIGHT INSTALLATION-GLARESHIELD -----								1	
-24	S1695-2	SWITCH-MAPLIGHT -----								1	
-25	1213957-3	SPLICE CAP-LH -----								1	
-26	1213957-4	SPLICE CAP-RH -----								1	
-27	C664508-0102	CLOCK-ELECTRIC -----								1	
	C664508-0201	CLOCK-ELECTRIC ALT -----								1	
	C664508-0202	CLOCK-ELECTRIC ALT -----								1	
	C664511-0102	CLOCK-DIGITAL -----								1	
		ATTACHING PARTS									
	AN515B6R12	SCREW -----								2	
		*-----									
	S2413-1	SOCKET-DIGITAL CLOCK LIGHT -----								1	
-28	MS25231-1819	BULB-DIGITAL CLOCK -----								1	
	C661003-0506	INDICATOR-TURN COORDINATOR -----								1	
	C661003-0507	INDICATOR-TURN COORDINATOR ALT -----								1	
		ATTACHING PARTS									
	AN515B6R12	SCREW -----								4	
	AN936B6B	WASHER -----								4	
		*-----									

CONTINUED ON NEXT PAGE

# 182 & T182 Parts Catalog

FIGURE AND INDEX NO.	PART NUMBER	DESCRIPTION	UNITS PER ASSY							USABLE ON CODE	
			1	2	3	4	5	6	7		
102A-29	C661064-0236 %	INDICATOR-AIRSPEED -----								1	
	AN515B6R12	ATTACHING PARTS -----								4	
		SCREW -----									
		*-----									
		TRUE AIRSPEED INDICATOR INSTALLATION -----								NP	
-30	C661065-0236	INDICATOR-AIRSPEED -----								1	
-31	0700162-3	SPACER .051 THICKNESS -----								AR	
	0700162-4	SPACER .063 THICKNESS -----								AR	
	0700162-6	SPACER .071 THICKNESS -----								AR	
	0700162-7	SPACER .040 THICKNESS -----								AR	
-32	S2234-2	RING-TRUE AIRSPEED -----								1	
-33	0700162-1	RETAINER ASSY -----								1	
		ATTACHING PARTS -----									
-34	AN515B6R16	SCREW -----								4	
		*-----									
-35	C661076-0102 *	GYRO-HORIZON -----								1	
	C661076-0101 *	GYRO-HORIZON ALT -----								1	
	C661076-0103 *	GYRO-HORIZON ALT -----								1	
	C661076-0105 *	GYRO-HORIZON ALT -----								1	
	C661076-0106 *	GYRO-HORIZON ALT -----								1	
	C661076-0108 *	GYRO-HORIZON ALT -----								1	
	51640-0010	GYRO-HORIZON SPRS ALL 400B AUTOPILOT -----								1	E F I E
		ATTACHING PARTS -----									
	AN515-6R6	SCREW -----								4	
		*-----									
-36	C661075-0101 **	GYRO-DIRECTIONAL -----								1	
	C661075-0103 **	GYRO-DIRECTIONAL ALT -----								1	
	C661075-0104 **	GYRO-DIRECTIONAL ALT -----								1	
	C661075-0106 **	GYRO-DIRECTIONAL ALT -----								1	
	40760-0104	GYRO-DIRECTIONAL SPRS NAV-O-MATIC 300A -----								1	
	40760-0114	GYRO-DIRECTIONAL SPRS ALT FOR 40760-0104 -----								1	
	44690-2000	INDICATOR-HSI SPRS COMBINATION UNSLAVED DIRECTIONAL -----								1	
		GYRO & COURSE DEVIATION INDICATOR -----									
	44760-0000	GYRO-DIRECTIONAL SPRS SLAVED-400B AUTOPILOT -----								1	
	44690-0000	INDICATOR-HSI SPRS SLAVED 400B-AUTOPILOT -----								1	
		ATTACHING PARTS -----									
	AN515-6R6	SCREW -----								3	
	AN515B632R12	SCREW -----								4	
		*-----									
-37	C661071-0101	ALTIMETER 20,000 FT FT & IN -----								1	
	C661025-0102	ALTIMETER 35,000 FT MILLIBARS 20 FT INCREMENTS --								1	
-38	C661071-0102 ***	ALTIMETER 20,000 FT FT & MILLIBARS -----								1	
		ATTACHING PARTS -----									
	AN515B6R12	SCREW -----								4	
		*-----									
-39	C661080-0101	INDICATOR-VERTICAL SPEED -----								1	
		ATTACHING PARTS -----									
	AN515BR12	SCREW -----								3	
		*-----									
-40		RADIO INSTALLATION SEE AVIONICS SERVICE/PARTS MANUAL -----								NP	
-41	1513190-58-A59	CAP USED WHEN OPT INSTRUMENT NOT INSTALLED GRAY -----								3	
	1513190-58-279	CAP USED WHEN OPT INSTRUMENT NOT INSTALLED BLACK -----								3	
-42	C668509-0101	GAGE-SUCTION -----								1	
-43	S1311-4	GAGE-CARBURETOR AIR TEMP -----								1	
		ATTACHING PARTS -----									
	AN507B632R12	SCREW -----								4	
	NAS487-21	NUT -----								4	
		*-----									
-44	C669545-0111	INSTRUMENT CLUSTER -----								1	
		ATTACHING PARTS -----									
	NAS43DD3-64	SPACER -----								2	
	AN507B832R24	SCREW -----								2	
	AN340BB	NUT -----								2	
		*-----									
-45	6246-00227	GAGE-FUEL ROCH -----								2	
-46	6246-00109	AMMETER ROCH -----								1	
-47	6246-00225	GAGE-CYLINDER HEAD TEMP ROCH -----								1	
-48	6246-00215	GAGE-OIL TEMP ROCH -----								1	

CONTINUED ON NEXT PAGE

# 182 & T182 Parts Catalog

FIGURE AND INDEX NO.	PART NUMBER	DESCRIPTION							UNITS PER ASSY	USABLE ON CODE	
		1	2	3	4	5	6	7			
102A-49	2646-00054	GAGE-OIL PRESSURE ROCH -----							1		
	0700099-37	LINE ASSY-OIL PRESSURE GAGE TO FIREWALL -----							1		
	S2334-3	SENDING UNIT-CYLINDER HEAD TEMP -----							1		
	AN900-6	GASKET-SENDING UNIT -----							1		
	0770139EC1	WIRE-CYLINDER HEAD TEMP GAGE TO SENDING UNIT -----							1		
	1270479-3	LIGHT ASSY-INSTRUMENT CLUSTER -----							2		
	S1894-4	BULB-INSTRUMENT CLUSTER CLEAR -----							3		
	S1941-1	FILTER-LIGHT -----							3		
	-50	S2135-2	LIGHT ASSY-LOW VOLTAGE & LOW VACUUM -----							2	
		S2519-2	LIGHT ASSY-LOW VOLTAGE & LOW VACUUM ALT -----							2	
-51	C662038-0101	GAGE-MANIFOLD PRESSURE & FUEL PRESSURE -----							1		
	AN515B6R12	ATTACHING PARTS									
		SCREW -----							4		
		*-----									
	2200001-58	LINE ASSY-MANIFOLD PRESSURE GAGE TO FIREWALL -----							1		
	AN816-4D	NIPPLE -----							1		
	2200001-59	LINE ASSY-FUEL PRESSURE GAGE TO FIREWALL -----							1		
	S2491-1	SNUBBER IN PRESS PORT -----							1		
	2200001-60	LINE ASSY-FUEL VENT GAGE TO FIREWALL -----							1		
	AN816-30	NIPPLE IN VENT PORT -----							1		
	C668501-0205	INDICATOR KIT-EXHAUST GAS TEMP -----							1		
-52	C668501-0211	INDICATOR-EXHAUST GAS TEMP -----							1		
		ATTACHING PARTS									
	AN507B632R12	SCREW -----							4		
	NAS487-21	NUT -----							4		
		*-----									
	C668501-0204	PROBE-EXHAUST GAS TEMP -----							1		
	C668501-0206	LEAD-THERMOCOUPLE EXHAUST GAS TEMP -----							1		
-53	C664503-0101	GAGE-HOURMETER -----							1		
		ATTACHING PARTS									
	AN515-6R6	SCREW -----							2		
	MS21044N06	NUT -----							2		
		*-----									
-54	C668020-0117	TACHOMETER -----							1		
	C668020-0217	TACHOMETER ALT -----							1		
		ATTACHING PARTS									
	AN515B6R12	SCREW -----							4		
		*-----									
	S1605-2	SHAFT-TACHOMETER USED WITH C668020-0117 -----							1		
	S2550-2	SHAFT-TACHOMETER USED WITH C668020-0217 -----							1		
-55	S1268-14	CONTROL ASSY-DEFROST -----							1		
-56	S1241-36	CONTROL ASSY-CABIN AIR -----							1		
	S1399-1	SLEEVE 16.00 IN LG -----							1		
-57	S1241-37	CONTROL ASSY-CABIN HEAT -----							1		
-58	1247243	SWITCH-THERMOSTAT AIR CONDITIONER ARA -----							1		
	S1980-5	KNOB-AIR CONDITIONER SWITCH -----							1		
-59	0882590	SWITCH-BLOWER AIR CONDITIONER -----							1		
	S1980-5	KNOB-BLOWER SWITCH AIR CONDITIONER -----							1		
-60	SEE FIG 164	FLAP CONTROL DETAIL INSTL -----							1		
-61	9862010-1	CONTROL ASSY-MIXTURE -----							1		
-62	9862067-10	CONTROL ASSY-PROPELLER -----							1		
	S1450-19A16-050	WASHER-PROP CONTROL -----							1		
	NAS43DD12-64	SPACER-PROP CONTROL -----							1		
-63	9863056-7	CONTROL ASSY-THROTTLE -----							1		
-64	565-740-074	CONTROL ASSY-CARBURETOR HEAT -----							1		
-65	C291502-0106	PRIMER ASSY-ENGINE -----							1		
	S1974-1	KNOB ASSY -----							1		
	NAS1593-012	O-RING -----							2		
	S2592-1	SWITCH-ELECTRIC PRIMER -----							1		
	S2592-2	ADAPTOR-ELECTRIC PRIMER -----							1		
	S2592-3	GUARD-ELECTRIC PRIMER -----							1		
-66	S1980-1	KNOB ASSY-INSTRUMENT LIGHTS DIMMING -----							2		
		ATTACHING PARTS									
	AN565D8H2	SET SCREW -----							1		
		*-----									
	S1904-2	RESISTOR-VARIABLE LIGHT DIMMING -----							2		
	S2000C201J	RESISTOR -----							1		
	S2091-7	RESISTOR-VARIABLE TANDEM WITH ELECTROLUMINESCENT PNL -----							1		
	S1995-1	KNOB ASSY USED WITH ELECTROLUMINESCENT PNL -----							1		
	S1995-2	KNOB -----							1		
	S1995-3	KNOB -----							1		

CONTINUED ON NEXT PAGE

# 182 & T182 Parts Catalog

FIGURE AND INDEX NO.	PART NUMBER	DESCRIPTION	UNITS PER ASSY							USABLE ON CODE	
			1	2	3	4	5	6	7		
102A-67	C292501-0104	KIT-IGNITION SWITCH -----								1	E
-68	S1994-1-1	SWITCH-MASTER -----								1	
	S1843-2	MOUNTING BEZEL-MASTER SWITCH -----								1	
-69	S2160-1	SWITCH-INSTRUMENT PANEL -----								6	
-70	S1232-60	CIRCUIT BREAKER 60 AMP -----								1	
	CM3589-15	SWITCH/CIRCUIT BREAKER 15 AMP USED WITH ----- ELECTRIC DRIVEN VACUUM SYSTEM								1	
-71	S1360-10L	CIRCUIT BREAKER 10 AMP -----								2	
-72	S1360-10L	CIRCUIT BREAKER 10 AMP -----								2	
-73	S1360-5L	CIRCUIT BREAKER 5 AMP -----								10	
	2270020-1	BUS BAR-CIRCUIT BREAKER -----								1	
	2270020-7	BUS BAR-CIRCUIT BREAKER -----								2	
	2270020-4	BUS BAR-CIRCUIT BREAKER -----								1	
	2270020-6	BUS BAR-CIRCUIT BREAKER -----								1	
	2270020-8	BUS BAR-CIRCUIT BREAKER -----								1	
-74	2213131-1-A59	COVER ASSY GRAY -----								1	
	2213131-1-279	COVER ASSY BLACK -----								1	
-75	2270042-1-A59	PANEL ASSY-AVIONIC LIGHT GRAY -----								1	
	2270042-1-279	PANEL ASSY-AVIONIC BLACK -----								1	
	2270042-1-532	PANEL ASSY-AVIONIC CLOUD GRAY -----								1	
		ATTACHING PARTS									
-76	AN515-8R8	SCREW -----								4	
		-----*									
-77	S2281-1	SWITCH-AVIONICS POWER -----								1	
-78	2270008-2	GUARD-SWITCH -----								1	
		ATTACHING PARTS									
-79	AN515B6R8	SCREW -----								2	
		-----*									
-80	S2326-2	CIRCUIT BREAKER 100 AMP USED WITH 95 AMP ALTERNATOR -----								1	
-81	2215049-1	COVER ASSY USED WITH 95 AMP ALTERNATOR -----								1	
	2270014-2	BUS BAR -----								1	
-82	C662503-0108	GAGE-PROP DEICE AMMETER 2 BLADED PROP ONLY -----								1	
	C662503-0107	GAGE-PROP DEICE AMMETER 3 BLADED PROP ONLY -----								1	
-83	S2160-3	SWITCH-WING DEICE LIGHT -----								1	
-84	1213004-1	RETAINER-AIRCRAFT IDENTIFICATION NUMBER -----								1	
		ATTACHING PARTS									
		SCREW -----								2	
	S102274-8	NUT -----								2	
	NAS446-1-3	-----*									
-85	2201128-1	COVER-BACKCOURSE LIGHT -----								1	
		NOTE. *THESE GYROS ARE PHYSICALLY & FUNCTIONLY INTERCHANGEABLE									
		NOTE. **THESE GYROS ARE PHYSICALLY & FUNCTIONLY INTERCHANGEABLE									
		NOTE. ***USE ALSO AS A SECOND ALTIMETER FOR DUAL ALTIMETER INSTALLATION									
		NOTE. %AN EXCHANGE PART IS ALSO AVAILABLE REFER TO THE MASTER PRICE LIST.									
		A---T182 SERIAL 18268294 & ON									
		B---T182 SERIAL 18268294 THRU 18268383									
		C---T182 SERIAL 18268384 & ON									
		D---T182 SERIAL 18268369 THRU 18268434									
		E---T182 SERIAL 18268435 & ON									

# 182 & T182 Parts Catalog

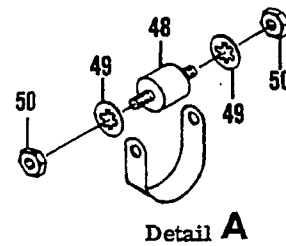
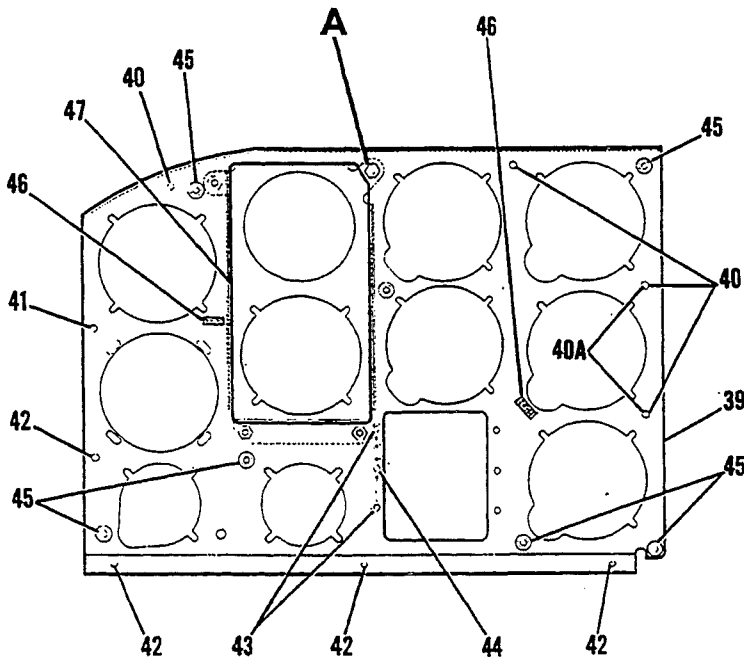
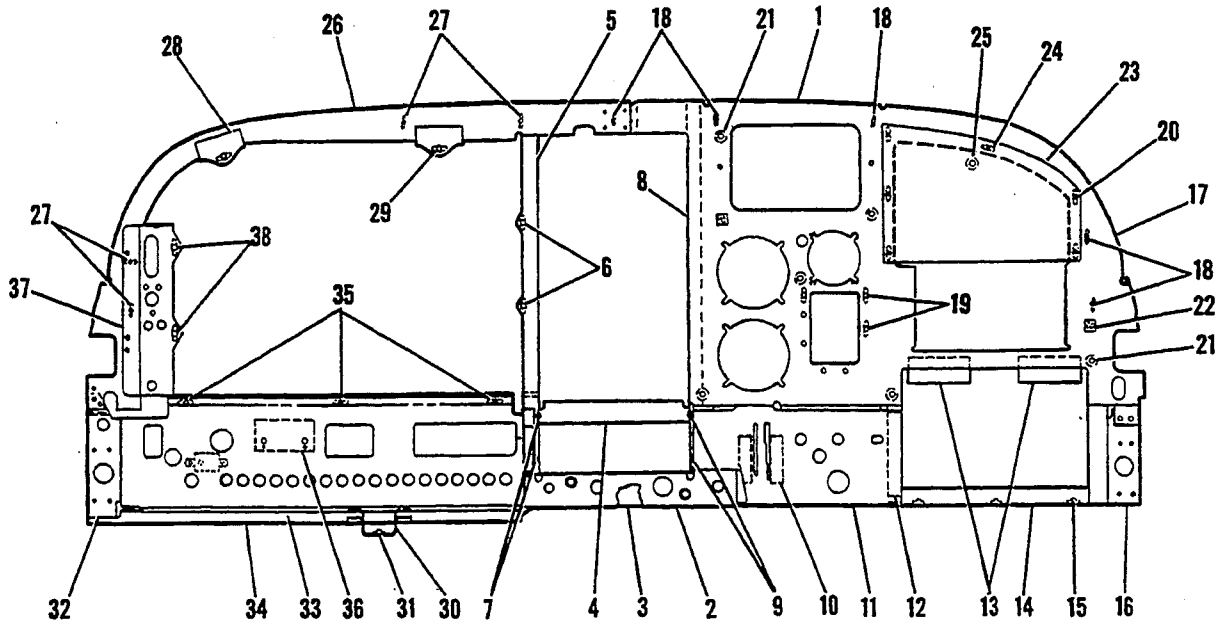
FIGURE AND INDEX NO.	PART NUMBER	DESCRIPTION	UNITS PER ASSY	USABLE ON CODE
103 - 1	0713482-1	STATIONARY INSTRUMENT PANEL STRUCTURE ASSY -----	1	A D
- 2	0713482-2	STATIONARY INSTRUMENT PANEL STRUCTURE ASSY -----	1	
- 3	0713266-3	PANEL-LOWER CENTER -----	1	
- 4	0713775-1	REINFORCEMENT -----	1	
	1213650-1	SUPPORT-INSTRUMENT PANEL -----	1	
	AN515-6R8	ATTACHING PARTS SCREW -----	2	
		*-----		
- 5	1213374-5	SUPPORT ASSY-INSTRUMENT PANEL LH -----	1	B C E
	1213374-11	SUPPORT ASSY-INSTRUMENT PANEL LH -----	1	
	0713347-1	SUPPORT ASSY-INSTRUMENT PANEL LH -----	1	
- 6	NAS684A3	NUTPLATE -----	2	
- 7	NAS1068A06L	NUTPLATE -----	2	
- 8	1213374-6	SUPPORT ASSY-INSTRUMENT PANEL RH -----	1	B C E
	1213374-12	SUPPORT ASSY-INSTRUMENT PANEL RH -----	1	
	0713347-2	SUPPORT ASSY-INSTRUMENT PANEL RH -----	1	
- 9	NAS1068A06L	NUTPLATE -----	2	
- 10	1262001-3	BRACKET-FLAP CONTROL MOUNTING -----	1	
- 11	0713770-11	PANEL-INSTRUMENT LOWER RH -----	1	
- 12	1213145-1	BRACKET-GLOVE BOX MOUNTING -----	1	
- 13	0713776-1	STOP-DOOR -----	2	
- 14	0713779-1	ANGLE ASSY-DOOR MOUNTING -----	1	
- 15	NAS697A08	NUTPLATE -----	3	
	0713809-1	CLIP-WIRE RETAINER -----	2	
- 16	0713864-1	BRACKET-BULKHEAD ADAPTOR -----	1	

CONTINUED ON NEXT PAGE



# 182 & T182 Parts Catalog

## Instruments (Cont)



182 SERIAL 18262466 THRU 18265175  
 F182 SERIAL F18200001 THRU F18200025

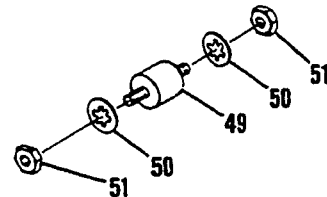
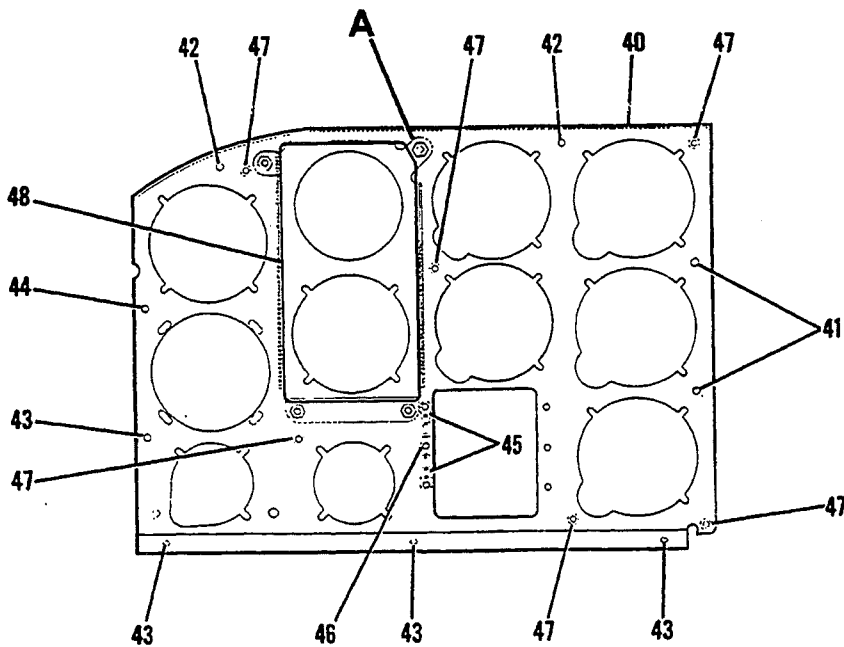
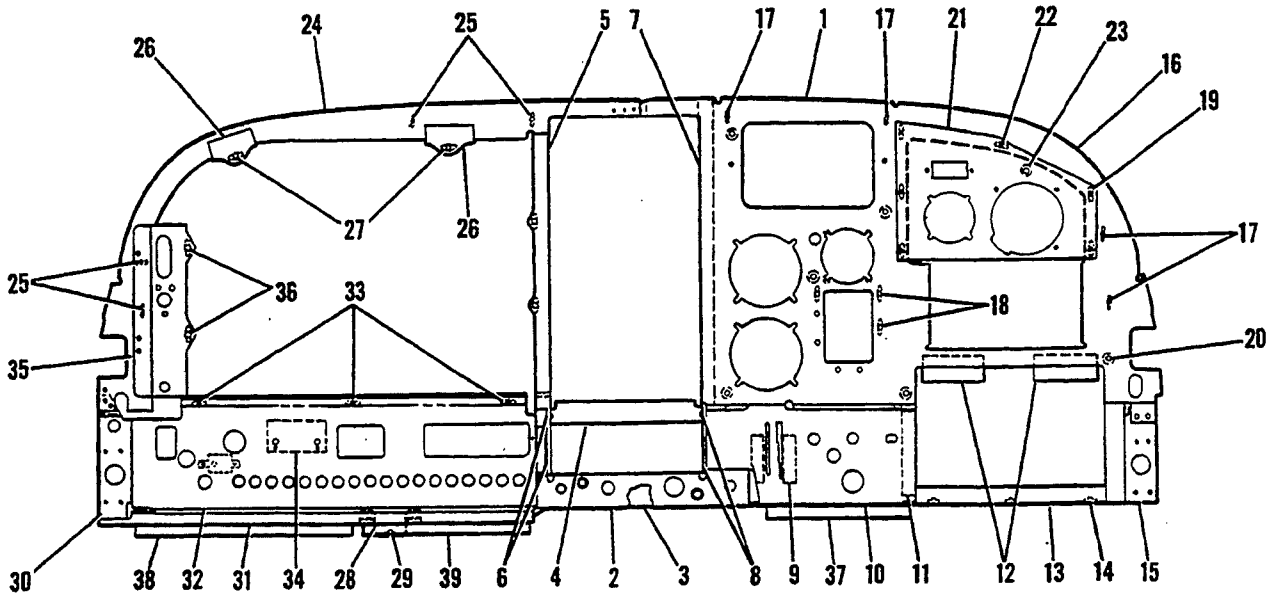
Figure 103. Stationary Instrument Panel Structure Assembly

# 182 & T182 Parts Catalog

FIGURE AND INDEX NO.	PART NUMBER	DESCRIPTION							UNITS PER ASSY	USABLE ON CODE
		1	2	3	4	5	6	7		
103 -17	0713480-1	PANEL ASSY RH-STATIONARY -----							1	A D
-18	0713480-3	PANEL ASSY RH-STATIONARY -----							1	
-19	NAS680A08	NUTPLATE -----							5	
-20	NAS697A08	NUTPLATE -----							3	
-21	NAS697A06L	NUTPLATE -----							6	
-22	MS35489-4	GROMMET -----							6	
	1213337-3	FASTENER -----							2	
	1213337-9	SHIM -----							2	
-23	1213694-2	COVER ASSY-ACCESS -----							1	
	1213387-7	COVER ASSY-ACCESS DUAL ALTIMETER INSTL ONLY -----							1	
-24	NAS601-5	ATTACHING PARTS -----							6	
		SCREW -----								
		*-----								
-25	MS35489-4	GROMMET -----							1	
-26	0713326-1	BULKHEAD ASSY-LH INSTRUMENT PANEL -----							1	A D
	0713326-3	BULKHEAD ASSY-LH INSTRUMENT PANEL -----							1	
-27	NAS697A08	NUTPLATE -----							4	
-28	1213169-12	SUPPORT ASSY-REMOVABLE PANEL -----							2	
-29	NAS697A08	NUTPLATE -----							1	
-30	0713267-1	ATTACH ASSY-PARKING BRAKE -----							1	
-31	NAS697A3	NUTPLATE -----							1	
-32	0713783-3	BRACKET-BULKHEAD ADAPTOR -----							1	
-33	1213062-11	SUPPORT ASSY-LOWER LH INSTRUMENT PANEL -----							1	
	NAS682A3	NUTPLATE -----							1	
-34	0713336-1	SWITCH PANEL ASSY -----							1	
-35	NAS697A08	NUTPLATE -----							3	
-36	1270707-1	BRACKET ASSY-RELAY -----							1	
	1270707-2	BRACKET -----							1	
	SEE FIG 93	RELAY -----							1	
-37	0713338-1	BRACKET ASSY-LH INSTRUMENT PANEL SUPPORT WEU 0713338-3 -----							1	
	0713338-3	BRACKET ASSY-LH INSTRUMENT PANEL SUPPORT -----							1	
-38	NAS697A3	NUTPLATE -----							2	
-39	0713481-3	PANEL ASSY-REMOVABLE WEU 0713481-5 -----							1	
	0713481-5	PANEL ASSY-REMOVABLE -----							1	
		ATTACHING PARTS -----								
-40	NAS221-12	SCREW -----							4	F F F F F F F F F F F
	NAS221-12	SCREW -----							2	
	NAS42HT6-19	SPACER -----							4	
	NAS42HT6-19	SPACER -----							2	
-40A	AN507-632R6	SCREW -----							2	
	S1477-06	NUT -----							2	
	NAS42HT6-23	SPACER -----							2	
-41	NAS514P1032-10	SCREW -----							2	
-42	NAS221-6	SCREW -----							4	
		*-----								
-43	NAS696A08	NUTPLATE -----							2	
-44	NAS697A08	NUTPLATE -----							1	
-45	MS35489-4	GROMMET -----							7	
-46	1213327-12	FASTENER -----							2	
	1213327-14	SHIM -----							2	
-47	1213170-8	PANEL-SHOCK MOUNTED -----							1	
		ATTACHING PARTS -----								
-48	1213645-1	SHOCK MOUNT -----							4	
-49	AN936A8	WASHER -----							8	
-50	AN340B8	NUT -----							8	
		*-----								
-54	N515B6R12	SCREW -----							4	
		A---182 SERIAL 18262466 THRU 18264295 B---182 SERIAL 18262466 THRU 18263475 C---182 SERIAL 18263476 THRU 18265082 D---182 SERIAL 18264296 THRU 18265175 F182 SERIAL F1820001 THRU F18200025 E---182 SERIAL 18265083 THRU 18265175 F---182 SERIAL 18262466 THRU 18265082								

# 182 & T182 Parts Catalog

## Instruments (Cont)



Detail A

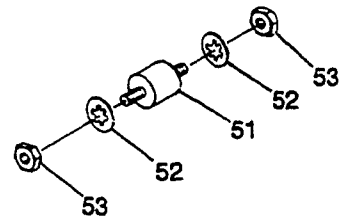
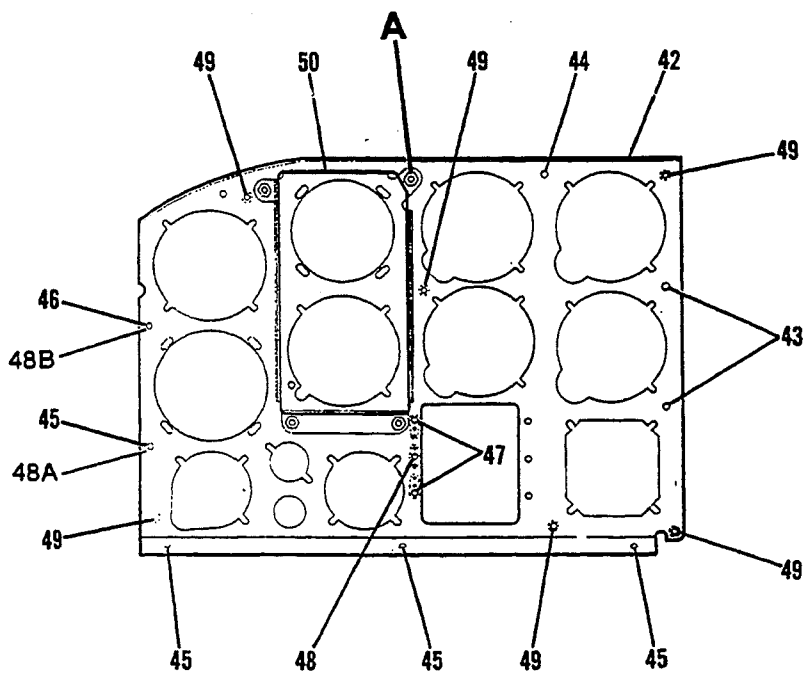
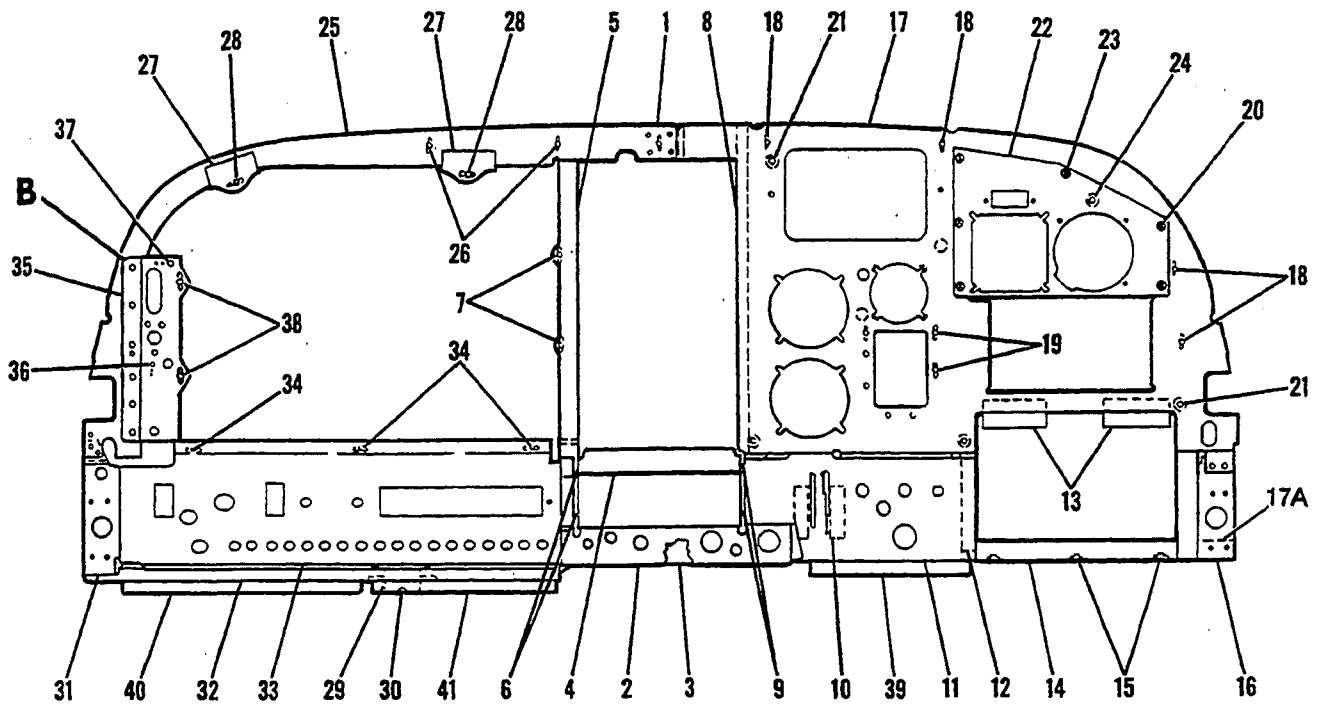
182 SERIAL 1825176 THRU 18265965  
 F182 SERIAL F18200026 THRU F18200064  
 Figure 104. Stationary Instrument Panel Structure Assembly

# 182 & T182 Parts Catalog

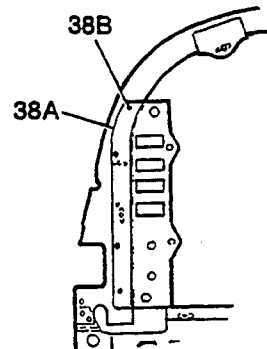
FIGURE AND INDEX NO.	PART NUMBER	DESCRIPTION							UNITS PER ASSY	USABLE ON CODE
		1	2	3	4	5	6	7		
104 - 1	0713482-3	STATIONARY INSTRUMENT PANEL STRUCTURE ASSY -----							1	A
- 2	0713266-5	PANEL-LOWER CENTER -----							1	
- 3	0713775-7	REINFORCEMENT -----							1	
- 4	1213650-1	SUPPORT-INSTRUMENT PANEL -----							1	
	AN515-6R8	ATTACHING PARTS								
		SCREW -----							2	
		-----*								
- 5	0713347-1	SUPPORT ASSY-INSTRUMENT PANEL LH -----							1	F
	2213044-11	SUPPORT ASSY-INSTRUMENT PANEL LH -----							1	
- 6	NAS697A06L	NUTPLATE -----							2	
- 7	0713347-2	SUPPORT ASSY-INSTRUMENT PANEL RH -----							1	F
- 8	NAS697A06L	NUTPLATE -----							2	
	2213044-10	SUPPORT ASSY-INSTRUMENT PANEL RH -----							1	
- 9	1262001-3	BRACKET-FLAP CONTROL MOUNTING -----							1	
-10	0713770-12	PANEL ASSY-INSTRUMENT LOWER RH -----							1	
	S1862-1A	NUTPLATE -----							2	
-11	1213145-1	BRACKET-GLOVE BOX MOUNTING -----							1	
-12	0713776-1	STOP-GLOVE BOX DOOR -----							2	
-13	0713779-1	ANGLE ASSY-DOOR MOUNTING -----							1	
-14	NAS697A08	NUTPLATE -----							3	
-15	0713864-1	BRACKET-BULKHEAD ADAPTOR -----							1	
-16	0713342-1	PANEL ASSY RH-STATIONARY -----							1	
-17	NAS680A08	NUTPLATE -----							4	
-18	NAS697A08	NUTPLATE -----							3	
-19	NAS697A06L	NUTPLATE -----							6	
-20	S2352-08-7	THREDSTUD -----							6	
-21	1213387-9	PANEL ASSY-REMOVABLE RH -----							1	
		ATTACHING PARTS								
-22	NAS601-5	SCREW -----							6	
		-----*								
-23	S2352-08-7	THREDSTUD -----							1	
-24	0713326-3	BULKHEAD ASSY-LH INSTRUMENT PANEL -----							1	
-25	NAS697A08	NUTPLATE -----							4	
-26	1213169-12	SUPPORT ASSY-REMOVABLE PANEL -----							2	
-27	NAS697A08	NUTPLATE -----							1	
-28	0713267-1	ATTACH ASSY-PARKING BRAKE -----							1	
-29	NAS697A3	NUTPLATE -----							1	
-30	0713783-3	BRACKET-BULKHEAD ADAPTOR -----							1	
-31	1213062-18	SUPPORT ASSY-LOWER LH INSTRUMENT PANEL -----							1	
	S1862-1A	NUTPLATE -----							4	
	NAS682A3	NUTPLATE -----							1	
-32	0713336-3	SWITCH PANEL ASSY -----							1	
-33	NAS697A08	NUTPLATE -----							3	
-34	1270707-1	BRACKET ASSY-RELAY -----							1	
	1270707-2	BRACKET -----							1	
	SEE FIG 184	RELAY -----							1	
-35	0713338-3	BRACKET ASSY-LH INSTRUMENT PANEL SUPPORT -----							1	
-36	NAS697A3	NUTPLATE -----							2	
-37	0513292-16	PROTECTOR ASSY-RH -----							1	
-38	0513292-17	PROTECTOR ASSY-LH -----							1	
-39	0513292-18	PROTECTOR ASSY-CENTER -----							1	
		ATTACHING PARTS								
	S1021Z6-7	SCREW -----							2	
		-----*								
-40	0713343-1	PANEL ASSY-REMOVABLE -----							1	
		ATTACHING PARTS								
-41	AN507-632R6	SCREW -----							2	
	NAS42HT6-23	SPACER -----							2	
	S1477-06	NUT -----							2	
-42	NAS221-12	SCREW -----							2	
	NAS42HT6-19	SPACER -----							2	
-43	NAS221-6	SCREW -----							4	
-44	NAS514P1032-10	SCREW -----							1	
		-----*								
-45	NAS696A08	NUTPLATE -----							2	
-46	NAS697A08	NUTPLATE -----							1	
-47	S2352-08-7	THREDSTUD -----							7	
-48	1213170-8	PANEL-SHOCK MOUNTED -----							1	
		ATTACHING PARTS								
-49	1213645-1	SHOCK MOUNT -----							4	
-50	AN936A8	WASHER -----							8	
-51	AN340B8	NUT -----							8	
		-----*								
		A---182 SERIAL 18265176 THRU 18265965								
		F182 SERIAL F18200026 THRU F18200064								

# 182 & T182 Parts Catalog

Instruments (Cont)



Detail A



Detail B

**182 SERIAL 18265966 THRU 18268293**  
**F182 SERIAL F18200065 THRU F18200169**

Figure 105. Stationary Instrument Panel Structure Assembly

# 182 & T182 Parts Catalog

FIGURE AND INDEX NO.	PART NUMBER	DESCRIPTION							UNITS PER ASSY	USABLE ON CODE
		1	2	3	4	5	6	7		
105 - 1	0713482-5	STATIONARY INSTRUMENT PANEL STRUCTURE ASSY -----							1	A
	0713482-8	STATIONARY INSTRUMENT PANEL STRUCTURE ASSY -----							1	N
	0713482-10	STATIONARY INSTRUMENT PANEL STRUCTURE ASSY -----							1	H
- 2	0713266-6	PANEL-LOWER CENTER -----							1	B
	0713266-7	PANEL-LOWER CENTER -----							1	C
- 3	0713775-7	REINFORCEMENT -----							1	B
	0713775-8	REINFORCEMENT -----							1	C
- 4	1213650-1	SUPPORT-INSTRUMENT PANEL -----							1	C
	AN515-6R8	ATTACHING PARTS -----								
	S1477-06	SCREW -----							2	
		NUT -----							2	D
		*-----								
- 5	2213044-1	SUPPORT ASSY-INSTRUMENT PANEL					LH	-----	1	A
	2213044-5	SUPPORT ASSY-INSTRUMENT PANEL					LH	-----	1	E
	2213044-11	SUPPORT ASSY-INSTRUMENT PANEL					LH	-----	1	F
- 6	NAS1068A06L	NUTPLATE -----							2	A
- 7	NAS684A3	NUTPLATE -----							2	F
- 8	2213044-2	SUPPORT ASSY-INSTRUMENT PANEL					RH	-----	1	A
	2213044-8	SUPPORT ASSY-INSTRUMENT PANEL					RH	-----	1	E
	2213044-10	SUPPORT ASSY-INSTRUMENT PANEL					RH	-----	1	F
- 9	NAS1068A06L	NUTPLATE -----							2	A
-10	1262001-3	BRACKET-FLAP CONTROL MOUNTING -----							1	F
-11	0713770-20	PANEL ASSY-INSTRUMENT PANEL					LOWER RH	-----	1	G
	0713360-1	PANEL ASSY-INSTRUMENT PANEL					LOWER RH	-----	1	H
	S1862-1A	NUTPLATE -----							2	
	NAS682A3	NUTPLATE -----							1	H
	S1862-1A	NUTPLATE -----							4	H
-12	1213145-1	BRACKET-GLOVE BOX MOUNTING -----							1	G
	0713359-1	BRACKET ASSY-GLOVE BOX -----							1	H
	NAS696A06L	NUTPLATE -----							1	H
	NAS697A06L	NUTPLATE -----							1	H
-13	0713776-1	STOP-GLOVE BOX DOOR -----							2	G
-14	0713779-1	ANGLE ASSY-DOOR MOUNTING -----							1	G
-15	NAS697A08	NUTPLATE -----							3	G
-16	0713864-1	BRACKET-BULKHEAD ADAPTOR RH -----							1	G
	0713358-1	BRACKET ASSY-BULKHEAD ADAPTOR RH -----							1	H
	NAS696A06L	NUTPLATE -----							2	H
-17	0713342-1	PANEL ASSY RH-STATIONARY -----							1	H
	0713342-3	PANEL ASSY RH-STATIONARY -----							1	H
	2201086-5	SUPPORT-RADIO PANEL					LH	-----	1	H
	2201086-6	SUPPORT-RADIO PANEL					RH	-----	1	H
-17A	0713594-1	SUPPORT-INSTRUMENT PANEL -----							1	H
-18	NAS680A08	NUTPLATE -----							4	
-19	NAS697A08	NUTPLATE -----							3	B
-20	NAS697A06L	NUTPLATE -----							6	C
-21	S2352-08-7	THREDSTUD -----							6	
-22	2213043-2	PANEL ASSY RH-REMOVABLE					-----	-----	1	
		ATTACHING PARTS -----								
-23	NAS601-5	SCREW -----							6	
		*-----								
-24	S2352-08-7	THREDSTUD -----							1	
-25	0713326-3	BULKHEAD ASSY-LH INSTRUMENT PANEL -----							1	
-26	NAS697A08	NUTPLATE -----							4	
-27	1213169-12	SUPPORT ASSY-REMOVEABLE PANEL -----							2	
-28	NAS697A08	NUTPLATE -----							1	
-29	0713267-1	ATTACH ASSY-PARKING BRAKE -----							1	
-30	NAS697A3	NUTPLATE -----							1	
-31	0713783-3	BRACKET-BULKHEAD ADAPTOR					LH	-----	1	L
	0713783-5	BRACKET-BULKHEAD ADAPTOR					LH	-----	1	M
-32	1213062-18	SUPPORT ASSY-LOWER LH INSTRUMENT PANEL -----							1	
	S1862-1A	NUTPLATE -----							4	
	NAS682A3	NUTPLATE -----							1	
-33	0713578-1	SWITCH PANEL ASSY -----							1	B
	0713578-3	SWITCH PANEL ASSY -----							1	C
-34	NAS697A08	NUTPLATE -----							3	
-35	0713338-5	BRACKET ASSY-LH INSTRUMENT PANEL SUPPORT -----							1	A
-36	NAS1068A04	NUTPLATE -----							1	A
-37	NAS687A04	NUTPLATE -----							1	A
-38	NAS697A3	NUTPLATE -----							2	A
-38A	0713338-10	BRACKET ASSY-LH INSTRUMENT PANEL SUPPORT					-----	-----	1	D
		ATTACHING PARTS -----								
-38B	AN507-832R8	SCREW -----							3	D
		*-----								

CONTINUED ON NEXT PAGE

# 182 & T182 Parts Catalog

FIGURE AND INDEX NO.	PART NUMBER	DESCRIPTION							UNITS PER ASSY	USABLE ON CODE
		1	2	3	4	5	6	7		
105 -39	0513292-16	PROTECTOR ASSY-RH -----							1	G H
-40	0513292-126	PROTECTOR ASSY-RH -----							1	
-41	0513292-17	PROTECTOR ASSY-LH -----							1	
	0513292-18	PROTECTOR ASSY-CENTER -----							1	
	S1021Z6-7	ATTACHING PARTS								
		SCREW -----							2	
		-----*								
-42	2213042-1	PANEL ASSY LH-REMOVABLE -----							1	A J K H
	2213042-5	PANEL ASSY LH-REMOVABLE -----							1	
	2213042-7	PANEL ASSY LH-REMOVABLE -----							1	
	2213042-9	PANEL ASSY LH-REMOVABLE -----							1	
		ATTACHING PARTS								
-43	NAS221-13	SCREW -----							2	D D
	NAS42HT6-23	SPACER -----							2	
	S1477-06	NUT -----							2	
-44	NAS221-12	SCREW -----							2	
	NAS42HT6-19	SPACER -----							2	
-45	AN515-8R6	SCREW -----							3	
-46	NAS514P1032-10	SCREW -----							1	
		-----*								
-47	NAS696A08	NUTPLATE -----							2	
-48	NAS697A08	NUTPLATE -----							1	
-48A	NAS697A3	NUTPLATE -----							1	
-48B	NAS684A3	NUTPLATE -----							1	
-49	S2352-08-7	THREDDSTUD -----							16	
	AN340-8	NUT-USED TO SECURE THREDDSTUD -----							AR	
-50	1213170-9	PANEL-SHOCK MOUNTED -----							1	
		ATTACHING PARTS								
-51	1213645-1	SHOCK MOUNT -----							4	
-52	AN936A8	WASHER -----							8	
-53	AN340B8	NUT -----							8	
		-----*								
		A---182 SERIAL 18265966 THRU 18267300 F182 SERIAL F18200065 THRU F18200129								
		B---182 SERIAL 18265966 THRU 18266590 F182 SERIAL F18200065 THRU F18200094								
		C---182 SERIAL 18266591 THRU 18268293 F182 SERIAL F18200095 THRU F18200169								
		D---182 SERIAL 18267301 THRU 18268293 F182 SERIAL F18200130 THRU F18200169								
		E---182 SERIAL 18267301 THRU 18267715 F182 SERIAL F18200130 THRU F18200169								
		F---182 SERIAL 18267716 THRU 18268293								
		G---182 SERIAL 18265966 THRU 18268055								
		H---182 SERIAL 18268056 THRU 18268293								
		J---182 SERIAL 18267301 THRU 18267598 F182 SERIAL F18200130 THRU F18200169								
		K---182 SERIAL 18267599 THRU 18268055								
		L---182 SERIAL 18265966 THRU 18268050								
		M---182 SERIAL 18268051 THRU 18268293								
		N---182 SERIAL 18267301 THRU 18268055 F182 SERIAL F18200130 THRU F18200169								

# 182 & T182 Parts Catalog

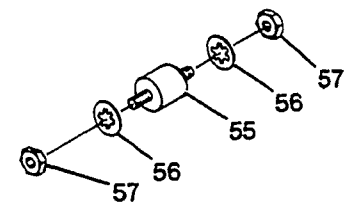
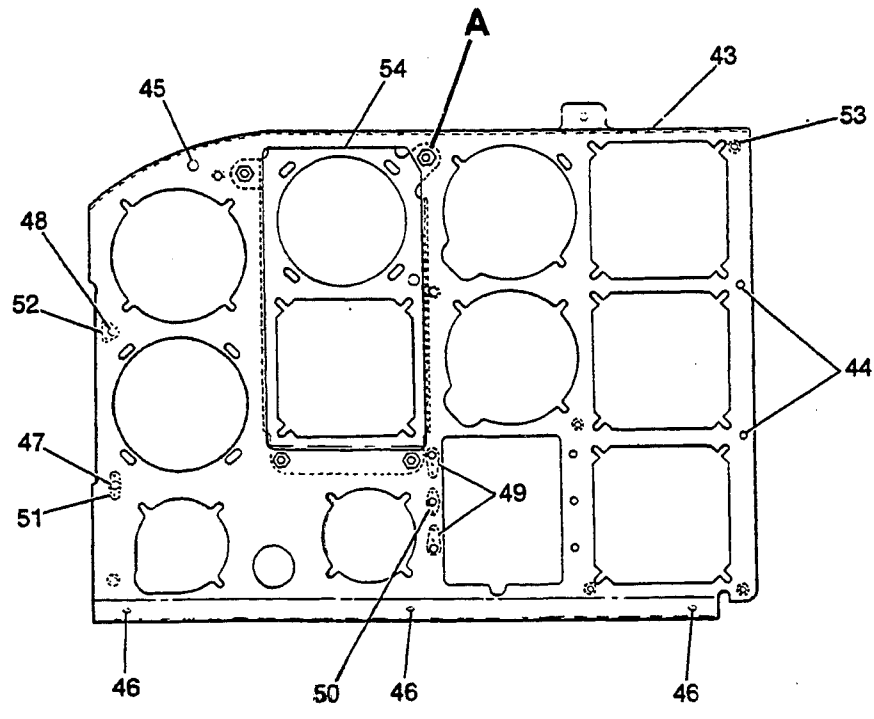
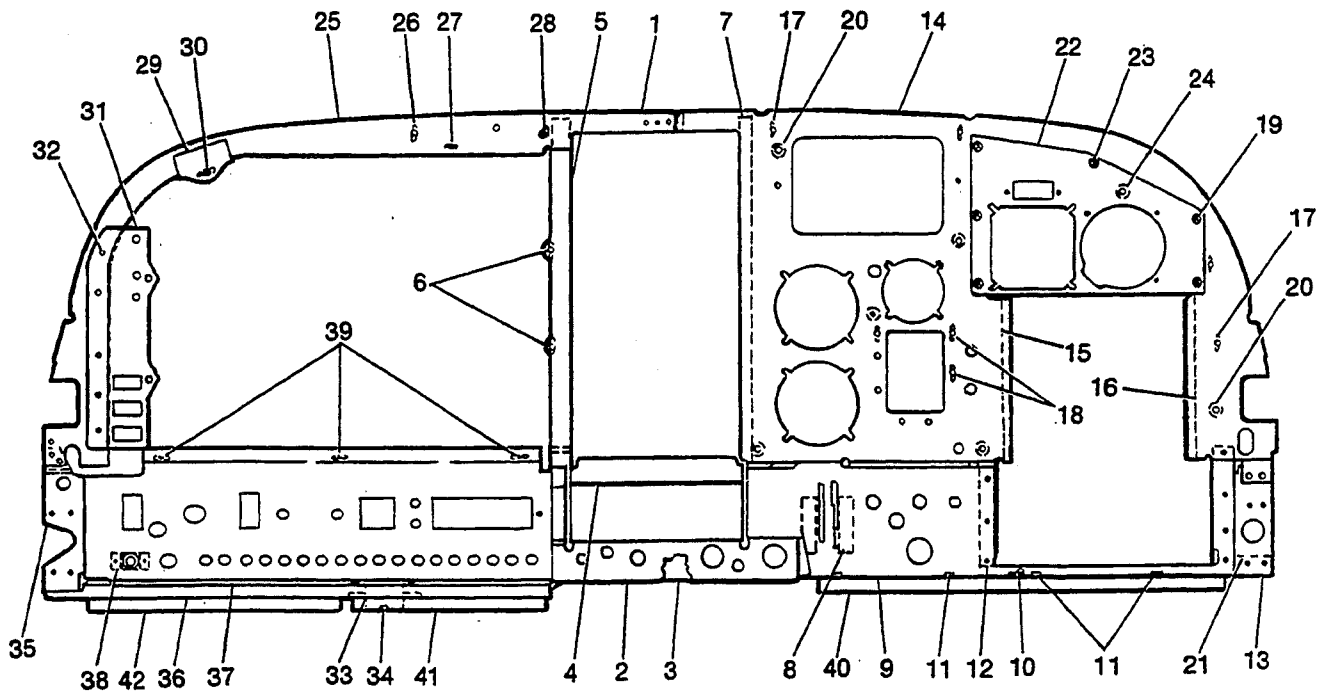
FIGURE AND INDEX NO.	PART NUMBER	DESCRIPTION	UNITS PER ASSY	USABLE ON CODE
105A- 1	0713482-12	STATIONARY INSTRUMENT PANEL STRUCTURE ASSEMBLY -----	1	A
- 2	0713266-7	PANEL-LOWER CENTER -----	1	
- 3	0713775-8	REINFORCEMENT -----	1	
- 4	1213650-1	SUPPORT-INSTRUMENT PANEL -----	1	
		ATTACHING PARTS		
	AN515-6R8	SCREW -----	2	
		-----*		
- 5	2213044-15	SUPPORT ASSY-INSTRUMENT PANEL LH -----	1	
- 6	NAS684A3	NUTPLATE -----	2	
- 7	2213044-10	SUPPORT ASSY-INSTRUMENT PANEL RH -----	1	
- 8	1262001-3	BRACKET-FLAP CONTROL MOUNTING -----	1	
- 9	0713360-1	PANEL ASSY-LWR RH -----	1	
-10	NAS682A3	NUTPLATE -----	1	
-11	S1862-1A	NUTPLATE -----	4	
-12	0713359-1	BRACKET ASSY-GLOVE BOX -----	1	
	NAS696A06L	NUTPLATE -----	1	
	NAS697A06L	NUTPLATE -----	1	
-13	0713358-1	BRACKET ASSY-BULKHEAD ADAPTOR RH -----	1	
	NAS696A06L	NUTPLATE -----	2	
-14	0713342-3	PANEL ASSY RH-STATIONARY -----	1	
-15	2201086-5	SUPPORT-RADIO PANEL LH -----	1	
-16	2201086-6	SUPPORT-RADIO PANEL RH -----	1	
-17	NAS680A08	NUTPLATE -----	4	
-18	NAS697A08	NUTPLATE -----	3	
-19	NAS697A06L	NUTPLATE -----	6	
-20	S2352-08-7	THREDSTUD -----	6	
-21	0713594-1	SUPPORT-INSTRUMENT PANEL -----	1	
-22	2213043-2	PANEL ASSY RH-REMOVABLE -----	1	
		ATTACHING PARTS		
-23	NAS601-5	SCREW -----	6	
		-----*		
-24	S2352-08-7	THREDSTUD -----	1	

CONTINUED ON NEXT PAGE



# 182 & T182 Parts Catalog

Instruments (Cont)



Detail A

182 SERIAL 18268294 & ON

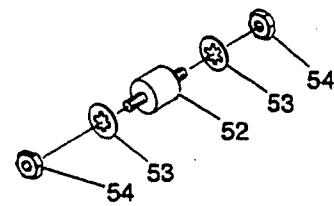
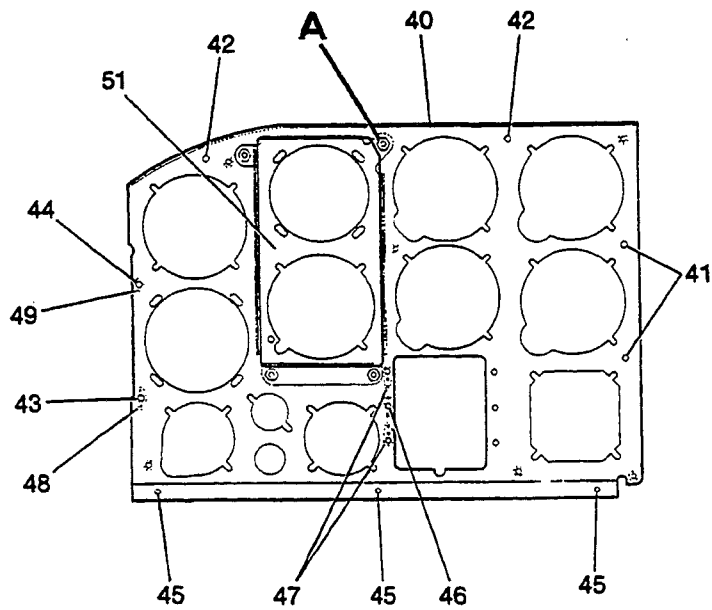
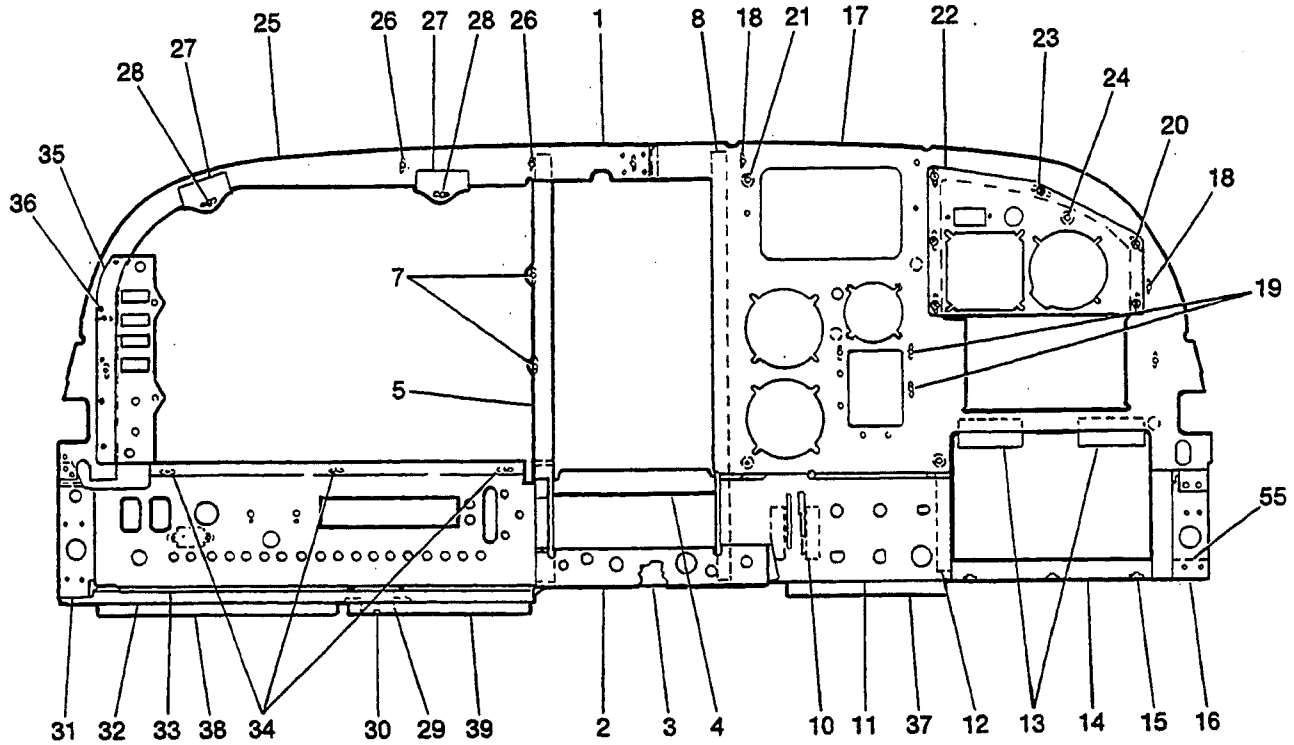
Figure 105A. Stationary Instrument Panel Structure Assembly

# 182 & T182 Parts Catalog

FIGURE AND INDEX NO.	PART NUMBER	DESCRIPTION							UNITS PER ASSY	USABLE ON CODE
		1	2	3	4	5	6	7		
105A-25	0713326-7	BULKHEAD ASSY-LH INSTRUMENT PANEL -----							1	
-26	NAS680A08	NUTPLATE -----							6	
-27	NAS680A3	NUTPLATE -----							1	
-28	NAS684A08	NUTPLATE -----							1	
-29	1213169-12	SUPPORT ASSY -----							1	
-30	NAS697A08	NUTPLATE -----							1	
-31	2213127-1	BRACKET-LH INSTRUMENT PANEL SUPPORT -----							1	
		ATTACHING PARTS								
-32	AN507-832R8	SCREW -----							3	
		*-----								
-33	0713267-1	ATTACH ASSY-PARKING BRAKE -----							1	
-34	NAS697A3	NUTPLATE -----							1	
-35	0713783-5	BRACKET-BULKHEAD ADAPTOR LH -----							1	
-36	1213062-18	SUPPORT ASSY-LWR LH INSTRUMENT PANEL -----							1	
	S1862-1A	NUTPLATE -----							4	
	NAS682A3	NUTPLATE -----							1	
-37	0713578-5	SWITCH PANEL ASSY -----							1	
-38	2270043-2	SUPPORT-FUSEHOLDER -----							1	
-39	NAS679A08	NUTPLATE -----							3	
-40	0513292-126	PROTECTOR ASSY-RH -----							1	
		ATTACHING PARTS								
	S1021Z6-5	SCREW -----							3	
	NAS43DD3-48	SPACER -----							1	
	S1021Z6-20	SCREW -----							1	
		*-----								
-41	0513292-18	PROTECTOR ASSY-CENTER -----							1	
-42	0513292-17	PROTECTOR ASSY-LH -----							1	
		ATTACHING PARTS								
	S1021Z6-7	SCREW -----							2	
		*-----								
-43	2213124-1	PANEL ASSY-REMOVABLE LH -----							1	B C
	2213124-3	PANEL ASSY-REMOVABLE LH -----							1	
		ATTACHING PARTS								
-44	NAS221-13	SCREW -----							2	
	NAS42HT6-23	SPACER -----							2	
	S1477-06	NUT -----							2	
-45	NAS221-12	SCREW -----							2	
	NAS42HT6-19	SPACER -----							2	
-46	AN515-8R6	SCREW -----							3	
-47	NAS221-6	SCREW -----							1	
-48	NAS514P1032-10	SCREW -----							1	
		*-----								
-49	NAS696A08	NUTPLATE -----							2	
-50	NAS697A08	NUTPLATE -----							1	
-51	NAS697A3	NUTPLATE -----							1	
-52	NAS684A3	NUTPLATE -----							1	
-53	S2352-08-7	THREDSTUD -----							7	
	AN340-8	NUT USED TO SECURE THREDSTUD -----							AR	
-54	1213170-9	PANEL-SHOCK MOUNTED -----							1	
		ATTACHING PARTS								
-55	1213645-1	SHOCK MOUNT-INSTRUMENT PANEL -----							4	
-56	AN936A8	WASHER -----							8	
-57	AN340B8	NUT -----							8	
		*-----								
		A---182 SERIAL 18268294 & ON B---182 SERIAL 18268294 THRU 18268434 C---182 SERIAL 18268435								

# 182 & T182 Parts Catalog

## Instruments (Cont)



Detail A

**T182 SERIAL 18267716 THRU 18268293**  
 Figure 106. Stationary Instrument Panel Structure Assembly

# 182 & T182 Parts Catalog

FIGURE AND INDEX NO.	PART NUMBER	DESCRIPTION							UNITS PER ASSY	USABLE ON CODE
		1	2	3	4	5	6	7		
106 - 1	0713482-9	STATIONARY INSTRUMENT PANEL STRUCTURE ASSEMBLY -----							1	A
- 2	0713482-11	STATIONARY INSTRUMENT PANEL STRUCTURE ASSEMBLY -----							1	B
- 3	0713266-7	PANEL-LOWER CENTER -----							1	
- 4	0713775-8	REINFORCEMENT -----							1	
	1213650-1	SUPPORT-INSTRUMENT PANEL -----							1	
	AN515-6R8	ATTACHING PARTS -----								
		SCREW -----							2	
		*-----								
- 5	2213044-11	SUPPORT ASSY-INSTRUMENT PANEL LH -----							1	
- 6		DELETED NEVER USED -----								
- 7	NAS684A3	NUTPLATE -----							2	
- 8	2213044-10	SUPPORT ASSY-INSTRUMENT PANEL RH -----							1	
- 9		DELETED NEVER USED -----								
-10	1262001-3	BRACKET-FLAP CONTROL MOUNTING -----							1	
-11	0713770-18	PANEL ASSY-LOWER RH INSTRUMENT -----							1	C
	0713770-22	PANEL ASSY-LOWER RH INSTRUMENT -----							1	D
	0713360-2	PANEL ASSY-LOWER RH INSTRUMENT -----							1	B
	S1862-1A	NUTPLATE -----							2	
-12	1213145-1	BRACKET-GLOVE BOX MOUNTING -----							1	A
	0713359-1	BRACKET-GLOVE BOX MOUNTING -----							1	B
-13	0713776-1	STOP-GLOVE BOX DOOR -----							2	A
-14	0713779-1	ANGLE ASSY-DOOR MOUNTING -----							3	A
-15	NAS697A08	NUTPLATE -----							1	A
-16	0713864-1	BRACKET-BULKHEAD ADAPTOR -----							1	A
	0713358-1	BRACKET ASSY-BULKHEAD ADAPTOR -----							1	B
	NAS696A06L	NUTPLATE -----							2	B
-17	0713342-1	PANEL ASSY-RH STATIONARY -----							1	B
	0713342-3	PANEL ASSY-RH STATIONARY -----							1	B
	2201086-5	SUPPORT-RADIO PANEL LH -----							1	B
	2201086-6	SUPPORT-RADIO PANEL RH -----							1	B
-18	NAS680A08	NUTPLATE -----							4	
-19	NAS697A08	NUTPLATE -----							3	
-20	NAS697A06L	NUTPLATE -----							6	
-21	77-07-108-13	THREDSUD -----							6	
-22	2213043-2	PANEL ASSY-RH REMOVALBE -----							1	
		ATTACHING PARTS -----								
-23	NAS601-5	SCREW -----							6	
		*-----								
-24	77-07-108-13	THREDSUD -----							1	
-25	0713326-3	BULKHEAD ASSY-LH INSTRUMENT PANEL -----							1	
-26	NAS697A08	NUTPLATE -----							7	
-27	1213169-12	SUPPORT ASSY-REMOVALBE PANEL -----							2	
-28	NAS697A08	NUTPLATE -----							1	
-29	0713267-1	ATTACH ASSY-PARKING BRAKE -----								
-30	NAS697A3	NUTPLATE -----							1	
-31	0713783-3	BRACKET-BULKHEAD ADAPTOR -----							1	A
	0713783-5	BRACKET-BULKHEAD ADAPTOR -----							1	B
-32	1213062-18	SUPPORT ASSY-LOWER LH INSTRUMENT PANEL -----							1	
	S1862-1A	NUTPLATE -----							4	
	NAS682A3	NUTPLATE -----							1	
-33	2213036-5	SWITCH PANEL -----							1	
-34	NAS697A08	NUTPLATE -----							3	
-35	0713338-10	BRACKET ASSY-LH INSTRUMENT PANEL SUPPORT -----							1	
-36	AN507-832R8	SCREW -----							3	
-37	0513292-16	PROTECTOR ASSY-RH -----							1	A
	0513292-126	PROTECTOR ASSY-RH -----							1	B
-38	0513292-17	PROTECTOR ASSY-LH -----							1	

CONTINUED ON NEXT PAGE

# 182 & T182 Parts Catalog

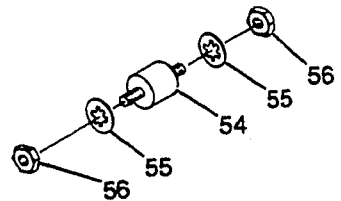
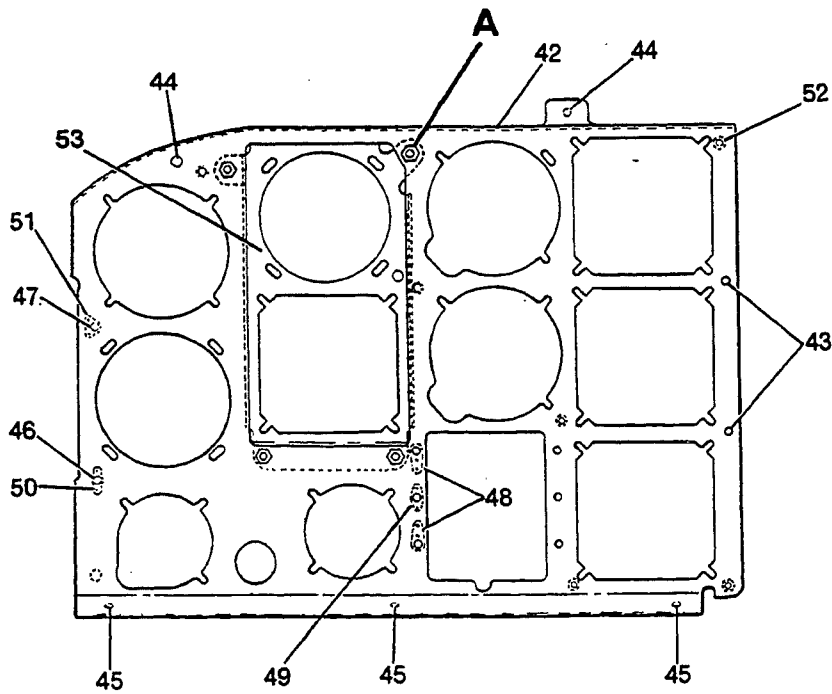
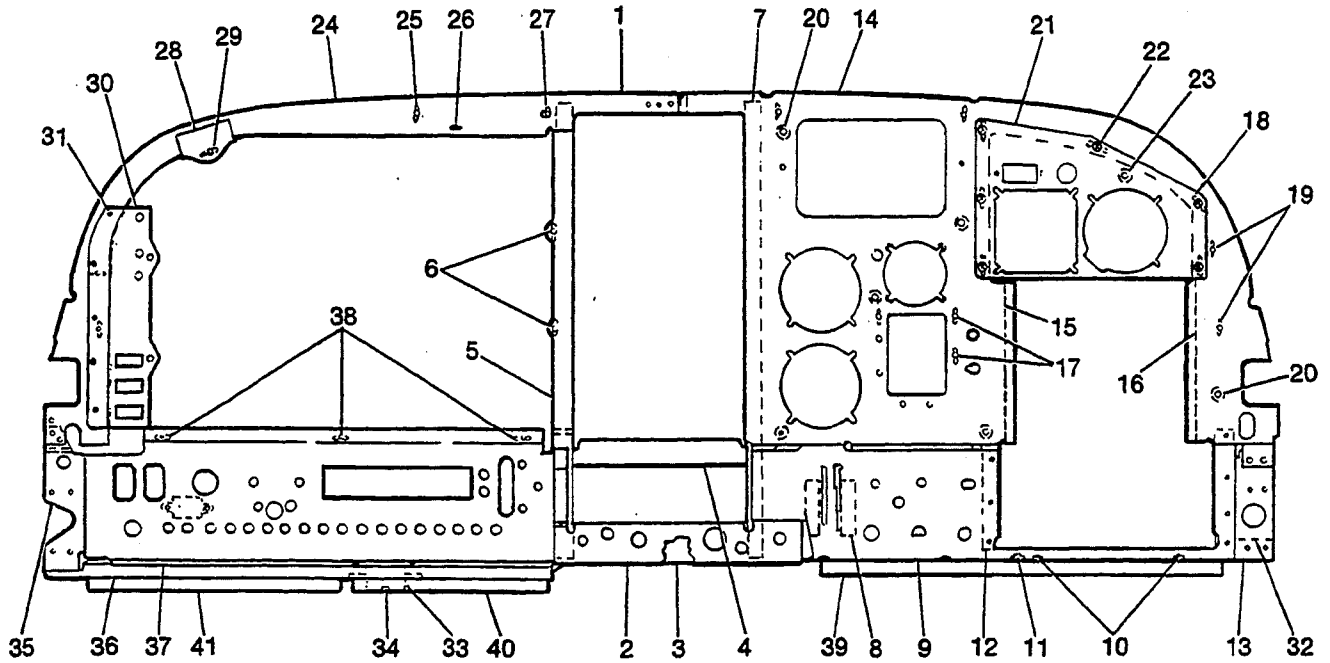
FIGURE AND INDEX NO.	PART NUMBER	DESCRIPTION							UNITS PER ASSY	USABLE ON CODE
		1	2	3	4	5	6	7		
106 -39	0513292-18	PROTECTOR ASSY-CENTER -----							1	
	S1021Z6-7	ATTACHING PARTS -----								
		SCREW -----							2	
		-----*								
-40	2213042-7	PANEL ASSY-REMOVABLE -----							1	A B
	2213042-9	PANEL ASSY-REMOVABLE -----							1	
		ATTACHING PARTS -----								
-41	NAS221-13	SCREW -----							2	
	NAS42HT6-23	SPACER -----							2	
-42	NAS221-12	SCREW -----							2	
	NAS42HT6-19	SPACER -----							2	
-43	NAS221-6	SCREW -----							1	
-44	NAS514P1032-10	SCREW -----							1	
-45	AN515-8R6	SCREW -----							3	
		-----*								
-46	NAS697A08	NUTPLATE -----							1	
-47	NAS696A08	NUTPLATE -----							2	
-48	NAS697A3	NUTPLATE -----							1	
-49	NAS684A3	NUTPLATE -----							1	
-50	77-07-108-13	THREDSTUD -----							7	
	AN340-8	NUT -----							AR	
-51	1213170-9	PANEL-SHOCK MOUNTED -----							1	
		ATTACHING PARTS -----								
-52	1213645-1	SHOCK MOUNT -----							4	
-53	AN936A8	WASHER -----							8	
-54	AN340B8	NUT -----							8	
		-----*								
-55	0713594-1	SUPPORT-INSTRUMENT PANEL -----							1	B
		A---T182 SERIAL 18267716 THRU 18268055 B---T182 SERIAL 18268056 THRU 18268293 C---T182 SERIAL 18267716 THRU 18267872 D---T182 SERIAL 18267873 THRU 18268055								

# 182 & T182 Parts Catalog

FIGURE AND INDEX NO.	PART NUMBER	DESCRIPTION							UNITS PER ASSY	USABLE ON CODE
		1	2	3	4	5	6	7		
106A- 1	0713482-13	STATIONARY INSTRUMENT PANEL STRUCTURE ASSEMBLY -----							1	A
- 2	0713266-7	PANEL-LWR CENTER -----							1	
- 3	0713775-8	REINFORCEMENT -----							1	
- 4	1213650-1	SUPPORT-INSTRUMENT PANEL -----							1	
	AN515-6R8	ATTACHING PARTS -----								
		SCREW -----							2	
		*-----								
- 5	2213044-15	SUPPORT ASSY-INSTRUMENT PANEL LH -----							1	
- 6	NAS684A3	NUTPLATE -----							2	
- 7	2213044-10	SUPPORT-INSTRUMENT PANEL RH -----							1	
- 8	1262001-3	BRACKET-FLAP CONTROL MOUNTING -----							1	
- 9	0713360-2	PANEL ASSY-LWR RH INSTRUMENT -----							1	
-10	S1862-1A	NUTPLATE -----							4	
-11	NAS682A3	NUTPLATE -----							1	
-12	0713359-1	BRACKET ASSY-GLOVE BOX -----							1	
	NAS697A06L	NUTPLATE -----							1	
	NAS696A06L	NUTPLATE -----							1	
-13	0713358-1	BRACKET ASSY-BULKHEAD ADAPTOR -----							1	
	NAS696A06L	NUTPALTE -----							2	
-14	0713342-3	PANEL ASSY-RH STATIONARY -----							1	
-15	2201086-5	SUPPORT-RADIO PANEL LH -----							1	
-16	2201086-6	SUPPORT-RADIO PANEL RH -----							1	
-17	NAS697A08	NUTPLATE -----							3	
-18	NAS697A06L	NUTPLATE -----							6	
-19	NAS680A08	NUTPLATE -----							4	
-20	S2352-08-7	THREDSTUD -----							6	
CONTINUED ON NEXT PAGE										

# 182 & T182 Parts Catalog

Instruments (Cont)



Detail A

**T182 SERIAL 18268294 & ON**

Figure 106A. Stationary Instrument Panel Structure Assembly

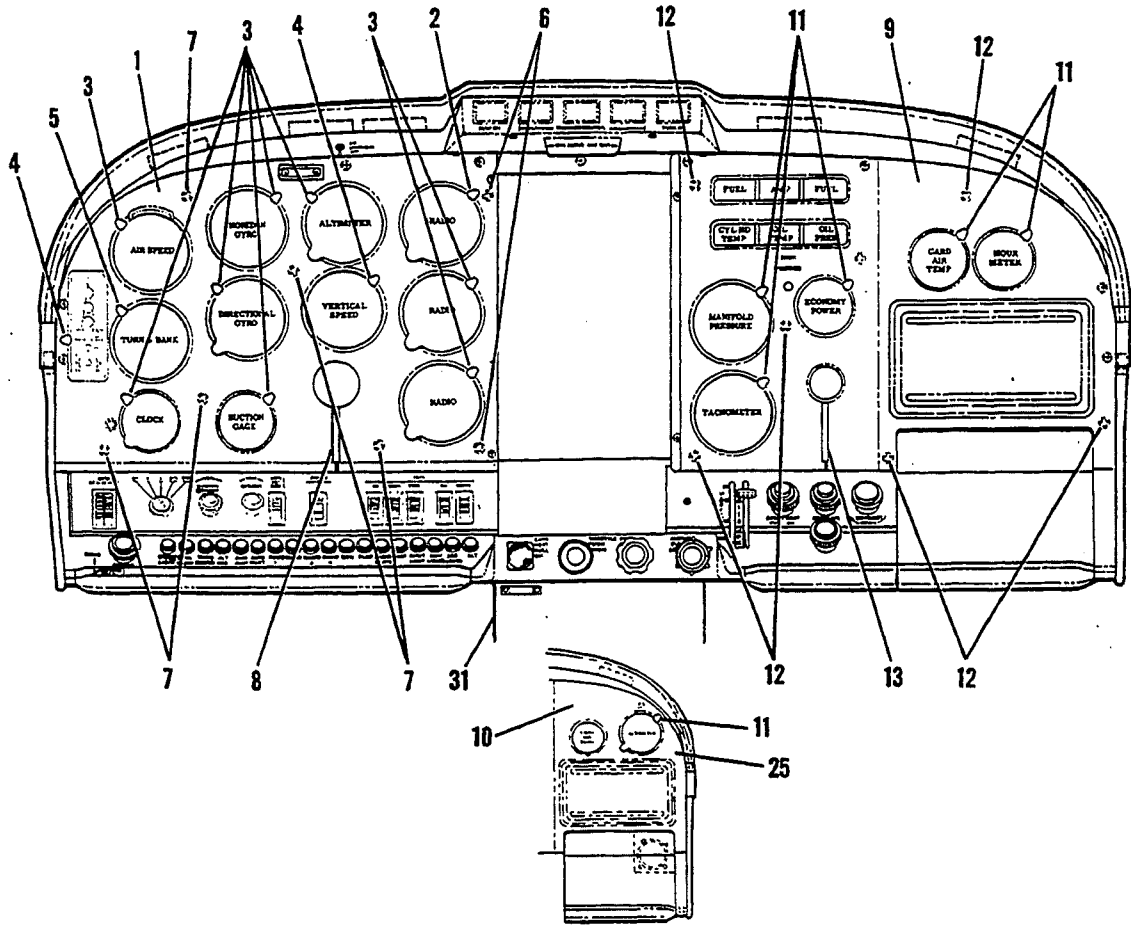
# 182 & T182 Parts Catalog

FIGURE AND INDEX NO.	PART NUMBER	DESCRIPTION	UNITS PER ASSY							USABLE ON CODE
			1	2	3	4	5	6	7	
106A-21	2213043-2	PANEL ASSY-RH REMOVABLE ----- ATTACHING PARTS -----	1							
-22	NAS601-5	SCREW ----- -----*	6							
-23	S2352-08-7	THREDSTUD -----	1							
-24	0713326-7	BULKHEAD ASSY-LH INSTRUMENT PANEL -----	1							
-25	NAS680A08	NUTPLATE -----	6							
-26	NAS680A3	NUTPLATE -----	1							
-27	NAS684A08	NUTPLATE -----	1							
-28	1213169-12	SUPPORT ASSY -----	1							
-29	NAS697A08	NUTPLATE -----	1							
-30	2213127-1	BRACKET-LH INSTRUMENT PANEL SUPPORT ----- ATTACHING PARTS -----	1							
-31	AN507-832R8	SCREW ----- -----*	3							
-32	0713594-1	SUPPORT-INSTRUMENT PANEL -----	1							
-33	0713267-1	ATTACH ASSY-PARKING BRAKE -----	1							
-34	NAS697A3	NUTPLATE -----	1							
-35	0713783-5	BRACKET-BULKHEAD ADAPTOR LH -----	1							
-36	1213062-18	SUPPORT ASSY-LWR LH INSTRUMENT PANEL ----- NUTPLATE -----	1							
	S1862-1A	NUTPLATE -----	4							
	NAS682A3	NUTPLATE -----	1							
-37	2213036-7	SWITCH PANEL ASSY -----	1							
-38	NAS697A08	NUTPLATE -----	3							
-39	0513292-126	PROTECTOR ASSY-RH ----- ATTACHING PARTS -----	1							
	S102176-5	SCREW -----	3							
	NAS43DD3-48	SPACER -----	1							
	S102176-20	SCREW ----- -----*	1							
-40	0513292-18	PROTECTOR ASSY-CENTER -----	1							
-41	0513292-17	PROTECTOR ASSY-LH ----- ATTACHING PARTS -----	1							
	S102176-7	SCREW ----- -----*	2							
-42	2213124-1	PANEL ASSY-REMOVABLE LH -----	1							B C
	2213124-3	PANEL ASSY-REMOVABLE LH ----- ATTACHING PARTS -----	1							
-43	NAS221-13	SCREW -----	2							
	NAS42HT6-23	SPACER -----	2							
	S1477-06	NUT -----	2							
-44	NAS221-12	SCREW -----	2							
	NAS42HT6-19	SPACER -----	2							
-45	AN515-8R6	SCREW -----	3							
-46	NAS221-6	SCREW -----	1							
-47	NAS514P1032-10	SCREW ----- -----*	1							
-48	NAS696A08	NUTPLATE -----	2							
-49	NAS697A08	NUTPLATE -----	1							
-50	NAS697A3	NUTPLATE -----	1							
-51	NAS684A3	NUTPLATE -----	1							
-52	S2352-08-7	THREDSTUD -----	7							
	AN340-8	NUT -----	AR							
-53	1213170-9	PANEL-SHOCK MOUNTED ----- ATTACHING PARTS -----	1							
-54	1213645-1	SHOCK MOUNT-INSTRUMENT PANEL -----	4							
-55	AN936A8	WASHER -----	8							
-56	AN340B8	NUT ----- -----*	8							
A---T182 SERIAL 18268294 & ON B---T182 SERIAL 18268294 THRU 18268434 C---T182 SERIAL 18268435 & ON										

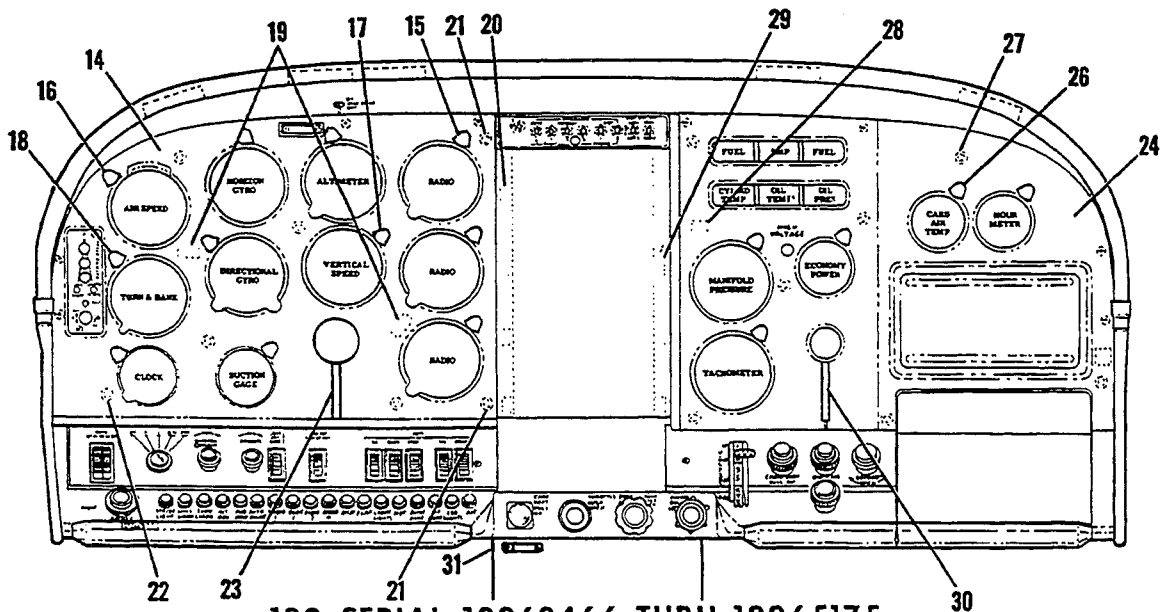


# 182 & T182 Parts Catalog

## Instruments (Cont)



### DUAL ALTIMETER INSTALLATION



182 SERIAL 18262466 THRU 18265175  
 F182 SERIAL F18200001 THRU F18200025

Figure 107. Post Lighted Instrument Panel Installation

# 182 & T182 Parts Catalog

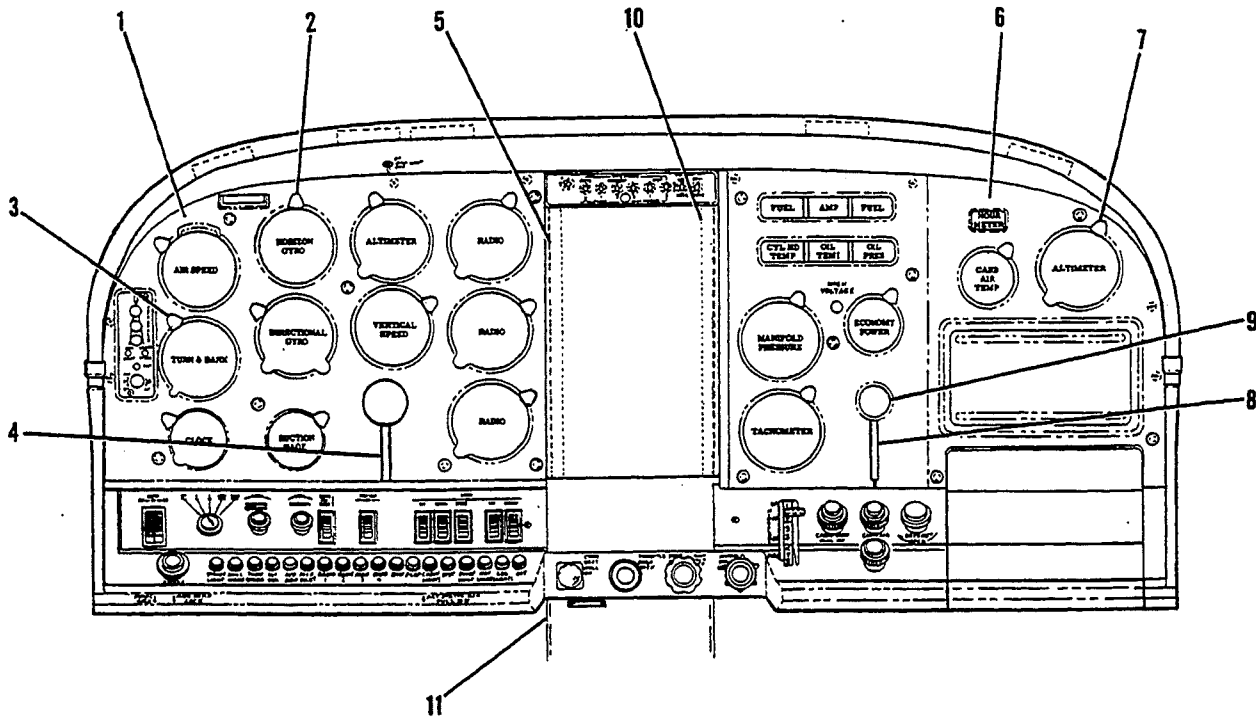
FIGURE AND INDEX NO.	PART NUMBER		DESCRIPTION							UNITS PER ASSY	USABLE ON CODE
			1	2	3	4	5	6	7		
107 -			POST LIGHTED INSTRUMENT PANEL INSTALLATION -----							NP	A
- 1	0713483-6	<	COVER ASSY-POST LIGHTED LH -----							1	B
- 2			POST LIGHT ASSY -----							1	B
	S1899-1-A58		LIGHT ASSY -----							1	B
	MS25237-330		BULB-POST LIGHT -----							1	B
- 3			POST LIGHT ASSY -----							8	B
	S1899-1-A58		LIGHT ASSY -----							1	B
	MS25237-330		BULB-POST LIGHT -----							1	B
- 4			POST LIGHT ASSY -----							2	B
	S1899-2-A58		LIGHT ASSY -----							1	B
	MS25237-330		BULB-POST LIGHT -----							1	B
- 5			POST LIGHT ASSY -----							1	B
	S1899-2-A58		LIGHT ASSY -----							1	B
	MS25237-330		BULB-POST LIGHT -----							1	B
- 6			GUIDE -----							2	B
	1513839-5		GUIDE -----							5	B
- 7			LAP SEAL -----							1	B
	1513839-3		FASTENER -----							2	B
- 8			COVER ASSY-POST LIGHTED RH -----							1	B
	1213335-1		COVER ASSY-POST LIGHTED RH DUAL ALTIMETER INSTALLATION --							1	B
	1213327-1		POST LIGHT ASSY -----							5	B
- 9	0713484-2	<	LIGHT ASSY -----							1	B
-10	0713484-6	<	BULB-POST LIGHT -----							1	B
-11			GUIDE -----							7	B
	S1899-1-A58		LAP SEAL -----							1	B
	MS25237-330		FASTENER -----							2	B
-12			COVER ASSY-POST LIGHTED LH -----							1	C
	1513839-3		POST LIGHT ASSY -----							1	C
-13			LIGHT ASSY -----							1	C
	1213163-2		BULB-POST LIGHT -----							1	C
	1213327-7		POST LIGHT ASSY -----							1	C
-14	0713488-2	<	LIGHT ASSY -----							1	C
-15			BULB-POST LIGHT -----							1	C
	S1899-1-A58		FASTENER -----							2	C
	MS25237-330		GUIDE -----							5	C
-16			LAP SEAL -----							1	C
	S1899-1-A58		COVER ASSY-POST LIGHTED RH -----							1	C
	MS25237-330		POST LIGHT ASSY -----							1	C
-17			LIGHT ASSY -----							1	C
	S1899-2-A58		BULB-POST LIGHT -----							1	C
	MS25237-330		POST LIGHT ASSY -----							1	C
-18			LIGHT ASSY -----							1	C
	S1899-2-A58		BULB-POST LIGHT -----							1	C
	MS25237-330		FASTENER -----							2	C
-19			FASTENER -----							5	C
-20			GUIDE -----							2	C
-21			GUIDE -----							5	C
-22			LAP SEAL -----							1	C
-23			COVER ASSY-POST LIGHTED RH -----							1	C
-24		<	COVER ASSY-POST LIGHTED RH USED WITH DUAL ALTIMETERS --							1	C
-25		<	POST LIGHT ASSY -----							5	C
-26			LIGHT ASSY -----							1	C
	S1899-1-A58		BULB-POST LIGHT -----							1	C
	MS25237-330		GUIDE -----							7	C
-27			FASTENER -----							2	C
-28			FASTENER -----							5	C
-29			LAP SEAL -----							1	C
-30			LAP SEAL -----							1	C
-31	SEE FIG 195		CONSOLE COVER INSTL-LIGHTED -----							NP	C

NOTE. <THIS PART MUST HAVE A SECOND DASH NUMBER ADDED TO DENOTE COLOR. REFER TO HOW TO ORDER INTERIOR PARTS-PAGE XIII.

A---182 SERIAL 18262466 THRU 18265175  
 B---182 SERIAL 18262466 THRU 18264295  
 C---182 SERIAL 18264296 THRU 18265175  
 F182 SERIAL F18200001 THRU F18200025

# 182 & T182 Parts Catalog

## Instruments (Cont)



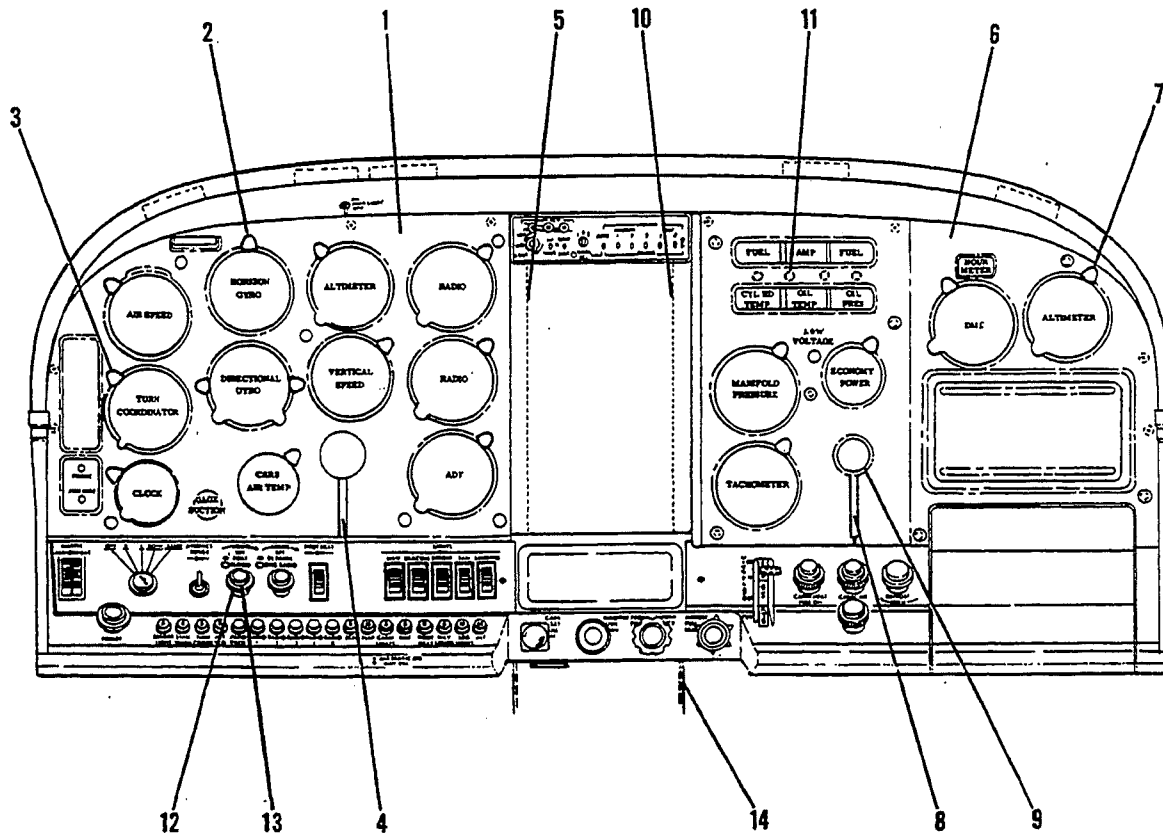
182 SERIAL 18265176 THRU 18265965  
F182 SERIAL F18200026 THRU F18200064  
Figure 108. Post Lighted Instrument Panel Installation

# 182 & T182 Parts Catalog

FIGURE AND INDEX NO.	PART NUMBER	DESCRIPTION							UNITS PER ASSY	USABLE ON CODE
		1	2	3	4	5	6	7		
108 -		POST LIGHTED INSTRUMENT PANEL INSTALLATION -----							NP	A
- 1	0713341-3	COVER ASSY LH-POST LIGHTED -----							1	
- 2		POST LIGHT ASSY -----							10	
	S1899-1-A58	LIGHT ASSY -----							1	
	MS25237-330	BULB-POST LIGHT -----							1	
- 3		POST LIGHT ASSY -----							1	
	S1899-2-A58	LIGHT ASSY -----							1	
	MS25237-330	BULB-POST LIGHT -----							1	
- 4	1213335-4	LAP SEAL -----							1	
- 5	S2092-6	FASTENER-FABRIC -----							1	
- 6	0713340-4	COVER ASSY RH-POST LIGHTED -----							1	
- 7		POST LIGHT ASSY -----							5	
	S1899-1-A58	LIGHT ASSY -----							1	
	MS25237-330	BULB-POST LIGHT -----							1	
- 8	1213163-2	LAP SEAL -----							1	
- 9	0713346-2	CAP ASSY USED WHEN RH CONTROL NOT INSTALLED -----							1	
	0713346-1	BACKING ASSY USED WHEN RH CONTROL NOT INSTALLED -----							1	
-10	S2092-6	FASTENER-FABRIC -----							1	
-11	SE FIG 195	CONSOLE COVER INSTALLATION-LIGHTED -----							1	
		A---182 SERIAL 18265176 THRU 18265965 F182 SERIAL F18200026 THRU F18200064								

# 182 & T182 Parts Catalog

## Instruments (Cont)



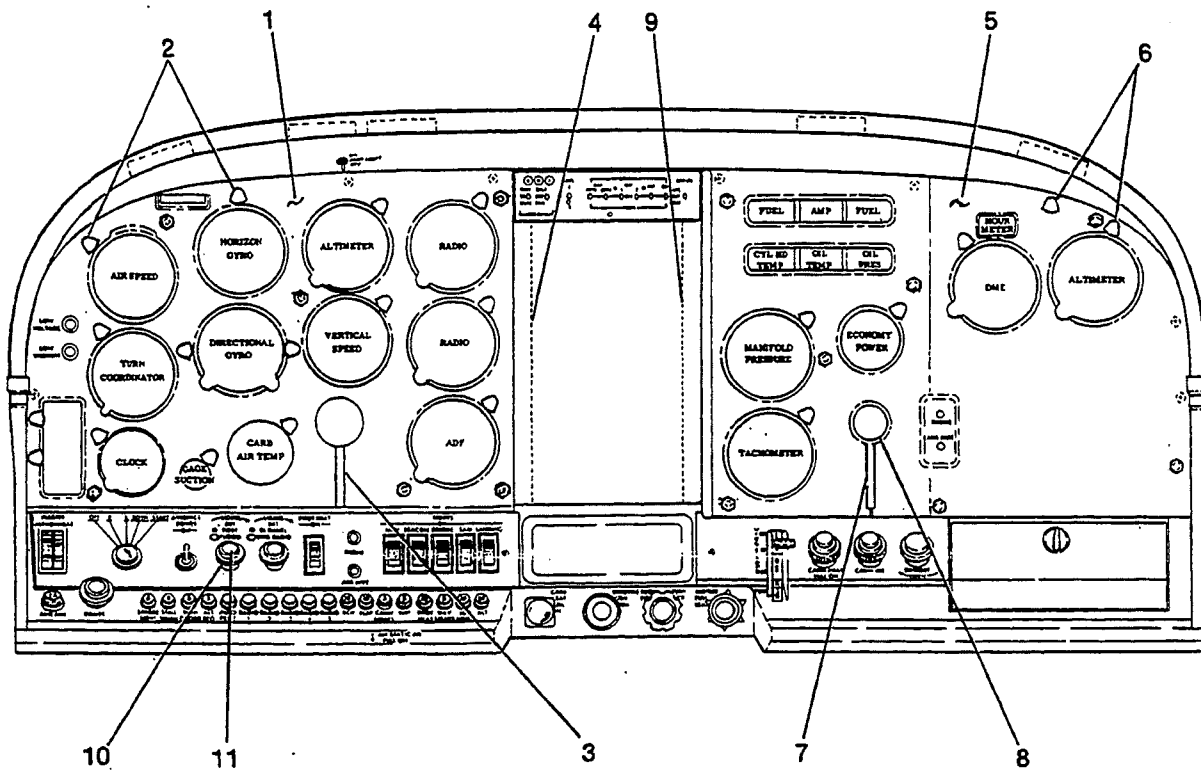
**182 SERIAL 18265966 THRU 18268293**  
**F182 SERIAL F1820065 THRU F1820169**  
Figure 109. Post Lighted Instrument Panel Installation

# 182 & T182 Parts Catalog

FIGURE AND INDEX NO.	PART NUMBER	DESCRIPTION	UNITS PER ASSY	USABLE ON CODE		
					1	2
109 -		POST LIGHTED INSTRUMENT PANEL INSTALLATION -----	NP	A		
- 1	2213073-5	COVER ASSY LH-POST LIGHTED -----	1	D		
	2213073-45 *<	COVER ASSY LH-POST LIGHTED -----	1	J		
	2213073-69-A59	COVER ASSY LH-POST LIGHTED GRAY -----	1	K		
	2213073-69-279	COVER ASSY LH-POST LIGHTED BLACK -----	1	K		
- 2	2106002-15-A58 *	POST LIGHT ASSY GRAY -----	11			
	2106002-15-156	POST LIGHT ASSY BLACK -----	11	E		
	S1899-3-A58	LIGHT ASSY -----	1			
	MS25237-327	BULB-POST LIGHT -----	1			
- 3	2106002-15-A58	POST LIGHT ASSY GRAY -----	1			
	2106002-1-156	POST LIGHT ASSY BLACK -----	1	E		
	S1899-4-A58	LIGHT ASSY -----	1			
	MS25237-327	BULB-POST LIGHT -----	1			
- 4	1213335-4	LAP SEAL GRAY -----	1			
	1213335-6	LAP SEAL BLACK -----	1	E		
- 5	S2092-6	FASTENER-FABRIC -----	1			
- 6	2213071-5 *	COVER ASSY RH-POST LIGHTED -----	1	B		
	2213071-13 *	COVER ASSY RH-POST LIGHTED -----	1	C		
	2213071-17 *<	COVER ASSY RH-POST LIGHTED -----	1	F		
	2213071-21-A59	COVER ASSY RH-POST LIGHTED GRAY -----	1	G		
	2213071-21-279	COVER ASSY RH-POST LIGHTED BLACK -----	1	G		
	2213071-25-A59	COVER ASSY RH-POST LIGHTED GRAY -----	1	H		
	2213071-25-279	COVER ASSY RH-POST LIGHTED BLACK -----	1	H		
- 7	2106002-15-A58	POST LIGHT ASSY GRAY -----	6			
	2106002-1-156	POST LIGHT ASSY BLACK -----	6			
	S1899-3-A58	LIGHT ASSY -----	1			
	MS25237-327	BULB-POST LIGHT -----	1			
- 8	1213163-2	LAP SEAL GRAY -----	1			
	1213163-1	LAP SEAL BLACK -----	1	E		
- 9	0713346-2	CAP ASSY-USED WHEN RH CONTROL NOT INSTALLED GRAY -----	1	D		
	0713346-6	CAP ASSY-USED WHEN RH CONTROL NOT INSTALLED BLACK -----	1	E		
	0713346-1	BACKING ASSY -----	1			
-10	S2092-6	FASTENER ASSY -----	1			
-11	1270479-5	LIGHT ASSY-INSTRUMENT CLUSTER -----	1	B		
	S1894-4	BULB-LIGHT ASSY -----	4			
	S1995-4	KNOB ASSY-POST LIGHT DIMMING -----	1			
-12	S1995-5	KNOB -----	1			
-13	S1995-6	KNOB -----	1			
	S2091-7	VARIABLE RESISTOR-TANDOM USED WITH POST LIGHT -----	1			
	S2000C201J	RESISTOR-POST LIGHTS -----	1			
-14	SEE FIG 195	CONSOLE COVER INSTALLATION-LIGHTED -----	1			
<p>NOTE. *FOR OPTIONAL PANELS USED WITH AVIONICS INSTALLATIONS SEE AVIONICS SERVICE/PARTS MANUAL.</p> <p>NOTE. &lt;THIS PART MUST HAVE A SECOND DASH NUMBER TO DENOTE COLOR. REFER TO HOW TO ORDER INTERIOR PARTS-PAGE XIII.</p> <p>A---182 SERIAL 18265966 THRU 18268293  F182 SERIAL F18200065 THRU F18200169</p> <p>B---182 SERIAL 18265966 THRU 18266590  F182 SERIAL F18200065 THRU F18200094</p> <p>C---182 SERIAL 18266591 THRU 18267300  F182 SERIAL F18200095 THRU F18200129</p> <p>D---182 SERIAL 18265966 THRU 18267300  F182 SERIAL F18200065 THRU F18200129</p> <p>E---182 SERIAL 18267301 THRU 18268293  F182 SERIAL F18200130 THRU F18200169</p> <p>F---182 SERIAL 18267301 THRU 18267715  F182 SERIAL F18200130 THRU F18200169</p> <p>G---182 SERIAL 18267716 THRU 18268055</p> <p>H---182 SERIAL 18268056 THRU 18268293</p> <p>J---182 SERIAL 18267301 THRU 18267598</p> <p>K---182 SERIAL 18267599 THRU 18268293</p>						

# 182 & T182 Parts Catalog

## Instruments (Cont)



**182 SERIAL 18268294 & ON**

Figure 109A. Post Lighted Instrument Panel Installation

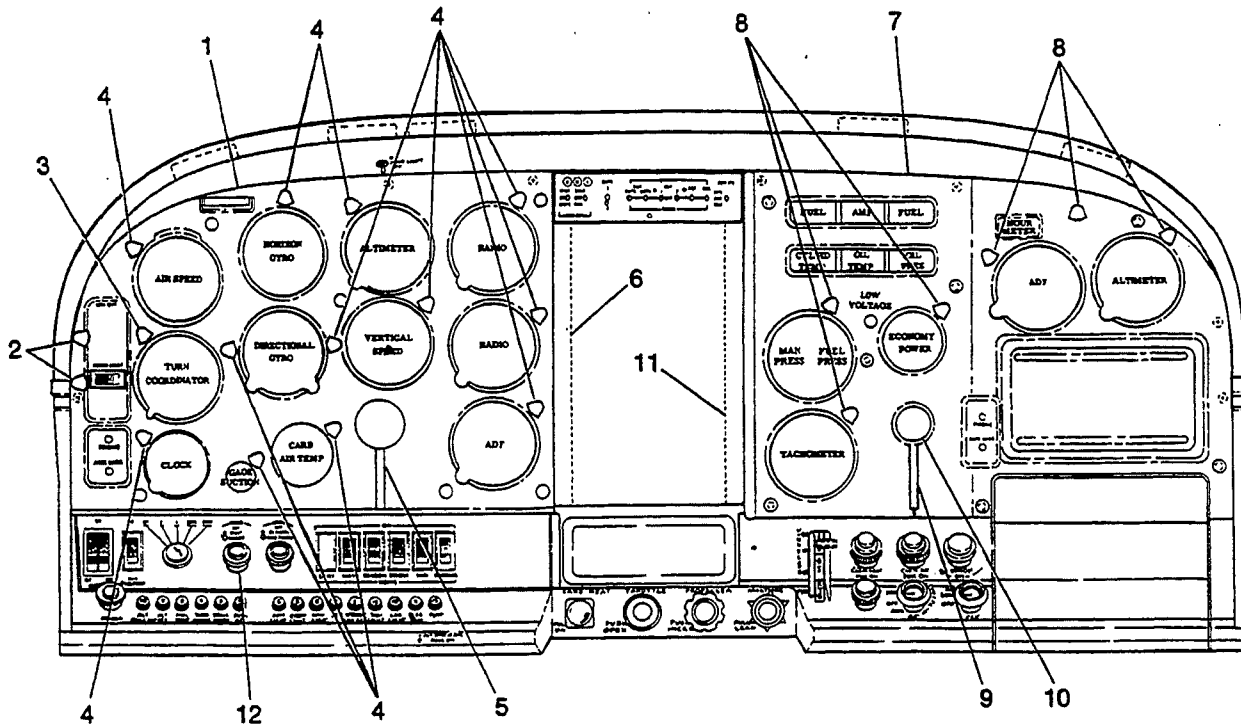
# 182 & T182 Parts Catalog

FIGURE AND INDEX NO.	PART NUMBER	DESCRIPTION							UNITS PER ASSY	USABLE ON CODE
		1	2	3	4	5	6	7		
109A-		POST LIGHTED INSTRUMENT PANEL INSTALLATION -----							NP	A
- 1	2213126-3-A59	COVER ASSY LH-POST LIGHTED	GRAY	WEU 2213126-7-A59	---	---	---	1	B	
	2213126-3-279	COVER ASSY LH-POST LIGHTED	BLACK	WEU 2213126-7-279	---	---	---	1	B	
	2213126-12-E83	COVER ASSY LH-POST LIGHTED	GRAY	WEU 2213126-7-E83	---	---	---	1	D	
	2213126-12-279	COVER ASSY LH-POST LIGHTED	BLACK	WEU 2213126-7-279	---	---	---	1	D	
	2213126-7-A59	COVER ASSY LH-POST LIGHTED	GRAY	---	---	---	---	1	E	
	2213126-7-E83	COVER ASSY LH-POST LIGHTED	GRAY	---	---	---	---	1	E	
	2213126-7-279	COVER ASSY LH-POST LIGHTED	BLACK	---	---	---	---	1	E	
- 2	2106002-13-A58	POST LIGHT ASSY	GRAY	---	---	---	---	15	B	
	2106002-13-156	POST LIGHT ASSY	BLACK	---	---	---	---	15	B	
	2106002-13-E80	POST LIGHT ASSY	GRAY	---	---	---	---	15	C	
	2106002-13-156	POST LIGHT ASSY	BLACK	---	---	---	---	15	C	
	MS25237-327	BULB-POST LIGHT	---	---	---	---	---	1		
- 3	1213335-1	LAP SEAL-GRAY	---	---	---	---	---	1	B	
	1213335-2	LAP SEAL-BLACK	---	---	---	---	---	1	B	
	S2611-1-2.10-E80	CHANNEL GRAY	---	---	---	---	---	1	C	
	S2611-1-2.10-156	CHANNEL BLACK	---	---	---	---	---	1	C	
- 4	S2092-6	FASTENER-FABRIC	---	---	---	---	---	1		
- 5	2213071-29-A59	COVER ASSY RH-POST LIGHTED	GRAY	---	---	---	---	1	B	
	2213071-29-279	COVER ASSY RH-POST LIGHTED	BLACK	---	---	---	---	1	B	
	2213071-34-E83	COVER ASSY RH-POST LIGHTED	GRAY	---	---	---	---	1	C	
	2213071-34-279	COVER ASSY RH-POST LIGHTED	BLACK	---	---	---	---	1	C	
- 6	2106002-15-A58	POST LIGHT ASSY	GRAY	---	---	---	---	6	B	
	2106002-15-156	POST LIGHT ASSY	BLACK	---	---	---	---	6	B	
	2106002-9-E80	POST LIGHT ASSY	GRAY	---	---	---	---	1	C	
	2106002-9-156	POST LIGHT ASSY	BLACK	---	---	---	---	1	C	
	MS25237-327	BULB-POST LIGHT	---	---	---	---	---	1		
- 7	1213163-2	LAP SEAL GRAY	---	---	---	---	---	1	B	
	1213163-1	LAP SEAL BLACK	---	---	---	---	---	1	B	
	S2611-1-2.50-E80	CHANNEL GRAY	---	---	---	---	---	1	C	
	S2611-1-2.50-156	CHANNEL BLACK	---	---	---	---	---	1	C	
- 8	0713346-6-A59	CAP ASSY-USED WHEN RH CONTROL NOT INSTALLED	GRAY	---	---	---	---	1	B	
	0713346-6-279	CAP ASSY-USED WHEN RH CONTROL NOT INSTALLED	BLACK	---	---	---	---	1	B	
	0713346-1	BACKING ASSY	---	---	---	---	---	1	B	
	MS35489-4	GROMMET	---	---	---	---	---	1	B	
- 9	S2092-6	FASTENER-FABRIC	---	---	---	---	---	1		
-10	S1995-4	KNOB ASSY-POST LIGHT DIMMING	---	---	---	---	---	1		
	S1995-5	KNOB	---	---	---	---	---	1		
-11	S1995-6	KNOB	---	---	---	---	---	1		
	S2091-7	VARIABLE RESISTOR-TANDOM	USED WITH POST LIGHTS	---	---	---	---	1		
	S2000C201J	RESISTOR	---	---	---	---	---	2		
		<p>A---182 SERIAL 18268294 &amp; ON                      B---182 SERIAL 18268294 THRU 18268383                      C---182 SERIAL 18268384 &amp; ON                      D---182 SERIAL 18268384 THRU 18268434                      E---182 SERIAL 18268435 &amp; ON</p>								



# 182 & T182 Parts Catalog

## Instruments (Cont)



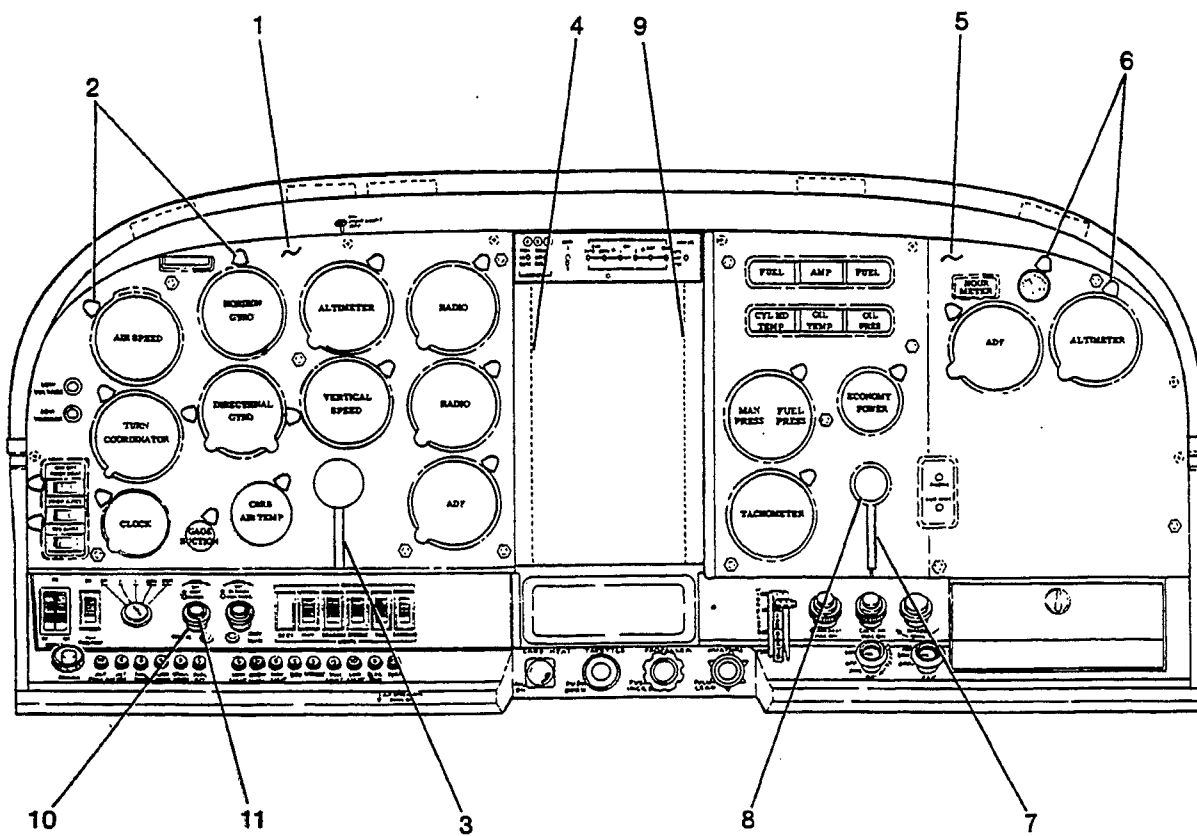
**T182 SERIAL 18267716 THRU 18268293**  
Figure 110. Post Lighted Instrument Panel Installation

# 182 & T182 Parts Catalog

FIGURE AND INDEX NO.	PART NUMBER	DESCRIPTION							UNITS PER ASSY	USABLE ON CODE
		1	2	3	4	5	6	7		
110 -		POST LIGHTED INSTRUMENT PANEL INSTALLATION -----							NP	A
- 1	2213073-59-A59	COVER ASSY LH-POST LIGHTED GRAY -----							1	A
	2213073-59-279	COVER ASSY LH-POST LIGHTED BLACK -----							1	
- 2	2106002-5-A58	POST LIGHT ASSY GRAY -----							2	
	2106002-5-156	POST LIGHT ASSY BLACK -----							2	
- 3	2106002-1-A58	POST LIGHT ASSY GRAY -----							1	
	2106002-1-156	POST LIGHT ASSY BLACK -----							1	
- 4	2106002-15-A58	POST LIGHT ASSY GRAY -----							12	
	2106002-15-156	POST LIGHT ASSY BLACK -----							12	
	MS25237-327	BULB -----							1	
- 5	1213335-4	LAP SEAL GRAY -----							1	
	1213335-6	LAP SEAL BLACK -----							1	
- 6	S2092-6	FASTENER-FABRIC -----							1	
- 7	2213071-21-A59	COVER ASSY RH-POST LIGHTED GRAY -----							1	B B C C
	2213071-21-279	COVER ASSY RH-POST LIGHTED BLACK -----							1	
	2213071-25-A59	COVER ASSY RH-POST LIGHTED GRAY -----							1	
	2213071-25-279	COVER ASSY RH-POST LIGHTED BLACK -----							1	
- 8	2106002-15-A58	POST LIGHT ASSY GREAY -----							6	
	2106002-15-156	POST LIGHT ASSY BLACK -----							6	
	MS25237-327	BULB -----							1	
- 9	1213163-1	LAP SEAL BLACK -----							1	
	1213163-2	LAP SEAL GRAY -----							1	
-10	0713346-6-A59	CAP ASSY WHEN RH CONTROL NOT INSTALLED GRAY -----							1	
	0713346-6-279	CAP ASSY WHEN RH CONTROL NOT INSTALLED BLACK -----							1	
-11	S2092-6	FASTENER-FABRIC -----							1	
-12	S1995-4	KNOB ASSY POST LIGHT DIMMING -----							1	
	S1995-5	KNOB -----							1	
	S1995-6	KNOB -----							1	
		A---T182 SERIAL 18267716 THRU 18268293 B---T182 SERIAL 18267716 THRU 18268055 C---T182 SERIAL 18268056 THRU 18268293								

# 182 & T182 Parts Catalog

## Instruments (Cont)



### T182 SERIAL 18268294 & ON

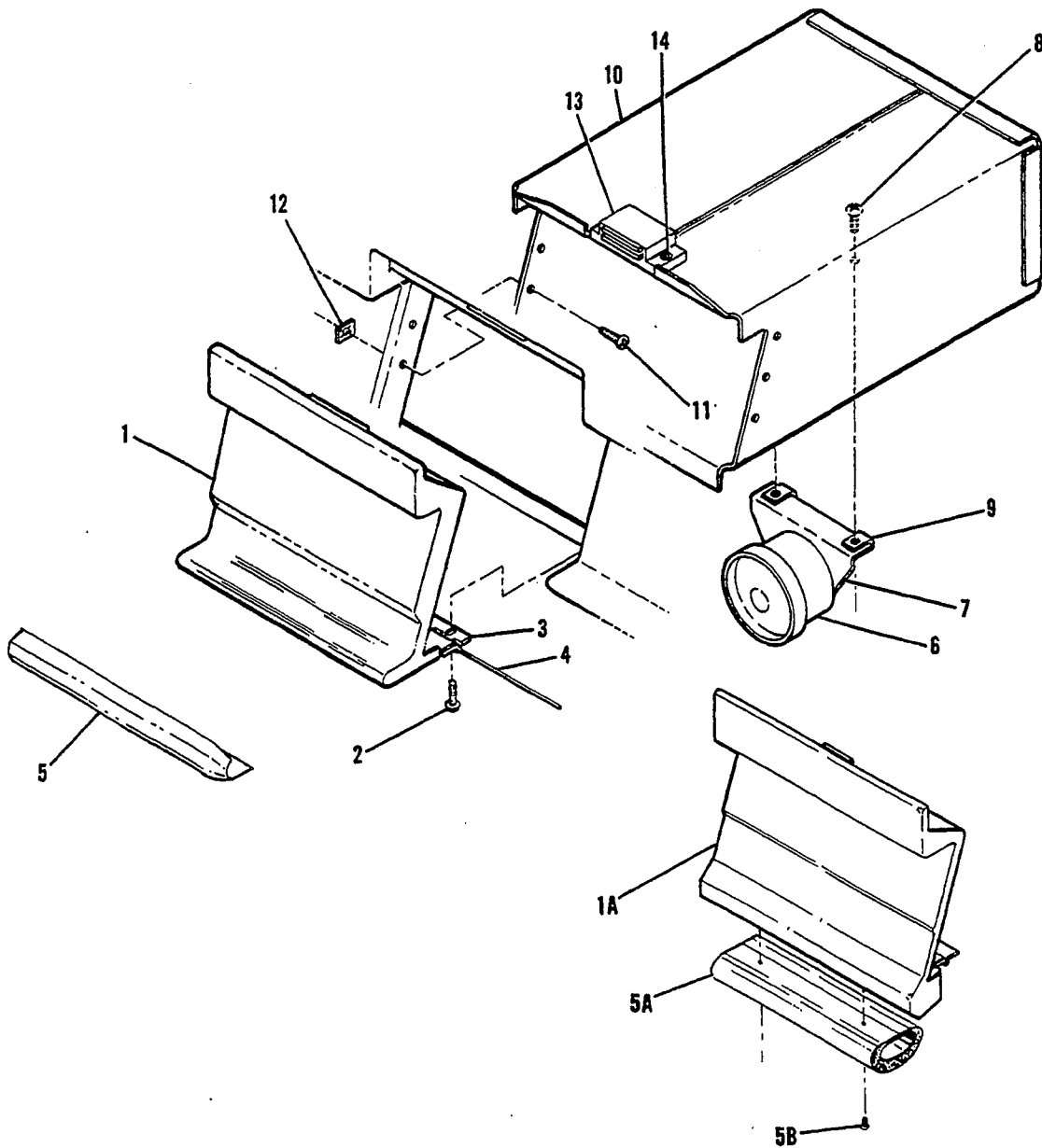
Figure 110A. Post Lighted Instrument Panel Installation

# 182 & T182 Parts Catalog

FIGURE AND INDEX NO.	PART NUMBER	DESCRIPTION							UNITS PER ASSY	USABLE ON CODE
		1	2	3	4	5	6	7		
110A-		<b>POST LIGHTED INSTRUMENT PANEL INSTALLATION</b> -----							NP	A
- 1	2213126-3-A59	COVER ASSY LH-POST LIGHTED				GRAY	WEU 2213126-7-A59	1	B	
	2213126-3-279	COVER ASSY LH-POST LIGHTED				BLACK	WEU 2213126-7-279	1	B	
	2213126-12-E83	COVER ASSY LH-POST LIGHTED				GRAY	WEU 2213126-7-E83	1	D	
	2213126-12-279	COVER ASSY LH-POST LIGHTED				BLACK	WEU 2213126-7-279	1	D	
	2213126-7-A59	COVER ASSY-POST LIGHTED	LH			GRAY		1	E	
	2213126-7-E83	COVER ASSY-POST LIGHTED	LH			GRAY		1	E	
	2213126-7-279	COVER ASSY-POST LIGHTED	LH			BLACK		1	E	
- 2	2106002-13-A58	POST LIGHT ASSY				GRAY		15	F	
	2106002-13-156	POST LIGHT ASSY				BLACK		15	B	
	2106002-13-E80	POST LIGHT ASSY				GRAY		15	C	
	2106002-13-156	POST LIGHT ASSY				BLACK		15	C	
	MS25237-327	BULB POST LIGHT						1		
- 3	1213335-1	LAP SEAL-GRAY						1	B	
	1213335-2	LAP SEAL-BLACK						1	B	
	S2611-1-2.10-E80	CHANNEL GRAY						1	C	
	S2611-1-2.10-156	CHANNEL BLACK						1	C	
- 4	S2092-6	FASTENER-FABRIC						1		
- 5	2213071-29-A59	COVER ASSY RH-POST LIGHTED				GRAY		1	B	
	2213071-29-279	COVER ASSY RH-POST LIGHTED				BLACK		1	B	
	2213071-34-E83	COVER ASSY RH-POST LIGHTED				GRAY		1	C	
	2213071-34-279	COVER ASSY RH-POST LIGHTED				BLACK		1	C	
- 6	2106002-15-A58	POST LIGHT ASSY				GRAY		6	B	
	2106002-15-156	POST LIGHT ASSY				BLACK		6	B	
	2106002-9-E80	POST LIGHT ASSY				GRAY		1	C	
	2106002-9-156	POST LIGHT ASSY				BLACK		1	C	
	MS25237-327	BULB-POST LIGHT						1		
- 7	1213163-2	LAP SEAL GRAY						1	B	
	1213163-1	LAP SEAL BLACK						1	B	
	S2611-1-2.50-E80	CHANNEL GRAY						1	C	
	S2611-1-2.50-156	CHANNEL BLACK						1	C	
- 8	0713346-6-A59	CAP ASSY-USED WHEN RH CONTROL NOT INSTALLED				GRAY		1	B	
	0713346-6-279	CAP ASSY-USED WHEN RH CONTROL NOT INSTALLED				BLACK		1	B	
	0713346-1	BACKING ASSY						1	B	
	MS35489-4	GROMMET						1	B	
- 9	S2092-6	FASTENER-FABRIC						1		
-10	S1995-4	KNOB ASSY-POST LIGHT DIMMING						1		
	S1995-5	KNOB						1		
	S1995-6	KNOB						1		
-11	S2091-7	VARIABLE RESISTOR-TANDOM				USED WITH POST LIGHTS		1		
	S2000C201J	RESISTOR						2		
		A---T182 SERIAL 18268294 & ON B---T182 SERIAL 18268294 THRU 18268383 C---T182 SERIAL 18268384 & ON D---T182 SERIAL 18268384 THRU 18268434 E---T182 SERIAL 18268435 & ON								

# 182 & T182 Parts Catalog

## Glove Box



182 SERIAL 18262466 THRU 18268055  
F182 SERIAL F1820001 THRU F18200169  
T182 SERIAL 18267716 THRU 18268055

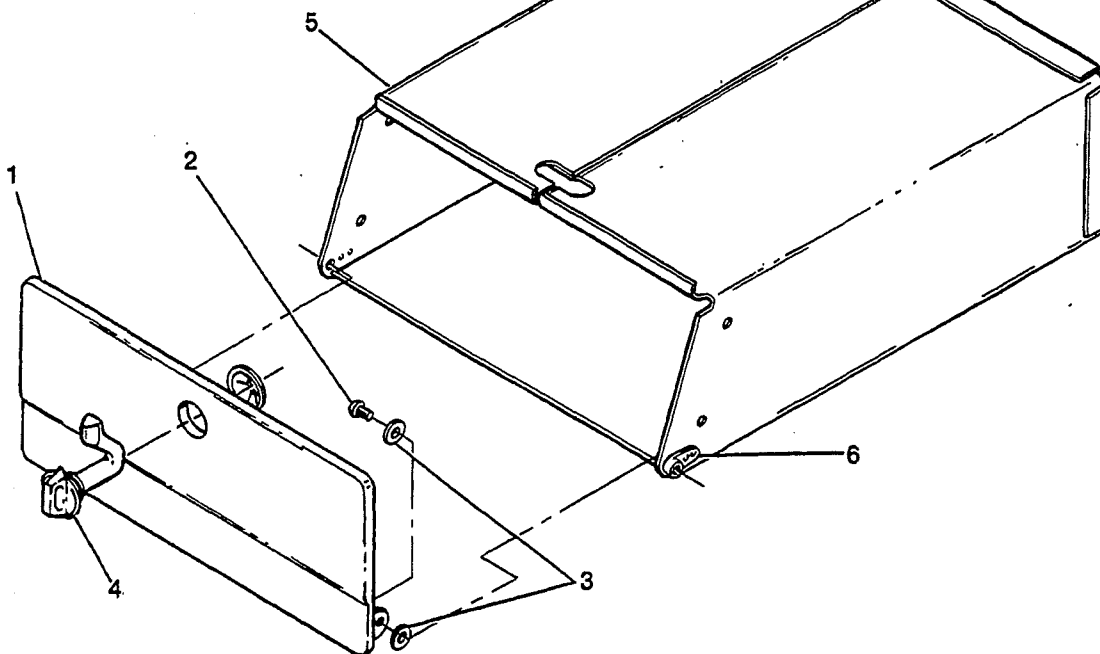
Figure 111. Map Compartment Installation

# 182 & T182 Parts Catalog

FIGURE AND INDEX NO.	PART NUMBER	DESCRIPTION	UNITS PER ASSY	USABLE ON CODE
111 -		MAP COMPARTMENT INSTALLATION -----	NP	A
- 1	0713881-15	DOOR ASSY-MAP COMPARTMENT -----	1	B
	075180-8	DOOR ASSY-MAP COMPARTMENT -----	1	C
- 1A	1213780-4	DOOR ASSY-MAP COMPARTMENT GRAY -----	1	D
	1213780-9	DOOR ASSY-MAP COMPARTMENT BLACK -----	1	H
		ATTACHING PARTS -----		
- 2	AN515-8R7	SCREW -----	3	
		-----*		
- 3	0713785-1	HINGE ASSY -----	1	
- 4	MS20253-2-646	HINGE PIN -----	1	
- 5	1213317-9	KNEE BUMPER -----	1	E
- 5A	0513292-16	PROTECTOR ASSY -----	1	D
		ATTACHING PARTS -----		
- 5B	S1021Z6-8	SCREW -----	2	D
		-----*		
- 6	1670056-2	HORN ASSY-STALL WARNING 12 VOLT -----	1	F
	SEE FIG 185	HORN ASSY-STALL WARNING 24 VOLT -----	1	F
- 7	0713738-3	BRACKET ASSY-STALL WARNING -----	1	F
	SEE FIG 185	BRACKET ASSY-STALL WARNING -----	1	F
		ATTACHING PARTS -----		
- 8	S1021Z8-8	SCREW -----	2	F
		-----*		
- 9	NAS395-12-3	NUT -----	2	F
-10	0713778-9	COMPARTMENT ASSY-MAP -----	1	
		ATTACHING PARTS -----		
-11	S1021Z6-6	SCREW -----	5	
-12	NAS446-2-3	NUT -----	5	
		-----*		
-13	S1895-1	CATCH-MAP COMPARTMENT -----	1	
		ATTACHING PARTS -----		
-14	S1021Z6-6	SCREW -----	2	
	NAS446-2-3	NUT -----	2	
		-----*		
	NAS557-3A	GROMMET -----	4	
<p>A---182 SERIAL 18262466 THRU 18268055  F182 SERIAL F18200001 THRU F18200169  T182 SERIAL 18267716 THRU 18268055</p> <p>B---182 SERIAL 18262466 THRU 18262607  18263476 THRU 18265175</p> <p>C---182 SERIAL 18262608 THRU 18263475</p> <p>D---182 SERIAL 18265176 THRU 18268055  F182 SERIAL F18200026 THRU F18200169</p> <p>E---182 SERIAL 18262466 THRU 18265175  F182 SERIAL F18200001 THRU F18200025</p> <p>F---182 SERIAL 18262466 THRU 18265965  F182 SERIAL F18200001 THRU F18200064</p> <p>G---182 SERIAL 18265966 THRU 18268055  F182 SERIAL F18200065 THRU F18200169</p> <p>H---182 SERIAL 18267301 THRU 18268055  F182 SERIAL F18200130 THRU F18200169</p>				

# 182 & T182 Parts Catalog

Map Compartment



## 182 & T182 SERIAL 18268056 & ON

Figure 111A. Map Compartment Installation.

FIGURE AND INDEX NO.	PART NUMBER	DESCRIPTION							UNITS PER ASSY	USABLE ON CODE
		1	2	3	4	5	6	7		
111A-		MAP COMPARTMENT INSTALLATION -----							NP	A
- 1	0713593-5	DOOR ASSY-MAP COMPARTMENT -----							1	
		ATTACHING PARTS -----								
- 2	AN515-6R5	SCREW -----							2	
- 3	NAS549-6L	WASHER -----							2	
		-----*								
- 4	S2477-4	LATCH ASSY-MAP COMPARTMENT -----							1	
- 5	0713592-4	GLOVE BOX ASSY -----							1	
- 6	NAS682A06K	NUTPLATE -----							2	
		A---182 & T182 SERIAL 18268056 & ON								

# 182 & T182 Parts Catalog

FIGURE AND INDEX NO.	PART NUMBER	DESCRIPTION							UNITS PER ASSY	USABLE ON CODE
		1	2	3	4	5	6	7		
112 -		FUSELAGE EQUIPMENT INSTALLATION -----							NP	A
- 1	SEE FIG 118	SHOULDER HARNESS ASSY -----							1	
- 2	1201039-1	TIE DOWN ASSY-CARGO -----							2	
		ATTACHING -----								
- 3	AN4-7A	BOLT -----							1	
	AN960-416	WASHER -----							1	
		*-----								
- 4	0711083-1	LATCH ASSY-CARGO TIE DOWN -----							7	
		ATTACHING PARTS -----								
	AN4-6A	BOLT -----							1	
	S1074-1	WASHER -----							1	
		*-----								
- 5	0541115-3	EYEBOLT-HOISTING -----							4	
- 6	MS35489-17	GROMMET -----							4	
- 7	0541115-2	SPACER -----							4	
- 8	0541115-4	PLATE-FRONT SPAR -----							2	
- 9	AN970-5	WASHER -----							2	
-10	AN960-516	WASHER -----							2	
-11	MS21042L5	NUT -----							4	
-12	0700612-2	BLOCK-REAR SPAR -----							2	
		ATTACHING PARTS -----								
-13	AN3-15A	BOLT -----							4	
-14	MS21044N3	NUT -----							4	
		*-----								
-15	0700612-3	BLOCK-FRONT SPAR -----							2	
		ATTACHING PARTS -----								
-16	AN3-15A	BOLT -----							4	
	MS21044N3	NUT -----							4	
		*-----								
-17	0700122-13	SUN VISOR ASSY-LH -----							1	D
-18	0700122-12	SUN VISOR ASSY-RH -----							1	D
-18A	0514163-1	SUN VISOR ASSY -----							2	D
		ATTACHING PARTS -----								D
-19	0713011-12	BRACKET -----							1	D
-19A	0514178-1	SHIM -----							1	D
-20	AN507-1032R14	SCREW -----							2	D
	S1542-1	WASHER -----							2	D
-20A	AN525-10R14	SCREW -----							2	D
		*-----								D
-21	C668507-0101	GAGE-OUTSIDE AIR TEMPERATURE -----							1	
	SEE FIG 112	STRETCHER INSTALLATION -----							1	
-22	SEE FIG 114	COMPASS & MIRROR INSTALLATION -----							1	
-23	0501019-1	TOW BAR ASSY -----							1	
	0700315-4	TOW BAR ASSY -----							1	H
-24	1260144-3	LOCK ASSY-CONTROL -----							1	J
	1260144-4	LOCK ASSY-CONTROL -----							1	K
	2160003-3	LOCK ASSY-CONTROL -----							1	L
-25	0500228-2	TOW HOOK-GLIDER -----							1	
		ATTACHING PARTS -----								
-26	SEE FIG 56	EYEBOLT-MOORING -----							1	
-27	SEE FIG 56	WASHER -----							1	
-28	SEE FIG 56	NUT -----							1	
-29	AN970-5	WASHER -----							2	
-30	0500228-5	BUSHING -----							1	
-31	S1450-5-14-063	WASHER -----							1	
		*-----								
-32	0500228-3	CORD-GLIDER TOW HOOK -----							1	
		LIFT HANDLE INSTALLATION -----							NP	
-33	0712748-1	REINFORCEMENT-LH -----							1	B
	2201010-1	REINFORCEMENT-RH -----							1	C
-34	0712748-2	REINFORCEMENT-RH -----							1	B
	2201010-2	REINFORCEMENT-RH -----							1	C
-35	0712750-2	BRACKET ASSY-RH -----							1	
	0712750-1	BRACKET ASSY-LH -----							1	
-36	0712749-1	TUBE-LIFT BAR -----							1	B
	0712749-2	TUBE-LIFT BAR -----							1	C
-37	0712751-1	SPRING -----							1	
	0712752-1	STOP -----							1	

CONTINUED ON NEXT PAGE



# 182 & T182 Parts Catalog

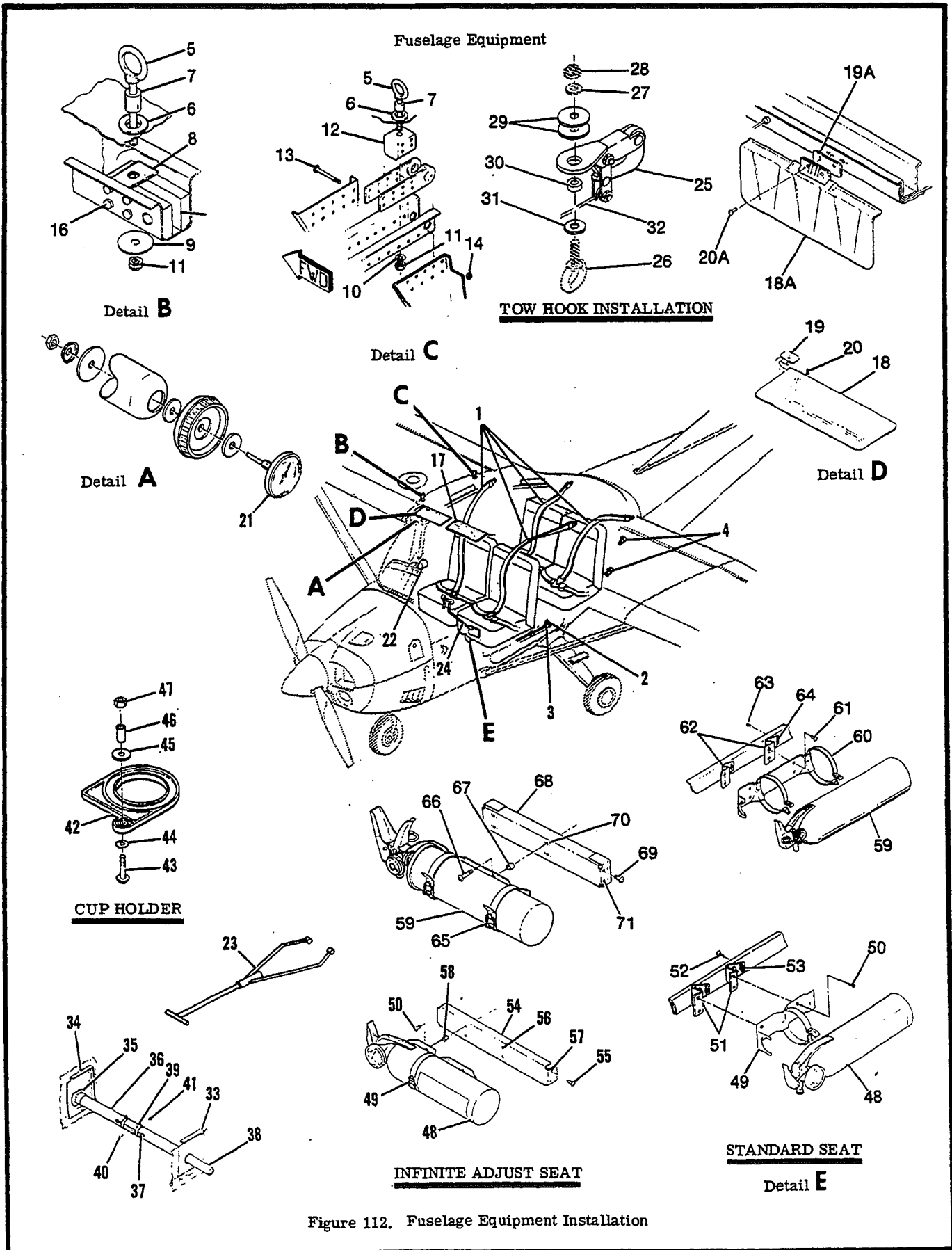


Figure 112. Fuselage Equipment Installation

# 182 & T182 Parts Catalog

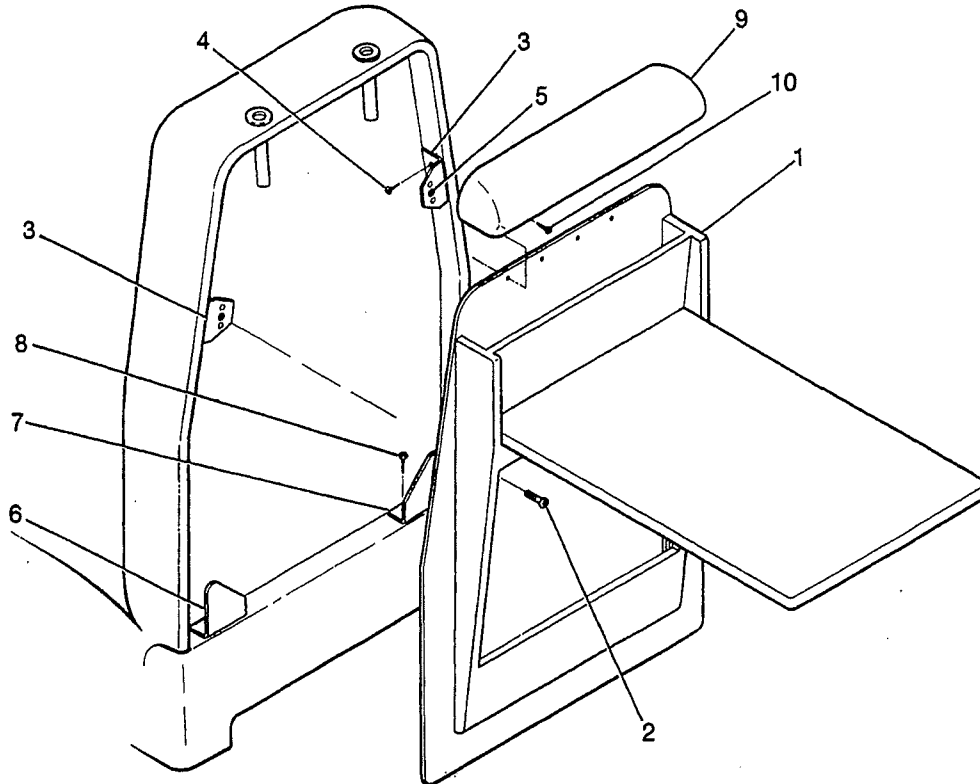
FIGURE AND INDEX NO.	PART NUMBER	DESCRIPTION							UNITS PER ASSY	USABLE ON CODE
		1	2	3	4	5	6	7		
112 -38	1612030-1	HANDLE ASSY -----							2	B
	1612030-4	HANDLE ASSY -----							2	C
-39	AN735D20	CLAMP -----							2	
		ATTACHING PARTS								
-40	AN515-8R10	SCREW -----							1	
-41	AN340-8	NUT -----							1	
		*-----								
-42	0501022-1	CUPHOLDER -----							2	
		ATTACHING PARTS								
-43	AN525-10R18	SCREW USED ON LH SIDE -----							1	
	AN525-10R12	SCREW USED ON RH SIDE -----							1	
-44	S1357-3	WASHER USED ON LH & RH SIDE -----							1	
-45	AN960-10	WASHER USED ON LH SIDE -----							1	
	AN960-10	WASHER USED ON RH SIDE -----							2	
-46	NAS43DD3-32	SPACER USED ON LH SIDE ONLY -----							1	
-47	AN960-10L	WASHER USED ON LH SIDE ONLY -----							1	
		*-----								
-48	C421001-0101	FIRE EXTINGUISHER -----							1	F
-49	C421001-0102	BRACKET ASSY -----							1	F
		ATTACHING PARTS								
-50	AN520-10R7	SCREW -----							4	F
		*-----								
-51	0713946-1	BRACKET ASSY -----							2	F
		ATTACHING PARTS								
-52	AN520-10R14	SCREW -----							4	F
		*-----								
-53	NAS697A3	NUTPLATE -----							4	F
-54	0713929-1	BRACKET ASSY-INFINITE ADJUST SEAT ONLY -----							1	F
		ATTACHING PARTS								
-55	AN520-10R8	SCREW -----							4	
		*-----								
-56	NAS680A3	NUTPLATE -----							4	
-57	NAS696A3	NUTPLATE -----							4	
-58	NAS43DD3-8	SPACER -----							4	F
-59	C421001-0201	FIRE EXTINGUISHER -----							1	G
-60	C421001-0202	BRACKET ASSY -----							1	G
		ATTACHING PARTS								
-61	AN520-10R14	SCREW -----							4	G
		*-----								
-62	0713946-3	BRACKET ASSY -----							2	G
		ATTACHING PARTS								
-63	AN520-10R7	SCREW -----							4	G
		*-----								
-64	NAS697A3	NUTPLATE -----							4	G
-65	C421001-0202	BRACKET ASSY -----							1	G
		ATTACHING PARTS								
-66	AN520-10R14	SCREW -----							4	G
-67	NAS43DD3-16	SPACER -----							4	G
		*-----								
-68	0713357-3	BRACKET ASSY USED WITH INFINITE ADJUST SEAT -----							1	G
		ATTACHING PARTS								
-69	AN520-10R14	SCREW -----							4	G
		*-----								
-70	NAS680A3	NUTPLATE -----							4	G
-71	NAS696A3	NUTPLATE -----							4	G
		<p>A---182 SERIAL 18262466 &amp; ON  F182 SERIAL F18200001 THRU F18200169  T182 SERIAL 18267716 &amp; ON</p> <p>B---182 SERIAL 18262466 THRU 18265965  F182 SERIAL F18200001 THRU F18200064</p> <p>C---182 SERIAL 18265966 &amp; ON  F182 SERIAL F18200065 THRU F18200169  T182 SERIAL 18267716 &amp; ON</p> <p>D---182 SERIAL 18262466 THRU 18267300  F182 SERIAL F18200001 THRU F18200129</p> <p>E---182 SERIAL 18267301 &amp; ON  F182 SERIAL F18200130 THRU F18200169  T182 SERIAL 18267716 &amp; ON</p>								
CONTINUED ON NEXT PAGE										

# 182 & T182 Parts Catalog

FIGURE AND INDEX NO.	PART NUMBER	DESCRIPTION	UNITS PER ASSY	USABLE ON CODE
		1 2 3 4 5 6 7		
112 -		F---182 SERIAL 18262466 THRU 18268045 F182 SERIAL F18200001 THRU F18200169 T182 SERIAL 18267716 THRU 18268045 G---182 & T182 SERIAL 18268046 & ON H---182 SERIAL 18262466 THRU 18268055 T182 SERIAL 18267716 THRU 18268055 J---182 & T182 SERIAL 18268056 & ON K---182 SERIAL 18268056 & ON L---T182 SERIAL 18268056 & ON		

# 182 & T182 Parts Catalog

## Fuselage Equipment (Cont)



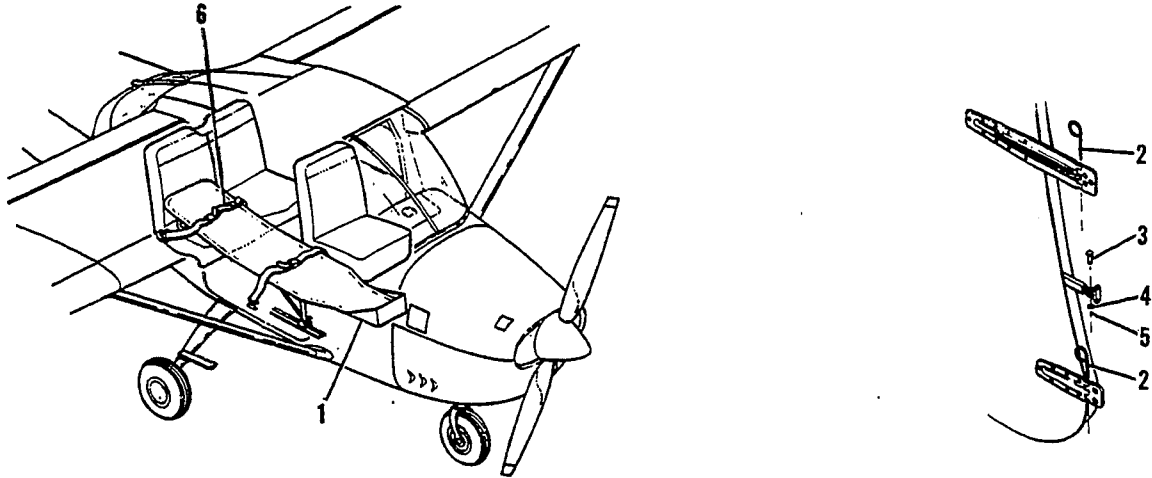
**182 SERIAL 18267301 & ON  
F182 SERIAL F18200130 THRU F18200169  
T182 SERIAL 18267716 & ON**

Figure 113. Table Installation-Front Seat Back

FIGURE AND INDEX NO.	PART NUMBER	DESCRIPTION							UNITS PER ASSY	USABLE ON CODE
		1	2	3	4	5	6	7		
113 -		TABLE INSTALLATION-SEAT BACK -----							NP	A
- 1	8601-1	TABLE-SEAT BACK PRPA -----							1	
- 2	AN525-10-10	SCREW -----							2	
- 3	1715071-4	BRACKET ASSY-SEAT BACK TABLE -----							2	
- 4	S1021A6-10	SCREW -----							2	
- 5	NAS1068A3	NUTPLATE -----							1	
- 6	1715071-1	BRACKET-SEAT BACK TABLE LH -----							1	
- 7	1715071-2	BRACKET-SEAT BACK TABLE RH -----							1	
- 8	S1021A6-10	SCREW -----							2	
- 9	1715074-1	#	BUMPER ASSY-TABLE -----						1	
-10	S1022A4-8	SCREW -----							4	
<p>NOTE. #REFER TO HOW TO ORDER UPHOLSTERED PARTS-PAGE XII.</p> <p>A---182 SERIAL 18267301 &amp; ON F182 SERIAL F18200130 THRU F18200169 T182 SERIAL 18267716 &amp; ON</p>										

# 182 & T182 Parts Catalog

## Fuselage Equipment (Cont)



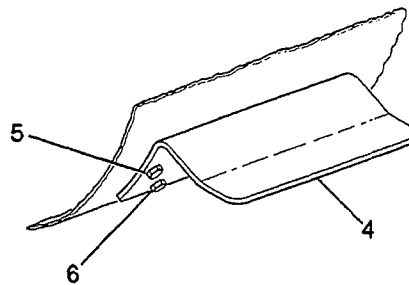
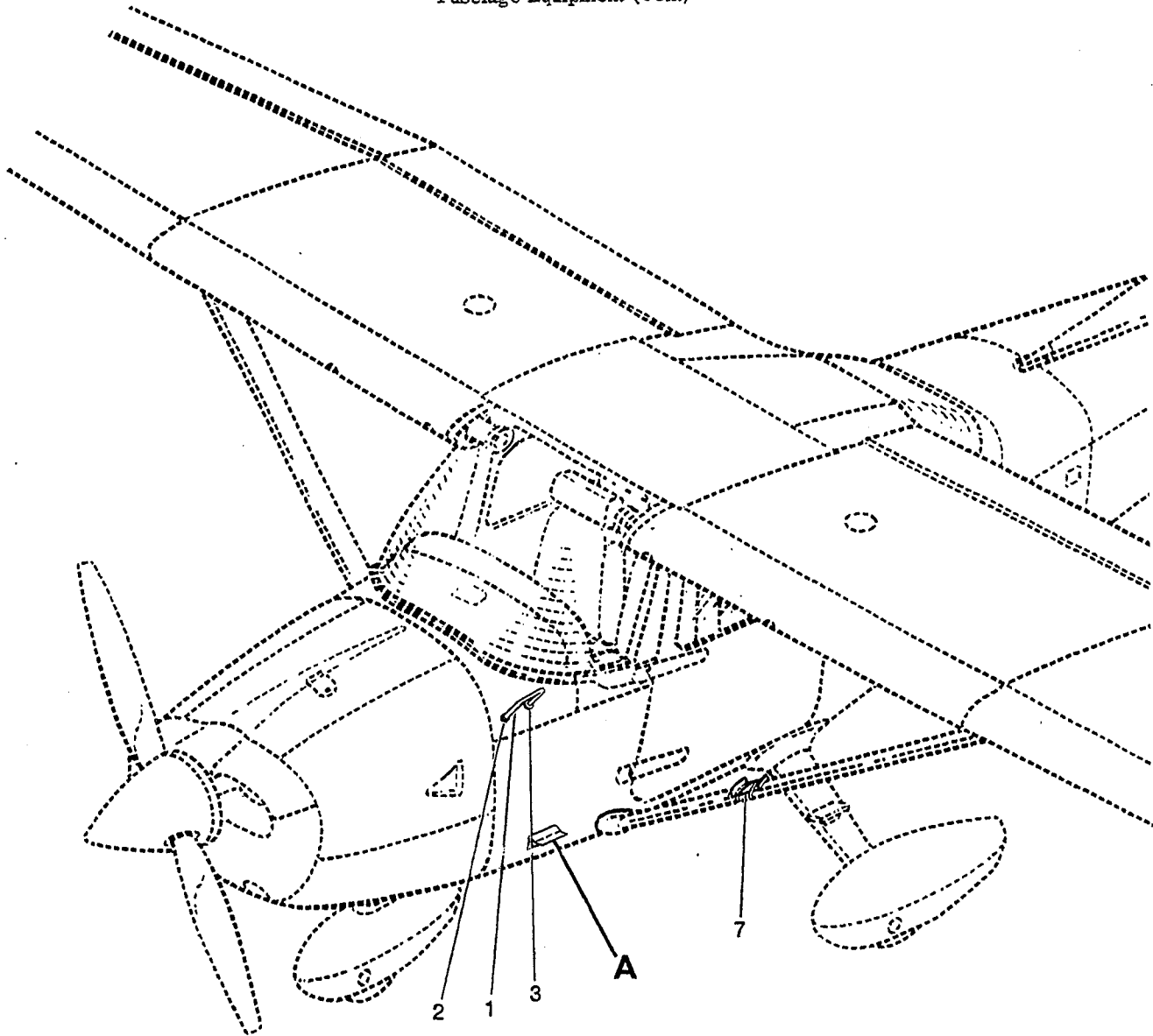
**182 SERIAL 18262466 THRU 18265965  
F182 SERIAL F18200001 THRU F18200064**

Figure 114. Portable Stretcher Installation

FIGURE AND INDEX NO.	PART NUMBER	DESCRIPTION							UNITS PER ASSY	USABLE ON CODE
		1	2	3	4	5	6	7		
114 -		STRETCHER INSTALLATION-PORTABLE -----							NP	A
- 1	0700164-6	STRETCHER-PORTABLE -----							1	
- 2	S1426-1	PIN-HINGE -----							2	
- 3	MS20392-1C17	PIN-FLATHEAD -----							1	
- 4	AN960-10L	WASHER -----							1	
- 5	MS24665-151	PIN-COTTER -----							1	
- 6	FDC-2475-50	BELT EXTENSION DAP1 -----							1	
	S1809-1	BELT EXTENSION METAL TO METAL BUCKLE -----							1	
		<p>A---182 SERIAL 18262466 THRU 18265965 F182 SERIAL F18200001 THRU F18200064</p>								

# 182 & T182 Parts Catalog

Fuselage Equipment (Cont)



Detail A

**182 & T182 SERIAL 18267716 & ON**

Figure 115. Step & Handle Installation

# 182 & T182 Parts Catalog

FIGURE AND INDEX NO.	PART NUMBER	DESCRIPTION							UNITS PER ASSY	USABLE ON CODE	
		1	2	3	4	5	6	7			
115 -	- 1	1613224-2	STEP & HANDLE INSTALLATION -----							NP	A
			HANDLE -----							2	
	- 2	AN960-416 MS21042L4	ATTACHING PARTS -----								
			WASHER-FWD -----							2	
	- 3	S1450-4H12-050 MS21042L4	NUT -----							1	
			WASHER-AFT -----							2	
			NUT -----							1	
			-----*								
	- 4	0701126-1 0701126-2	STEP-LH -----							1	
			STEP-RH -----							1	
			ATTACHING PARTS -----								
	- 5	AN3-4A MS21044N3	BOLT -----							1	
			NUT -----							1	
	- 6	AN970-3 AN3-4A MS21044N3 AN960D10L	WASHER -----							1	
			BOLT -----							4	
			NUT -----							4	
			WASHER -----							4	
			-----*								
	- 7	0721207-1 0721207-2	STEP ASSY-STRUT LH -----							1	
			STEP ASSY-STRUT RH -----							1	
		ATTACHING PARTS -----									
	AN3-3A AN960-10L MS21044N3	BOLT -----							2		
		WASHER -----							2		
		NUT -----							2		
		-----*									
A---182 & T182 SERIAL 18267716 & ON											

# 182 & T182 Parts Catalog

## Fuselage Equipment (Cont)

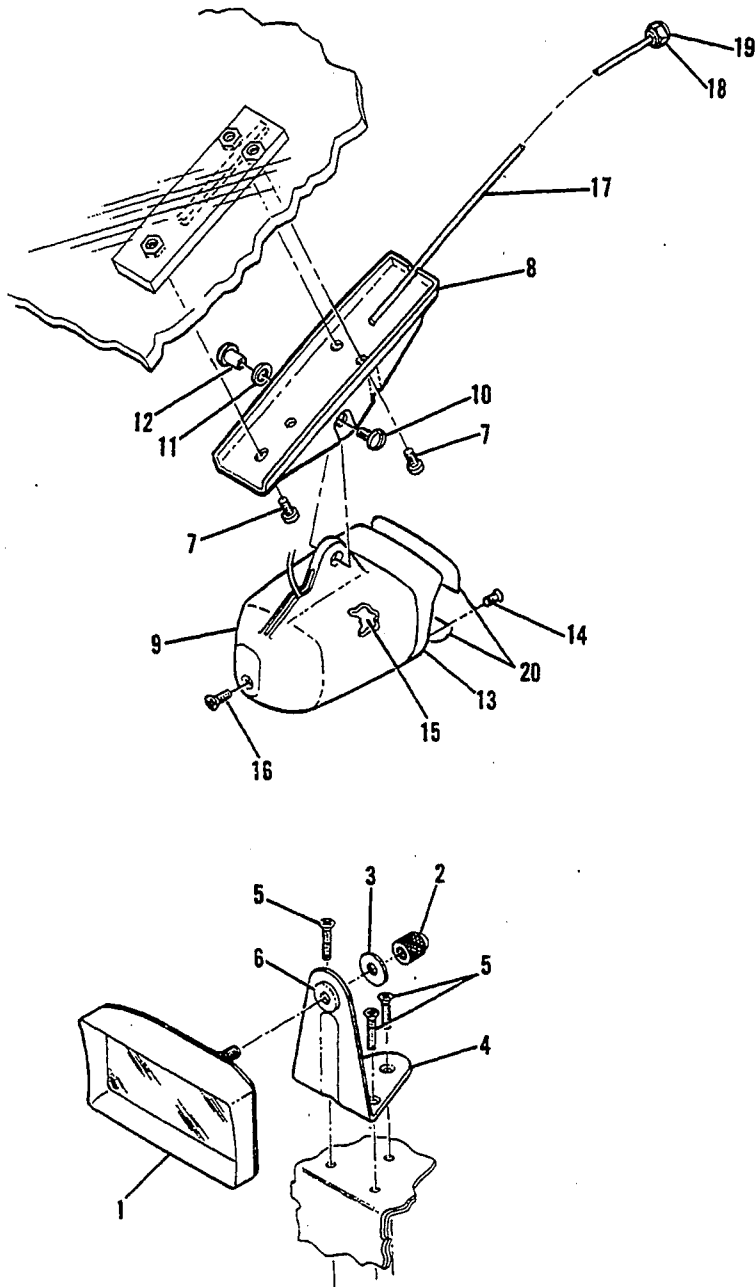


Figure 116. Rear View Mirror & Compass Installation

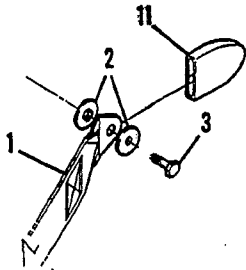


# 182 & T182 Parts Catalog

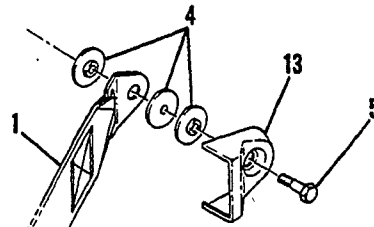
FIGURE AND INDEX NO.	PART NUMBER	DESCRIPTION							UNITS PER ASSY	USABLE ON CODE
		1	2	3	4	5	6	7		
116 -		REAR VIEW MIRROR INSTALLATION -----							NP	
- 1	0500312-2	MIRROR & COVER ASSEMBLY -----							1	
		ATTACHING PARTS -----								
- 2	0500313-1	NUT -----							1	
- 3	S1450-4A11-063	WASHER -----							1	
		*-----								
- 4	1213293-1	BRACKET ASSY -----							1	
		ATTACHING PARTS -----								
- 5	AN507B832R8	SCREW -----							3	
		*-----								
- 6	MS35489-6	GROMMET -----							1	
		COMPASS INSTALLATION -----							NP	
	0413517-1	COMPASS ASSY 12 VOLT -----							1	A
	0413517-7	COMPASS ASSY 24 VOLT -----							1	B
		ATTACHING PARTS -----								
- 7	AN500B8-6	SCREW -----							3	
		*-----								
- 8	0413517-3	BASE-COMPASS -----							1	
- 9	0413517-5	CUP-COMPASS -----							1	
		ATTACHING PARTS -----								
-10	D366	SCREW -----							1	
-11	AN960-D10L	WASHER -----							1	
-12	D4023X.375	POST -----							1	
		*-----								
-13	0413517-15	BEZEL-COMPASS -----							1	
		ATTACHING PARTS -----								
-14	AN510B4R6	SCREW -----							2	
		*-----								
-15	C660501-0101	COMPASS 12 VOLT -----							1	A
	C660501-0102	COMPASS 24 VOLT -----							1	B
		ATTACHING PARTS -----								
-16	AN507B832R14	SCREW -----							1	
		*-----								
	MS25237-330	BULB-COMPASS 12 VOLT -----							1	A
	MS25237-327	BULB-COMPASS 24 VOLT -----							1	B
-17	0713817-4	TUBE ASSEMBLY -----							1	
	0713817-1	TUBE ASSEMBLY -----							1	B
		ATTACHING PARTS -----								
-18	S1216-3	NUT -----							1	
-19	AN936A416	WASHER -----							1	
	NAS620A416L	WASHER -----							1	
		*-----								
-20	SEE FIG 3	PLACARD-COMPASS CORRECTION -----							2	
		A---182 SERIAL 18262466 THRU 18265965 F182 SERIAL F18200001 THRU F18200064 B---182 SERIAL 18265966 & ON F182 SERIAL F18200065 THRU F18200169 T182 SERIAL 18267716 & ON								

# 182 & T182 Parts Catalog

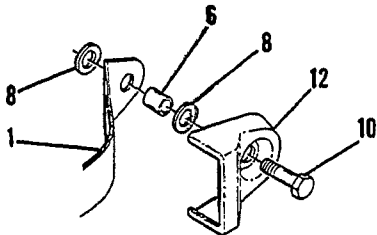
## Shoulder Harness



18262466 THRU 18262939

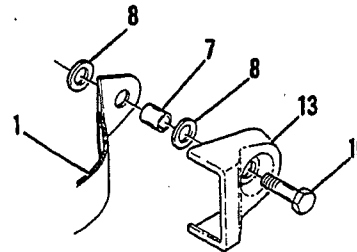


18262466 THRU 18262939



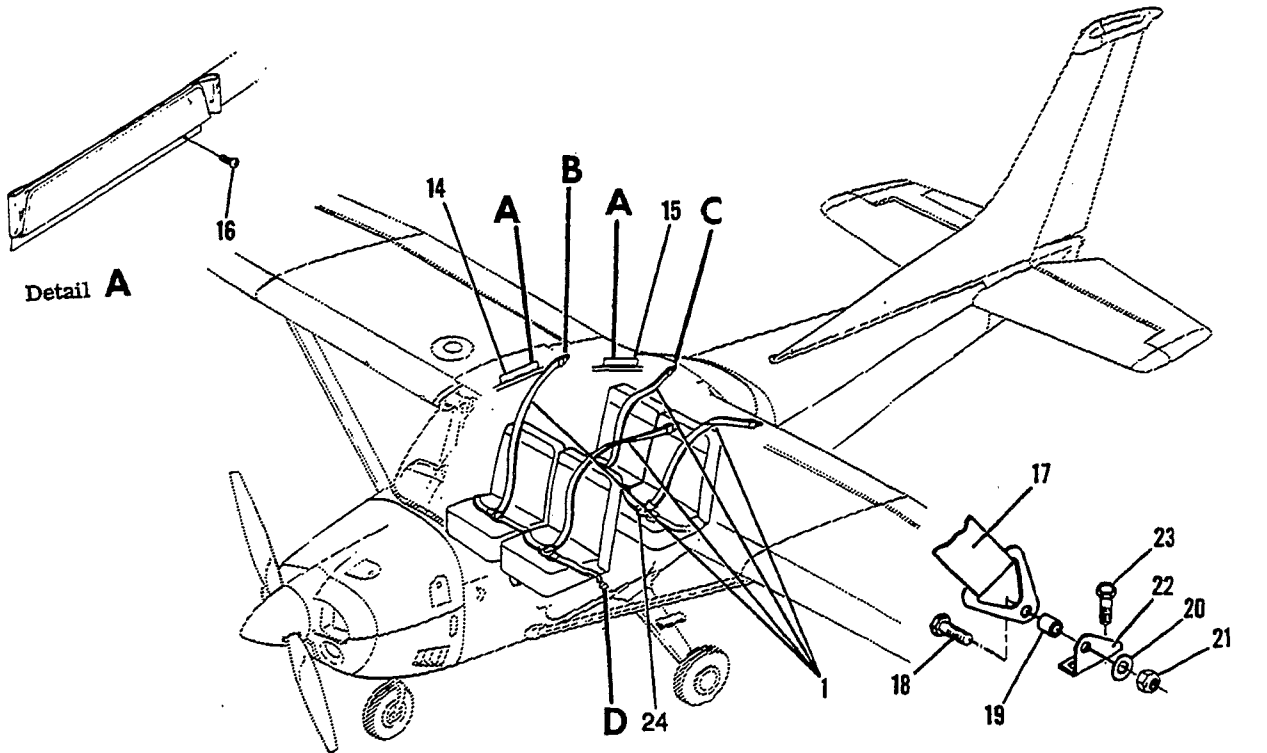
18262940 & ON

Detail B



18262940 & ON

Detail C



Detail A

FRONT SEAT BELT ATTACHMENT

Detail D

**182 SERIAL 18262466 & ON**  
**F182 SERIAL F1820001 THRU F18200169**  
**T182 SERIAL 18267716 & ON**

Figure 117. Seat Belt & Shoulder Harness Installation

# 182 & T182 Parts Catalog

FIGURE AND INDEX NO.	PART NUMBER	1	2	3	4	5	6	7	UNITS PER ASSY	USABLE ON CODE
117 -		SEAT BELT & SHOULDER HARNESS INSTALLATION -----							NP	A
- 1	S2275CC201	HARNESS ASSY-SHOULDER BROWN -----							1	F
	S2275BB201	HARNESS ASSY-SHOULDER BLUE -----							1	F
	S2275AA201	HARNESS ASSY-SHOULDER GREEN -----							1	F
	S2275T201	HARNESS ASSY-SHOULDER RED -----							1	F
	S2275T201	HARNESS ASSY-SHOULDER GOLD -----							1	F
	S2275B201	HARNESS ASSY-SHOULDER BLACK -----							1	F
	S2275CC201	HARNESS ASSY-SHOULDER CHESTNUT BROWN -----							1	G
	S2275FF201	HARNESS ASSY-SHOULDER SAPPHIRE BLUE -----							1	G
	S2275GG201	HARNESS ASSY-SHOULDER ORO GREEN -----							1	G
	S2275EE201	HARNESS ASSY-SHOULDER RUBY RED -----							1	G
	S2275HH201	HARNESS ASSY-SHOULDER TOPAZ GOLD -----							1	G
	S2275B201	HARNESS ASSY-SHOULDER BLACK -----							1	G
	S2275CC201	HARNESS ASSY-SHOULDER CHESTNUT BROWN -----							1	H
	S2275JJ201	HARNESS ASSY-SHOULDER DUTCH BLUE -----							1	H
	S2275Z201	HARNESS ASSY-SHOULDER HUNTER RED -----							1	H
	S2275KK201	HARNESS ASSY-SHOULDER MAIZE -----							1	H
	S2275B201	HARNESS ASSY-SHOULDER BLACK -----							1	H
	S2275CC201	HARNESS ASSY-SHOULDER BROWN -----							1	J
	S2275JJ201	HARNESS ASSY-SHOULDER BLUE -----							1	J
	S2275MM201	HARNESS ASSY-SHOULDER BEIGE -----							1	J
	S2275NN201	HARNESS ASSY-SHOULDER GREEN -----							1	J
	S2275Z201	HARNESS ASSY-SHOULDER RED -----							1	J
	S2275LL201	HARNESS ASSY-SHOULDER RUST -----							1	J
	S2275B201	HARNESS ASSY-SHOULDER BLACK -----							1	J
	S2275B201	HARNESS ASSY-SHOULDER BLACK -----							1	J
	S2275ZZ201	HARNESS ASSY-SHOULDER RED -----							1	K
	S2275JJ201	HARNESS ASSY-SHOULDER BLUE -----							1	K
	S2275PP201	HARNESS ASSY-SHOULDER BROWN -----							1	K
	S2275CC201	HARNESS ASSY-SHOULDER GOLD -----							1	K
	S2275WD201	HARNESS ASSY-SHOULDER RUST -----							1	K
	S2275WJ201	HARNESS ASSY-SHOULDER BURGUNDY -----							1	K
	S2275WG201	HARNESS ASSY-SHOULDER GRAY -----							1	K
	S2275MM201	HARNESS ASSY-SHOULDER BEIGE -----							1	K
		ATTACHING PARTS								
- 2	S2074-1	SPACER FWD -----							2	B
- 3	NAS464P4A8	BOLT FWD -----							1	B
- 4	S2074-1	SPACER AFT -----							3	B
- 5	NAS464P4A10	BOLT AFT -----							1	B
- 6	NAS43HT4-24	SPACER FWD -----							1	C
- 7	NAS43HT4-22	SPACER AFT -----							1	C
- 8	AN960-616	WASHER -----							2	C
- 9		DELETED NOT PROCURABLE -----								
- 10	NAS464P4A8	BOLT -----							1	C
		*-----								
- 11	S2076-1	COVER-SHOULDER HARNESS FITTING FWD -----							1	B
- 12	0415010-1	COVER-SHOULDER HARNESS FITTING FWD -----							1	C
- 13	0415010-1	COVER-SHOULDER HARNESS FITTING AFT -----							1	C
- 14	0515010-5	TRAY ASSY-SHOULDER HARNESS STOWAGE FWD -----							2	
- 15	0515010-6	TRAY ASSY-SHOULDER HARNESS STOWAGE AFT -----							2	
		ATTACHING PARTS								
- 16	S1021A4-6	SCREW -----							4	
		*-----								
- 17	S2275CC111	BELT ASSY-FRONT SEAT BROWN -----							2	F
	S2275BB111	BELT ASSY-FRONT SEAT BLUE -----							2	F
	S2275AA111	BELT ASSY-FRONT SEAT GREEN -----							2	F
	S2275T111	BELT ASSY-FRONT SEAT RED -----							2	F
	S2275DD111	BELT ASSY-FRONT SEAT GOLD -----							2	F
	S2275B111	BELT ASSY-FRONT SEAT BLACK -----							2	F
	S2275CC111	BELT ASSY-FRONT SEAT CHESTNUT BROWN -----							1	G
	S2275FF111	BELT ASSY-FRONT SEAT SAPPHIRE BLUE -----							1	G
	S2275GG111	BELT ASSY-FRONT SEAT ORO GREEN -----							1	G
	S2275EE111	BELT ASSY-FRONT SEAT RUBY RED -----							1	G
	S2275HH111	BELT ASSY-FRONT SEAT TOPAZ GOLD -----							1	G
	S2275B111	BELT ASSY-FRONT SEAT BLACK -----							1	G
	S2275CC111	BELT ASSY-FRONT SEAT CHESTNUT BROWN -----							1	H
	S2275JJ111	BELT ASSY-FRONT SEAT DUTCH BLUE -----							1	H
	S2275Z111	BELT ASSY-FRONT SEAT HUNTER RED -----							1	H
	S2275KK111	BELT ASSY-FRONT SEAT MAIZE -----							1	H
	S2275B111	BELT ASSY-FRONT SEAT BLACK -----							1	H
	S2275CC111	BELT ASSY-FRONT SEAT BROWN -----							1	J
	S2275JJ111	BELT ASSY-FRONT SEAT BLUE -----							1	J
	S2275MM111	BELT ASSY-FRONT SEAT BEIGE -----							1	J
	S2275NN111	BELT ASSY-FRONT SEAT GREEN -----							1	J

CONTINUED ON NEXT PAGE

# 182 & T182 Parts Catalog

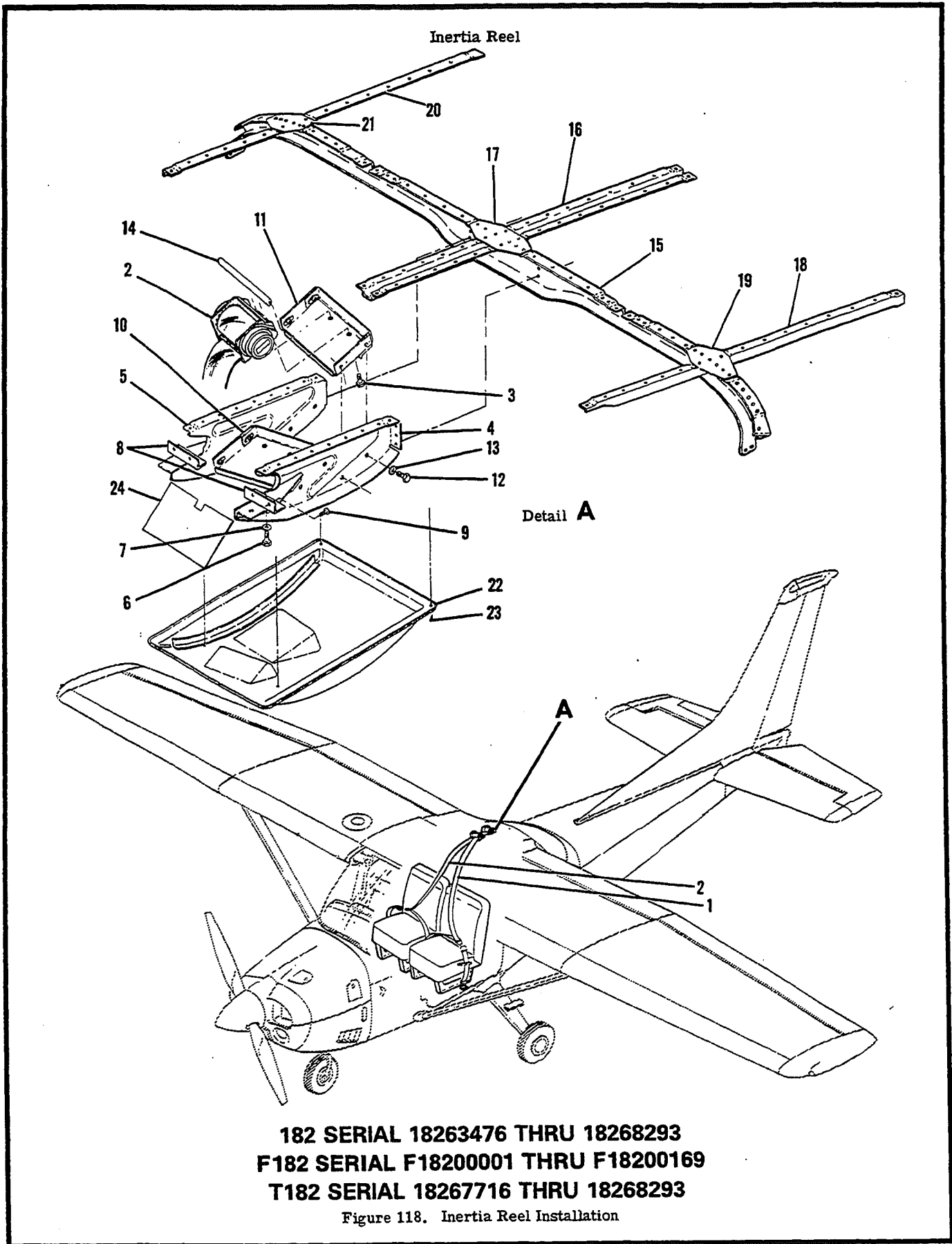
FIGURE AND INDEX NO.	PART NUMBER	DESCRIPTION							UNITS PER ASSY	USABLE ON CODE
		1	2	3	4	5	6	7		
117 -	S2275Z111	BELT ASSY-FRONT SEAT	RED	-----	-----	-----	-----	-----	1	J
	S2275L111	BELT ASSY-FRONT SEAT	RUST	-----	-----	-----	-----	-----	1	J
	S2275B111	BELT ASSY-FRONT SEAT	BLACK	-----	-----	-----	-----	-----	1	J
	S2275B111	BELT ASSY-FRONT SEAT	BLACK	-----	-----	-----	-----	-----	1	J
	S2275Z211	BELT ASSY-FRONT SEAT	RED	-----	-----	-----	-----	-----	1	K
	S2275JJ111	BELT ASSY-FRONT SEAT	BLUE	-----	-----	-----	-----	-----	1	K
	S2275PP111	BELT ASSY-FRONT SEAT	BROWN	-----	-----	-----	-----	-----	1	K
	S2275CC111	BELT ASSY-FRONT SEAT	GOLD	-----	-----	-----	-----	-----	1	K
	S2275WD111	BELT ASSY-FRONT SEAT	RUST	-----	-----	-----	-----	-----	1	K
	S2275WJ111	BELT ASSY-FRONT SEAT	BURGUNDY	-----	-----	-----	-----	-----	1	K
	S2275WG111	BELT ASSY-FRONT SEAT	GRAY	-----	-----	-----	-----	-----	1	K
	S2275MM111	BELT ASSY-FRONT SEAT	BEIGE	-----	-----	-----	-----	-----	1	K
		ATTACHING PARTS								
	-18	AN4-5A	BOLT	-----	-----	-----	-----	-----	-----	2
-19	NAS43HT4-12	SPACER	-----	-----	-----	-----	-----	-----	2	
-20	AN960-416L	WASHER	-----	-----	-----	-----	-----	-----	2	
-21	MS21042L4	NUT	-----	-----	-----	-----	-----	-----	2	
	*-----*									
-22	0510205-5	FITTING-SEAT BELT	INBD LH & OUTBD RH	-----	-----	-----	-----	-----	2	D
	0510205-7	FITTING-BELT	INBD LH & OUTBD RH	-----	-----	-----	-----	-----	2	D
	0510205-6	FITTING-SEAT BELT	OUTBD LH & INBD RH	-----	-----	-----	-----	-----	2	E
	0510205-8	FITTING-SEAT BELT	OUTBD LH & INBD RH	-----	-----	-----	-----	-----	2	E
	ATTACHING PARTS									
-23	AN3-4A	BOLT	-----	-----	-----	-----	-----	-----	2	D
	AN4-4A	BOLT	-----	-----	-----	-----	-----	-----	2	E
	*-----*									
-24	S2275CC107	BELT ASSY-REAR SEAT	BROWN	-----	-----	-----	-----	-----	1	F
	S2275BB107	BELT ASSY-REAR SEAT	BLUE	-----	-----	-----	-----	-----	1	F
	S2275AA107	BELT ASSY-REAR SEAT	GREEN	-----	-----	-----	-----	-----	1	F
	S2275T107	BELT ASSY-REAR SEAT	RED	-----	-----	-----	-----	-----	1	F
	S2275DD107	BELT ASSY-REAR SEAT	GOLD	-----	-----	-----	-----	-----	1	F
	S2275B107	BELT ASSY-REAR SEAT	BLACK	-----	-----	-----	-----	-----	1	F
	S2275CC107	BELT ASSY-REAR SEAT	BROWN	-----	-----	-----	-----	-----	1	G
	S2275FF107	BELT ASSY-REAR SEAT	BLUE	-----	-----	-----	-----	-----	1	G
	S2275GG107	BELT ASSY-REAR SEAT	GREEN	-----	-----	-----	-----	-----	1	G
	S2275EE107	BELT ASSY-REAR SEAT	RED	-----	-----	-----	-----	-----	1	G
	S2275HH107	BELT ASSY-REAR SEAT	GOLD	-----	-----	-----	-----	-----	1	G
	S2275B107	BELT ASSY-REAR SEAT	BLACK	-----	-----	-----	-----	-----	1	G
	S2275CC107	BELT ASSY-REAR SEAT	BROWN	-----	-----	-----	-----	-----	1	H
	S2275JJ107	BELT ASSY-REAR SEAT	BLUE	-----	-----	-----	-----	-----	1	H
	S2275Z107	BELT ASSY-REAR SEAT	RED	-----	-----	-----	-----	-----	1	H
	S2275KK107	BELT ASSY-REAR SEAT	MAIZE	-----	-----	-----	-----	-----	1	H
	S2275B107	BELT ASSY-REAR SEAT	BLACK	-----	-----	-----	-----	-----	1	H
	S2275CC107	BELT ASSY-REAR SEAT	BROWN	-----	-----	-----	-----	-----	1	J
	S2275JJ107	BELT ASSY-REAR SEAT	BLUE	-----	-----	-----	-----	-----	1	J
	S2275MM107	BELT ASSY-REAR SEAT	BEIGE	-----	-----	-----	-----	-----	1	J
	S2275NN107	BELT ASSY-REAR SEAT	GREEN	-----	-----	-----	-----	-----	1	J
	S2275Z107	BELT ASSY-REAR SEAT	RED	-----	-----	-----	-----	-----	1	J
	S2275LL107	BELT ASSY-REAR SEAT	RUST	-----	-----	-----	-----	-----	1	J
	S2275B107	BELT ASSY-REAR SEAT	BLACK	-----	-----	-----	-----	-----	1	J
	S2275CC127	BELT ASSY-REAR SEAT	GOLD	-----	-----	-----	-----	-----	1	K
	S2275JJ127	BELT ASSY-REAR SEAT	BLUE	-----	-----	-----	-----	-----	1	K
	S2275MM127	BELT ASSY-REAR SEAT	BEIGE	-----	-----	-----	-----	-----	1	K
	S2275WD127	BELT ASSY-REAR SEAT	RUST	-----	-----	-----	-----	-----	1	K
	S2275Z2127	BELT ASSY-REAR SEAT	RED	-----	-----	-----	-----	-----	1	K
	S2275WG127	BELT ASSY-REAR SEAT	GRAY	-----	-----	-----	-----	-----	1	K
	S2275B127	BELT ASSY-REAR SEAT	BLACK	-----	-----	-----	-----	-----	1	K
	S2275PP127	BELT ASSY-REAR SEAT	BROWN	-----	-----	-----	-----	-----	1	K
	S2275WJ127	BELT ASSY-REAR SEAT	BURGUNDY	-----	-----	-----	-----	-----	1	K
S1746CC1	BELT ASSY-REAR SEAT	BROWN	-----	-----	-----	-----	-----	1	F	
S1746BB1	BELT ASSY-REAR SEAT	BLUE	-----	-----	-----	-----	-----	1	F	
S1746AA1	BELT ASSY-REAR SEAT	GREEN	-----	-----	-----	-----	-----	1	F	
S1746T1	BELT ASSY-REAR SEAT	RED	-----	-----	-----	-----	-----	1	F	
S1746DD1	BELT ASSY-REAR SEAT	GOLD	-----	-----	-----	-----	-----	1	F	
S1746B1	BELT ASSY-REAR SEAT	BLACK	-----	-----	-----	-----	-----	1	F	
S1746CC1	BELT ASSY-REAR SEAT	BROWN	-----	-----	-----	-----	-----	1	G	
S1746FF1	BELT ASSY-REAR SEAT	BLUE	-----	-----	-----	-----	-----	1	G	
S1746GG1	BELT ASSY-REAR SEAT	GREEN	-----	-----	-----	-----	-----	1	G	
S1746EE1	BELT ASSY-REAR SEAT	RED	-----	-----	-----	-----	-----	1	G	
S1846HH1	BELT ASSY-REAR SEAT	GOLD	-----	-----	-----	-----	-----	1	G	
S1746B1	BELT ASSY-REAR SEAT	BLACK	-----	-----	-----	-----	-----	1	G	
S1746CC1	BELT ASSY-REAR SEAT	BROWN	-----	-----	-----	-----	-----	1	H	

CONTINUED ON NEXT PAGE

# 182 & T182 Parts Catalog

FIGURE AND INDEX NO.	PART NUMBER		DESCRIPTION							UNITS PER ASSY	USABLE ON CODE
			1	2	3	4	5	6	7		
117 -	S1746JJ1	**	BELT	ASSY-REAR	SEAT	BLUE	-----	-----	-----	1	H
	S1746Z1	**	BELT	ASSY-REAR	SEAT	RED	-----	-----	-----	1	H
	S1746KK1	**	BELT	ASSY-REAR	SEAT	MAIZE	-----	-----	-----	1	H
	S1746B1	**	BELT	ASSY-REAR	SEAT	BLACK	-----	-----	-----	1	H
	S1746CC1	**	BELT	ASSY-REAR	SEAT	BROWN	-----	-----	-----	1	J
	S1746JJ1	**	BELT	ASSY-REAR	SEAT	BLUE	-----	-----	-----	1	J
	S1746MM1	**	BELT	ASSY-REAR	SEAT	BEIGE	-----	-----	-----	1	J
	S1746NN1	**	BELT	ASSY-REAR	SEAT	GREEN	-----	-----	-----	1	J
	S1746Z1	**	BELT	ASSY-REAR	SEAT	RED	-----	-----	-----	1	J
	S1746LL1	**	BELT	ASSY-REAR	SEAT	RUST	-----	-----	-----	1	J
	S1746B1	**	BELT	ASSY-REAR	SEAT	BLACK	-----	-----	-----	1	J
	<p>NOTE. *WHEN INITIALLY ORDERING SEAT BELT OR SHOULDER HARNESS FOR AIRCRAFT PRIOR TO SERIAL 18264256, BOTH SEAT BELT &amp; SHOULDER HARNESS MUST BE REPLACED</p> <p>NOTE. *USE WITH SHOULDER HARNESS</p> <p>NOTE. **USE WITHOUT SHOULDER HARNESS</p> <p>A---182 SERIAL 18262466 &amp; ON  F182 SERIAL F18200001 THRU F18200169  T182 SERIAL 18267716 &amp; ON</p> <p>B---182 SERIAL 18262466 THRU 18262939</p> <p>C---182 SERIAL 18262940 &amp; ON  F182 SERIAL F18200001 THRU F18200169  T182 SERIAL 18267716 &amp; ON</p> <p>D---182 SERIAL 18262466 THRU 18263475</p> <p>E---182 SERIAL 18263476 &amp; ON  F182 SERIAL F18200001 THRU F18200169  T182 SERIAL 18267716 &amp; ON</p> <p>F---182 SERIAL 18262466 THRU 18264295</p> <p>G---182 SERIAL 18264296 THRU 18265965  F182 SERIAL F18200001 THRU F18200064</p> <p>H---182 SERIAL 18265966 THRU 18266590  F182 SERIAL F18200065 THRU F18200094</p> <p>J---182 SERIAL 18266591 THRU 18268383  F182 SERIAL F18200095 THRU F18200169  T182 SERIAL 18267716 THRU 18268383</p> <p>K---182 &amp; T182 SERIAL 18268384 &amp; ON</p>										

# 182 & T182 Parts Catalog

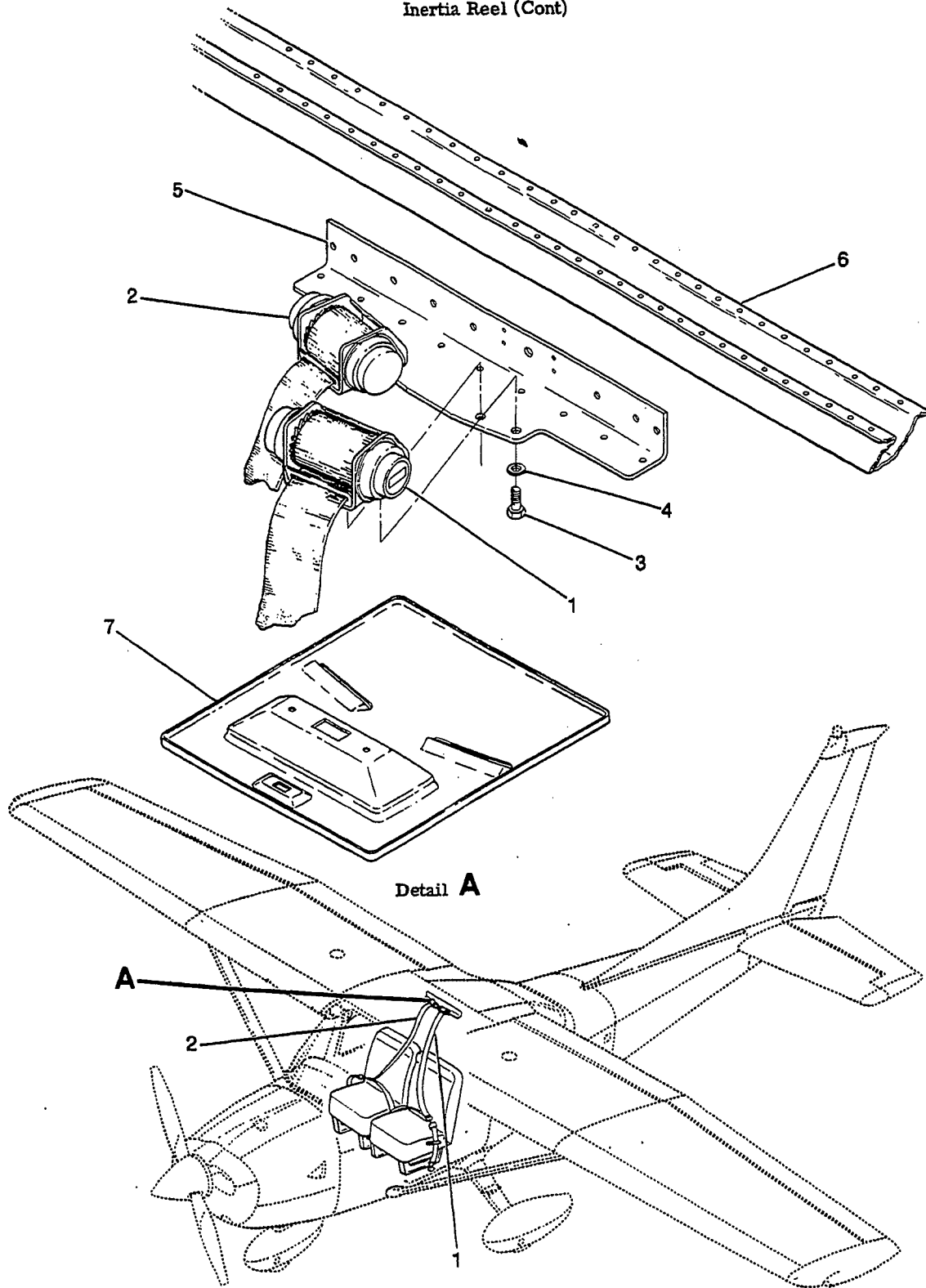


# 182 & T182 Parts Catalog

FIGURE AND INDEX NO.	PART NUMBER	DESCRIPTION							UNITS PER ASSY	USABLE ON CODE
		1	2	3	4	5	6	7		
118 -		INERTIA REEL INSTALLATION -----							NP	A
- 1	S2199-3	BELT ASSY-LH BLACK ONLY -----							1	
- 2	S2199-4	BELT ASSY-RH BLACK ONLY -----							1	
		ATTACHING PARTS -----								
- 3	NAS222-9	SCREW -----							2	
		*-----								
- 4	0701073-1	RIB ASSY-LH -----							1	
- 5	0701073-2	RIB ASSY-RH -----							1	
		ATTACHING PARTS -----								
- 6	AN3-3A	BOLT -----							2	
- 7	AN960-10L	WASHER -----							2	
		*-----								
- 8	0701075-1	SUPPORT ANGLE ASSY -----							2	
		ATTACHING PARTS -----								
- 9	AN525-832R7	SCREW -----							2	
		*-----								
	NAS697A3	NUTPLATE -----							1	
-10	0701074-1	PLATE ASSY-ATTACH					FWD	1		
-11	0701074-10	PLATE ASSY-ATTACH					AFT	1		
		ATTACHING PARTS -----								
-12	AN3-3A	BOLT -----							4	
-13	AN960-10L	WASHER -----							4	
		*-----								
	NAS696A3	NUTPLATE -----							1	
	NAS697A3	NUTPLATE -----							3	
-14	S2195-2	TRIM-4.00 IN LG BKI REF S2195-1-4.00 -----							2	
-15	0701072-1	BULKHEAD ASSY -----							1	
-16	0711684-3	STIFFENER-CENTER -----							1	
	0711678-5	STIFFENER-INBD LH -----							1	
	0711678-6	STIFFENER-INBD RH -----							1	
-17	0701076-3	DOUBLER -----							3	
-18	0711677-3	STIFFENER-LH -----							1	B
	0711677-7	STIFFENER-LH -----							1	C
-19	0701076-1	DOUBLER-LH -----							1	
-20	0711677-4	STIFFENER-RH -----							1	B
	0711677-8	STIFFENER-RH -----							1	C
-21	0701076-2	DOUBLER-RH -----							1	
-22	0701079-1	COVER ASSY-INERTIA REEL -----							1	D
		ATTACHING PARTS -----								
-23	S1021Z4-6	SCREW -----							4	
		*-----								
-24	0715059-1	BAFFLE-INERTIA REEL -----							1	
-25	0714051-9	COVER-INERTIA REEL ACCESS -----							1	E
		ATTACHING PARTS -----								
-26	S1021Z8-10	SCREW -----							19	E
	NAS395-18-3	NUTPLATE -----							19	E
		*-----								
		A---182 SERIAL 18263476 THRU 18268293 F182 SERIAL F18200001 THRU F18200169 T182 SERIAL 18267716 THRU 18268293 B---182 SERIAL 18263476 THRU 18265965 F182 SERIAL F18200001 THRU F18200064 C---182 SERIAL 18265966 THRU 18268293 F182 SERIAL F18200065 THRU F18200169 T182 SERIAL 18267716 THRU 18268293 D---182 SERIAL 18263476 THRU 18266590 F182 SERIAL F18200001 THRU F18200094 E---182 SERIAL 18266591 THRU 18268293 F182 SERIAL F18200095 THRU F18200169 T182 SERIAL 18267716 THRU 18268293								

# 182 & T182 Parts Catalog

## Inertia Reel (Cont)



**182 & T182 SERIAL 18268294 & ON**

Figure 118A. Inertia Reel Installation

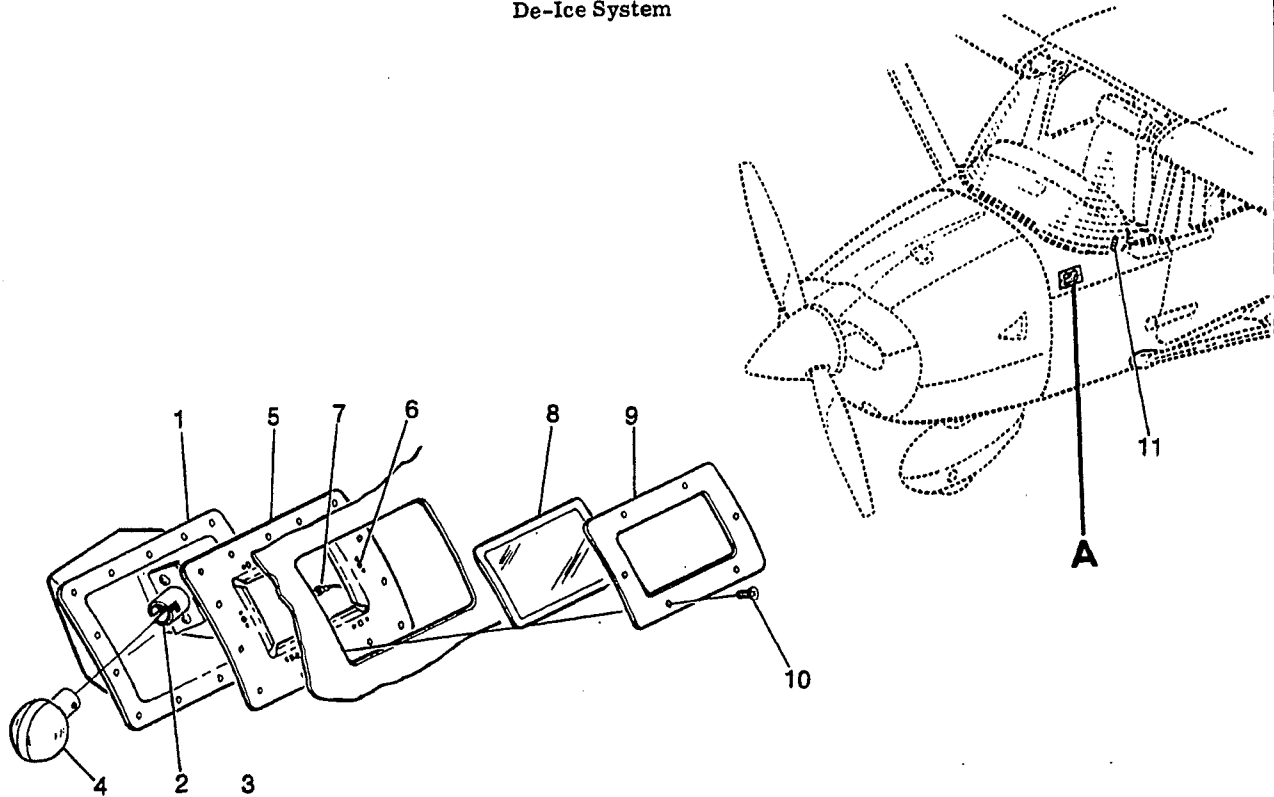


# 182 & T182 Parts Catalog

FIGURE AND INDEX NO.	PART NUMBER	DESCRIPTION							UNITS PER ASSY	USABLE ON CODE
		1	2	3	4	5	6	7		
118A-		INERTIA REEL INSTALLATION -----							NP	A
- 1	S2199-3	BELT ASSY-LH BLACK ONLY -----							1	
- 2	S2199-4	BELT ASSY-RH BLACK ONLY -----							1	
- 3	AN4H-5A	ATTACHING PARTS -----							2	
- 4	AN960-416	BOLT -----							2	
	NAS1067A-4	WASHER -----							2	
	0701139-2	* NUTPLATE -----							1	
- 5	0701139-2	SUPPORT-INERTIA REEL -----							1	
- 6	SEE FIG 43	SPAR ASSY-CARRY THRU REAR -----							1	
- 7	0715092-1	COVER-INERTIA REEL & DOME LIGHT -----							1	
		A---182 & T182 SERIAL 18268294 & ON								

# 182 & T182 Parts Catalog

De-Ice System

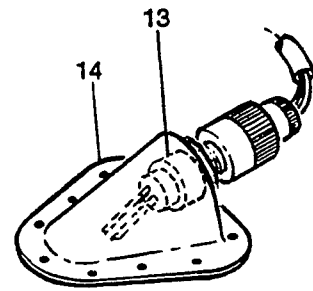
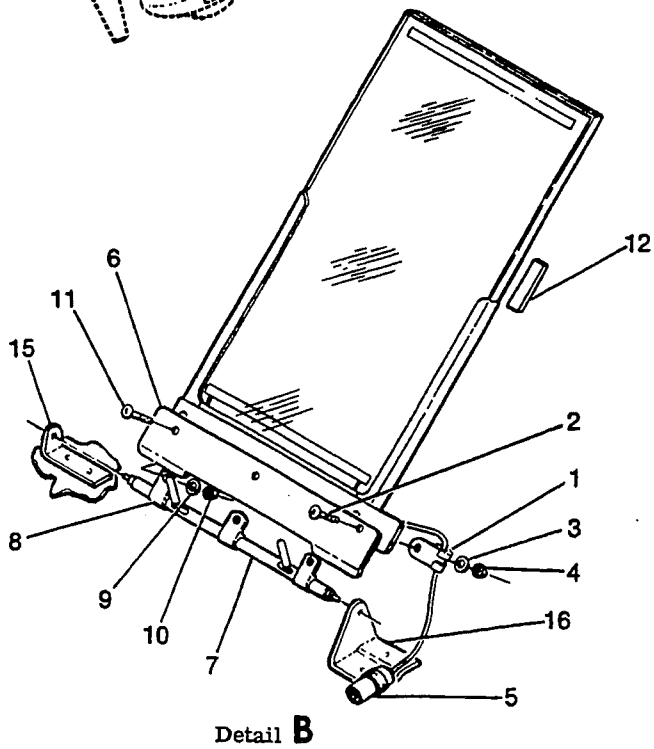
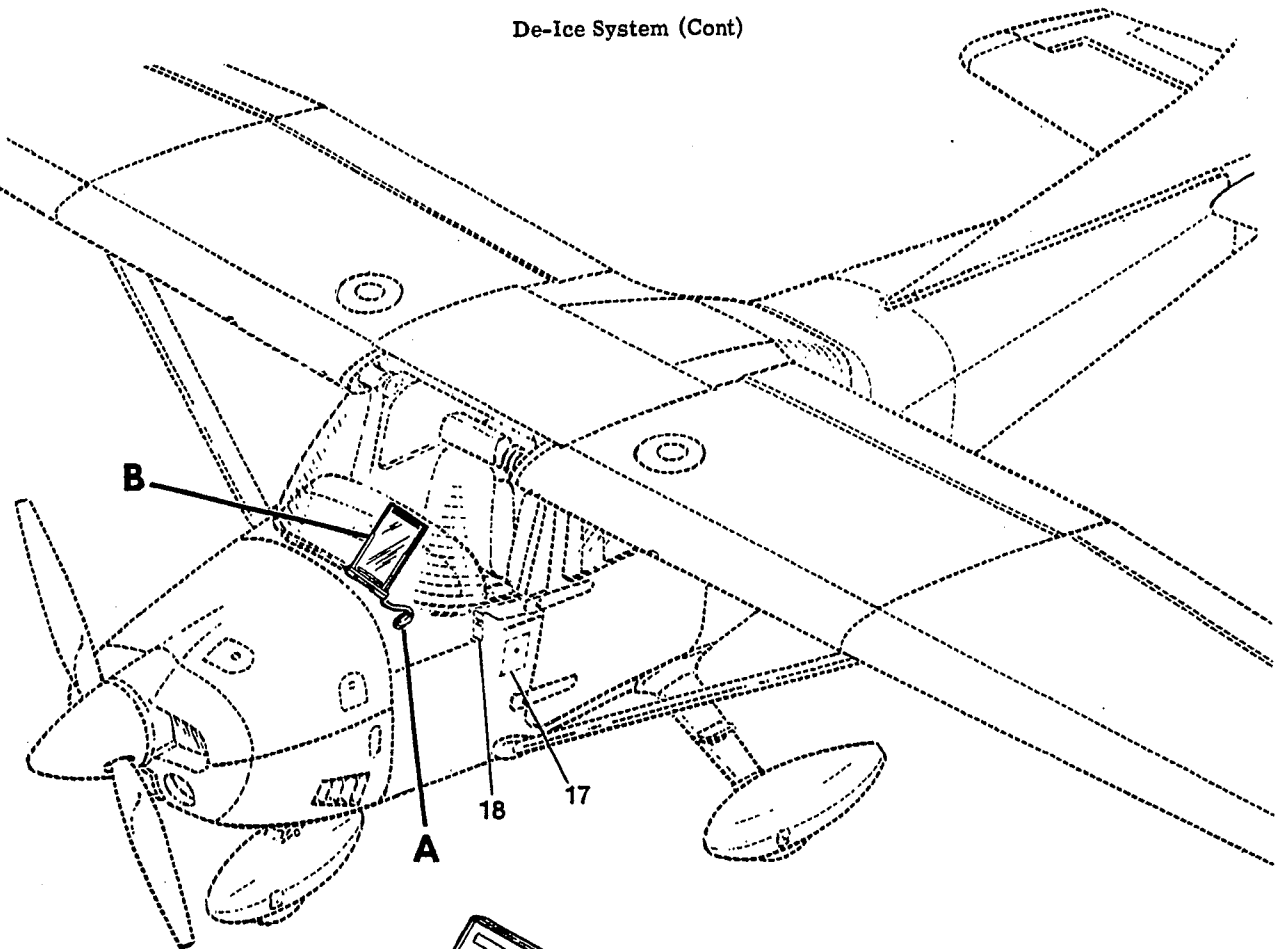


**T182 SERIAL 18268294 & ON**  
Figure 119. Ice Detector Light Installation

FIGURE AND INDEX NO.	PART NUMBER	DESCRIPTION							UNITS PER ASSY	USABLE ON CODE
		1	2	3	4	5	6	7		
119 -	2201064-2	ICE DETECTOR LIGHT INSTALLATION -----							1	A
- 1	1201114-3	BRACKET ASSY -----							1	
- 2	S1927-3	SOCKET-LAMP -----							1	
		ATTACHING PARTS -----								
- 3	AN515-6R6	SCREW -----							2	
	AN960-6L	WASHER -----							2	
	MS21044N06	NUT -----							2	
		*-----								
- 4	MS25338-7079	LAMP-ICE DETECTION -----							1	
- 5	1201111-1	DOUBLER ASSY-LENS -----							1	
- 6	NAS680A06	NUTPLATE -----							1	
- 7	S1367-1-4	TERMINAL -----							1	
	AN960-3	WASHER -----							1	
- 8	1201113-1	LENS-ICE DETECTOR LIGHT -----							1	
- 9	1201112-1	COVER ASSY-ICE DETECTOR LIGHT -----							1	
		ATTACHING PARTS -----								
-10	AN507-632R7	SCREW -----							6	
		*-----								
-11	SEE FIG 102A	LIGHT SWITCH -----							1	
		A---T182 SERIAL 18268294 & ON								

# 182 & T182 Parts Catalog

De-Ice System (Cont)



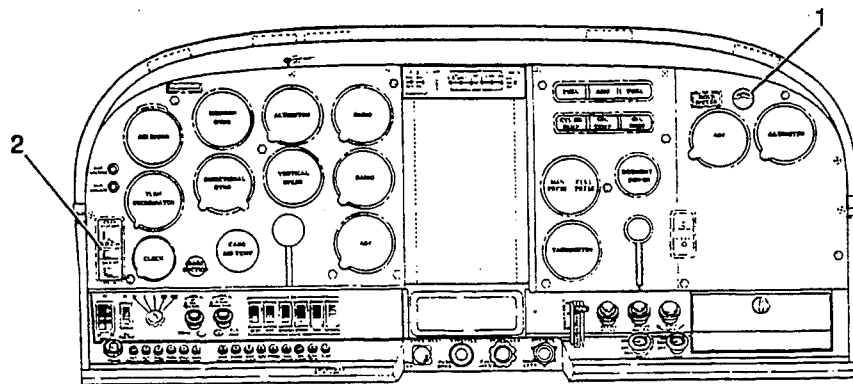
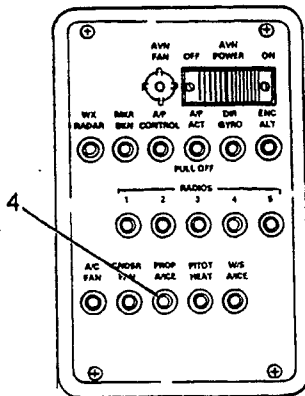
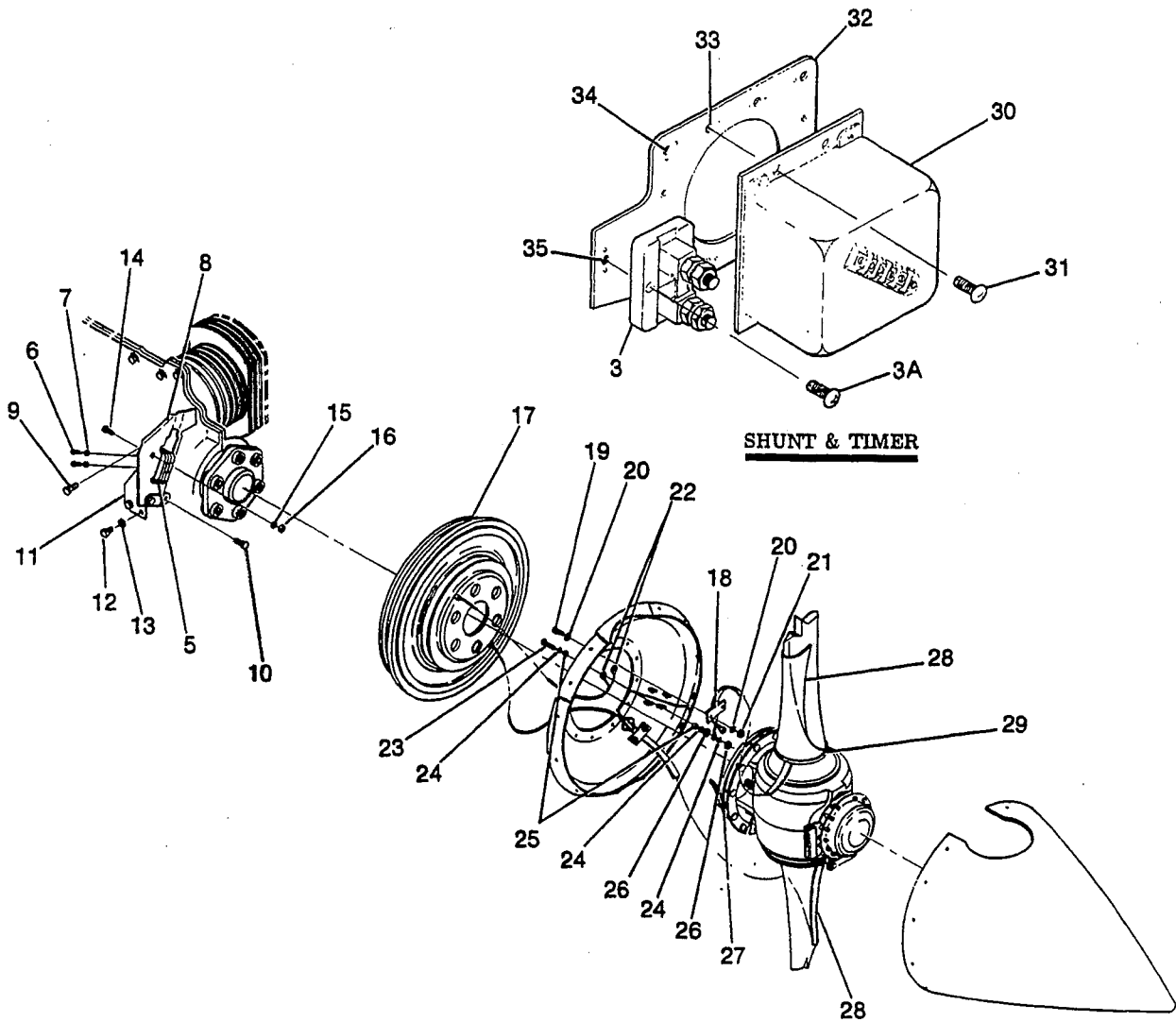
**T182 SERIAL 18268294 & ON**  
Figure 119A. Windshield Anti-Ice Installation

# 182 & T182 Parts Catalog

FIGURE AND INDEX NO.	PART NUMBER	DESCRIPTION							UNITS PER ASSY	USABLE ON CODE
		1	2	3	4	5	6	7		
119A-		WINDSHIELD ANTI-ICE INSTALLATION -----							NP	A
- 1	1513460-6 MS21919DG2	ANTI-ICE ASSY-WINDSHIELD -----							1	
		CLAMP -----							1	
		ATTACHING PARTS -----								
- 2	AN515-6R6	SCREW -----							1	
- 3	AN960-6	WASHER -----							1	
- 4	MS21044N06	NUT -----							1	
		*-----								
- 5	KPT06E82P	PLUG CED 7.00 IN LG -----							1	
- 6	1513477-5	STOP ASSY -----							1	
	1513477-3	BUMPER-STOP ASSY -----							2	
- 7	1513463-1	RELEASE ASSY -----							1	
		ATTACHING PARTS -----								
- 8	AN742D5	CLAMP -----							3	
- 9	AN960-6	WASHER -----							3	
-10	MS21044N06	NUT -----							3	
-11	AN515-6R6	SCREW -----							3	
		*-----								
-12	1513478-1	BUMPER-WINDSHIELD ANTI-ICE -----							2	
-13	MS3114E8-2S	RECEPTACLE -----							1	
-14	2101012-1	COVER-ANTI-ICE PLUG -----							1	
-15	2201056-4	BRACKET-INBD -----							1	
-16	2201072-1	BRACKET-OUTBD -----							1	
-17	SEE FIG 102A	CIRCUIT BREAKER -----							1	
-18	SEE FIG 102A	SWITCH-ANTI-ICE -----							1	
A---T182 SERIAL 18268294 & ON										

# 182 & T182 Parts Catalog

## De-Ice System (Cont)



**T182 SERIAL 18268294 & ON**  
 Figure 119B. Propeller Anti-Ice Installation

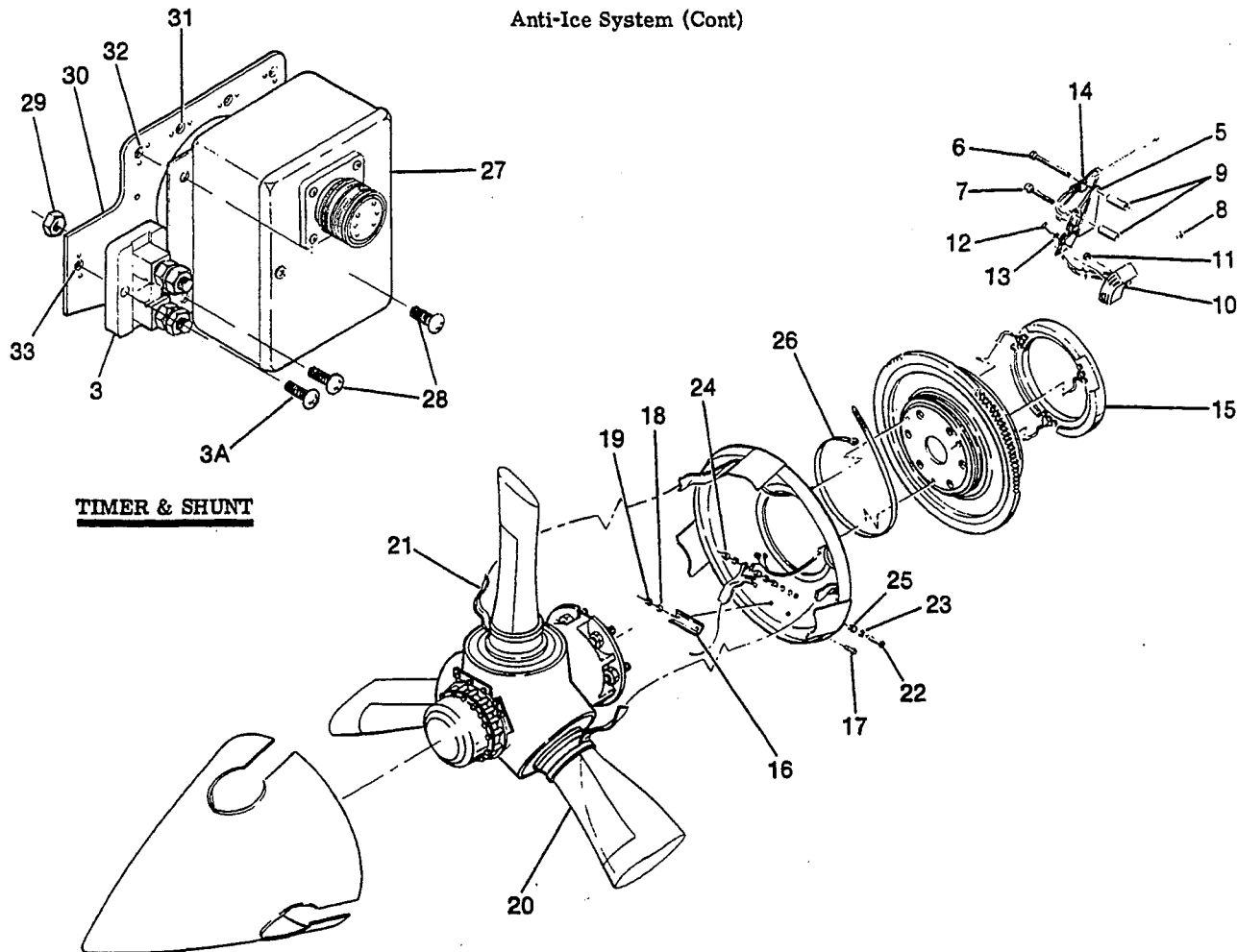
# 182 & T182 Parts Catalog

FIGURE AND INDEX NO.	PART NUMBER	DESCRIPTION	UNITS PER ASSY	USABLE ON CODE
119B-		PROPELLER ANTI-ICE INSTALLATION -----	NP	A
- 1	C662503-0108	GAUGE-PROP ANTI-ICE -----	1	
- 2	S2160-3	SWITCH-PROP ANTI-ICE -----	1	
	2270045-1	SHUNT ASSY-ELECTRICAL -----	1	
- 3	22-370-20	SHUNT EDDA -----	1	
		ATTACHING PARTS		
- 3A	AN515-8R14	SCREW -----	2	
		-----*		
	MS25171-1S	NIPPLE -----	2	
- 4	S1360-15L	CIRCUIT BREAKER-PROP ANTI-ICE 15 AMP -----	1	
- 5	3E2071	MODULAR BRUSH ASSY GD -----	1	
		ATTACHING PARTS		
- 6	AN500AD6-4	SCREW -----	2	
- 7	AN960C8	WASHER -----	2	
		-----*		
- 8	4E1594	MOUNTING BRACKET ASSY GD -----	1	
		ATTACHING PARTS		
- 9	MS20074-04-13	BOLT -----	1	
	AN960C416	WASHER -----	AR	
-10	MS20074-05-12	BOLT -----	1	
	NAS42DD10-22	SPACER -----	1	
		-----*		
-11	3E1584	SUPPORT BRACKET GD -----	1	
		ATTACHING PARTS		
-12	MS20074-06-05	BOLT -----	1	
-13	MS35333-42	WASHER -----	1	
-14	MS51957-45	SCREW -----	1	
-15	AN960C8	WASHER -----	1	
-16	MS21045-08	NUT -----	1	
		-----*		
-17	5E1857-1	STARTER RING GEAR ASSY GD -----	1	
-18	3E1271-2	LEAD CLIP GD -----	2	
		ATTACHING PARTS		
-19	MS51957-30	SCREW -----	2	
-20	AN960C6	WASHER -----	4	
-21	MS21045-06	NUT -----	2	
		-----*		
-22	32442	TERMINAL -----	8	
-23	6-32X.875	SCREW-BRASS -----	4	
-24	MS35333-37	WASHER -----	12	
-25	2E1260	BUSHING GD -----	8	
-26	MS35649-265	NUT -----	8	
-27	MS3367-6-9	TIE STRAP -----	1	
-28	4E2200-3	DE-ICER BOOT-PROP GD -----	2	
-29	2E1291	RESTRAINER STRAP GD -----	2	
-30	3E1899-1	TIMER-PROP DE-ICE GD -----	1	
		ATTACHING PARTS		
-31	AN520-10R8	SCREW -----	4	
		-----*		
-32	2201092-2	ADAPTER ASSY-PLATE -----	1	
-33	NAS680A3	NUTPLATE -----	4	
-34	NAS684A3	NUTPLATE -----	2	
-35	NAS680A08	NUTPLATE -----	2	

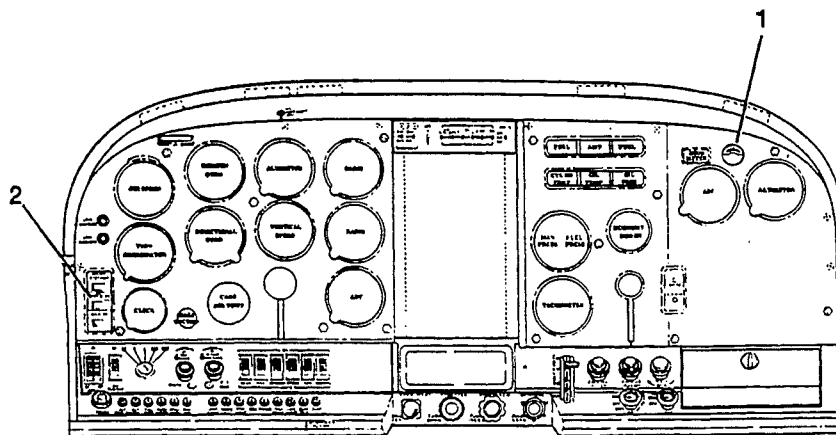
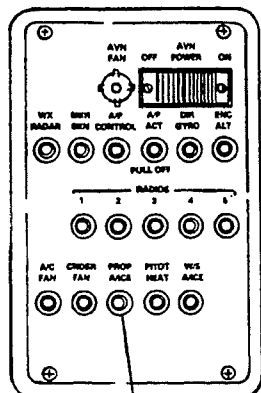
A---T182 SERIAL 18268294 & ON

# 182 & T182 Parts Catalog

## Anti-Ice System (Cont)



**TIMER & SHUNT**



**T182 SERIAL 18268294 & ON**

Figure 119C. Propeller Anti-Ice Installation - 3 Bladed

# 182 & T182 Parts Catalog

FIGURE AND INDEX NO.	PART NUMBER		DESCRIPTION							UNITS PER ASSY	USABLE ON CODE
			1	2	3	4	5	6	7		
119C-			PROPELLER ANTI-ICE INSTALLATION 3 BLADED -----							NP	A
- 1	C662503-0107		GAGE-PROP ANTI-ICE AMMETER SEE INSTRUMENT PANEL -----							1	
- 2	S2160-3		SWITCH-PROP ANTI-ICE SEE INSTRUMENT PANEL -----							1	
	2270045-1		SHUNT ASSY-ELECTRICAL -----							1	
- 3	22-370-20		SHUNT EDDA -----							1	
			ATTACHING PARTS								
- 3A	AN515-8R10		SCREW -----							2	
			-----*								
	MS25171-1S		NIPPLE -----							2	
- 4	S1360-20L		CIRCUIT BREAKER-PROP ANTI-ICE 20 AMP -----							1	
- 5	C40136	*	BRACKET ASSY-BRUSH BLOCK MOUNTING MCL -----							1	
			ATTACHING PARTS								
- 6	A2513-86	*	BOLT MCL -----							1	
- 7	A2513-85	*	BOLT MCL -----							1	
- 8	A1638-4	*	WASHER MCL -----							2	
- 9	A40137	*	SPACER MCL -----							2	
			-----*								
-10	C40179		BRUSH BLOCK ASSY MCL -----							1	
			ATTACHING PARTS								
-11	B40024-6	*	SPACER MCL -----							4	
-12	S1635-100	*	SCREW MCL -----							2	
-13	A1638-21	*	WASHER MCL -----							2	
			-----*								
-14	S2300-14		BRACKET -----							3	
	MS21919DG2		CLIP -----							3	
	AN520-10R6		SCREW -----							3	
	AN960PD10		WASHER -----							3	
	MS21045L3		NUT -----							3	
-15	D40158	*	SLIP RING & STARTER SUPPORT ASSY MCL -----							1	
-16	1201074-1		LEAD CLIP -----							3	
			ATTACHING PARTS								
-17	AN500D6-8		SCREW -----							3	
-18	AN960C6		WASHER -----							3	
-19	MS21045L06		NUT -----							3	
			-----*								
-20	C165013-0705		ANTI-ICE BOOT-PROP -----							3	
-21	C165013-0703		RETAINER-STRAP-DE-ICE BOOT -----							3	
			ATTACHING PARTS								
-22	AN515UB6R12		SCREW -----							3	
-23	MS35333-37		WASHER -----							9	
-24	MS35649-265		NUT -----							6	
-25	S1527-1		WASHER -----							6	
			-----*								
-26	MS3367-6-3	*	TIE STRAP -----							1	
-27	C165020-0101		TIMER-ANTI-ICE -----							1	
			ATTACHING PARTS								
-28	AN520-10R8		SCREW -----							4	
-29	MS21044N3		NUT -----							2	
			-----*								
-30	2201092-2		ADAPTER ASSY-PLATE -----							1	
-31	NAS680A3		NUTPLATE -----							4	
-32	NAS684A3		NUTPLATE -----							2	
-33	NAS680A08		NUTPLATE -----							2	

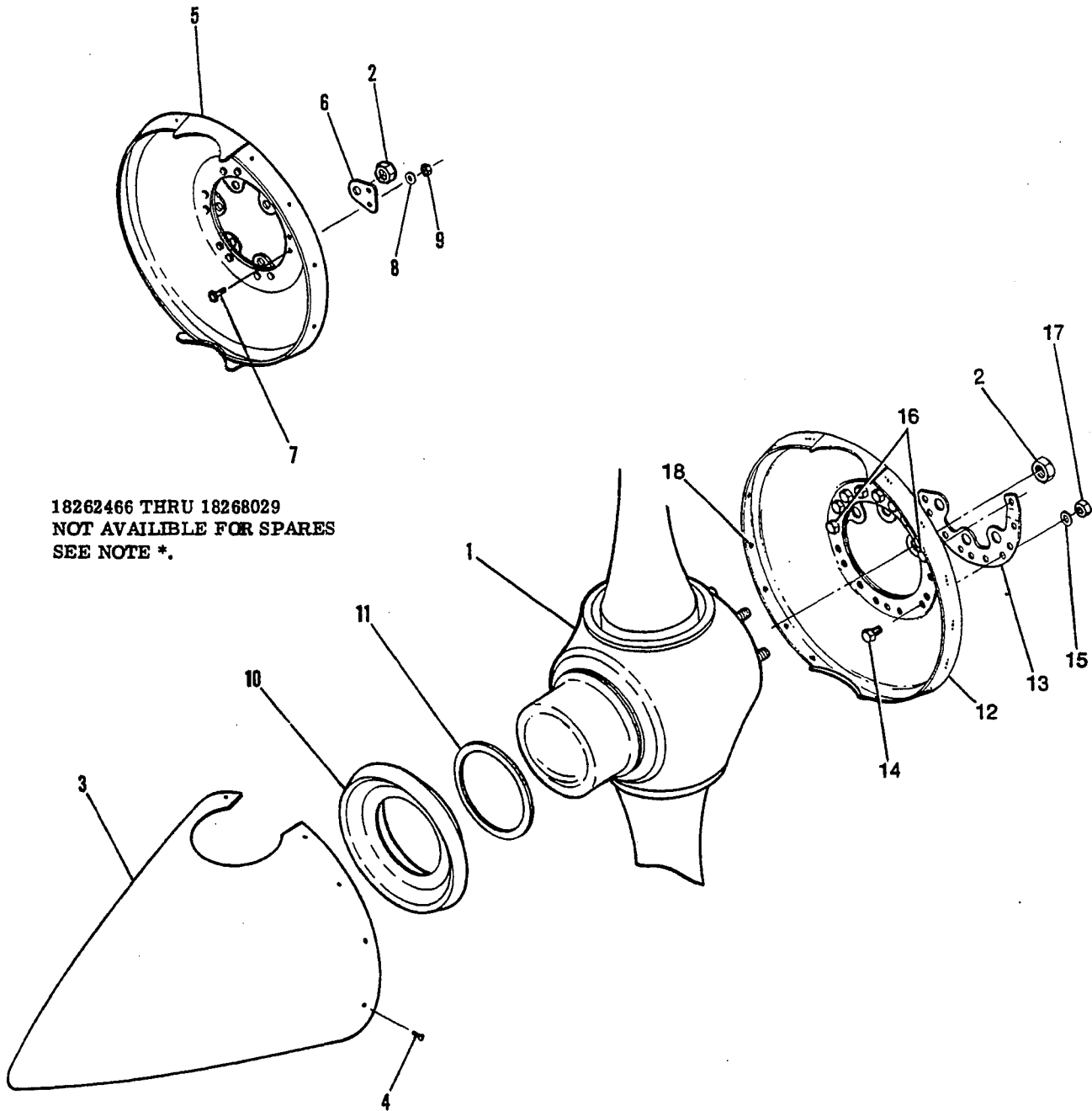
NOTE. \*THESE PARTS INCLUDED IN MCCAULEY KIT,  
PART NUMBER PL40182.

A---T182 SERIAL 18268294 & ON



# 182 & T182 Parts Catalog

## Propeller (Cont)



18262466 THRU 18268029  
NOT AVAILABLE FOR SPARES  
SEE NOTE \*.

**182 SERIAL 18262466 & ON  
F182 SERIAL F1820001 THRU F18200169**

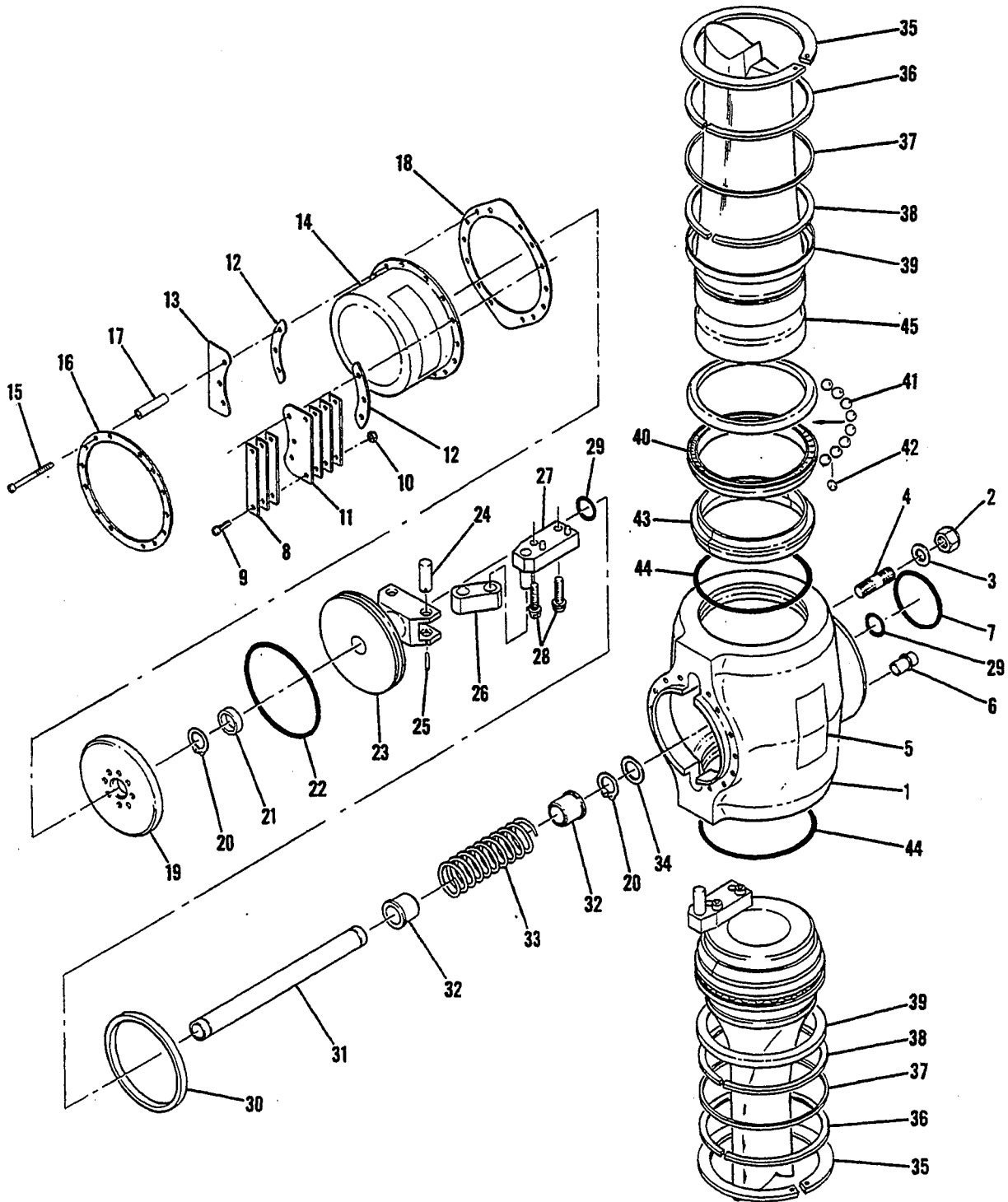
Figure 120. Propeller Installation

# 182 & T182 Parts Catalog

FIGURE AND INDEX NO.	PART NUMBER	DESCRIPTION							UNITS PER ASSY	USABLE ON CODE
		1	2	3	4	5	6	7		
120 -		PROPELLER INSTALLATION -----							NP	A
- 1	SEE FIG 121	PROPELLER ASSEMBLY -----							1	
		ATTACHING PARTS -----								
- 2	A1639-2	NUT MCL -----							6	
		-----*								
- 3	0752637K200	DOME ASSEMBLY-SPINNER -----							1	
		ATTACHING PARTS -----								
- 4	NAS221-8	SCREW -----							14	
		-----*								
- 5		BULKHEAD ASSEMBLY FSD 0752637-17 SEE NOTE. * -----							NP	B
		ATTACHING PARTS -----								
- 6	0752005-4	LUG -----							6	
- 7	AN3-5A	BOLT -----							12	B
- 8	AN960-10	WASHER -----							12	B
- 9	MS21045L3	NUT -----							12	B
		-----*								
-10	1250412-3	SUPPORT-SPINNER -----							1	
-11	0752620-3	SPACER-SPINNER SUPPORT 14 MAX -----							AR	
-12	0752637-17	BULKHEAD ASSY -----							1	C
		ATTACHING PARTS -----								
-13	0550341-1	RING HALF-SPINNER MOUNT -----							2	C
-14	AN3-5A	BOLT -----							16	C
-15	AN960-10	WASHER -----							18	C
-16	AN3-6A	BOLT -----							2	C
-17	MS21045L3	NUT -----							18	C
		-----*								
-18	NAS680A3	NUTPLATE -----							14	C
<p>NOTE. *WHEN INITIALLY ORDERING THIS PART FOR AIRCRAFT PRIOR TO SERIAL 18268030 ALSO ORDER            (2) 0550341-1 RING HALF, (4) AN3-5A BOLT,            (2) AN3-6A BOLT, (6) AN960-10 WASHER            &amp; (6) MS21045L3 NUT.</p> <p>A---182 SERIAL 18262466 &amp; ON            F182 SERIAL F18200001 THRU F18200169            B---182 SERIAL 18262466 THRU 18268029            F182 SERIAL F18200001 THRU F18200169            C---182 SERIAL 18268030 &amp; ON</p>										

# 182 & T182 Parts Catalog

## Propeller (Cont)



**182 SERIAL 18262466 & ON**  
**F182 SERIAL F1820001 THRU F18200169**

Figure 121. Propeller Assembly

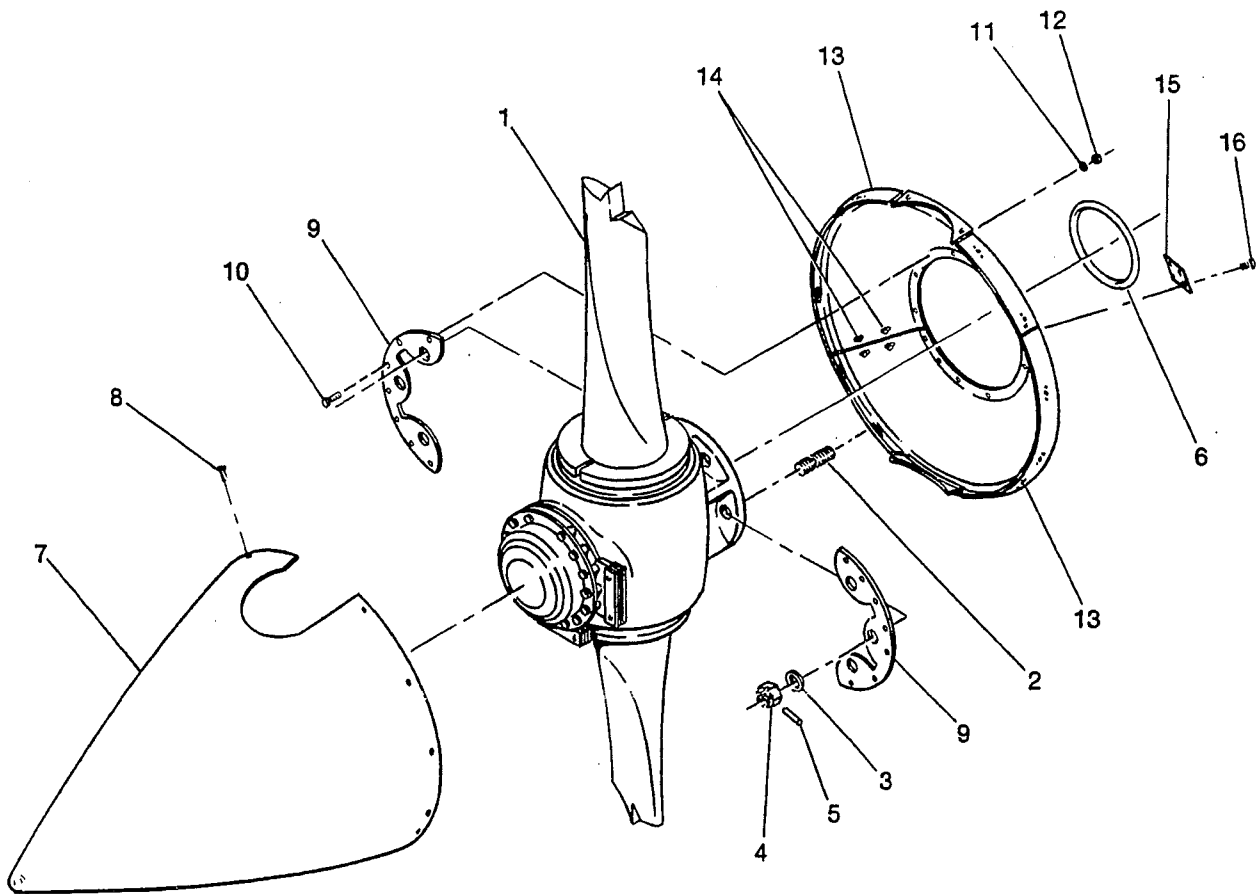
# 182 & T182 Parts Catalog

FIGURE AND INDEX NO.	PART NUMBER	DESCRIPTION							UNITS PER ASSY	USABLE ON CODE
		1	2	3	4	5	6	7		
121 -	P2033909-11	PROPELLER ASSY-MCCAULEY MODEL 2A34C203/90DCA-8 -----							1	A
	P2043909-22	82 IN DIA REF C161009-0104								
		PROPELLER ASSY-MCCAULEY MODEL C2A34C204/90DCB -----							1	B
		82 IN DIA REF C161009-0106								
- 1	C3910/C203	HUB ASSY MCL -----							NP	
		ATTACHING PARTS								
- 2	A1639-2	NUT-HUB MOUNTING MCL -----							6	
- 3	A1638-2	WASHER MCL -----							6	
		-----*								
- 4	B3921	STUD MCL -----							6	
- 5	A2230	PLACARD MCL -----							1	
- 6	A4001	DOWEL-HUB ALIGNMENT MCL -----							2	
- 7	A1633-3	O-RING MCL -----							1	
- 8	A3906	WEIGHT-BALANCE MCL -----							AR	
- 9	A1635-36	SCREW ATTACH ONE WEIGHT MCL -----							2	
	A1635-37	SCREW ATTACH TWO WEIGHTS MCL -----							2	
	A1635-40	SCREW ATTACH THREE WEIGHTS MCL -----							2	
	A1635-67	SCREW ATTACH FOUR WEIGHTS MCL -----							2	
	A1635-56	SCREW ATTACH FIVE WEIGHTS MCL -----							2	
	A1635-68	SCREW ATTACH SIX WEIGHTS MCL -----							2	
-10	A1639-23	NUT MCL -----							2	
-11	B3908	BRACKET-BALANCE WEIGHT MCL -----							AR	
-12	B4016	GASKET-BRACKET MCL -----							AR	
-13	B4026	WEIGHT-BALANCE 2 MAX MCL -----							AR	
-14	C4129	CYLINDER MCL -----							1	
		ATTACHING PARTS								
-15	A1635-70	SCREW MCL -----							14	
-16	B4342	RING-CYLINDER MCL -----							1	
-17	B4354	TUBE-CYLINDER MOUNT LONG MCL -----							AR	
	B4354-1	TUBE-CYLINDER MOUNT SHORT MCL -----							AR	
-18	B4138	GASKET-CYLINDER MCL -----							1	
		-----*								
-19	B3526	SUPPORT-SPACER MCL -----							1	
-20	A1636-7	RING-RETAINING MCL -----							2	
-21	A2108	SPACER-LOW PITCH STOP MCL -----							1	
-22	A1633-12	O-RING MCL -----							1	
-23	C3418	PISTON-BLADE ACTUATING MCL -----							1	
-24	B3414	ROLL PIN MCL -----							2	
-25	A3150-5	ROLL PIN MCL -----							2	
-26	A3902	LINK-BLADE ACTUATOR MCL -----							2	
-27	B3905	ACTUATING PIN & BASE ASSY MCL -----							2	
-28	A1635-66	CAP SCREW MCL -----							2	
-29	A1633-9	O-RING MCL -----							2	
-30	A1937	SPACER-HIGH PITCH STOP MCL -----							1	
-31	B2345	TUBE-PISTON ROD MCL -----							1	
-32	A3124	GUIDE-SPRING MCL -----							2	
-33	A3125	SPRING-PITCH RETURN MCL -----							1	
-34	A2351	WASHER-FIBER MCL -----							1	
-35	B4426	RING-RETAINING MCL -----							2	
-36	A4427	RING-WIRE MCL -----							2	
-37	B4407	SHIM-.032 MCL -----							AR	
	B4407-1	SHIM-.065 MCL -----							AR	
	B4407-2	SHIM-.051 MCL -----							AR	
-38	B4277-3	SHIM-ANTI BLADE SHAKE .003 IN. MCL -----							AR	
	B4277-4	SHIM-ANTI BLADE SHAKE .004 IN. MCL -----							AR	
	B4277-5	SHIM-ANTI BLADE SHAKE .005 IN. MCL -----							AR	
	B4277-6	SHIM-ANTI BLADE SHAKE .006 IN. MCL -----							AR	
	B4277-7	SHIM-ANTI BLADE SHAKE .007 IN. MCL -----							AR	
	B4277-8	SHIM-ANTI BLADE SHAKE .008 IN. MCL -----							AR	
	B4277-10	SHIM-ANTI BLADE SHAKE .010 IN. MCL -----							AR	
	B4277-12	SHIM-ANTI BLADE SHAKE .012 IN. MCL -----							AR	
	B4277-14	SHIM-ANTI BLADE SHAKE .014 IN. MCL -----							AR	
	B4277-16	SHIM-ANTI BLADE SHAKE .016 IN. MCL -----							AR	
	B4277-18	SHIM-ANTI BLADE SHAKE .018 IN. MCL -----							AR	
	B4277-20	SHIM-ANTI BLADE SHAKE .020 IN. MCL -----							AR	
-39	B4408	CARRIER-SHIM MCL -----							2	
-40	C3411	BEARING RACE MATCHED SET MCL -----							2	
-41	A1634-6	BALL BEARING MCL -----							80	
-42	B4014	BALL SEPERATOR MCL -----							80	
-43	C3903	RETAINER-SPLIT MATCHED SET MCL -----							1	
-44	A1633-37	O-RING MCL -----							2	
-45	90DCA-8	BLADE -----							2	

A---182 SERIAL 18262466 THRU 18265175  
 F182 SERIAL F18200001 THRU F18200025  
 B---182 SERIAL 18265176 & ON  
 F182 SERIAL F18200026 THRU F18200169

# 182 & T182 Parts Catalog

Propeller (Cont)



**T182 SERIAL 18267716 & ON**

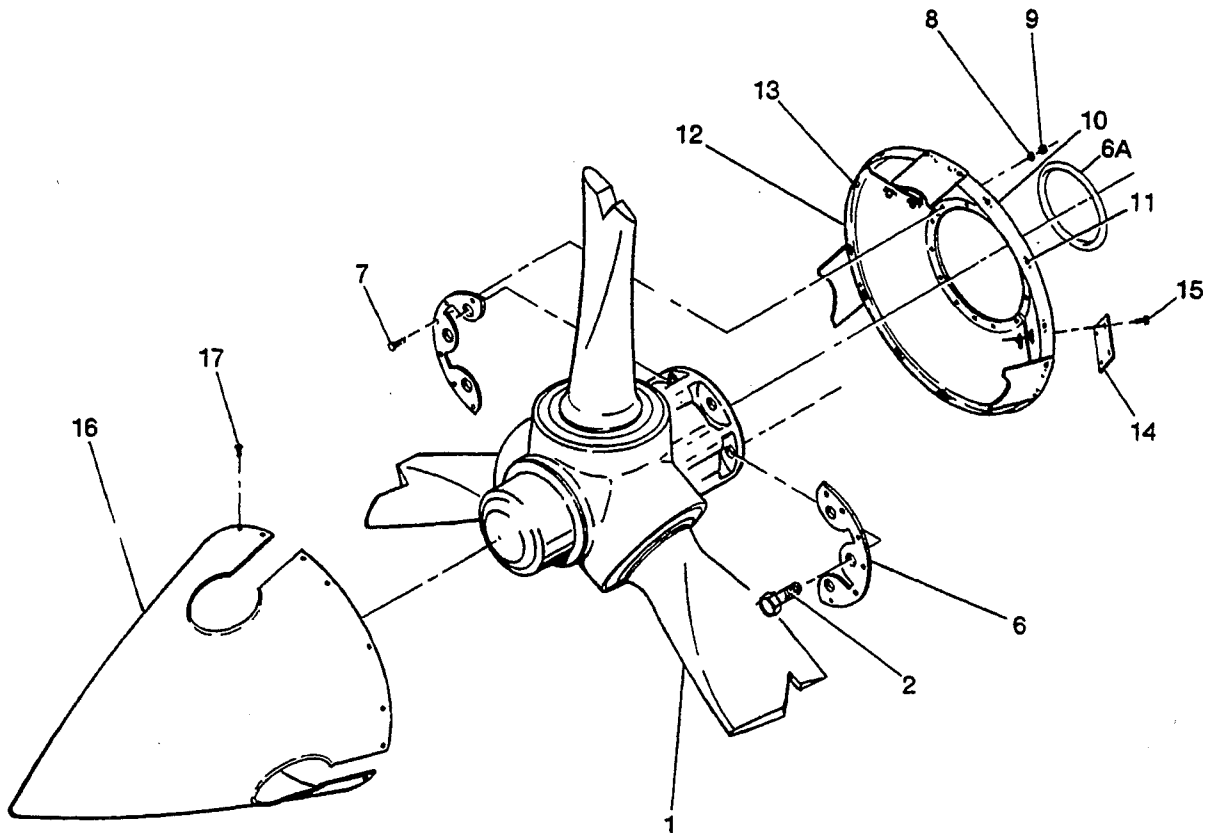
Figure 121A. Propeller & Spinner Installation

# 182 & T182 Parts Catalog

FIGURE AND INDEX NO.	PART NUMBER		DESCRIPTION							UNITS PER ASSY	USABLE ON CODE
			1	2	3	4	5	6	7		
121A-			PROPELLER & SPINNER INSTALLATION T182 -----							NP	A
- 1	P2195054-01	*	PROPELLER ASSY-MCCAULEY B2D34C219/90DHB-8 ----- 82 IN DIA REF C161008-0110							1	
			ATTACHING PARTS								
- 2	B3121	**	STUD MCL -----							6	
- 3	A1638-10	**	WASHER MCL -----							6	
- 4	A1639-9	**	NUT MCL -----							6	
- 5	A3150-1	**	ROLL PIN MCL -----							6	
- 6	A1633-11	**	O-RING MCL -----							1	
			*-----								
- 7	2250123-1		DOME ASSY-SPINNER WEU 2250123-3 -----							1	C
	2250123-3		DOME ASSY-SPINNER -----							1	D
			ATTACHING PARTS								
- 8	NAS221-8		SCREW -----							12	
	S1164-1		WASHER -----							12	B
			*-----								
	2250121-1		BULKHEAD ASSY-SPINNER -----							1	
			ATTACHING PARTS								
- 9	C5046		ATTACH PLATE -----							2	
-10	AN3-3A		BOLT -----							12	
-11	AN960-10L		WASHER -----							12	
-12	MS20365-1032C		NUT -----							12	
			*-----								
-13	2250121-5		BULKHEAD HALF ASSY -----							2	
-14	NAS679A3		NUTPLATE -----							10	
-15	2250121-4		CONNECTOR-BULKHEAD HALF -----							2	
			ATTACHING PARTS								
-16	NAS603-6		SCREW -----							4	
			*-----								
<p>NOTE. *FOR DETAILS OF THIS PROPELLER REFER TO APPLICABLE MCCAULEY MANUAL.</p> <p>NOTE. **THESE PARTS ARE SUPPLIED WITH PROPELLER</p> <p>A---T182 SERIAL 18267716 &amp; ON            B---T182 SERIAL 18267931 &amp; ON            C---T182 SERIAL 18267716 THRU 18268231            D---T182 SERIAL 18268232 &amp; ON</p>											

# 182 & T182 Parts Catalog

Propeller (Cont)



**T182 SERIAL 18267716 & ON**

Figure 122. Propeller & Spinner Installation

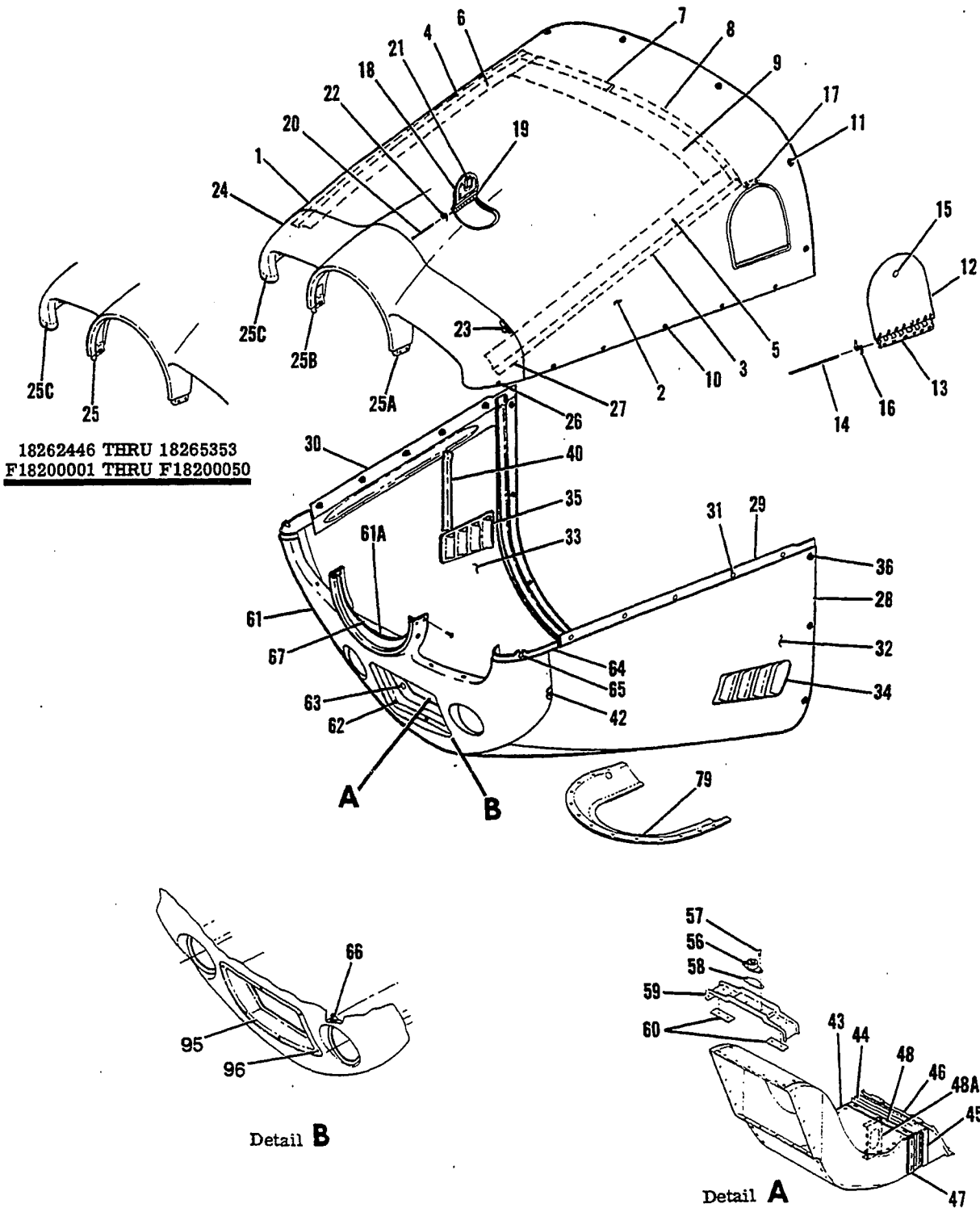
# 182 & T182 Parts Catalog

FIGURE AND INDEX NO.	PART NUMBER		DESCRIPTION							UNITS PER ASSY	USABLE ON CODE
			1	2	3	4	5	6	7		
122 -			PROPELLER & SPINNER INSTALLATION 3 BLADED -----							NP	A
- 1	P4075158-01	*	PROPELLER ASSY-MCCAULEY MODEL B3D32C407/82NDA-3 ----- 79.0 IN DIA REF C161007-0301 T182 ONLY							1	
- 2	A2513-89	**	ATTACHING PARTS							6	
- 3			BOLT MCL -----								
- 4			DELETED -----								
- 5			DELETED -----								
- 6	C-5046	**	ATTACH PLATE MCL -----							2	
- 6A	A1633-11	**	O-RING MCL -----							1	
	2252073-1		BULKHEAD ASSY-SPINNER -----							1	
			ATTACHING PARTS								
- 7	AN3-3A		BOLT -----							12	
- 8	AN960-10L		WASHER -----							12	
- 9	MS20365-1032C		NUT -----							12	
-10	2252073-2		BULKHEAD HALF ASSY -----							1	
-11	NAS697A3		NUTPLATE -----							12	
-12	2252073-3		BULKHEAD HALF ASSY -----							1	
-13	NAS697A3		NUTPLATE -----							11	
-14	2250121-4		CONNECTOR-BULKHEAD HALF -----							2	
			ATTACHING PARTS								
-15	NAS603-6		SCREW -----							4	
			*-----								
-16	2252074-1		SPINNER DOME ASSY WEU 2252074-3 -----							1	
	2252074-3		SPINNER DOME ASSY -----							1	
			ATTACHING PARTS								
-17	NAS221-8		SCREW -----							15	
			*-----								
<p>NOTE *FOR DETAILS OF THIS PROPELLER REFER TO APPLICABLE MCCAULEY MANUAL.</p> <p>NOTE. **THESE PARTS SUPPLIED WITH PROPELLER</p> <p>A---T182 SERIAL 18267716 &amp; ON            B---T182 SERIAL 18267716 THRU 18268231            C---T182 SERIAL 18268232 &amp; ON</p>											



# 182 & T182 Parts Catalog

Cowling (Cont)

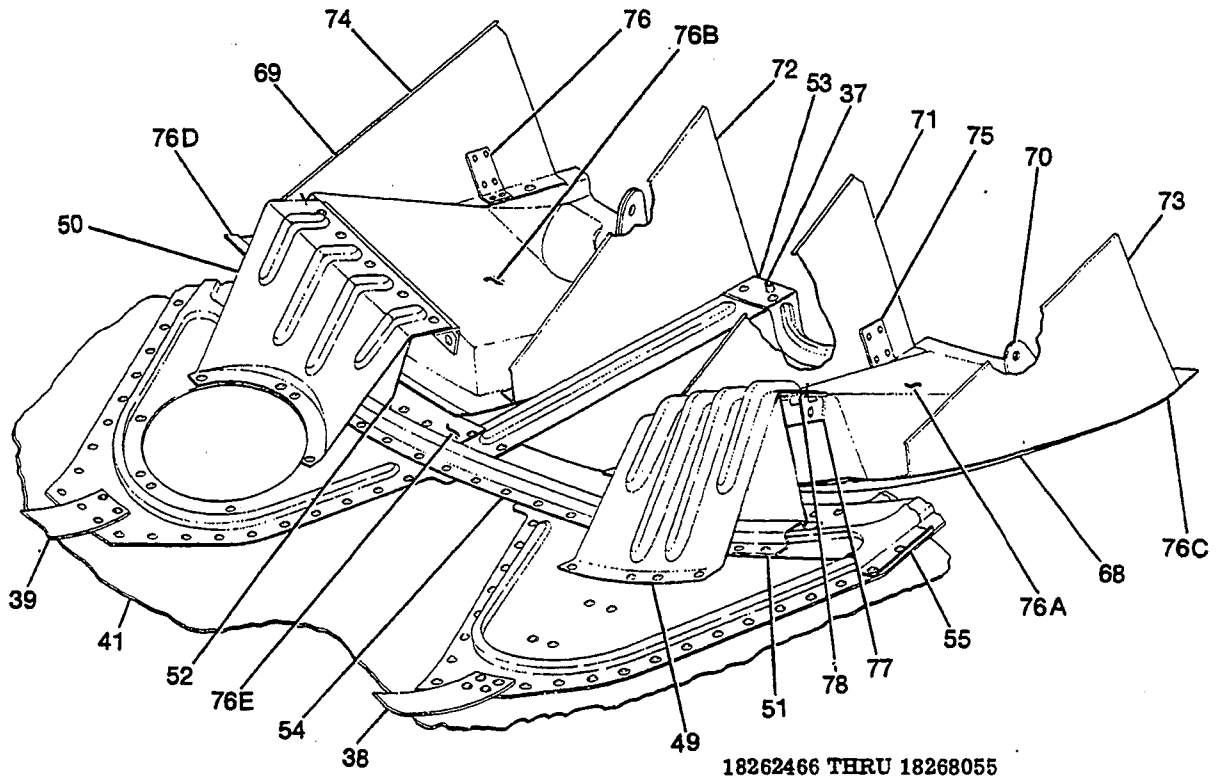


**182 SERIAL 18262466 & ON**  
**F182 SERIAL F18200001 THRU F18200169**

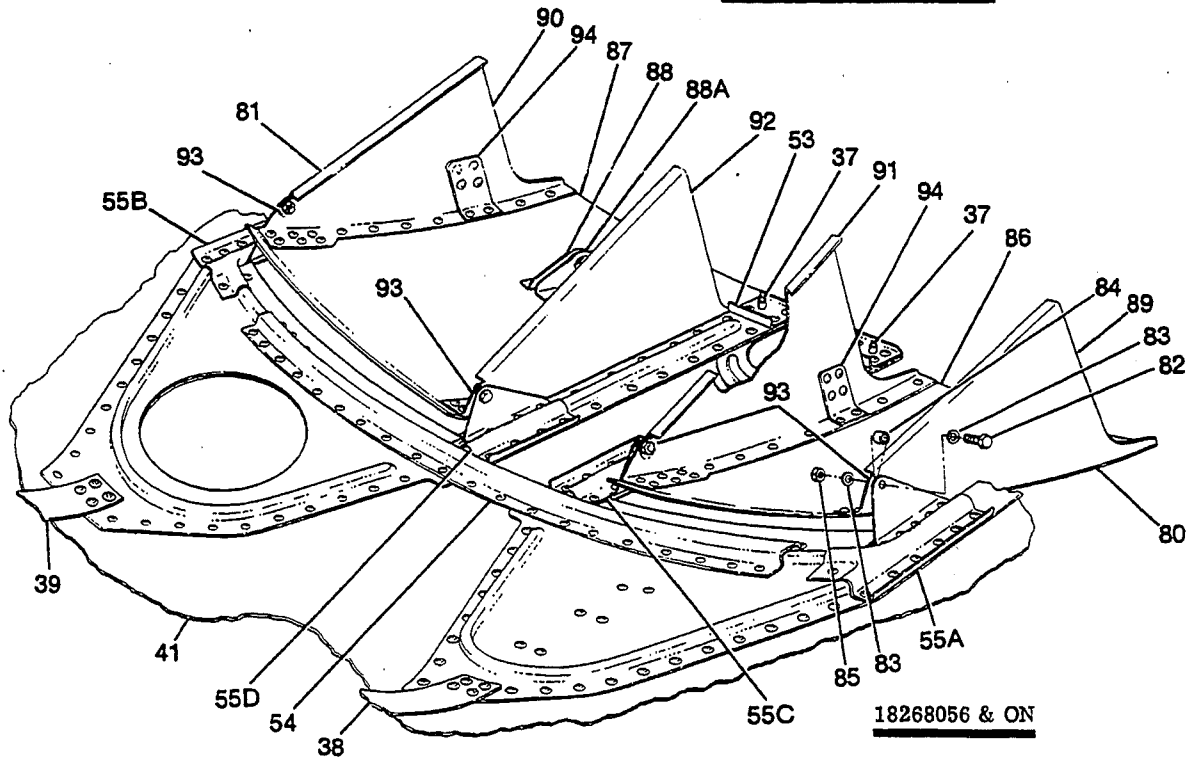
Figure 123. (Sheet 1 of 2) Engine Cowling Assembly

# 182 & T182 Parts Catalog

Cowling (Cont)



18262466 THRU 18268055



18268056 & ON

**182 SERIAL 18262466 & ON**  
**F182 SERIAL F1820001 THRU F18200169**

Figure 123. (Sheet 2 of 2) Engine Cowl Assembly

# 182 & T182 Parts Catalog

FIGURE AND INDEX NO.	PART NUMBER	DESCRIPTION							UNITS PER ASSY	USABLE ON CODE
		1	2	3	4	5	6	7		
123 -		COWL ASSY-ENGINE -----							NP	A
- 1	0752706-47	COWL ASSY-UPPER -----							1	B
	0752706-53	COWL ASSY-UPPER -----							1	L
	0752706-59	COWL ASSY-UPPER -----							1	M
- 2	0752706-49	SKIN ASSY-UPPER -----							1	
- 3	0752706-41	BAFFLE-LH -----							1	
- 4	0752706-42	BAFFLE-RH -----							1	
- 5	0752706-43	SEAL-LH -----							1	
- 6	0752706-44	SEAL-RH -----							1	
- 7	0752706-46	BAFFLE-RH AFT -----							1	
- 8	0752706-51	BAFFLE-LH AFT -----							1	
- 9	0752706-48	SEAL-AFT -----							1	
-10	S2319-4	STUD CLC -----							10	
	S2319-21	GROMMET CLC -----							10	
	CM2791-1	SNAP RING -----							10	
-11	27S3-2	STUD CLC -----							6	
	2600SW2	WASHER CLC -----							6	
-12	0552173-3	DOOR ASSY-ACCESS -----							1	
-13	1552004-22	HINGE HALF -----							1	
-14	1552004-17	PIN -----							1	
-15	KM610-064	LATCH-COWL DOOR -----							1	
-16	1552010-1	SPRING -----							1	
-17	1552004-25	STRIKER -----							2	
-18	0552173-4	DOOR ASSY-OIL ACCESS -----							1	
-19	1552004-22	HINGE HALF -----							1	
-20	1552004-17	PIN -----							1	
-21	KM610-64	LATCH-COWL DOOR -----							1	
-22	1552010-1	SPRING -----							1	
-23	S1550-1	WASHER -----							27	
-24	0752056-8	NOSE CAP ASSY-UPPER -----							1	
	0752056-20	NOSE CAP ASSY-UPPER FSO 0752056-20 -----							1	
	0752056-25	NOSE CAP ASSY-UPPER -----							1	
-25	0752057-1	NOSE CAP ASSY-UPPER -----							1	
	0752057-9	STIFFENER ASSY-UPPER -----							1	
	NAS696A3	STIFFENER ASSY-UPPER -----							1	
-25A	0752057-13	NUTPLATE -----							4	
	0752057-23	STIFFENER ASSY-UPPER LH -----							1	
-25B	0752057-12	STIFFENER ASSY-UPPER LH -----							1	
	0752057-22	STIFFENER ASSY-UPPER RH -----							1	
	MS21073L3	NUTPLATE -----							2	
	NAS696A3	NUTPLATE -----							1	
	NAS698A3	NUTPLATE -----							1	
-25C	0752059-14	REINFORCEMENT-RH -----							1	
	0752059-13	REINFORCEMENT-LH -----							1	
-26	40S5-4	STUD CLC -----							2	
	4002-H	GROMMET CLC -----							2	
	CM2791-1	SNAP RING -----							2	
-27	0752056-10	BAFFLE -----							1	
-28	0752706-200	COWL ASSY-LOWER LESS FLAPS -----							1	
	0752706-201	COWL ASSY-LOWER LESS FLAPS -----							1	
	0752706-202	COWL ASSY-LOWER LESS FLAPS -----							1	
-29	0752706-7	PARTING STRIP-LH -----							1	
-30	0752706-8	PARTING STRIP-RH -----							1	
-31	S2319-50	RECEPTACLE CLC -----							10	
-32	0752706-39	SKIN ASSY-LH -----							1	
	0752706-67	SKIN ASSY-LH -----							1	
-33	0752706-40	SKIN ASSY-RH -----							1	
	0752706-68	SKIN ASSY-RH -----							1	
-34	1213309-5	LOUVER-LH -----							1	
	1213309-9	LOUVER-LH -----							1	
-35	1213309-6	LOUVER-RH -----							1	
	1213309-10	LOUVER-RH -----							1	
-36	27S3-2	STUD CLC -----							6	
-37	27S3-3	STUD CLC -----							2	
	2600SW2	WASHER -----							8	
-38	0752700-9	DOUBLER-LH -----							1	
-39	0752700-8	DOUBLER-RH -----							1	
-40	0752700-16	REINFORCEMENT -----							1	
-41	0752706-38	SKIN ASSY -----							2	
-42	S1550-1	WASHER -----							36	

CONTINUED ON NEXT PAGE

## 182 & T182 Parts Catalog

FIGURE AND INDEX NO.	PART NUMBER	DESCRIPTION							UNITS PER ASSY	USABLE ON CODE
		1	2	3	4	5	6	7		
123 -43	0752602-13	DUCT ASSY-CARBURETOR AIR INTAKE -----							1	
-44	0752016-14	EXPANDER BOOT ASSY -----							1	
	0752016-7	BOOT EXPANDER -----							1	
	0752021-1	CLIP -----							2	
	0752016-10	SEAL TOP & BOTTOM -----							2	
	0752016-11	SEAL SIDE -----							2	
	0752047-1	STIFFENER -----							1	
	0752026-6	ADAPTER ASSY -----							1	
	0752048-1	DOUBLER -----							1	
-45	0752023-1	RETAINER SIDE -----							2	
-46	0752023-5	RETAINER TOP & BOTTOM -----							2	
-47	0752023-1	RETAINER SIDE -----							2	
-48	0752023-4	RETAINER TOP & BOTTOM -----							2	
-48A	0752649-1	STIFFENER-CARB AIR DUCT -----							1	
-49	0752609-13	BRACKET-HINGE LH -----							1	SSBPAP
-50	0752609-14	BRACKET-HINGE RH -----							1	
-51	0752609-15	BRACKET-HINGE LH -----							1	SSRRRR
-52	0752609-16	BRACKET-HINGE RH -----							1	
	0752609-47	BRACKET-HINGE LH LOWER -----							1	
	0752609-46	BRACKET-HINGE RH LOWER -----							1	
	0752706-29	CHANNEL-LH -----							1	
-53	0752706-30	CHANNEL-RH -----							1	
-54	0752606-1	STIFFENER -----							1	
-55	0752612-1	REINFORCEMENT-LH -----							1	SSRRRR
	0752612-2	REINFORCEMENT-RH -----							1	
-55A	0752720-1	SUPPORT-COWL FLAP OUTBD LH -----							1	SSRRRR
-55B	0752720-2	SUPPORT-COWL FLAP OUTBD RH -----							1	
-55C	0752721-1	SUPPORT-COWL FLAP INBD LH -----							1	
-55D	0752721-2	SUPPORT-COWL FLAP INBD RH -----							1	
-56	S1115-29	SHOCKMOUNT -----							1	
		ATTACHING PARTS								
-57	AN520-BR6	SCREW -----							2	
-58	0752058-3	SPACER -----							AR	
		*-----								
-59	0752058-1	SUPPORT ASSY -----							1	BCKJ
	NAS697A08	NUTPLATE -----							2	
-60	0752058-4	SPACER -----							1	BCKJ
-61	0752056-2	NOSE CAP ASSY-LOWER -----							1	
	0752056-28	NOSE CAP ASSY-LOWER -----							1	
-61A	0752057-6	STIFFENER -----							1	BCKJ
	0752057-28	STIFFENER -----							1	
-62	NAS686A3	NUTPLATE -----							6	BCKJ
-63	S1853-1	RECEPTACLE -----							4	
-64	0752059-17	REINFORCEMENT ASSY-LH -----							1	BCKJ
	0752059-18	REINFORCEMENT ASSY-RH -----							1	
-65	0752032-1	RECEPTACLE -----							1	BCKJ
-66	0752645-1	ATTACH RING ASSY-LH -----							1	
	0752645-2	ATTACH RING ASSY-RH -----							1	
	NAS697A08	NUTPLATE -----							3	BBBBPPSSSSSSBBBPP
-67	0750236-1	BAFFLE ASSY -----							1	
	0750236-3	SEAL -----							1	
-68	0752609-202	FLAP ASSY-COWL LH -----							1	BBBBPPSSSSSSBBBPP
	0752609-204	FLAP ASSY-COWL LH -----							1	
-69	0752609-203	FLAP ASSY-COWL RH -----							1	BBBBPPSSSSSSBBBPP
	0752609-205	FLAP ASSY-COWL RH -----							1	
-70	0752623-1	BRACKET-COWL FLAP CONTROL -----							2	BBBBPPSSSSSSBBBPP
	S2087-1	SHOCK MOUNT LO -----							1	
-71	0752609-35	BAFFLE-INBD LH -----							1	BBBBPPSSSSSSBBBPP
-72	0752609-28	BAFFLE-INBD RH -----							1	
-73	0752609-29	BAFFLE-OUTBD LH -----							1	BBBBPPSSSSSSBBBPP
-74	0752609-30	BAFFLE-OUTBD RH -----							1	
-75	0752609-31	ANGLE-INBD -----							1	BBBBPPSSSSSSBBBPP
-76	0752609-20	ANGLE-OUTBD -----							1	
-76A	0752609-5	PAN ASSY-LH -----							1	BBBBPPSSSSSSBBBPP
-76B	0752609-39	PAN ASSY-LH -----							1	
	0752609-6	PAN ASSY-RH -----							1	BBBBPPSSSSSSBBBPP
	0752609-40	PAN ASSY-RH -----							1	
-76C	0752609-7	SKIN-COWL FLAP LH -----							1	BBBBPPSSSSSSBBBPP
	0752609-41	SKIN-COWL FLAP LH -----							1	
-76D	0752609-8	SKIN-COWL FLAP RH -----							1	BBBBPPSSSSSSBBBPP
	0752609-42	SKIN-COWL FLAP RH -----							1	
-77	0752625-200	HINGE ASSY -----							1	BBBBPPSSSSSSBBBPP
-78	0752609-27	PIN HINGE -----							1	
-79	0752707-1	FAIRING-COWL & NOSE GEAR -----							1	

CONTINUED ON NEXT PAGE

# 182 & T182 Parts Catalog

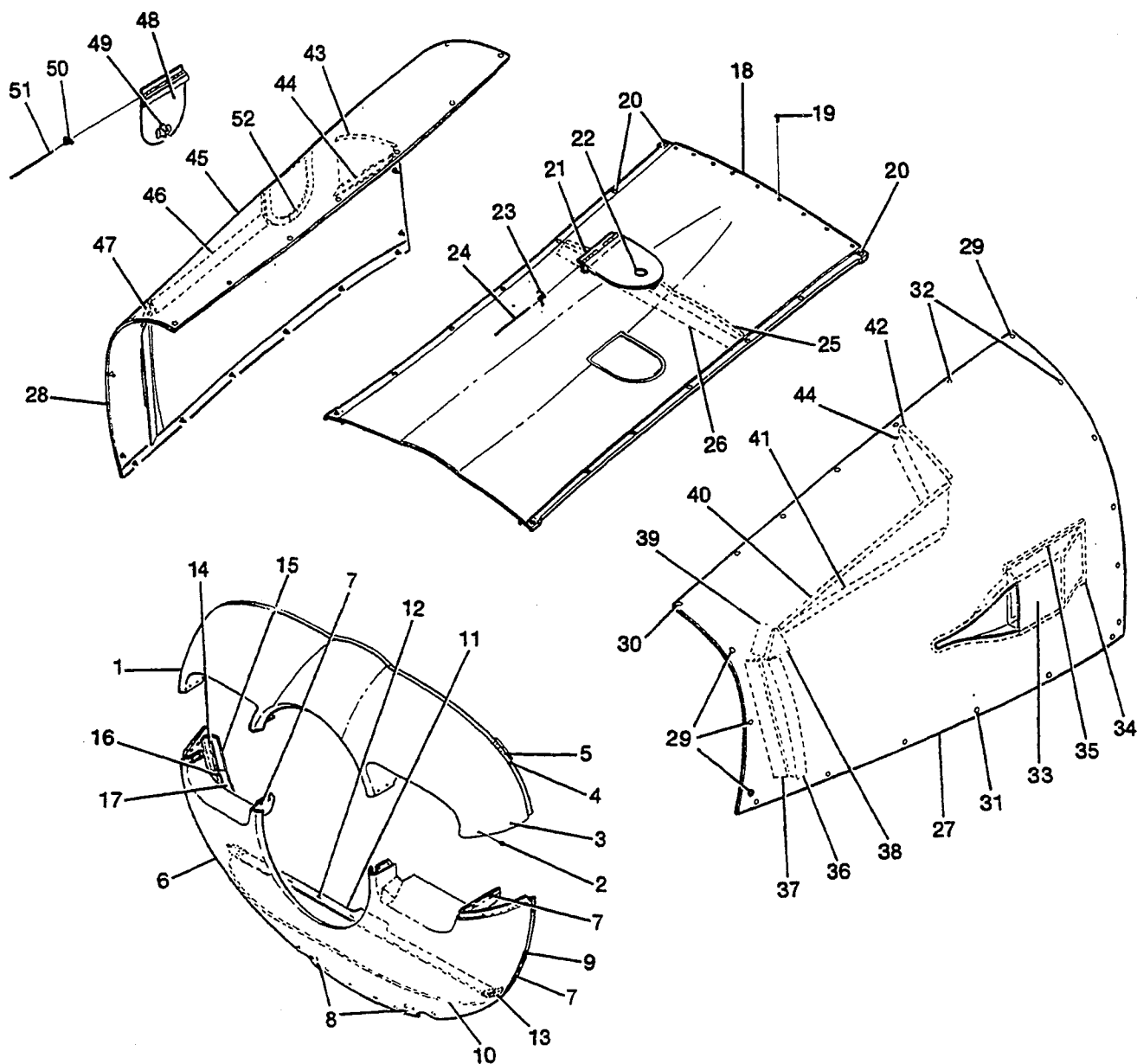
FIGURE AND INDEX NO.	PART NUMBER	DESCRIPTION							UNITS PER ASSY	USABLE ON CODE	
		1	2	3	4	5	6	7			
123	-80	0752715-1	FLAP ASSY-COWL LH -----							1	R
	-81	0752715-2	FLAP ASSY-COWL RH -----							1	
			ATTACHING PARTS -----								
	-82	AN3-5A	BOLT -----							2	R
	-83	AN960-10	WASHER -----							4	
	-84	S1003-97B	BEARING -----							2	R
	-85	MS20364-1032C	NUT -----							2	
			*-----								
	-86	0752715-5	SKIN ASSY LH-WELD -----							1	R
	-87	0752715-6	SKIN ASSY RH-WELD -----							1	
	-88	0752718-4	BRACKET-COWL FLAP CONTROL				OUTBD RH		-----	1	R
		0752718-3	BRACKET-COWL FLAP CONTROL				OUTBD LH		-----	1	
	-88A	0752718-2	BRACKET-COWL FLAP CONTROL				INBD RH		-----	1	R
		0752718-1	BRACKET-COWL FLAP CONTROL				INBD LH		-----	1	
	-89	0752717-1	BAFFLE ASSY-OUTBD COWL FLAP LH -----							1	R
	-90	0752717-2	BAFFLE ASSY-OUTBD COWL FLAP RH -----							1	
	-91	0752716-1	BAFFLE ASSY-INBD COWL FLAP LH -----							1	R
	-92	0752716-2	BAFFLE ASSY-INBD COWL FLAP RH -----							1	
	-93	0752723-1	BUSHING-COWL FLAP -----							1	R
	-94	0752722-1	STIFFENER-COWL FLAP BAFFLE -----							4	
	-95	0752055-1	FRAME-AIR FILTER -----							1	R
			ATTACHING PARTS -----								
	-96	AN509-10R8	SCREW -----							6	
			*-----								
			A---182 SERIAL 18262466 & ON F182 SERIAL F18200001 THRU F18200169								
			B---182 SERIAL 18262466 THRU 18263475								
			C---182 SERIAL 18263476 & ON F182 SERIAL F18200001 THRU F18200169								
			D---182 SERIAL 18263476 THRU 18265353 F182 SERIAL F18200001 THRU F18200050								
			E---182 SERIAL 18265354 & ON F182 SERIAL F18200051 THRU F18200169								
			H---182 SERIAL 18265354 THRU 18266482 F182 SERIAL F1820005 THRU F18200094								
			J---182 SERIAL 18266483 & ON F182 SERIAL F18200095 THRU F18200169								
			K---182 SERIAL 18263476 THRU 18266482 F182 SERIAL F18200001 THRU F18200094								
			L---182 SERIAL 18263476 THRU 18267656 F182 SERIAL F18200001 THRU F18200169								
			M---182 SERIAL 18267657 & ON								
			N---182 SERIAL 18265354 THRU 18267656 F182 SERIAL F18200051 THRU F18200169								
			P---182 SERIAL 18263476 THRU 18268160								
			R---182 SERIAL 18268161 & ON								
			S---182 SERIAL 18262466 THRU 18267955 F182 SERIAL F18200001 THRU F18200169								

# 182 & T182 Parts Catalog

FIGURE AND INDEX NO.	PART NUMBER	DESCRIPTION	UNITS PER ASSY	USABLE ON CODE
		1 2 3 4 5 6 7		
124 -		UPPER COWL & NOSE CAP INSTALLATION -----	NP	A
- 1	2252068-9	NOSECAP ASSY-UPPER -----	1	
		ATTACHING PARTS -----		
- 2	AN509-10R8	SCREW -----	12	
		-----*		
- 3	S1589-3	EYELET -----	12	
- 4	S2319-50	RECEPTACLE -----	2	
- 5	2252071-1	DEFLECTOR -----	1	
- 6	2252068-3	NOSECAP ASSY-LOWER -----	1	
- 7	NAS686A3	NUTPLATE -----	18	
- 8	S1589-3	EYELET -----	12	
- 9	S2319-50	RECEPTACLE -----	4	
-10	2255116-1	BAFFLE ASSY-HORIZONTAL CTR -----	1	
-11	2255116-3	SEAL -----	1	
	2255116-4	SEAL -----	1	
-12	S1150-1	STITCH-METAL -----	AR	
-13	2255102-1	BAFFLE ASSY-LH HORIZONTAL -----	1	
	2255102-3	SEAL -----	1	
	S1150-1	STITCH-METAL -----	AR	
	NAS697A3	NUTPLATE -----	1	
CONTINUED ON NEXT PAGE				

# 182 & T182 Parts Catalog

Engine Cowl (Cont)



**T182 SERIAL 18267716 & ON**

Figure 124. Upper Cowl & Nosecap Installation

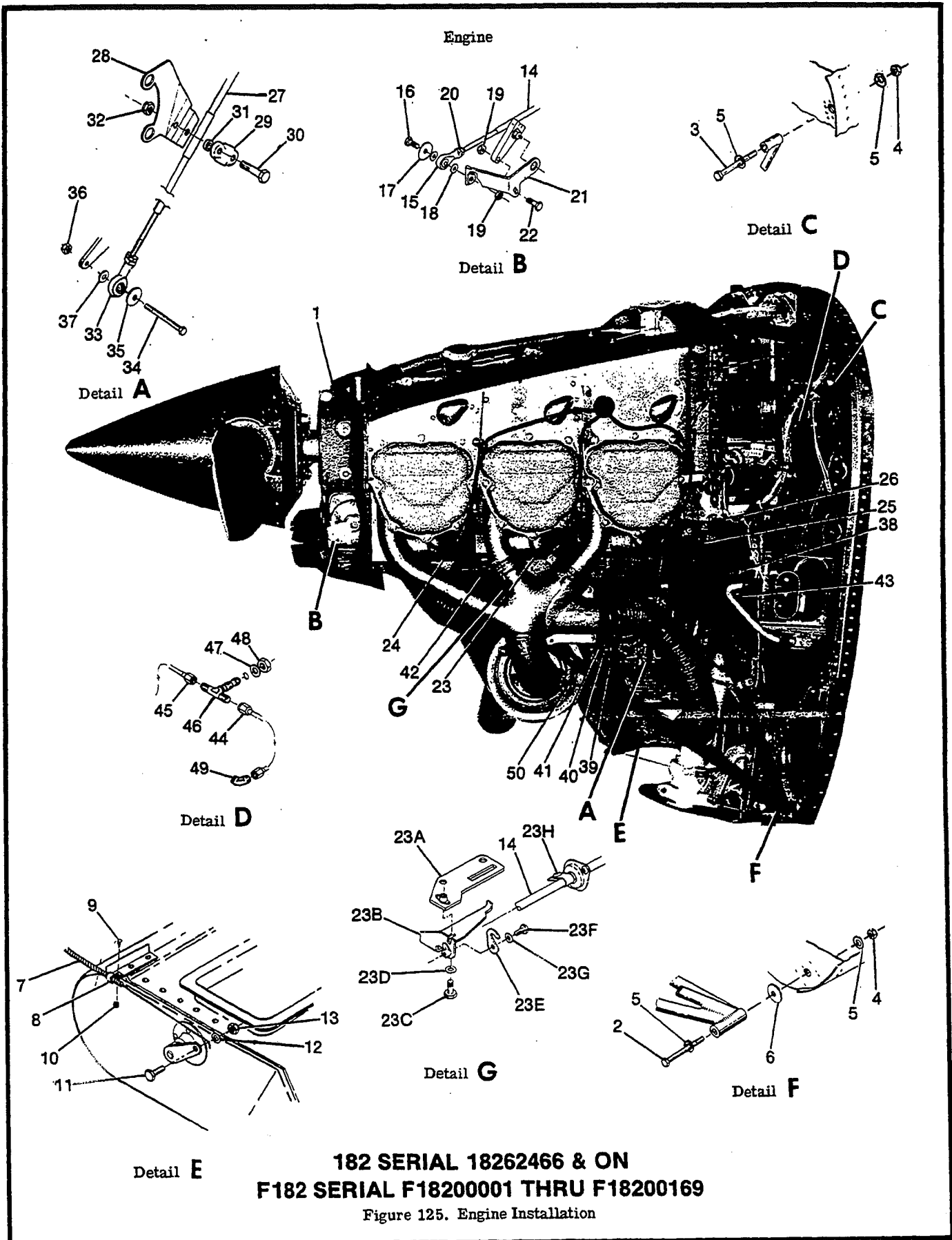
# 182 & T182 Parts Catalog

FIGURE AND INDEX NO.	PART NUMBER	DESCRIPTION							UNITS PER ASSY	USABLE ON CODE
		1	2	3	4	5	6	7		
124 -14	2255100-1	BAFFLE ASSY-UPPER VERTICAL -----							1	
-15	225500-3	SEAL -----							1	
	S1150-1	STITCH-METAL -----							AR	
-16	2255101-1	BAFFLE ASSY-LOWER VERTICAL -----							1	
-17	2255101-3	SEAL -----							1	
	S1150-1	STITCH-METAL -----							AR	
-18	2252042-14	COWL ASSY-UPPER CENTER -----							1	
		ATTACHING PARTS -----								
-19	AW509-10R7	SCREW -----							9	
	MS20365-1032C	NUT -----							2	
		-----*								
-20	S2319-50	RECEPTACLE -----							14	
-21	0552173-31	DOOR ASSY-ACCESS -----							1	
-22	KM610-064	LATCH ASSY-COWL DOOR CLC -----							1	
-23	1552010-1	SPRING -----							1	
-24	1552004-17	PIN-HINGE -----							1	
	1552004-25	STRIKER -----							1	
-25	2252039-1	BAFFLE ASSY -----							1	
-26	2252039-7	SEAL -----							1	
	S1150-1	STITCH -----							AR	
-27	2252042-15	COWL ASSY-UPPER LH -----							1	
-28	2252042-16	COWL ASSY-UPPER RH -----							1	
-29	S2319-3	STUD -----							4	
	S2319-20	GROMMET -----							4	
	CM2791-1	SNAP RING -----							4	
-30	S2319-5	STUD -----							1	
	S2319-20	GROMMET -----							1	
	CM2791-1	SNAP RING -----							1	
-31	S2319-5	STUD -----							6	
	S2319-21	GROMMET -----							6	
	CM2791-1	SNAP RING -----							6	
-32	S2319-2	STUD -----							10	
	S2319-20	GROMMET -----							10	
	CM2791-1	SNAP RING -----							10	
-33	2252038-1	SCOOP ASSY-INDUCTION LH -----							1	
-34	S1047-3	SEAL 5.62 IN LG BKI REF S1047-3-5.62 -----							2	
-35	S1047-3	SEAL 8.50 IN LG BKI REF S1047-3-8.50 -----							2	
-36	2252023-5	BAFFLE ASSY-LH FORWARD -----							1	
-37	2252023-3	SEAL -----							1	
-38	2252027-1	BAFFLE ASSY-LH CORNER -----							1	
-39	2252027-3	SEAL -----							1	
	2252027-4	SEAL -----							1	
-40	2252024-1	BAFFLE ASSY-LH HORIZONTAL -----							1	
-41	2252024-3	SEAL -----							1	
-42	2252028-1	BAFFLE ASSY-LH AFT -----							1	
-43	2252028-2	BAFFLE ASSY-RH AFT -----							1	
-44	2252028-5	SEAL -----							1	
-45	2252025-1	BAFFLE ASSY-RH HORIZONTAL -----							1	
-46	2252025-3	SEAL -----							1	
-47	2252069-1	BAFFLE ASSY-RH CORNER -----							1	
	2252069-3	SEAL -----							1	
-48	0552173-33	DOOR ASSY-COWL ACCESS RH -----							1	
-49	KM610-064	LATCH ASSY-COWL DOOR CLC -----							1	
-50	1552010-1	SPRING -----							1	
-51	1552004-17	PIN-HINGE -----							1	
-52	1552004-25	STRIKER -----							1	

A---T182 SERIAL 18267716 & ON



# 182 & T182 Parts Catalog



**182 SERIAL 18262466 & ON**  
**F182 SERIAL F1820001 THRU F18200169**  
 Figure 125. Engine Installation

# 182 & T182 Parts Catalog

FIGURE AND INDEX NO.	PART NUMBER	DESCRIPTION							UNITS PER ASSY	USABLE ON CODE
		1	2	3	4	5	6	7		
125 -		ENGINE INSTALLATION -----							NP	A
- 1	SEE FIG 126	ENGINE ASSEMBLY -----							1	
		ATTACHING PARTS -----								
- 2	AN6-33A	BOLT -----							2	
- 3	AN6-25A	BOLT -----							2	
- 4	MS20365-624C	NUT -----							4	
- 5	AN960-616	WASHER-ENGINE MOUNT -----							8	
- 6	S1450-23H16-095	WASHER-ENGINE MOUNT -----							2	
		-----*								
- 7	SEE NOTE %	CONTROL ASSY-CARBURETOR HEAT -----							1	
		ATTACHING PARTS -----								
	AN742D3	CLAMP -----							1	
	NAS446-4-3	NUT -----							1	
	S1021Z8-6	SCREW -----							1	
- 8	AN742D3	CLAMP -----							1	
- 9	AN3-3A	BOLT -----							1	
-10	MS20364-1032C	NUT -----							1	
-11	S2323-5	CLAMP-CARBURETOR HEAT -----							1	
-12	AN960-10L	WASHER -----							1	
-13	MS20364-1032C	NUT -----							1	
		-----*								
-14	SEE NOTE %	CONTROL ASSY-PROPELLER -----							1	
		ATTACHING PARTS -----								
-15	S1104-3	ROD END-CONTROL -----							1	
-16	AN3-7	BOLT -----							1	
-17	S1450-3-14-032	WASHER -----							1	
-18	AN960-10	WASHER -----							2	
-19	AN310-3	NUT -----							3	
	AN960-10	WASHER -----							AR	
	MS24665-135	PIN-COTTER -----							1	
-20	AN315-3R	NUT -----							1	
-21	0750138	ARM -----							1	
-22	AN3-5A	BOLT -----							1	
	S2300-3	BRACKET -----							1	
	S1486DG5U	CLAMP -----							1	
	S1021Z8-8	SCREW -----							1	
	S1486DG6U	CLAMP -----							1	
	S1021Z8-14	SCREW -----							1	
	AN742D34	CLAMP -----							1	
		-----*								
-23	0450191-3	CLAMP-PROPELLER CONTROL -----							1	
	AN741-18P	CLAMP -----							1	
	AN3-11A	BOLT -----							1	
	AN936B10	WASHER -----							1	
	MS20365-1032C	NUT -----							1	
-23A	1250024-1	BRACKET ASSY-PROP CONTROL MOUNT -----							1	
	NAS697A4	NUTPLATE -----							1	
-23B	1250026-1	BRACKET ASSY-PROP CONTROL ADJUST -----							1	
		ATTACHING PARTS -----								
-23C	AN4-5A	BOLT -----							1	
-23D	AN960-416	WASHER -----							1	
		-----*								
	NAS696A3	NUTPLATE -----							1	
-23E	1250025-1	RETAINER-PROP CONTROL -----							1	
		ATTACHING PARTS -----								
-23F	AN3-4A	BOLT -----							1	
-23G	AN960-10	WASHER -----							1	
		-----*								
-23H	AN742D6	CLAMP -----							1	
		ATTACHING PARTS -----								
	S1154-1	BRACKET -----							1	
	S1021Z8-6	SCREW -----							1	
		-----*								
-24	S1486DG3U	CLAMP -----							1	
	S2300-2	BRACKET -----							2	
	S1021Z8-8	SCREW -----							2	
-25	MS21919DG34	CLAMP -----							1	
-26	MS21919DG6	CLAMP -----							1	
		ATTACHING PARTS -----								
	NAS563-21	BOLT -----							1	
	AN960-10	WASHER -----							1	
	MS20364-1032C	NUT -----							1	
		-----*								

CONTINUED ON NEXT PAGE

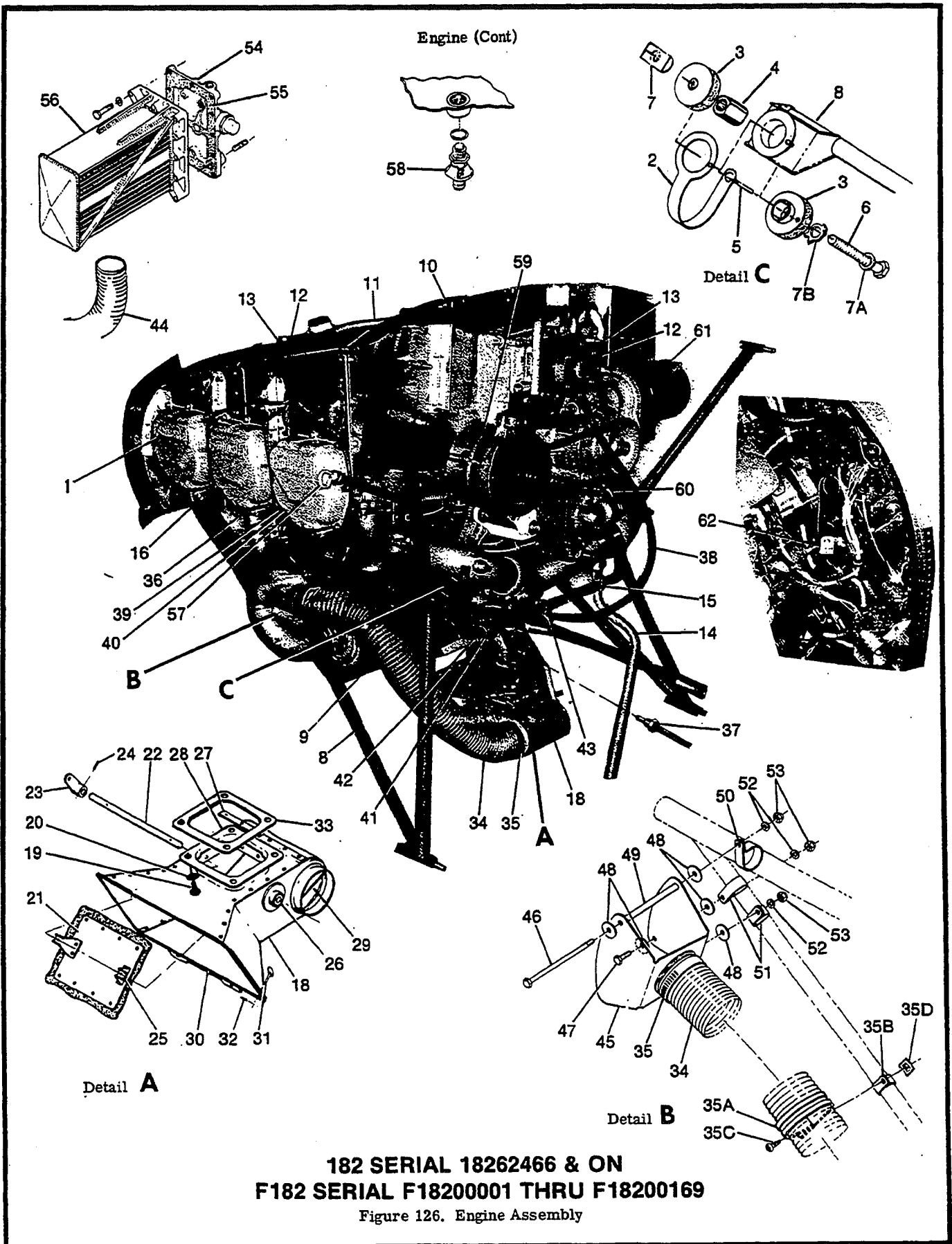
# 182 & T182 Parts Catalog

FIGURE AND INDEX NO.	PART NUMBER	DESCRIPTION							UNITS PER ASSY	USABLE ON CODE
		1	2	3	4	5	6	7		
125 -27	SEE NOTE %	CONTROL ASSEMBLY-THROTTLE -----							1	
		ATTACHING PARTS -----								
-28	0750612-1	BRACKET-THROTTLE CONTROL -----							1	
-29	S351	CLAMP-THROTTLE CONTROL -----							1	
-30	AN3-6A	BOLT -----							2	
-31	NAS43HT3-9	SPACER -----							2	
-32	MS21044N3	NUT -----							2	
-33	S1106-4	ROD END-THROTTLE CONTROL -----							1	
-34	AN4-12	BOLT -----							1	
-35	S1450-4-14-032	WASHER -----							1	
-36	AN310-4	NUT -----							1	
	MS24665-132	COTTER PIN -----							1	
-37	AN960-416	WASHER -----							2	
		*-----								
-38	SEE NOTE %	CONTROL ASSEMBLY-MIXTURE -----							1	
		ATTACHING PARTS -----								
-39	S2323-4	CLAMP-MIXTURE CONTROL -----							1	
	MS21042L4	NUT -----							1	
	AN960-416L	WASHER -----							2	
-40	AN742D4	CLAMP -----							1	B
	S2226-2	CLAMP -----							1	C
	AN3-3A	BOLT -----							1	
	MS20365-1032C	NUT -----							1	
-41	0750159-1	CLIP-MIXTURE CONTROL -----							1	
	AN3-3A	BOLT -----							1	
	MS21044N3	NUT -----							1	
	S1485D3U	CLAMP TIN -----							1	B
	MS21919D6-11	CLAMP -----							1	
	S1021Z8-6	SCREW -----							1	B
	S2226-2	CLAMP -----							1	B
	AN3-3A	BOLT -----							1	B
	MS20365-1032C	NUT -----							1	B
		*-----								
-42	0750139	ADAPTER-OIL TEMPERATURE RH SIDE -----							2	
	S2335-1	SENDING UNIT-OIL TEMP -----							1	D
		ATTACHING PARTS -----								
	AN900-10	GASKET -----							1	
	S1486D63U	CLAMP -----							2	
	AN742D34	CLAMP -----							2	
	S1021Z8-8	SCREW -----							2	
	MS21919D64	CLAMP -----							1	
	S1021Z8-6	SCREW -----							1	
	NAS446-4-3	NUT -----							1	
		*-----								
-43	0700099-78	LINE ASSEMBLY-MANIFOLD PRESSURE FIREWALL TO ENGINE -----							1	
		ATTACHING PARTS -----								
	MS21919D62	CLAMP -----							1	
	S1021Z8-6	SCREW -----							1	
	NAS446-4-3	NUT -----							1	
	0750282-1	ADAPTER ASSEMBLY ATTACH LINE TO ENGINE -----							1	
	AN833-2	ELBOW ATTACH LINE TO FIREWALL -----							1	
	AN960-516	WASHER ATTACH LINE TO FIREWALL -----							1	
	AN924-2	NUT ATTACH LINE TO FIREWALL -----							1	
		*-----								
	NAS398-50	CLAMP TIN -----							1	
-44	0700099-79	PRIMER LINE-TEE TO MANIFOLD LH -----							1	
-45	0700099-80	PRIMER LINE-TEE TO MANIFOLD RH -----							1	
		ATTACHING PARTS -----								
-46	AN834-2	TEE -----							1	
-47	AN960-516	WASHER -----							1	
-48	AN924-2	NUT -----							1	
		*-----								
-49	AN402-1	ELBOW-PRIMING JET -----							2	
-50	C668561-0204	PROBE-ECONOMY POWER -----							1	
	AN515-4R4	SCREW -----							2	
		NOTE. %REFER TO APPLICABLE INSTRUMENT PANEL FIGURE.								
		A---182 SERIAL 18262466 & ON F182 SERIAL F18200001 THRU F18200169								
		CONTINUED ON NEXT PAGE								

# 182 & T182 Parts Catalog

FIGURE AND INDEX NO.	PART NUMBER	DESCRIPTION	UNITS PER ASSY	USABLE ON CODE
		1 2 3 4 5 6 7		
125 -		B---182 SERIAL 18262466 THRU 18265175 F182 SERIAL F18200001 THRU F18200025 C---182 SERIAL 18265176 & ON F182 SERIAL F18200026 THRU F18200169 D---182 SERIAL 18266591 & ON F182 SERIAL F18200095 THRU F18200169 E---182 SERIAL 18262466 THRU 18266590 F182 SERIAL F18200001 THRU F18200094		

# 182 & T182 Parts Catalog



# 182 & T182 Parts Catalog

FIGURE AND INDEX NO.	PART NUMBER	DESCRIPTION							UNITS PER ASSY	USABLE ON CODE
		1	2	3	4	5	6	7		
126 -		ENGINE ASSY-CONTINENTAL							NP	A
- 1	0-470-R								1	B
	0-470-R								1	B
	0-470-S	e							1	C
	0-470-S	e							1	C
	0-470-U								1	H
	0-470-U								1	H
	0-470-U								1	J
	0-470-U								1	J
	0-470-U								1	P
	0-470-U								1	P
	0-470-U								1	Y
	0-470-U								1	Y
									1	
- 2	0750137								4	W
	0412007-6								1	X
									1	X
	AN4-4A								1	X
	MS21042L4								1	X
- 3	0750132-1								4	
- 4	0750132-2								1	
- 5	MS20253-5-100								4	
- 6	AN7-33A								4	
- 7	539911								4	
- 7A	AN960-716L								4	
- 7B	0851559-1								4	
- 8	0751600-1								1	
- 9	SEE FIG 132								1	
-10	SEE FIG 135								1	
-11	1200106-108								1	
-12	S51-12								2	
-13	NAS397-18-1								4	
-14	0700099-45								1	
-15	S1485DG12U								1	
	AN742D12								1	
	S1021710-10								1	
-16	C161031-0101	**							1	G F G
	C161031-0107	**							1	
	SEE FIG 131								1	
-17									1	
-18	0750144-21								1	
	0750144-33								1	
-19	MS20074-04-3								4	
-20	0750131-1								4	
-21	0750133-7								1	
-22	0750133-8								1	
-23	0750111-19								1	
-24	MS16562-16								1	
-25	0750133-9								2	
-26	0750113-1								2	
-27	0750280-1								1	
-28	0750288-1								1	
-29	0750133-22								1	
-30	0750144-32								1	
-31	W98293-3-360								2	
-32	S1853-4								2	
	AN960-10L								2	
-33	0750142-1								1	
-34	S1053K20T								1	
-35	S1891-48								2	
-35A	MS21919DG40								1	
-35B	AN942D14								1	
-35C	S1021710-10								1	
-35D	NAS446-5-3								1	

CONTINUED ON NEXT PAGE

# 182 & T182 Parts Catalog

FIGURE AND INDEX NO.	PART NUMBER	DESCRIPTION							UNITS PER ASSY	USABLE ON CODE	
		1	2	3	4	5	6	7			
126 -36	0750143-1	DEFLECTOR ASSY-ENGINE HEAT -----							6	R U V	
-37	0550209-1	PROBE-CARBURETOR AIR TEMP -----							1		
-38	S1236-4-0460	HOSE-OIL PRESSURE -----							1		
	S1236-4-0495	HOSE-OIL PRESSURE -----							1	R U V	
	S2495-4-0480	HOSE-OIL PRESSURE -----							1		
		ATTACHING PARTS									
-39	AN912-3	BUSHING -----							1		
-40	0752037-1	ELBOW -----							1		
-41	S2300-2	BRACKET -----							1		
-42	MS21919D67	CLAMP -----							2		
-43	S1485D12U	CLAMP -----							1		
	MS21919D69	CLAMP -----							1		
	MS21919D67	CLAMP -----							1		
	MS21919D612	CLAMP -----							1	R U V	
	S1021Z10-10	SCREW -----							2		
	S1021Z8-6	SCREW -----							1		
	NAS43DD3-34	SPACER -----							1		
	AN3-10A	BOLT -----							1		
	NAS446-4-3	NUT -----							2		
	NAS446-4-3	NUT -----							1		
		*-----									
-44	S1053K24T	HOSE-16.0 IN LB BK1 REF S1053K24T 16.0 -----							1		D K L
	NAS398-50	ATTACHING PARTS									
		CLAMP -----							2		
		*-----									
	S1372-1	SENDING UNIT-CYLINDER HEAD TEMP REFER TO S/M FOR LOCATION							1		
	S1372-2	SENDING UNIT CYLINDER HEAD TEMP REFER TO S/M FOR LOCATION							1		
	S2334-4	SENDING UNIT CYLINDER HEAD TEMP REFER TO S/M FOR LOCATION							1		
	AN900-6	GASKET INSTALL IN NO. 3 HEAD -----							1		
	SEE FIG 129	AIR FILTER-CARBURETOR -----							1		
-45	0752724-1 #	SHROUD ASSY-CARB HEAT -----							1		
		ATTACHING PARTS									
-46	AN3-45A	BOLT -----							1		
-47	AN3-5A	BOLT -----							2		
-48	AN970-3	WASHER -----							6		
-49	NAS43HT3-256	SPACER -----							1		
-50	AN742D20	CLAMP -----							1		
-51	AN742D14	CLAMP -----							2		
-52	AN960-10	WASHER -----							3		
-53	MS20365-1032C	NUT -----							3		
		*-----									
-54	626332	LARGE OIL COOLER INSTL-NON CONGEALING -----							NP		
-55	626342	PLATE-OIL COOLER CM -----							1		
	626341	GASKET-OIL COOLER CM -----							1		
-56	639171	GASKET-OIL COOLER TO CRANKCASE CM -----							1		
	625966	COOLER-ENGINE OIL -----							1		
-57	632062-29AJ	GASKET-PLUG -----							1		
-58	S1964-4	DIP STICK-OIL -----							1		
-58A	MS35769-11	VALVE ASSY-OIL QUICK DRAIN -----							1		
-59	SEE FIG 191	GASKET-OIL DRAIN VALVE -----							1		
-60	SEE FIG 171	ALTERNATOR INSTL -----							1		
-61	SEE FIG 129	OIL FILTER -----							1		
-62	SEE FIG 173	STARTER-HEAVY DUTY -----							1		
		CONTROL-STRAINER DRAIN -----							1		

CONTINUED ON NEXT PAGE

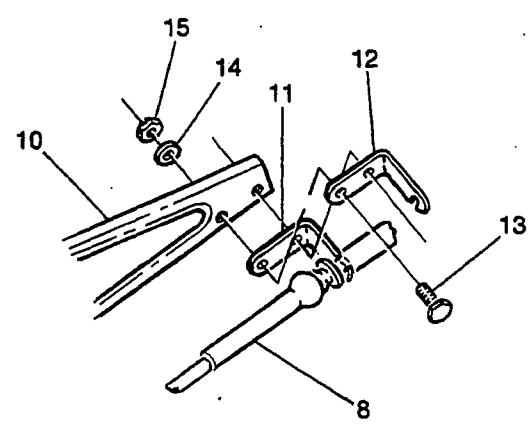
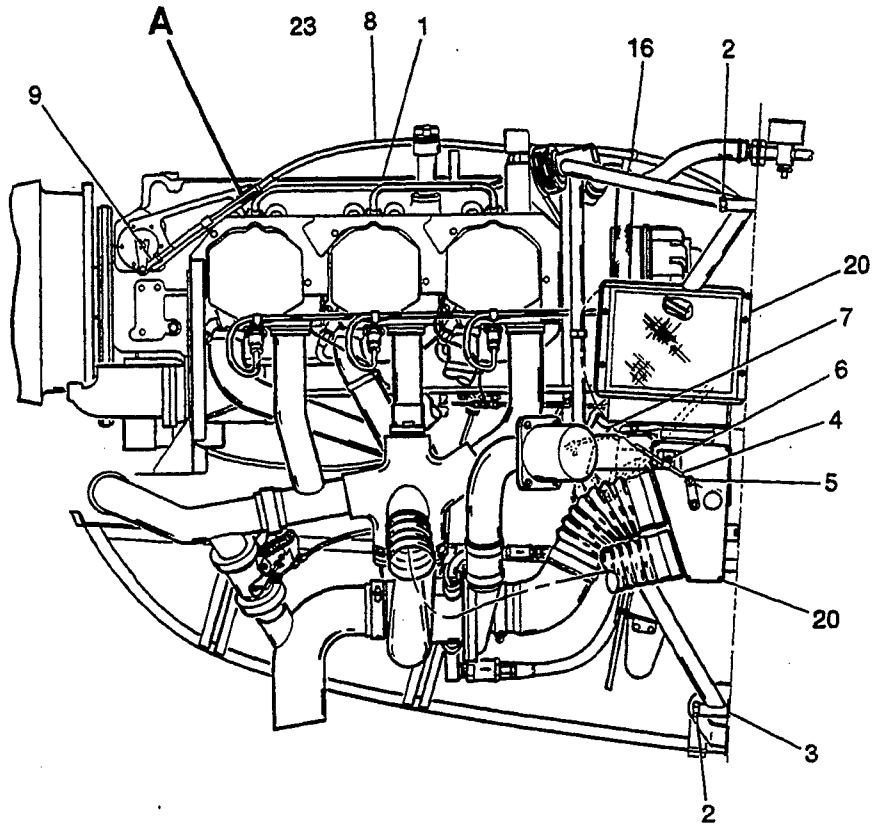
# 182 & T182 Parts Catalog

FIGURE AND INDEX NO.	PART NUMBER	DESCRIPTION	UNITS PER ASSY	USABLE ON CODE
		1 2 3 4 5 6 7		
126 -		<p>NOTE. **FOR DETAILS OF THIS GOVERNOR REFER TO APPLICABLE MCCAULEY MANUAL.</p> <p>NOTE. @WHEN ORDERING THIS ENGINE FOR AIRPLANES SERIAL 18262466 THRU 18263475 ALSO ORDER SK182-50 CONVERSION KIT.</p> <p>NOTE. #WHEN INITIALLY ORDERING THIS PART FOR SPARES ORDER SK182-78 SERVICE KIT IN PLACE OF 0752724-1 SHROUD. KIT INCLUDES SHROUD &amp; ATTACHING PARTS</p> <p>A---182 SERIAL 18262466 &amp; ON F182 SERIAL F1820001 THRU F18200169</p> <p>B---182 SERIAL 18262466 THRU 18263475</p> <p>C---182 SERIAL 18263476 THRU 18265175 F182 SERIAL F1820001 THRU F18200025</p> <p>D---182 SERIAL 18262466 THRU 18263666</p> <p>E---182 SERIAL 18263667 &amp; ON</p> <p>F---182 SERIAL 18265176 &amp; ON F182 SERIAL F18200026 THRU F18200169</p> <p>G---182 SERIAL 18262466 THRU 18265175 F182 SERIAL F18200001 THRU F18200025</p> <p>H---182 SERIAL 18265176 THRU 18265965 F182 SERIAL F18200026 THRU F18200064</p> <p>J---182 SERIAL 18265966 THRU 18267300 F182 SERIAL F18200065 THRU F18200129</p> <p>K---182 SERIAL 18263667 THRU 18266590 F182 SERIAL F18200001 THRU F18200094</p> <p>L---182 SERIAL 18266591 &amp; ON F182 SERIAL F18200095 THRU F18200169</p> <p>M---182 SERIAL 18262466 THRU 18267184 F182 SERIAL F18200001 THRU F18200144</p> <p>P---182 SERIAL 18267301 THRU 18268293 F182 SERIAL F18200130 THRU F18200169</p> <p>R---182 SERIAL 18262466 THRU 18266966 F182 SERIAL F18200001 THRU F18200129</p> <p>S---182 SERIAL 18266967 &amp; ON F182 SERIAL F18200130 THRU F18200169</p> <p>T---182 SERIAL 18267716 THRU 18268160</p> <p>U---182 SERIAL 18266967 THRU 18267961</p> <p>V---182 SERIAL 18267962 &amp; ON</p> <p>W---182 SERIAL 18262466 THRU 18268119</p> <p>X---182 SERIAL 18268120 &amp; ON</p> <p>Y---182 SERIAL 18268294 &amp; ON</p>		



# 182 & T182 Parts Catalog

Engine (Cont)



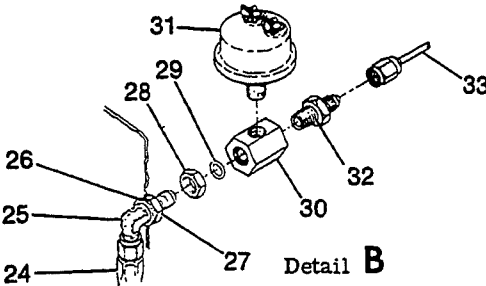
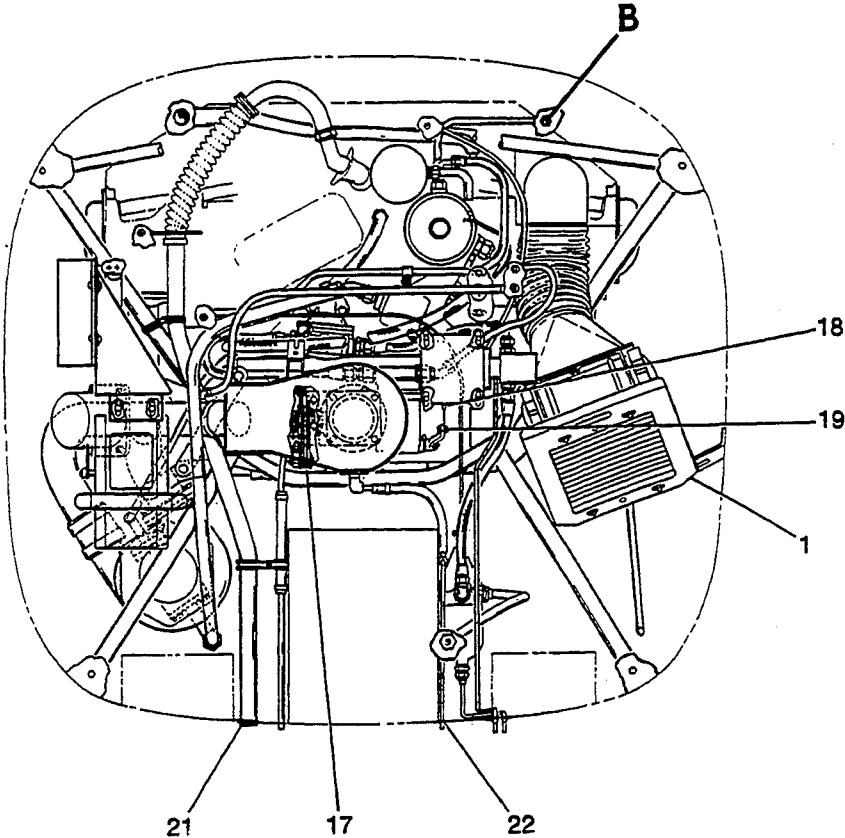
Detail A

**T182 SERIAL 18267716 & ON**

Figure 127. (Sheet 1 of 2) Engine Installation-Turbocharged

# 182 & T182 Parts Catalog

Engine (Cont)



**T182 SERIAL 18267716 & ON**

Figure 127. (Sheet 2 of 2) Engine Installation-Turbocharged

# 182 & T182 Parts Catalog

FIGURE AND INDEX NO.	PART NUMBER	DESCRIPTION							UNITS PER ASSY	USABLE ON CODE
		1	2	3	4	5	6	7		
127 -		ENGINE INSTALLATION-TURBOCHARGED -----							NP	A
- 1	SEE FIG 128	ENGINE ASSY -----							1	
		ATTACHING PARTS -----								
- 2	AN6-27A	BOLT -----							4	
	AN960-616	WASHER UPPER -----							2	
	AN960-616	WASHER LOWER -----							AR	
- 3	S1450-23H16-095	WASHER LOWER -----							2	
	MS21042L6	NUT -----							4	
		*-----								
- 4		CONTROL ASSY-CARBURETOR HEAT SEE INST PNL -----							1	
		ATTACHING PARTS -----								
- 5	S2323-3	CLAMP -----							1	
	AN960-10	WASHER -----							1	
	AN960-10L	WASHER -----							1	
	MS20364-1032C	NUT -----							1	
- 6	S2226-1	CLAMP -----							1	
	AN520-10R6	SCREW -----							1	
- 7	MS21919D64	CLAMP -----							1	
	MS21919D614	CLAMP -----							1	
	AN520-10R8	SCREW -----							1	
	MS20364-1032C	NUT -----							1	
		*-----								
- 8		CONTROL ASSY-PROP GOVERNOR SEE INST PNL -----							1	
		ATTACHING PARTS -----								
- 9	S1104-3	ROD END -----							1	
	AN315-3R	NUT ROD END TO CONTROL ASSY -----							1	
	AN3-11	BOLT ROD END TO GOVERNOR ARM -----							1	
	S1450-3-10-032	WASHER -----							2	
	AN960-10	WASHER -----							2	
	MS24665-132	PIN -----							1	
	AN310-3	NUT -----							1	
-10	2451003-1	CONTROL BRACKET-GOVERNOR -----							1	
-11	2451002-3	BRACKET -----							1	
-12	2451002-4	BRACKET -----							1	
-13	AN3-4A	BOLT -----							2	
-14	AN960-10	WASHER -----							2	
-15	MS20365-1032C	NUT -----							2	
		*-----								
-16	MS219ADG5	CLAMP PROP CONTROL -----							1	
	MS21919D614	CLAMP ENGINE MOUNT -----							1	
	AN520-10R24	SCREW -----							1	
	NAS43003-64	SPACER -----							1	
	MS20364-1032C	NUT -----							1	
-17	SEE FIG 139	THROTTLE CONTROL ASSY -----							1	
-18		CONTROL-MIXTURE SEE INST PNL -----							1	
		ATTACHING PARTS -----								
-19	S2323-11	CLAMP -----							1	
	AN960-10L	WASHER -----							1	
	AN960-10	WASHER -----							1	
	MS20365-1032C	NUT -----							1	
		*-----								
-20	SEE FIG 137	AIR BOX ASSY-CARBURETOR HEAT -----							1	
-21	NAS557-16	GROMMET -----							1	
-22	MS35489-6	GROMMET -----							1	
-23	C668501-0204	PROBE-EXHAUST GAS TEMP -----							1	
-24	S1129-4-0140	HOSE ASSY-OIL PRESSURE -----							1	
		ATTACHING PARTS -----								
-25	AN837-4	ELBOW -----							1	
-26	AN960-716	WASHER -----							1	
-27	AN924-4	NUT -----							1	
	2250021-2	RESTRICTOR ASSY-OIL PRESSURE -----							1	
		*-----								
-28	AN924-4	NUT -----							1	
-29	MS28778-4	PACKING-O-RING -----							1	
-30	1213158-4	ADAPTOR-HOURMETER SWITCH -----							1	
-31	S1711-1	SWITCH-HOURMETER -----							1	
-32	AN816-4D	NIPPLE -----							1	
-33	1200106-243	TUBE ASSY-OIL PRESSURE USED WITH HOURMETER -----							1	
	0700099-37	LINE ASSY-OIL PRESSURE USED WITHOUT HOURMETER -----							1	
A---T182 SERIAL 18267716 & ON										

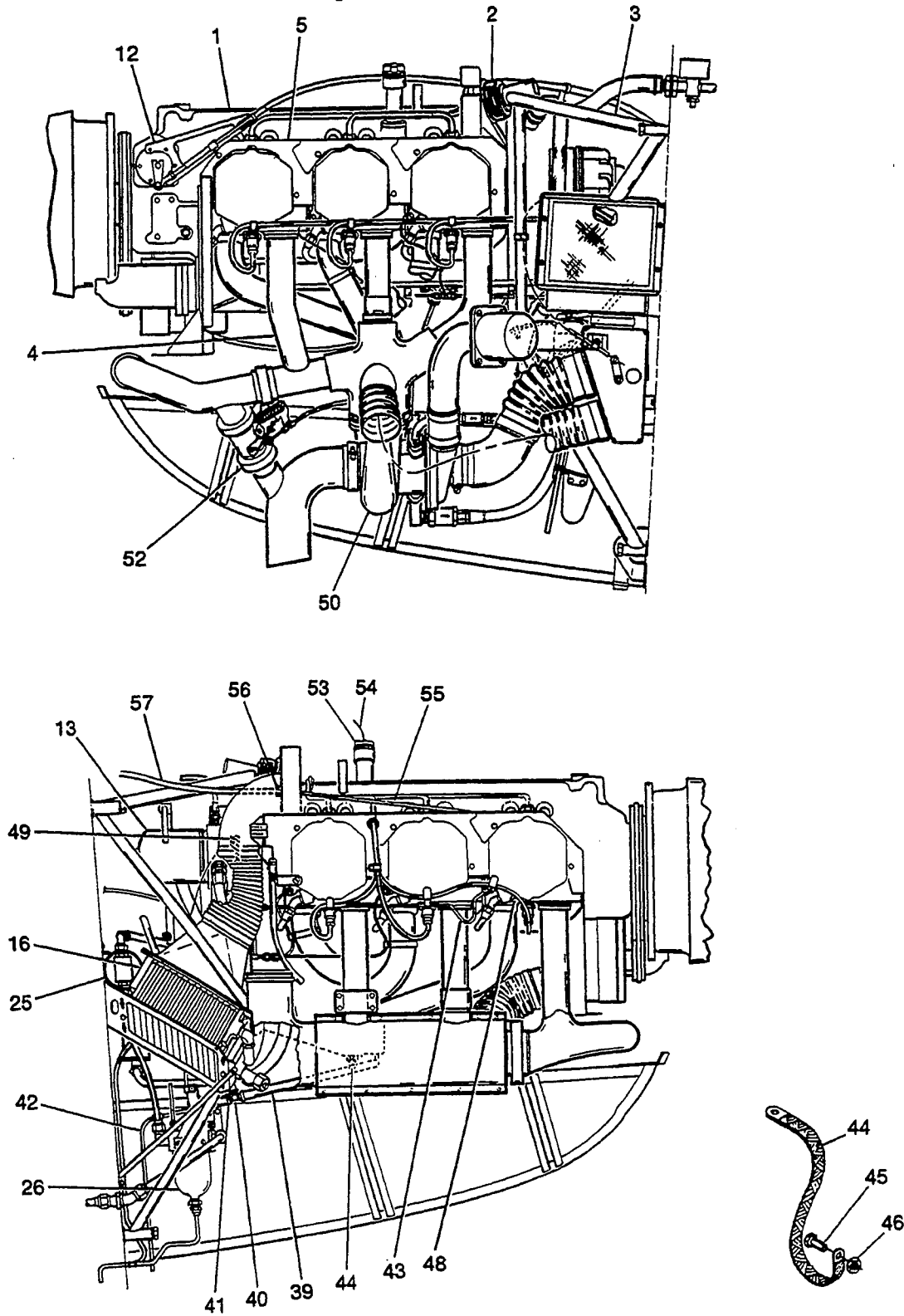
# 182 & T182 Parts Catalog

FIGURE AND INDEX NO.	PART NUMBER	DESCRIPTION	UNITS PER ASSY	USABLE ON CODE		
					1	2
128 -		ENGINE ASSEMBLY-TURBOCHARGED LYCOMING -----	NP	A		
- 1	0-540-L3C5D	ENGINE LY -----	1			
		ATTACHING PARTS -----				
- 2	C299501-0105	SHOCK MOUNTING KIT-ENGINE -----	4			
	AN7-34A	BOLT -----	4			
	AN960-716L	WASHER -----	4			
	MS20365-720C	NUT -----	4			
		-----*				
- 3	2251000-18	MOUNT ASSY-ENGINE -----	1			
- 4	SEE FIG 134	EXHAUST SYSTEM-ENGINE -----	1			
- 5	SEE FIG 136	BAFFLES INSTALLATION-ENGINE -----	1			
- 6	2250118-1	TUBE ASSY -----	1			
- 7	S51-16-81	HOSE-BREATHER -----	1			
		ATTACHING PARTS -----				
- 8	NAS397-22	CLAMP -----	2			
		-----*				
- 9	2200001-52	TUBE-OIL DRAIN -----	1			
		ATTACHING PARTS -----				
-10	MS21919DG14	CLAMP -----	1			
	MS21919DG16	CLAMP -----	1			
	S1021710-10	SCREW -----	1			
	NAS446-5	NUT -----	1			
-11	MS21919DG4	CLAMP -----	2			
	MS21919DG6	CLAMP -----	2			
	S1021710-10	SCREW -----	2			
	NAS446-5	NUT -----	2			
		-----*				
-12	C161031-113	GOVERNOR-PROPELLER -----	1			
-13	C294506-0103	FILTER-OIL -----	1			
-14	S1129-4-0140	HOSE ASSY-OIL PRESSURE -----	1	B		
	S2495-4-0150	HOSE ASSY-OIL PRESSURE -----	1	C		
		ATTACHING PARTS -----				
-15	AN837-4	ELBOW -----	1			
	AN960-716	WASHER -----	1			
	AN924-4	NUT -----	1			
	2250021-2	RESTRICTOR ASSY -----	1			
		-----*				
-16	10614A	OIL COOLER -----	1			
-17	2250133-1	BRACKET ASSY -----	1			
		ATTACHING PARTS -----				
	AN3-4A	BOLT -----	4			
	AN960-10	WASHER -----	4			
-18	2250128-1	BRACKET-SUPPORT -----	1			
	AN3-4A	BOLT -----	2			
	AN960-10	WASHER -----	2			
	MS20364-1032C	NUT -----	1			
-19	SEE FIG 30	BRACKET-SUPPORT -----	1			
	AN3-4A	BOLT -----	1			
	AN960-10	WASHER -----	1			
	MS20364-1032C	NUT -----	1			
		-----*				
-20	NAS686A3	NUTPLATE -----	4			
-21	S1129-8-0430	HOSE ASSY ENGINE TO OIL COOLER -----	1	B		
	S2495-8-0382	HOSE ASSY ENGINE TO OIL COOLER -----	1	C		
-22	MS20822-8	ELBOW -----	1			
-23	S1129-8-0284	HOSE ASSY OIL COOLER TO FILTER -----	1	B		
	S2495-8-0290	HOSE ASSY OIL COOLER TO FILTER -----	1	C		
-24	MS20826-8	TEE -----	1			
	0556018-2	CAP ASSY -----	1			
-25	SEE FIG 171	FUEL PUMP -----	1			

CONTINUED ON NEXT PAGE

# 182 & T182 Parts Catalog

Engine (Cont)

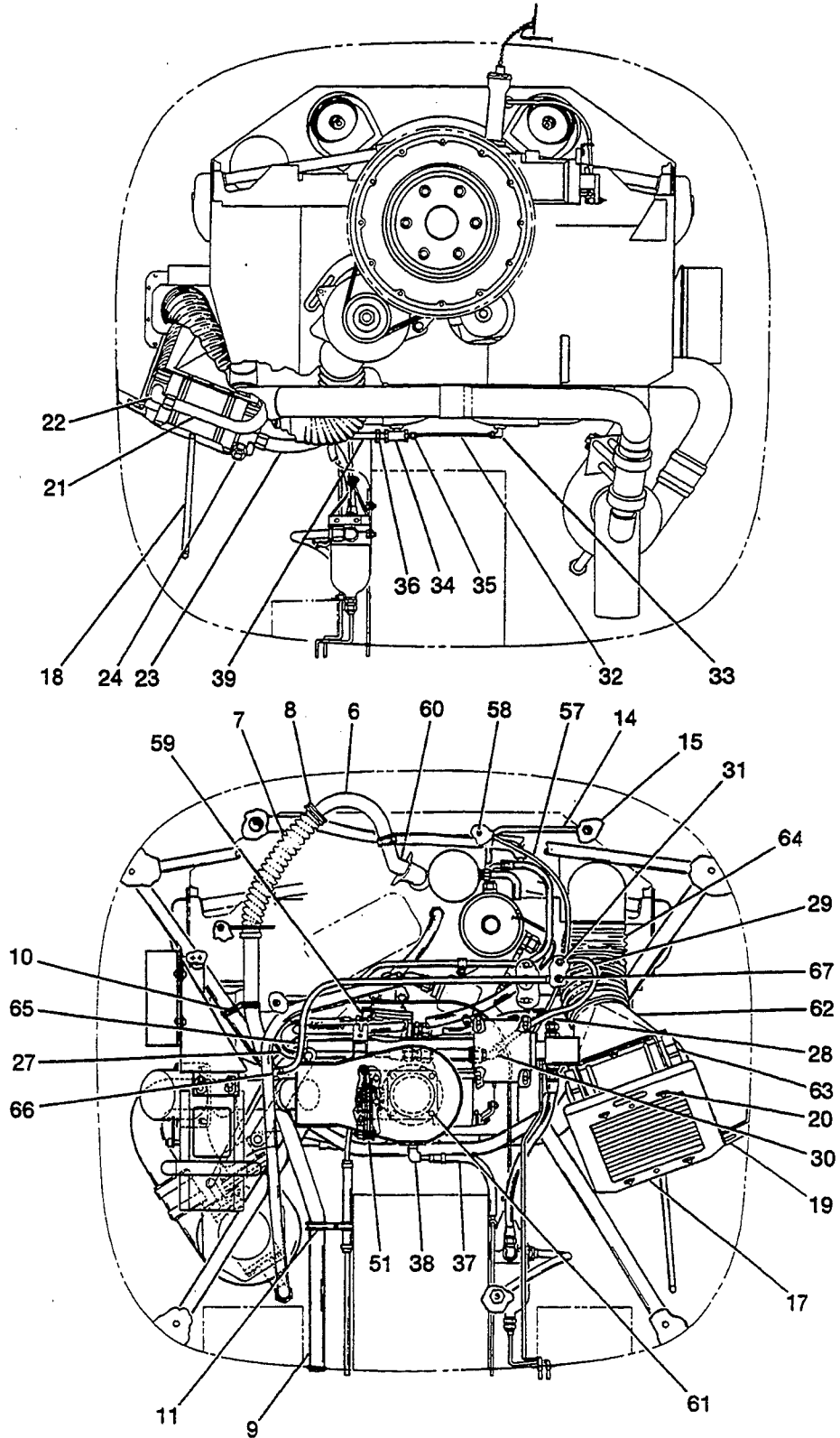


**T182 SERIAL 18267716 & ON**

Figure 128. (Sheet 1 of 2) Engine Assembly

# 182 & T182 Parts Catalog

Engine (Cont)



**T182 SERIAL 18267716 & ON**

Figure 128. (Sheet 2 of 2) Engine Assembly

# 182 & T182 Parts Catalog

FIGURE AND INDEX NO.	PART NUMBER	DESCRIPTION							UNITS PER ASSY	USABLE ON CODE
		1	2	3	4	5	6	7		
128 -26	SEE FIG 174	FUEL STRAINER & DRAIN CONTROL -----							1	
-27	S1129-6-0144	HOSE ASSY FUEL PUMP TO CARB -----							1	B
	2200001-61	TUBE ASSY FUEL PUMP TO CARB -----							1	C
		ATTACHING PARTS								
	MS21900D6	ADAPTER -----							1	
	MS28778-6	PACKING -----							1	B
	NAS1596-6	PACKING -----							1	C
	MS20823-6D	ELBOW -----							1	
		*-----								
-28	S2495-6-0150	HOSE ASSY AUX FUEL PUMP TO ENG DRIVEN PUMP -----							1	B
	S2495-6-0116	HOSE ASSY AUX FUEL PUMP TO ENG DRIVEN PUMP -----							1	C
		ATTACHING PARTS								
	MS21900D6	ADAPTER -----							1	B
	MS28778-6	PACKING -----							1	B
	AN922-6D	ELBOW -----							1	C
	AN924-6D	NUT -----							1	C
	NAS1596-6	PACKING -----							1	C
		*-----								
-29	S1129-3-0144	HOSE ASSY-FUEL PRESSURE CARB TO FIREWALL -----							1	B
	S2495-3-0144	HOSE ASSY-FUEL PRESSURE CARB TO FIREWALL -----							1	C
	2200001-32	LINE ASSY-FUEL PRESSURE FIREWALL TO GAGE -----							1	
		ATTACHING PARTS								
-30	AN912-1	REDUCER -----							1	
	0752037-3	ELBOW ASSY-RESTRICTOR -----							1	
-31	AN833-3	ELBOW -----							1	
	AN960-616	WASHER -----							1	
	AN924-3	NUT -----							1	
		*-----								
-32	2200001-41	LINE ASSY-MANIFOLD DRAIN -----							1	
-33	MS20822-2	ELBOW -----							1	
-34	2250026-1	RESTRICTOR ASSY-INTAKE MANIFOLD DRAIN -----							1	
-35	AN816-2D	NIPPLE -----							1	
-36	AN840-4D	ADAPTER -----							1	
-37	S307-7-0100	TUBE-RUBBER -----							1	
		ATTACHING PARTS								
	NAS397-8	CLAMP -----							2	
		*-----								
-38	2250117-1	ELBOW RESTRICTOR ASSY -----							1	
-39	S307-7-0140	TUBE-RUBBER -----							1	
		ATTACHING PARTS								
	NAS397-8	CLAMP -----							2	
		*-----								
-40	2110039-7	TUBE ASSY-MANIFOLD DRAIN -----							1	
-41	S307-7-0014	TUBE-RUBBER -----							1	
		ATTACHING PARTS								
	NAS397-8	CLAMP -----							2	
		*-----								
-42	2200001-43	LINE MANIFOLD DRAIN -----							1	
		ATTACHING PARTS								
	MS21919D62	CLAMP -----							2	
	AN520-10R14	SCREW -----							1	
	NAS43DD6-25	SPACER -----							1	
	AN960-10	WASHER -----							2	
	MS20364-1032C	NUT -----							2	
	AN520-10R8	SCREW -----							1	
		*-----								
-43	SEE FIG 176	PRIMER SYSTEM -----							1	
-44	S1951-5	VALVE ASSY-DRAIN -----							1	
-45	0412007-8	GROUND STRAP-BATTERY -----							1	
		ATTACHING PARTS								
-46	AN4-5A	BOLT -----							1	
	AN960-416	WASHER -----							1	
-47	MS21042L4	NUT -----							1	
		*-----								
-48	S2334-3	SENDING UNIT-CYLINDER HEAD TEMP REFER TO S/M FOR LOCATION -							1	
	AN900-6	GASKET -----							1	
-49	S2335-1	SENDING UNIT-OIL TEMP -----							1	
	AN900-10	GASKET -----							1	
-50	SEE FIG 138	TURBO CHARGER INSTALLATION -----							1	
-51	SEE FIG 139	THROTTLE CONTROL INSTALLATION -----							1	
-52	SEE FIG 140	WASTEGATE CONTROL INSTALLATION -----							1	

CONTINUED ON NEXT PAGE

# 182 & T182 Parts Catalog

FIGURE AND INDEX NO.	PART NUMBER	DESCRIPTION							UNITS PER ASSY	USABLE ON CODE
		1	2	3	4	5	6	7		
128 -53 -54	2250061-1	CAP ASSY-OIL FILLER -----							1	
	S2420-1	CHAIN 4.00 IN LG BKI REF S2420-1-4.00 -----							1	
	S2420-2	ATTACHING PARTS -----							2	
	AN535-4-4	COUPLING -----							1	
		SCREW -----							1	
		*-----								
-55	2200001-57	LINE ASSEMBLY-MANIFOLD PRESSURE ENGINE TO BAFFLE -----							1	
-56	S2478-1	ELBOW ASSY-MANIFOLD PRESSURE GAGE SNUBBER -----							1	
	AN960D716	WASHER -----							1	
	AN924-4D	NUT -----							1	
-57	S2495-4-0202	HOSE ASSY-MANIFOLD PRESSURE BAFFLE TO FIREWALL -----							1	
		ATTACHING PARTS -----								
	2250151-1	BRACKET -----							1	
	MS21919DG11	CLAMP -----							1	
	AN520-10R8	SCREW -----							1	
	MS20365-1032C	NUT -----							1	
		*-----								
-58	AN837-4	ELBOW -----							1	
	AN960-716	WASHER -----							1	
	AN924-4	NUT -----							1	
-59	MS20822-4	ELBOW -----							1	
-60	MS20823-16-12	ELBOW -----							1	
-61	0550209-1	PROBE-CARBURETOR AIR TEMP -----							1	
-62	2250132-1	DIFFUSER ASSY-INLET -----							1	
		ATTACHING PARTS -----								
-63	1650052-5	BRACKET ASSY -----							2	
	NAS680A3	NUTPLATE -----							2	
	AN3-4A	BOLT -----							4	
	AN3-42A	BOLT -----							4	
	AN960-10	WASHER -----							8	
	1650082-1	SHIM -----							AR	
		*-----								
-64	S1053K32T14	DUCT -----							1	
		ATTACHING PARTS -----								
	S1891-64	CLAMP -----							2	
		*-----								
-65	S1236C3-0205	HOSE ASSY-DECK PRESSURE -----							1	
		ATTACHING PARTS -----								
-66	0752037-3	ELBOW ASSY -----							1	
-67	AN833-3	ELBOW -----							1	
	AN960-616	WASHER -----							2	
	AN924-3	NUT -----							1	
	MS21919DG7	CLAMP -----							1	
		*-----								
<p>NOTE. *FOR DETAILS OF THIS GOVERNOR REFER TO APPLICABLE LYCOMING MANUAL.</p> <p>A---T182 SERIAL 18267716 &amp; ON            B---T182 SERIAL 18267716 THRU 18268077            C---T182 SERIAL 18268078 &amp; ON</p>										



# 182 & T182 Parts Catalog

FIGURE AND INDEX NO.	PART NUMBER	DESCRIPTION							UNITS PER ASSY	USABLE ON CODE	
		1	2	3	4	5	6	7			
129 -		ENGINE COMPONENTS & ASSOCIATED PARTS 0-470-R, S & U ENGINES							NP		
- 1	625765	MAGNETO CM SLICK 662							2	E	
	642306	MAGNETO CM SLICK 6210							2		
- 2	534750	GASKET-MAGNETO TO CRANKCASE CM							1	E	
- 3	629076	MAGNETO DRIVE GEAR CM							1		
- 4	633311	IGNITION HARNESS COMPLETE					CM	SLICK	1	E	
	643228	IGNITION HARNESS COMPLETE					CM	SLICK	1		
- 5	627392	OIL COOLER HARRISON					CM		1	E	
- 6	631095	OIL COOLER MODINE					CM		1		
- 7	639171	OIL COOLER-LARGE NONCONGEALING					CM		1	E	
- 8	626332	PLATE-OIL COOLER CM					USED WITH NONCONGEALING COOLER		1		
- 9	626342	GASKET-OIL COOLER TO PLATE					CM	FOR NONCONGEALING COOLER	1	E	
- 10	626341	GASKET-PLATE TO CRANKCASE					CM	FOR NONCONGEALING COOLER	1		
- 11	625017	GASKET-COOLER TO PLATE					CM	STANDARD COOLER	1	E	
- 12	625303	GASKET-CRANKCASE TO COOLER					CM	STANDARD COOLER	1		
- 13	C611501-0102	ALTERNATOR-60 AMP 14 VOLT					SEE FIG 98		1	A	
	C611503-0102	ALTERNATOR 60 AMP 28 VOLT					SEE FIG 98		1		
- 14	S1597-1-30.8	ALTERNATOR DRIVE BELT							1	B	
- 15		DELETED									
- 16	538076	BEVEL GEAR-GOVERNOR DRIVE					CM		1	A	
- 17	629176	STARTER-12 VOLT HEAVY DUTY					CM	DELCO	1		
	634592	STARTER-12 VOLT HEAVY DUTY					CM	PRESTOLITE	1	A	
	637847	STARTER-24 VOLT HEAVY DUTY					CM		1		
- 18	MS9021-038	ORING-STARTER TO ENGINE							1	B	
- 19	0750142-1	GASKET-CARBURETOR AIR BOX TO CARBURETOR							1		
- 20	641139	CARBURETOR CM MARVEL SCHEBLER TYPE MA4-5							1	B	
	641860	O-470-R & -S ONLY CARBURETOR CM MARVEL SCHEBLER TYPE MA4-5							1		
- 21	35985	O-470-U ONLY GASKET-CARBURETOR TO ENGINE							CM	1	B
- 22	0750038-4	AIR FILTER-CARBURETOR DONALDSON P10-6150							1		
- 23	0750038-3	GASKET-AIR FILTER DONALDSON P-100232							1	B	
- 24	EM41E	SPARK PLUG-18MM CHAMPION							1		
	S88	SPARK PLUG-18MM AC							1	B	
- 25	C161031-0101	GOVERNOR-PROPELLER							1		
	C161040-0103	GOVERNOR-PROPELLER ALT FOR C161031-0101							1	C	
	C161031-0107	GOVERNOR-PROPELLER							1		

NOTE. \*THIS FIGURE IS NOT ILLUSTRATED.

THIS LISTING IS COMPILED TO PROVIDE PART NUMBERS OF COMMONLY USED ENGINE COMPONENTS AND ASSOCIATED ACCESSORIES. RELATIONSHIP OF THESE PARTS TO ENGINE OR AIRCRAFT ASSEMBLIES IS NOT INDICATED BY INDENTATION.

INDEX NUMBERS ARE PROVIDED FOR LOCATION OF LINE ON WHICH PART NUMBER APPEARS.

FOR ENGINE COMPONENTS NOT LISTED ON THIS FIGURE REFER TO CONTINENTAL PARTS CATALOG.

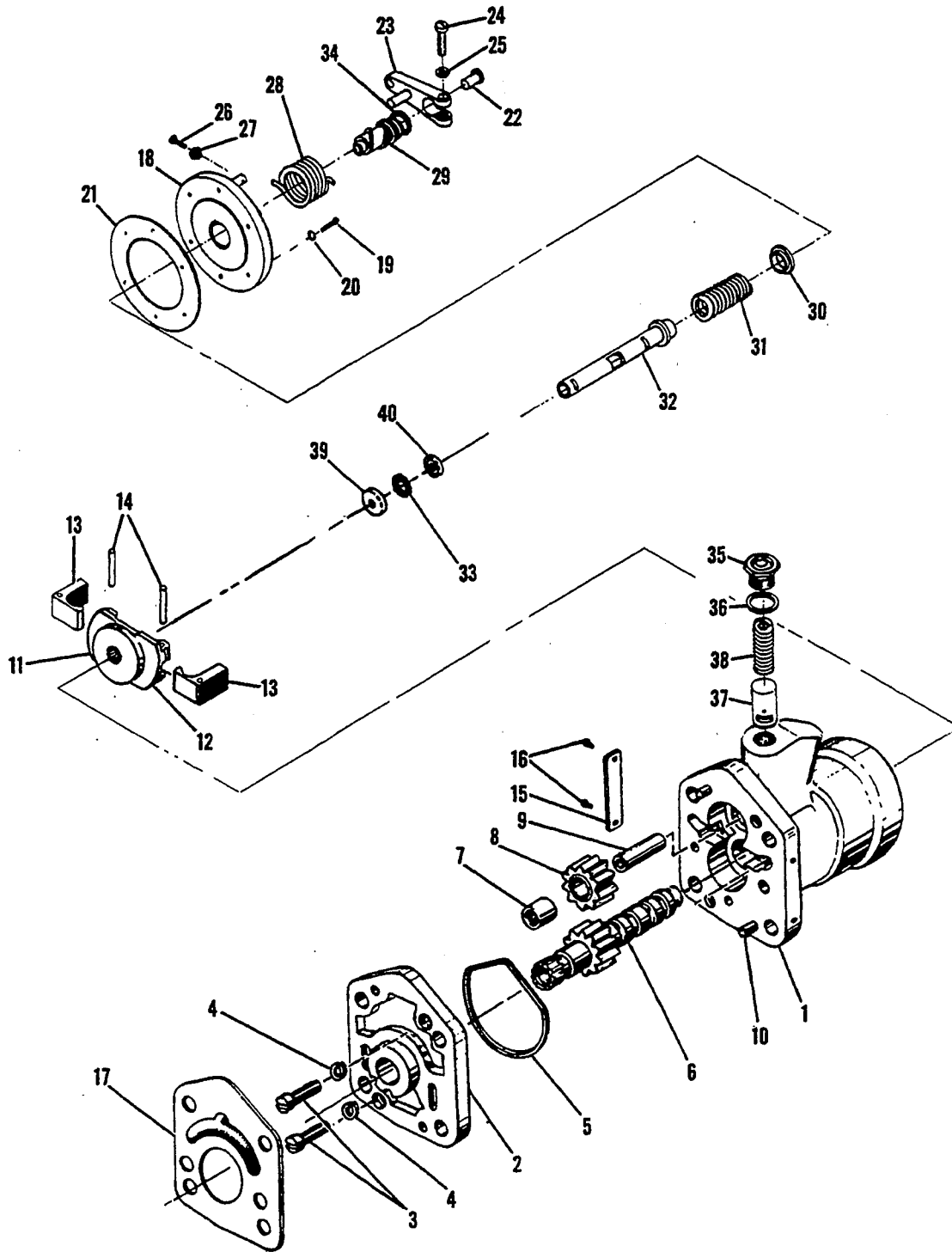
- A---182 SERIAL 18262466 THRU 18265965  
F182 SERIAL F18200001 THRU F18200064
- B---182 SERIAL 18265966 & ON  
F182 SERIAL F18200065 THRU F18200169
- C---182 SERIAL 18262466 THRU 18265175  
F182 SERIAL F18200001 THRU F18200025
- D---182 SERIAL 18265176 & ON  
F182 SERIAL F18200026 THRU F18200169
- E---182 SERIAL 18262466 THRU 18267300  
F182 SERIAL F18200001 THRU F18200129
- F---182 SERIAL 18267301 & ON  
F182 SERIAL F18200130 THRU F18200169
- G---182 SERIAL 18265966 THRU 18266590
- H---182 SERIAL 18266591 & ON

# 182 & T182 Parts Catalog

FIGURE AND INDEX NO.	PART NUMBER	DESCRIPTION							UNITS PER ASSY	USABLE ON CODE
		1	2	3	4	5	6	7		
130 -		ENGINE COMPONENTS & ASSOCIATED PARTS 0-540L3C5D -----							NP	A
- 1	LW-682560-11	MAGNETO IGNITION SYSTEM LY D3000 -----							1	C
- 2	LW-382560-11	MAGNETO LY D2000 -----							1	B
- 3	LW-684602-303	HARNES-IGNITION LY -----							1	
- 4	LW-12681	GASKET-MAGNETO TO CRANKCASE -----							1	
- 5	10614A	OIL COOLER WEU 10614R -----							1	D
	10614R	OIL COOLER -----							1	E
- 6	C611503-0102	ALTERNATOR 60 AMP 28 VOLT -----							1	
- 7	C611505-0102	ALTERNATOR 95 AMP 28 VOLT -----							1	
- 8	S1597-1-37.5	BELT-ALTERNATOR USED WITH 60 AMP ALTERNATOR -----							1	
- 9	S1597-1-38.5	BELT-ALTERNATOR USED WITH 95 AMP ALTERNATOR -----							1	
-10	LW-15572	STARTER-24 VOLT LY -----							1	
-11	LW-18987	CARBURETOR TYPE HA6 LY -----							1	
-12	C294510-0901	AIR FILTER ASSY-CARBURETOR -----							1	
-13	C291504-0202	FUEL PUMP-ELECTRIC -----							1	
-14	C161031-0113	GOVERNOR-PROPELLER -----							1	
-15	72053	GASKET-PROP GOVERNOR LY -----							1	
-16	SEE FIG 180	VACUUM PUMP -----							1	
-17	1182-W5	SPARK PLUG CHAMPION RHB37E -----							AR	
-18	LW-14975	GAGE ASSY-OIL LEVEL LY -----							1	
<p><b>NOTE. *THIS FIGURE IS NOT ILLUSTRATED</b></p> <p>THIS LISTING IS COMPILED TO PROVIDE PART NUMBERS OF COMMONLY USED ENGINE COMPONENTS &amp; ASSOCIATED ACCESSORIES. RELATIONSHIP OF THESE PARTS TO ENGINE OR AIRCRAFT ASSEMBLIES IS NOT INDICATED BY INDENTATION.</p> <p>INDEX NUMBERS ARE PROVIDED FOR LOCATION OF LINE ON WHICH PART NUMBER APPEARS.</p> <p>FOR ENGINE COMPONENTS NOT LISTED ON THIS FIGURE REFER TO LYCOMING PARTS CATALOG.</p> <p>A---T182 SERIAL 18267716 &amp; ON            B---T182 SERIAL 18267716 THRU 18267994            C---T182 SERIAL 18267995 &amp; ON            D---T182 SERIAL 18267716 THRU 18268312            E---T182 SERIAL 18268313 &amp; ON</p>										

# 182 & T182 Parts Catalog

Engine (Cont)



182 SERIAL 18262466 THRU 18265175  
F182 SERIAL F18200001 THRU F18200025  
Figure 131. Propeller Governor Assembly - Alternate

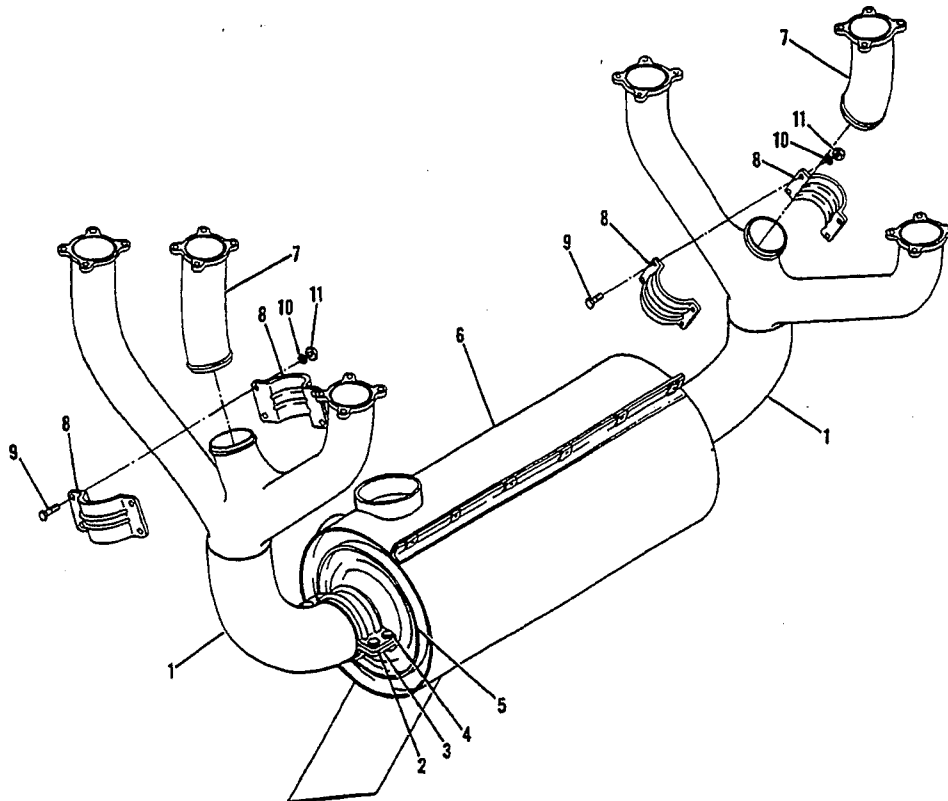
# 182 & T182 Parts Catalog

FIGURE AND INDEX NO.	PART NUMBER	DESCRIPTION							UNITS PER ASSY	USABLE ON CODE
		1	2	3	4	5	6	7		
131 -	C161040-0103	GOVERNOR ASSY-PROPELLER ALTERNATE -----							1	A
- 1	210253	BODY-GOVERNOR WGV -----							1	
- 2	213214	BASE-GOVERNOR WGV -----							1	
		ATTACHING PARTS								
- 3	189744	SCREW WGV -----							2	
- 4	218547	WASHER WGV -----							2	
- 5	206336	O-RING WGV -----							1	
		*-----								
- 6	210396	GEAR-PUMP DRIVE WGV -----							1	
- 7	210036	BEARING-NEEDLE WGV -----							1	
- 8	204864	GEAR-PUMP IDLER WGV -----							1	
- 9	210031	STUD-IDLER GEAR WGV -----							1	
-10	210261	PIN-DOWELL WGV -----							2	
-11	210382	HEAD ASSY-FLY WEIGHT WGV -----							1	
-12	210393	HEAD-FLYWEIGHT WGV -----							1	
-13	196195	FLYWEIGHT WGV -----							1	
-14	214202	PIN-FLYWEIGHT WGV -----							1	
	210394	KEEPER WGV -----							1	
-15	193385	NAMEPLATE WGV -----							1	
		ATTACHING PARTS								
-16	189574	PIN-DRIVE WGV -----							2	
		*-----								
-17	MS100009	GASKET-MOUNTING -----							1	
-18	210399	COVER-GOVERNOR WGV -----							1	
		ATTACHING PARTS								
-19	189482	SCREW -----							4	
-20	189739	WASHER -----							4	
-21	206337	GASKET COVER WGV -----							1	
		*-----								
-22	210293	PLUG-SPEED ADJUSTMENT WGV -----							1	
-23	210039	LEVER ASSY-SPEED ADJUSTMENT WGV -----							1	
-24	188434	SCREW WGV -----							1	
-25	188141	WASHER WGV -----							1	
-26	218537	SCREW WGV -----							1	
-27	188302	NUT WGV -----							1	
-28	191869	SPRING-LEVER CONTROL WGV -----							1	
-29	213201	SHAFT AND WORM ASSY-SPEED ADJUSTMENT WGV -----							1	
-30	210326	SEAT-SPEEDER SPRING WGV -----							1	
-31	192709	SPRING-SPEEDER WGV -----							1	
-32	210398	PLUNGER ASSY-PILOT VALVE WGV -----							1	
-33	180231	BEARING-PILOT VALVE WGV -----							1	
-34	182747	O-RING WGV -----							1	
-35	218446	PLUG-RELIEF VALVE WGV -----							1	
-36	186320	GASKET WGV -----							1	
-37	210257	PLUNGER-RELIEF VALVE WGV -----							1	
-38	192558	SPRING-RELIEF VALVE WGV -----							1	
-39	213200	RACE-PILOT VALVE BEARING LOWER WGV -----							1	
-40	210216	RACE-PILOT VALVE BEARING UPPER WGV -----							1	

A---182 SERIAL 18262466 THRU 18265175  
 F182 SERIAL F18200001 THRU F18200025

# 182 & T182 Parts Catalog

Engine (Cont)



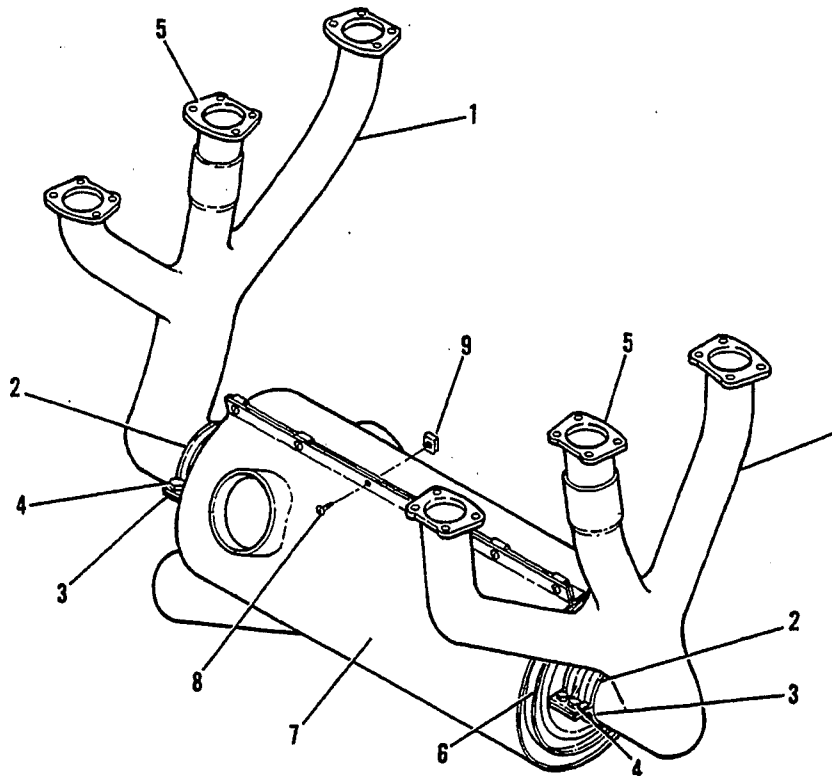
**182 SERIAL 18262466 THRU 18264230**

Figure 132. Engine Exhaust Assembly

FIGURE AND INDEX NO.	PART NUMBER	DESCRIPTION	UNITS PER ASSY							USABLE ON CODE
			1	2	3	4	5	6	7	
132 -		EXHAUST ASSEMBLY-ENGINE -----							1	A
- 1		STACK ASSEMBLY-EXHAUST -----							2	
		ATTACHING PARTS -----								
- 2	0750161-24	CLAMP ASSEMBLY-UPPER -----							1	
- 3	0750161-22	CLAMP HALF-LOWER -----							1	
- 4	AN3-4A	BOLT -----							4	
	MS21044N3	NUT -----							4	
		-----								
- 5	0750161-86	MUFFLER WELD ASSEMBLY-EXHAUST -----							1	
- 6	0750161-82	SHROUD ASSEMBLY-EXHAUST MUFFLER WEU 0750161-87 -----							1	
	0750161-87	SHROUD ASSEMBLY-EXHAUST MUFFLER -----							1	
		ATTACHING PARTS -----								
	S102178-8	SCREW -----							6	
	NAS395-12-3	NUT -----							6	
		-----								
- 7	0750161-36	PIPE ASSEMBLY-EXHAUST -----							2	
		ATTACHING PARTS -----								
- 8	0750161-25	CLAMP-HALF -----							2	
- 9	AN3-4A	BOLT -----							4	
- 10	AN960-10	WASHER -----							4	
- 11	MS21045L3	NUT -----							4	
		-----								
		NOTE. *THESE PARTS ARE NO LONGER AVAILABLE. SEE FIGURE 133 FOR AVAILABLE SPARES.								
		A---182 SERIAL 18262466 THRU 18264230								

# 182 & T182 Parts Catalog

Engine (Cont)



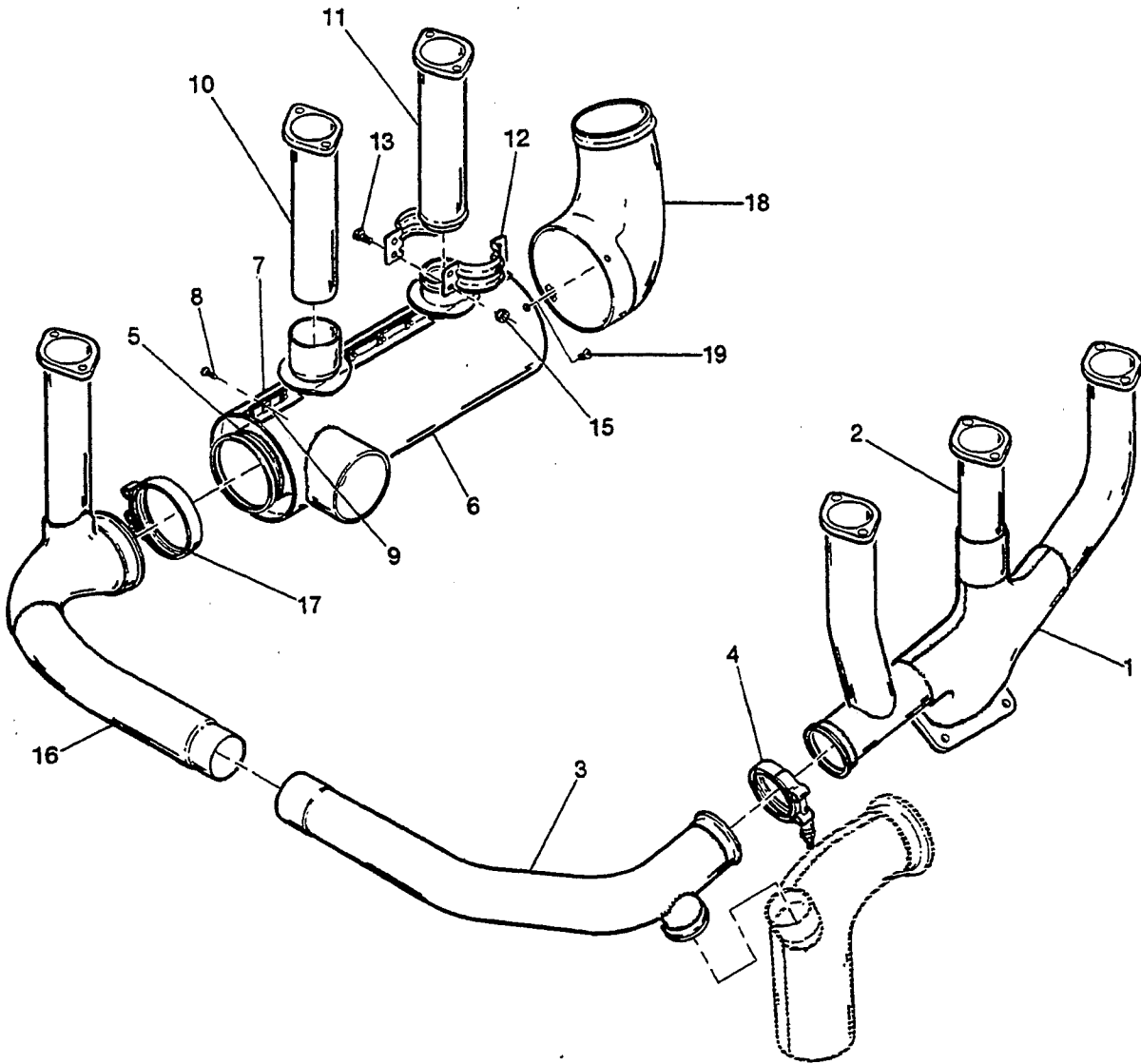
## 182 SERIAL 18264231 & ON F182 SERIAL F1820001 THRU F18200169

Figure 133. Engine Exhaust Assembly

FIGURE AND INDEX NO.	PART NUMBER	DESCRIPTION							UNITS PER ASSY	USABLE ON CODE
		1	2	3	4	5	6	7		
133		EXHAUST ASSEMBLY-ENGINE -----							1	A
- 1	0750238-21 0750238-20	STACK ASSY-EXHAUST -----							2	
		ATTACHING PARTS -----								
- 2	0750161-24	CLAMP HALF -----							1	
- 3	0750161-22	CLAMP HALF -----							1	
- 4	AN3-4A MS20365-1032C	BOLT -----							4	
		NUT -----							4	
		*-----								
- 5	0750238-5	STACK ASSY-CENTER -----							1	
- 6	0750161-89	MUFFLER ASSEMBLY-EXHAUST -----							1	
- 7	0750161-82 0750161-87	SHROUD ASSY-EXHAUST MUFFLER WEU 0750161-87 -----							1	
		SHROUD ASSY-EXHAUST MUFFLER -----							1	
		ATTACHING PARTS -----								
- 8	S102178-8	SCREW -----							6	
- 9	NAS395-12-13	NUT -----							6	
		*-----								
A---182 SERIAL 18264231 & ON F182 SERIAL F1820001 THRU F18200169										

# 182 & T182 Parts Catalog

Engine (Cont)



**T182 SERIAL 18267716 & ON**

Figure 134. Engine Exhaust Assembly

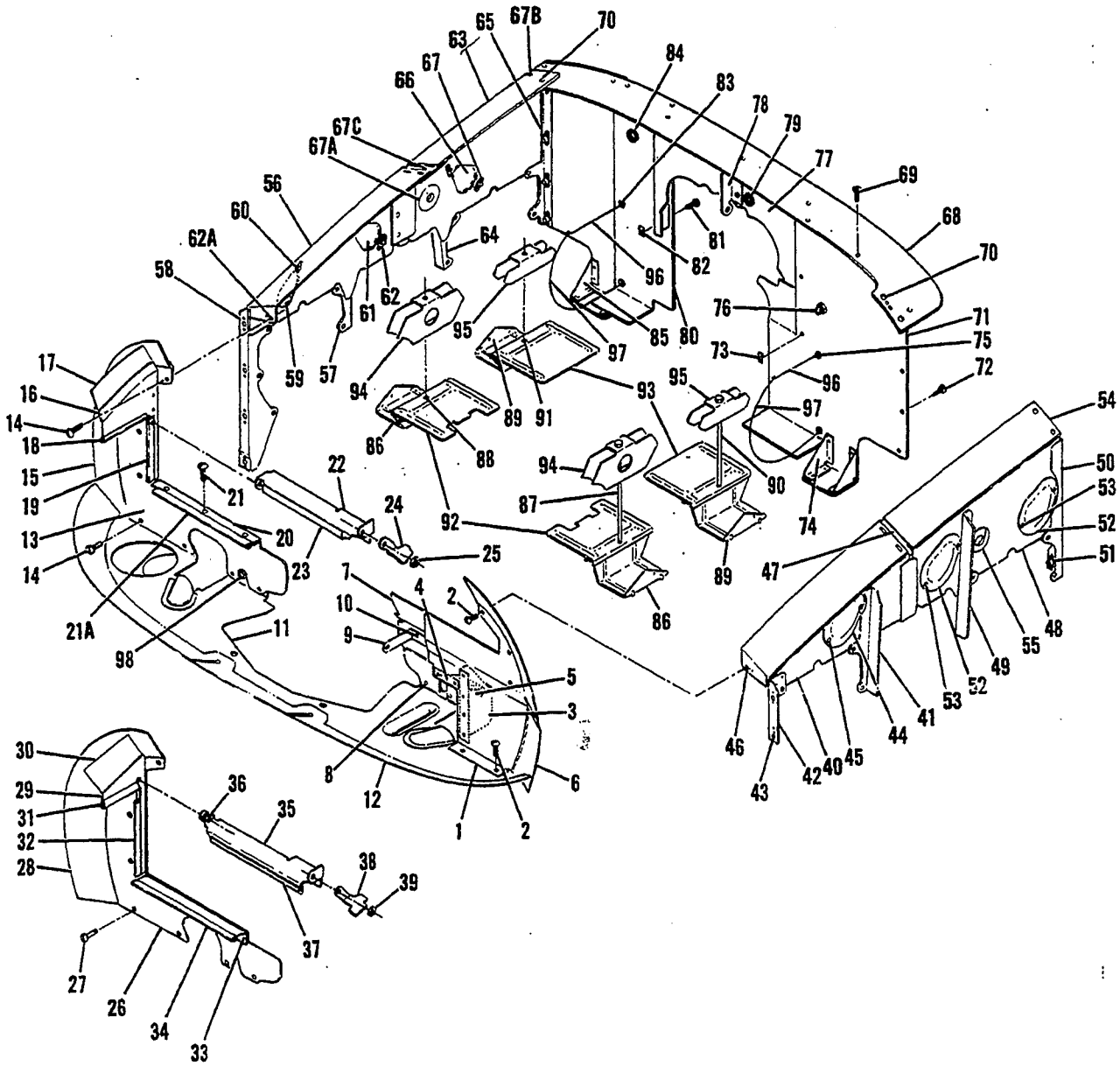
# 182 & T182 Parts Catalog

FIGURE AND INDEX NO.	PART NUMBER	DESCRIPTION							UNITS PER ASSY	USABLE ON CODE
		1	2	3	4	5	6	7		
134 -		EXHAUST SYSTEM ASSY-TURBOCHARGED ENGINE -----							NP	A
- 1	2254012-1	EXHAUST STACK ASSY-LH WEU 2254012-3 -----							1	B
	2254012-3	EXHAUST STACK ASSY-LH -----							1	C
- 2	2254005-1	RISER ASSY-EXHAUST -----							1	
- 3	2254008-4	CROSSOVER ASSY-FWD LH WEU 2254008-7 -----							1	B
	2254008-7	CROSSOVER ASSY-FWD LH -----							1	C
		ATTACHING PARTS								
- 4	24540-200	COUPLING MDAQ -----							1	
		*-----								
	2254011-1	HEATER & CROSSOVER ASSY-RH -----							1	
- 5	2254015-1	CORE ASSY-HEATER -----							1	
- 6	2254016-17	SHROUD HALF ASSY-HEATER INBD -----							1	
- 7	2254016-16	SHROUD HALF ASSY-HEATER OUTBD -----							1	
		ATTACHING PARTS								
- 8	AN515-8R8	SCREW -----							11	
- 9	NAS395-11-3	NUT -----							11	
		*-----								
-10	2254005-3	RISER ASSY-EXHAUST -----							1	
-11	2254005-5	RISER ASSY-EXHAUST -----							1	
		ATTACHING PARTS								
-12	1250860-29	CLAMP HALF ASSY -----							2	
-13	AN3-4A	BOLT -----							4	
-14		DELETED NOT USED -----								
-15	MS20365-1032C	NUT -----							4	
		*-----								
-16	2254013-1	RISER & CROSSOVER ASSY-FWD RH WEU 2254013-3 -----							1	B
	2254013-3	RISER & CROSSOVER ASSY-FWD RH -----							1	C
		ATTACHING PARTS								
-17	24540-300	COUPLING MDAQ -----							1	
	U3356S1-300	COUPLING ALT -----							1	
		*-----								
-18	2254014-1	DUCT ASSY-HEATER OUTLET -----							1	
		ATTACHING PARTS								
-19	AN525-832R8	SCREW -----							4	
		*-----								
		A---T182 SERIAL 18267716 & ON								
		B---T182 SERIAL 18267716 THRU 18268574								
		C---T182 SERIAL 18268575 & ON								



# 182 & T182 Parts Catalog

Engine (Cont)



**182 SERIAL 18262466 & ON**  
**F182 SERIAL F1820001 THRU F18200169**

Figure 135. Engine Baffles Installation

# 182 & T182 Parts Catalog

FIGURE AND INDEX NO.	PART NUMBER	DESCRIPTION							UNITS PER ASSY	USABLE ON CODE
		1	2	3	4	5	6	7		
135 -		BAFFLES INSTALLATION-ENGINE -----							NP	A
- 1	0755005-1	BAFFLE ASSY-FRONT LH -----							1	B
	0755005-9	BAFFLE ASSY-FRONT LH -----							1	C
		ATTACHING PARTS								
- 2	AN525-10R6	SCREW -----							5	
		-----*								
- 3	0755005-3	BAFFLE -----							1	
- 4	0755005-4	BAFFLE -----							1	
- 5	0755005-5	BRACKET -----							1	
- 6	0755005-6	SEAL -----							1	
- 7	0755007-1	BAFFLE ASSY-FWD LOWER LH -----							1	B
	0755007-3	BAFFLE ASSY-FWD LOWER LH -----							1	C
		ATTACHING PARTS								
- 8	AN525-10R6	SCREW -----							2	
		-----*								
	NAS680A3	NUTPLATE -----							2	
- 9	1250966-3	BRACKET -----							1	
		ATTACHING PARTS								
-10	AN525-10R6	SCREW -----							2	
		-----*								
-11	0755001-21	BAFFLE ASSY-HORIZONTAL -----							1	B
	0755001-39	BAFFLE ASSY-HORIZONTAL -----							1	C
	NAS682A3	NUTPLATE -----							4	
	NAS684A3	NUTPLATE -----							1	
	NAS680A3	NUTPLATE -----							2	
-12	0755001-23	SEAL-HORIZONTAL -----							1	
-13	0755001-24	BAFFLE ASSY-FWD RH -----							1	
		ATTACHING PARTS								
-14	AN525-10R6	SCREW -----							8	
		-----*								
-15	0755001-25	SEAL-FWD RH -----							1	
	NAS680A3	NUTPLATE -----							3	
-16	0755001-28	BAFFLE-FWD RH TOP -----							1	
-17	0755001-27	SEAL -----							1	
-18	S202R0330B	CHANNEL -----							1	
-19	S202R0420B	CHANNEL -----							1	
-20	0755009-1	BAFFLE ASSY-FWD LOWER -----							1	
		ATTACHING PARTS								
-21	AN525-10R6	SCREW -----							3	
		-----*								
-21A	S202R0715B	MOLDING -----							1	
-22	0755010-1	BAFFLE ASSY-OIL COOLER UPPER AFT -----							1	
		ATTACHING PARTS								
	AN525-832R6	SCREW -----							1	
		-----*								
	NAS684A08	NUTPLATE -----							1	
-23	S202RB	CHANNEL -----							1	
-24	0750152-1	BAFFLE-OIL COOLER INBD -----							1	
-25	AN960-416L	WASHER -----							1	
-26	0755001-30	BAFFLE ASSY-FWD RH NON CONGEALING OIL COOLER -----							1	
		ATTACHING PARTS								
-27	AN525-10R6	SCREW -----							8	
		-----*								
	NAS680A08	NUTPLATE -----							2	
	NAS682A08	NUTPLATE -----							1	
-28	0755001-25	SEAL-RH FWD -----							1	
-29	0755012-1	BAFFLE ASSY-NON CONGEALING OIL COOLER -----							1	
-30	0755012-4	SEAL -----							1	
-31	S202R0265B	CHANNEL -----							1	
-32	S202R0485B	CHANNEL -----							1	
-33	0755012-2	BAFFLE ASSY -----							1	
		ATTACHING PARTS								
	AN525-832R6	SCREW -----							3	
		-----*								
-34	R581462	CHANNEL -----							1	
-35	0755011-1	BAFFLE ASSY-NON CONGEALING OIL COOLER -----							1	
		ATTACHING PARTS								
	AN525-832R6	SCREW -----							1	
		-----*								
-36	NAS696A08	NUTPLATE -----							1	
-37	S202R0710B	CHANNEL -----							1	

CONTINUED ON NEXT PAGE

# 182 & T182 Parts Catalog

FIGURE AND INDEX NO.	PART NUMBER	DESCRIPTION							UNITS PER ASSY	USABLE ON CODE
		1	2	3	4	5	6	7		
135 -38	0750152-3	BAFFLE-NON CONGEALING OIL COOLER -----							1	
-39	AN960-416L	WASHER -----							1	
-40	0755040-1	BAFFLE ASSY-LH FWD VERTICAL -----							1	
-41	1250969-7	BRACKET-SIDE SUPPORT AFT -----							1	
-42	0755006-1	BRACKET ASSY-FWD SUPPORT -----							1	
-43	NAS682A3	NUTPLATE -----							1	
	NAS680A3	NUTPLATE -----							1	
-44	1250961-6	CUP -----							1	
		ATTACHING PARTS								
-45	AN525-832R8	SCREW -----							2	
	NAS680A08	NUTPLATE -----							2	
		*-----								
-46	NAS682A3	NUTPLATE -----							1	
-47	0755045-1	SEAL -----							1	
-48	0755040-3	BAFFLE ASSY-LH AFT VERTICAL -----							1	
-49	0755046-1	BRACKET-SIDE SUPPORT FWD -----							1	
-50	0755003-15	BRACKET ASSY-AFT SUPPORT -----							1	
	S1862-2	NUTPLATE -----							1	
-51	S1862-3	NUTPLATE -----							3	
-52	1250961-5	CUP -----							2	
		ATTACHING PARTS								
-53	AN525-832R8	SCREW -----							2	
	NAS680A08	NUTPLATE -----							2	
		*-----								
-54	NAS1067A08	NUTPLATE -----							1	
-55	MS35489-15S	GROMMET -----							1	
-56	0755040-2	BAFFLE ASSY-RH FWD VERTICAL -----							1	
-57	0755046-1	BRACKET-SIDE SUPPORT AFT -----							1	
-58	0755008-1	BRACKET ASSY-FWD SUPPORT -----							1	
	NAS680A3	NUTPLATE -----							3	
	NAS684A3	NUTPLATE -----							1	
-59	1250961-7	CUP -----							1	
		ATTACHING PARTS								
-60	AN525-832R6	SCREW -----							2	
	NAS682A08	NUTPLATE -----							1	
	NAS680A08	NUTPLATE -----							1	
		*-----								
-61	1250961-5	CUP -----							1	
		ATTACHING PARTS								
-62	AN525-832R8	SCREW -----							2	
	NAS680A08	NUTPLATE -----							2	
		*-----								
-62A	NAS682A3	NUTPLATE -----							1	
-63	0755040-4	BAFFLE ASSY-RH AFT VERTICAL -----							1	
-64	1250969-6	BRACKET-SIDE SUPPORT FWD -----							1	
-65	0755003-16	BRACKET ASSY-AFT SUPPORT -----							1	
	S1862-2	NUTPLATE -----							2	
	S1862-3	NUTPLATE -----							2	
-66	1250969-5	CUP -----							1	
		ATTACHING PARTS								
-67	AN525-832R8	SCREW -----							2	
	NAS680A08	NUTPLATE -----							2	
		*-----								
-67A	MS35489-15S	GROMMET -----							1	
-67B	NAS681A08	NUTPLATE -----							1	
-67C	0755045-1	SEAL -----							1	
-68	0755004-9	CAP ASSY -----							1	
		ATTACHING PARTS								
-69	AN507-832R6	SCREW -----							10	
		*-----								
-70	NAS683A08	NUTPLATE -----							2	
-71	0755004-3	BAFFLE ASSY-LH AFT -----							1	
		ATTACHING PARTS								
-72	S1021Z8-6	SCREW -----							7	
-73	NAS446-4-3	NUT -----							3	
		*-----								
-74	0750128-11	GUSSET -----							2	
-75	MS20230B20	GROMMET -----							2	
-76	AN832-2D	UNION -----							1	
	AN960D516	WASHER -----							1	
	AN924-2D	NUT -----							1	

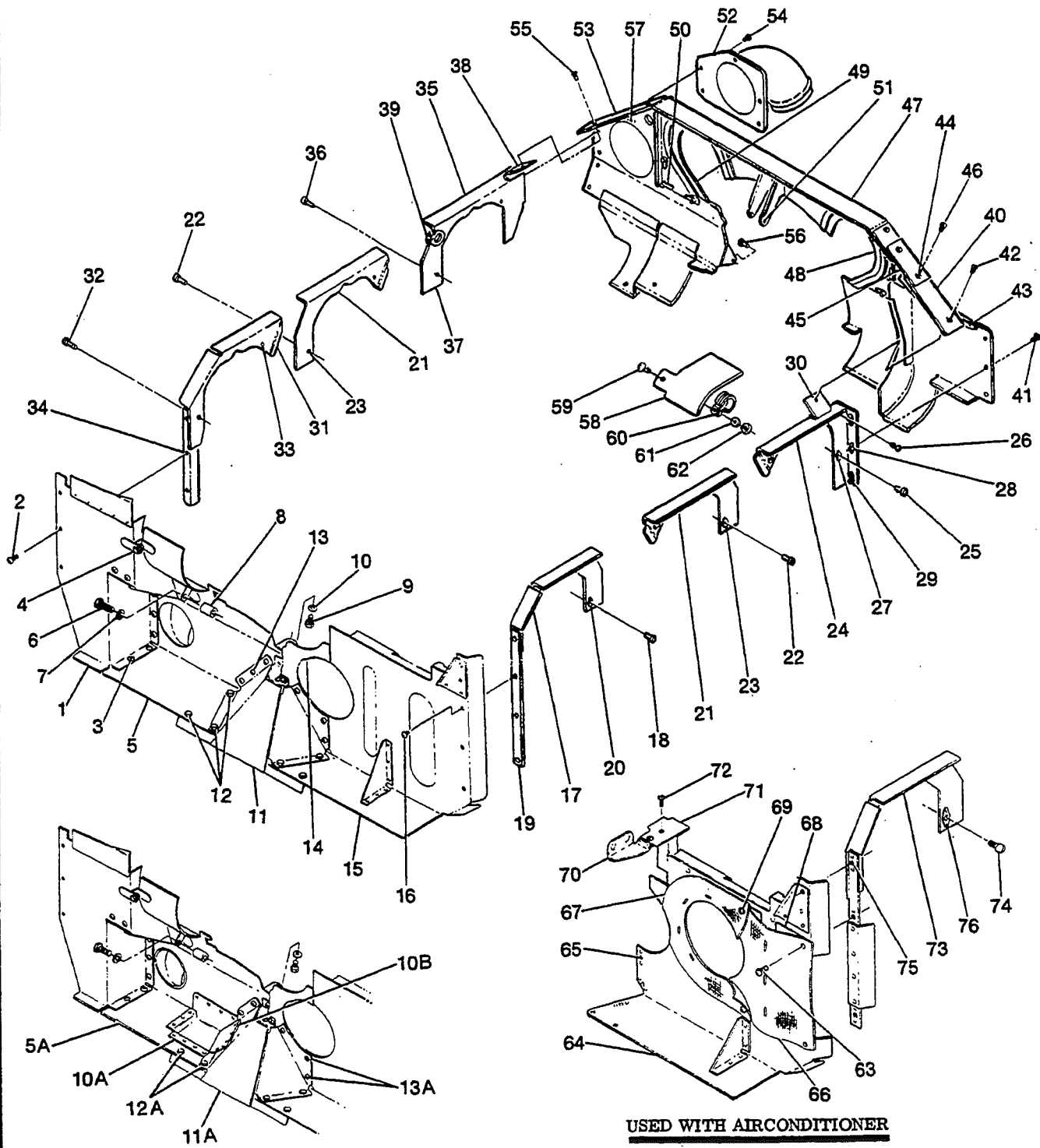
CONTINUED ON NEXT PAGE

# 182 & T182 Parts Catalog

FIGURE AND INDEX NO.	PART NUMBER	DESCRIPTION							UNITS PER ASSY	USABLE ON CODE
		1	2	3	4	5	6	7		
135 -77	0755004-2	BAFFLE ASSY-CENTER AFT -----							1	
	NAS681A08	NUTPLATE -----							1	
	NAS683A08	NUTPLATE -----							2	
	-78 0750117-21	BRACKET -----							1	
	-79 MS35489-118	GROMMET -----							1	
	-80 0755004-6	BAFFLE ASSY-RH AFT -----							1	
		ATTACHING PARTS -----								
	-81 S102128-6	SCREW -----							7	
	-82 NAS446-4-3	NUT -----							3	
		*-----								
	-83 MS20230B20	GROMMET -----							2	
	-84 MS35489-20S	GROMMET -----							1	
	-85 0750128-11	GUSSET -----							2	
	NAS683A08	NUTPLATE -----							4	
	-86 0750135-1	BAFFLE ASSY-INNER CYLINDER FWD -----							2	
		ATTACHING PARTS -----								
	-87 AN3-67A	BOLT -----							1	
		*-----								
	-88 NAS686A3	NUTPLATE -----							1	
	-89 0750135-1	BAFFLE ASSY-INNER CYLINDER AFT -----							2	
	ATTACHING PARTS -----									
-90 AN3-60A	BOLT -----							1		
	*-----									
-91 NAS686A3	NUTPLATE -----							1		
-92 0750135-3	BAFFLE-INNER CYLINDER FWD -----							2		
-93 0750135-4	BAFFLE-INNER CYLINDER AFT -----							2		
-94 0851700-96	SUPPORT-FWD BAFFLE -----							2		
-95 0750117-31	SUPPORT-AFT BAFFLE -----							2		
-96 0450277-3	FASTENER-REAR BAFFLE TO CYLINDER UPPER -----							2		
-97 0450277-2	FASTENER-REAR BAFFLE TO CYLINDER LOWER -----							2		
-98 MS35489-7S	GROMMET -----							1		
		A---182 SERIAL 18262466 & ON F182 SERIAL F18200001 THRU F18200169 B---182 SERIAL 18262466 THRU 18265175 F182 SERIAL F18200001 THRU F18200025 C---182 SERIAL 18265176 & ON F182 SERIAL F18200026 THRU F18200169								

# 182 & T182 Parts Catalog

Engine (Cont)



**T18268030 & ON**

**T182 SERIAL 18267716 & ON**

Figure 136. Engine Baffles Installation

# 182 & T182 Parts Catalog

FIGURE AND INDEX NO.	PART NUMBER	DESCRIPTION							UNITS PER ASSY	USABLE ON CODE
		1	2	3	4	5	6	7		
136 -		ENGINE BAFFLES INSTALLATION -----							NP	A
- 1	2255040-7	BAFFLE-FWD OUTBD LH -----							1	
		ATTACHING PARTS -----								
- 2	AN520-10R7	SCREW -----							3	
- 3	AN520-10R6	SCREW -----							7	
- 4	AN3-3A	BOLT -----							1	
	MS20364-1032	NUT -----							1	
		*-----								
- 5	2255029-5	BAFFLE ASSY-RH FWD INBD -----							1	B
- 5A	2255029-7	BAFFLE ASSY-RH FWD INBD -----							1	C
		ATTACHING PARTS -----								
- 6	MS20074-06-14	BOLT -----							1	
- 7	MS35335-35	WASHER -----							1	
- 8	NAS43DD6-56	SPACER -----							1	
- 9	MS20074-05-04	BOLT -----							1	
- 10	MS35335-34	WASHER -----							1	
		*-----								
	NAS680A3	NUTPLATE -----							11	B
	NAS680A3	NUTPLATE -----							9	C
-10A	2255117-1	BAFFLE ASSY-FWD -----							1	C
-11	2255044-1	BAFFLE ASSY-FWD CENTER -----							1	C
-11A	2255044-5	BAFFLE ASSY-FWD CENTER -----							1	C
		ATTACHING PARTS -----								
-12	AN3-3A	BOLT -----							6	B
-12A	AN3-3A	BOLT -----							6	C
-13	AN520-10R6	SCREW -----							6	B
-13A	AN520-10R6	SCREW -----							5	C
		*-----								
	NAS1067A3	NUTPLATE -----							1	
	NAS680A3	NUTPLATE -----							5	
-14	2255046-1	BAFFLE ASSY-FWD LH INBD -----							1	
		ATTACHING PARTS -----								
	AN520-10R7	SCREW -----							1	
		*-----								
	NAS680A3	NUTPLATE -----							1	
-15	2255109-1	BAFFLE ASSY-FWD LH -----							1	
		ATTACHING PARTS -----								
-16	AN520-10R7	SCREW -----							4	
		*-----								
	NAS680A3	NUTPLATE -----							3	
-17	2255003-3	BAFFLE ASSY-FWD LH CYLINDER -----							1	
		ATTACHING PARTS -----								
-18	AN500-416-10	SCREW -----							2	
		*-----								
-19	NAS680-A3	NUTPLATE -----							4	
-20	NAS463-416	SHIM -----							2	
-21	2255004-1	BAFFLE ASSY-CENTER LH & RH CYLINDER -----							2	
		ATTACHING PARTS -----								
-22	AN500-416-10	SCREW -----							2	
		*-----								
-23	NAS463W416	SHIM -----							2	
-24	2255006-1	BAFFLE ASSY-AFT LH CYLINDER -----							1	
		ATTACHING PARTS -----								
-25	AN500-416-10	SCREW -----							2	
-26	AN520-10R7	SCREW -----							1	
		*-----								
-27	NAS463W-416	SHIM -----							2	
-28	NAS697A3	NUTPLATE -----							1	
-29	NAS696A3	NUTPLATE -----							2	
-30	NAS682A3	NUTPLATE -----							1	
-31	2255002-1	BAFFLE ASSY-FWD RH CYLINDER -----							1	
		ATTACHING PARTS -----								
-32	AN500-416-10	SCREW -----							2	
		*-----								
-33	NAS463W-416	SHIM -----							2	
-34	NAS680-A3	NUTPLATE -----							3	
-35	2255005-1	BAFFLE ASSY-AFT RH CYLINDER -----							1	
		ATTACHING PARTS -----								
-36	AN500-416-10	SCREW -----							2	
		*-----								
-37	NAS463W-416	SHIM -----							2	
-38	NAS682A3	NUTPLATE -----							1	
	NAS692A3	NUTPLATE -----							4	
-39	MS35489-16S	GROMMET -----							1	

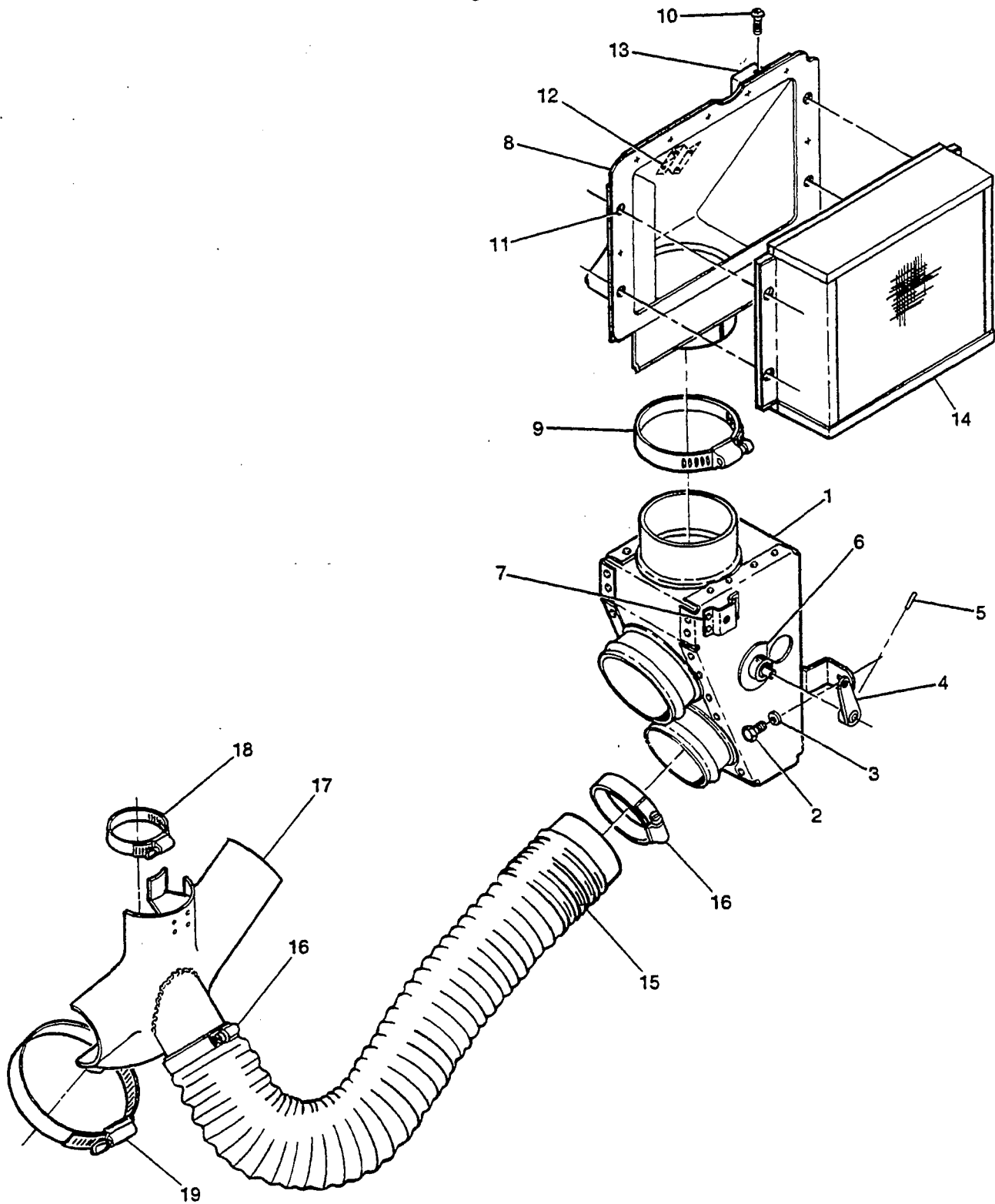
CONTINUED ON NEXT PAGE

# 182 & T182 Parts Catalog

FIGURE AND INDEX NO.	PART NUMBER	DESCRIPTION							UNITS PER ASSY	USABLE ON CODE
		1	2	3	4	5	6	7		
136 -40	2255037-2	BAFFLE ASSY-LH AFT -----							1	
		ATTACHING PARTS -----								
-41	AN520-10R6	SCREW -----							5	
-42	AN507-1032R6	SCREW -----							2	
	AN520-10R7	SCREW -----							1	
	AN500-416-8	SCREW -----							1	
		*-----								
-43	NAS680A3	NUTPLATE -----							1	
-44	NAS683A3	NUTPLATE -----							2	
	MS35489-22	GROMMET -----							1	
-45	2255033-1	RETAINER -----							1	
		ATTACHING PARTS -----								
-46	AN507-1032R6	SCREW -----							2	
		*-----								
-47	2255025-1	BAFFLE ASSY-CENTER AFT -----							1	
	2255025-2	BAFFLE ASSY-CENTER AFT USED WITH 95 AMP ALTERNATOR -----							1	
		ATTACHING PARTS -----								
	AN520-10R6	SCREW -----							1	
		*-----								
-48	2255020-1	SEAL -----							1	
-49	2255020-2	SEAL -----							1	
-50	NAS696A3	NUTPLATE -----							7	
	NAS683A3	NUTPLATE -----							2	
	MS35489-11	GROMMET -----							1	
	MS35489-22S	GROMMET USED WITH 95 AMP ALTERNATOR -----							1	
-51	2255023-1	SUPPORT ASSY -----							1	
	NAS680A3	NUTPLATE -----							2	
-52	2255104-1	BAFFLE DUCT ASSY -----							1	
-53	2255030-3	BAFFLE ASSY-RH AFT -----							1	
		ATTACHING PARTS -----								
-54	AN520-10R6	SCREW -----							9	
-55	AN507-1032R6	SCREW -----							2	
-56	AN500-416-8	SCREW -----							1	
		*-----								
-57	NAS680A3	NUTPLATE -----							1	
-58	2255108-1	DEFLECTOR-BAFFLE -----							1	
		ATTACHING PARTS -----								
-59	AN520-10R-10	SCREW -----							1	
-60	MS21919DF12	CLAMP -----							1	
-61	AN960-10	WASHER -----							1	
-62	MS20365-1032C	NUT -----							1	
		*-----								
	2255111-1	BAFFLE ASSY-LH FWD USED WITH AIR CONDITIONER ONLY -----							1	
		ATTACHING PARTS -----								
-63	AN520-10R10	SCREW -----							3	
		*-----								
-64	2255092-3	BAFFLE ASSY -----							1	
	NAS680A08	NUTPLATE -----							1	
-65	NAS680A3	NUTPLATE -----							3	
-66	2255090-2	SEAL -----							1	
-67	0555265-1	SEAL -----							1	
-68	2255079-1	COVER BAFFLE -----							1	
		ATTACHING PARTS -----								
-69	AN525-832-8	SCREW -----							2	
		*-----								
-70	2255080-3	SUPPORT ASSY -----							1	
	NAS684A08	NUTPLATE -----							2	
-71	2255083-2	BAFFLE -----							1	
		ATTACHING PARTS -----								
-72	AN525-832-8	SCREW -----							2	
		*-----								
-73	2255003-4	BAFFLE ASSY-LH FWD USED WITH AIR CONDITIONER ONLY -----							1	
		ATTACHING PARTS -----								
-74	AN500-416-10	SCREW -----							2	
		*-----								
-75	NAS680A3	NUTPLATE -----							3	
-76	NAS463W416	SHIM -----							2	
		A---T182 SERIAL 18267716 & ON								
		B---T182 SERIAL 18267716 THRU 18268029								
		C---T182 SERIAL 18268030 & ON								

# 182 & T182 Parts Catalog

Engine (Cont)



**T182 SERIAL 18267716 & ON**

Figure 137. Carburetor Heat Airbox Installation-Turbocharged

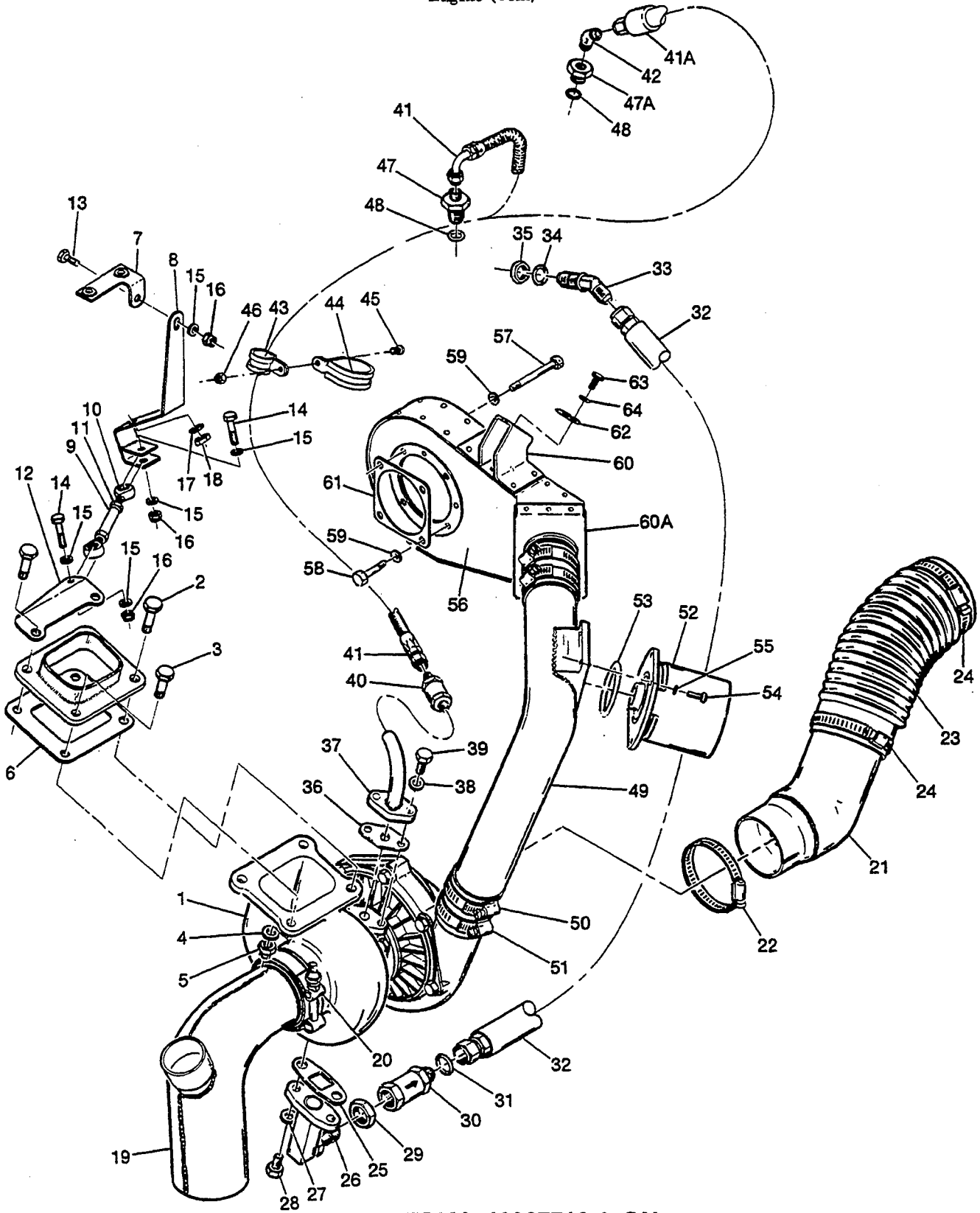


# 182 & T182 Parts Catalog

FIGURE AND INDEX NO.	PART NUMBER	DESCRIPTION							UNITS PER ASSY	USABLE ON CODE
		1	2	3	4	5	6	7		
137 -		CARBURETOR HEAT AIRBOX INSTALLATION-TURBOCHARGED -----							NP	A
- 1	2250097-1	AIRBOX ASSY-CARBURETOR -----							1	
		ATTACHING PARTS -----								
- 2	AN3-4A	BOLT -----							2	
- 3	AN960-10L	WASHER -----							2	
		*-----								
- 4	S2280-3-58	ARM ASSY-CARBURETOR AIRBOX -----							1	
		ATTACHING PARTS -----								
- 5	MS16562-16	PIN -----							1	
		*-----								
- 6	0750113-7	HOUSING ASSY-CARBURETOR AIRBOX BEARING -----							2	
- 7	2250092-1	BRACKET ASSY-CARBURETOR HEAT CONTROL -----							1	
	NAS680A3	NUTPLATE -----							1	
- 8	2250035-1	INDUCTION AIRBOX ASSY -----							1	
		ATTACHING PARTS -----								
- 9	S1891-48	CLAMP -----							1	
-10	AN520-010R6	SCREW -----							1	
	AN520-10R8	SCREW -----							2	
	AN960-10	WASHER -----							2	
		*-----								
-11	S1853-1	RECEPTACLE -----							4	
-12	2250080-2	BRACKET-INDUCTION AIRBOX -----							1	
-13	2250039-1	SUPPORT -----							1	
-14	C294510-0901	FILTER ASSY-AIR -----							1	
-15	S1053K20T24.0	DUCT -----							1	
		ATTACHING PARTS -----								
-16	S1891-48	CLAMP -----							2	
		*-----								
-17	2254018-9	SHROUD ASSY-CARBURETOR HEAT -----							1	
		ATTACHING PARTS -----								
-18	S1891H32	CLAMP -----							1	
-19	S1891H48	CLAMP -----							1	
		*-----								
		A---T182 SERIAL 18267716 & ON								

# 182 & T182 Parts Catalog

Engine (Cont)



**T182 SERIAL 18267716 & ON**

Figure 138. Turbocharger Installation

# 182 & T182 Parts Catalog

FIGURE AND INDEX NO.	PART NUMBER	DESCRIPTION							UNITS PER ASSY	USABLE ON CODE
		1	2	3	4	5	6	7		
138 -		TURBOCHARGER INSTALLATION -----							NP	A
- 1	C295001-0304	TURBOCHARGER ASSY -----							1	
		ATTACHING PARTS -----								
- 2	MS20036-7	BOLT AFT -----							2	
- 3	MS20036-6	BOLT FWD -----							2	
- 4	AN960C616L	WASHER -----							4	
- 5	S1604-6	NUT -----							4	
		-----*								
- 6	632884	GASKET TURBOCHARGER TO EXHAUST STACK -----							1	
- 7	2250134-1	SUPPORT ASSY -----							1	
- 8	2250137-1	SUPPORT ASSY -----							1	
- 9	2250135-1	ROD ASSY -----							1	
-10	S2049P4LFG	ROD END LH THREAD -----							1	
	S2049P4FG	ROD END RH THREAD -----							1	
-11	AN316-5L	NUT-JAMB LH THREAD -----							1	
	AN316-5P	NUT-JAMB RH THREAD -----							1	
-12	2250136-1	SUPPORT ASSY -----							1	
		ATTACHING PARTS -----								
-13	AN4-5A	BOLT -----							1	
-14	AN4-11A	BOLT -----							2	
-15	AN960-416	WASHER -----							5	
-16	MS20365-428C	NUT -----							3	
-17	AN935-516L	WASHER -----							1	
-18	MS35649-2312	NUT -----							1	
		-----*								
-19	2254010-1	TAILPIPE ASSY -----							1	
		ATTACHING PARTS -----								
-20	S1921-2	CLAMP -----							1	
		-----*								
-21	2250102-4	ADAPTER TUBE ASSY -----							1	
		ATTACHING PARTS -----								
-22	S1891-48	CLAMP -----							1	
		-----*								
-23	1650044-1	DUCT -----							1	
		ATTACHING PARTS -----								
-24	S1891-48	CLAMP -----							2	
		-----*								
-25	1250816-2	GASKET-OIL OUTLET -----							1	
-26	1250913-1	ADAPTER ASSY-OIL OUTLET -----							1	
		ATTACHING PARTS -----								
-27	AN960C616L	WASHER -----							2	
-28	MS20074-06-07	BOLT -----							2	
		-----*								
-29	AN924-8D	NUT -----							1	
-30	S2361-1	VALVE-SWING CHECK -----							1	
-31	MS28778-8	PACKING -----							1	
-32	S1129-8-0294	HOSE ASSY -----							1	B
	S2495-8-0304	HOSE ASSY -----							1	C
		ATTACHING PARTS -----								
-33	AN837-8	ELBOW -----							1	
-34	MS28778-8	PACKING -----							1	
-35	AN924-8D	NUT -----							1	
		-----*								
-36	1250816-3	GASKET-OIL INLET -----							1	
-37	1556024-3	ADAPTER ASSY-OIL INLET -----							1	
		ATTACHING PARTS -----								
-38	AN960C516	WASHER -----							2	
-39	MS20074-05-06	BOLT -----							2	
		-----*								
-40	S2535-1	VALVE ASSY -----							1	
-41	S1129-40-0430	HOSE ASSY -----							1	B
-41A	S2495-4-0360	HOSE ASSY -----							1	C
		ATTACHING PARTS -----								
-42	MS20823-4	ELBOW -----							1	C
-43	MS21919DG12	CLAMP -----							1	C
-44	MS21919DG22	CLAMP -----							1	C
-45	AN520-10R7	SCREW -----							1	C
-46	MS20365-1032C	NUT -----							1	C
	S2209-2	TIE TO ATTACH S1129-40-0430 -----							AR	B
		-----*								

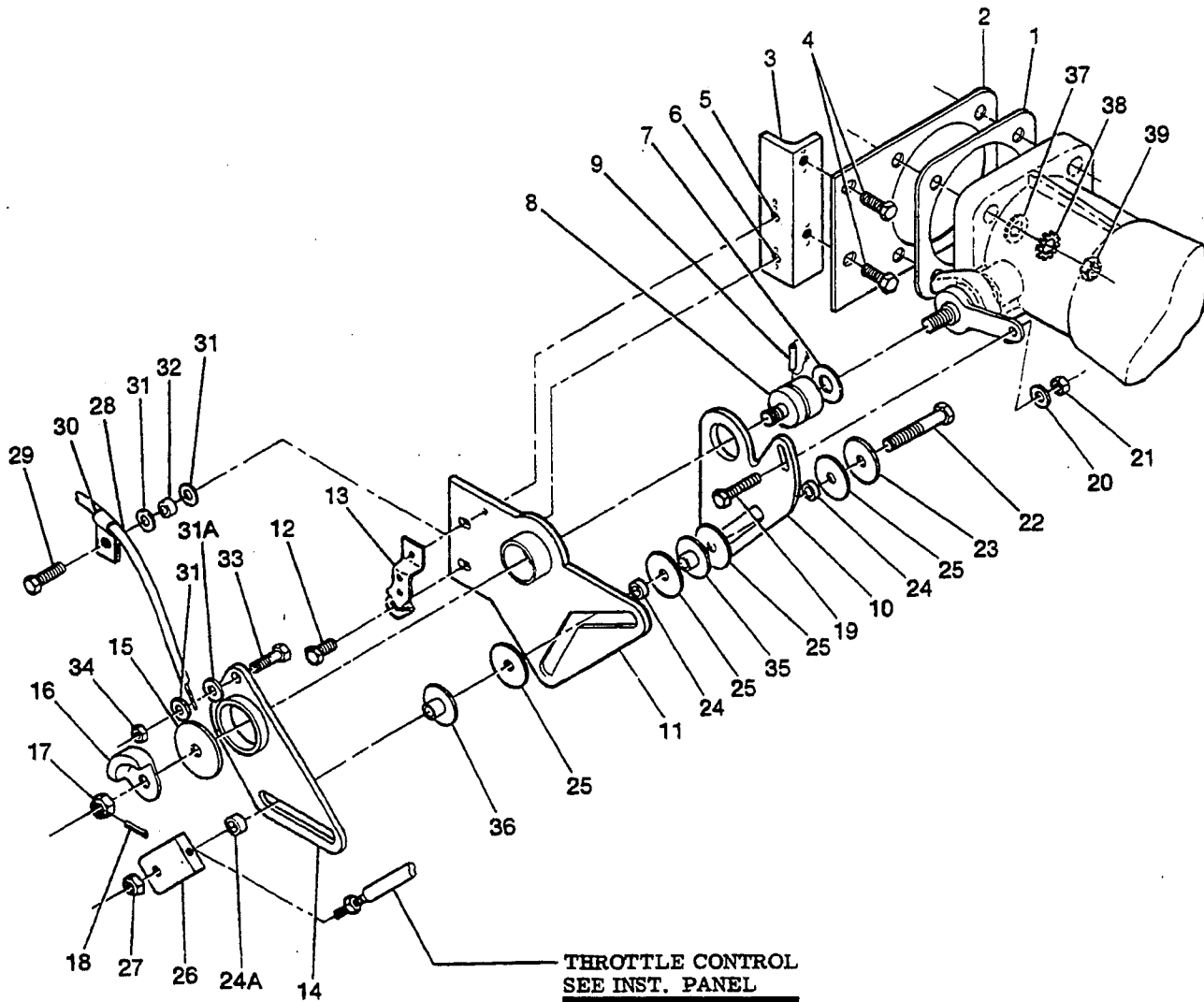
CONTINUED ON NEXT PAGE

# 182 & T182 Parts Catalog

FIGURE AND INDEX NO.	PART NUMBER	DESCRIPTION							UNITS PER ASSY	USABLE ON CODE
		1	2	3	4	5	6	7		
138 -47	2250052-1	REDUCER	-----	-----	-----	-----	-----	-----	1	B C
-47A	2250152-1	REDUCER	-----	-----	-----	-----	-----	-----	1	
-48	MS29512-07	PACKING	-----	-----	-----	-----	-----	-----	1	
-49	2250077-1	TUBE ASSY-TURBO CHARGER	-----	-----	-----	-----	-----	-----	1	
		ATTACHING PARTS	-----	-----	-----	-----	-----	-----		
-50	1250929-2	COUPLER	-----	-----	-----	-----	-----	-----	2	
-51	S1891-32	CLAMP	-----	-----	-----	-----	-----	-----	4	
		*-----	-----	-----	-----	-----	-----	-----		
-52	C482002-113	VALVE-ABSOLUTE PRESSURE RELIEF	-----	-----	-----	-----	-----	-----	1	
		ATTACHING PARTS	-----	-----	-----	-----	-----	-----		
-53	AN500A10-10	SCREW	-----	-----	-----	-----	-----	-----	4	
-54	NAS620-10L	WASHER	-----	-----	-----	-----	-----	-----	4	
		*-----	-----	-----	-----	-----	-----	-----		
-55	NAS1593-138	PACKING	-----	-----	-----	-----	-----	-----	1	
-56	2250034-2	CARBURATOR ADAPTER ASSY	-----	-----	-----	-----	-----	-----	1	
		ATTACHING PARTS	-----	-----	-----	-----	-----	-----		
-57	MS20074-04-21	BOLT	-----	-----	-----	-----	-----	-----	2	
-58	AN4-10A	BOLT	-----	-----	-----	-----	-----	-----	2	
-59	MS35335-33	WASHER	-----	-----	-----	-----	-----	-----	4	
		*-----	-----	-----	-----	-----	-----	-----		
-60	2250147-1	BRACKET ASSY-THROTTLE CONTROL	-----	-----	-----	-----	-----	-----	1	
	NAS697A3	NUTPLATE	-----	-----	-----	-----	-----	-----	1	
-60A	2250131-1	ADAPTOR ASSY-CARBURETOR AIR BOX	-----	-----	-----	-----	-----	-----	1	
-61	2250023-1	GASKET-ADAPTER TO CARBURETOR	-----	-----	-----	-----	-----	-----	1	
-62	2250043-1	RETAINER	-----	-----	-----	-----	-----	-----	1	
		ATTACHING PARTS	-----	-----	-----	-----	-----	-----		
-63	AN3-4A	BOLT	-----	-----	-----	-----	-----	-----	1	
-64	AN960-10	WASHER	-----	-----	-----	-----	-----	-----	1	
		*-----	-----	-----	-----	-----	-----	-----		
		A---T182 SERIAL 18267716 & ON B---T182 SERIAL 18267716 THRU 18268077 C---T182 SERIAL 18268078 & ON								

# 182 & T182 Parts Catalog

Engine (Cont)



**T182 SERIAL 18267716 & ON**

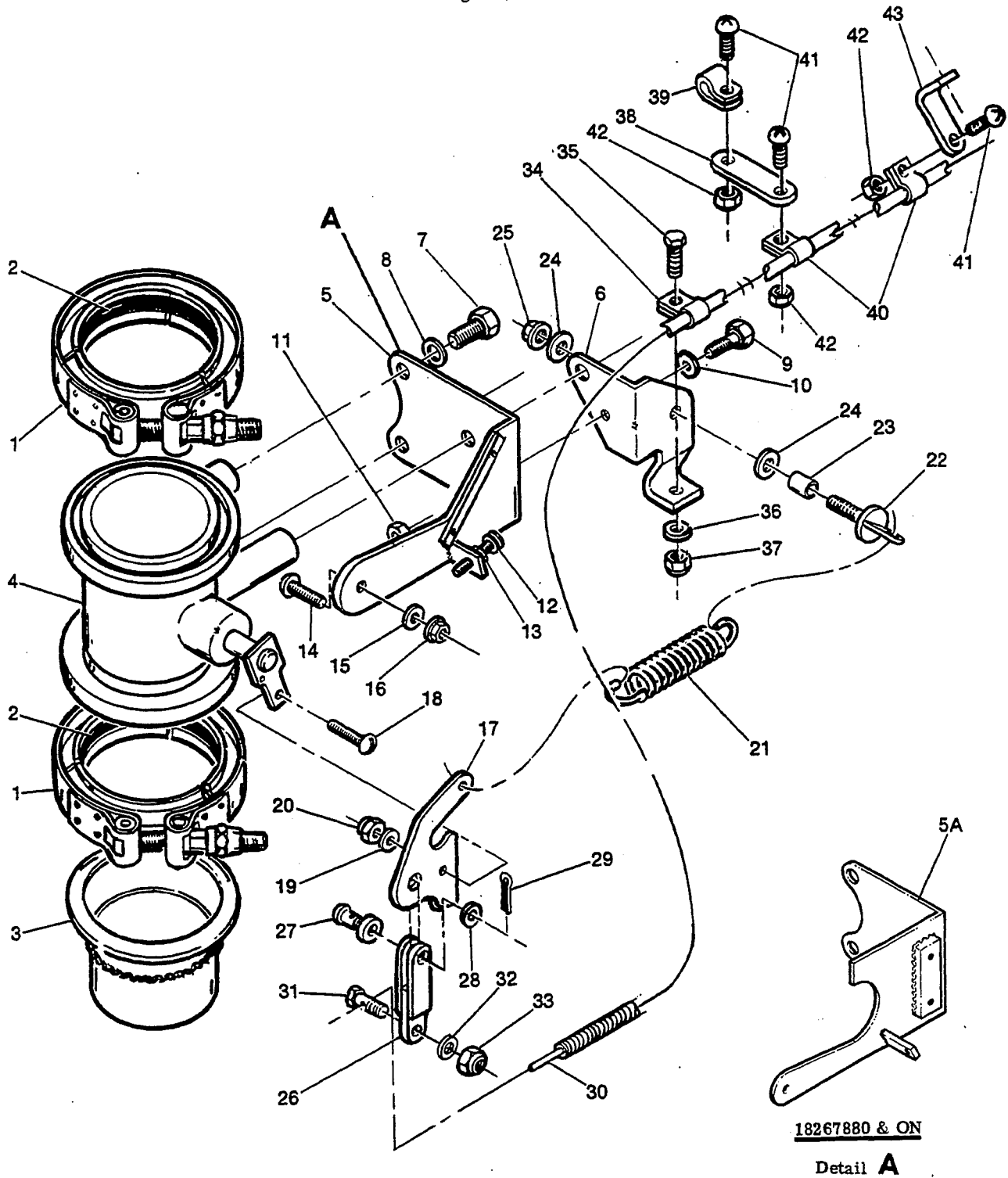
Figure 139. Throttle Control Installation

# 182 & T182 Parts Catalog

FIGURE AND INDEX NO.	PART NUMBER	DESCRIPTION							UNITS PER ASSY	USABLE ON CODE
		1	2	3	4	5	6	7		
139 -		THROTTLE CONTROL INSTALLATION -----							NP	A
- 1	2250069-1	GASKET-BRACKET ASSY -----							1	
- 2	2250072-1	MOUNT-THROTTLE CONTROL -----							1	
- 3	2250100-1	SUPPORT ASSY-THROTTLE CONTROL -----							1	
		ATTACHING PARTS								
- 4	AN3-4A	BOLT -----							2	
		*-----								
- 5	NAS682A3	NUTPLATE -----							1	
- 6	NAS680A3	NUTPLATE -----							3	
- 7	S2404-1	WASHER -----							1	
- 8	2250144-1	EXTENSION-CARBURETOR SHAFT -----							1	
		ATTACHING PARTS								
- 9	MS16562-205	SPRING PIN -----							1	
		*-----								
-10	2250149-1	LEVER-THROTTLE CONTROL -----							1	
-11	2250141-1	BRACKET ASSY-THROTTLE CONTROL -----							1	
		ATTACHING PARTS								
-12	AN3-3A	BOLT -----							1	
		*-----								
-13	2250111-2	BRACKET-SWITCH -----							1	
-14	2250142-1	LEVER ASSY-THROTTLE CONTROL -----							1	
-15	AN970-4	WASHER -----							1	
-16	2250018-1	CAM-THROTTLE ARM -----							1	
-17	AN310-4	NUT -----							1	
-18	MS24665-134	COTTER PIN -----							1	
-19	AN3-5A	BOLT -----							1	
-20	AN960-10	WASHER -----							1	
-21	MS20365-1032C	NUT -----							1	
-22	2250053-2	BOLT-THROTTLE CONTROL -----							1	
-23	AN970-3	WASHER -----							1	
-24	S1003-95B	BUSHING -----							2	
-24A	S1003-94B	BUSHING -----							1	
-25	S1438-10	WASHER -----							4	
-26	2250129-1	ROD END-THROTTLE CONTROL -----							1	
-27	MS20365-1032C	NUT -----							1	
-28	SEE FIG 140	CONTROL ASSY-WASTEGATE -----							1	
		ATTACHING PARTS								
-29	AN3-7A	BOLT -----							1	
-30	S2226-1	CLAMP -----							1	
-31	AN960-10	WASHER -----							3	
-31A	AN960-10L	WASHER -----							1	
-32	NAS43HT3-6	SPACER -----							1	
-33	S2323-1	CLAMP -----							1	
-34	MS20365-1032C	NUT -----							1	
		*-----								
-35	2250145-1	RETAINER WEU 2250145-2 -----							1	B C C C
	2250145-2	RETAINER -----							1	
-36	2250146-1	RETAINER WEU 2250146-2 -----							1	
	2250146-2	RETAINER -----							1	
-37		WASHER FURNISHED WITH CARBURETOR -----							4	
-38	MS35335-34	LOCKWASHER -----							4	
-39		NUT FURNISHED WITH CARBURETOR -----							4	
		A---T182 SERIAL 18267716 & ON								
		B---T182 SERIAL 18267716 THRU 18267973								
		C---T182 SERIAL 18267974								

# 182 & T182 Parts Catalog

Engine (Cont)



18267880 & ON

Detail **A**

**T182 SERIAL 18267716 & ON**  
Figure 140. Wastegate Control Assembly

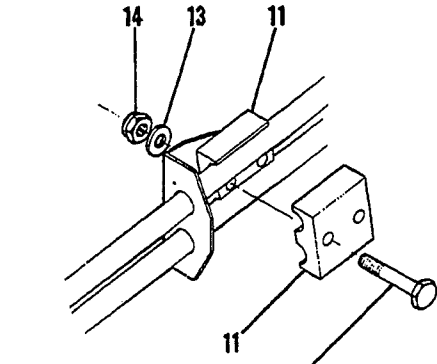
# 182 & T182 Parts Catalog

FIGURE AND INDEX NO.	PART NUMBER	DESCRIPTION							UNITS PER ASSY	USABLE ON CODE
		1	2	3	4	5	6	7		
140 -	2253031-1 2253031-2	WASTEGATE CONTROL INSTALLATION -----							NP	A
		WASTEGATE CONTROL ASSY -----							1	B
		WASTEGATE CONTROL ASSY -----							1	C
		ATTACHING PARTS								
- 1	18276-175	COUPLING -----							2	
- 2	24096-175N	GASKET -----							2	
- 3	2254009-1	CONNECTOR -----							1	
		-----*								
- 4	C165006-0502	VALVE ASSY-WASTEGATE -----							1	
- 5	2250083-7	BRACKET ASSY-WASTEGATE CONTROL -----							1	B
- 5A	2250153-1	BRACKET ASSY-WASTEGATE CONTROL -----							1	C
- 6	2250116-1	BRACKET-WASTEGATE CONTROL -----							1	
		ATTACHING PARTS								
- 7	MS20074-04-03	BOLT -----							3	
- 8	AN960-416	WASHER -----							3	
- 9	AN3-4A	BOLT -----							1	
-10	AN960-10	WASHER -----							1	
-11	MS21042L3	NUT -----							1	
		-----*								
-12	AN503-8-12	SCREW -----							1	
-13	AN340-8	NUT -----							1	
-14	AN520-8R10	SCREW -----							1	
-15	AN960-8	WASHER -----							1	
-16	MS21042L08	NUT -----							1	
-17	2250115-1	LEVER-WASTEGATE CONTROL -----							1	
		ATTACHING PARTS								
-18	AN520-8R8	SCREW -----							1	
-19	AN960-8	WASHER -----							1	
-20	MS21042L08	NUT -----							1	
		-----*								
-21	2254027-1	SPRING -----							1	
		ATTACHING PARTS								
-22	AN42-C5	EYE BOLT -----							1	B
	AN42-C4	EYE BOLT -----							1	C
-23	NAS43HT3-13	SPACER -----							1	B
-24	AN960-10	WASHER -----							2	C
-25	MS21042L3	NUT -----							1	B
		-----*								
-26	2250119-1	ARM-WASTEGATE CONTROL -----							1	
		ATTACHING PARTS								
-27	MS20392-2C11	PIN -----							1	
-28	AN960-10L	WASHER -----							2	
		-----*								
-30	MS24665-151 2260125-3	COTTER PIN -----							1	
		CONTROL ASSY -----							1	
		ATTACHING PARTS								
-31	S2323-1	CLAMP -----							1	
-32	AN960-10	WASHER -----							1	
	AN960-10L	WASHER -----							1	
-33	MS20365-1032C	NUT -----							1	
-34	S2226-1	CLAMP -----							1	
-35	AN3-4A	BOLT -----							1	
-36	AN960-10	WASHER -----							1	
-37	MS21042L3	NUT -----							1	
-38	S2300-6	BRACKET -----							1	
-39	AN742D4	CLAMP -----							1	
-40	S2226-1	CLAMP -----							1	
-41	AN520-10R6	SCREW -----							2	
-42	MS20364-1032C	NUT -----							3	
-43	S2300-14	BRACKET -----							1	
		-----*								
		A---T182 SERIAL 18267716 & ON B---T182 SERIAL 18267716 THRU 18267879 C---T182 SERIAL 18267880 & ON								

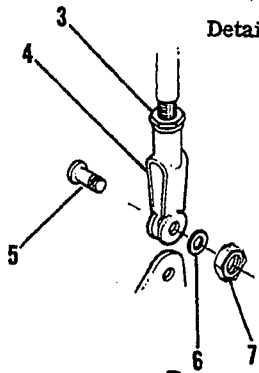


# 182 & T182 Parts Catalog

## Cowl Flaps Control System

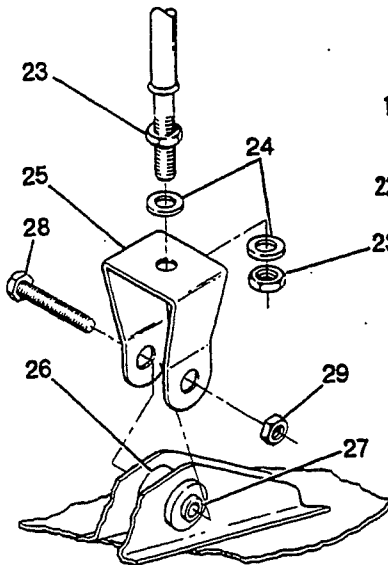


Detail A



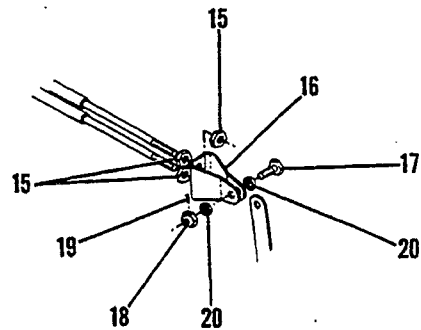
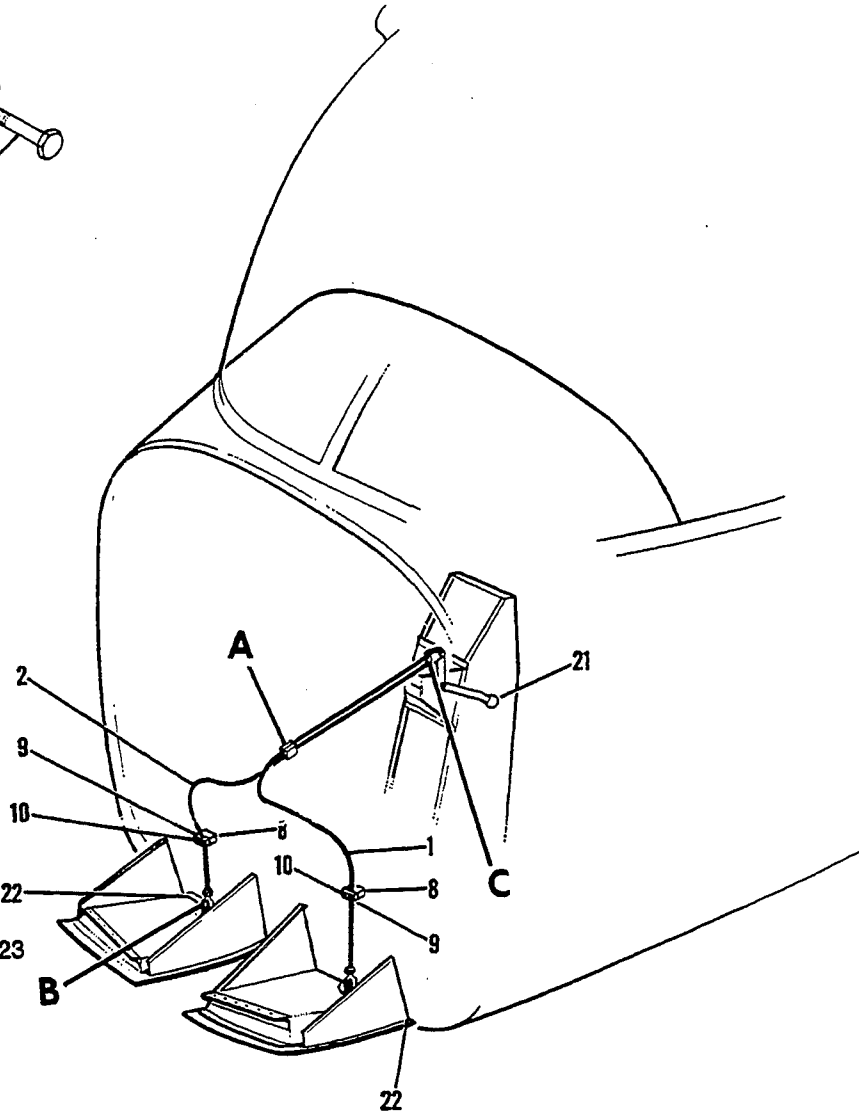
Detail B

18262466 THRU 18268160



Detail B

182680161 & ON



Detail C

182 SERIAL 18262466 & ON  
F182 SERIAL F1820001 THRU F18200169

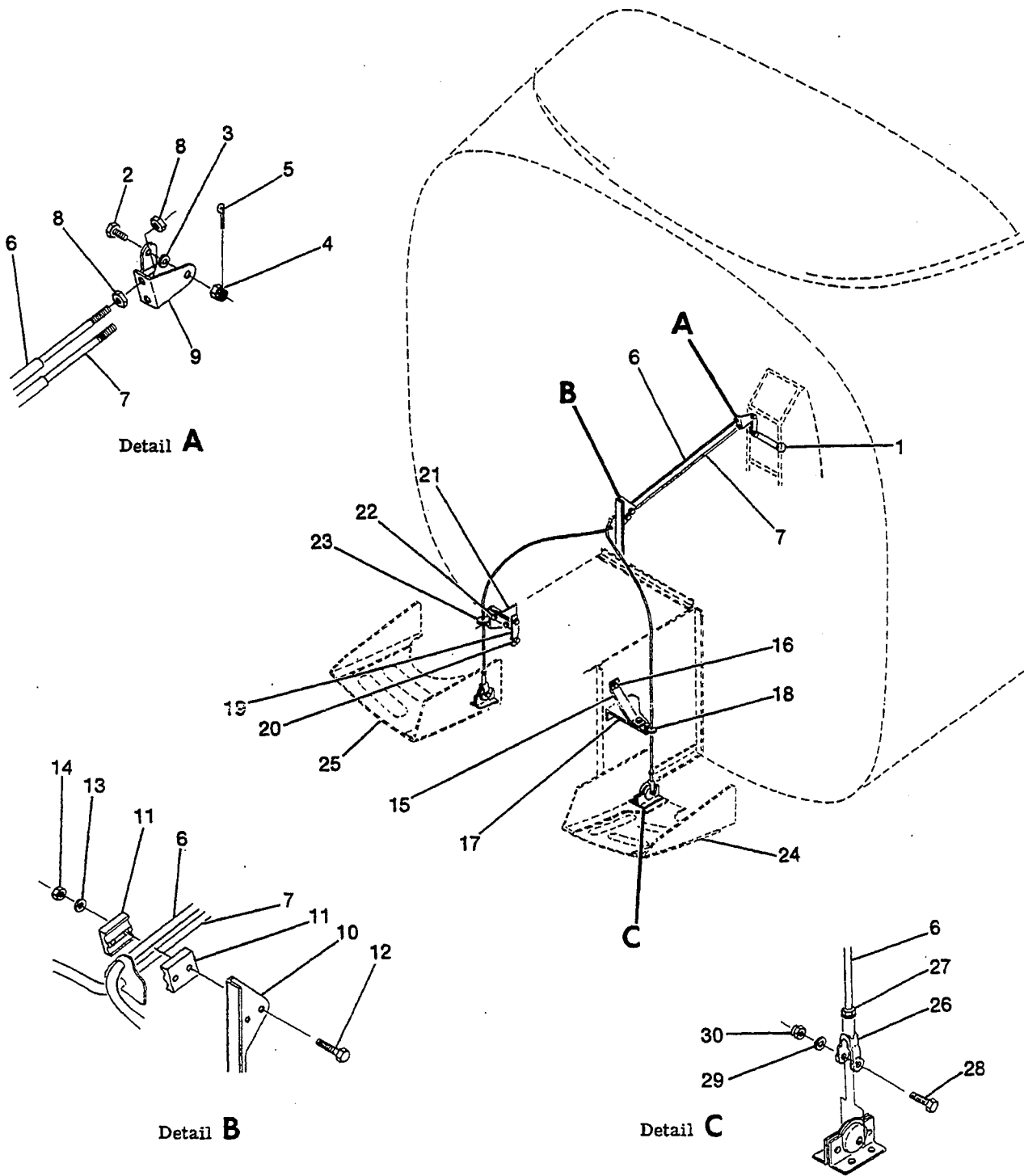
Figure 141. Cowl Flaps Control System Installation

# 182 & T182 Parts Catalog

FIGURE AND INDEX NO.	PART NUMBER	DESCRIPTION	UNITS PER ASSY	USABLE ON CODE
141 -		COWL FLAPS CONTROL SYSTEM -----	NP	A
- 1	9860058-3	CONTROL-COWL FLAP LH -----	1	
- 2	9860058-4	CONTROL-COWL FLAP RH -----	1	
- 3	AN316-4R	NUT -----	2	B
- 4	1213079-1	CLEVIS -----	2	B
		ATTACHING PARTS		
- 5	AN3-10A	BOLT -----	1	B
- 6	AN960-10	WASHER -----	2	B
- 7	MS20365-1032C	NUT -----	1	B
		*-----		
- 8	0713307-1	MOUNT -----	2	
- 9	0713307-2	CLAMP -----	2	
		ATTACHING PARTS		
-10	AN520-10R26	SCREW -----	2	
	AN960-10L	WASHER -----	2	
	MS21044N3	NUT -----	2	
		*-----		
-11	1213037-1	CLAMP -----	2	
		ATTACHING PARTS		
-12	AN3-11A	BOLT -----	1	
-13	AN960-10L	WASHER -----	1	
-14	MS21044N3	NUT -----	1	
		*-----		
-15	AN316-4R	NUT -----	4	
-16	0713701-2	CLEVIS -----	1	
		ATTACHING PARTS		
-17	AN4-5	BOLT -----	1	
-18	AN310-4	NUT -----	1	
-19	MS24665-134	PIN-COTTER -----	1	
-20	AN960-416L	WASHER -----	2	
		*-----		
-21	SEE FIG 155	LEVER ASSY-COWL FLAPS -----	1	
-22	S1929-1	BUMPER AUV -----	2	
-23	AN316-4R	NUT -----	4	C
-24	MS35333-40	WASHER -----	4	C
-25	0752719-1	CLEVIS -----	2	C
		ATTACHING PARTS		
-26	S2542-1	BUSHING -----	2	C
-27	NAS43HT3-49	SPACER -----	2	C
-28	AN3-11A	BOLT -----	2	C
-29	MS20365-1032C	NUT -----	2	C
		*-----		
		A---182 SERIAL 18262466 & ON F182 SERIAL F18200001 THRU F18200169 B---182 SERIAL 18262466 THRU 18268160 F182 SERIAL F18200001 THRU F18200169 C---182 SERIAL 18268161 & ON		

# 182 & T182 Parts Catalog

## Cowl Flap Control



**T182 SERIAL 18267716 & ON**

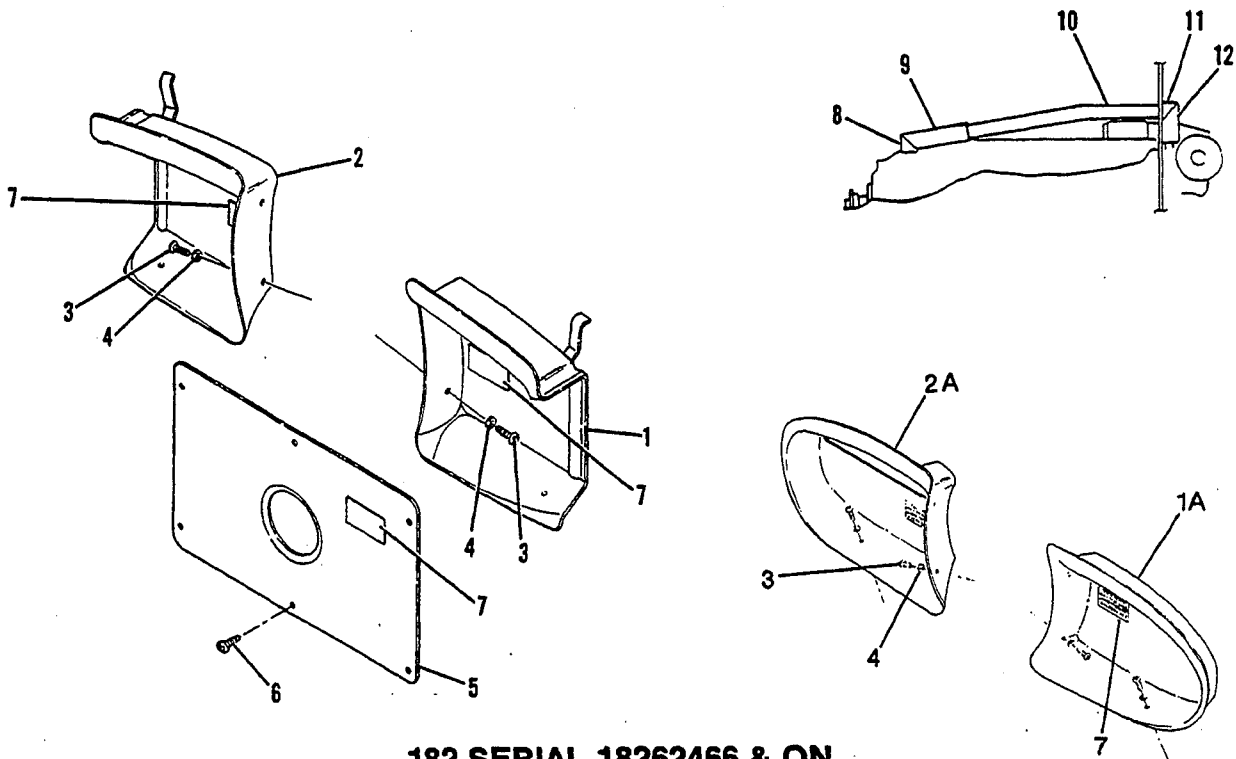
Figure 142. Cowl Flap Control System

# 182 & T182 Parts Catalog

FIGURE AND INDEX NO.	PART NUMBER	DESCRIPTION							UNITS PER ASSY	USABLE ON CODE
		1	2	3	4	5	6	7		
142 -		COWL FLAP CONTROL SYSTEM -----							NP	A
- 1	SEE FIG 165	LEVER ASSY-COWL FLAP -----							1	
		ATTACHING PARTS -----								
- 2	AN4-5	BOLT -----							1	
- 3	AN960-416	WASHER -----							AR	
- 4	AN310-4	NUT -----							1	
- 5	MS24665-134	COTTER PIN -----							1	
		*-----								
- 6	9860075-3	CONTROL ASSY-LH COWL FLAP -----							1	
- 7	9860075-4	CONTROL ASSY-RH COWL FLAP -----							1	
- 8	AN316-4R	NUT -----							4	
- 9	0713556-1	CLEVIS -----							1	
-10	SEE FIG 37	FIREWALL STIFFENER -----							1	
-11	1213037-1	CLAMP -----							2	
		ATTACHING PARTS -----								
-12	AN3-11A	BOLT -----							2	
-13	AN960-10L	WASHER -----							2	
-14	MS21044N3	NUT -----							2	
		*-----								
-15	2213069-1	BRACKET-LH -----							1	
		ATTACHING PARTS -----								
-16	AN3-3A	BOLT -----							2	
	AN960-10	WASHER -----							2	
	MS21042	NUT -----							2	
		*-----								
-17	2213070-1	BRACKET-LH -----							1	
		ATTACHING PARTS -----								
	AN3-3A	BOLT -----							3	
	AN960-10	WASHER -----							3	
	MS21042-3	NUT -----							3	
		*-----								
-18	1250025-1	RETAINER -----							1	
		ATTACHING PARTS -----								
	AN3-3A	BOLT -----							1	
	AN960-10	WASHER -----							1	
	MS21042-3	NUT -----							1	
		*-----								
-19	2213086-1	BRACKET-RH -----							1	
		ATTACHING PARTS -----								
-20	AN3-3A	BOLT -----							2	
	AN960-10	WASHER -----							2	
	MS21042-3	NUT -----							2	
		*-----								
-21	NAS1067A3	NUTPLATE -----							2	
	2213087-1	BRACKET-RH -----							1	
		ATTACHING PARTS -----								
-22	AN3-3A	BOLT -----							2	
	AN960-10	WASHER -----							2	
	MS21042-3	NUT -----							2	
		*-----								
-23	NAS1067A3	NUTPLATE -----							1	
	1250025-1	RETAINER -----							1	
		ATTACHING PARTS -----								
	AN3-3A	BOLT -----							1	
	MS21042-3	WASHER -----							1	
		*-----								
-24	SEE FIG 30	FLAP ASSY-LH COWL -----							1	
-25	SEE FIG 30	FLAP ASSY-RH COWL -----							1	
-26	1213079-1	CLEVIS -----							2	
		ATTACHING PARTS -----								
-27	MS21045L3	NUT -----							1	
-28	AN3-10A	BOLT -----							1	
-29	AN960-10	WASHER -----							1	
-30	AN316-4	NUT -----							1	
		*-----								
A---T182 SERIAL 18267716 & ON										

# 182 & T182 Parts Catalog

Winterization (Cont)



## 182 SERIAL 18262466 & ON F182 SERIAL F1820001 THRU F18200169

Figure 143. Winterization Equipment Installation

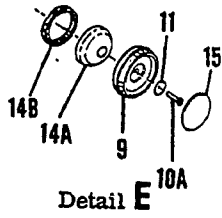
FIGURE AND INDEX NO.	PART NUMBER	DESCRIPTION	1 2 3 4 5 6 7							UNITS PER ASSY	USABLE ON CODE
			1	2	3	4	5	6	7		
143 -		WINTERIZATION EQUIPMENT INSTALLATION -----								NP	A
- 1	0752647-3	COVER ASSY-WINTER FRONT LH -----								1	B
	0752647-7	COVER ASSY-WINTER FRONT LH WEU 0752647-13 -----								1	C
	0752647-13	COVER ASSY-WINTER FRONT LH -----								1	D
- 1A	0752713-1	COVER ASSY-WINTER FRONT LH -----								1	E
- 2	0752647-4	COVER ASSY-WINTER FRONT RH -----								1	B
	0752647-8	COVER ASSY-WINTER FRONT RH WEU 0752647-14 -----								1	C
	0752647-14	COVER ASSY-WINTER FRONT RH -----								1	D
- 2A	0752713-2	COVER ASSY-WINTER FRONT RH -----								1	E
		ATTACHING PARTS									
- 3	AN520-10R10	SCREW -----								3	
- 4	AN960-10L NAS680A3	WASHER ----- NUT -----								3 3	
- 5	0752641-7	COVER ASSY-FILTER ----- ATTACHING PARTS								1	
- 6	AN509-10R8	SCREW -----								6	
- 7	SEE FIG 2	PLACARD-WINTERIZATION -----								3	
- 8	1200191-4	TUBE-WINTERIZATION -----								1	
- 9	1200191-5	TUBE-WINTERIZATION -----								1	
- 10	1200191-6	TUBE-WINTERIZATION -----								1	
- 11	1200191-7	TUBE-WINTERIZATION -----								1	
- 12	1200191-8	TUBE-WINTERIZATION -----								1	
<p>A---182 SERIAL 18262466 &amp; ON F182 SERIAL F1820001 THRU F18200169</p> <p>B---182 SERIAL 18262466 THRU 18263475</p> <p>C---182 SERIAL 18263476 THRU 18266245 F182 SERIAL F1820001 THRU F18200094</p> <p>D---182 SERIAL 18266246 THRU 18267715 F182 SERIAL F18200095 THRU F18200169</p> <p>E---182 SERIAL 18267716 &amp; ON</p>											

# 182 & T182 Parts Catalog

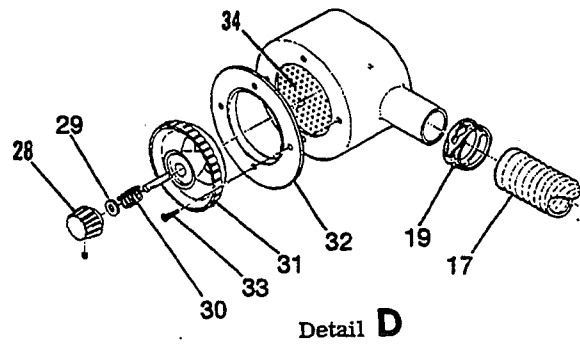
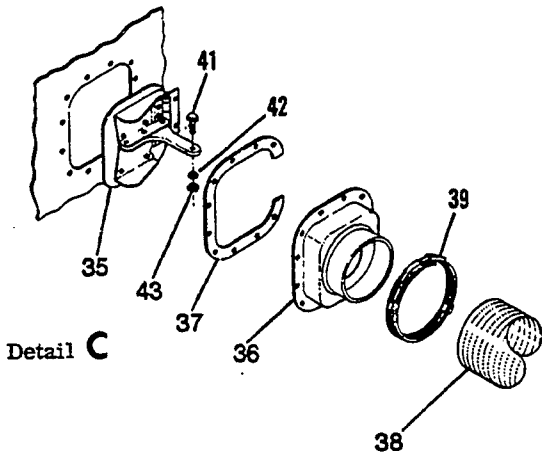
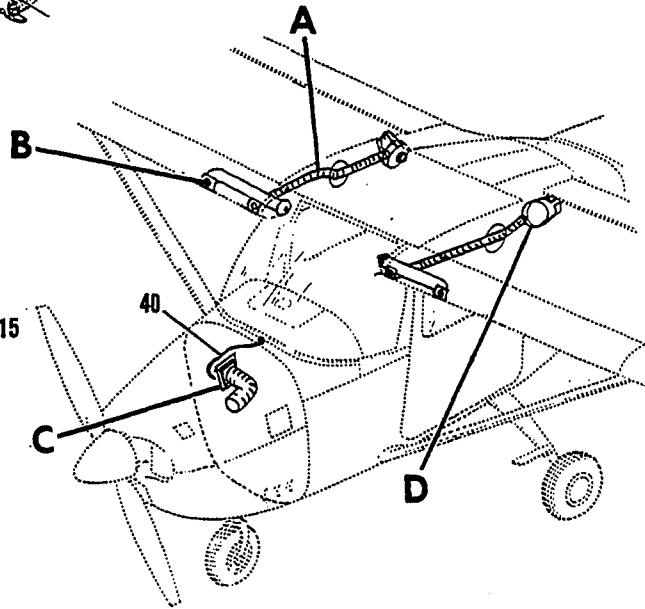
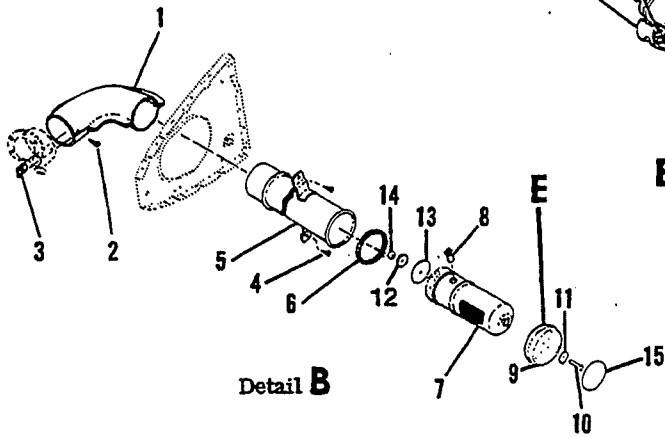
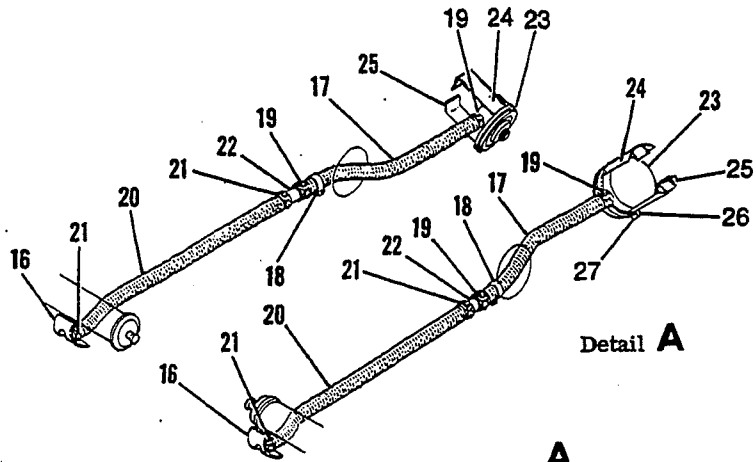
FIGURE AND INDEX NO.	PART NUMBER	DESCRIPTION	UNITS PER ASSY	USABLE ON CODE
144 -		CABIN VENTILATION SYSTEM -----	NP	A
- 1	0450314	FITTING-CABIN VENTILATION -----	2	
		ATTACHING PARTS		
- 2	S1021Z8-8	SCREW -----	1	
- 3	NAS446-4-3	NUT -----	1	
		-----*		
	0413163-204	OUTLET ASSY-RH -----	1	B
	0413163-46	OUTLET ASSY-RH -----	1	C
	0413163-203	OUTLET ASSY-LH -----	1	C
	0413163-45	OUTLET ASSY-LH -----	1	C
		ATTACHING PARTS		
- 4	S1021Z8-6	SCREW -----	2	
		-----*		
- 5	0413163-28	TUBE ASSY-RH -----	1	
	0413163-27	TUBE ASSY-LH -----	1	
- 6	0413163-58	SEAL-FELT -----	1	
- 7	0413163-18	OUTLET-CABIN VENTILATION -----	1	
- 8	S2024-1	CATCH-BULLET -----	2	
- 9	S1834-1	KNOB -----	2	
		ATTACHING PARTS		
-10	AN507-1032R12	SCREW -----	1	B
-10A	AN507-1032R14	SCREW -----	1	C
-11	S290D1032	WASHER -----	1	
-12	0413228	WASHER -----	1	
-13	S1450-5A24-040	WASHER -----	1	
-14	MS21044N3	NUT -----	1	
		-----*		
CONTINUED ON NEXT PAGE				

# 182 & T182 Parts Catalog

## Ventilation System (Cont)



18263476 & ON



182 SERIAL 18262466 THRU 18264295

Figure 144. Cabin Ventilation System

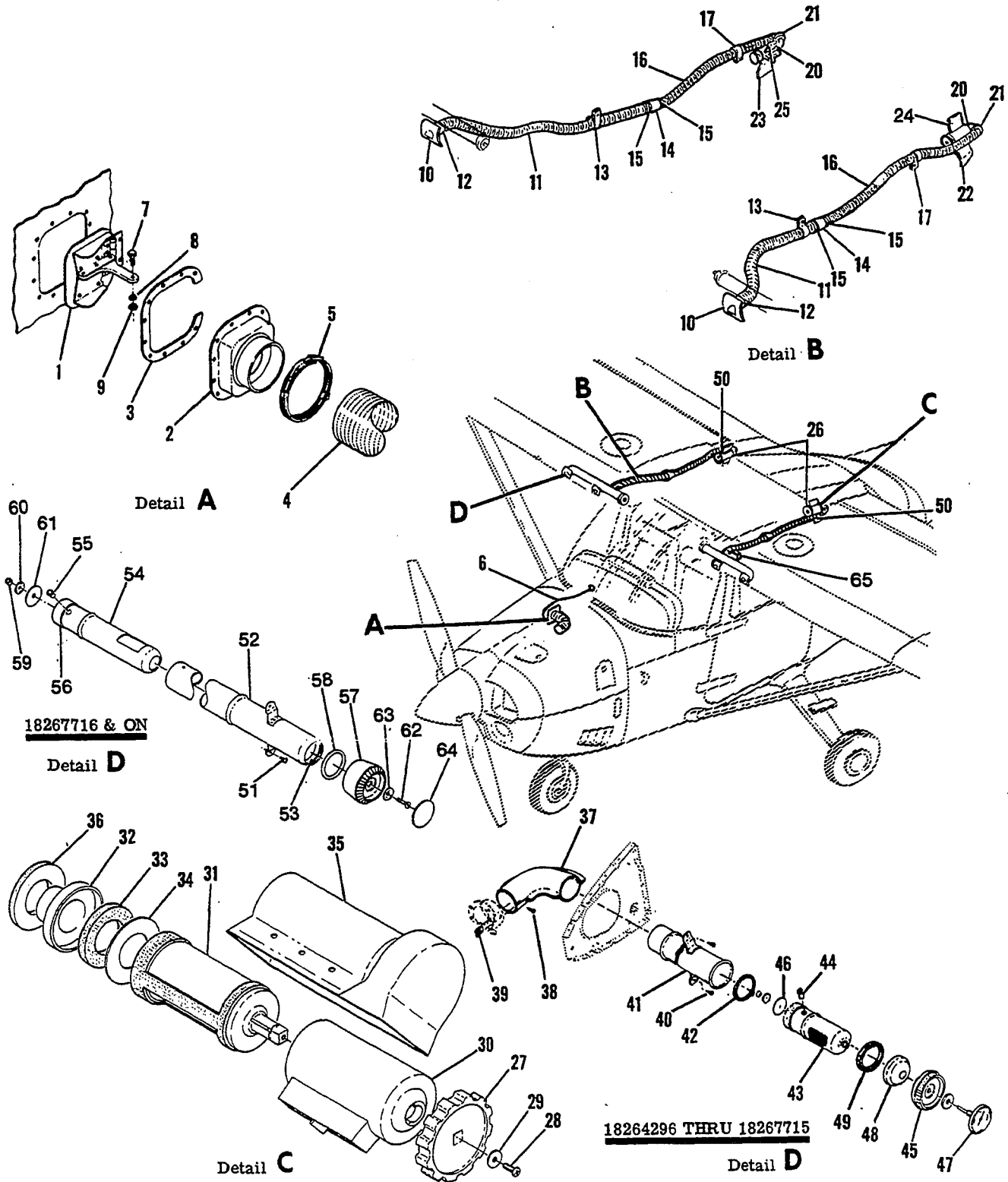
# 182 & T182 Parts Catalog

FIGURE AND INDEX NO.	PART NUMBER	DESCRIPTION							UNITS PER ASSY	USABLE ON CODE
		1	2	3	4	5	6	7		
144 -14A	0713536-1	CAP ASSY-AIR VENT -----							1	C C
-14B	S1441-2	SEAL -----							1	
-15	S1780-8	INSERT -----							2	
-16	1200637-2	REAR SEAT VENTS INSTALLATION -----							NP	
-17	S1053E8T	SCOOP-AIR -----							2	
		HOSE-12.00 IN LG BKI REF S1053E8T12.00 -----							2	
		ATTACHING PARTS -----								
-18	S1485D17U	CLAMP -----							1	
	S102178-10	SCREW -----							1	
-19	S1693-2	CLAMP -----							2	
		*-----								
-20	S1053E10T	HOSE-31.00 IN LG BKI REF S1053E10T31.00 -----							2	
		ATTACHING PARTS -----								
-21	S1693	CLAMP -----							2	
		*-----								
-22	1200691-1	TUBE-AIR DUCT DRAIN -----							2	
-23	0710013-4	SILENCER ASSY-AIR VENT -----							2	
		ATTACHING PARTS -----								
-24	0513420-3	BRACKET -----							1	
-25	0710014-15	BRACKET -----							1	
-26	0710014-12	CLAMP -----							1	
-27	AN515-8-10	SCREW -----							1	
	AN960-8	WASHER -----							1	
	MS21044N06	NUT -----							1	
		*-----								
-28	S1728-1	KNOB-SILENCER -----							1	
-29	AN960-10L	WASHER -----							1	
-30	0710015-13	SPRING-SILENCER -----							1	
-31	0713250-1	KNOB-SILENCER -----							1	
-32	0710014-8	ESCUTCHEON-SILENCER -----							1	
		ATTACHING PARTS -----								
-33	S1023A6-6C	SCREW -----							4	
		*-----								
-34	0710015-6	INSULATOR -----							1	
		OUTSIDE AIR VENT INSTALLATION-FORWARD -----							NP	
-35	0713135-2	DOOR ASSY-AIR VENT -----							1	
-36	0713139-1	INLET ASSY-AIR VENT -----							1	
-37	0713140-1	SEAL-AIR VENT -----							1	
-38	S1053E24T	HOSE-14.00 IN LG BKI REF S1053E24T14.00 -----							1	
		ATTACHING PARTS -----								
-39	NAS398-50	CLAMP -----							2	
		*-----								
-40	SEE NOTE*	CONTROL ASSY-FORWARD AIRVENT -----							1	
		ATTACHING PARTS -----								
-41	S2323-5	CLAMP -----							1	
-42	AN960-10L	WASHER -----							1	
-43	MS21044N3	NUT -----							1	
		*-----								
<p>NOTE. *REFER TO INSTRUMENT PANEL FIGURE.</p> <p>A---182 SERIAL 18262466 THRU 18264295            B---182 SERIAL 18262466 THRU 18263475            C---182 SERIAL 18263476 THRU 18264295</p>										



# 182 & T182 Parts Catalog

## Ventilation System (Cont)



18267716 & ON

18264296 THRU 18267715

**182 SERIAL 18264296 THRU 18268293**  
**F182 SERIAL F1820001 THRU F18200169**  
**T182 SERIAL 18267716 THRU 18268293**

Figure 145. Cabin Ventilation System

# 182 & T182 Parts Catalog

FIGURE AND INDEX NO.	PART NUMBER	DESCRIPTION							UNITS PER ASSY	USABLE ON CODE
		1	2	3	4	5	6	7		
145 -		CABIN VENTILATION SYSTEM -----							NP	A
		OUTSIDE AIR VENT INSTALLATION-FWD -----							NP	
- 1	0713135-2	DOOR ASSY-AIR VENT -----							1	
- 2	0713139-1	INLET ASSY-AIR VENT -----							1	
- 3	0713140-1	SEAL-AIRVENT -----							1	
- 4	S1053E24T	HOSE-14.00 IN LG	BKI	REF S1053E24T	14.00	-----		1		
		ATTACHING PARTS -----								
- 5	S2209-3	STA STRAP -----							2	
		-----*								
- 6	SEE NOTE *	CONTROL ASSY-FORWARD AIRVENT					SEE INST PANEL	-----	1	
		ATTACHING PARTS -----								
- 7	S2323-5	CLAMP -----							1	
- 8	AN960-10L	WASHER -----							1	
- 9	MS21044N3	NUT -----							1	
		-----*								
		REAR SEAT VENTS INSTALLATION -----							NP	
-10	1200637-2	SCOOP-AIR -----							2	
-11	S1053E10T	HOSE-26.00 IN LG	BKI	REF S1053E10T	26.00	IN LG	----	2		
		ATTACHING PARTS -----								
-12	S1891-20	CLAMP -----							1	
-13	S1485D20U	CLAMP -----							1	
	S1021Z10-10	SCREW -----							1	
		-----*								
-14	1200691-1	DRAIN FITTING-REAR SEAT VENT -----							2	
		ATTACHING PARTS -----								
-15	S2209-2	TIE -----							2	
		-----*								
-16	S1053E8T	HOSE-31.00 IN LG	BKI	S1053E8T	31.00	IN LG	----	2		
		ATTACHING PARTS -----								
-17	S1485D16U	CLAMP -----							2	
	S1021Z10-10	SCREW -----							2	
		-----*								
-18		DELETED NOT PROCURABLE -----								
-19		DELETED NOT PROCURABLE -----								
-20		DELETED NOT PROCURABLE -----								
-21	S1050-1-4.33	GROMMET -----							2	
-22	0711829-5	BRACKET ASSY-LH -----							1	
-23	0711829-6	BRACKET ASSY-RH -----							1	
		ATTACHING PARTS -----								
	AN520-8R6	SCREW -----							2	
		-----*								
	NAS395-14-3	NUT -----							3	
-24	0711828-1	BRACKET ASSY-LH -----							1	
-25	0711828-2	BRACKET ASSY-RH -----							1	
		ATTACHING PARTS -----								
	AN520-8R6	SCREW -----							2	
		-----*								
	NAS696A08	NUTPLATE -----							2	
	2201047-1	DOUBLER ASSY -----							2	
	NAS395-14-3	NUT -----							3	
	0715068-1	ESCUTCHEON-REAR AIR VENT LH -----							1	
	0715068-2	ESCUTCHEON-REAR AIR VENT RH -----							1	
		ATTACHING PARTS -----								
	S1022Z8-8C	SCREW -----							4	
		-----*								
-26	1210112-29	VALVE ASSY-FRESH AIR -----							2	
		ATTACHING PARTS -----								
	S1022Z8-6	SCREW -----							6	
		-----*								
-27	1210112-4	WHEEL-FRESH AIR VALVE -----							1	
		ATTACHING PARTS -----								
-28	S1021A6-8	SCREW -----							1	
-29	S1450-1A8-032	WASHER -----							1	
		-----*								
-30	1210112-22	TUBE ASSY-OUTER -----							1	
-31	1210112-23	TUBE ASSY-INNER -----							1	
-32	1210112-13	CONNECTOR ASSY -----							1	
-33	1210112-11	SEAL -----							1	
-34	1210112-28	SEAL -----							1	
-35	0711848-1	HOUSING -----							1	
-36	0711848-2	SEAL -----							1	

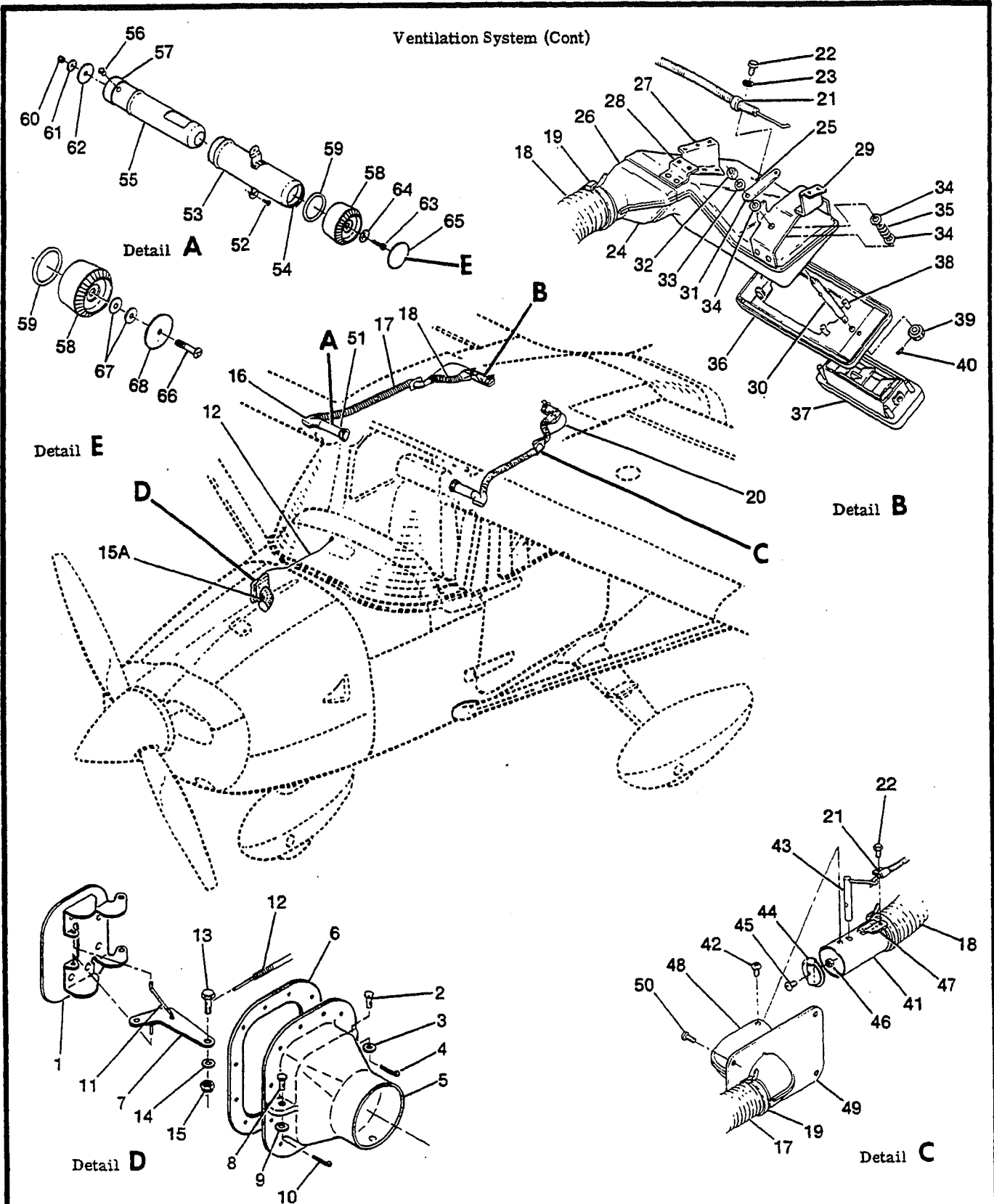
CONTINUED ON NEXT PAGE

# 182 & T182 Parts Catalog

FIGURE AND INDEX NO.	PART NUMBER	DESCRIPTION	UNITS PER ASSY	USABLE
				ON CODE
		1 2 3 4 5 6 7		
145 -37	0450314	FITTING-CABIN VENTILATION FORWARD -----	2	
		ATTACHING PARTS -----		
-38	S1021Z8-8	SCREW -----	1	
-39	NAS446-4-3	NUT -----	1	
		*-----		
	0413163-203	OUTLET ASSY-LH -----	1	B
	0413163-204	OUTLET ASSY-RH -----	1	B
		ATTACHING PARTS -----		
-40	S1021Z8-6	SCREW -----	2	B
		*-----		
-41	0413163-28	TUBE ASSY-RH -----	1	B
	0413163-27	TUBE ASSY-LH -----	1	B
-42	0413163-58	SEAL-FELT -----	1	B
-43	0413163-18	OUTLET-CABIN VENTILATION -----	1	B
-44	S2024-1	CATCH-BULLET -----	2	B
-45	S1834-1	KNOB -----	2	B
-46	S1450-5A24-040	WASHER -----	1	B
-47	C668507-0101	GAGE-OUTSIDE AIR TEMPERATURE -----	1	
-48	0713536-1	CAP ASSY-AIR VENT -----	1	B
-49	S1441-2	SEAL -----	1	B
-50	S2195-2	TRIM-2.60 IN LG BKI REF S2195-2-2.60 IN LG -----	2	
	S1948-2	EXTRUSTON-3.50 IN LG BKI REF S1948-2-3.50 IN LG -----	2	
	0713354-200	OUTLET ASSY-CABIN AIR VENT -----	1	C
	0713354-201	OUTLET ASSY-CABIN AIR VENT -----	1	C
		ATTACHING PARTS -----		
-51	S1021Z8-10	SCREW -----	2	C
		*-----		
-52	0713355-2	TUBE ASSY-RH -----	1	C
	0713355-1	TUBE ASSY-LH -----	1	C
-53	0413601-2	RUB STRIP -----	1	C
-54	0413155-12	OUTLET ASSY-CABIN AIR VENT -----	1	C
-55	S2024-1	CATCH-BULLET -----	1	C
-56	0413601-1	RUB STRIP -----	1	C
-57	0413599-1	KNOB-CABIN AIR -----	1	C
-58	MS9069-136	PACKING -----	1	C
-59	MS21044N3	NUT -----	1	C
-60	0413228	WASHER -----	1	C
-61	S1450-5A24-040	WASHER -----	1	C
-62	AN507-1032R14	SCREW -----	1	C
-63	S29001032	WASHER -----	1	C
-64	S1780-8	INSERT -----	1	C
-65	1213618-1	RETAINER-VENT HOSE LH -----	1	
	1213618-1	RETAINER-VENT HOSE RH -----	1	
		ATTACHING PARTS -----		
		SCREW -----	2	
		*-----		
<p>NOTE. &lt;THIS PART NUMBER MUST HAVE A SECOND DASH NUMBER ADDED TO DENOTE COLOR. REFER TO HOW TO ORDER INTERIOR PARTS-PAGE XII.</p> <p>A---182 SERIAL 18264296 THRU 18268293  F182 SERIAL F18200001 THRU F18200169  T182 SERIAL 18267716 THRU 18268293</p> <p>B---182 SERIAL 18264296 THRU 18267715  F182 SERIAL F18200001 THRU F18200169</p> <p>C---182 &amp; T182 SERIAL 18267716 THRU 18268293</p>				

# 182 & T182 Parts Catalog

## Ventilation System (Cont)



182 & T182 SERIAL 18268294 & ON

Figure 145A. Cabin Ventilation System

# 182 & T182 Parts Catalog

FIGURE AND INDEX NO.	PART NUMBER	DESCRIPTION							UNITS PER ASSY	USABLE ON CODE
		1	2	3	4	5	6	7		
145A-		CABIN VENTILATION SYSTEM -----							NP	A
		OUTSIDE AIR VENT INSTALLATION-FWD -----							NP	
- 1	1213997-1	DOOR ASSY-AIR VENT -----							1	
		ATTACHING PARTS -----								
- 2	MS20392-1C7	PIN -----							2	
- 3	AN960-4	WASHER -----							2	
- 4	MS24665-132	COTTER PIN -----							2	
		-----*								
- 5	1213996-1	HOUSING-AIR VENT -----							1	
- 6	1218001-1	SEAL -----							1	
- 7	1213998-1	LEVER -----							1	
		ATTACHING PARTS -----								
- 8	MS20392-1C7	PIN -----							1	
- 9	AN960-4	WASHER -----							1	
-10	MS24665-132	COTTER PIN -----							1	
		-----*								
-11	1213999-1	LINK -----							1	
-12	SEE FIG 101A	CONTROL ASSY-CABIN AIR FWD -----							1	
		ATTACHING PARTS -----								
-13	S2323-5	CLAMP -----							1	
-14	AN960-10L	WASHER -----							1	
-15	MS21044N3	NUT -----							1	
		-----*								
-15A	S1053E20T	HOSE-14.00 IN LG BKI REF S1053E24T14.00 -----							1	
	S2209-3	ATTACHING PARTS -----								
		CLAMP -----							2	
		-----*								
		VENT INSTALLATION-REAR SEATS -----							NP	
-16	2220000-2	DUCT ASSY REPLACES STD 2220000-1 -----							2	
-17	S1053E12T	DUCT 21.30 IN LG BKI REF S1053E12-21.30 -----							2	
-18	S1053E12T	DUCT 8.00 IN LG BKI REF S1053E12-8.00 -----							2	
		ATTACHING PARTS -----								
-19	S2209-2	TIE -----							2	
		-----*								
-20	2260125-7	CONTROL ASSY-CABIN AIR AFT -----							2	
		ATTACHING PARTS -----								
-21	S2226-2	CLAMP -----							2	
-22	AN3-4A	BOLT -----							2	
-23	AN960-10L	WASHER -----							2	
		-----*								
-24	0501111-8	DUCT ASSY-RH -----							1	
	0501111-7	DUCT ASSY-LH -----							1	
-25	NAS680A3	NUTPLATE -----							1	
-26	2201105-1	ADAPTOR ASSY-RH -----							1	
	2201105-2	ADAPTOR ASSY-LH -----							1	
-27	2201124-2	BRACKET-RH -----							1	
	2201124-1	BRACKET-LH -----							1	
-28	2201119-1	BRACKET -----							2	
-29	0701137-2	BRACKET ASSY-REAR AIR VENTS RH -----							1	
	0701137-1	BRACKET ASSY-REAR AIR VENTS LH -----							1	
-30	2201118-1	SHAFT -----							2	
-31	0701138-1	ARM -----							2	
		ATTACHING PARTS -----								
-32	MS21042-3	NUT -----							1	
-33	AN960-A10	WASHER -----							1	
		-----*								
-34	AN960-416L	WASHER -----							3	
-35	0710015-13	SPRING -----							1	
-36	0501117-3-532	COVER ASSY -----							2	
-37	100-1-2M	LOUVER ASSY -----							1	
		ATTACHING PARTS -----								
-38	C2252-064-4	CLIP -----							4	
		-----*								
-39	S1728-4	KNOB ASSY-CABIN AIR AFT RH -----							1	
	S1728-1	KNOB ASSY-CABIN AIR AFT LH -----							1	
		ATTACHING PARTS -----								
-40	AN565D8H5	SET SCREW -----							1	
		-----*								

CONTINUED ON NEXT PAGE

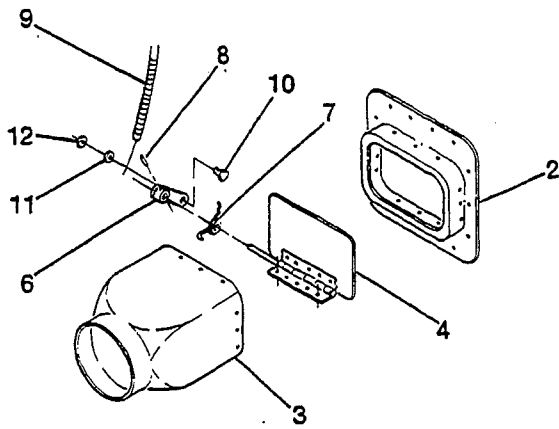
# 182 & T182 Parts Catalog

FIGURE AND INDEX NO.	PART NUMBER	DESCRIPTION							UNITS PER ASSY	USABLE ON CODE
		1	2	3	4	5	6	7		
145A-41	0501123-1	VALVE ASSY-FRESH AIR -----							2	B B C  B B B C C C
-42	S1021Z8-8	ATTACHING PARTS -----							2	
-43	0501123-9	SCREW -----							1	
-44	0501123-4	*-----							1	
	0501123-2	SHAFT ASSY -----							1	
	0501123-3	VALVE ASSY -----							1	
-45	AN515-6R10	SEAL -----							1	
-46	MS21044N06	STIFFNER -----							2	
-47	0501123-5	ATTACHING PARTS -----							1	
	NAS682A3	SCREW -----							1	
-48	0501125-1	NUT -----							1	
-49	0501125-4	*-----							2	
-50	S1021Z8-8	BRACKET ASSY -----							1	
-51	0713354-202	NUTPLATE -----							1	
	0713354-203	ELBOW ASSY -----							2	
-52	S1021Z8-10	PLATE -----							2	
-53	0713355-6	ATTACHING PARTS -----							4	
-54	0413601-2	SCREW -----							1	
-55	0413155-13	*-----							1	
-56	S2024-1	TUBE ASSY RH -----							1	
-57	0413601-1	TUBE ASSY LH -----							1	
-58	1200018-3	RUB STRIP -----							1	
-59	0413599-1	OUTLET ASSY-CABIN AIR VENT -----							1	
-60	MS9068-136	CATCH-BULLET -----							1	
-61	0413228	RUB STRIP -----							1	
-62	S1450-3-14-063	ELEMENT-AIR FILTER -----							1	
-63	S1450-5A24-040	KNOB-CABIN AIR -----							1	
-64	AN507-1032R14	PACKING -----							1	
-65	S290D1032	NUT -----							1	
-66	S1780-9	WASHER -----							1	
-67	NAS221-13	WASHER -----							1	
-68	S1450-3-14-063	SCREW -----							1	
	0713354-10	WASHER -----							1	
		SCREW -----							2	
		WASHER -----							1	
		INSERT -----							1	
		SCREW -----							1	
		WASHER -----							2	
		INSERT -----							1	

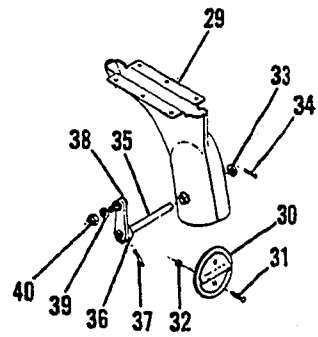
A---182 & T182 SERIAL 18268294 & ON  
 B---182 & T182 SERIAL 18268294 THRU 18268334  
 C---182 & T182 SERIAL 18268335 & ON

# 182 & T182 Parts Catalog

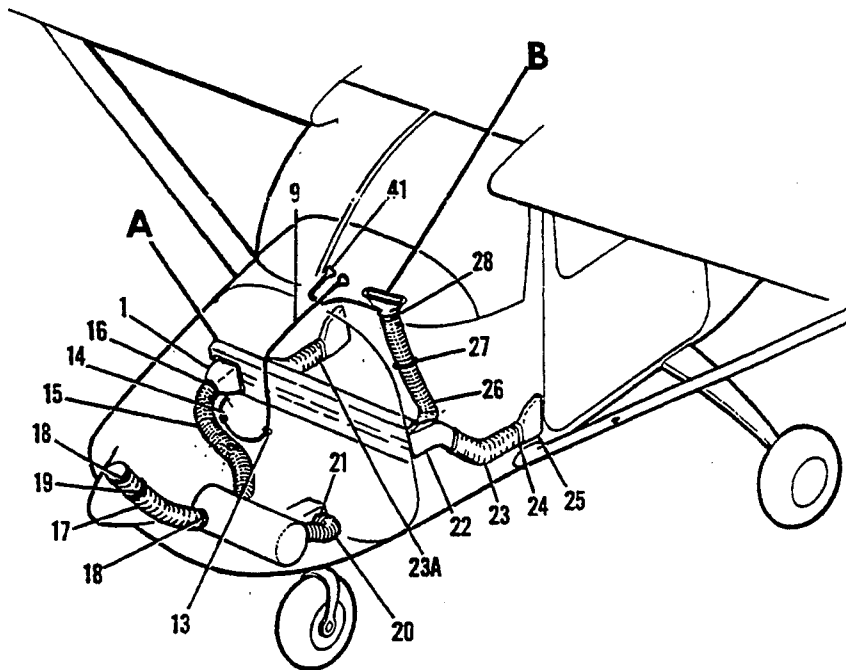
## Heating System



Detail A



Detail B



**182 SERIAL 18262466 & ON**  
**F182 SERIAL F1820001 THRU F18200169**  
Figure 146. Cabin Heating & Defrosting System

# 182 & T182 Parts Catalog

FIGURE AND INDEX NO.	PART NUMBER	DESCRIPTION	UNITS PER ASSY	USABLE ON
				CODE
146 -		CABIN HEATING & DEFROSTING SYSTEM -----	NP	C
- 1	0453016-1	VALVE ASSY-WARM AIR -----	1	A
	0453016-2	VALVE ASSY-WARM AIR -----	1	B
- 2	0453020-1	SEAT-WARM AIR VALVE -----	1	
- 3	0453017-1	BODY ASSY-VALVE -----	1	
- 4	0453018-1	VALVE PLATE ASSY -----	1	
- 5		DELETED NOT USED -----		
		DELETED NOT USED -----		
- 6	1253037-1	ARM-CONTROL -----	1	A
	1253037-12	ARM-CONTROL -----	1	B
		ATTACHING PARTS		
- 7	1253041-1	SPRING -----	1	
- 8	NAS561C2-8	ROLL PIN -----	1	
		-----*		
- 9	S1241-37	CONTROL ASSY-CABIN HEAT -----	1	
		ATTACHING PARTS		
-10	S2323-5	CLAMP -----	1	
-11	AN960-10L	WASHER -----	1	
-12	MS21044N3	NUT -----	1	
-13	MS21919DG3	CLAMP -----	1	
	NAS43DD3-28	SPACER -----	1	
	S1021Z8-14	SCREW -----	1	
	0713307-8	CLAMP -----	1	
-14	0713307-1	MOUNT -----	1	
	AN520-10R28	SCREW -----	1	
	AN960-10	WASHER -----	2	
	S1399-1-8.00	SLEEVE -----	1	
	S2209-1	TIE -----	1	
		-----*		
-15	S1053E24T	HOSE-25.50 IN LG BKI REF S1053E24T25.50 -----	1	
		ATTACHING PARTS		
-16	NAS398-50	CLAMP -----	2	
		-----*		
-17	S1053K24T	HOSE-16.0 IN LG BKI REF S1053K24T16.0 -----	1	
		ATTACHING PARTS		
-18	NAS398-50	CLAMP -----	2	
-19	AN742D50	CLAMP -----	1	
	AN742D36	CLAMP -----	1	
	S1021Z10-8	SCREW -----	1	
	NAS488-10	NUT -----	1	
		-----*		
-20	S1053K20T	HOSE-26.0 IN LG BKI REF S1053K20T26.0 -----	1	
		ATTACHING PARTS		
-21	NAS398-42	CLAMP -----	2	
		-----*		
-22	0713719-1	ADAPTER-HEATER DUCT LH -----	1	
	0713719-2	ADAPTER-HEATER DUCT RH -----	1	
-23	S1110ET	DUCT-LH 19.5 IN LG BKI REF S1110ET19.50 -----	1	A
	S1110ET	DUCT-LH 21.00 IN LG BKI REF S1110ET21.00 -----	1	B
-23A	S1110ET	DUCT-RH 19.5 IN LG BKI REF S1110ET19.5 -----	1	
		ATTACHING PARTS		
-24	S2209-3	STA STRAP -----	2	
		-----*		
-25	1250503-1	DUCT-HOT AIR OUTLET LH -----	1	
	1250503-2	DUCT-HOT AIR OUTLET RH -----	1	
		ATTACHING PARTS		
	S1021Z8-6	SCREW -----	2	
		-----*		
-26	S1053E16T	HOSE-24.0 IN LG BKI REF S1053E16T -----	1	
		ATTACHING PARTS		
-27	AN742D32	CLAMP -----	1	
	S1021Z8-6	SCREW -----	1	
	NAS446-4-1	NUT -----	1	
-28	S2536-124	CLAMP -----	2	
		-----*		
-29	0713952-1	NOZZLE ASSY-DEFROST -----	1	

CONTINUED ON NEXT PAGE



# 182 & T182 Parts Catalog

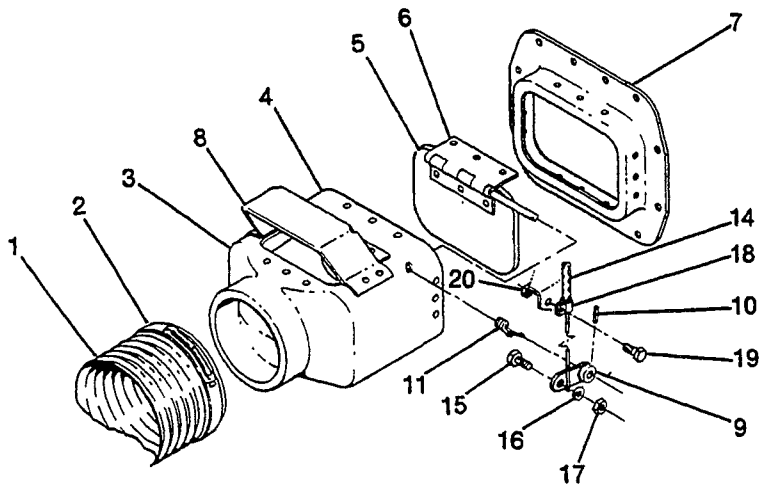
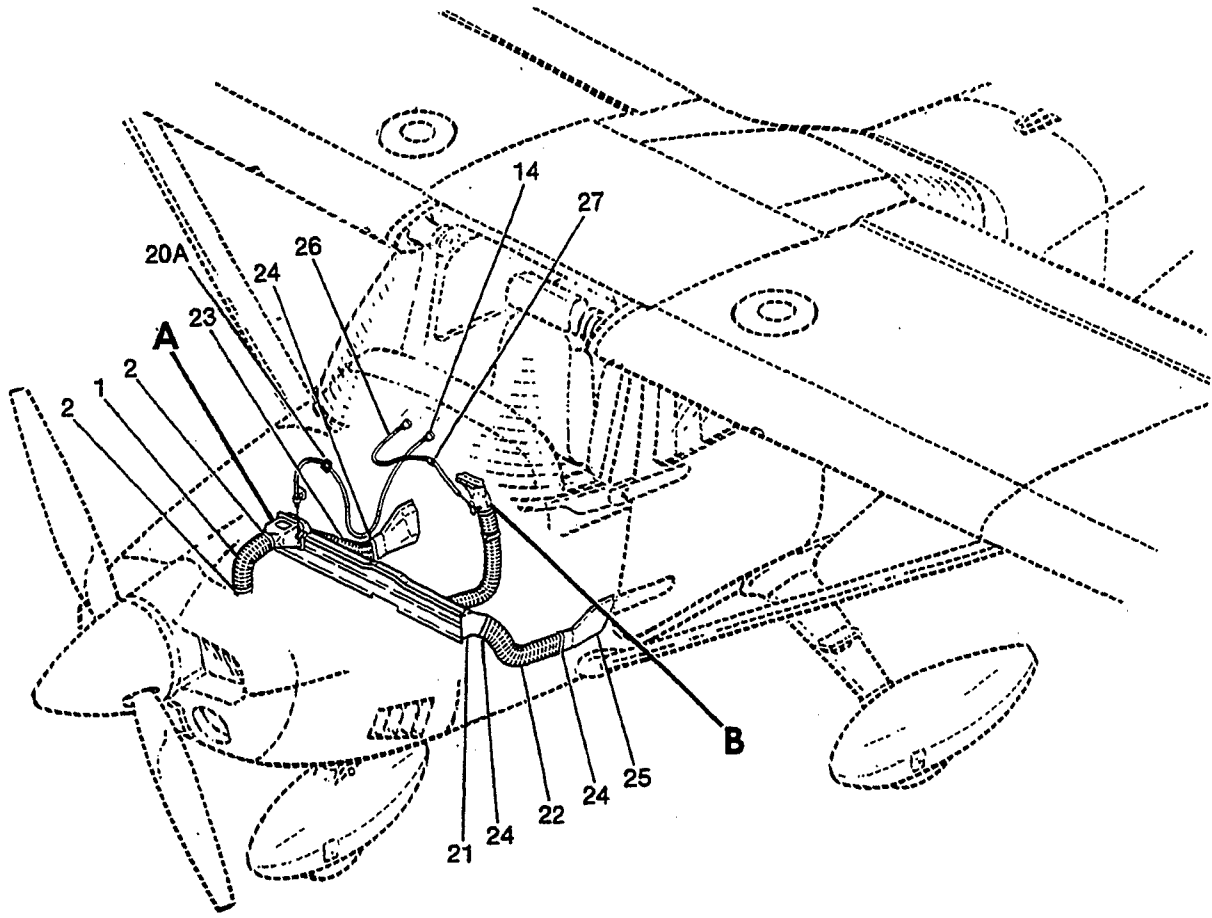
FIGURE AND INDEX NO.	PART NUMBER	DESCRIPTION							UNITS PER ASSY	USABLE ON CODE
		1	2	3	4	5	6	7		
146 -30	1250116-1	VALVE ASSY-DEFROST -----							1	
		ATTACHING PARTS -----								
-31	AN515-6R10	SCREW -----							2	
-32	NAS696A06LK	NUT -----							2	
		*-----								
	1250115-3	LEVER ASSY-VALVE -----							1	
		ATTACHING PARTS -----								
-33	AN960-416L	WASHER -----							1	
-34	MS24665-132	COTTER PIN -----							1	
		*-----								
-35	1250115-4	SHAFT -----							1	
-36	0713019-24	ARM ASSY -----							1	
-37	MS16562-16	ROLL PIN -----							1	
-38	S2323-5	CLAMP -----							1	
-39	AN960-10L	WASHER -----							1	
-40	MS21044N3	NUT -----							1	
-41	SEE FIG 55	CONTROL ASSY-DEFROST -----							1	
		<p>A---182 SERIAL 18262466 THRU 18266414            F182 SERIAL F18200001 THRU F18200064</p> <p>B---182 SERIAL 18266415 &amp; ON            F182 SERIAL F18200065 THRU F18200169</p> <p>C---182 SERIAL 18262466 &amp; ON            F182 SERIAL F18200001 THRU F18200169</p>								

# 182 & T182 Parts Catalog

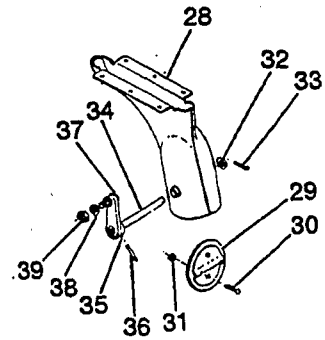
FIGURE AND INDEX NO.	PART NUMBER	DESCRIPTION							UNITS PER ASSY	USABLE ON CODE
		1	2	3	4	5	6	7		
147 -		CABIN HEATING & DEFROSTING SYSTEM -----							NP	A
- 1	S1053K24T	HOSE 11.00 IN LG BKI REF S1053K24T 11.00 IN LG --							1	
- 2	S1891-48	ATTACHING PARTS CLAMP -----							2	
- 3	0453016-3	*----- VALVE ASSY-WARM AIR -----							1	
- 4	0453017-3	VALVE BODY ASSY-CABIN HEAT -----							1	
- 5	0453018-2	DOOR ASSY-VALVE -----							1	
- 6	0453018-3	HINGE ASSY -----							1	
- 7	0453020-2	SEAT-VALVE -----							1	
- 8	2253032-1	DEFLECTOR-AIR VALVE -----							1	
- 9	1253037-12	ARM ASSY -----							1	
-10	NAS561C2-8	ATTACHING PARTS ROLL PIN -----							1	
		*-----								
		CONTINUED ON NEXT PAGE								

# 182 & T182 Parts Catalog

## Heating & Defrosting



Detail A



Detail B

**T182 SERIAL 18267716 & ON**

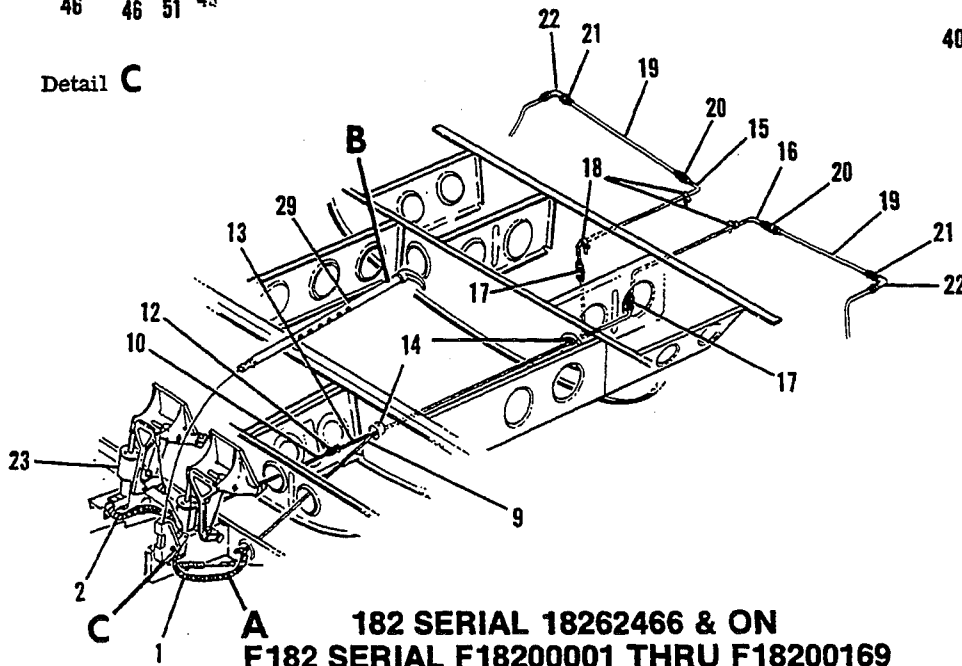
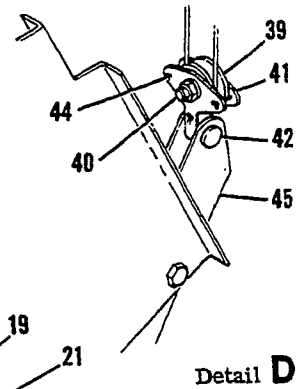
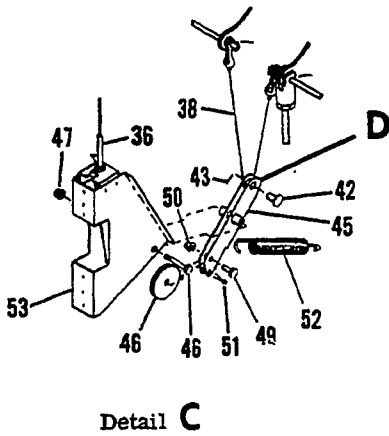
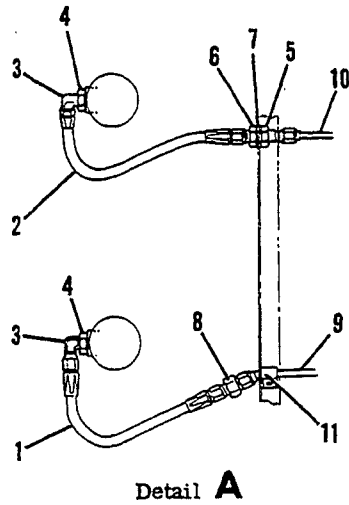
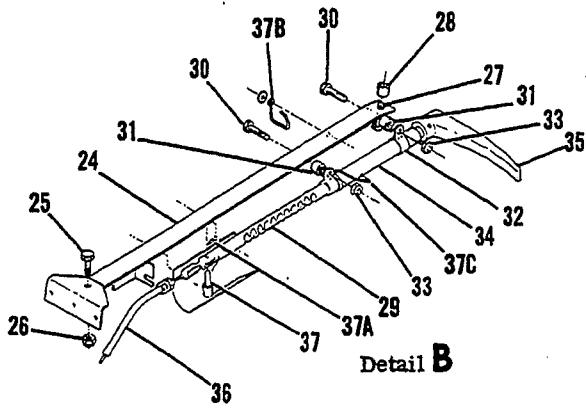
Figure 147. Cabin Heating & Defrosting System

# 182 & T182 Parts Catalog

FIGURE AND INDEX NO.	PART NUMBER	DESCRIPTION							UNITS PER ASSY	USABLE ON CODE
		1	2	3	4	5	6	7		
147 -11	1253041-1	SPRING -----							1	B B C C
-12		DELETED NOT USED -----								
-13		DELETED NOT USED -----								
-14	S1241-37	CONTROL ASSY-CABIN HEAT -----							1	
		ATTACHING PARTS -----								
-15	S2323-5	CLAMP -----							1	
-16	AN960-10L	WASHER -----							1	
-17	MS21045L3	NUT -----							1	
-18	S2226-1	CLAMP -----							1	
-19	AN3-3A	BOLT -----							1	
-20	MS20365-1032C	NUT -----							1	
		*-----								
-20A	S2226-1	CLAMP -----							1	
	NAS43DD3-48	SPACER -----							1	
	AN3-10A	BOLT -----							1	
	S1021Z8-24	SCREW -----							1	
	NAS43DD3-72	SPACER -----							1	
-21	0713719-1	ADAPTOR-HEATER DUCT LH -----							1	
	0713719-2	ADAPTOR-HEATER DUCT RH -----							1	
-22	S1110ET	DUCT-CABIN HEAT LH -----							1	
-23	S1110ET	DUCT-CABIN HEAT RH -----							1	
		ATTACHING PARTS -----								
-24		CLAMP -----							2	
		*-----								
-25	1250503-1	DUCT ASSY-CABIN AIR LH -----							1	
	1250503-2	DUCT ASSY-CABIN AIR RH -----							1	
		ATTACHING PARTS -----								
	1213412-11	SUPPORT -----							1	
	S1021A4-6	SCREW -----							2	
		*-----								
-26	S1268-14	CONTROL ASSY-DEFROSTER -----							1	
		ATTACHING PARTS -----								
-27	AN742D3	SCREW -----							1	
	S1021Z8-8	NUT -----							1	
		*-----								
-28	0713952-1	NOZZLE ASSY-DEFROSTER -----							1	
-29	1250116-1	VALVE ASSY-DEFROSTER -----							1	
		ATTACHING PARTS -----								
-30	AN515-6R10	SCREW -----							1	
-31	MS21044N06	NUT -----							1	
		*-----								
	1250115-3	LEVER ASSY-DEFROSTER VALVE -----							1	
		ATTACHING PARTS -----								
-32	AN960-416L	WASHER -----							1	
-33	MS24665-132	PIN-COTTER -----							1	
		*-----								
-34	1250115-4	SHAFT -----							1	
-35	0713019-24	ARM ASSY -----							1	
-36	MS16562-16	ROLL PIN -----							1	
-37	S2323-5	CLAMP -----							1	
-38	AN960-10L	WASHER -----							1	
-39	MS21044N3	NUT -----							1	
-40	S1053E16T	HOSE-24.0 IN LG BKI REF S1053E16T 24.0 IN LG -----							1	
		ATTACHING PARTS -----								
-41	AN742D32	CLAMP -----							1	
	S1021Z8-6	SCREW -----							1	
	NAS446-4-1	NUT -----							1	
-42	NAS397-32	CLAMP -----							2	
		*-----								
		A---T182 SERIAL 18267716 & ON B---T182 SERIAL 18267716 THRU 18268055 C---T182 SERIAL 18268056 & ON								

# 182 & T182 Parts Catalog

## Brake System (Cont)



**182 SERIAL 18262466 & ON**  
**F182 SERIAL F18200001 THRU F18200169**  
**T182 SERIAL 18267716 & ON**

Figure 148. Brake System Installation

# 182 & T182 Parts Catalog

FIGURE AND INDEX NO.	PART NUMBER	DESCRIPTION	UNITS PER ASSY	USABLE ON CODE		
					1	2
148 -		BRAKE SYSTEM INSTALLATION -----	NP	A		
- 1	S2178C3-0083	HOSE ASSY-BRAKE LINE LH -----	1			
- 2	S2178-3-0074	HOSE ASSY-BRAKE LINE RH -----	1			
		ATTACHING PARTS -----				
- 3	AN921-3D	ELBOW -----	1			
	022-30001D0403 @	ELBOW -----	1	C		
- 4	AN924-3D	NUT -----	1			
	MS28778-3	PACKING -----	1			
	AN924-4D @	NUT -----	1	C		
	MS28778-4 @	PACKING -----	1	C		
		-----*				
- 5	AN924-3D	NUT -----	1			
- 6	AN832-3D	UNION -----	1			
- 7	AN960PD616	WASHER -----	2			
- 8	0782001-1	ADAPTER -----	1			
- 9	0700099-99	LINE ASSY LH-BRAKE -----	1			
-10	0700099-98	LINE ASSY RH-BRAKE -----	1			
-11	MS21919D63	CLAMP -----	1			
	S1021Z8-6	SCREW -----	1			
	NAS446-4-3	NUTPLATE -----	1			
	0713272-1	BRACKET -----	1			
-12	AN815-3D	UNION -----	1			
-13	0700099-86	LINE ASSY-BRAKE -----	1			
-14	MS21919D63	CLAMP -----	2			
	MS21919D64	CLAMP -----	2			
	S1021Z8-10	SCREW -----	2			
	0713272-1	BRACKET -----	2			
	NAS446-4-3	NUT -----				
-15	0700099-88	LINE ASSY RH-BRAKE -----	1			
-16	0700099-89	LINE ASSY LH-BRAKE -----	1			
		ATTACHING PARTS -----				
-17	AN815-3D	UNION -----	1			
		-----*				
-18	S1486D63L	CLAMP -----	3			
	S1021Z8-10	SCREW -----	3			
	AN743-12	BRACKET-SUPPORT CLAMP -----	3			
		ATTACHING PARTS -----				
	AN515-6R8	SCREW -----	1			
	AN960-6L	WASHER -----	1			
	MS21045L06	NUT -----	1			
		-----*				
-19	0700099-90	LINE ASSY-BRAKE -----	2			
		ATTACHING PARTS -----				
-20	AN815-3D	UNION -----	1			
-21	AN924-3D	NUT -----	1			
	AN960PP616	WASHER -----	2			
-22	AN833-3D	ELBOW -----	1			
		-----*				
-23	SEE FIG 150	MASTER CYLINDER INSTALLATION -----	1			
-24	0713693-2	PARKING BRAKE INSTALLATION -----	NP			
		SUPPORT ASSY-PARKING BRAKE -----	1			
		ATTACHING PARTS -----				
-25	AN3-3A	BOLT -----	1			
-26	MS21044N3	NUT -----	1			
-27	AN3-7A	BOLT -----	1			
-28	NAS43D03-28	SPACER -----	1			
		-----*				
-29	0813150-75	HANDLE ASSY-PARKING BRAKE -----	1			
		ATTACHING PARTS -----				
-30	AN3-6A	BOLT -----	2			
-31	0713070-32	SPACER -----	2			
-32	AN735-8	CLAMP -----	1			
-33	MS21044N3	NUT -----	2			
-34	0813156-4	HOUSING ASSY-BRAKE -----	1			
		-----*				
-35	0811490-75	HANDLE-PARKING BRAKE -----	1			
	0813150-73	TUBE-PARKING BRAKE -----	1			
	NAS561-5-12	ROLL PIN EN -----	1			

CONTINUED ON NEXT PAGE

# 182 & T182 Parts Catalog

FIGURE AND INDEX NO.	PART NUMBER	DESCRIPTION							UNITS PER ASSY	USABLE ON CODE
		1	2	3	4	5	6	7		
148 -36	0713693-3 0713693-4	CABLE ASSY -----							1	B C
		CABLE ASSY STAINLESS STEEL -----							1	
		ATTACHING PARTS -----								
-37	0713070-6	POSITIONING ARM -----							1	
-37A	MS24665-132	COTTER PIN -----							1	
		*-----								
-37B	0713070-24 *	SPRING-CATCH DISCONTINUED -----							1	
-37C	0513154-1	SPRING-CATCH -----							1	
-38	0510105-233	CABLE -----							1	
	0510105-279	CABLE -----							1	
-39	S1710-1	PULLEY -----							1	
		ATTACHING PARTS -----								
-40	AN3-6A	BOLT -----							1	
	0411783	BUSHING -----							1	
	AN960-10L	WASHER -----							1	
	MS21044N3	NUT -----							1	
		*-----								
-41	0713959-1	BRACKET ASSY -----							1	
		ATTACHING PARTS -----								
-42	MS20392-4C13	PIN -----							1	
-43	MS24665-281	COTTER PIN -----							1	
		*-----								
-44	MS24665-134	COTTER PIN -----							1	
-45	0713070-9	BELLCRANK ASSY -----							1	
		ATTACHING PARTS -----								
-46	AN3-13A	BOLT -----							1	
	0713070-19	SPACER -----							1	
-47	MS21044N3	NUT -----							1	
		*-----								
-48	S378-1L	PULLEY -----							1	
		ATTACHING PARTS -----								
-49	AN3-5A	BOLT -----							1	
-50	MS21044N3	NUT -----							1	
		*-----								
-51	MS24665-132	COTTER PIN -----							1	
-52	0713625-1	SPRING -----							1	
-53	0713070-20	BRACKET-PARKING BRAKE CONTROL -----							1	
<p>NOTE. *WHEN INITIALLY ORDERING THIS PART FOR AIRPLANES PRIOR TO SERIAL 18264902 ORDER 0713070-32 SPACER AND 0513154-1 CATCH SPRING.</p> <p>NOTE. @THIS PART IS USED WITH 055050-1DEV MASTER BRAKE CYLINDER, REFER TO FIGURE 150.</p> <p>A---182 SERIAL 18262466 &amp; ON F182 SERIAL F18200001 THRU F18200169 T182 SERIAL 18267716 &amp; ON</p> <p>B---182 SERIAL 18262466 THRU 18267789 F182 SERIAL F18200001 THRU F18200169</p> <p>C---182 SERIAL 18267790 &amp; ON T182 SERIAL 18267716 &amp; ON</p>										

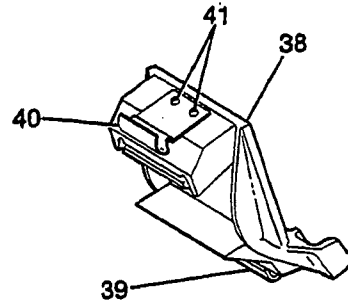
# 182 & T182 Parts Catalog

FIGURE AND INDEX NO.	PART NUMBER	DESCRIPTION	UNITS PER ASSY	USABLE ON CODE
149 -		BRAKE & RUDDER PEDALS INSTALLATION -----	NP	A
- 1	1460320-1	PEDAL ASSY-BRAKE & RUDDER -----	2	
- 2	0760678-1	PEDAL ASSY-BRAKE & RUDDER -----	1	
- 3	0760678-2	PEDAL ASSY-BRAKE & RUDDER -----	1	
		ATTACHING PARTS		
- 4	1460501-21	SHAFT -----	1	
- 5	MS24665-285	COTTER PIN -----	2	
- 6	0760682-1	SPRING-ANTI RATTLE -----	1	
		-----*		
- 7	SEE FIG 150	CYLINDER ASSY-BRAKE -----	2	
		ATTACHING PARTS		
- 8	0541140	CLEVIS -----	1	B
	AN316-4R	NUT-JAMB -----	1	B
- 9	0760669-1	PIN -----	1	
	S1438-2	WASHER -----	AR	
	MS24665-132	COTTER PIN -----	1	
-10	0411778-2	SHAFT -----	1	
	MS24665-132	COTTER PIN UPPER -----	1	
-11	MS20392-2C15	PIN-CLEVIS -----	1	
-12	MS24665-132	COTTER PIN LWR -----	1	
		-----*		
CONTINUED ON NEXT PAGE				

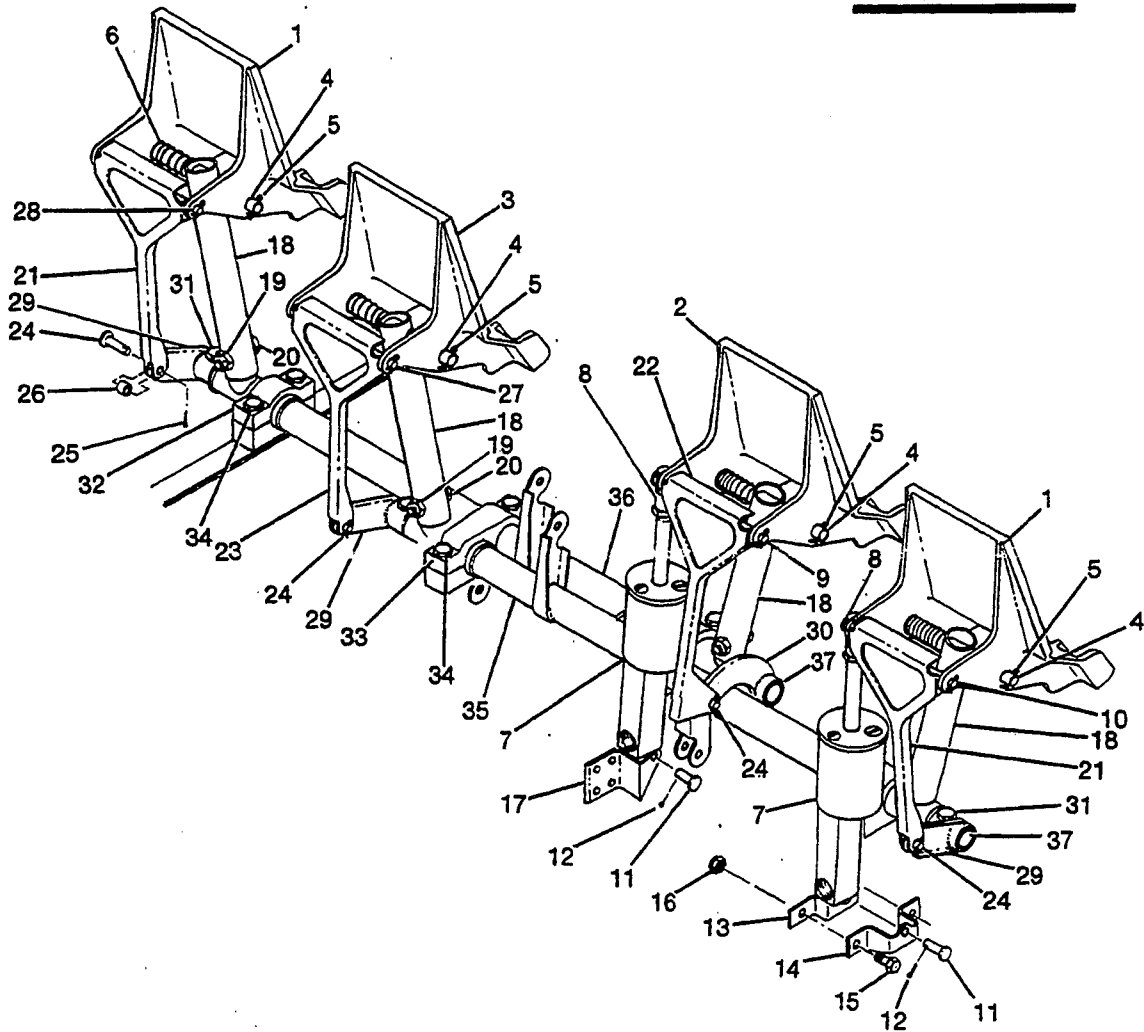


# 182 & T182 Parts Catalog

## Controls Pedals



**PEDAL EXTENSION**



**182 SERIAL 18262466 THRU 18268175  
F182 SERIAL F1820001 THRU F18200169**

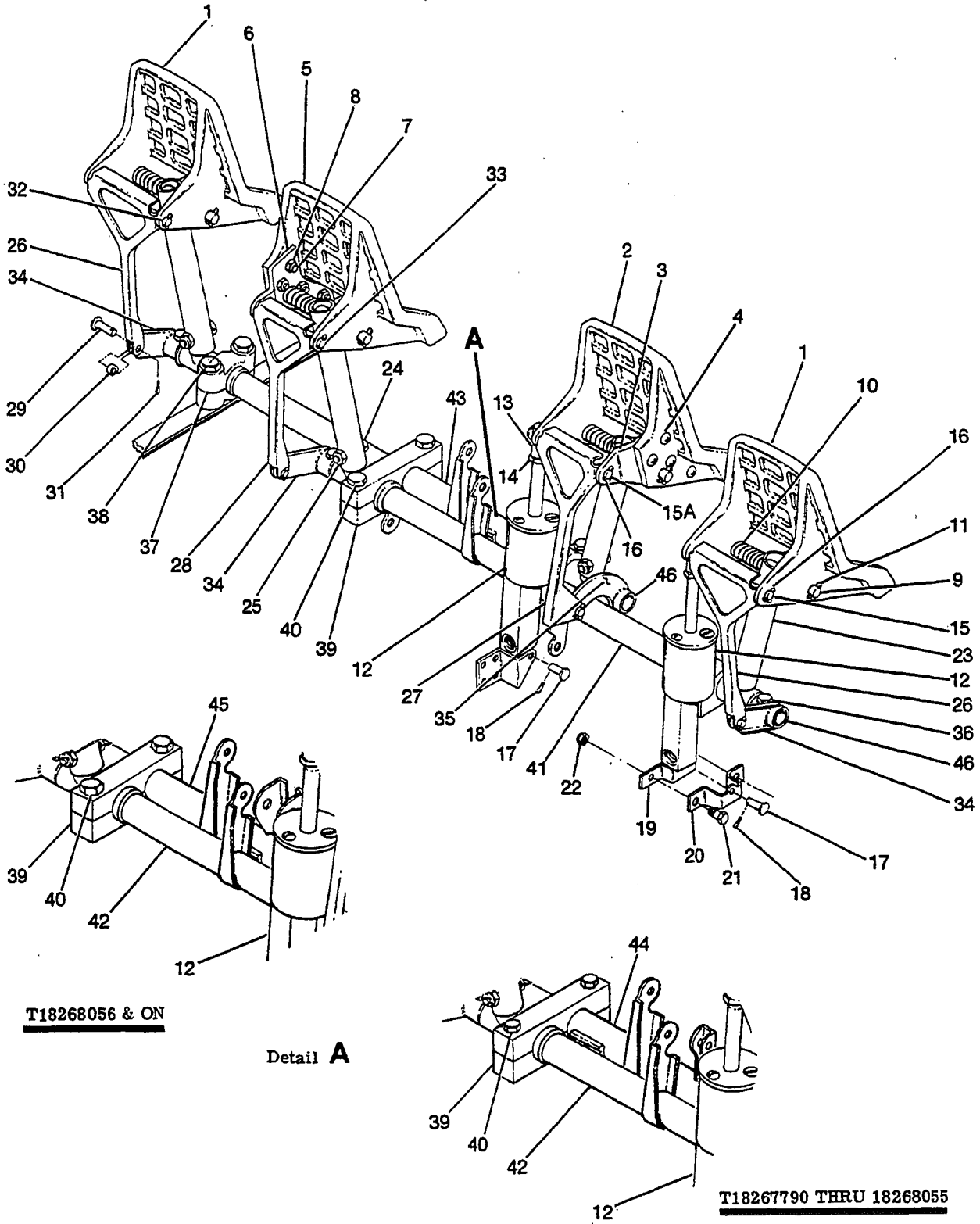
Figure 149. Brake & Rudder Pedals Installation

# 182 & T182 Parts Catalog

FIGURE AND INDEX NO.	PART NUMBER	DESCRIPTION							UNITS PER ASSY	USABLE ON CODE
		1	2	3	4	5	6	7		
149 -13	0411549	BRACKET-BRAKE CYLINDER INSIDE -----							1	
-14	0411550	BRACKET-BRAKE CYLINDER OUTSIDE -----							1	
		ATTACHING PARTS								
-15	AN3-4A	BOLT -----							2	
-16	MS21044N3	NUT -----							2	
		*-----								
-17	0713624-2	ANCHOR-BRAKE CYLINDER -----							1	
-18	0411307	ARM-RUDDER -----							4	
		ATTACHING PARTS								
-19	MS21044N3	NUT LH CONTROL PEDALS -----							1	
	MS20365-1032C	NUT RH CONTROL PEDALS -----							1	
-20	AN3-11A	BOLT -----							1	
		*-----								
-21	0411564	LINK DUAL CONTROLS -----							2	
-22	0713629-2	LINK-LH DUAL CONTROLS -----							1	
-23	0713629-1	LINK-RH DUAL CONTROLS -----							1	
		ATTACHING PARTS								
-24	MS20392-2C15	PIN-CLEVIS -----							1	
-25	MS24665-132	COTTER PIN -----							1	
-26	NAS43HT3-12	SPACER -----							1	
-27	0760669-3	PIN-CLEVIS -----							1	
	MS24665-132	COTTER PIN -----							1	
	S1438-2	WASHER -----							AR	
-28	0411778-4	SHAFT -----							1	
	MS24665-132	COTTER PIN -----							1	
	NAS42HT6-8	SPACER RH CONTROL ONLY -----							1	
	S1438-2	WASHER -----							AR	
		*-----								
-29	0411563	BELLCRANK ASSY DUAL CONTROLS -----							3	
-30	0411573-1	BELLCRANK ASSY DUAL CONTROLS WEU 2260122-1 -----							1	
	2260122-1	BELLCRANK ASSY DUAL CONTROLS -----							1	
	0411562	HUB SINGLE CONTROLS -----							4	
		ATTACHING PARTS								
-31	AN3-10A	BOLT -----							1	
	MS21044N3	NUT -----							1	
		*-----								
-32	S1674-1	BEARING HALF-OUTBD ORDER PAIR -----							4	
-33	S1675-1	BEARING HALF-INBD ORDER PAIR -----							4	
		ATTACHING PARTS								
-34	AN3-14A	BOLT -----							2	
	AN960-10	WASHER -----							2	
	MS21044N3	NUT OUTBD BEARINGS ONLY -----							2	
		*-----								
-35	0760604-1	BAR ASSY LH-RUDDER -----							1	
-36	0760604-2	BAR ASSY RH-RUDDER -----							1	
-37	0760605-1	TUBE-DUAL BRAKE TORQUE -----							2	
	S1003-43A	BEARING -----							4	
-38	0501020-1	PEDAL EXTENSION ASSY -----							2	
-39	0501020-3	CLIP-LOWER -----							1	
-40	0501020-4	CLIP-UPPER -----							1	
		ATTACHING PARTS								
-41	AN520-10R6	SCREW -----							2	
		*-----								
		A---182 SERIAL 18262466 THRU 18268175								
		F182 SERIAL F18200001 THRU F18200169								
		B---182 SERIAL 18266591 THRU 18268175								
		F182 SERIAL F18200095 THRU F18200169								

# 182 & T182 Parts Catalog

## Control Pedals (Cont)



**182 SERIAL 18268176 & ON**  
**T182 SERIAL 18267716 & ON**

Figure 149A. Brake & Rudder Pedal Installation

# 182 & T182 Parts Catalog

FIGURE AND INDEX NO.	PART NUMBER	DESCRIPTION	UNITS PER ASSY	USABLE ON CODE
149A-		BRAKE & RUDDER PEDALS INSTALLATION -----	NP	A
- 1	0413578-1	PEDAL-BRAKE & RUDDER -----	2	
- 2	0760035-1	PEDAL ASSY-BRAKE & RUDDER INBD LH -----	1	
- 3	0760036-1	ARM-RUDDER PEDAL -----	1	
		ATTACHING PARTS -----		
- 4	AN525-10R12	SCREW -----	4	
	MS21044N3	NUT -----	4	
		-----*		
- 5	0760035-2	PEDAL ASSY-BRAKE & RUDDER INBD RH -----	1	
- 6	0760036-2	ARM-RUDDER PEDAL -----	1	
		ATTACHING PARTS -----		
- 7	AN525-10R12	SCREW -----	4	
- 8	MS21044N3	NUT -----	4	
		-----*		
- 9	0567001	SHAFT -----	4	
-10	0760682-1	SPRING-ANTI RATTLE -----	4	
-11	MS24665-285	COTTER PIN -----	8	
-12	SEE FIG 150	CYLINDER ASSY-BRAKE -----	2	
		ATTACHING PARTS -----		
-13	0582001-1	CLEVIS -----	1	
-14	AN316-4R	NUT-JAM -----	1	
-15	0411778-5	SHAFT -----	1	
-15A	0760710-1	PIN -----	1	
	S1438-20	WASHER -----	AR	
-16	MS24665-132	COTTER PIN -----	1	
-17	MS20392-2C15	PIN-CLEVIS -----	1	
-18	MS24665-132	PIN-COTTER -----	1	
		-----*		
-19	0411549	BRACKET-BRAKE CYLINDER INSIDE -----	1	
-20	0411550	BRACKET-BRAKE CYLINDER OUTSIDE -----	1	
		ATTACHING PARTS -----		
-21	AN3-4A	BOLT -----	2	
-22	MS21044N3	NUT -----	2	
		-----*		
-23	0411307	ARM-RUDDER -----	4	
		ATTACHING PARTS -----		
-24	AN3-11A	BOLT -----	1	
-25	MS21044N3	NUT -----	1	
		-----*		
-26	0511336-1	LINK DUAL CONTROLS -----	2	
-27	0713629-4	LINK-INBD LH DUAL CONTROLS -----	1	
-28	0713629-3	LINK-INBD RH DUAL CONTROLS -----	1	
		ATTACHING PARTS -----		
-29	MS20392-2C15	PIN-CLEVIS -----	1	
-30	NAS43HT3-12	SPACER -----	1	
-31	MS24665-132	COTTER PIN -----	1	
-32	0411778-7	SHAFT -----	1	
	S1438-20	WASHER -----	AR	
	MS24665-132	COTTER PIN -----	1	
-33	0760710-2	CLEVIS PIN -----	1	
	NAS43HT4-12	SPACER -----	1	
	S1438-20	WASHER -----	AR	
		-----*		
-34	0411563	BELLCRANK ASSY DUAL CONTROL -----	3	
-35	2260122-1	BELLCRANK ASSY DUAL CONTROL -----	1	
	0411562	HUB USED WITH SINGLE CONTROLS -----	4	
	S1003-43A	BEARING USED WITH SINGLE CONTROLS -----	4	
		ATTACHING PARTS -----		
-36	AN3-10A	BOLT -----	1	
	MS21044N3	NUT -----	1	
		-----*		
-37	S1674-1	BEARING HALF-OUTBD ORDER IN PAIRS -----	4	
		ATTACHING PARTS -----		
-38	AN3-14A	BOLT -----	2	
	AN960-10	WASHER -----	2	
	MS21044N3	NUT -----	2	
		-----*		

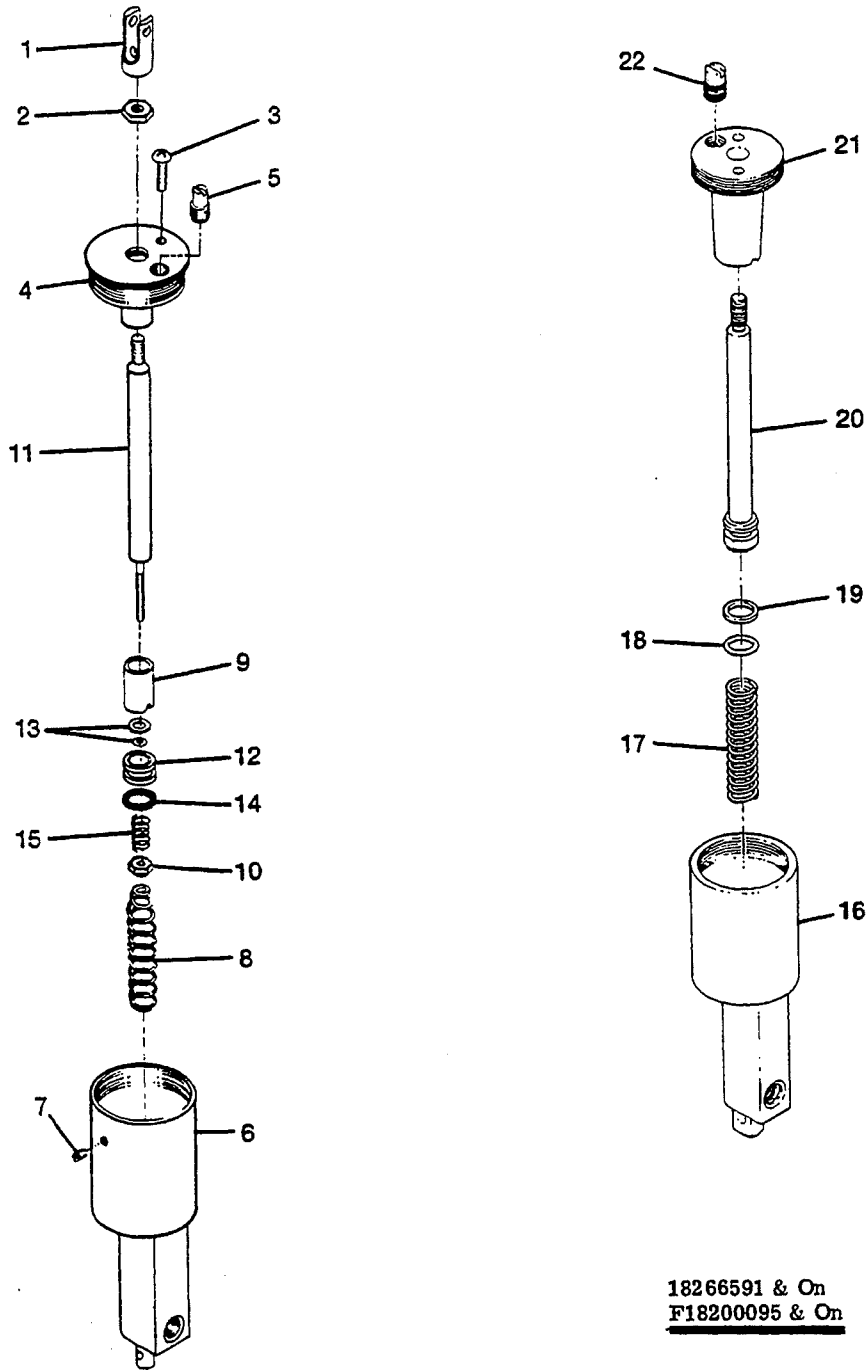
CONTINUED ON NEXT PAGE

# 182 & T182 Parts Catalog

FIGURE AND INDEX NO.	PART NUMBER	DESCRIPTION							UNITS PER ASSY	USABLE ON CODE
		1	2	3	4	5	6	7		
149A-39	2067011-1	BEARING HALF-INBD ORDER IN PAIRS -----							4	B C
-40	AN3-14A AN960-10	ATTACHING PARTS -----							2	
		BOLT -----							2	
		WASHER -----								
-41	0760604-1	BAR ASSY LH-RUDDER 182 -----							1	
-42	0760037-1	BAR ASSY LH-RUDDER T182 -----							1	
-43	0760604-2	BAR ASSY RH-RUDDER 182 -----							1	
-44	0760037-2	BAR ASSY RH-RUDDER T182 -----							1	
-45	0760037-4	BAR ASSY RH-RUDDER T182 -----							1	
-46	0760605-1	TUBE-TORQUE DUAL BRAKE -----							2	
		A---182 SERIAL 18268176 & ON T182 SERIAL 18267716 & ON B---T182 SERIAL 18267716 THRU 18268055 C---T182 SERIAL 18268056 & ON								

# 182 & T182 Parts Catalog

## Master Cylinder



18262466 Thru 18266590  
F18200001 Thru F18200094

18266591 & On  
F18200095 & On

**182 SERIAL 18262466 & ON**  
**F182 SERIAL F18200001 THRU F18200169**  
**T182 SERIAL 18267716 & ON**

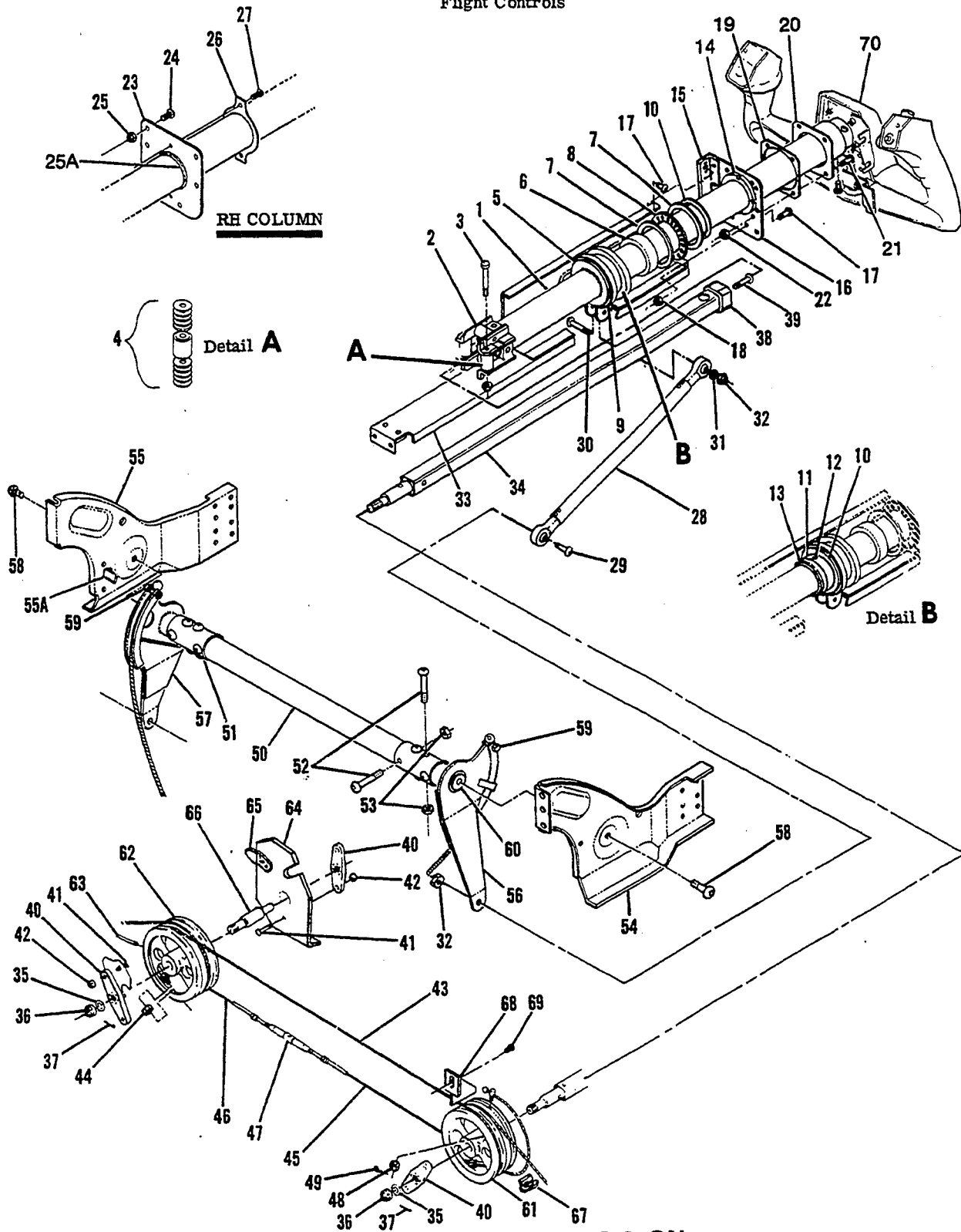
Figure 150. Master Brake cylinder Assembly

# 182 & T182 Parts Catalog

FIGURE AND INDEX NO.	PART NUMBER		DESCRIPTION							UNITS PER ASSY	USABLE ON CODE
			1	2	3	4	5	6	7		
150 -	0541138-22		MASTER BRAKE CYLINDER ASSEMBLY WEU 9882010-1 -----							2	A
- 1	0541140	**	CLEVIS-ROD END -----							1	
- 2	AN316-4R	**	NUT-CHECK -----							1	
- 3	AN515-10R8		SCREW-MACHINE -----							1	
- 4	0541151		COVER-MASTERCYLINDER -----							1	
- 5	0541139		PLUG-FILLER -----							1	
- 6	0541184-2		BODY-MASTER CYLINDER -----							1	
- 7	AN565D6H3		SCREW -----							1	
- 8	0541148		SPRING-PISTON RETURN -----							1	
- 9	0541149		SLEEVE-PISTON ROD -----							1	
- 10	0541138-5		PISTON ASSY-MASTER CYLINDER -----							1	
- 11	22FH632		NUT SPS -----							1	
- 12	0541144		ROD -----							1	
- 13	0541143		PISTON -----							1	
- 14	200AC-6		LOCK-O-SEAL WFRC -----							1	
- 15	AN6227B8		ORING -----							1	
	0541148-1		SPRING -----							1	
	9882010-1	*	MASTER BRAKE CYLINDER ASSEMBLY -----							2	B
	9882010-4	@	MASTER BRAKE CYLINDER ASSEMBLY -----							2	C
	055050-1DEV	@	MASTER BRAKE CYLINDER ASSEMBLY -----							2	C
- 16	9882011-1		CYLINDER-BRAKE -----							1	
- 17	9881600-3		SPRING LSC1 -----							1	
- 18	MS28775-110		O-RING -----							1	
- 19	S1628-110		RING-BACKUP -----							1	
- 20	9882012-1		PISTON -----							1	B
	9882012-5		PISTON -----							1	C
- 21	9882013-1		CAP -----							1	
- 22	0541139		PLUG -----							1	
	SEE FIG 149 &		CLEVIS BRAKE CYLINDER ATTACH -----							1	
<p>NOTE *WHEN INITIALLY ORDERING THIS PART FOR AIRCRAFT PRIOR TO SERIAL 18266591 ALSO ORDER PARTS MARKED **.</p> <p>NOTE @SOME AIRCRAFT MAY BE EQUIPPED WITH 055050-1DEV MASTER BRAKE CYLINDER IN LIEU OF 9882010-4. REFER TO FIGURE 148 FOR ELBOW, NUT &amp; PACKING USED WITH 055050-1DEV CYLINDER.</p> <p>A---182 SERIAL 18262466 THRU 18266590  F182 SERIAL F18200001 THRU F18200094  B---182 SERIAL 18266591 THRU 18267789  F182 SERIAL F18200095 THRU F18200169  C---182 SERIAL 18267790 &amp; ON  T182 SERIAL 18267716 &amp; ON</p>											

# 182 & T182 Parts Catalog

## Flight Controls



**182 SERIAL 18262466 & ON**  
**F182 SERIAL F18200001 THRU F18200169**  
**T182 SERIAL 18267716 & ON**

Figure 151. Control Column Installation



# 182 & T182 Parts Catalog

FIGURE AND INDEX NO.	PART NUMBER	DESCRIPTION							UNITS PER ASSY	USABLE ON CODE
		1	2	3	4	5	6	7		
151 -		CONTROL COLUMN INSTALLATION -----							NP	C
- 1	1260143-12	TUBE & BEARING ASSY-RH -----							1	A B
	1260140-9	TUBE & BEARING ASSY-LH WEU 1260140-17 -----							1	
	1260140-17	TUBE & BEARING ASSY-LH -----							1	
- 2	0760646-2	RETAINER ASSY -----							1	D E
- 3	0760644-1	MACHINE SCREW -----							4	
- 4	1260664-1	ROLLER KIT -----							4	
- 5	1560150-1	SLEEVE WELD ASSY -----							1	
- 6	S1997-2268	BEARING TOR -----							1	
- 7	S2014-7	RACE-BEARING -----							4	
- 8	S2013-7	BEARING TOR -----							2	
- 9	S1358-1	SPACER -----							AR	
-10	MS16624-1137	RING-RETAINING -----							2	
-11	1560312-1	COLLAR -----							1	
-12	1260148-1	STUD -----							2	
-13	1260665-1	CONNECTOR -----							1	
-14	S1080-4	GROMMET -----							1	
-15	0713262-2	ATTACH BRACKET ASSY-LH WEU 0713262-4 -----							1	
	0713262-4	ATTACH BRACKET ASSY-LH -----							1	
	NAS696A08	NUTPLATE -----							1	
	NAS697A08	NUTPLATE -----							2	
-16	0713960-1	ATTACH PLATE -----							1	
	0713960-2	ATTACH PLATE -----							1	
-17	NAS220-6	SCREW -----							10	
-18	MS21044N08	NUT -----							2	
-19	0760642-2	SPACER -----							1	
-20	1260668-3	COLLAR -----							1	
		ATTACHING PARTS -----								
-21	NAS514-632R10	SCREW -----							4	
-22	MS21042L6	NUT -----							4	
		*-----								
-23	1213147-1	COVER PLATE DUAL CONTROLS ONLY -----							1	
		ATTACHING PARTS -----								
-24	AN507-832R7	SCREW -----							4	
	AN507-832R6	SCREW -----							3	
-25	MS21044N08	NUT -----							4	
		*-----								
-25A	S1080-4	GROMMET DUAL CONTROLS -----							1	
-26	0760101-3	RETAINER DUAL CONTROLS ONLY -----							1	
		ATTACHING PARTS -----								
-27	S1021A8-6	SCREW -----							2	
		*-----								
-28	0760103-1	TUBE ASSY -----							1	
		ATTACHING PARTS -----								
-29	NAS222-16	SCREW -----							1	
-30	0760674-1	SCREW -----							1	
-31	AN960-416	WASHER -----							4	
-32	MS21042L4	NUT -----							2	
	AN960-416L	WASHER -----							1	
		*-----								
-33	0760691-1	SUPPORT ASSY-LH -----							1	
	0760695-1	RUB STRIP-CONTROL TUBE OUTBD -----							1	
	0760695-3	RUB STRIP-CONTROL TUBE INBD -----							1	
	0760691-2	SUPPORT ASSY-RH USED WITH DUAL CONTROLS ONLY -----							1	
	0760695-2	RUB STRIP-CONTROL TUBE OUTBD -----							1	
	0760695-3	RUB STRIP-CONTROL TUBE INBD -----							1	
	NAS684A08	NUTPLATE -----							2	
-34	1260141-6	TUBE ASSY-AILERON CONTROL-LH -----							1	
	1260141-15	TUBE ASSY-AILERON CONTROL-LH -----							1	
	1260141-10	TUBE ASSY-AILERON CONTROL-RH -----							1	
		ATTACHING PARTS -----								
-35	AN960-516L	WASHER -----							1	
-36	AN310-5	NUT -----							1	
-37	MS24665-134	COTTER PIN -----							1	
		*-----								
-38	0760121-1	GLIDE-LH TUBE ONLY -----							1	
	0760651-2	GLIDE-RH TUBE ONLY -----							1	
	0760651-2	GLIDE-RH & LH TUBE -----							1	
	0760104-2	PLUG-LH TUBE ONLY -----							1	
	0760681-1	PLUG-RH TUBE ONLY -----							1	
	0760681-1	PLUG-RH & LH TUBE -----							1	
		ATTACHING PARTS -----								
-39	NAS220-14	SCREW -----							1	
		*-----								

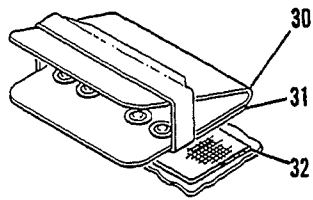
CONTINUED ON NEXT PAGE

# 182 & T182 Parts Catalog

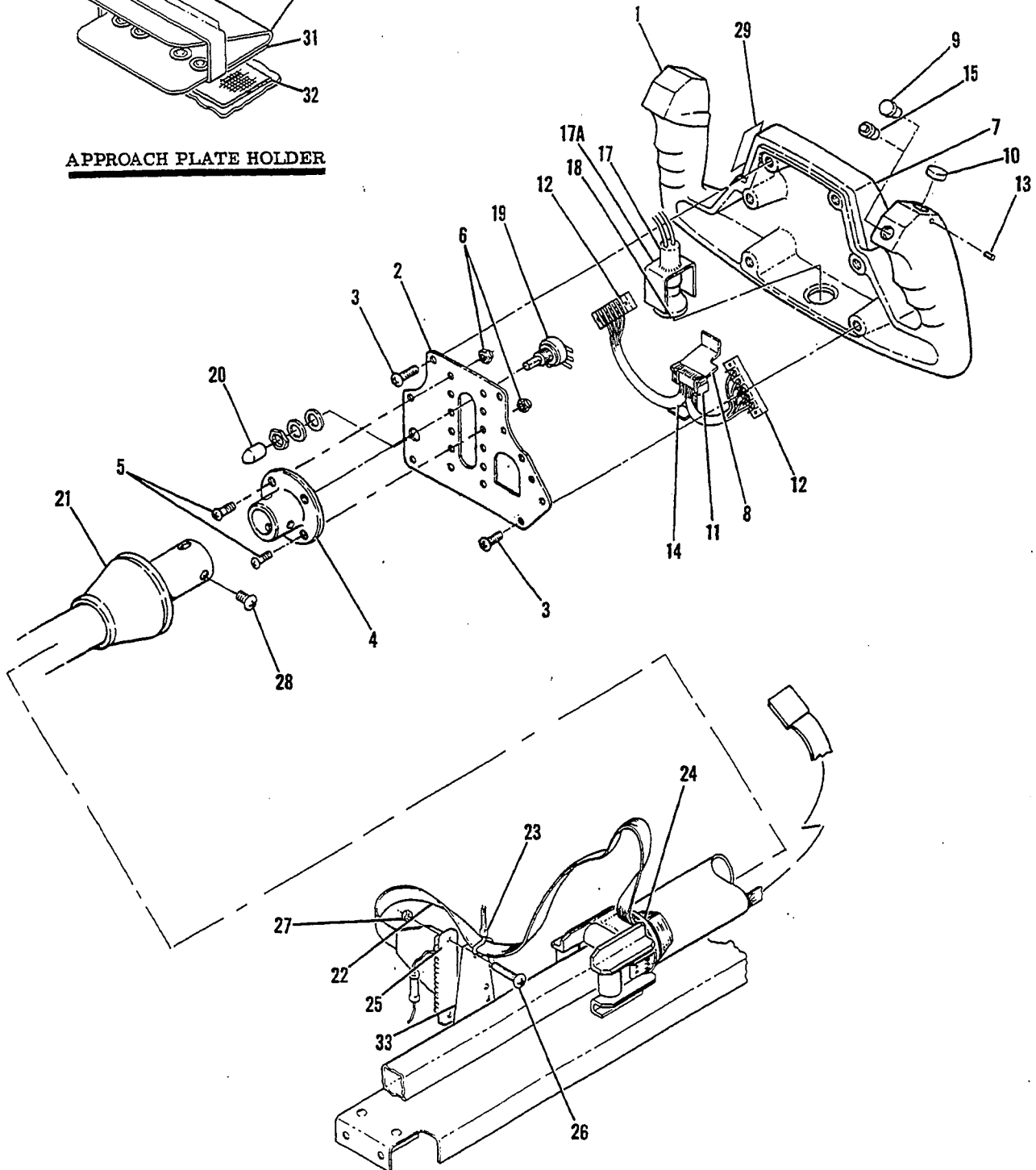
FIGURE AND INDEX NO.	PART NUMBER	DESCRIPTION	1 2 3 4 5 6 7							UNITS PER ASSY	USABLE ON CODE
			1	2	3	4	5	6	7		
151 -40	0760633-1	BEARING BLOCK ASSY ----- ATTACHING PARTS -----								2	
-41	NAS220-11	SCREW -----								2	
-42	MS21044N08	NUT ----- *-----								2	
-43	1260078-5	CABLE ASSY ----- ATTACHING PARTS -----								1	
-44	MS21044N3	NUT ----- *-----								2	
-45	1260078-2	CABLE ASSY-LH -----								1	
-46	1260078-3	CABLE ASSY-RH ----- ATTACHING PARTS -----								1	
-47	AN155B325	BARREL -----								1	
-48	AN310-3	NUT -----								2	
-49	MS24665-71	COTTER PIN ----- *-----								2	
-50	0760654-1	TUBE-CONTROL -----								1	
-51	0760655-1	SLEEVE-CONTROL ----- ATTACHING PARTS -----								2	
-52	NAS220-24	SCREW -----								4	
-53	MS21044N08	NUT ----- *-----								4	
-54	0760693-1	SUPPORT-BELLCRANK CONTROL TUBE LH -----								1	
-55	0760693-2	SUPPORT-BELLCRANK CONTROL TUBE RH -----								1	
-55A	0760111-1	GUARD-CABLE -----								1	
-56	0760686-1	ARM ASSY-LH -----								1	
-57	0760686-12	ARM ASSY-RH ----- ATTACHING PARTS -----								1	
-58	NAS222-14	SCREW -----								1	
	MS21042L4	NUT -----								1	
-59	AN21-10	BOLT -----								1	
	AN320-1	NUT -----								1	
	AN960D6	WASHER -----								AR	
	MS24665-24	PIN ----- *-----								1	
-60	MS24463-4	BEARING -----								1	
-61	1260112-1	QUADRANT-LH -----								1	
-62	1260112-2	QUADRANT-RH ----- ATTACHING PARTS -----								1	
-63	NAS561-6-32	PIN ----- *-----								1	
-64	0760700-1	SUPPORT-BEARING BLOCK SINGLE CONTROL ONLY ----- ATTACHING PARTS -----								1	
	AN515-8R8	SCREW -----								4	
	MS21044N08	NUT ----- *-----								4	
-65	0760106-1	GUARD -----								1	
-66	0760649-2	SHAFT SINGLE CONTROL ONLY -----								1	
-67	0760107-1	CABLE GUARD-LH -----								1	
	0760107-2	CABLE GUARD-RH ----- ATTACHING PARTS -----								1	
	S1021Z8-5	SCREW ----- *-----								2	
-68	0760701-1	CABLE GUARD ----- ATTACHING PARTS -----								1	
-69	AN515-6R6	SCREW ----- *-----								2	
-70	SEE FIG 152	CONTROL WHEEL & SWITCHES INSTALLATION -----								1	
		A---182 SERIAL 18262466 THRU 18266810 F182 SERIAL F18200001 THRU F18200129									
		B---182 SERIAL 18266811 & ON F182 SERIAL F18200130 THRU F18200169 T182 SERIAL 18267716 & ON									
		C---182 SERIAL 18262466 & ON F182 SERIAL F18200001 THRU F18200169 T182 SERIAL 18267716 & ON									
		D---182 SERIAL 18262466 THRU 18268055 F182 SERIAL F18200001 THRU F18200169 T182 SERIAL 18267716 THRU 18268055									
		E---182 & T182 SERIAL 18268056 & ON									

# 182 & T182 Parts Catalog

Controls (Cont)



**APPROACH PLATE HOLDER**



**182 SERIAL 18262466 THRU 18263014**

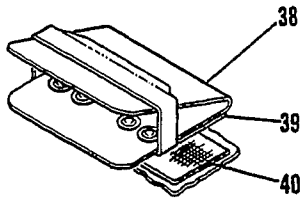
Figure 152. Control Wheel & Switches Installation

# 182 & T182 Parts Catalog

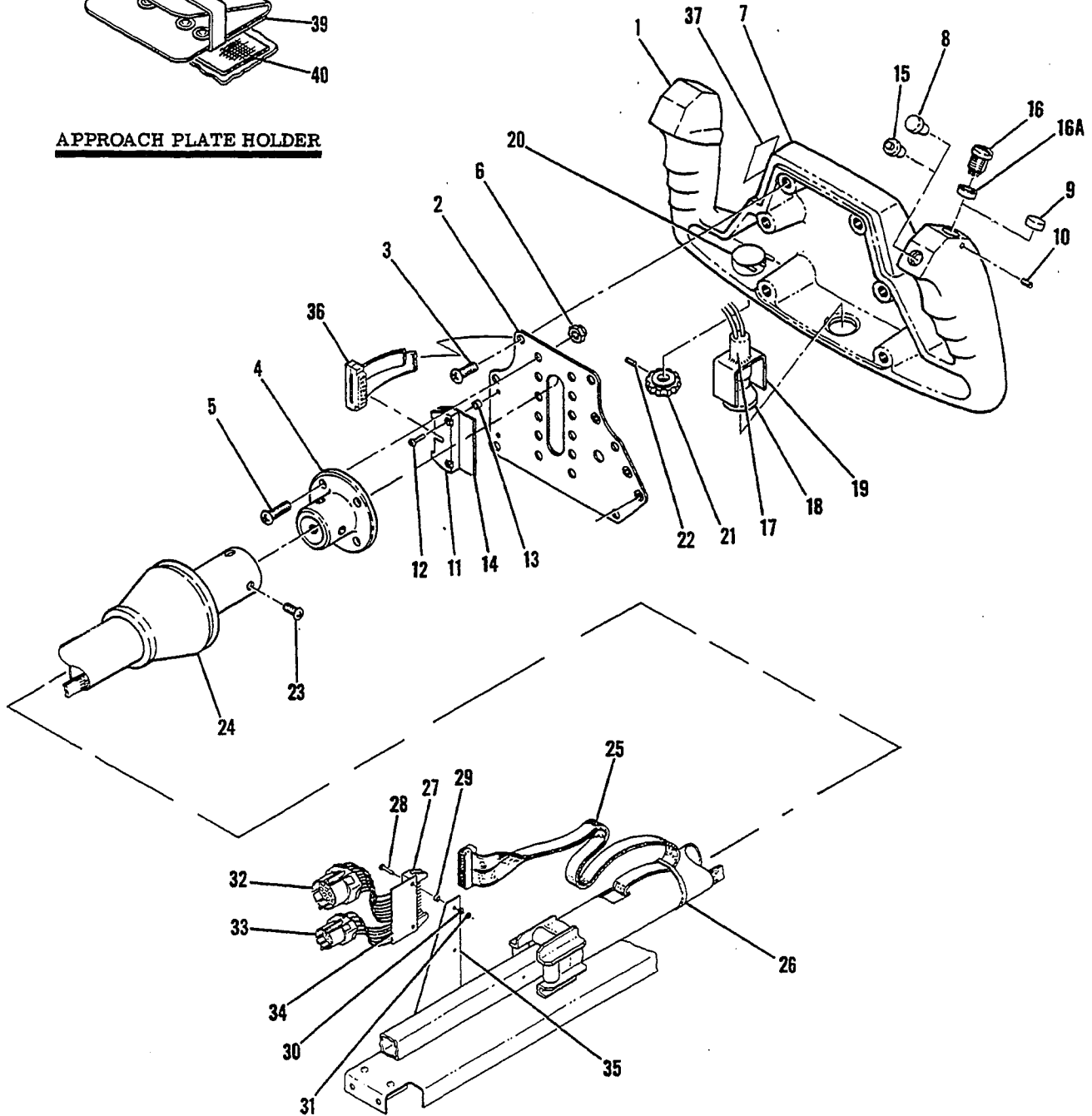
FIGURE AND INDEX NO.	PART NUMBER	DESCRIPTION	UNITS PER ASSY	USABLE ON CODE
			1 2 3 4 5 6 7	
152 -		CONTROL WHEEL & SWITCHES INSTALLATION -----	NP	A
- 1	0760019-3	CONTROL WHEEL ASSY-PADDED HAS MAPLIGHT & MIKE SWITCH PROVISIONS -----	1	
	0760019-1	CONTROL WHEEL ASSEMBLY-PADDED UNDRILLED -----	1	
- 2	0760016-1	PLATE -----	1	
		ATTACHING PARTS -----		
- 3	NAS221-9	SCREW -----	6	
		*-----		
	MS21209F1-20	INSERT -----	6	
- 4	0760017-2	ADAPTOR ASSEMBLY -----	1	
		ATTACHING PARTS -----		
- 5	NAS221-11	SCREW -----	4	
- 6	MS21044N3	NUT -----	4	
		*-----		
- 7	0760018-1	PAD-CONTROL WHEEL -----	1	
- 8	0760022-1	BRACKET -----	1	
- 9	1270682-1	PLUG-MIKE SWITCH HOLE -----	1	
-10	1560110-3	PLUG-SWITCH HOLE -----	1	
-11	255-10-30-190	CONNECTOR -----	1	
-12	351-11-05-001	TERMINAL BLOCK -----	2	
-13	AN565B4-2	SCREW LEFT HAND ONLY ATTACH PLUG -----	1	
-14	SF1030BX	CABLE -----	1	
-15	S1985-1	SWITCH-MIKE -----	1	
-16		DELETED NOT PROCURABLE -----		
-17	S2521-1	SOCKET-MAP LIGHT -----	1	
-17A	0760023-1	BRACKET -----	1	
-18	12RB	LAMP-MAP LIGHT -----	1	
-19	3859A-282-251A	RHEOSTAT-MAP LIGHT 250 OHM -----	1	
-20	S2093-1	COVER -----	1	
-21	0760021-1	COVER-CONTROL WHEEL ADAPTOR -----	1	
-22	1270060-1	CABLE -----	1	
-23	S1693-1	STA-STRAP -----	1	
-24	S1693-2	STA-STRAP -----	1	
-25	582384-9	SOCKET ARP -----	1	
		ATTACHING PARTS -----		
-26	AN515-6R8	SCREW -----	2	
-27	MS21044N06	NUT -----	2	
		*-----		
-28	AN3-3A	BOLT ATTACH CONTROL WHEEL ASSEMBLY -----	3	
	AN960-10L	WASHER -----	3	
-29	0705028-1	PLACARD-MAP LIGHT -----	1	
-30	1515152-1	APPROACH PLATE HOLDER ASSY -----	1	
-31	S2092-3	FABRIC FASTENER-HOOK -----	1	
-32	S2092-10	FABRIC FASTENER-PILE -----	2	
-33	1513145-1	SUPPORT BRACKET-TERMINAL STRIP -----	1	
	SEE FIG 3	PLACARD-CONTROL WHEEL -----	1	
A---182 SERIAL 18262466 THRU 18263014				

# 182 & T182 Parts Catalog

## Controls (Cont)



**APPROACH PLATE HOLDER**



182 SERIAL 18263015 THRU 18265965  
F182 SERIAL F18200001 THRU F18200064

Figure 153. Control Wheel & Switches Installation

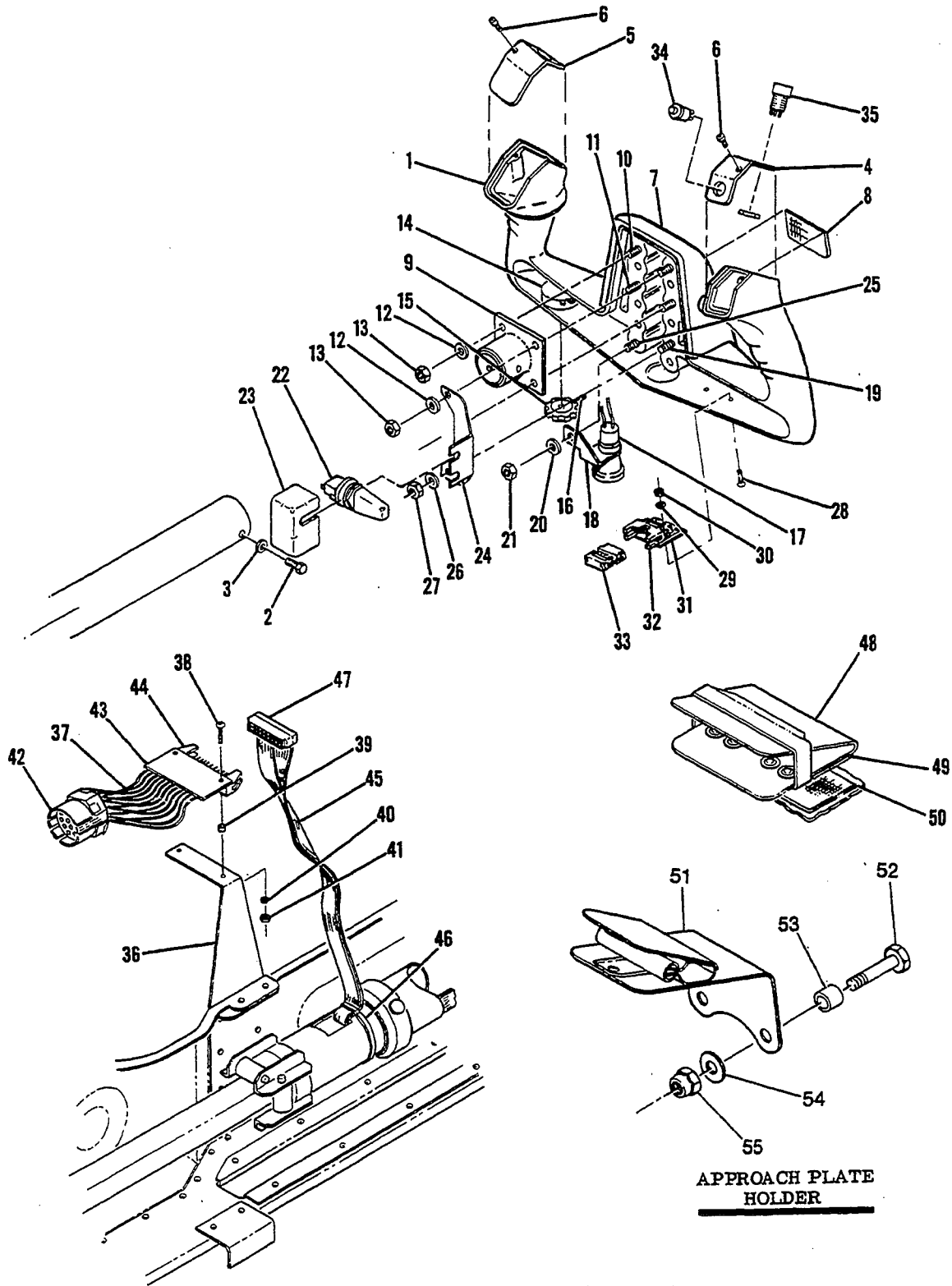
# 182 & T182 Parts Catalog

FIGURE AND INDEX NO.	PART NUMBER	DESCRIPTION	UNITS PER ASSY	USABLE ON CODE
153 -		CONTROL WHEEL & SWITCHES INSTALLATION -----	NP	A
- 1	0760019-10	CONTROL WHEEL ASSY-PADDED HAS MAPLIGHT & -----	1	B
	0760019-15	MIKE SWITCH PROVISIONS -----		
	0760019-1	CONTROL WHEEL ASSY-PADDED HAS MAPLIGHT & -----	1	C
	0760019-12	MIKE SWITCH PROVISIONS -----		
- 2	0760016-4	CONTROL WHEEL ASSY-PADDED UNDRILLED -----	1	B
		CONTROL WHEEL ASSY-PADDED UNDRILLED -----	1	C
- 3	NAS221-9	PLATE ASSY -----	1	
		ATTACHING PARTS -----		
- 4	MS21209F1-20	SCREW -----	6	
	0760017-2	INSERT -----	6	
- 5	NAS221-1	ADAPTOR ASSY -----	1	
- 6	MS21044N3	ATTACHING PARTS -----		
		SCREW -----	4	
		NUT -----	4	
- 7	0760018-1	PAD-CONTROL -----	1	B
	0760029-1	PAD-CONTROL -----	1	C
- 8	1270682-1	PLUG-MIKE SWITCH HOLE -----	1	
- 9	1560110-3	PLUG-SWITCH -----	1	
-10	AN565B4-2	SCREW LH ONLY ATTACH PLUG -----	1	
-11	1570307-1	CONNECTOR ASSY -----	1	
		ATTACHING PARTS -----		
-12	AN520-3R8	SCREW -----	2	
-13	NAS43DD0-8A	SPACER -----	2	
-14	1570306-1	CIRCUIT BOARD -----	1	
-15	S1985-1	SWITCH-MIKE -----	1	
-16	S2030-1	SWITCH-TRIM -----	1	D
-16A	1560110-1	ADAPTOR -----	1	D
-17	S2521-1	SOCKET-MAP LIGHT -----	1	
-18	12RB	LAMP-MAP LIGHT -----	1	
-19	0760023-1	MOUNTING BRACKET-MAP LIGHT SOCKET -----	1	
-20	3859A-161-152A	RHEOSTAT-MAP LIGHT -----	1	
-21	1270483-2	KNOB ASSY-RHEOSTAT -----	1	
		ATTACHING PARTS -----		
-22	AN565B2H3	SET SCREW -----	1	
-23	AN3-3A	BOLT ATTACH CONTROL WHEEL ASSY -----	3	
	AN960-10L	WASHER -----	3	
-24	0760021-1	COVER-CONTROL WHEEL ADAPTOR -----	1	
-25	1570308-1	CABLE ASSY -----	1	
-26	S2209-2	STA-STRAP -----	1	
-27	1570307-2	CABLE ASSY -----	1	
		ATTACHING PARTS -----		
-28	AN520-3R10	SCREW -----	2	
-29	NAS43DD0-8A	SPACER -----	2	
-30	AN936-A3	WASHER -----	2	
-31	AN340-3	NUT -----	2	
-32	S1962-1-0	HOUSING -----	1	
-33	S1960-1-0	HOUSING -----	1	
-34	1570306-1	CIRCUIT BOARD -----	1	
-35	1570354-1	SUPPORT-CABLE ASSY -----	1	
-36	3421-0000	CONNECTOR-SOCKET -----	1	
-37	0705028-1	PLACARD-MAP LIGHT -----	1	
-38	0715046-4	APPROACH PLATE HOLDER ASSY -----	1	
-39	S2092-3	FABRIC FASTENER-HOOK BKI -----	1	
-40	S2092-10	FABRIC FASTENER-PILE BKI -----	1	

A---182 SERIAL 18263015 THRU 18265965  
       F182 SERIAL F18200001 THRU F18200064  
 B---182 SERIAL 18263015 THRU 18263475  
 C---182 SERIAL 18263476 THRU 18265965  
       F182 SERIAL F18200001 THRU F18200064  
 D---182 SERIAL 18264296 THRU 18265965  
       F182 SERIAL F18200001 THRU F18200064

# 182 & T182 Parts Catalog

Controls (Cont)



**APPROACH PLATE  
HOLDER**

**182 SERIAL 18265966 THRU 18268055  
T182 SERIAL 18267716 THRU 18268055  
F182 SERIAL F1820065 THRU F18200169**

Figure 154. Control Wheel & Switches Installation

# 182 & T182 Parts Catalog

FIGURE AND INDEX NO.	PART NUMBER		DESCRIPTION							UNITS PER ASSY	USABLE ON CODE
			1	2	3	4	5	6	7		
154 -			CONTROL WHEEL & SWITCHES INSTALLATION -----							NP	A
- 1	1260243-2	*	WHEEL ASSY-CONTROL -----							1	
			ATTACHING PARTS -----								
- 2	AN3-3A		BOLT -----							3	
- 3	AN960-10L		WASHER -----							3	
			-----*								
- 4	1560024-1	%	ESCUTCHEON-LH -----							1	
- 5	1560024-2	%	ESCUTCHEON-RH -----							1	
			ATTACHING PARTS -----								
- 6	NAS1352-02-8		SCREW -----							1	
			-----*								
- 7	1560025-2		PAD-CONTROL WHEEL -----							1	
- 8	1560028-1		FASTENER-MIKE -----							1	
- 9	0760017-4		ADAPTER-CONTROL WHEEL -----							1	
			ATTACHING PARTS -----								
-10	AN3-12A		BOLT UPR -----							2	
-11	AN3-14A		BOLT LWR -----							2	
-12	AN960D10L		WASHER -----							4	
-13	MS21042L3		NUT -----							4	
			-----*								
-14	3859A161-152A		RHEOSTAT-MAP LIGHT BITD -----							1	
-15	1270483-2		KNOB-RHEOSTAT -----							1	
			ATTACHING PARTS -----								
-16	AN565B2H3		SCREW -----							1	
			-----*								
-17	S2521-1		SOCKET-MAP LIGHT DMC -----							1	
	24RB		BULB-MAP LIGHT SEPI 24 VOLT -----							1	
-18	1270843-2		BRACKET-MAP LIGHT -----							1	
			ATTACHING PARTS -----								
-19	AN3-15A		BOLT -----							1	
-20	AN960D10L		WASHER -----							1	
-21	MS21042L3		NUT -----							1	
			-----*								
-22	1270840-1		SWITCH-ELECTRIC TRIM DISENGAGE -----							1	
	1560026-5		SWITCH COVER-ELECTRIC TRIM DISENGAGE -----							1	
-23	1215169-2		COVER-TRIM SWITCH -----							1	
-24	1270858-1		BRACKET-MOUNTING -----							1	
			ATTACHING PARTS -----								
-25	AN3-16A		BOLT -----							1	
-26	AN960D10L		WASHER -----							1	
	NAS43DD3-16		SPACER -----							1	
-27	MS21042L3		NUT -----							1	
			-----*								
	1270845-1		CONNECTOR ASSY -----							1	
			ATTACHING PARTS -----								
-28	AN515-2R12		SCREW -----							2	
-29	AN936A2		WASHER -----							2	
-30	AN340-2		NUT -----							2	
			-----*								
-31	1270842-1		CIRCUIT BOARD -----							1	
-32	3491-1002		HEADER MMEP -----							1	
-33	3473-3000		SOCKET-CONNECTOR MMEP -----							1	
-34	S1985-1		SWITCH-MIKE -----							1	
-35	S2030-1		SWITCH-ELECTRIC TRIM -----							1	
-36	1570354-1		SUPPORT-CABLE -----							1	
-37	1570307-3		CABLE ASSY -----							1	
			ATTACHING PARTS -----								
-38	AN520-3R10		SCREW -----							2	
-39	NAS43DD0-8A		SPACER -----							2	
-40	AN936A3		WASHER -----							2	
-41	AN340-3		NUT -----							2	
			-----*								
-42	S1961-1-0		HOUSING -----							1	
-43	1570306-1		CIRCUIT BOARD -----							1	
-44	3428-1002		HEADER MMEP -----							1	
-45	1270844-1		CABLE ASSY -----							1	
			ATTACHING PARTS -----								
-46	S2209-2		STA-STRAP -----							1	
			-----*								
-47	3421-0000		SOCKET-CONNECTOR MMEP -----							1	

CONTINUED ON NEXT PAGE

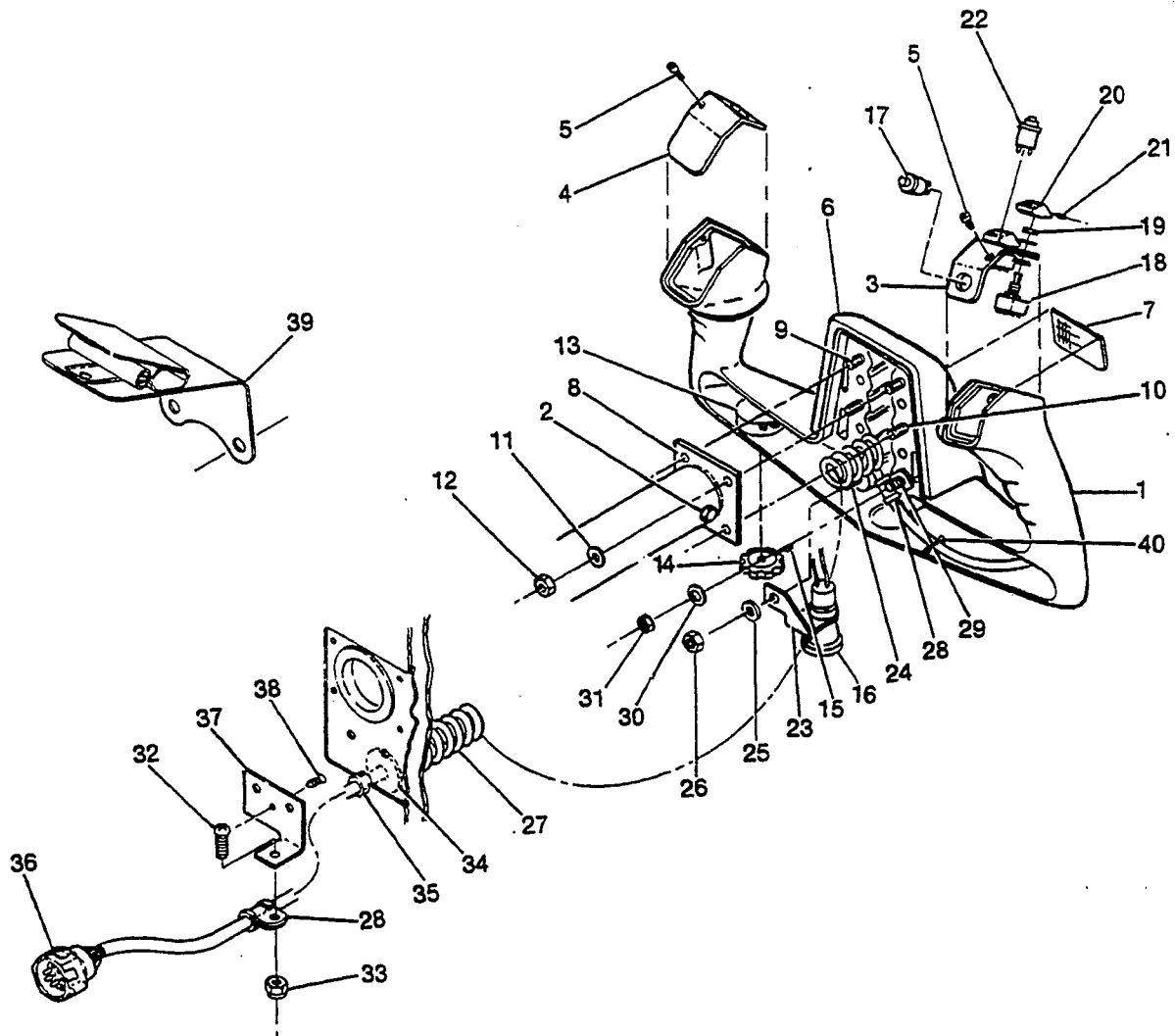


# 182 & T182 Parts Catalog

FIGURE AND INDEX NO.	PART NUMBER	DESCRIPTION							UNITS PER ASSY	USABLE ON CODE	
		1	2	3	4	5	6	7			
154	-48	1515152-1	HOLDER-APPROACH PLATE -----							1	B
	-49	S2092-3	FABRIC FASTENER-HOOK BKI -----							1	B
	-50	S2092-10	FABRIC FASTENER-PILE BKI -----							1	B
	-51	0715083-1	HOLDER ASSY-APPROACH PLATE -----							1	C
			ATTACHING PARTS								
	-52	NAS464P3-13	BOLT -----							1	C
	-53	NAS43DD3-14	SPACER -----							1	C
	-54	AN960D10L	WASHER -----							1	C
	-55	MS21044N3	NUT -----							1	C
			-----*								
<p>NOTE. *FOR INTERGRATED FLIGHT CONTROL SYSTEM, CONTROL WHEEL &amp; COMPONENTS SEE AVIONICS SERVICE/PARTS MANUAL.</p> <p>NOTE. %FOR ESCUTCHEONS WITH EMBOSSED LETTERING ORDER 1560024-3 LH OR 1560024-4 RH.</p> <p>A---182 SERIAL 18265966 THRU 18268055  F182 SERIAL F18200065 THRU F18200169  T182 SERIAL 18267716 THRU 18268055</p> <p>B---182 SERIAL 18265966 THRU 18267715  F182 SERIAL F18200065 THRU F18200169</p> <p>C---182 &amp; T182 SERIAL 18267716 THRU 18268055</p>											

# 182 & T182 Parts Catalog

Controls (Cont)



**182 & T182 SERIAL 18268056 & ON**

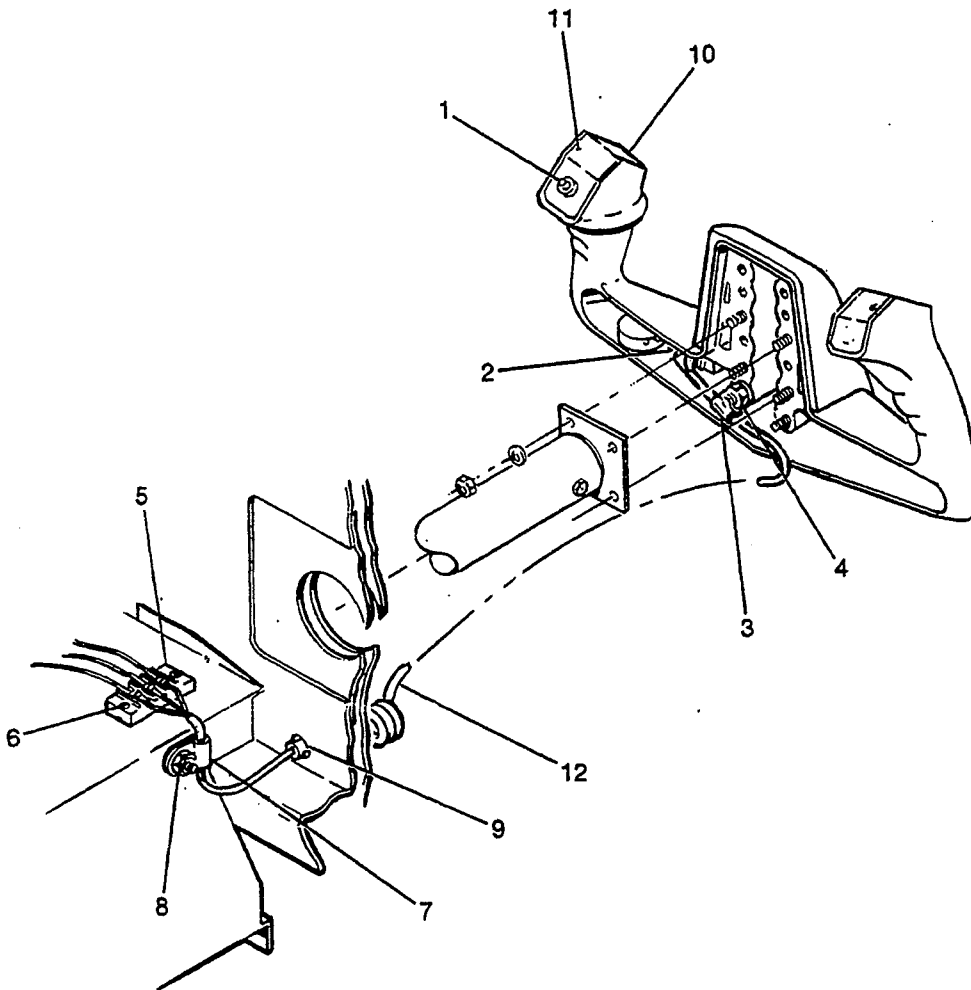
Figure 154A. Control Wheel & Switches Installation

# 182 & T182 Parts Catalog

FIGURE AND INDEX NO.	PART NUMBER	DESCRIPTION							UNITS PER ASSY	USABLE ON CODE
		1	2	3	4	5	6	7		
154A-		CONTROL WHEEL & SWITCHES INSTALLATION -----							NP	A
- 1	1560027-2	CONTROL WHEEL ASSY -----							1	
		ATTACHING PARTS -----								
- 2	AN3-3A	BOLT -----							3	
	AN960-10L	WASHER -----							3	
		-----*								
- 3	1560024-1	ESCUTCHEON-LH	STANDARD					1		
	1560024-5	ESCUTCHEON-LH	WITH MIC SWITCH					1		
	1560024-13	ESCUTCHEON-LH	WITH MIC & ELECTRIC TRIM SWITCH					1		
- 4	1560024-2	ESCUTCHEON-RH	STANDARD					1		
		ATTACHING PARTS -----								
- 5	NAS1352-02-08	SCREW -----							1	
		-----*								
	1560025-2	PAD ASSY -----							1	
- 6	1560025-1	PAD-CONTROL WHEEL -----							1	
- 7	2201136-1	FASTENER-FABRIC HOOK	BKI	REF S2092-2				AR		
- 8	0760017-4	ADAPTOR-CONTROL WHEEL -----							1	
		ATTACHING PARTS -----								
- 9	AN3-11A	BOLT -----							2	
-10	AN3-13A	BOLT -----							2	
-11	AN960XC10L	WASHER -----							4	
-12	MS21042L3	NUT -----							4	
		-----*								
-13	3859A161-152A	RHEOSTAT-MAP LIGHT	BITD	FSO S2619-1				1	B	
	S2619-1	POTENTIOMETER -----							1	C
		ATTACHING PARTS -----								
	AN936A616	WASHER -----							1	C
	MS25082-20	NUT -----							1	C
		-----*								
-14	1270483-2	KNOB-MAP LIGHT RHEOSTAT -----							1	
		ATTACHING PARTS -----								
-15	AN565B2H3	SCREW -----							1	
		-----*								
-16	S2521-1	SOCKET-MAP LIGHT -----							1	
	24RB	BULB-MAP LIGHT	SEPI	24V				1		
-17	S1985-1	SWITCH-MIKE -----							1	
-18	7205P4	SWITCH-ELECTRIC TRIM CANK -----							2	
-19	7537	LOCKING RING CANK -----							2	
-20	S2515-1	KNOB -----							2	
		ATTACHING PARTS -----								
-21	AN565D2H3	SET SCREW -----							1	
		-----*								
-22	S1985-3	SWITCH-AP TRIM DISCONNECT -----							1	
-23	1270843-2	BRACKET-MAP LIGHT -----							1	
		ATTACHING PARTS -----								
-24	AN3-14A	BOLT -----							1	
-25	AN960XC10L	WASHER -----							1	
-26	MS21042L3	NUT -----							1	
		-----*								
-27	2270030-5	CORD ASSY-COIL -----							1	
		ATTACHING PARTS -----								
-28	MS21919DG4	CLAMP -----							2	
-29	AN3-13A	BOLT -----							1	
-30	AN960XC10L	WASHER -----							1	
-31	MS21044N3	NUT -----							1	
-32	AN520-10R10	SCREW -----							1	
-33	MS21045L3	NUT -----							1	
		-----*								
-34	MS35489-35S	GROMMET -----							1	
-35	S1291-4	GROMMET -----							1	
-36	S1962-1-0	HOUSING -----							1	
	S1963-1	PIN -----							15	
-37	2270036-1	BRACKET -----							1	
		ATTACHING PARTS -----								
-38	S1022A4-6	SCREW -----							2	
		-----*								
-39	0715083-1	HOLDER ASSY-APPROACH PLATE -----							1	
-40	S2606-2	MOUNT -----							1	
	S2209-1	TIE -----							1	
A---182 & T182 SERIAL 18268056 & ON B---182 & T182 SERIAL 18268056 THRU 18268394 C---182 & T182 SERIAL 18268395 & ON										

# 182 & T182 Parts Catalog

## Flight Controls (Cont)



**182 & T182 SERIAL 18267716 & ON**

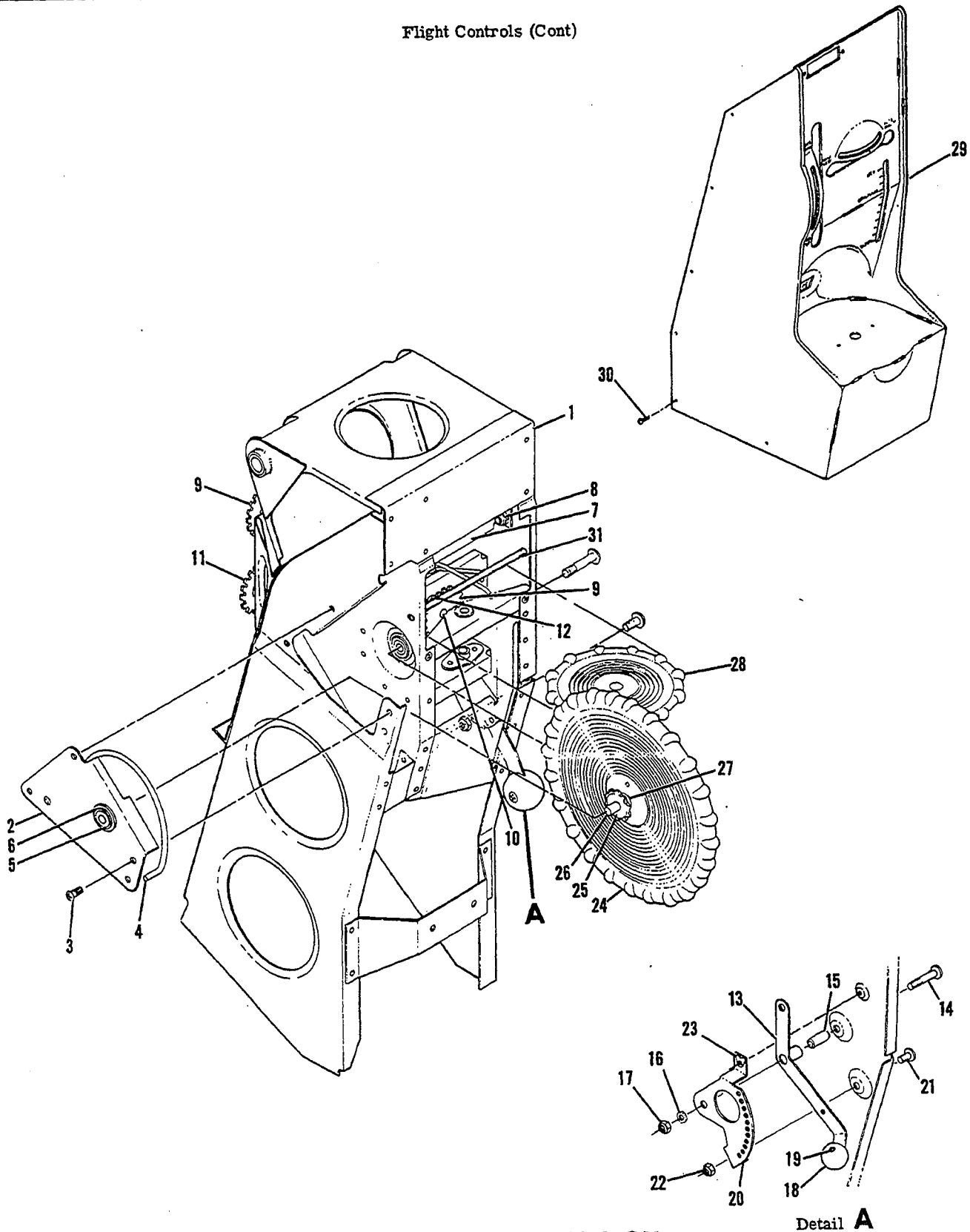
Figure 154E. Co-Pilots Intercom Mike Switch Installation

# 182 & T182 Parts Catalog

FIGURE AND INDEX NO.	PART NUMBER	DESCRIPTION							UNITS PER ASSY	USABLE ON CODE
		1	2	3	4	5	6	7		
154B-		CO-PILOTS INTERCOM MIKE SWITCH INSTALLATION -----							NP	A
- 1	S1985-1	SWITCH-MIKE -----							1	
- 2	351-11-03-001	TERMINAL BLOCK CIN -----							1	
- 3	S1155-3	CLAMP -----							1	
		ATTACHING PARTS -----								
- 4	AN3-15A	BOLT -----							1	
	AN960-10L	WASHER -----							1	
	MS21044N3	NUT -----							1	
		*-----								
- 5	351-11-03-001	TERMINAL BLOCK CIN -----							1	
		ATTACHING PARTS -----								
- 6	AN515-4R10	SCREW -----							2	
	NAS43DD0-6	SPACER -----							2	
	AN340-4	NUT -----							2	
		*-----								
- 7	S1155-3	CLAMP -----							1	
		ATTACHING PARTS -----								
- 8	AN515-8R10	SCREW -----							1	
	AN936A8	WASHER -----							1	
	NAS43DD3-16	SPACER -----							1	
	AN340-8	NUT -----							1	
		*-----								
- 9	K375-125	SNUB BUSHING HEMA -----							1	
-10	1560024-9	ESCUTCHEON-MIC RH -----							1	
		ATTACHING PARTS -----								
-11	NAS1352-02-8	SCREW -----							1	
		*-----								
-12	8409	CABLE-RETRACTILE BDN -----							1	
A---182 & T182 SERIAL 18267716 & ON										

# 182 & T182 Parts Catalog

Flight Controls (Cont)



**182 SERIAL 18265966 & ON**  
**F182 SERIAL F18200001 THRU F18200169**

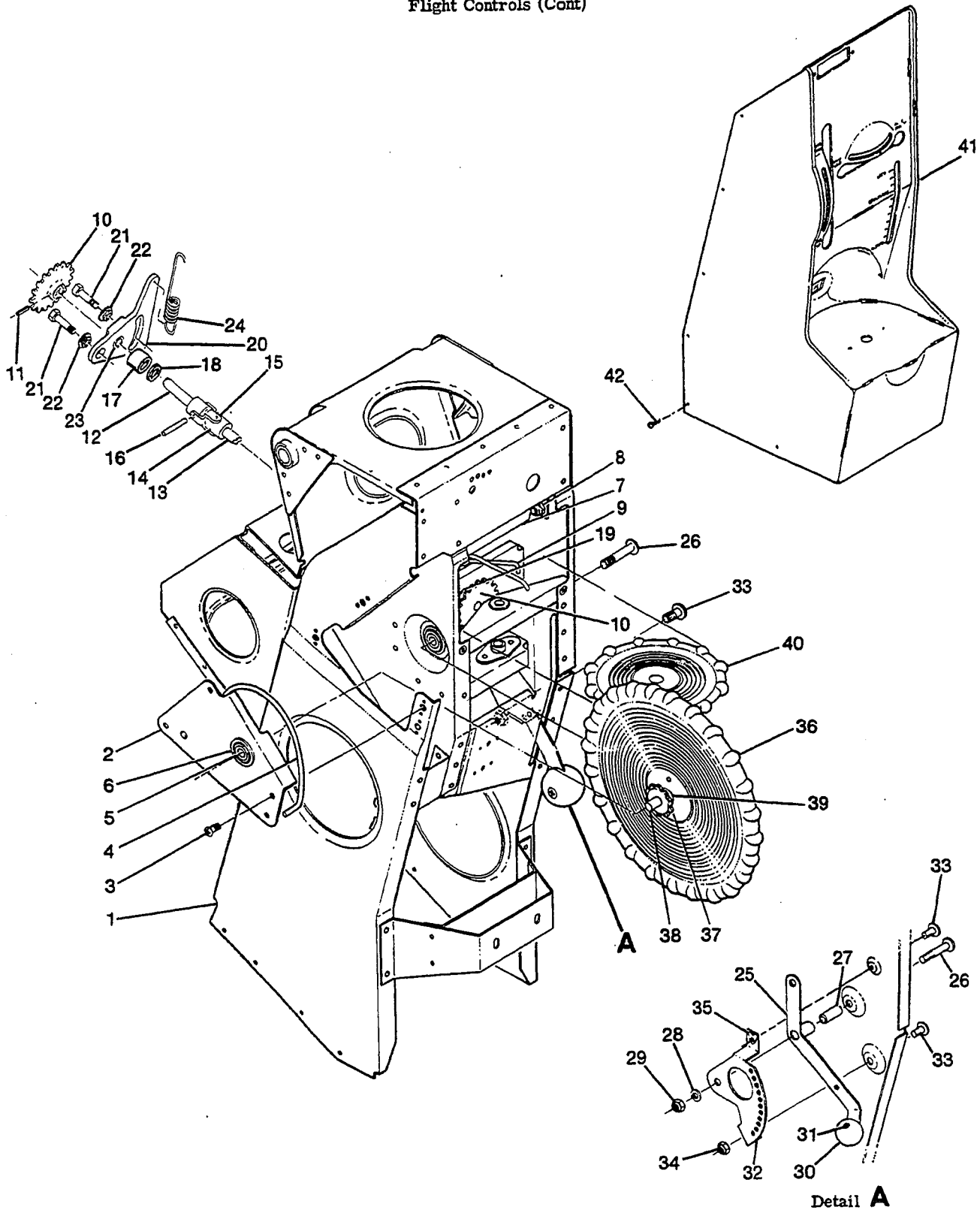
Figure 155. Console & Controls Installation

# 182 & T182 Parts Catalog

FIGURE AND INDEX NO.	PART NUMBER	DESCRIPTION	UNITS PER ASSY	USABLE ON CODE
155 -		CONSOLE & CONTROLS INSTALLATION -----	NP	A
- 1	SEE FIG 33	STRUCTURE ASSY-CONSOLE -----	1	
- 2	0713642-1	RETAINER ASSY-ELEVATOR TRIM -----	1	
		ATTACHING PARTS		
- 3	NAS220-5	SCREW -----	4	
		-----*		
- 4	0713642-3	INDICATOR-ELEVATOR TRIM -----	1	
		ATTACHING PARTS		
	0713032-1	BUSHING -----	1	
	S1450-24A7-040	COLLAR -----	1	
		-----*		
- 5	S1997C4-5	BEARING TOR -----	1	
- 6	0411420	HOUSING -----	1	
- 7	0713643-1	SUPPORT ASSY-RUDDER TRIM INDICATOR -----	1	
		ATTACHING PARTS		
	AN515-8R6	SCREW -----	4	
- 8	MS21044N8	NUT -----	4	
		-----*		
	0713643-3	INDICATOR-RUDDER TRIM -----	1	
	0713653-1	SPROCKET ASSY-RUDDER TRIM -----	1	
- 9	0761210-1	SPROCKET -----	2	
		ATTACHING PARTS		
	NAS561-3-8	PIN -----	1	
		-----*		
-10	0713653-2	SHAFT -----	1	
-11	0761210-5	SPROCKET-IDLER -----	1	
		ATTACHING PARTS		
	AN3-6A	BOLT -----	1	
	0713640-12	SPACER -----	1	
	AN960-10L	WASHER -----	3	
	MS21044N3	NUT -----	1	
		-----*		
-12	NAS43DD4-18	SPACER -----	1	
	AN960-416L	WASHER -----	AR	
-13	0713315-6	LEVER ASSY-COWL FLAP -----	1	
		ATTACHING PARTS		
-14	AN525-10R22	SCREW -----	1	
-15	NAS76A3-028	BUSHING -----	1	
-16	AN960PD10	WASHER -----	1	
-17	MS21044N3	NUT -----	1	
		-----*		
-18	S1249-2	KNOB -----	1	
		ATTACHING PARTS		
-19	AN507-1032R8	SCREW -----	1	
	S1196-1	WASHER -----	1	
		-----*		
-20	0713314-1	POSITION BRACKET-COWL FLAP CONTROL -----	1	
		ATTACHING PARTS		
-21	AN525-10R6	SCREW -----	2	
-22	MS21044N3	NUT -----	1	
		-----*		
-23	NAS698A3	NUTPLATE -----	1	
-24	0713656-1	WHEEL ASSY-ELEVATOR TRIM -----	1	
-25	0432134-1	SPROCKET -----	1	
-26	0713656-3	SHAFT -----	1	
-27	NAS561-3-8	PIN -----	1	
-28	1713269-1	WHEEL ASSY-RUDDER TRIM -----	1	
		ATTACHING PARTS		
	MS24665-132	COTTER PIN -----	1	
		-----*		
-29	SEE FIG 195	CONSOLE COVER & LIGHTING INSTALLATION -----	1	
		ATTACHING PARTS		
-30	S1021-8-6	SCREW -----	11	
		-----*		
-31	0713735-1	ROD-RUDDER TRIM STOP -----	1	B
	MS24665-132	PIN-COTTER -----	1	B
		A---182 SERIAL 18262466 & ON F182 SERIAL F18200001 THRU F18200169		
		B---182 SERIAL 18265966 & ON F182 SERIAL F18200065 THRU F18200169		

# 182 & T182 Parts Catalog

## Flight Controls (Cont)



**T182 SERIAL 18267716 THRU 18268055**

Figure 156. Console & Controls Installation



# 182 & T182 Parts Catalog

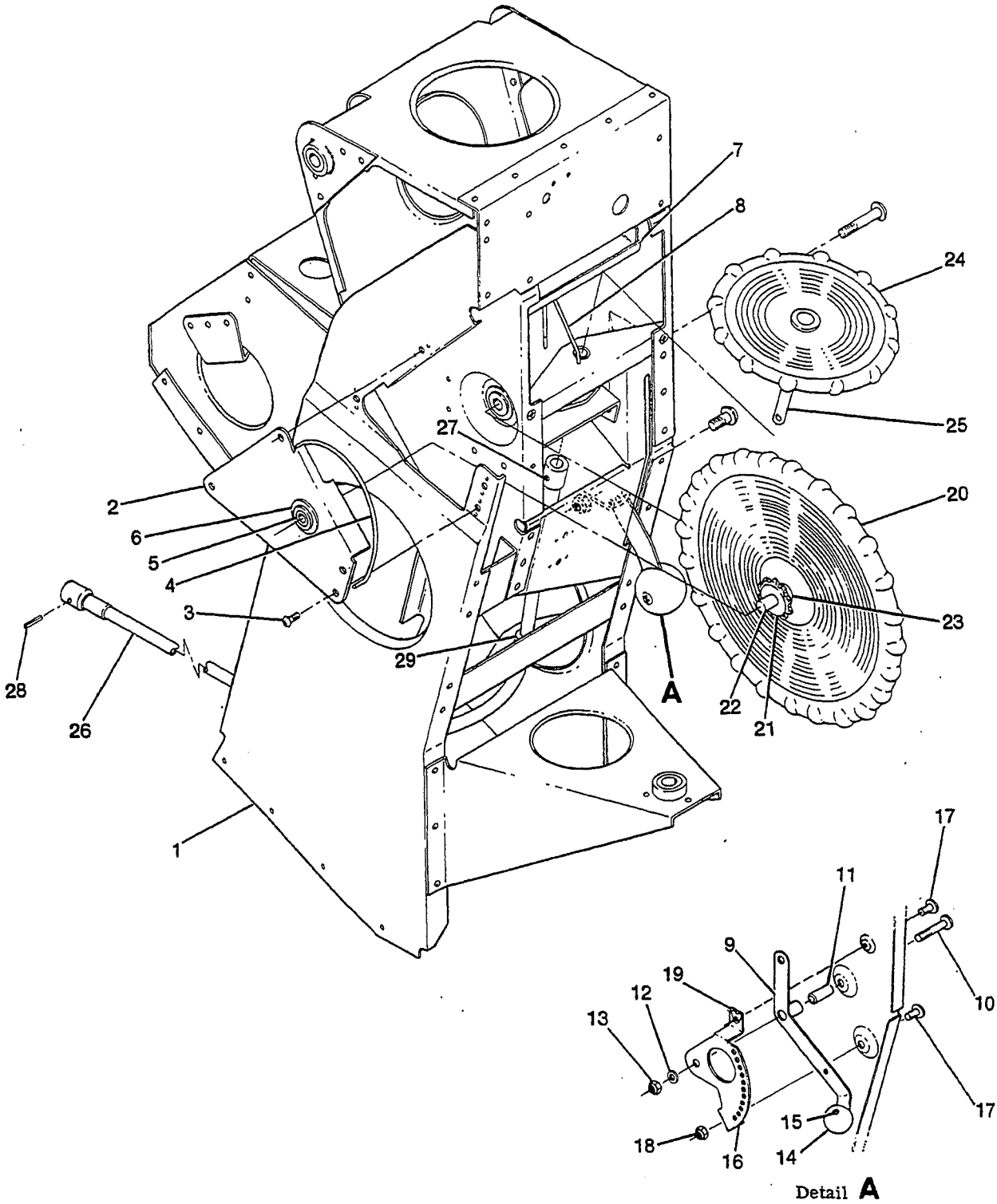
FIGURE AND INDEX NO.	PART NUMBER	DESCRIPTION	UNITS PER ASSY	USABLE ON CODE
156 -		CONSOLE & CONTROLS INSTALLATION -----	NP	A
- 1	SEE FIG 34	STRUCTURE ASSY-CONSOLE -----	1	
- 2	0713642-1	RETAINER ASSY-ELEVATOR TRIM -----	1	
		ATTACHING PARTS		
- 3	NAS220-5	SCREW -----	4	
		-----*		
- 4	0713642-3	INDICATOR-ELEVATOR TRIM -----	1	
		ATTACHING PARTS		
	0713032-1	BUSHING -----	1	
	S1450-24A7-040	WASHER -----	1	
		-----*		
- 5	S1997C4-5	BEARING -----	1	
- 6	0411420	HOUSING -----	1	
- 7	0713643-1	SUPPORT ASSY-RUDDER TRIM INDICATOR -----	1	
		ATTACHING PARTS		
	AN515-8R6	SCREW -----	4	
- 8	MS21044N08	NUT -----	4	
		-----*		
- 9	0713643-3	INDICATOR-RUDDER TRIM -----	1	
		ATTACHING PARTS		
	0713032-1	BUSHING -----	1	
	S1450-24A7-040	WASHER -----	1	
		-----*		
-10	2213021-1	SPROCKET SHAFT ASSY-RUDDER TRIM -----	1	
	0761210-1	SPROCKET -----	2	
		ATTACHING PARTS		
-11	NAS561-3-8	PIN -----	1	
		-----*		
-12	2213021-2	SHAFT -----	2	
-13	2213021-3	SHAFT-CENTER -----	1	
-14	0511194-4	PIVOT -----	2	
-15	0511127-0	SPACER-UNIVERSAL JOINT -----	2	
		ATTACHING PARTS		
-16	MS20435-M4-12	RIVET -----	1	
		-----*		
-17	NAS43DD4-16	SPACER -----	1	
-18	AN960-416L	WASHER -----	AR	
-19	NAS43DD4-18	SPACER -----	1	
	AN960-416L	WASHER -----	AR	
-20	2213023-1	BEARING MOUNT -----	1	
		ATTACHING PARTS		
-21	AN3-5A	BOLT -----	2	
-22	NAS77A3-15	BUSHING -----	2	
		-----*		
-23	S1004-1A	BEARING -----	1	
-24	2260118-1	SPRING -----	1	
-25	0713315-6	LEVER ASSY-COWL FLAP -----	1	
		ATTACHING PARTS		
-26	AN525-10R22	SCREW -----	1	
-27	NAS76A3-028	BUSHING -----	1	
-28	AN960PD10	WASHER -----	1	
-29	MS21044N3	NUT -----	1	
		-----*		
-30	S1249-2	KNOB -----	1	
		ATTACHING PARTS		
-31	AN507-1032R8	SCREW -----	1	
	S1196-1	WASHER -----	1	
		-----*		
-32	0713314-1	POSITION BRACKET-COWL FLAP CONTROL -----	1	
		ATTACHING PARTS		
-33	AN525-10R6	SCREW -----	2	
-34	MS21044N3	NUT -----	1	
		-----*		
-35	NAS698A3	NUTPLATE -----	1	
		CONTINUED ON NEXT PAGE		

# 182 & T182 Parts Catalog

FIGURE AND INDEX NO.	PART NUMBER	DESCRIPTION							UNITS PER ASSY	USABLE ON CODE	
		1	2	3	4	5	6	7			
156	-36	0713656-1	WHEEL ASSY-ELEVATOR TRIM -----							1	
	-37	0432134-1	SPROCKET -----							1	
	-38	0713656-3	SHAFT -----							1	
	-39	NAS561-3-8	PIN -----							1	
	-40	1713269-1	WHEEL ASSY-RUDDER TRIM -----							1	
			ATTACHING PARTS								
		MS24665-132	COTTER PIN -----							1	
			*-----								
	-41	SEE FIG 195	CONSOLE COVER & LIGHTING INSTALLATION -----							1	
			ATTACHING PARTS								
-42	S1021-8-6	SCREW -----							11		
		*-----									
		A---T182 SERIAL 18267716 THRU 18268055									

# 182 & T182 Parts Catalog

## Flight Controls (Cont)



**T182 SERIAL 18268056 & ON**

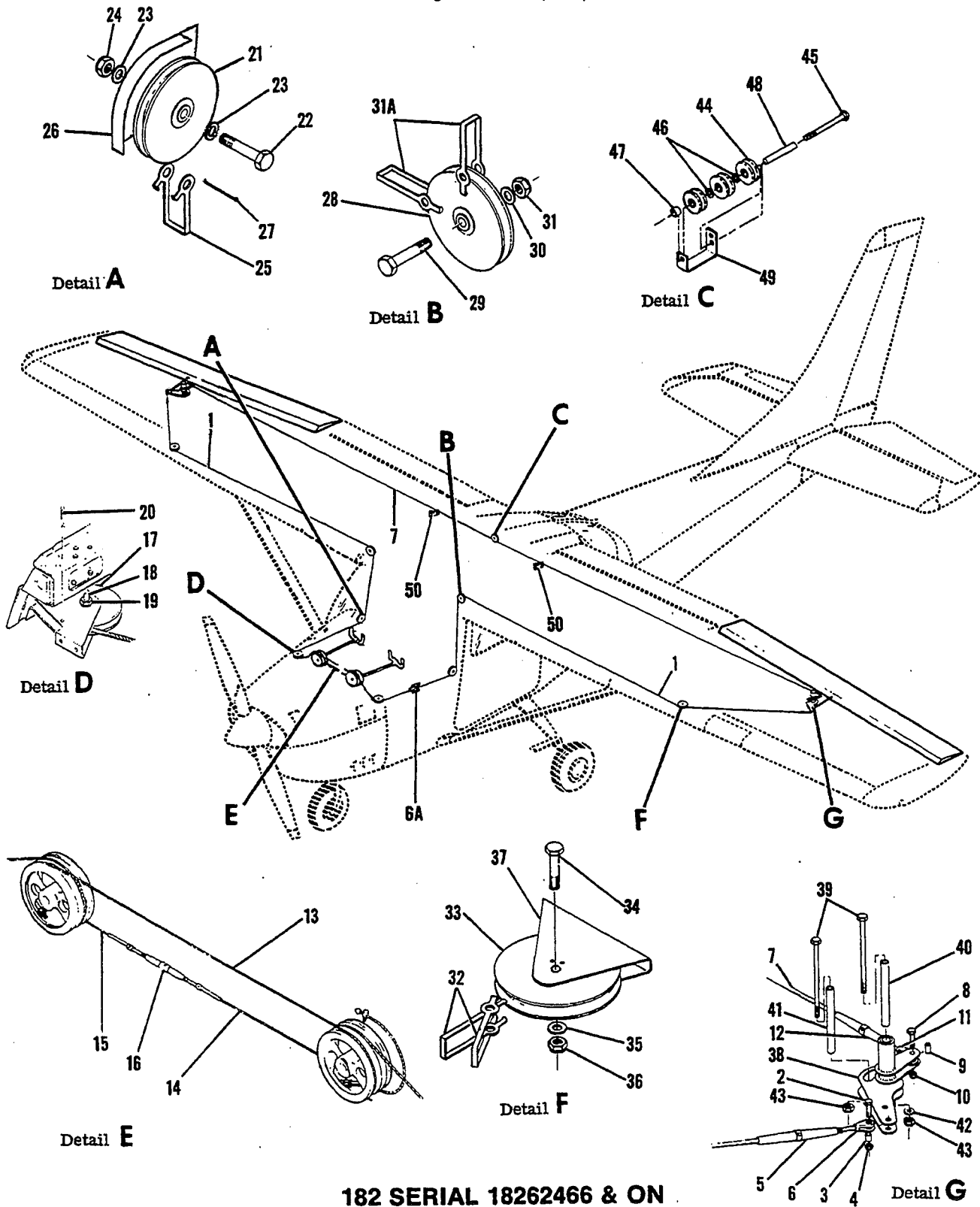
Figure 156A. Console & Controls Installation

# 182 & T182 Parts Catalog

FIGURE AND INDEX NO.	PART NUMBER	DESCRIPTION							UNITS PER ASSY	USABLE ON CODE
		1	2	3	4	5	6	7		
156A-		CONSOLE & CONTROLS INSTALLATION -----							NP	A
- 1	SEE FIG 34A	STRUCTURE ASSY-CONSOLE -----							1	
- 2	0713642-1	RETAINER ASSY-ELEVATOR TRIM -----							1	
		ATTACHING PARTS								
- 3	NAS220-5	SCREW -----							4	
		*-----								
- 4	0713642-3	INDICATOR-ELEVATOR TRIM -----							1	
		ATTACHING PARTS								
	0713032-1	BUSHING -----							1	
	S1450-24A7-040	WASHER -----							1	
		*-----								
- 5	C1997C4-5	BEARING -----							1	
- 6	0411420	HOUSING -----							1	
- 7	2213110-1	SUPPORT ASSY-RUDDER TRIM INDICATOR -----							1	
- 8	0713643-3	INDICATOR-RUDDER TRIM -----							1	
		ATTACHING PARTS								
	0713032-1	BUSHING -----							1	
	S1450-24A7-040	WASHER -----							1	
		*-----								
- 9	0713315-6	LEVER ASSY-COWL FLAP -----							1	
		ATTACHING PARTS								
-10	AN525-10R22	SCREW -----							1	
-11	NAS76A3-02B	BUSHING -----							1	
-12	AN960PD10	WASHER -----							1	
-13	MS21044N3	NUT -----							1	
		*-----								
-14	S1249-2	KNOB -----							1	
		ATTACHING PARTS								
-15	AN507-1032R8	SCREW -----							1	
	S1196-1	WASHER -----							1	
		*-----								
-16	0713314-1	POSITION BRACKET-COWL FLAP CONTROL -----							1	
		ATTACHING PARTS								
-17	AN525-10R6	SCREW -----							2	
-18	MS21044N3	NUT -----							1	
		*-----								
-19	NAS698A3	NUTPLATE -----							1	
-20	0713656-1	WHEEL ASSY-ELEVATOR TRIM -----							1	
-21	0432134-1	SPROCKET -----							1	
-22	0713656-3	SHAFT -----							1	
-23	NAS561-3-8	PIN -----							1	
-24	1713269-8	WHEEL ASSY-RUDDER TRIM -----							1	
-25	1713269-9	SHAFT-RUDDER TRIM -----							1	
-26	S2561-1	SHAFT-FLEX RUDDER TRIM -----							1	
		ATTACHING PARTS								
-27	AN565E8H2	SET SCREW -----							1	
-28	NAS561-3-8	ROLL PIN -----							1	
		*-----								
-29	S338-6	FAIRLEAD -----							2	
	S339-2	CLIP -----							1	
		A---T182 SERIAL 18268056 & ON								

# 182 & T182 Parts Catalog

## Flight Controls (Cont)



**182 SERIAL 18262466 & ON**  
**F182 SERIAL F18200001 THRU F18200169**  
**T182 SERIAL 18267716 & ON**

Figure 157. Aileron Controls Installation

# 182 & T182 Parts Catalog

FIGURE AND INDEX NO.	PART NUMBER	DESCRIPTION	UNITS PER ASSY	USABLE ON CODE		
			1 2 3 4 5 6 7			
157 -		AILERON CONTROL SYSTEM INSTALLATION -----	NP	A		
- 1	0510105-228	CABLE ASSEMBLY-AILERON DIRECT -----	1			
	0510105-328	CABLE ASSEMBLY-AILERON DIRECT STAINLESS STEEL -----	1			
		ATTACHING PARTS -----				
- 2	AN3-7A	BOLT -----	1			
- 3	0422280	BUSHING -----	1			
- 4	MS21044N3	NUT -----	1			
- 5	AN155B32L	BARREL -----	1			
- 6	AN161-32LL	FORK -----	1			
		*-----				
- 6A	0713944-1	GUARD-CABLE -----	2			
- 7	0510105-13	CABLE ASSEMBLY-AILERON CARRY THRU -----	1			
	0510105-113	CABLE ASSEMBLY-AILERON CARRY THRU STAINLESS STEEL -----	1			
		ATTACHING PARTS -----				
- 8	AN3-7A	BOLT -----	2			
- 9	0422280	BUSHING -----	2			
-10	MS21042L3	NUT -----	2			
-11	AN161-32LL	FORK LH ONLY -----	1			
-12	AN155B32L	BARREL LH ONLY -----	1			
		*-----				
-13	1260078-5	CABLE ASSEMBLY -----	1			
-14	1260078-2	CABLE ASSEMBLY LH -----	1			
	1260078-102	CABLE ASSEMBLY-LH STAINLESS STEEL -----	1			
-15	1260078-3	CABLE ASSEMBLY RH -----	1			
	1260078-103	CABLE ASSEMBLY-RH STAINLESS STEEL -----	1			
-16	AN155-32S	BARREL -----	1			
-17	MS20220-2	PULLEY -----	1			
		ATTACHING PARTS -----				
-18	AN5-11A	BOLT -----	1			
	AN960-516	WASHER -----	2			
-19	MS21042L5	NUT -----	1			
-20	MS24665-136	PIN-COTTER -----	1			
		*-----				
-21	MS20220-2	PULLEY -----	2			
		ATTACHING PARTS -----				
-22	AN5-13A	BOLT -----	1			
-23	AN960-516L	WASHER -----	2			
-24	MS21042L5	NUT -----	1			
		*-----				
-25	0760610-3	GUARD -----	2			
-26	0760680-2	GUARD-PULLEY RH -----	1			
	0760680-1	GUARD-PULLEY LH -----	1			
-27	MS24665-285	PIN-COTTER -----	2			
-28	MS20220-2	PULLEY -----	2			
		ATTACHING PARTS -----				
-29	AN5-11A	BOLT -----	1			
-30	AN960-516	WASHER -----	2			
-31	MS21042L5	NUT -----	1			
		*-----				
-31A	0760610-1	GUARD -----	4			
-32	0760610-2	GUARD -----	4			
-33	S378-4	PULLEY -----	2			
		ATTACHING PARTS -----				
-34	AN4-11A	BOLT -----	1			
-35	AN960-416	WASHER -----	6			
-36	MS21042L4	NUT -----	1			
		*-----				
-37	0760609-1	BRACKET-AILERON PULLEY -----	1			
-38	0760703-5	BELLCRANK ASSEMBLY-LH -----	1			
	0760703-6	BELLCRANK ASSEMBLY-RH -----	1			
		ATTACHING PARTS -----				
-39	AN4-42A	BOLT -----	2			
-40	0523321	BUSHING -----	1			
-41	0523222	BUSHING -----	1			
-42	S1450-20B12-032	WASHER -----	1			
-43	MS21042L4	NUT -----	2			
		*-----				

CONTINUED ON NEXT PAGE

# 182 & T182 Parts Catalog

FIGURE AND INDEX NO.	PART NUMBER	DESCRIPTION	UNITS PER ASSY	USABLE ON CODE
		1 2 3 4 5 6 7		
157 -44	S394	PULLEY ----- ATTACHING PARTS -----	1	
-45	AN3-21A	BOLT -----	1	
-46	AN960-416	WASHER -----	2	
-47	NAS43HT4-16	SPACER -----	1	
-48	0512138	BUSHING -----	1	
-49	0512136	GUARD ----- -----*	1	
-50	0760615-1 0760616-1	GUARD ----- RUB-STRIP ----- ATTACHING PARTS -----	2 2	
	AN515-8R12 MS21042L08	SCREW ----- NUT ----- -----*	2 2	
-51	1262005-1 MS21919D66	BRACKET ----- CLAMP ----- ATTACHING PARTS -----	1 1	
	S1021710-6 NAS446-1-3	SCREW ----- NUT ----- -----*	1 1	
		A---182 SERIAL 18262466 & ON F182 SERIAL F18200001 THRU F18200169 T182 SERIAL 18267716 & ON		

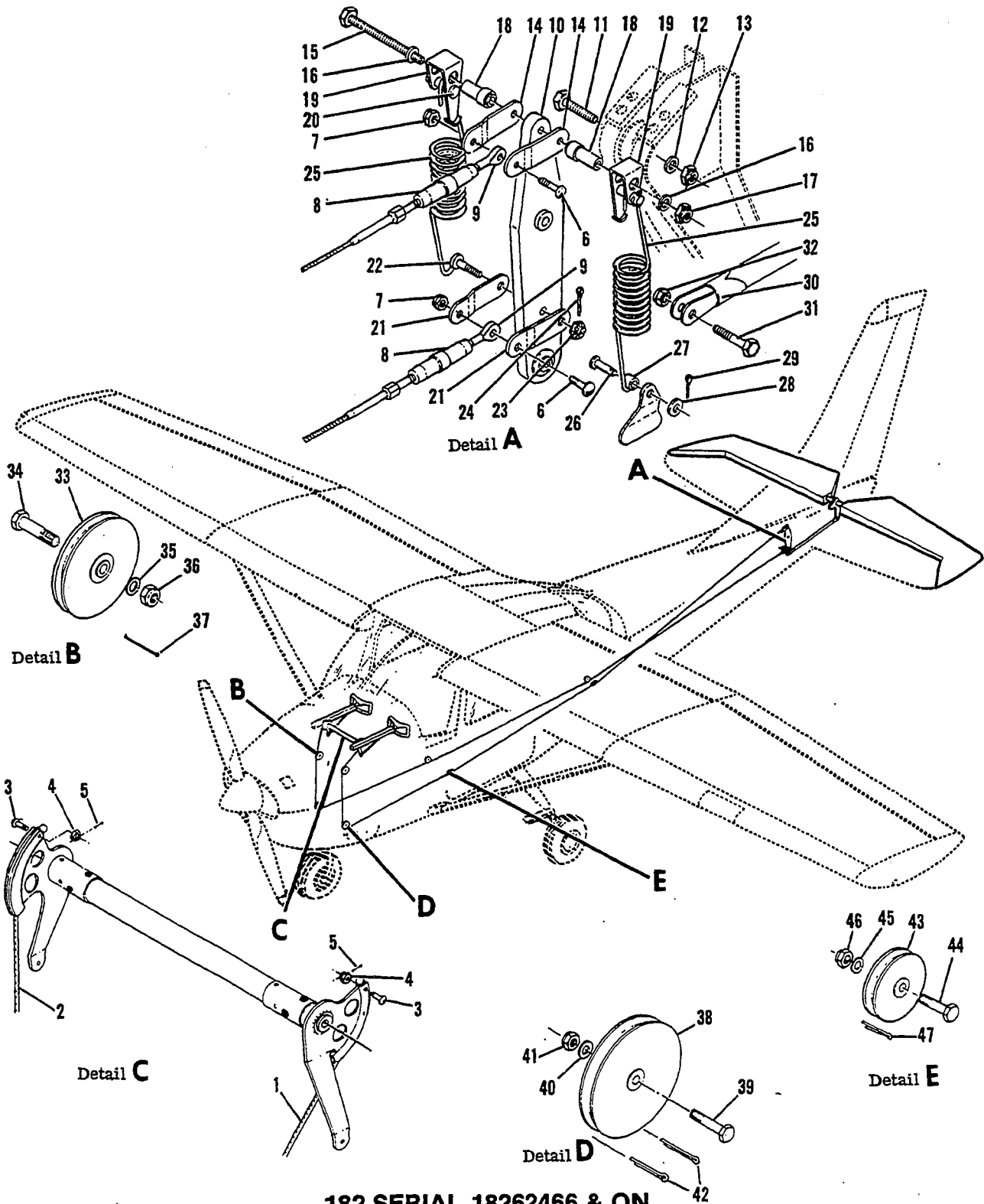
# 182 & T182 Parts Catalog

FIGURE AND INDEX NO.	PART NUMBER	DESCRIPTION							UNITS PER ASSY	USABLE ON CODE
		1	2	3	4	5	6	7		
158 -		ELEVATOR CONTROL SYSTEM -----							NP	A
- 1	0510105-90	CABLE ASSY-LH -----							1	
	0510105-190	CABLE ASSY-LH STAINLESS STEEL -----							1	
- 2	0510105-89	CABLE ASSY-RH -----							1	
	0510105-189	CABLE ASSY-RH STAINLESS STEEL -----							1	
		ATTACHING PARTS								
- 3	AN21-10	BOLT -----							1	
- 4	AN320-1	NUT -----							1	
	AN960D6	WASHER -----							1	
- 5	MS24665-24	COTTER PIN -----							1	
- 6	AN23-10	BOLT -----							1	
- 7	AN310-3	NUT -----							1	
	MS24665-136	COTTER PIN -----							1	B
	MS24665-132	COTTER PIN -----							1	C
- 8	AN155B32S	BARREL -----							1	
- 9	AN165-22RS	EYE-TURNBUCKLE -----							1	
		*-----								
-10	0760675-5	BELLCRANK ASSY-ELEVATOR REAR -----							1	
		ATTACHING PARTS								
-11	AN4-12A	BOLT -----							1	
-12	AN960-416	WASHER -----							1	
-13	MS21042L4	NUT -----							1	B
	MS21044N4	NUT -----							1	C
		*-----								
CONTINUED ON NEXT PAGE										



# 182 & T182 Parts Catalog

## Flight Controls (Cont)



**182 SERIAL 18262466 & ON**  
**F182 SERIAL F18200001 THRU F18200169**  
**T182 SERIAL 18267716 & ON**

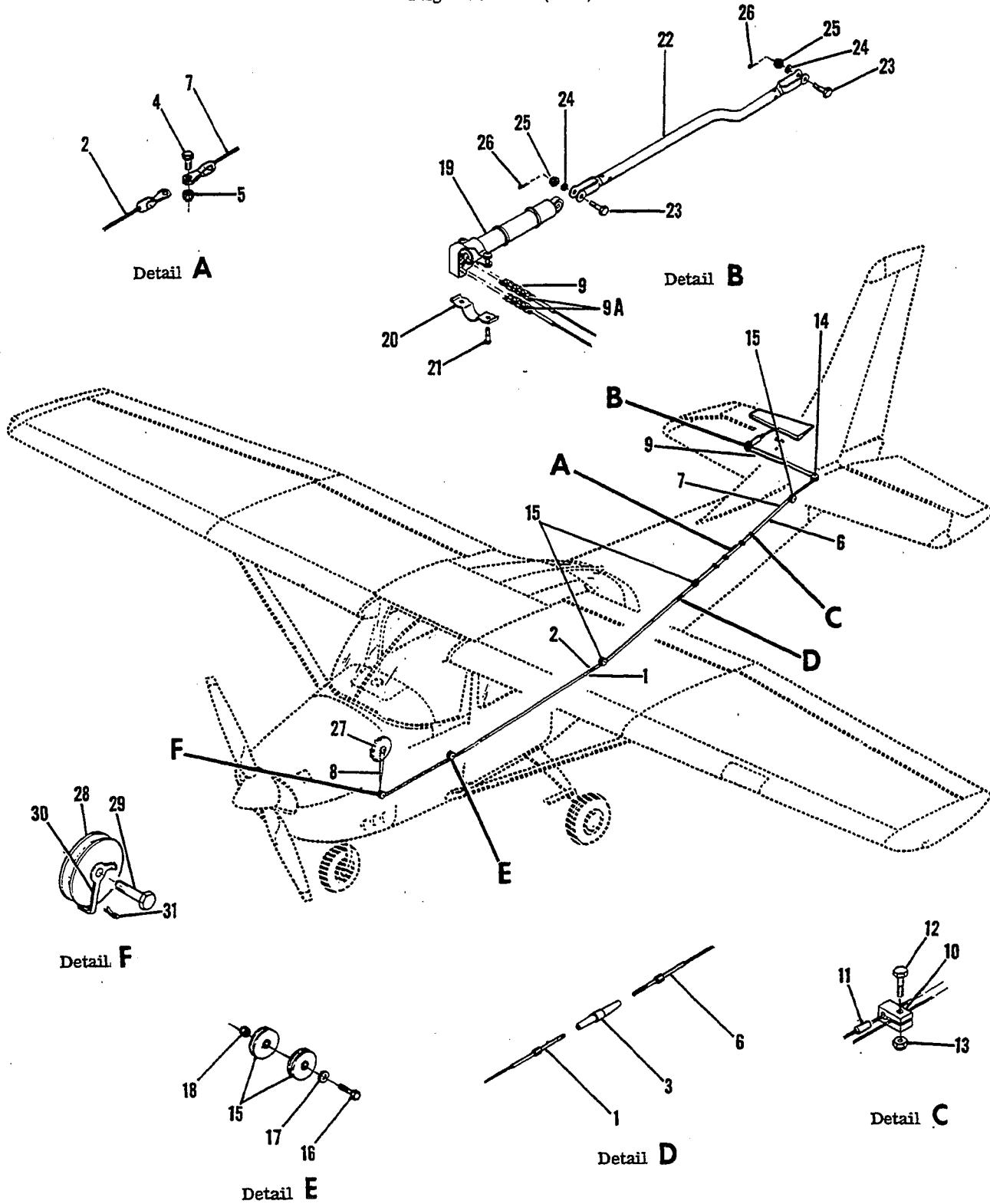
Figure 158. Elevator Control System

# 182 & T182 Parts Catalog

FIGURE AND INDEX NO.	PART NUMBER	DESCRIPTION							UNITS PER ASSY	USABLE ON CODE
		1	2	3	4	5	6	7		
158 -14	0761202-4	LINK-ELEVATOR BELLCRANK -----							2	
		ATTACHING PARTS								
-15	AN4-31A	BOLT -----							1	
-16	AN960-416	WASHER -----							2	
-17	MS21042L4	NUT -----							1	
-18	0760687-2	SPACER -----							2	
-19	0760130-1	LINK ASSY -----							2	
		*-----								
-20	MS20392-3C25	PIN -----							2	
	MS24665-132	COTTER PIN -----							2	
-21	0761202-2	LINK-ELEVATOR BELLCRANK -----							2	
		ATTACHING PARTS								
-22	AN24-14	BOLT -----							1	
-23	AN320-4	NUT -----							1	
-24	MS24665-134	COTTER PIN -----							1	
		*-----								
-25	0760685-1	SPRING-ELEVATOR BELLCRANK -----							2	
		ATTACHING PARTS								
-26	MS20392-3C19	PIN -----							1	
-27	NAS43HT4-16	SPACER -----							1	
-28	AN960-416L	WASHER -----							1	
-29	MS24665-132	COTTER PIN -----							1	B
	MS24665-136	COTTER PIN -----							1	C
		*-----								
-30	0510111-11	LINK-PUSH PULL -----							1	
		ATTACHING PARTS								
-31	AN4-10A	BOLT -----							1	
-32	MS21042L4	NUT -----							1	B
	MS21044N4	NUT -----							1	C
		*-----								
-33	MS20220-2	PULLEY -----							2	
		ATTACHING PARTS								
-34	AN5-11A	BOLT -----							1	
-35	AN960-516	WASHER -----							1	
-36	MS21042L5	NUT -----							1	
		*-----								
-37	MS24665-136	COTTER PIN -----							1	B
	MS24665-285	COTTER PIN -----							1	C
-38	S378-4	PULLEY -----							2	
		ATTACHING PARTS								
-39	AN4-10A	BOLT -----							1	
-40	AN960-416L	WASHER -----							1	
-41	MS21042L4	NUT -----							1	
		*-----								
-42	MS24665-136	COTTER PIN -----							4	B
	MS24665-285	COTTER PIN -----							4	C
-43	S378-3L	PULLEY -----							4	
		ATTACHING PARTS								
-44	AN4-10A	BOLT -----							1	
-45	AN960-416L	WASHER -----							1	
-46	MS21042L4	NUT -----							1	
		*-----								
-47	MS24665-136	COTTER PIN -----							2	
		A---182 SERIAL 18262466 & ON F182 SERIAL F18200001 THRU F18200169 T182 SERIAL 18267716 & ON B---182 SERIAL 18262466 & ON F182 SERIAL F18200001 THRU F18200169 C---T182 SERIAL 18267716 & ON								

# 182 & T182 Parts Catalog

## Flight Controls (Cont)



182 SERIAL 18262466 & ON  
 F182 SERIAL F1820001 THRU F18200169  
 T182 SERIAL 18267716 & ON

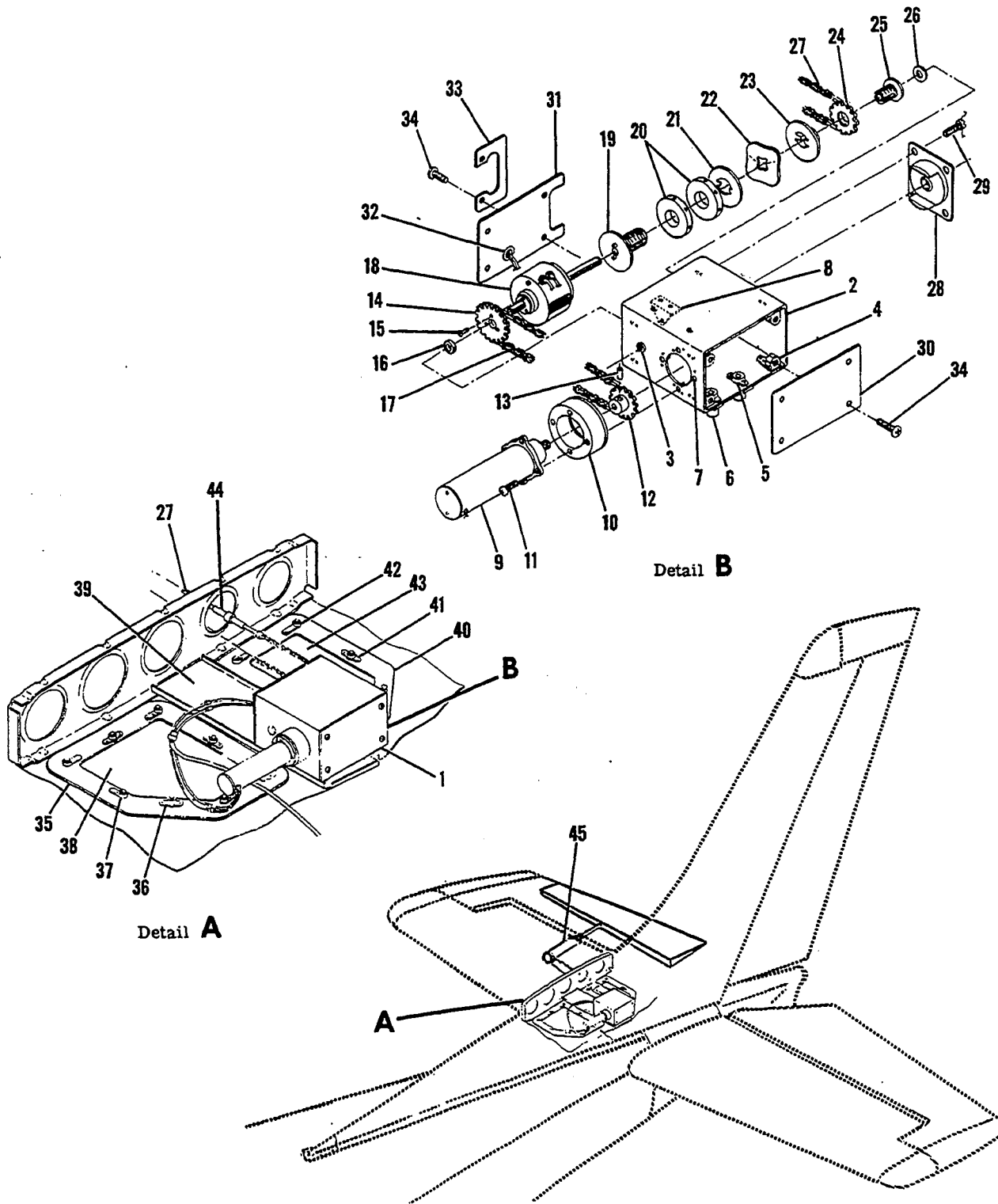
Figure 159. Elevator Trim Control System

# 182 & T182 Parts Catalog

FIGURE AND INDEX NO.	PART NUMBER	DESCRIPTION							UNITS PER ASSY	USABLE ON CODE
		1	2	3	4	5	6	7		
159 -		ELEVATOR TRIM CONTROL SYSTEM -----							NP	A
- 1	0510105-201	CABLE ASSY-LH FWD -----							1	
	0510105-301	CABLE ASSY-LH FWD STAINLESS STEEL -----							1	
- 2	0510105-202	CABLE ASSY-RH FWD -----							1	
	0510105-302	CABLE ASSY-RH FWD STAINLESS STEEL -----							1	
		ATTACHING PARTS								
- 3	AN155-8S	BARREL LH ONLY -----							1	
- 4	AN3-3A	BOLT RH ONLY -----							1	
- 5	MS21044N3	NUT RH ONLY -----							1	
		*-----								
- 6	0510105-87	CABLE ASSY-LH AFT -----							1	
	0510105-187	CABLE ASSY-LH AFT STAINLESS STEEL -----							1	
- 7	0510105-98	CABLE ASSY-RH AFT -----							1	
	0510105-198	CABLE ASSY-RH AFT STAINLESS STEEL -----							1	
- 8	0432138-6	CHAIN-FWD -----							1	B C B C
	S2295P25-67	CHAIN-FWD -----							1	
- 9	0432138-7	CHAIN-AFT -----							1	
	S2295P25-71	CHAIN-AFT -----							1	
		ATTACHING PARTS								
- 9A	S2294-25	CONNECTING LINK -----							1	
		*-----								
-10	0411523	BLOCK-ELEVATOR TAB STOP -----							4	
		ATTACHING PARTS								
-11	0411524	BUSHING -----							1	
-12	AN3-6A	BOLT -----							1	
-13	MS21044N3	NUT -----							1	
		*-----								
-14	S378-1	PULLEY-ELEVATOR TRIM -----							2	
-15	S378-1L	PULLEY-ELEVATOR TRIM -----							8	
-16	AN3-10A	BOLT -----							5	
-17	AN960-416L	WASHER -----							5	
-18	MS21044N3	NUT -----							5	
	MS24665-136	COTTER PIN -----							3	
-19	SEE FIG 162	ACTUATOR ASSY-ELEVATOR TRIM -----							1	
		ATTACHING PARTS								
-20	0432126	CLAMP -----							2	
-21	AN520-10R8	SCREW -----							4	
		*-----								
-22	0760133-1	TUBE-PUSH PULL -----							1	
		ATTACHING PARTS								
-23	NAS464P3-9	BOLT -----							2	
-24	AN960-10	WASHER -----							2	
-25	AN310C3	NUT -----							2	
-26	MS24665-134	COTTER PIN -----							2	
		*-----								
-27	SEE FIG 155	CONSOLE INSTALLATION -----							1	
-28	S378-2	PULLEY -----							2	
		ATTACHING PARTS								
-29	AN3-11A	BOLT -----							1	
-30	0760610-5	GUARD-CABLE -----							1	
-31	MS24665-144	COTTER PIN -----							1	
		*-----								
		A---182 SERIAL 18262466 & ON F182 SERIAL F18200001 THRU F18200169 T182 SERIAL 18267716 & ON B---182 SERIAL 18262466 THRU 18268293 T182 SERIAL 18267716 THRU 18268293 C---182 & T182 SERIAL 18268294 & ON								

# 182 & T182 Parts Catalog

## Flight Controls (Cont)



182 SERIAL 18264296 THRU 18265965  
 F182 SERIAL F18200001 THRU F18200064  
 Figure 160. Elevator Electric Trim Components Installation

# 182 & T182 Parts Catalog

FIGURE AND INDEX NO.	PART NUMBER	DESCRIPTION							UNITS PER ASSY	USABLE ON CODE
		1	2	3	4	5	6	7		
160 -		ELEVATOR ELECTRIC TRIM COMPONENTS INSTALLATION -----							NP	A
- 1	1260153-5	DRIVE ASSY-ELECTRIC TRIM-12 VOLT -----							1	
	AN3-7A	ATTACHING PARTS -----							4	
		BOLT -----								
		-----*								
- 2	1260158-1	HOUSING ASSY-ELECTRIC TRIM -----							1	
- 3	S1004-44A	BEARING -----							1	
- 4	AN256F8	NUTPLATE-SELF LOCKING RIGHT ANGLE -----							8	
- 5	NAS680A3	NUTPLATE -----							4	
- 6	1260158-3	MOUNTING PLATE -----							4	
- 7	NAS1068A08	NUTPLATE -----							4	
- 8	1260158-5	STOP ASSY-CLUTCH -----							1	
		ATTACHING PARTS -----							2	
	AN507-632R6	SCREW -----							2	
		-----*								
	NAS698A06L	NUTPLATE -----							2	
- 9	C610502-0101	MOTOR-GEAR -----							1	
		ATTACHING PARTS -----							1	
-10	1260155-4	MOUNTING PLATE -----							1	
	1260155-5	SHIM -----							1	
-11	AN515-8R10	SCREW -----							4	
	AN935-8L	WASHER -----							4	
		-----*								
-12	1260154-1	SPROCKET-ELECTRIC TRIM MOTOR -----							1	
		ATTACHING PARTS -----							1	
-13	NAS561P4-8	PIN -----							1	
		-----*								
-14	1560321-14	SPROCKET -----							1	
		ATTACHING PARTS -----							3	
-15	AN507-440R6	SCREW -----							3	
		-----*								
-16	NAS76A4-006	BUSHING -----							1	
-17	1260153-2	CHAIN -----							1	
-18	FTC750J	CLUTCH-12 VOLT ANPI -----							1	
	S1693-3	STA-STRAP -----							1	
-19	1260156-1	SPROCKET CLUTCH ASSY-ELECTRIC TRIM -----							1	
-20	1260156-4	SHAFT ASSY -----							1	
-21	1560321-10	NUT -----							2	
-22	1560321-4	WASHER -----							1	
-23	1560321-9	SPRING WASHER -----							1	
-24	1260156-6	WASHER ASSY -----							1	
-25	1260156-2	SPROCKET -----							1	
-26	1260156-3	SHAFT -----							1	
-27	AN960-416L	WASHER -----							AR	
-28	1260159-1	CHAIN ASSY -----							1	
-29	1260155-1	MOUNTING PLATE ASSY -----							1	
		ATTACHING PARTS -----							4	
-30	AN500A8-5	SCREW -----							4	
		-----*								
-31	1260157-4	COVER -----							1	
-32	1260157-1	COVER ASSY -----							1	
-33	MS35489-4S	GROMMET -----							1	
-34	1260157-3	RUB STRIP -----							1	
		ATTACHING PARTS -----							8	
-35	AN515-8R7	SCREW -----							8	
		-----*								
-36	0732001-1	DOUBLER ASSY -----							1	
-37	NAS680A3K	NUTPLATE -----							3	
	NAS682A3K	NUTPLATE -----							5	

CONTINUED ON NEXT PAGE

# 182 & T182 Parts Catalog

FIGURE AND INDEX NO.	PART NUMBER	DESCRIPTION	UNITS PER ASSY	USABLE ON CODE
		1 2 3 4 5 6 7		
160 -38	0732001-3	COVER PLATE-ACCESS ----- ATTACHING PARTS -----	1	
	AN515-10R6	SCREW ----- -----*	8	
-39	1232015-1	SUPPORT -----	1	
-40	0732002-1	DOUBLER ASSY -----	1	
-41	NAS680A3K	NUTPLATE -----	3	
-42	NAS682A3K	NUTPLATE -----	3	
-43	0732002-3	COVER PLATE-ACCESS ----- ATTACHING PARTS -----	1	
	AN515-10R6	SCREW ----- -----*	6	
-44	AN155-16S	BARREL -----	1	
-45	SEE FIG 162	ACTUATOR ASSY -----	1	
		A---182 SERIAL 18264296 THRU 18265965 F182 SERIAL F18200001 THRU F18200065		

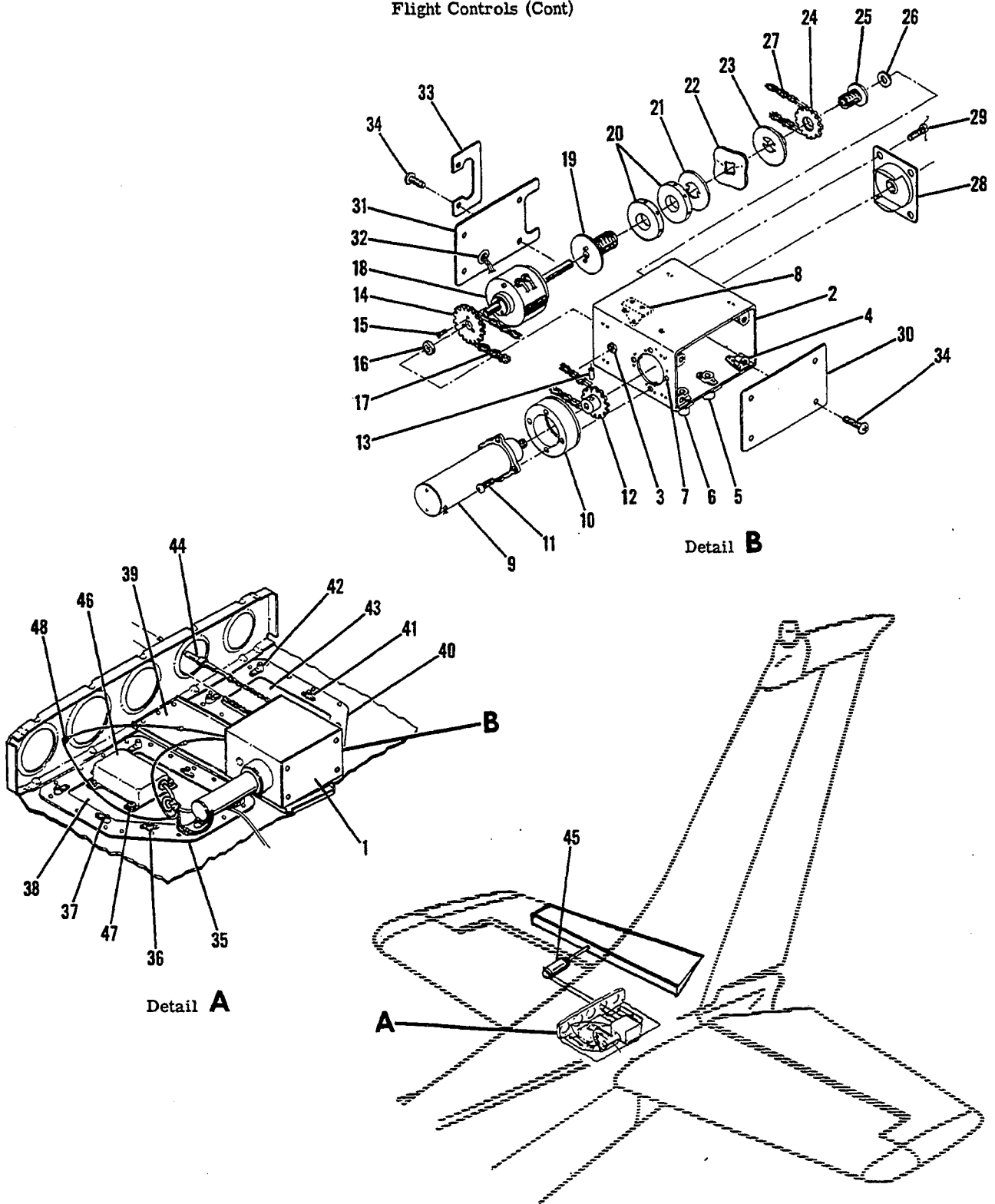
# 182 & T182 Parts Catalog

FIGURE AND INDEX NO.	PART NUMBER	DESCRIPTION							UNITS PER ASSY	USABLE ON CODE
		1	2	3	4	5	6	7		
161 -		ELEVATOR ELECTRIC TRIM COMPONENTS INSTALLATION -----							NP	A
- 1	1260153-3	DRIVE ASSY-ELECTRIC TRIM 24 VOLT -----							1	
	AN3-7A	ATTACHING PARTS -----								
		BOLT -----							4	
		-----*								
- 2	1260158-1	HOUSING ASSY-ELECTRIC TRIM -----							1	
- 3	S1004-44A	BEARING -----							1	
- 4	AN256F8	NUTPLATE-SELF LOCKING RIGHT ANGLE -----							8	
- 5	NAS680A3	NUTPLATE -----							4	
- 6	1260158-3	MOUNTING PLATE -----							4	
- 7	NAS1068A08	NUTPLATE -----							4	
- 8	1260158-5	STOP ASSY-CLUTCH -----							1	
		ATTACHING PARTS -----								
	AN507-632R6	SCREW -----							2	
		-----*								
	NAS698A06L	NUTPLATE -----							2	
- 9	C610502-0101	MOTOR-GEAR -----							1	
		ATTACHING PARTS -----								
-10	1260155-4	MOUNTING PLATE -----							1	
	1260155-5	SHIM -----							1	
-11	AN515-8R20	SCREW -----							4	
	AN935-8L	WASHER -----							4	
		-----*								
CONTINUED ON NEXT PAGE										



# 182 & T182 Parts Catalog

## Flight Controls (Cont)



182 SERIAL 18265966 THRU 18268293  
 T182 SERIAL 18267716 THRU 18268293  
 F182 SERIAL F1820065 THRU F18200169  
 Figure 161. Elevator Electric Trim Components Installation

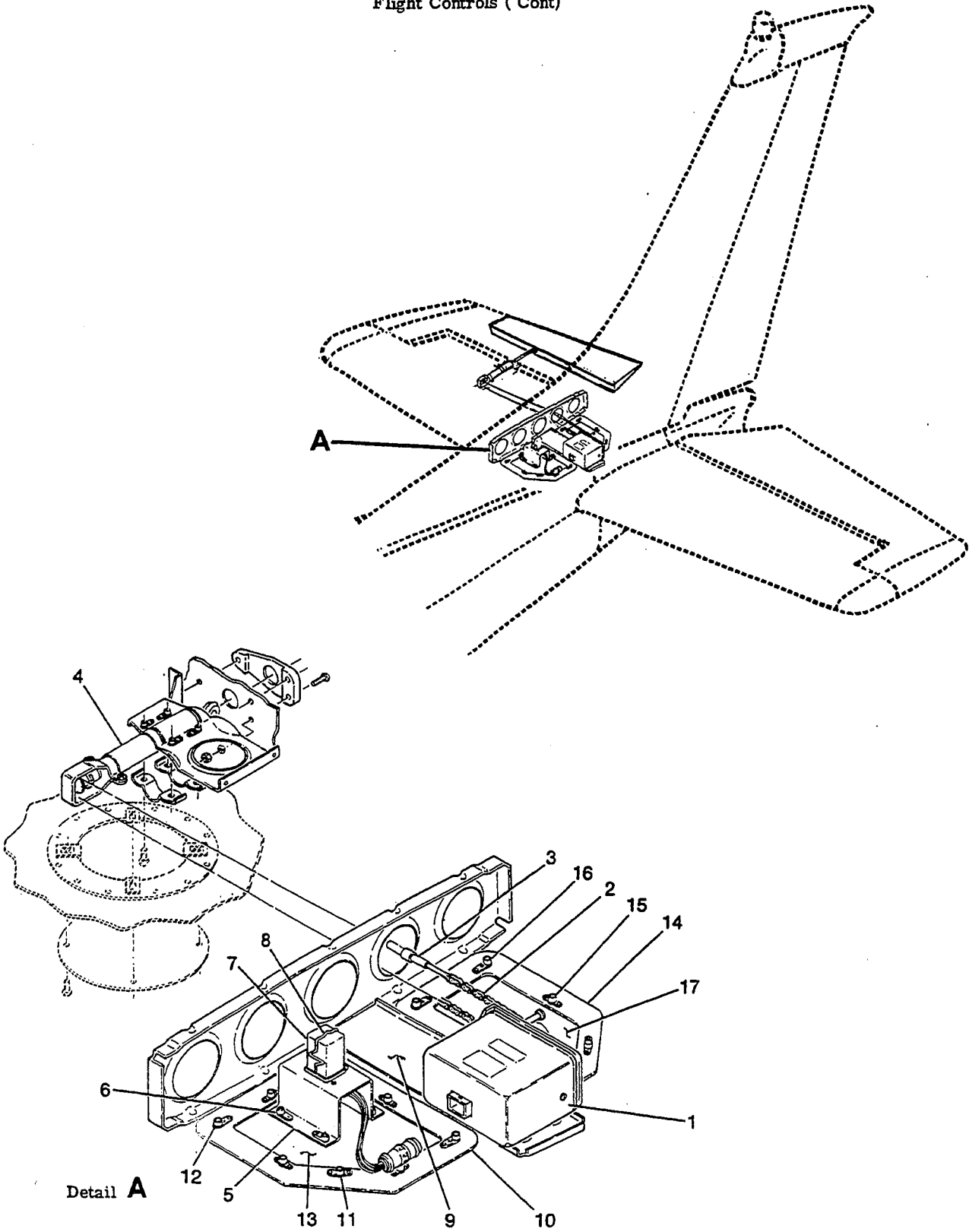
# 182 & T182 Parts Catalog

FIGURE AND INDEX NO.	PART NUMBER	DESCRIPTION							UNITS PER ASSY	USABLE ON CODE
		1	2	3	4	5	6	7		
161 -12	1260154-1	SPROCKET-ELECTRIC TRIM MOTOR -----							1	
-13	NAS561P4-8	ATTACHING PARTS -----							1	
-14	1560321-14	PIN -----							1	
-15	NAS514P440-6	*-----							1	
-16	NAS76A4-006	SPROCKET -----							1	
-17	1260153-2	ATTACHING PARTS -----							1	
-18	TCS20B	SCREW -----							3	
	FTC750H	*-----							1	
	S2209-3	BUSHING -----							1	
-19	1260156-1	CHAIN -----							1	
-20	1560321-10	CLUTCH 24 VOLT ANPI -----							1	
-21	1560321-4	CLUTCH 24 VOLT ALT ANPI -----							1	
-22	1560321-9	STA-STRAP -----							1	
-23	1260156-6	SPROCKET CLUTCH ASSY-ELECTRIC TRIM -----							1	
-24	1260156-2	SHAFT ASSY -----							1	
-25	1260156-3	NUT -----							2	
-26	AN960-416L	WASHER -----							1	
-27	1260159-1	SPRING WASHER -----							1	
-28	1260155-1	WASHER ASSY -----							1	
-29	AN500A8-5	SPROCKET -----							1	
-30	1260157-4	SHAFT -----							1	
-31	1260157-1	WASHER -----							AR	
-32	MS35489-4S	CHAIN -----							1	
-33	1260157-3	MOUNTING PLATE ASSY -----							1	
-34	AN515-8R7	ATTACHING PARTS -----							1	
-35	0732001-1	SCREW -----							4	
-36	NAS680A3K	*-----							1	
-37	NAS682A3K	COVER -----							1	
-38	0732001-4	COVER ASSY -----							1	
	AN515-10R6	GROMMET -----							1	
-39	1232015-1	RUB STRIP -----							1	
-40	0732002-1	ATTACHING PARTS -----							1	
-41	NAS680A3K	SCREW -----							8	
-42	NAS682A3K	*-----							1	
-43	0732002-3	DOUBLER ASSY -----							1	
	AN515-10R6	NUTPLATE -----							3	
-44	AN155-16S	NUTPLATE -----							5	
-45	SEE FIG 162	COVER PLATE-ACCESS -----							1	
-46	C611003-0101	ATTACHING PARTS -----							1	
-47	AN515-6R6	SCREW -----							8	
	AN960-6L	*-----							1	
	MS21044N06	SUPPORT -----							1	
-48	AN515-6R6	DOUBLER ASSY -----							1	
	AN960-6L	NUTPLATE -----							3	
	MS21044N06	NUTPLATE -----							3	
		COVER PLATE ACCESS -----							1	
		ATTACHING PARTS -----							1	
		SCREW -----							6	
		*-----							1	
		BARREL -----							1	
		ACTUATOR ASSY -----							1	
		VOLTAGE REGULATOR -----							1	
		ATTACHING PARTS -----							1	
		SCREW -----							4	
		WASHER -----							4	
		NUT -----							4	
		*-----							1	
		SCREW -----							1	
		WASHER -----							1	
		NUT -----							1	

A---182 SERIAL 18265966 THRU 18268293  
 F182 SERIAL F18200065 THRU F18200169  
 T182 SERIAL 18267716 THRU 18268293

# 182 & T182 Parts Catalog

Flight Controls ( Cont)



**182 & T182 SERIAL 18268294 & ON**

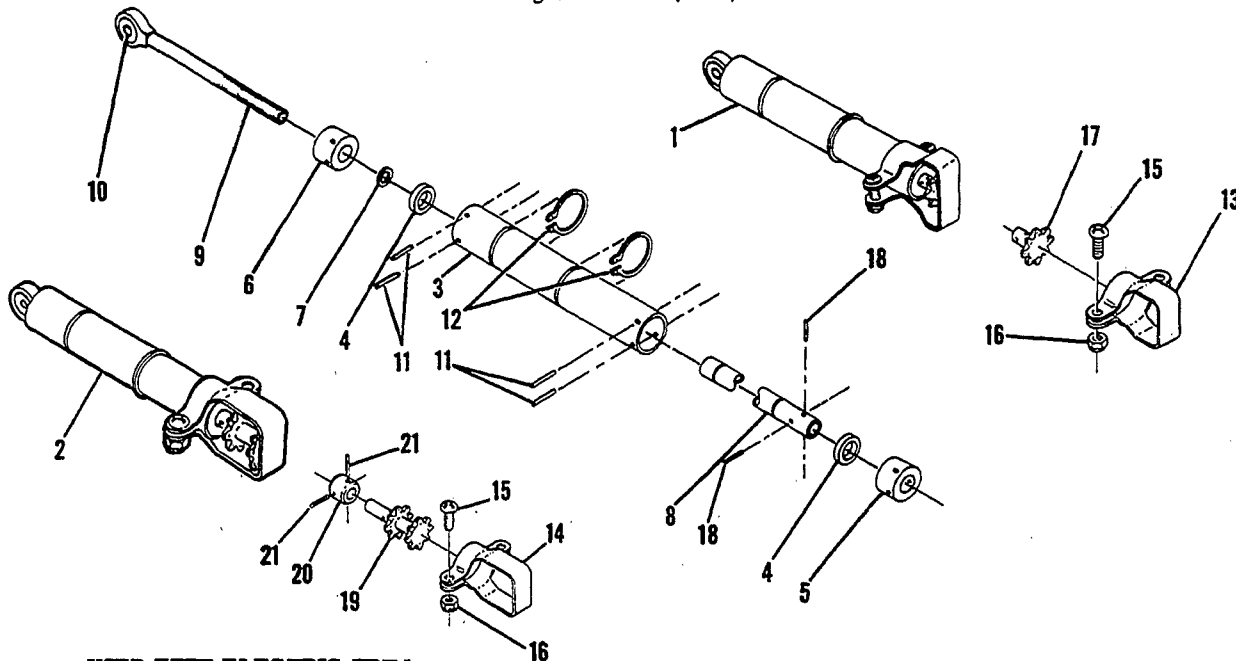
Figure 161A. Elevator Electric Trim Components Installation

# 182 & T182 Parts Catalog

FIGURE AND INDEX NO.	PART NUMBER	DESCRIPTION							UNITS PER ASSY	USABLE ON CODE
		1	2	3	4	5	6	7		
161A-		ELEVATOR ELECTRIC TRIM COMPONENTS INSTALLATION -----							NP	A
- 1	44430-3257	ACTUATOR-ELECTRIC TRIM ARC-TYPE TA495A -----							1	
	44575-2201	MOUNT-TRIM ACTUATOR ARC -----							1	
	AN3-7A	ATTACHING PARTS -----								
		BOLT -----							4	
		-----*								
- 2	1260159-1	CHAIN ASSY-ELEVATOR TRIM -----							1	
- 3	AN155-16S	BARREL -----							1	
- 4	SEE FIG 162	ACTUATOR ASSY-TRIM TAB -----							1	
	2270035-1	RELAY ASSY-AUTOPILOT DISCONNECT -----							1	
		ATTACHING PARTS -----								
	AN515-6R5	SCREW -----							4	
		-----*								
- 5	2270034-1	BRACKET ASSY-ELECTRIC TRIM RELAY -----							1	
- 6	NAS682A06	NUTPLATE -----							4	
- 7	CM3525-2	RELAY -----							1	
- 8	S2032-2	SPRING -----							1	
- 9	1232015-1	SUPPORT-ACTUATOR -----							1	
-10	0732001-1	DOUBLER ASSY-ACCESS -----							1	
-11	NAS680A3K	NUTPLATE -----							3	
-12	NAS682A3K	NUTPLATE -----							5	
-13	0732001-4	COVER PLATE-ACCESS -----							1	
		ATTACHING PARTS -----								
	AN515-10R6	SCREW -----							8	
		-----*								
-14	0732002-1	DOUBLER ASSY-ACCESS -----							1	
-15	NAS680A3K	NUTPLATE -----							3	
-16	NAS682A3K	NUTPLATE -----							3	
-17	0732002-3	COVER PLATE-ACCESS -----							1	
		ATTACHING PARTS -----								
	AN515-10R8	SCREW -----							6	
		-----*								
A---182 & T182 SERIAL 18268294 & ON										

# 182 & T182 Parts Catalog

## Flight Controls (Cont)



USED WITH ELECTRIC TRIM

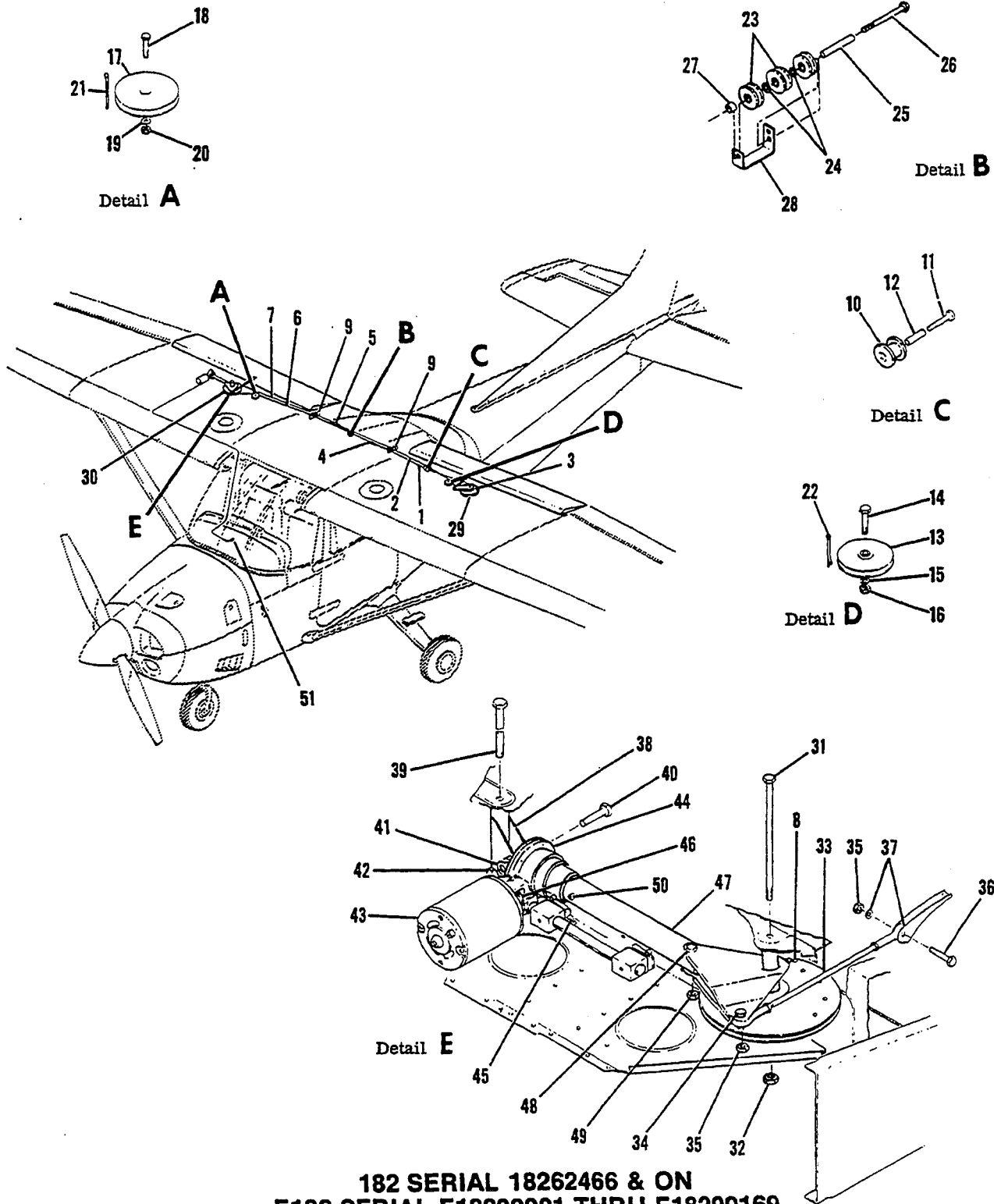
**182 SERIAL 18262466 & ON  
F182 SERIAL F18200001 THRU F18200169  
T182 SERIAL 18267716 & ON**

Figure 162. Elevator Trim Tab Actuator Assembly

FIGURE AND INDEX NO.	PART NUMBER	DESCRIPTION	UNITS PER ASSY							USABLE ON CODE
			1	2	3	4	5	6	7	
162 - 1	1260074-1	ELEVATOR TRIM TAB ACTUATOR ASSY -----	1							A
- 2	1260074-7	ELEVATOR TRIM TAB ACTUATOR ASSY USED WITH ELECTRIC TRIM -----	1							B
- 3	0310296	HOUSING -----	1							
- 4	0310295	COLLAR-ACTUATOR -----	1							
- 5	0310297-1	BEARING -----	1							
- 6	0310298-1	BEARING -----	1							
- 7	AN6227-5	PACKING -----	1							
- 8	1260049-1	SCREW-INTERNAL THREADS -----	1							
- 9	0310362-5	SCREW ASSY -----	1							
- 10	PN3A	BEARING TOR -----	1							
- 11	3/32X.625TYPE3	GROOV-PIN -----	1							
- 12	MS16624-1081	RING-RETAINER OUTSIDE -----	4							
- 13	0310422-1	GUARD-ROLL CHAIN -----	2							A
- 14	1260147-1	GUARD-ROLL CHAIN USED WITH ELECTRIC TRIM -----	1							B
		ATTACHING PARTS -----								
- 15	AN515-8R8	SCREW -----	2							
- 16	MS21044N08	NUT -----	2							
		* -----								
- 17	0310332	SPROCKET -----	1							A
		ATTACHING PARTS -----								
- 18	3/32X.375TYPE3	GROOV-PIN -----	2							A
		* -----								
- 19	1260113-1	SPROCKET USED WITH ELECTRIC TRIM -----	1							B
		ATTACHING PARTS -----								
- 20	1260113-2	COLLAR USED WITH ELECTRIC TRIM -----	1							B
- 21	3/32X.500TYPE3	GROOV-PIN USED WITH ELECTRIC TRIM -----	2							B
		* -----								
A---182 SERIAL 18262466 & ON F182 SERIAL F18200001 THRU F18200169 T182 SERIAL 18267716 & ON										
B---182 SERIAL 18264296 & ON F182 SERIAL F18200001 THRU F18200169 T182 SERIAL 18267716 & ON										

# 182 & T182 Parts Catalog

## Flight Controls (Cont)



**182 SERIAL 18262466 & ON**  
**F182 SERIAL F18200001 THRU F18200169**  
**T182 SERIAL 18267716 & ON**

Figure 163. Electric Flap Control System

# 182 & T182 Parts Catalog

FIGURE AND INDEX NO.	PART NUMBER	DESCRIPTION	UNITS PER ASSY							USABLE ON CODE	
			1	2	3	4	5	6	7		
163 -		FLAP CONTROL SYSTEM-ELECTRIC -----								NP	A
- 1	0510105-93	CABLE ASSY-FLAP RETRACT LH -----								1	
	0510105-193	CABLE ASSY-FLAP RETRACT LH STAINLESS STEEL -----								1	
- 2	0510105-91	CABLE ASSY-FLAP DIRECT LH -----								1	
	0510105-191	CABLE ASSY-FLAP DIRECT LH STAINLESS STEEL -----								1	
		ATTACHING PARTS -----									
- 3	MS20392-1C11	PIN -----								1	
	MS24665-134	COTTER PIN -----								1	
- 4	AN155-32S	BARREL FLAP RETRACT ONLY -----								1	
- 5	AN155-16S	BARREL FLAP DIRECT ONLY -----								1	
		-----*									
- 6	0510105-94	CABLE ASSY-FLAP RETRACT RH -----								1	
	0510105-194	CABLE ASSY-FLAP RETRACT RH STAINLESS STEEL -----								1	
- 7	0510105-92	CABLE ASSY-FLAP DIRECT RH -----								1	
	0510105-192	CABLE ASSY-FLAP DIRECT RH STAINLESS STEEL -----								1	
		ATTACHING PARTS -----									
- 8	MS20392-1C11	PIN -----								1	
	MS24665-134	COTTER PIN -----								1	
		-----*									
- 9	0760616-1	RUB STRIP -----								2	
	0760615-1	GUARD -----								2	
		ATTACHING PARTS -----									
	AN515-8R12	SCREW -----								2	
	MS21042L08	NUT -----								2	
		-----*									
-10	S1052-1	PULLEY LH ONLY -----								1	
		ATTACHING PARTS -----									
-11	AN3-11A	BOLT -----								1	
-12	1260064-1	BUSHING -----								1	
		-----*									
-13	MS20220-2	PULLEY LH ONLY -----								1	
		ATTACHING PARTS -----									
-14	AN5-12A	BOLT -----								1	
-15	AN960-516L	WASHER -----								1	
-16	MC21042L5	NUT -----								1	
		-----*									
-17	S378-2	PULLEY RH ONLY -----								1	
		ATTACHING PARTS -----									
-18	AN3-6A	BOLT -----								1	
-19	AN960-10	WASHER -----								1	
-20	MS21044N3	NUT -----								1	
		-----*									
-21	MS24665-283	COTTER PIN -----								1	
-22	MS24665-285	COTTER PIN -----								1	
-23	S394	PULLEY -----								2	
		ATTACHING PARTS -----									
-24	AN960-416	WASHER -----								2	
-25	0512138	BUSHING -----								1	
-26	AN3-21A	BOLT -----								1	
-27	NAS43HT4-16	SPACER -----								1	
-28	0512136	GUARD -----								1	
		-----*									
-29	0760612-7	DRIVE PULLEY ASSY-LH -----								1	
	0762054-5	DRIVE PULLEY ASSY-LH -----								1	
-30	0762024-24	DRIVE PULLEY ASSY-RH -----								1	
	0762054-3	DRIVE PULLEY ASSY-RH WEU 0762054-4 -----								1	
	0762054-4	DRIVE PULLEY ASSY-RH -----								1	
		ATTACHING PARTS -----									
-31	AN4-57A	BOLT -----								1	
	0523536-1	BUSHING -----								1	
	S1450-20B12-032	WASHER -----								1	
	AN960-416	WASHER -----								2	
-32	MS21042L4	NUT -----								1	
		-----*									
	S1997-6H10	BEARING TOR -----								2	
-33	0523537	ROD ASSY -----								2	
	1260128-9	PUSH ROD ASSY -----								2	
		ATTACHING PARTS -----									
-34	AN3-6A	BOLT -----								1	
-35	MS21044N3	NUT -----								1	
-36	AN3-10A	BOLT -----								1	
-37	AN960-10	WASHER 2 EACH SIDE OF ROD END -----								5	
		-----*									

CONTINUED ON NEXT PAGE

# 182 & T182 Parts Catalog

FIGURE AND INDEX NO.	PART NUMBER	DESCRIPTION							UNITS PER ASSY	USABLE ON CODE
		1	2	3	4	5	6	7		
163 -38	0760619-1	HINGE ASSY-FLAP MOTOR -----							1	
-39	AN4-56A	ATTACHING PARTS -----							1	
	0523536-1	BOLT -----							1	
	S1450-20B12-032	BUSHING -----							1	
	MS21042L4	WASHER -----							1	
		NUT -----							1	
		*-----								
	C301002-0309	ACTUATOR & MOTOR ASSY					INTERNAL FILTERED	12 VOLT	1	E N P D
	C301002-0310	ACTUATOR & MOTOR ASSY					INTERNAL FILTERED	24 VOLT	1	
	C301002-0114	ACTUATOR & MOTOR ASSY					INTERNAL FILTERED	24 VOLT	1	
	C301002-0301	ACTUATOR & MOTOR ASSY					INTERNAL FILTERED	WEU C301002-0309	1	
		ATTACHING PARTS -----								
-40	AN6-15A	BOLT -----							1	
-41	AN960-616	WASHER -----							1	
-42	MS21042L6	NUT -----							1	
		*-----								
-43	C301002-0103	MOTOR-FLAP ACTUATOR					INTERNAL FILTERED	12 VOLT	1	J H D K P
	C301002-0104	MOTOR-FLAP ACTUATOR					INTERNAL FILTERED	24 VOLT	1	
-44	C301002-0308	ACTUATOR & SWITCH BAR ASSY					WEU C301002-0312		1	
	C301002-0312	ACTUATOR & SWITCH BAR ASSY							1	
	C301002-0116	ACTUATOR & SWITCH BAR ASSY							1	
-45	V3L-3-D9	SWITCH -----							2	
		ATTACHING PARTS -----								
	AN515-4-9	SCREW -----							2	
	AN936A4	WASHER -----							2	
		*-----								
-46	C301001-0211	COUPLING-ACTUATOR -----							1	
-47	0760620-1	TUBE ASSY-FLAP ACTUATOR -----							1	B F G
	0760620-9	TUBE ASSY-FLAP ACTUATOR					WEU 0760620-11		1	
	0760620-11	TUBE ASSY-FLAP ACTUATOR -----							1	
		ATTACHING PARTS -----								
-48	AN4-15	BOLT -----							1	
	0760614-1	BUSHING -----							1	
-49	AN310-4	NUT -----							1	
	MS24665-134	COTTER PIN -----							1	
		*-----								
-50	S500-1	BEARING-OILITE -----							1	B C
	AN565D8H3	SETSCREW -----							1	
	AN565B428H4	SETSCREW -----							1	
-51	SEE FIG 165	FLAP CONTROL DETAIL INSTALLATION -----							1	
<p>A---182 SERIAL 18262466 &amp; ON            F182 SERIAL F18200001 THRU F18200169            T182 SERIAL 18267716 &amp; ON</p> <p>B---182 SERIAL 18262466 THRU 18262541 &amp; 18262545</p> <p>C---182 SERIAL 18262542 THRU 18262544,            18262546 &amp; ON            F182 SERIAL F18200001 THRU F18200169            T182 SERIAL 18267716 &amp; ON</p> <p>D---182 SERIAL 18262466 THRU 18265965</p> <p>E---182 SERIAL 18262466 THRU 18265965            F182 SERIAL F18200001 THRU F18200064</p> <p>F---182 SERIAL 18262542 THRU 18262544            18262546 THRU 18266521</p> <p>G---182 SERIAL 18266522 &amp; ON</p> <p>H---182 SERIAL 18265966 &amp; ON            F182 SERIAL F18200065 THRU F18200169            T182 SERIAL 18267716 &amp; ON</p> <p>J---182 SERIAL 18262466 THRU 18265965            F182 SERIAL F18200001 THRU F18200064</p> <p>K---182 SERIAL 18266201, 18266205 THRU 18267715</p> <p>L---182 SERIAL 18262466 THRU 18266306            F182 SERIAL F18200001 THRU F18200094</p> <p>M---182 SERIAL 18266307 &amp; ON            F182 SERIAL F18200095 THRU F18200169            T182 SERIAL 18267716 &amp; ON</p> <p>N---182 SERIAL 18265966 THRU 18267715            F182 SERIAL F18200065 THRU F18200169</p> <p>P---182 &amp; T182 SERIAL 18267716 &amp; ON</p> <p>R---182 SERIAL 18262466 THRU 18268293            T182 SERIAL 18267716 THRU 18268293</p> <p>S---182 &amp; T182 SERIAL 18268294 &amp; ON</p> <p>T---182 SERIAL 18266307 THRU 18268370            F182 SERIAL F18200095 THRU F18200169            T182 SERIAL 18267716 THRU 18268370</p> <p>U---182 &amp; T182 SERIAL 18268371 &amp; ON</p>										

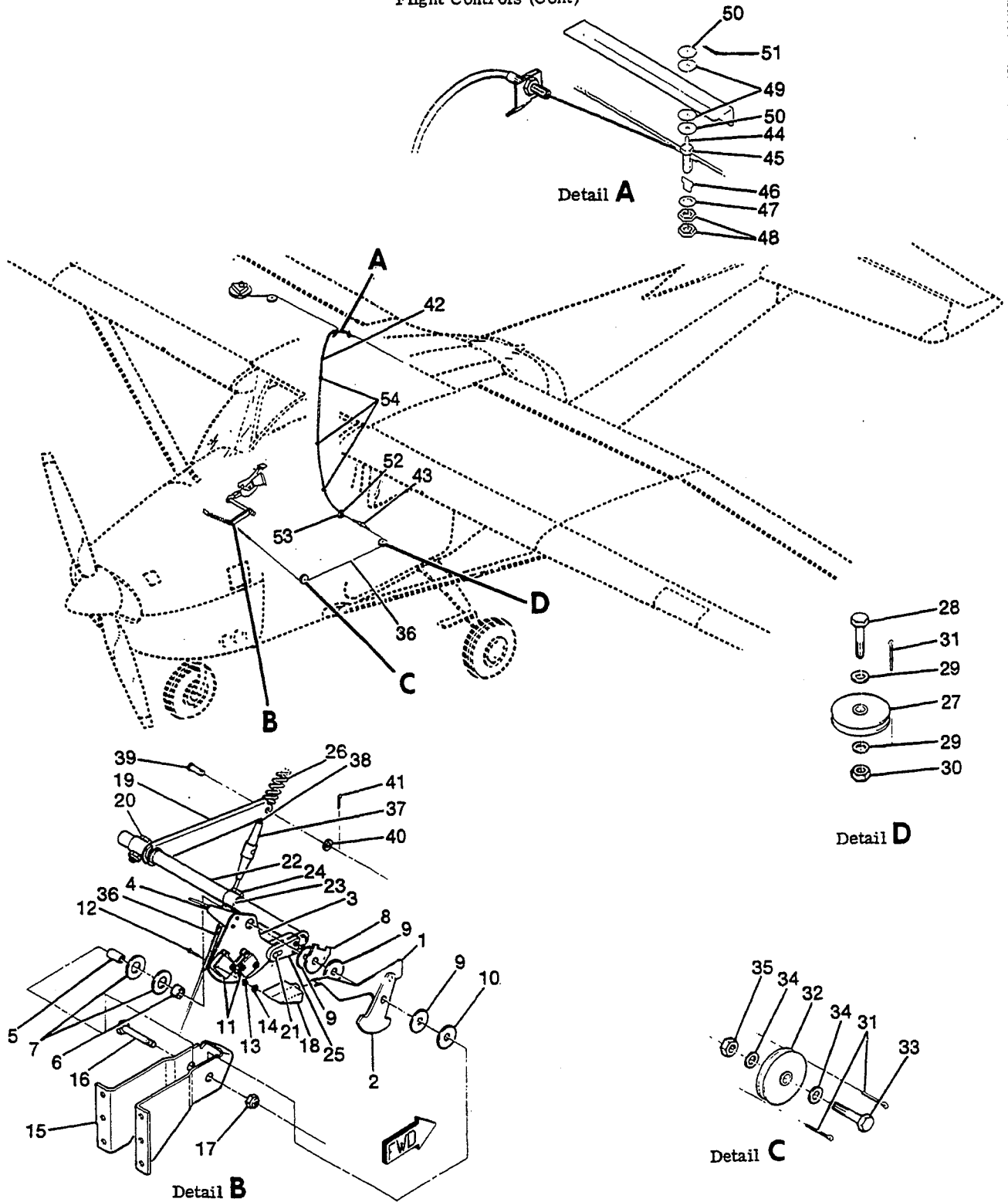


# 182 & T182 Parts Catalog

FIGURE AND INDEX NO.	PART NUMBER	DESCRIPTION							UNITS PER ASSY	USABLE ON CODE
		1	2	3	4	5	6	7		
164 -		FLAP CONTROLS DETAIL INSTALLATION -----							NP	A
- 1	1512280-13	LEVER ASSEMBLY-FLAP WEU 1512280-41 -----							1	B
	1512280-41	LEVER ASSEMBLY-FLAP -----							1	C
	1512280-11	LEVER-FLAP CONTROL WEU 1512280-43 -----							1	B
	1512280-43	LEVER-FLAP CONTROL -----							1	C
- 2	1452530-6	CAM -----							1	
	1260611-8	ARM ASSEMBLY-FLAP -----								
- 3	0762050-2	ARM -----								
- 4	1260611-6	INDICATOR ASSEMBLY -----							1	
- 4A	S2445-1	TIP-INDICATOR -----							1	
- 4B	1670019-1	INSULATOR -----							2	
- 5	NAS75-3-016	BUSHING -----							1	
- 6	1512280-24	BUSHING -----							1	
- 7	S2389-7	WASHER -----							2	
- 8	0762049-1	BRACKET -----							1	
- 9	S2202-3	WASHER -----							3	
- 10	1452533-2	WASHER -----							1	
- 11	S1906-1	SWITCH -----							2	
		ATTACHING PARTS								
- 12	AN515-4R12	SCREW -----							2	
- 13	AN960-D4	WASHER -----							2	
- 14	1512282-3	NUT -----							2	
		*-----								
- 15	1262001-3	BRACKET -----							1	
- 16	AN3-11A	BOLT -----							1	
- 17	MS21044N3	NUT -----							1	
CONTINUED ON NEXT PAGE										

# 182 & T182 Parts Catalog

Flight Controls (Cont)



**182 SERIAL 18262466 & ON**  
**F182 SERIAL F18200001 THRU F18200169**  
**T182 SERIAL 18267716 & ON**

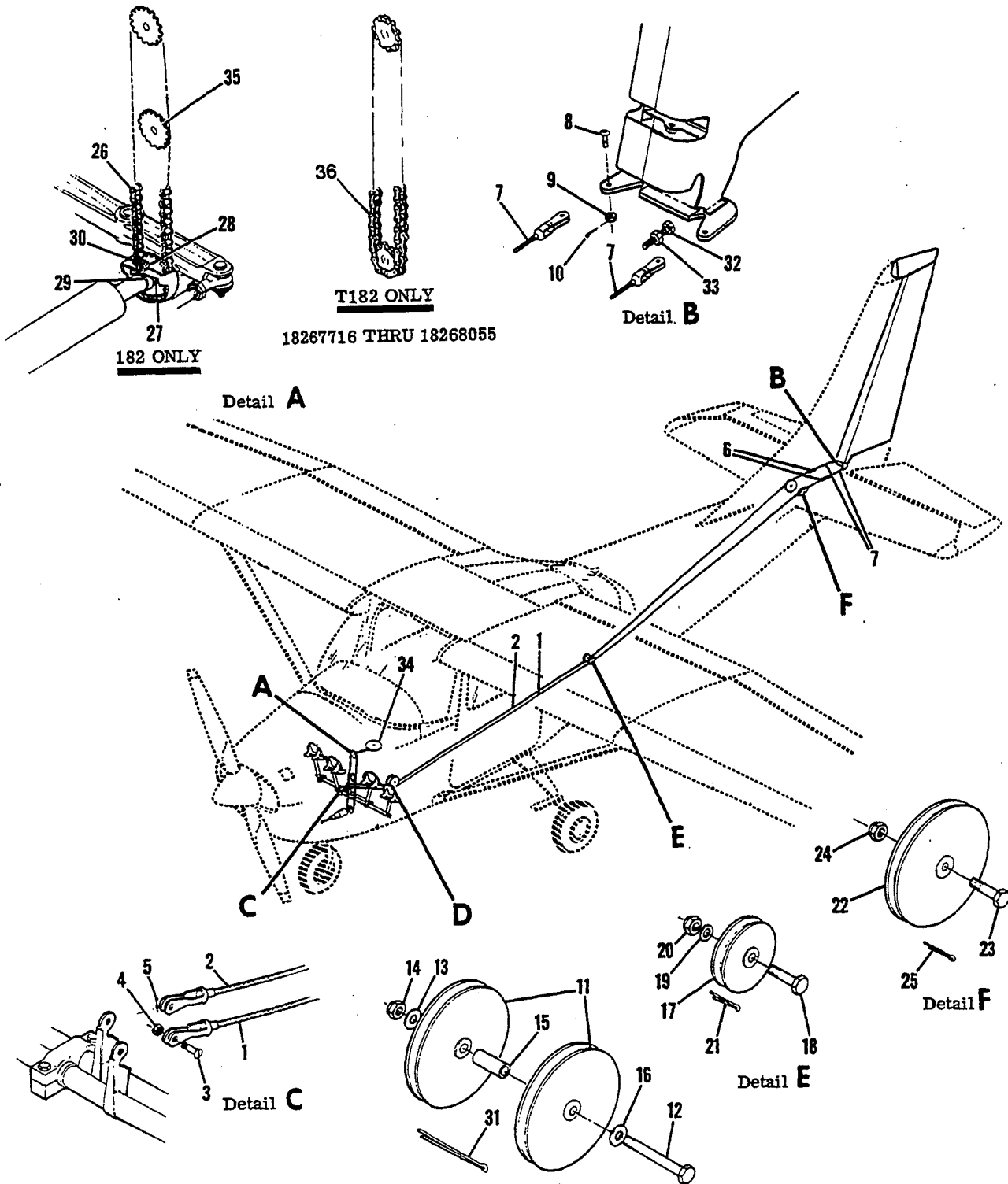
Figure 164. Flap Control Detail Installation

# 182 & T182 Parts Catalog

FIGURE AND INDEX NO.	PART NUMBER	DESCRIPTION							UNITS PER ASSY	USABLE ON CODE		
		1	2	3	4	5	6	7				
164	-18	S1771-3	KNOB -----							1		
	-19	0762039-1	ARM ASSEMBLY -----							1		
			ATTACHING PARTS -----									
		-20	AN3-5A	BOLT -----							1	
			AN960-10L	WASHER -----							2	
			MS20364-1032C	NUT -----							1	
				---*---								
		-21	MS20392-2C19	PIN -----							1	
			AN960-10L	WASHER -----							2	
			MS24665-132	PIN-COTTER -----							1	
		-22	0762038-1	TUBE ASSEMBLY-TORQUE -----							1	
				ATTACHING PARTS -----								
		-23	0762041-1	COLLAR -----							1	
		-24	AN3-5A	BOLT -----							1	
			AN960-10L	WASHER -----							2	
			MS20364-1032C	NUT -----							1	
				---*---								
		-25	0762038-2	BELLCRANK -----							1	
		-26	0762040-1	SPRING -----							1	
		-27	S378-1	PULLEY -----							1	
				ATTACHING PARTS -----								
		-28	AN3-7A	BOLT -----							1	
		-29	AN960-10	WASHER -----							2	
		-30	MS21044N3	NUT -----							1	
				---*---								
		-31	MS24665-136	PIN-COTTER -----							3	
		-32	S378-1	PULLEY -----							1	
				ATTACHING PARTS -----								
		-33	AN3-10A	BOLT -----							1	
		-34	AN960-10L	WASHER -----							1	
		-35	MS21044N3	NUT -----							1	
				---*---								
		-36	0510105-231	CABLE ASSEMBLY -----							1	
				ATTACHING PARTS -----								
	-37	AN155B8S	BARREL -----							1		
	-38	AN161-8LS	FORK -----							1		
	-39	MS20392-2C11	PIN -----							1		
	-40	AN960-10L	WASHER -----							1		
	-41	MS24665-132	PIN-COTTER -----							1		
			---*---									
	-42	S2083-1	CONTROL ASSEMBLY -----							1		
			ATTACHING PARTS -----									
	-43	AN3-4A	BOLT -----							1		
		AN960-10L	WASHER -----							1		
		MS21044N3	NUT -----							1		
	-44	1260538-10	CLAMP ASSY -----							1		
	-45	1260538-9	CLAMP -----							1		
	-46	1260538-7	CLAMP BAR -----							1		
	-47	AN960-516L	WASHER -----							1		
	-48	AN316-5R	NUT -----							2		
	-49	S2202-3	WASHER -----							2		
	-50	NAS70-177-500	WASHER -----							2		
	-51	MS24665-132	COTTER PIN -----							1		
	-52	0713307-2	CLAMP -----							2		
	-53	AN3-13A	BOLT -----							2		
		AN960-10L	WASHER -----							2		
	-54	S2209-1	STA-STRAP -----							3		
			---*---									
			A---182 SERIAL 18262466 & ON F182 SERIAL F18200001 THRU F18200169 T182 SERIAL 18267716 & ON B---182 SERIAL 18262466 THRU 18267715 F182 SERIAL F18200001 THRU F18200169 C---182 & T182 SERIAL 18267716 & ON									

# 182 & T182 Parts Catalog

## Flight Controls (Cont)



**182 ONLY**

**T182 ONLY**

18267716 THRU 18268055

Detail A

Detail B

Detail C

Detail D

Detail E

Detail F

**182 SERIAL 18262466 & ON**  
**F182 SERIAL F1820001 THRU F18200169**  
**T182 SERIAL 18267716 & ON**

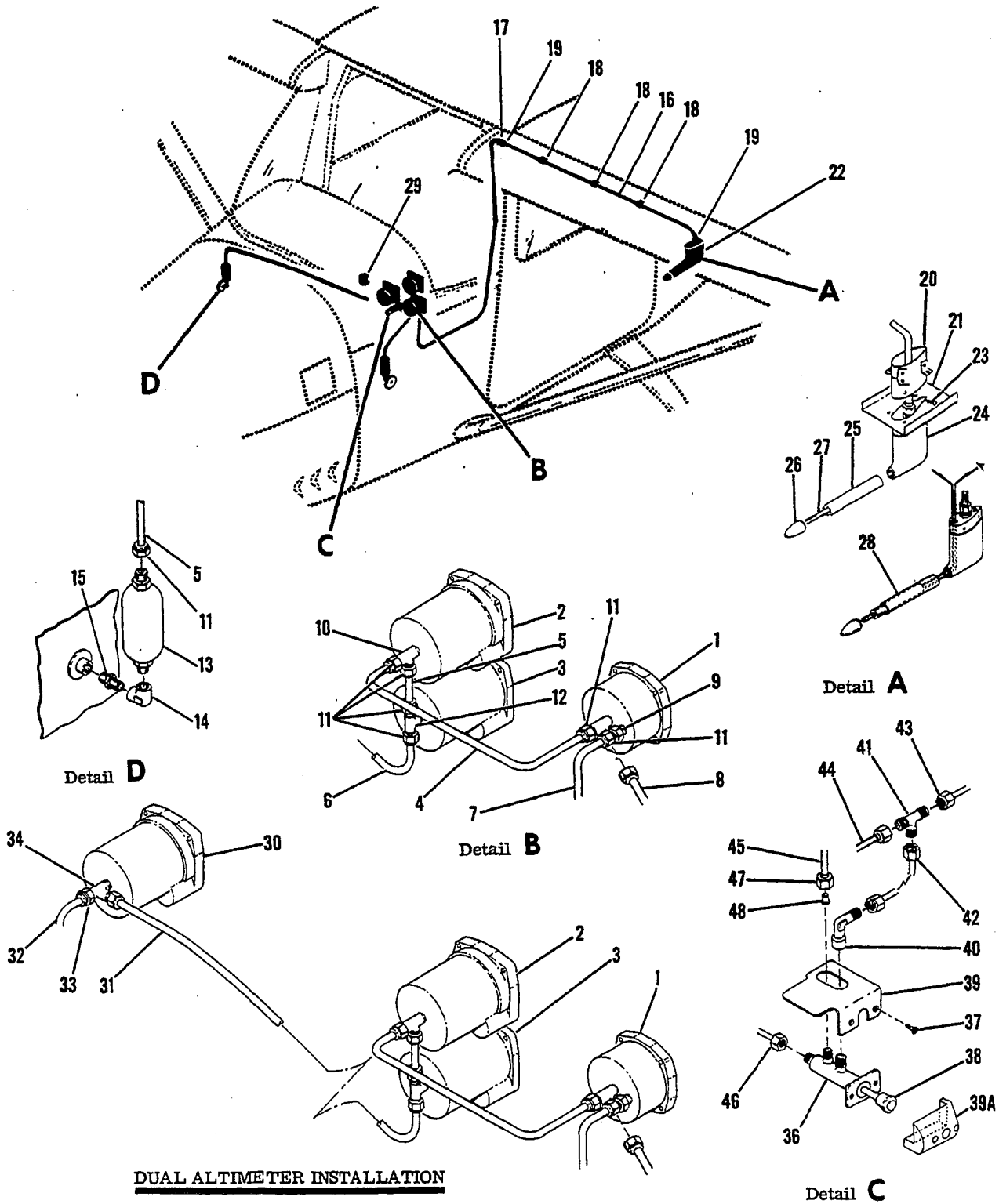
Figure 165. Rudder Control System Installation

# 182 & T182 Parts Catalog

FIGURE AND INDEX NO.	PART NUMBER	DESCRIPTION							UNITS PER ASSY	USABLE ON CODE
		1	2	3	4	5	6	7		
165 -		RUDDER CONTROL SYSTEM INSTALLATION -----							NP	A
- 1	0510105-77	CABLE ASSEMBLY-FWD LH -----							1	
	0510105-177	CABLE ASSEMBLY-FWD LH STAINLESS STEEL -----							1	
- 2	0510105-78	CABLE ASSEMBLY-FWD RH -----							1	
	0510105-178	CABLE ASSEMBLY-FWD RH STAINLESS STEEL -----							1	
		ATTACHING PARTS								
- 3	AN23-10A	BOLT -----							1	
- 4	AN310-3	NUT -----							1	
- 5	MS24665-134	PIN-COTTER -----							1	
- 6	AN155-32S	BARREL -----							1	
		-----*								
- 7	1260105-9	CABLE ASSEMBLY-RUDDER AFT -----							2	
	1260105-109	CABLE ASSEMBLY-RUDDER AFT STAINLESS STEEL -----							2	
		ATTACHING PARTS								
- 8	AN23-10	BOLT -----							1	
- 9	AN310-3	NUT -----							1	
-10	MS24665-134	PIN-COTTER -----							1	
		-----*								
-11	S378-4	PULLEY -----							2	
		ATTACHING PARTS								
-12	AN4-22A	BOLT -----							1	
-13	AN960-416L	WASHER -----							1	
-14	MS21042L4	NUT -----							1	
-15	NAS43HT4-55	SPACER -----							1	
-16	AN960-416	WASHER 182 ONLY -----							1	
		-----*								
-17	S378-3L	PULLEY -----							2	
		ATTACHING PARTS								
-18	AN4-10A	BOLT -----							1	
-19	AN960-416L	WASHER -----							1	
-20	MS21042L4	NUT -----							1	
		-----*								
-21	MS24665-136	PIN-COTTER -----							2	
-22	S378-4	PULLEY -----							2	
		ATTACHING PARTS								
-23	AN4-10A	BOLT -----							1	
-24	MS21042L4	NUT -----							1	
		-----*								
-25	MS24665-134	PIN-COTTER 182 ONLY -----							1	
	MS24665-285	PIN-COTTER T182 ONLY -----							1	
-26	0760667-2	CHAIN ASSEMBLY -----							1	
	0760707-1	CHAIN ASSEMBLY -----							1	
-27	0760671-1	GUARD -----							1	
		ATTACHING PARTS								
-28	AN3-3A	BOLT -----							1	
-29	AN735-9	CLAMP -----							1	
	AN735-10	CLAMP -----							1	
-30	MS21044N3	NUT -----							1	
	0760128-1	STOP -----							1	
		-----*								
-31	MS24665-143	PIN-COTTER -----							1	
-32	NAS428H3-6	BOLT-RUDDER STOP -----							2	
-33	AN315-3R	NUT-RUDDER STOP -----							2	
-34	SEE FIG 155	CONSOLE INSTALLATION 182 ONLY -----							NP	
	SEE FIG 156	CONSOLE INSTALLATION T182 ONLY -----							NP	
	SEE FIG 156A	CONSOLE INSTALLATION T182 ONLY -----							NP	
-35	SEE FIG 155	SPROCKET-IDLER -----							1	
-36	S2295A25-130	CHAIN ASSY -----							1	
	S2294-25	LINK-CONNECTING -----							1	
	S2294-125	LINK-OFFSET -----							1	
		-----*								
		A---182 SERIAL 18262466 & ON F182 SERIAL F18200001 THRU F18200169 T182 SERIAL 18267716 & ON B---182 SERIAL 18262466 & ON T182 SERIAL 18267716 & ON C---F182 SERIAL F18200001 THRU F18200169 D---182 SERIAL 18262466 & ON F182 SERIAL F18200001 THRU F18200169 E---T182 SERIAL 18267716 THRU 18268055 F---T182 SERIAL 18268056 & ON								

# 182 & T182 Parts Catalog

## Pitot System



### DUAL ALTIMETER INSTALLATION

**Detail B**  
**182 SERIAL 18262466 & ON**  
**F182 SERIAL F18200001 THRU F18200169**  
**T182 SERIAL 18267716 & ON**

Figure 166. Pitot System

# 182 & T182 Parts Catalog

FIGURE AND INDEX NO.	PART NUMBER	DESCRIPTION							UNITS PER ASSY	USABLE ON CODE
		1	2	3	4	5	6	7		
166 -		PITOT SYSTEM -----							NP	A
- 1		INDICATOR-AIRSPEED SEE INSTRUMENT PANEL -----							1	
	AN515B6R12	ATTACHING PARTS -----							4	
		SCREW -----							4	
		-----*								
- 2		ALTIMETER SEE INSTRUMENT PANEL -----							1	
	AN515B6R12	ATTACHING PARTS -----							3	
		SCREW -----							3	
		-----*								
- 3		INDICATOR-VERTICAL SPEED SEE INSTRUMENT PANEL -----							1	
	AN515B6R12	ATTACHING PARTS -----							3	
		SCREW -----							3	
		-----*								
- 4	S1071-1	TUBE-POLYETHYLENE	8.00	IN	LG	BKI	REF S1071-1-8.00	1		
- 5	S1071-1	TUBE-POLYETHYLENE	2.50	IN	LG	BKI	REF S1071-1-2.50	1		
	S1071-1	TUBE-POLYETHYLENE	62.00	IN	LG	BKI	REF S1071-1-62.00	1		
- 6	S1071-1	TUBE-POLYETHYLENE	58.00	IN	LG	BKI	REF S1071-1-58.00	1		
- 7	S1071-1	TUBE-POLYETHYLENE	48.00	IN	LG	BKI	REF S1071-1-48.00	1		
- 8	S1071-1	TUBE-POLYETHYLENE	16.00	IN	LG	BKI	REF S1071-1-16.00	1		
- 9	S1133-1	CONNECTOR -----							1	
-10	S1139-1	TEE -----							2	
-11	S1130-1	NUT TUBE END FITTING -----							10	
	S1131-1	INSERT TUBE END FITTING -----							10	
	S1138-1	TEE -----							1	
-12	S1258-1	SUMP-STATIC SOURCE -----							2	
-13	S2043-1	SUMP-STATIC SOURCE -----							2	J K
		ATTACHING PARTS -----								
-14	AN916-1D	ELBOW -----							1	
-15	AN911-1D	NIPPLE -----							1	
		-----*								
-16	S1071-1	TUBE-POLYETHYLENE	63.7	IN	LG	BKI	REF S1071-1-63.7	1		
		ATTACHING PARTS -----								
-17	S1132-1	UNION -----							1	
-18	AN742D4	CLAMP -----							3	
	NAS395-16-3	NUT -----							3	
	S1021Z8-8	SCREW -----							3	
		-----*								
-19	S1130-1	NUT -----							2	
	S1131-1	INSERT -----							2	
-20	0721115-1	CONNECTOR ASSY-PITOT TUBE -----							1	
-21	0721114-2	DOUBLER -----							1	
-22	0721105-14	TUBE ASSY-PITOT -----							1	
	0721105-15	TUBE ASSY-PITOT					HEATED	-----	1	
	0721105-18	TUBE ASSY-PITOT					HEATED	-----	1	C D E F
	0721105-57	TUBE ASSY-PITOT					T182 ONLY	-----	1	
	0721105-58	TUBE ASSY-PITOT					HEATED T182 ONLY	-----	1	
		ATTACHING PARTS -----								
-23	AN507-640R4	SCREW -----							4	
		-----*								
-24	0721105-13	BODY-PITOT TUBE -----							1	
	0721105-56	BODY-PITOT TUBE T182 ONLY -----							1	E
	S1133-2	CONNECTOR-NYLON -----							1	
-25	0721105-3	TUBE-PITOT -----							1	
-26	0721105-4	NOSE FITTING-PITOT TUBE -----							1	
-27	0721105-8	STEM-PITOT TUBE -----							1	
-28	0721105-5	HEATER ASSY-PITOT -----							1	
	0721105-9	HEATER ASSY-PITOT -----							1	C F
-29	S2160-1	SWITCH-PITOT HEATER -----							1	
		DUAL ALTIMETER INSTALLATION -----							NP	
-30		ALTIMETER SEE INSTRUMENT PANEL -----							1	
-31	S1071-1	TUBE-POLYETHYLENE	#	IN	LG	BKI	REF S1071-1-#	1		
-32	S1071-1	TUBE-POLYETHYLENE	#	IN	LG	BKI	REF S1071-1-#	1		
-33	S1130-1	NUT -----							2	
	S1131-1	INSERT -----							2	
-34	S1138-1	TEE USED WITH STD STATIC SOURCE -----							1	
	S1135-1	ELBOW USED WITH ALT STATIC SOURCE -----							1	

CONTINUED ON NEXT PAGE

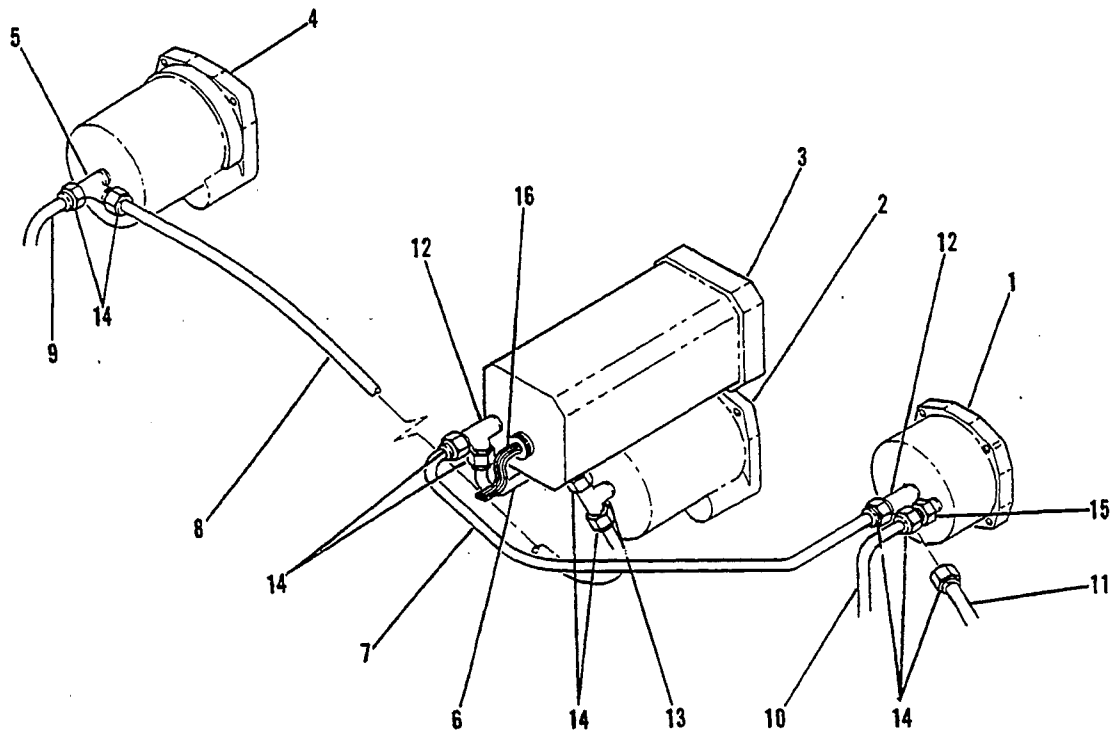
# 182 & T182 Parts Catalog

FIGURE AND INDEX NO.	PART NUMBER	DESCRIPTION							UNITS PER ASSY	USABLE ON CODE
		1	2	3	4	5	6	7		
166 -35		STATIC SOURCE INSTALLATION-ALTERNATE -----							NP	
-36	2013142-1	VALVE-ALTERNATE STATIC SOURCE WEU 2013142-13 -----							1	
	2013142-13	VALVE-ALTERNATE STATIC SOURCE -----							1	
		ATTACHING PARTS								
-37	AN507-832R7	SCREW -----							2	
	MS21044N08	NUT -----							2	
		*-----								
-38	S1981-5	KNOB ASSY -----							1	
-39	0701028-2	BRACKET -----							1	
		ATTACHING PARTS								
	AN515-8R6	SCREW -----							2	
	NAS679A08	NUT -----							2	
		*-----								
-39A	1213752-1	KNEE BUMPER -----							1	B
-40	S2071-1	ELBOW -----							1	G
-41	S1137-1	TEE -----							1	
-42	S1071-1	TUBE-POLYETHYLENE #IN LG BKI REF S1071-1-# -----							1	
-43	S1071-1	TUBE-POLYETHYLENE #IN LG BKI REF S1071-1-# -----							1	
-44	S1071-1	TUBE-POLYETHYLENE #IN LG BKI REF S1071-1-# -----							1	
-45	S1071-1	TUBE-POLYETHYLENE 6.0 IN LG BKI REF S1071-1-6.0 -----							1	G
-46	S1071-1	TUBE-POLYETHYLENE #IN LG BKI REF S1071-1-# -----							1	
-47	S1130-1	NUT -----							10	G
	S1130-1	NUT -----							9	H
-48	S1131-1	INSERT -----							10	H
	S1131-1	INSERT -----							9	H
<p>NOTE. *USED ONLY ON AIRCRAFT WITH VERTICAL SPEED INDICATOR INSTALLED.</p> <p>NOTE. **USED ONLY ON AIRCRAFT THAT DO NOT HAVE VERTICAL SPEED INDICATOR INSTALLED.</p> <p>NOTE. #TUBE LENGTHS TO BE ADDED LATER</p> <p>A---182 SERIAL 18262466 &amp; ON F182 SERIAL F18200001 THRU F18200169 T182 SERIAL 18267716 &amp; ON</p> <p>B---182 SERIAL 18263357 &amp; ON F182 SERIAL F18200001 THRU F18200169 T182 SERIAL 18267716 &amp; ON</p> <p>C---182 SERIAL 18262466 THRU 18265965 F182 SERIAL F18200001 THRU F18200064</p> <p>D---182 SERIAL 18265966 &amp; ON F182 SERIAL F18200065 THRU F18200169</p> <p>E---T182 SERIAL 18267716 &amp; ON</p> <p>F---182 SERIAL 18265966 &amp; ON F182 SERIAL F18200065 THRU F18200169 T182 SERIAL 18267716 &amp; ON</p> <p>G---182 SERIAL 18262466 THRU 18267883 T182 SERIAL 18267716 THRU 18267883</p> <p>H---182 &amp; T182 SERIAL 18267884 &amp; ON</p> <p>J---182 SERIAL 18262466 THRU 18268489 F182 SERIAL F18200001 THRU F18200169 T182 SERIAL 18267716 THRU 18268489</p> <p>K---182 &amp; T182 SERIAL 18268490 &amp; ON</p>										



# 182 & T182 Parts Catalog

## Encoding Altimeter



**182 SERIAL 18263476 & ON**  
**T182 SERIAL 18267716 & ON**  
**F182 SERIAL F1820001 THRU F18200169**

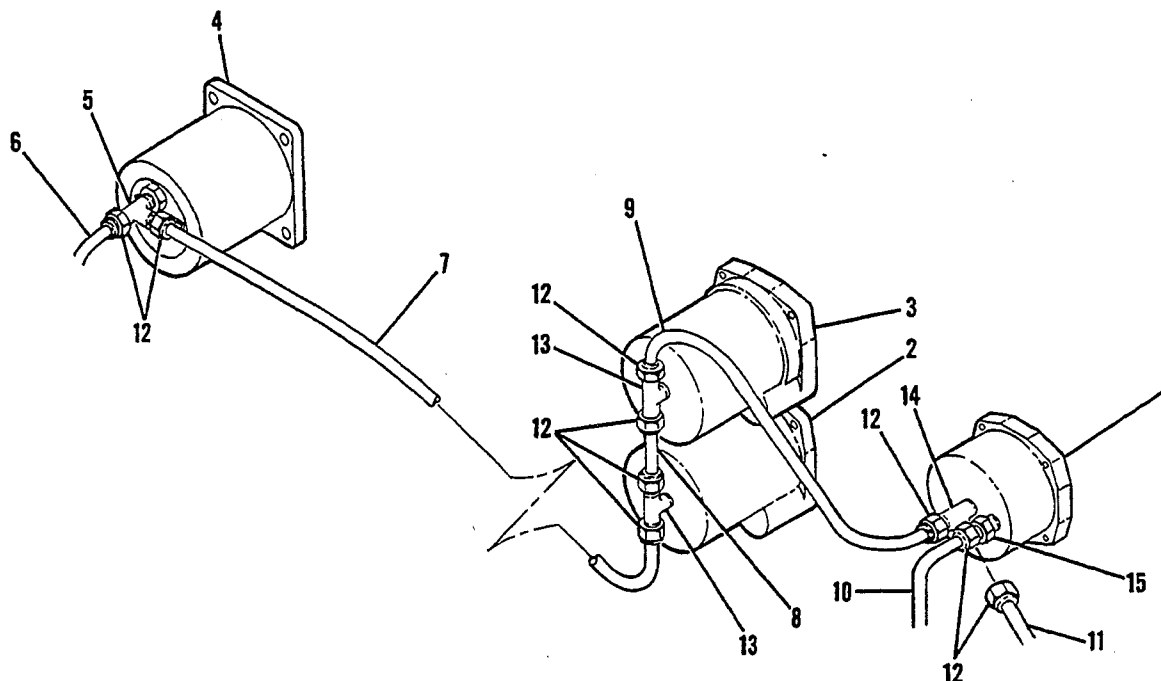
Figure 167. Encoding Altimeter Installation

# 182 & T182 Parts Catalog

FIGURE AND INDEX NO.	PART NUMBER	DESCRIPTION							UNITS PER ASSY	USABLE ON CODE
		1	2	3	4	5	6	7		
167		ENCODING ALTIMETER INSTALLATION -----							NP	A
- 1		INDICATOR-AIRSPEED SEE INSTRUMENT PANEL -----							1	
- 2		INDICATOR-VERTICAL SPEED SEE INSTRUMENT PANEL -----							1	
- 3	42540-3114	ALTIMETER-ENCODING FT & INCHES 12 VOLT -----							1	B
	42540-3128	ALTIMETER-ENCODING FT & INCHES 24 VOLT -----							1	C
	42540-3214	ALTIMETER-ENCODING FT & MILLIBARS 12 VOLT -----							1	B
	42540-3228	ALTIMETER-ENCODING FT & MILLIBARS 28 VOLT -----							1	C
		ATTACHING PARTS -----								
	AN515B6R7	SCREW -----							3	
	AN936A416B	WASHER -----							3	
		-----*								
- 4	C661071-0101	ALTIMETER 20,000 FT FT & INCHES -----							1	
	C661071-0102	ALTIMETER 20,000 FT FT & MILLIBARS -----							1	
		ATTACHING PARTS -----								
	AN515B6R16	SCREW -----							3	
		-----*								
- 5	S1138-1	TEE USED WITH STD STATIC SOURCE -----							1	
	S1135-1	ELBOW USED WITH ALT STATIC SOURCE -----							1	
- 6	S1071-1	TUBE-POLYETHYLENE # IN LG BKI REF S1071-1-# -----							1	
- 7	S1071-1	TUBE-POLYETHYLENE # IN LG BKI REF S1071-1-# -----							1	
- 8	S1071-1	TUBE-POLYETHYLENE # IN LG BKI REF S1071-1-# -----							1	
- 9	S1071-1	TUBE-POLYETHYLENE # IN LG BKI REF S1071-1-# -----							1	
- 10	S1071-1	TUBE-POLYETHYLENE 48.00 IN LG BKI REF S1071-1-48.00 -----							1	
- 11	S1071-1	TUBE-POLYETHYLENE 16.00 IN LG BKI REF S1071-1-16.00 -----							1	
- 12	S1139-1	TEE -----							2	
- 13	S1138-1	TEE -----							1	
- 14	S1130-1	NUT -----							10	
	S1131-1	INSERT -----							10	
- 15	S1133-1	CONNECTOR -----							1	
- 16		CABLE ASSY SEE CESSNA AVIONICS SERVICE/PARTS MANUAL -----							1	
<p>NOTE. #LENGTH TO BE DETERMINED LATER</p> <p>A---182 SERIAL 18263476 &amp; ON            F182 SERIAL F15200001 THRU F18200169            T182 SERIAL 18267716 &amp; ON</p> <p>B---182 SERIAL 18263476 THRU 18265965            F182 SERIAL F18200001 THRU F18200064</p> <p>C---182 SERIAL 18265966 &amp; ON            F182 SERIAL F18200065 THRU F18200169            T182 SERIAL 18267716 &amp; ON</p>										

# 182 & T182 Parts Catalog

Blind Encoder



**182 SERIAL 18265176 & ON  
T182 SERIAL 18267716 & ON  
F182 SERIAL F1820026 THRU F18200169**

Figure 168. Blind Encoder Installation

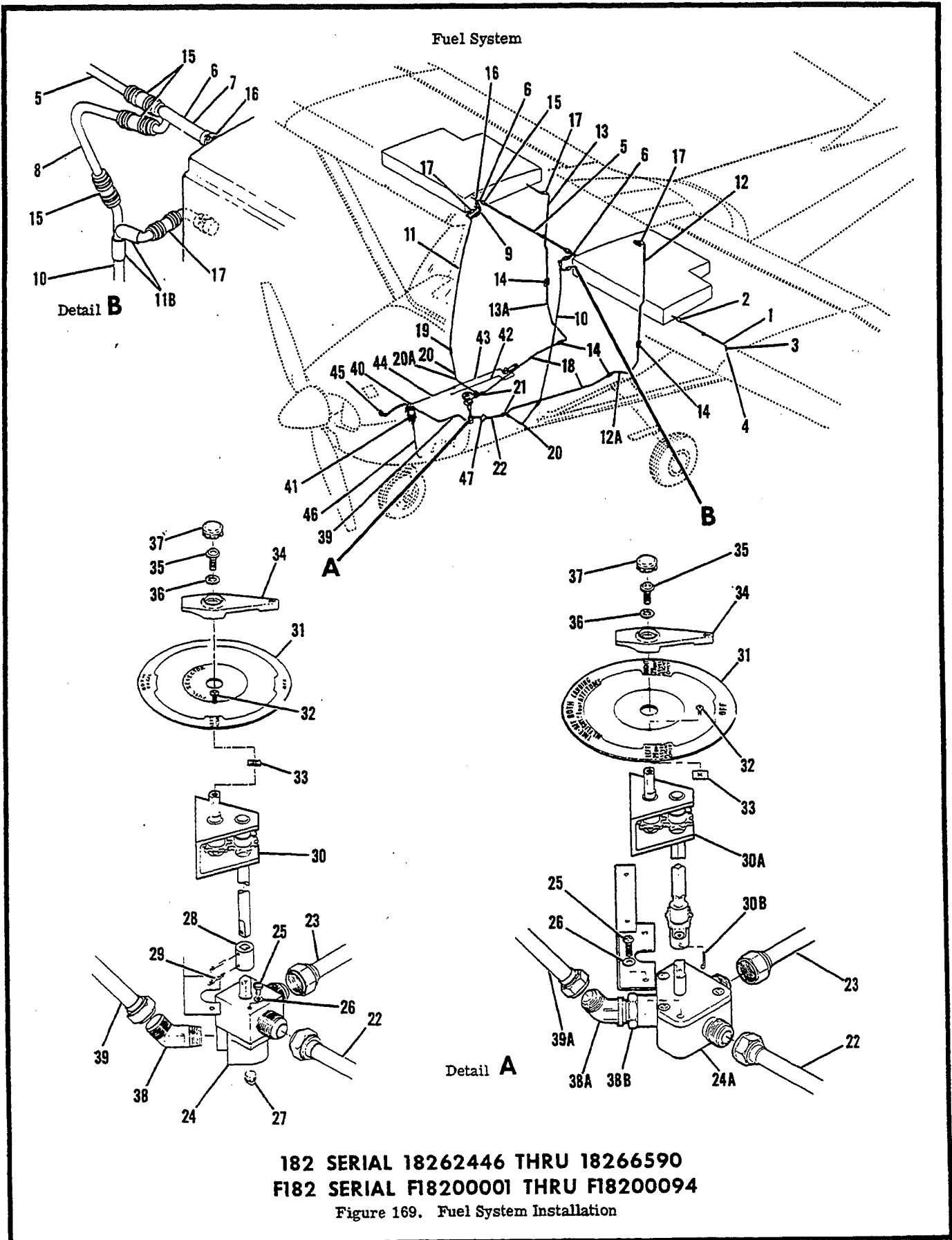
FIGURE AND INDEX NO.	PART NUMBER	DESCRIPTION	UNITS PER ASSY							USABLE ON CODE
			1	2	3	4	5	6	7	
168 -		BLIND ENCODER INSTALLATION -----							NP	A
- 1		INDICATOR-AIRSPED SEE INSTRUMENT PANEL -----							1	
- 2		INDICATOR-VERTICAL SPEED SEE INSTRUMENT PANEL -----							1	
- 3		ALTIMETER SEE INSTRUMENT PANEL -----							1	
- 4	C744001-0101	BLIND ENCODER -----							1	
		ATTACHING PARTS								
		SCREW -----							3	
	AN515B9R10	NUT -----							3	
	MS21044N08	-----*								
- 5	S1138-1	TEE -----							1	
- 6	S1071-1	TUBE-POLYETHYLENE 12.00 IN LG BKI REF S1071-1-12.00 -----							1	
- 7	S1071-1	TUBE-POLYETHYLENE 48.00 IN LG BKI REF S1071-1-48.00 -----							1	
- 8	S1071-1	TUBE-POLYETHYLENE -----							1	
- 9	S1071-1	TUBE-POLYETHYLENE -----							1	
- 10	S1071-1	TUBE-POLYETHYLENE 48.00 IN LG BKI REF S1071-1-48.00 -----							1	
- 11	S1071-1	TUBE-POLYETHYLENE 16.00 IN LG BKI REF S1071-1-16.00 -----							1	
- 12	S1130-1	NUT -----							10	
	S1131-1	INSERT -----							10	
- 13	S1138-1	TEE -----							2	
- 14	S1139-1	TEE -----							1	
- 15	S1131-1	CONNECTOR -----							1	
		CABLE ASSY SEE CESSNA AVIONICS SERVICE/PARTS MANUAL -----							1	
		A---182 SERIAL 18265176 & ON F182 SERIAL F1820026 THRU F18200169 T182 SERIAL 18267716 & ON								

# 182 & T182 Parts Catalog

FIGURE AND INDEX NO.	PART NUMBER	DESCRIPTION							UNITS PER ASSY	USABLE ON CODE
		1	2	3	4	5	6	7		
169 -		FUEL SYSTEM INSTALLATION -----							NP	A
- 1	0716127-1 1200106-51	LINE-FUEL TANK VENT -----							1	
		LINE-FUEL TANK VENT EXTENDED RANGE ONLY -----							1	
		ATTACHING PARTS								
- 2	S1495-8	HOSE 2.00 IN LG BULK ITEM REF S1495-8-2.00 -----							1	
	NAS397-14	CLAMP -----							2	
	AN737RM30	CLAMP -----							1	
- 3	S1486DG8U	CLAMP -----							2	
	S1021Z8-8	SCREW -----							2	
- 4	MS35489-4	GROMMET -----							2	
		-----*								
- 5	0700099-85	LINE ASSEMBLY-FUEL TANK VENT CARRY THRU -----							1	
- 6	0716616-1	LINE ASSEMBLY-FUEL TANK TO VENT CARRY THRU STD WING -----							2	
- 7	0716622-1	VENT ADAPTER ASSEMBLY EXTENDED RANGE ONLY -----							2	
- 8	0700099-46	FUEL LINE LH -----							1	
- 9	0700099-47	FUEL LINE RH -----							1	
-10	0716617-1	LINE ASSEMBLY-FUEL TANK TO UNION FORWARD LH -----							1	
	0716617-7	LINE ASSEMBLY-FUEL TANK TO UNION FORWARD LH -----							1	D
-11	0716617-2	LINE ASSEMBLY-FUEL TANK TO UNION FORWARD RH -----							1	E
	0716617-8	LINE ASSEMBLY-FUEL TANK TO UNION FORWARD RH -----							1	D
		ATTACHING PARTS								E
-11A	MS219219DG-8	CLAMP -----							1	
	AN509-8R14	SCREW -----							1	
	NAS43HT3-16	SPACER -----							1	
	NAS679A08	NUT -----							1	
		-----*								
-11B	S292-14	HOSE 2.00 IN LG BKI REF S292-14-2.00 -----							2	
-12	0700099-105	LINE ASSEMBLY-FUEL LH UPPER -----							1	
-12A	0700099-107	LINE ASSEMBLY-FUEL LH LOWER -----							1	
-13	0700099-104	LINE ASSEMBLY-FUEL RH UPPER -----							1	
-13A	0700099-106	LINE ASSEMBLY-FUEL RH LOWER -----							1	
		ATTACHING PARTS								
-14	AN815-8D	UNION -----							2	
	S51-8-10	HOSE -----							1	
	S2209-2	TIE -----							2	
	MS21919DG8	CLAMP -----							2	
	S1021Z8-8	SCREW -----							2	
		-----*								
-15	S1495-6	HOSE 3.00 IN LG BULK ITEM REF S1495-6-3.00 -----							6	
		ATTACHING PARTS								
	NAS397-12	CLAMP -----							2	
		-----*								
-16	S1891-10	CLAMP BC -----							2	
-17	S1495-8	HOSE 2.50 IN LG BULK ITEM REF S1495-8-2.50 -----							4	
		ATTACHING PARTS								
	S1891-10	CLAMP AFT FUEL TANK BC -----							2	
	NAS397-10	CLAMP FORWARD FUEL TANK -----							2	
		-----*								
-18	0700099-94	LINE ASSEMBLY-UNION TO TEE -----							2	
	MS35489-49	GROMMET -----							2	
-19	AN815-8D	UNION -----							2	
-20	0700099-21	LINE ASSEMBLY-UNION TO TEE FORWARD LH -----							2	
	0700099-113	LINE ASSEMBLY-UNION TO TEE FORWARD LH -----							1	D
-20A	0700099-110	LINE ASSEMBLY-UNION TO TEE FORWARD RH -----							1	E
-21	AN804D8	TEE -----							2	
	AN924-8D	NUT -----							2	
	AN960-1216L	WASHER FORWARD OF BULKHEAD -----							2	
	AN960-1216L	WASHER AFT OF BULKHEAD -----							2	

CONTINUED ON NEXT PAGE

# 182 & T182 Parts Catalog

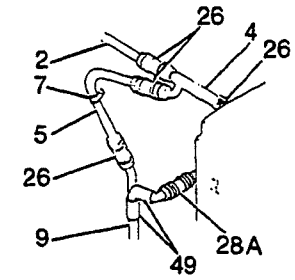
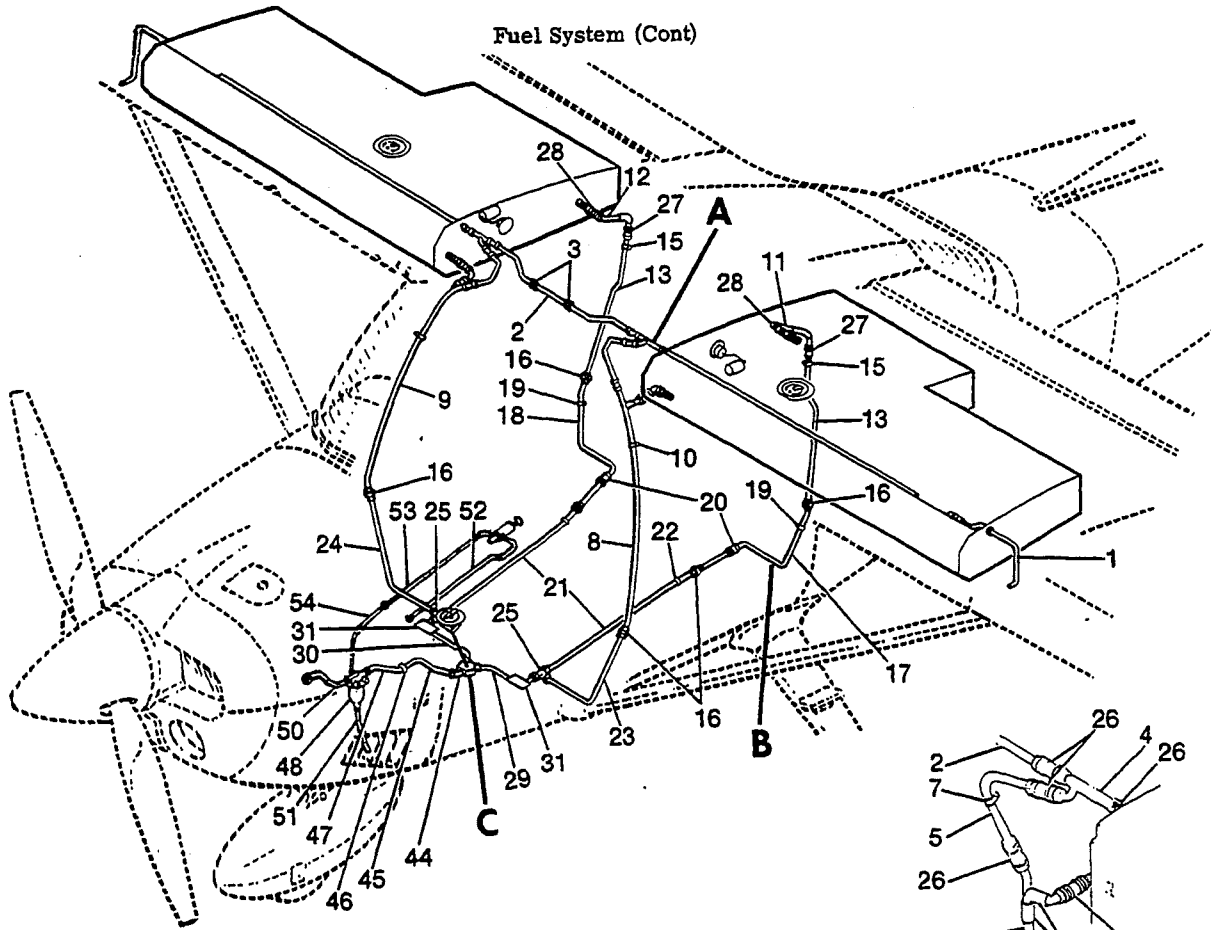


# 182 & T182 Parts Catalog

FIGURE AND INDEX NO.	PART NUMBER	DESCRIPTION	UNITS PER ASSY	USABLE ON CODE		
					1	2
169	-22	0700099-15	LINE ASSEMBLY TEE TO SELECTOR VALVE LH -----	1		
	-23	0700099-16	LINE ASSEMBLY TEE TO SELECTOR VALVE RH -----	1		
	-24	0716613-1	SELECTOR VALVE-FUEL -----	1	B	
		5037-1	SELECTOR VALVE-FUEL ALT -----	1	C	
	-24A	SEE FIG 170	SELECTOR VALVE-FUEL -----	1		
			ATTACHING PARTS			
	-25	AN500-10-10	SCREW -----	2		
	-26	AN935-10	WASHER -----	2		
			-----*			
		0716613-200	KIT-SPARE O-RING -----	1	B	
	-27	MS20913-1D	PLUG -----	1	B	
	-28	0716611-1	COUPLING-SELECTOR VALVE SHAFT -----	1	B	
			ATTACHING PARTS			
	-29	MS24665-134	COTTER PIN -----	2	B	
			-----*			
	-30	0716607-3	GEAR ASSEMBLY-SELECTOR VALVE -----	1	B	
	-30A	0716607-4	GEAR ASSEMBLY-SELECTOR VALVE -----	1	C	
			ATTACHING PARTS			
		AN520-10R8	SCREW -----	2		
		MS21044N3	NUT -----	2		
			-----*			
	-30B	MS24665-134	COTTER PIN -----	1	C	
	-31	0705048-25	PLACARD-FUEL SELECTOR -----	1		
		0705048-26	PLACARD-FUEL SELECTOR EXTENDED RANGE -----	1		
			ATTACHING PARTS			
	-32	S102174-4C	SCREW -----	2		
	-33	NAS446-1-3	NUT -----	2		
			-----*			
	-34	0716623-2	HANDLE-FUEL SELECTOR VALVE -----	1		
			ATTACHING PARTS			
	-35	AN525-832R6	SCREW -----	1		
	-36	AN936A8	WASHER -----	1		
			-----*			
	-37	0716624-1	CAP -----	1	B	
	-38	MS20823-8D	ELBOW -----	1	B	
	-38A	AN837-8D	ELBOW -----	1	C	
	-38B	AN924-8D	NUT -----	1	C	
		MS29512-08	PACKING -----	1	C	
	-39	0700099-34	LINE ASSY-SELECTOR VALVE TO FUEL STRAINER -----	1	C	
	-39A	0700099-108	LINE ASSY-SELECTOR VALVE TO FUEL STRAINER -----	1	C	
		MS35489-20	GROMMET -----	1		
	-40	MS20823-8D	ELBOW -----	1		
		S2384-1	WASHER -----	1		
		S354-3	GROMMET -----	1		
	-41	SEE FIG 88	STRAINER ASSY -----	1		
	-42	0700099-2	LINE ASSY-PRIMER -----	1		
	-43	0700099-3	LINE ASSY-PRIMER -----	1		
	-44	0700099-81	LINE ASSY-PRIMER FIREWALL TO STRAINER -----	1		
		AN816-2D	NIPPLE -----	1		
	-45	S1167-8-0150	HOSE ASSY-STRAINER TO ENGINE -----	1		
		MS20822-8D	ELBOW AT STRAINER -----	1		
		S2424-1	ELBOW AT CARBURETOR -----	1		
	-46	0700099-97	LINE ASSY-DRAIN -----	1		
	-47	0760026-1	GUARD-ELEVATOR CABLE -----	2		
			ATTACHING PARTS			
		AN742D8	CLAMP -----	2		
		AN525-10R7	SCREW -----	2		
		MS21044N3	NUT -----	2		
			-----*			
<p>A---182 SERIAL 18262466 THRU 18266590            B---182 SERIAL 18262466 THRU 18265175                  F182 SERIAL F18200001 THRU F18200025            C---182 SERIAL 18265176 THRU 18266590                  F182 SERIAL F18200026 THRU F18200094            D---182 SERIAL 18262466 THRU 18265965                  F182 SERIAL F18200001 THRU F18200064            E---182 SERIAL 18265966 THRU 18266590                  F182 SERIAL F18200065 THRU F18200094</p>						

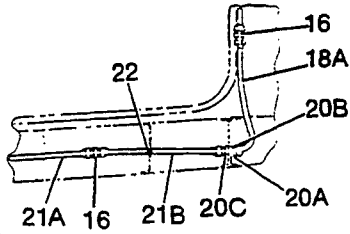
# 182 & T182 Parts Catalog

Fuel System (Cont)



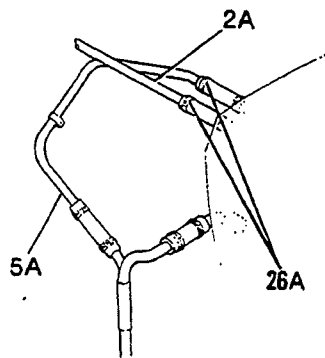
18266591 THRU 18267715  
F1820095 THRU F18200169

Detail A



18268255 & ON

Detail B



18267716 & ON

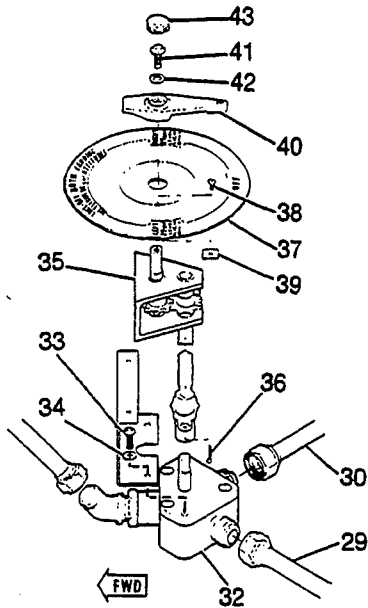
Detail A

182 SERIAL 18266591 & ON  
F182 SERIAL F1820095 THRU F18200169

Figure 170. (Sheet 1 of 2) Fuel System Installation

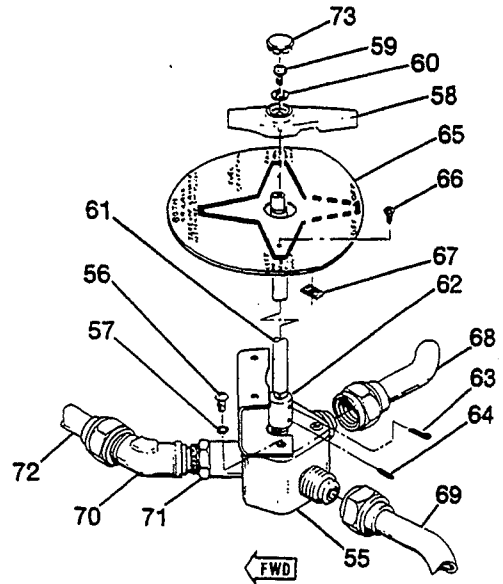
# 182 & T182 Parts Catalog

## Fuel System (Cont)



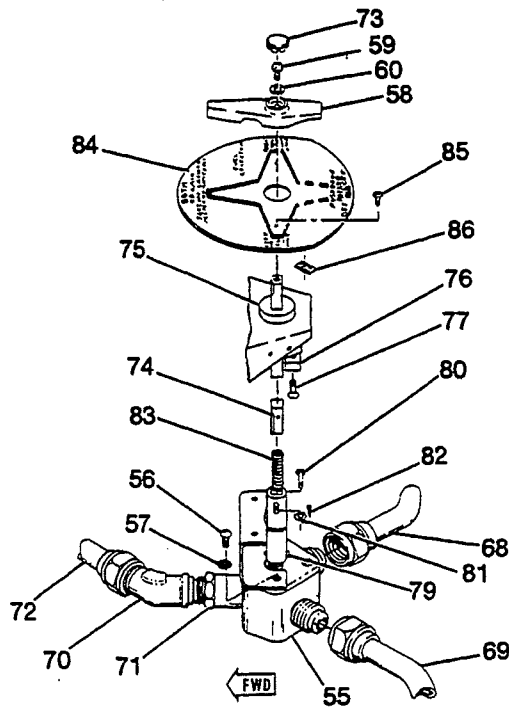
18266591 THRU 18268055

Detail **A**



18268056 THRU 18268434

Detail **A**



18268435 & ON.

Detail **A**

**182 SERIAL 18266591 & ON**  
**F182 SERIAL F1820095 THRU 18200169**

Figure 170. (Sheet 2 of 2) Fuel System Installation



# 182 & T182 Parts Catalog

FIGURE AND INDEX NO.	PART NUMBER	DESCRIPTION	UNITS PER ASSY	USABLE ON CODE
		1 2 3 4 5 6 7		
170 -		FUEL SYSTEM INSTALLATION -----	NP	A
- 1	SEE FIG 9	VENT LINE-INTEGRAL FUEL CELL -----	1	
- 2	0700099-114	LINE ASSY-FUEL TANK VENT CARRY THRU -----	1	B
- 2A	0700099-125	LINE ASSY-FUEL TANK VENT CARRY THRU -----	1	C
		ATTACHING PARTS		
- 3	MS21919DG6	CLAMP -----	2	
	S1021Z8-8C	SCREW -----	2	
	NAS446-4-3	NUT -----	2	
	0513399-1	BRACKET -----	2	
		*-----		
- 4	0716616-5	LINE ASSY-FUEL TANK TO VENT CARRY THRU -----	2	B
- 5	0700099-47	FUEL VENT LINE-LH -----	1	B
- 5A	0700099-126	FUEL VENT LINE-LH -----	1	C
- 6	0700099-46	FUEL VENT LINE-RH -----	1	
		ATTACHING PARTS		
- 7	AN742D6	CLAMP -----	1	
	AN515-8R8	SCREW -----	1	
	MS21045L08	NUT -----	1	
		*-----		
- 8	0716617-11	LINE ASSY-FUEL TANK TO UNION FWD-LH -----	1	
- 9	0716617-12	LINE ASSY-FUEL TANK TO UNION FWD-RH -----	1	
		ATTACHING PARTS		
-10	AN509-8R14	SCREW -----	1	
	MS21045L08	NUT -----	1	
	NAS43HT3-16	SPACER -----	1	
	MS21919DG8	CLAMP -----	1	
		*-----		
-11	0700099-119	LINE ASSY-FUEL UPPER-LH -----	1	
-12	0700099-120	LINE ASSY-FUEL UPPER-RH -----	1	
-13	0700099-121	LINE ASSY-FUEL UPPER 1 LH & 1 RH -----	2	
-14		DELETED NOT PROCURABLE -----		
		ATTACHING PARTS		
-15	MS21919DG8	CLAMP -----	1	
	S1020Z8-8	SCREW -----	1	
		*-----		
-16	AN815-8D	UNION -----	6	G
-17	0700099-107	LINE ASSY-FUEL LOWER-LH -----	1	G
-18	0700099-106	LINE ASSY-FUEL LOWER-RH -----	1	H
-18A	0700099-127	LINE ASSY-FUEL LOWER LH -----	1	H
	0700099-128	LINE ASSY-FUEL LOWER RH -----	1	H
		ATTACHING PARTS		
-19	MS21919DG8	CLAMP -----	1	
	S1021Z8-8	SCREW -----	1	
		*-----		
-20	S51-8	HOSE 2.50 IN LG BKI REF S-51-8-10 -----	2	G
		ATTACHING PARTS		
	S2209-2	TIE -----	2	G
		*-----		
-20A	AN837-8D	ELBOW 1 RH & 1 LH -----	2	H
		ATTACHING PARTS		
-20B	AN960-1216	WASHER -----	2	H
-20C	AN924-8D	NUT -----	2	H
		*-----		
-21	0700099-94	LINE ASSY-UNION TO TEE -----	2	G
-21A	0700099-130	LINE ASSY-FUEL UNION TO TEE 1 LH & 1 RH -----	2	H
-21B	0700099-129	LINE ASSY-FUEL UNION TO ELBOW 1 LH & 1 RH -----	2	H
-22	MS35489-49	GROMMET -----	2	
-23	0700099-113	LINE ASSY-UNION TO TEE FWD-LH -----	1	
-24	0700099-110	LINE ASSY-UNION TO TEE FWD-RH -----	1	
-25	AN804D8	TEE -----	2	
	AN924-8D	NUT -----	2	
	AN960-1216L	WASHER FWD OF BULKHEAD -----	2	
	AN960PD1216	WASHER AFT OF BULKHEAD -----	2	
-26	S1495-6	HOSE 3.00 IN LG BKI REF S1495-6-3.00 -----	AR	
	S1495-6	HOSE 4.00 IN LG BKI REF S1495-6-4.00 -----	2	
		ATTACHING PARTS		
	S2357-1	CLAMP -----	2	
		*-----		
-27	S1495-8	HOSE 3.00 IN LG BKI REF S1495-8-3.00 -----	2	
		ATTACHING PARTS		
	S2357-3	CLAMP -----	2	
		*-----		

CONTINUED ON NEXT PAGE

# 182 & T182 Parts Catalog

FIGURE AND INDEX NO.	PART NUMBER	DESCRIPTION	UNITS PER ASSY	USABLE ON CODE		
					1	2
170 -28	S1495-8	HOSE 3.50 IN LG BKI REF S1495-8-3.50 -----	2			
	S2357-3	ATTACHING PARTS CLAMP -----	2			
		*-----				
-28A	S1495-6	HOSE 3.00 IN LG BKI REF S1495-6-3.00 -----	2			
	S2357-3	ATTACHING PARTS CLAMP -----	2			
		*-----				
-29	0700099-15	LINE ASSY-FUEL SELECTOR VALVE TO TEE LH -----	1	D		
-30	0700099-16	LINE ASSY-FUEL SELECTOR VALVE TO TEE RH -----	1	D		
-31	0760026-1	GUARD -----	2			
		ATTACHING PARTS				
	AN525-10R7	SCREW -----	2			
	AN742D8	CLAMP -----	2			
	MS21044N3	NUT -----	2			
		*-----				
-32	SEE FIG 172	SELECTOR VALVE-FUEL -----	1			
		ATTACHING PARTS				
-33	AN520-10R8	SCREW -----	2			
-34	AN935-10	WASHER -----	2			
		*-----				
-35	0716607-4	GEAR ASSY-SELECTOR VALVE -----	1	B		
	0716174-1	GEAR ASSY-SELECTOR VALVE -----	1	F		
		ATTACHING PARTS				
	AN520-10R8	SCREW -----	2	D		
	MS21044N3	NUT -----	2	D		
		*-----				
-36	MS24665-134	COTTER PIN -----	1	D		
-37	0705048-25	PLACARD-FUEL SELECTOR -----	1	D		
		ATTACHING PARTS				
-38	S1021Z4-4C	SCREW -----	2	D		
-39	NAS446-1-3	NUT -----	2	D		
		*-----				
-40	0716623-2	HANDLE -----	1	D		
		ATTACHING PARTS				
-41	AN525-832R6	SCREW -----	1	D		
-42	AN936A8	WASHER -----	1	D		
		*-----				
-43	0716624-1	CAP -----	1	D		
-44	AN837-8D	ELBOW -----	1	D		
	AN924-8D	NUT -----	1	D		
	NAS1596-8	PACKING -----	1	D		
-45	0700099-108	LINE ASSY-SELECTOR VALVE TO FUEL STRAINER -----	1			
-46	MS35489-20	GROMMET -----	1			
-47	MS20823-8	ELBOW -----	1			
	S2384-1	SHIELD -----	1			
	S354-3	GROMMET -----	1			
-48	SEE FIG 174	FUEL STRAINER ASSY -----	AR 1			
-49	S292	SLEEVING -----	AR 1			
-50	S1167-8-0150	HOSE ASSY STRAINER TO ENGINE -----	1	G		
	S2495-8-170	HOSE ASSY STRAINER TO ENGINE -----	1	H		
	MS20822-8D	ELBOW AT STRAINER -----	1			
	S2424-1	ELBOW AT CARBURETOR -----	1			
-51	0700099-97	LINE ASSY-STRAINER DRAIN -----	1			
-52	0700099-2	LINE ASSY-PRIMER PRIMER TO FIREWALL -----	1			
-53	0700099-3	LINE ASSY-PRIMER PRIMER TO FIREWALL -----	1	L		
	0700099-101	LINE ASSY-PRIMER PRIMER TO FIREWALL -----	1	K		
-54	0700099-81	LINE ASSY-PRIMER FIREWALL TO STRAINER -----	1			
-55	SEE FIG 172A	SELECTOR VALVE-FUEL -----	1	E		
		ATTACHING PARTS				
-56	AN520-10R8	SCREW -----	2	E		
-57	AN935-10	WASHER -----	2	E		
		*-----				
-58	0716623-6	HANDLE -----	1	E		
		ATTACHING PARTS				
-59	AN525-832R6	SCREW -----	1	E		
-60	AN936-A8	WASHER -----	1	E		
		*-----				

CONTINUED ON NEXT PAGE

# 182 & T182 Parts Catalog

FIGURE AND INDEX NO.	PART NUMBER	DESCRIPTION							UNITS PER ASSY	USABLE ON CODE
		1	2	3	4	5	6	7		
170 -61	0716179-1	SHAFT -----							1	J
-62	0516023-3	FITTING -----							1	J
		ATTACHING PARTS								
-63	MS24665-134	COTTER PIN -----							1	J
-64	MS16562-15	PIN-ROLL -----							1	J
		*-----								
-65	0705093-2	PLACARD -----							1	J
		ATTACHING PARTS								
-66	S102174-6B	SCREW -----							2	J
-67	NAS446-1-3	NUT -----							2	J
		*-----								
-68	0700099-15	LINE ASSY-FUEL		SELECTOR VALVE TO TEE-LH			-----		1	E
-69	0700099-16	LINE ASSY-FUEL		SELECTOR VALVE TO TEE-RH			-----		1	E
-70	AN837-8D	ELBOW -----							1	E
-71	AN924-8D	NUT -----							1	E
	NAS1596-8	PACKING -----							1	E
-72	0700099-108	LINE ASSY-FUEL -----							1	E
-73	0716624-2	CAP -----							1	E
-74	0516024-1	SHAFT ASSY-FUEL SELECTOR -----							1	K
-75	0511195-1	GUIDE-FUEL SELECTOR SHAFT -----							1	K
		ATTACHING PARTS								
	MS16624-50	LOCK RING -----							1	K
		*-----								
-76	0516025-1	STOP BLOCK-FUEL SELECTOR -----							1	K
		ATTACHING PARTS								
-77	AN507-632R8	SCREW -----							2	K
		*-----								
-78	2216009-1	FITTING ASSY-FUEL SELECTOR -----							1	K
		ATTACHING PARTS								
-79	0516026-1	PIN -----							1	K
	MS24665-1	COTTER PIN -----							1	K
		*-----								
-80	0516026-1	PIN -----							1	K
-81	AN960-3L	WASHER -----							1	K
-82	MS24665-1	COTTER PIN -----							1	K
-83	1517105-1	SPRING -----							1	K
-84	0705093-3	PLACARD -----							1	K
		ATTACHING PARTS								
-85	S102174-6B	SCREW -----							2	K
-86	NAS446-1-3	NUT -----							2	K
		*-----								
<p>A---182 SERIAL 18266591 &amp; ON            F182 SERIAL F18200095 THRU F18200169            B---182 SERIAL 18266591 THRU 18267715            F182 SERIAL F18200095 THRU F18200169            C---182 SERIAL 18267716 &amp; ON            D---182 SERIAL 18266591 THRU 18268055            F182 SERIAL F18200095 THRU 18200169            E---182 SERIAL 18268056 &amp; ON            F---182 SERIAL 18267716 THRU 18268055            G---182 SERIAL 18266591 THRU 18268254            H---182 SERIAL 18268255 &amp; ON            J---182 SERIAL 18268056 THRU 18268434            K---182 SERIAL 18268435 &amp; ON            L---182 SERIAL 18266591 THRU 18268434</p>										

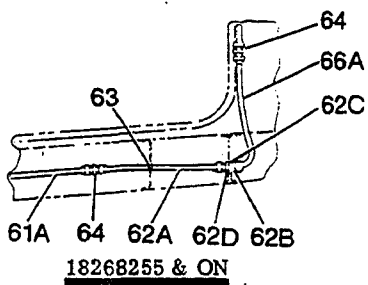
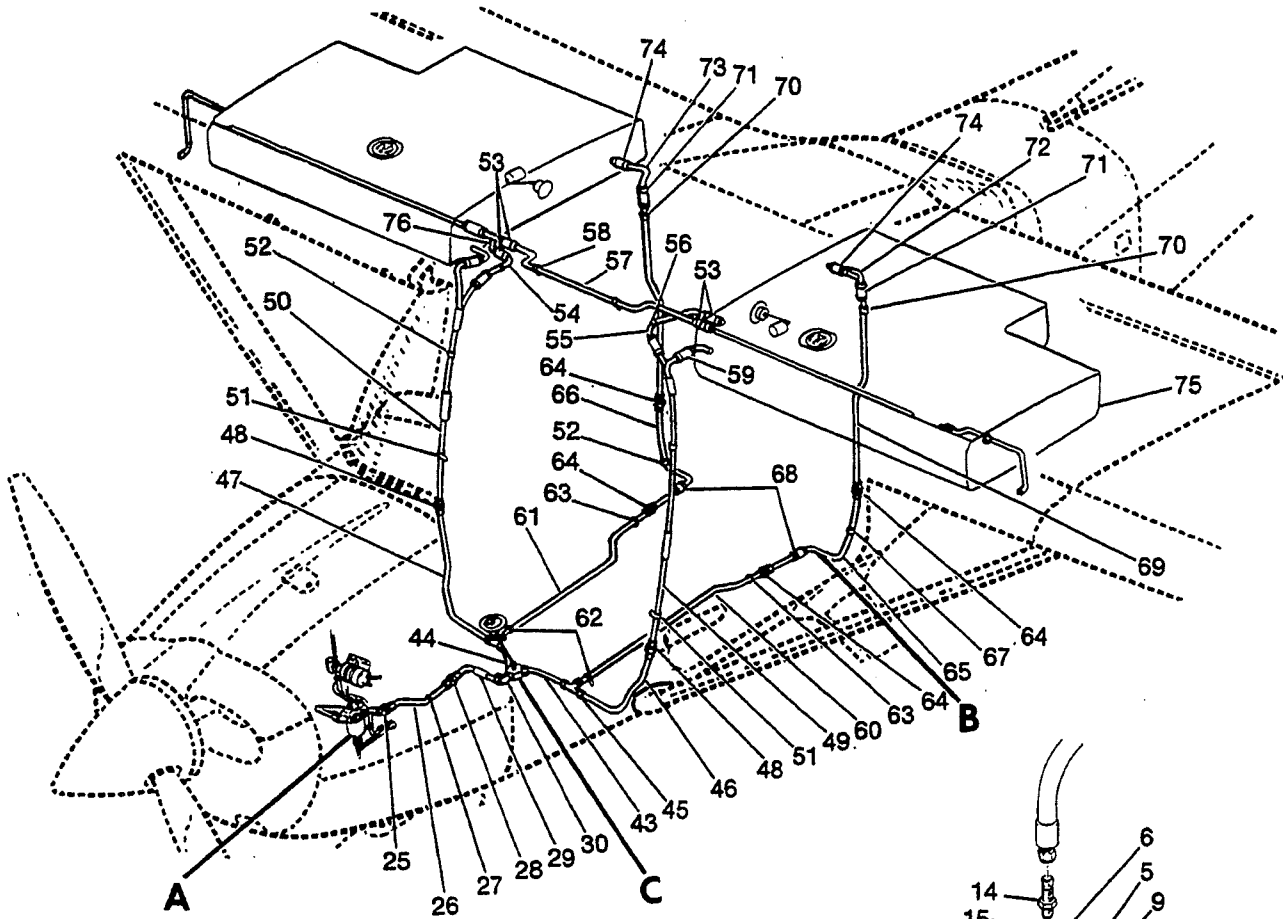
# 182 & T182 Parts Catalog

FIGURE AND INDEX NO.	PART NUMBER	DESCRIPTION	UNITS PER ASSY	USABLE ON CODE		
					1	2
171 -		FUEL SYSTEM INSTALLATION -----	NP	A		
- 1	SEE FIG 174	FUEL STRAINER & DRAIN CONTROL INSTL -----	1			
	SEE FIG 176	FUEL PRIMER SYSTEM -----	1			
- 2	2200001-33	TUBE ASSY-DRAIN -----	1			
		ATTACHING PARTS -----				
- 3	MS21919DG3	CLAMP ATTACH WITH EXISTING SCREW IN STRUCTURE -----	1			
		-----*				
- 4	C291504-0202	FUEL PUMP -----	1			
		ATTACHING PARTS -----				
- 5	AN735-D40	CLAMP -----	2			
- 6	AN520-10R8	SCREW -----	2			
- 7	AN960-10L	WASHER -----	2			
- 8	MS20365-1032C	NUT -----	2			
		-----*				
- 9	1426026-1	BRACKET-FUEL PUMP MOUNTING -----	1			
		ATTACHING PARTS -----				
-10	AN520-10R8	SCREW -----	4			
-11	AN960-10	WASHER -----	4			
		-----*				
-12	MS20822-8D	ELBOW -----	1			
-13	2200001-35	LINE ASSY-FUEL -----	1			
-14	AN832-6D	UNION -----	2			
-15	AN924-6D	NUT -----	2			
-16	NAS1596-6	PACKING -----	2			
-17	S1129-6-104	HOSE ASSY-FUEL -----	1	B		
	S2495-6-106	HOSE ASSY-FUEL -----	1	C		
-18	MS20822-6-6D	ELBOW -----	1			
-19	S2510-1	NIPPLE -----	1			
-20	2200001-62	LINE ASSY-FUEL PUMP DRAIN -----	1			
		ATTACHING PARTS -----				
-21	MS21919DG3	CLAMP -----	2			
-22	AN734-12	BRACKET -----	1			
-23	AN520-10R8	SCREW -----	1			
-24	MS20365-1032C	NUT -----	1			
		-----*				
-25	AN837-8	ELBOW -----	1			
	AN924-8	NUT -----	1			
	AN960-1216	WASHER -----	1			
-26	2200001-1	LINE ASSY-FUEL -----	1			
-27	MS35489-20	GROMMET -----	1			
-28	AN815-8D	UNION -----	1			
-29	2200001-2	LINE ASSY-FUEL -----	1	B		
-30	AN922-8D	ELBOW -----	1	B		
-31	SEE FIG 172	SELECTOR VALVE-FUEL -----	1	B		
		ATTACHING PARTS -----				
-32	AN520-10R8	SCREW -----	2	B		
-33	AN935-10	WASHER -----	2	B		
		-----*				
-34	MS24665-134	PIN-COTTER -----	1	B		
-35	0716635-1	GEAR ASSY -----	1	B		
		ATTACHING PARTS -----				
	AN520-10R8	SCREW -----	2	B		
	MS21044N3	NUT -----	2	B		
		-----*				
-36	0705048-32	PLACARD-FUEL SELECTOR -----	1	B		
		ATTACHING PARTS -----				
-37	S1021Z4-4C	SCREW -----	2	B		
-38	NAS446-1-3	NUT -----	2	B		
		-----*				
-39	0716623-2	HANDLE -----	1	B		
		ATTACHING PARTS -----				
-40	AN525-832R6	SCREW -----	1	B		
-41	AN936A6	WASHER -----	1	B		
		-----*				
-42	0716624-1	CAP -----	1	B		
-43	2200001-64	LINE ASSY-FUEL SELECTOR VALVE TO TEE LH -----	1	B		
-44	2200001-3	LINE ASSY-FUEL SELECTOR VALVE TO TEE RH -----	1	B		
-45	AN824-8D	TEE -----	2			
-46	2200001-5	LINE ASSY-FUEL LWR LH VERTICAL FWD -----	1			
-47	2200001-66	LINE ASSY-FUEL LWR RH VERTICAL FWD -----	1			
-48	AN815-8D	UNION -----	2			

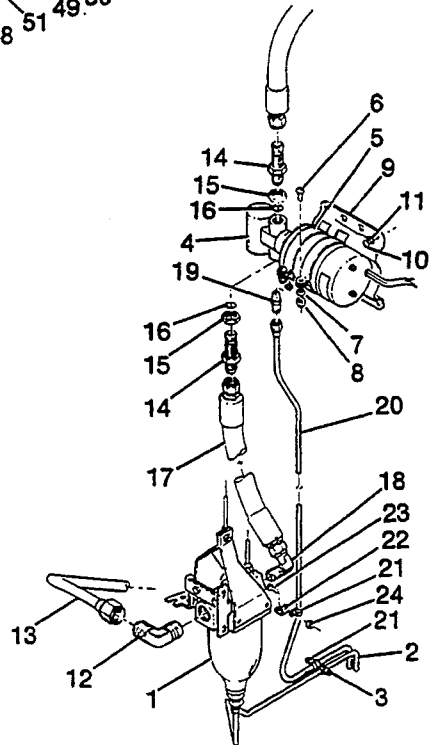
CONTINUED ON NEXT PAGE

# 182 & T182 Parts Catalog

## Fuel System (Cont)



Detail B



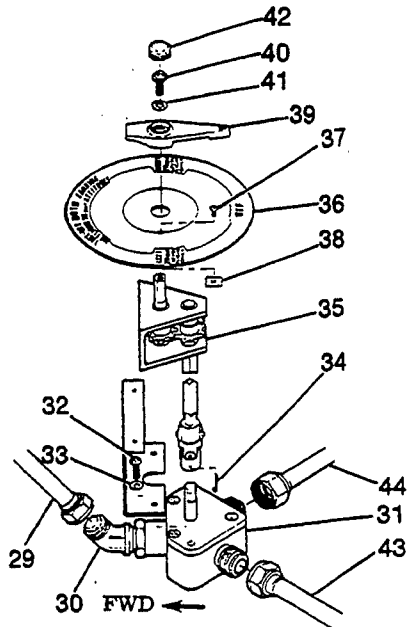
Detail A

### T182 SERIAL 18267746 & ON

Figure 171. (Sheet 1 of 2) Fuel System Installation.

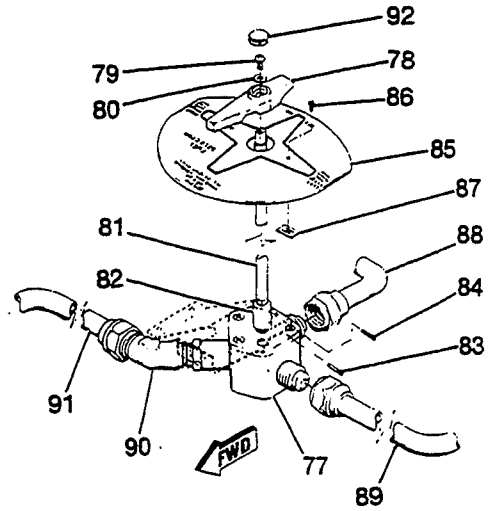
# 182 & T182 Parts Catalog

## Fuel System (Cont)



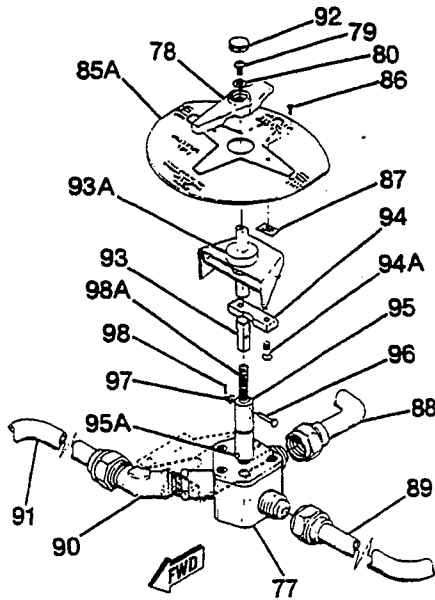
18267716 THRU 18268055

Detail C



18268056 THRU 18268434

Detail C



18268435 & ON

Detail C

### T182 SERIAL 18267716 & ON

Figure 171. (Sheet 2 of 2) Fuel System Installation.

# 182 & T182 Parts Catalog

FIGURE AND INDEX NO.	PART NUMBER	DESCRIPTION							UNITS PER ASSY	USABLE ON CODE
		1	2	3	4	5	6	7		
171 -49	0716617-11	LINE ASSY-FUEL UPR LH VERTICAL FWD -----							1	
-50	0716617-12	LINE ASSY-FUEL UPR RH VERTICAL FWD -----							1	
		ATTACHING PARTS								
-51	MS21919D68	CLAMP -----							1	
	S1021Z8-8	SCREW -----							1	
	NAS395-11-3	NUT -----							1	
-52	MS21919D68	CLAMP -----							1	
	NAS43HT3-16	SPACER -----							1	
	AN509-8R14	SCREW -----							1	
	MS21045L08	NUT -----							1	
		*-----								
-53	S1495-6	HOSE	3.00 IN LG	BKI	REF S1495-6-3.00	-----		5		
	S1495-6	HOSE	4.00 IN LG	BKI	REF S1495-6-4.00	-----		2		
		ATTACHING PARTS								
	S2357-1	CLAMP -----							2	
		*-----								
-54	0700099-126	LINE-FUEL VENT -----							1	
-55	0700099-46	LINE-FUEL VENT -----							1	
		ATTACHING PARTS								
-56	AN742D6	CLAMP -----							1	
	AN515-8R8	SCREW -----							1	
	MS21045L08	NUT -----							1	
		*-----								
-57	0700099-125	LINE-FUEL VENT -----							1	
		ATTACHING PARTS								
-58	0513399-1	BRACKET -----							2	
	MS21919D66	CLAMP -----							2	
	S1021Z8-8C	SCREW -----							2	
	NAS446-4-3	NUT -----							2	
		*-----								
-59	S1495-8	HOSE	2.50 IN LG	BKI	REF S1495-8-2.50	-----		2		
	S1891-10	CLAMP -----							2	
		*-----								
-60	0700099-123	LINE ASSY-FUEL LH -----							1	D D E E
-61	0700099-124	LINE ASSY-FUEL RH -----							1	
-61A	0700099-133	LINE ASSY-FUEL	UNION TO TEE	LH	-----		1			
	0700099-132	LINE ASSY-FUEL	UNION TO TEE	RH	-----		1			
		ATTACHING PARTS								
-62	S2034-1	MOUNT -----							1	
	S2209-1	STA-STRAP -----							1	
	S1021Z6-6	SCREW -----							1	
		*-----								
-62A	0700099-131	LINE ASSY-FUEL	UNION TO ELBOW	1 LH & 1 RH	-----		2	E E		
-62B	AN837-8D	ELBOW	1 RH & 1 LH	-----		2				
		ATTACHING PARTS								
-62C	AN960-1216	WASHER -----							1	E E
-62D	AN924-8D	NUT -----							1	
		*-----								
-63	MS35489-49	GROMMET -----							2	D D E E
-64	AN815-8D	UNION -----							4	
-65	0700099-107	LINE ASSY-FUEL LOWER LH VERTICAL AFT -----							1	
-66	0700099-106	LINE ASSY-FUEL LOWER RH VERTICAL AFT -----							1	
-66A	0700099-127	LINE ASSY-FUEL	LOWER VERTICAL AFT	LH	-----		1			
	0700099-128	LINE ASSY-FUEL	LOWER VERTICAL AFT	RH	-----		1			
		ATTACHING PARTS								
-67	MS21919D68	CLAMP -----							1	
	S1021Z8-8	SCREW -----							1	
		*-----								
-68	S51-8-10	HOSE -----							2	
		ATTACHING PARTS								
	S2209-2	STA-STRAP -----							2	
		*-----								
-69	0700099-121	LINE ASSY-FUEL UPPER VERTICAL AFT -----							2	
		ATTACHING PARTS								
-70	MS21919D68	CLAMP -----							1	
	S1021Z8-8	SCREW -----							1	
		*-----								
-71	S1495-8	HOSE	3.00 IN LG	BKI	REF S1495-8-3.00	-----		2		
	S2357-3	CLAMP -----							2	
		*-----								

CONTINUED ON NEXT PAGE

# 182 & T182 Parts Catalog

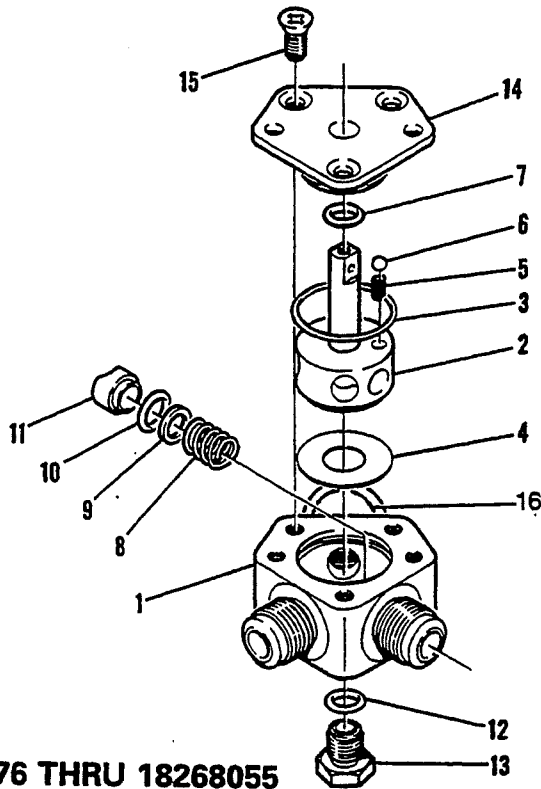
FIGURE AND INDEX NO.	PART NUMBER	DESCRIPTION							UNITS PER ASSY	USABLE ON CODE
		1	2	3	4	5	6	7		
171 -72	0700099-119	LINE ASSY-FUEL	LH	-----	-----	-----	-----	-----	1	
-73	0700099-120	LINE ASSY-FUEL	RH	-----	-----	-----	-----	-----	1	
-74	S1495-8	HOSE	2.50 IN LG	BK	REF S1495-8-2.50	-----	-----	-----	2	
	S2357-3	ATTACHING PARTS								
		CLAMP	-----	-----	-----	-----	-----	-----	2	
		-----*								
-75	SEE FIG 9	INTEGRAL FUEL CELL INSTALLATION	-----	-----	-----	-----	-----	-----	NP	
-76	0716616-5	LINE ASSY-RH	-----	-----	-----	-----	-----	-----	1	C
-77	SEE FIG 172A	SELECTOR VALVE-FUEL	-----	-----	-----	-----	-----	-----	1	C
		ATTACHING PARTS								
	AN520-10R8	SCREW	-----	-----	-----	-----	-----	-----	2	C
	AN935-10	WASHER	-----	-----	-----	-----	-----	-----	2	C
		-----*								
-78	0716623-6	HANDLE	-----	-----	-----	-----	-----	-----	1	C
		ATTACHING PARTS								
-79	AN525-832R6	SCREW	-----	-----	-----	-----	-----	-----	1	C
-80	AN936-A8	WASHER	-----	-----	-----	-----	-----	-----	1	C
		-----*								
-81	2216006-1	SHAFT	-----	-----	-----	-----	-----	-----	1	F
-82	0516023-3	FITTING	-----	-----	-----	-----	-----	-----	1	F
		ATTACHING PARTS								
-83	MS16562-15	PIN-ROLL	LWR	-----	-----	-----	-----	-----	1	F
-84	MS24665-134	PIN	UPPER	-----	-----	-----	-----	-----	1	F
		-----*								
-85	0705093-2	PLACARD	-----	-----	-----	-----	-----	-----	1	F
-85A	0705093-3	PLACARD	-----	-----	-----	-----	-----	-----	1	G
		ATTACHING PARTS								
-86	S102174-6B	SCREW	-----	-----	-----	-----	-----	-----	2	C
-87	NAS446-1-3	NUT	-----	-----	-----	-----	-----	-----	2	C
		-----*								
-88	2200001-72	LINE ASSY-FUEL	RH FROM SELECTOR VALVE	-----	-----	-----	-----	-----	1	C
-89	2200011-71	LINE ASSY-FUEL	LH FROM SELECTOR VALVE	-----	-----	-----	-----	-----	1	C
-90	AN922-8D	ELBOW	-----	-----	-----	-----	-----	-----	1	C
	AN924-8D	NUT	-----	-----	-----	-----	-----	-----	1	C
	NAS1596-8	PACKING	-----	-----	-----	-----	-----	-----	1	C
-91	2200001-70	LINE ASSY-FUEL	-----	-----	-----	-----	-----	-----	1	C
-92	0716624-2	CAP	-----	-----	-----	-----	-----	-----	1	C
-93	0516024-3	SHAFT ASSY-FUEL SELECTOR	-----	-----	-----	-----	-----	-----	1	G
-93A	0511195-1	GUIDE-FUEL SELECTOR SHAFT	-----	-----	-----	-----	-----	-----	1	G
		ATTACHING PARTS								
	MS16624-50	LOCK RING	-----	-----	-----	-----	-----	-----	1	G
		-----*								
-94	0516025-1	STOP BLOCK-FUEL SELECTOR	-----	-----	-----	-----	-----	-----	1	G
		ATTACHING PARTS								
-94A	AN507-632R8	SCREW	-----	-----	-----	-----	-----	-----	2	G
		-----*								
-95	2216009-2	FITTING ASSY-FUEL SELECTOR	-----	-----	-----	-----	-----	-----	1	G
		ATTACHING PARTS								
-95A	0516026-1	PIN	-----	-----	-----	-----	-----	-----	1	G
	MS24665-1	COTTER PIN	-----	-----	-----	-----	-----	-----	1	G
		-----*								
-96	0516026-1	PIN	-----	-----	-----	-----	-----	-----	1	G
-97	AN960-3L	WASHER	-----	-----	-----	-----	-----	-----	1	G
-98	MS24665-1	COTTER PIN	-----	-----	-----	-----	-----	-----	1	G
-98A	1517105-7	SPRING	-----	-----	-----	-----	-----	-----	1	G

A---T182 SERIAL 18267716 & ON  
 B---T182 SERIAL 18267716 THRU 18268055  
 C---T182 SERIAL 18268056 & ON  
 D---T182 SERIAL 18267716 THRU 18268254  
 E---T182 SERIAL 18268255 & ON  
 F---T182 SERIAL 18267716 THRU 18268434  
 G---T182 SERIAL 18268435 & ON



# 182 & T182 Parts Catalog

Fuel System (Cont)



**182 SERIAL 18265176 THRU 18268055**  
**T182 SERIAL 18267716 THRU 18268055**

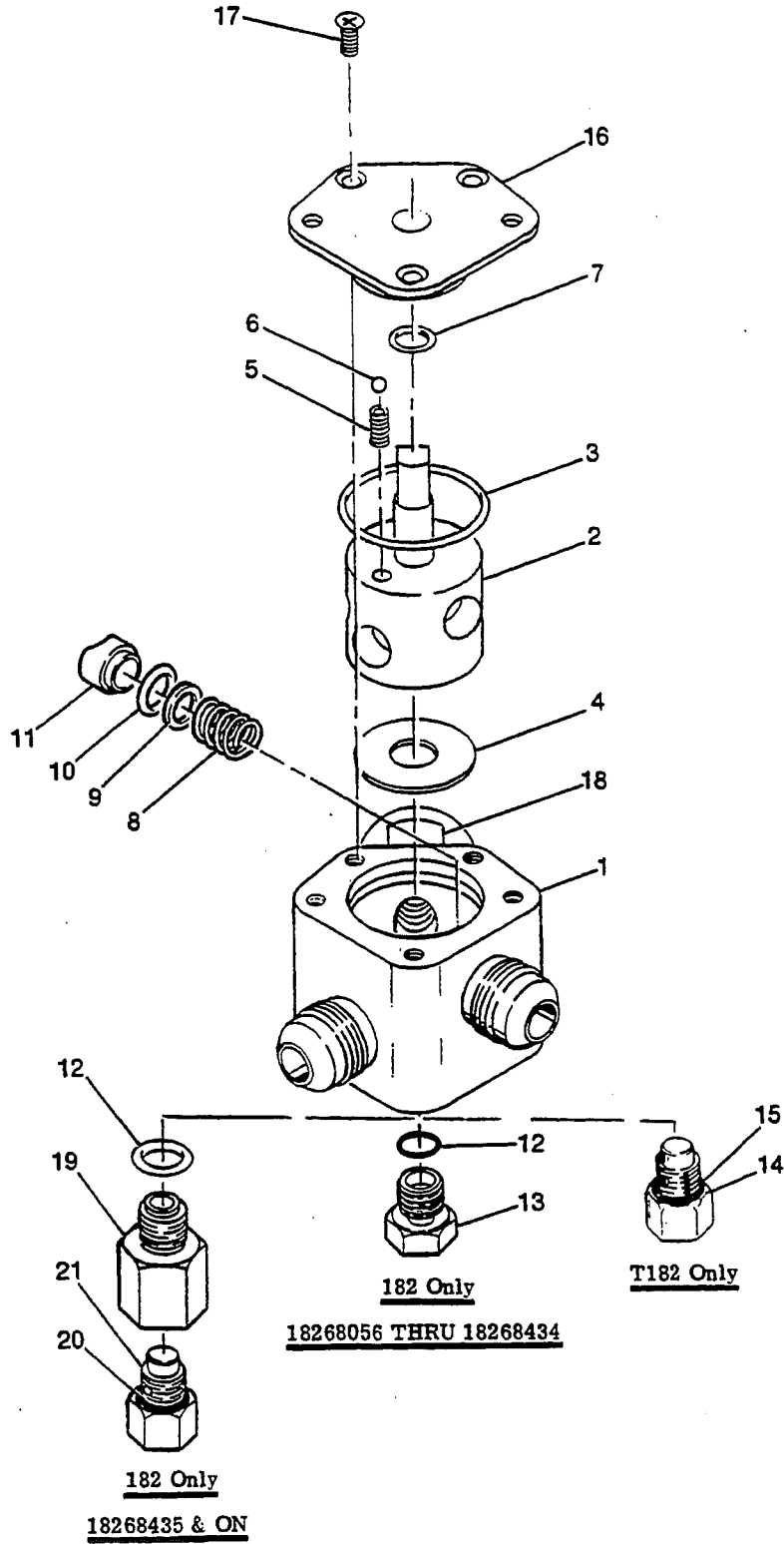
**F182 SERIAL**  
**F18200026 THRU F18200169**

Figure 172. Fuel Selector Valve Assembly.

FIGURE AND INDEX NO.	PART NUMBER	DESCRIPTION							UNITS PER ASSY	USABLE ON CODE
		1	2	3	4	5	6	7		
172 -	9851067-5	FUEL SELECTOR VALVE ASSY -----							1	A
	9851067-4	FUEL SELECTOR VALVE ASSY -----							1	B
- 1	9851063-3	BODY-FUEL SELECTOR VALVE -----							1	
- 2	9851068-2	ROTOR -----							1	A
	9851068-1	ROTOR -----							1	B
- 3	NAS1593-024	PACKING-O-RING -----							1	
- 4	S1358-2	WASHER -----							1	
- 5	1216110-5	SPRING -----							1	
- 6	S272-205	BALL -----							1	
- 7	NAS1593-011	PACKING-O-RING -----							1	
- 8	LC0516-1	SPRING -----							2	
- 9	S2385-5	WASHER -----							2	
-10	NAS1593-012	PACKING-O-RING -----							2	
-11	9851064-1	SEAL -----							2	
-12	NAS1596-3	PACKING-O-RING -----							1	
-13	AN814-3DL	PLUG -----							1	
-14	9851066-2	COVER-FUEL SELECTOR VALVE -----							1	
		ATTACHING PARTS								
-15	AN507-1032R7	SCREW -----							3	
		*-----								
-16	S2019-112	NAMEPLATE -----							1	A
	S2019-111	NAMEPLATE -----							1	B
		A---182 SERIAL 18265176 THRU 18268055 F182 SERIAL F18200001 THRU F18200169 B---T182 SERIAL 18267716 THRU 18268055								

# 182 & T182 Parts Catalog

## Fuel System (Cont)



**182 & T182 SERIAL 18268056 & ON**

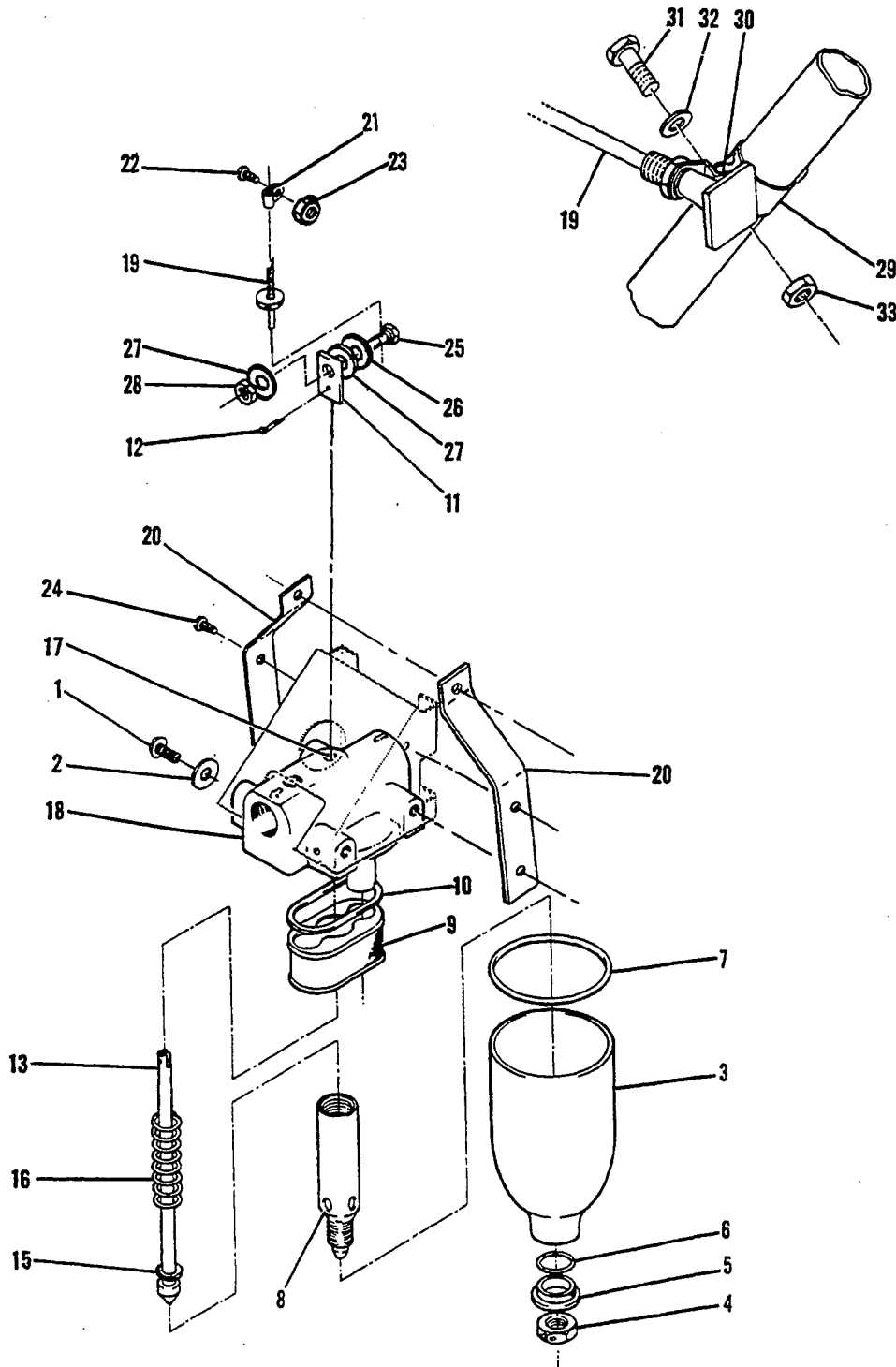
Figure 172A. Fuel Selector Valve Assembly

# 182 & T182 Parts Catalog

FIGURE AND INDEX NO.	PART NUMBER	*	DESCRIPTION							UNITS PER ASSY	USABLE ON CODE
			1	2	3	4	5	6	7		
172A-	9851096-1		FUEL SELECTOR VALVE ASSEMBLY -----							1	A
	9851096-3	*	FUEL SELECTOR VALVE ASSEMBLY -----							1	C
	9851096-2		FUEL SELECTOR VALVE ASSEMBLY -----							1	B
	9851096-5		FUEL SELECTOR VALVE ASSEMBLY -----							1	D
- 1	9851095-1		BODY-FUEL SELECTOR VALVE -----							1	
- 2	9851094-1		ROTOR -----							1	E
	9851094-2		ROTOR -----							1	F
- 3	NAS1593-024		PACKING-O-RING -----							1	
- 4	S1358-2		WASHER -----							1	
- 5	1216110-5		SPRING -----							1	
- 6	S272-205		BALL -----							1	
- 7	NAS1593-011		PACKING-O-RING -----							1	
- 8	LC-0456-1		SPRING -----							2	
- 9	S2385-5		WASHER -----							2	
-10	NAS1593-012		PACKING-O-RING -----							2	
-11	9851097-1		SEAL -----							2	
-12	NAS1596-3		PACKING-O-RING 182 ONLY -----							1	G
-13	AN814-3DL		PLUG 182 ONLY -----							1	A
-14	S2485-1		VALVE ASSY T182 ONLY -----							1	H
-15	NAS1593-011		PACKING-O-RING T182 ONLY -----							1	H
-16	9851066-2		COVER-FUEL SELECTOR VALVE -----							1	
			ATTACHING PARTS								
-17	AN507-1032R7		SCREW -----							3	
			*-----								
-18	S2019-140		NAMEPLATE -----							1	A
	S2019-145		NAMEPLATE -----							1	C
	S2019-141		NAMEPLATE -----							1	B
	S2019-148		NAMEPLATE -----							1	D
-19	9880513-1		FITTING-EXTENSION -----							1	C
-20	S2485-1		VALVE ASSY 182 -----							1	C
-21	NAS1593-011		PACKING-O-RING 182 -----							1	C
<p>NOTE. *WHEN INITIALLY ORDERING THIS PART FOR AIRCRAFT PRIOR TO SERIAL 18268435 ALSO ORDER (1) 0416003-1 GUIDE, FIG 28.</p> <p>A---182 SERIAL 18268056 THRU 18268434            B---T182 SERIAL 18268056 THRU 18268434            C---182 SERIAL 18268435 &amp; ON            D---T182 SERIAL 18268435 &amp; ON            E---182 &amp; T182 SERIAL 18268056 THRU 18268434            F---182 &amp; T182 SERIAL 18268435 &amp; ON            G---182 SERIAL 18268056 &amp; ON            H---T182 SERIAL 18268056 &amp; ON</p>											

# 182 & T182 Parts Catalog

## Fuel System (Cont)



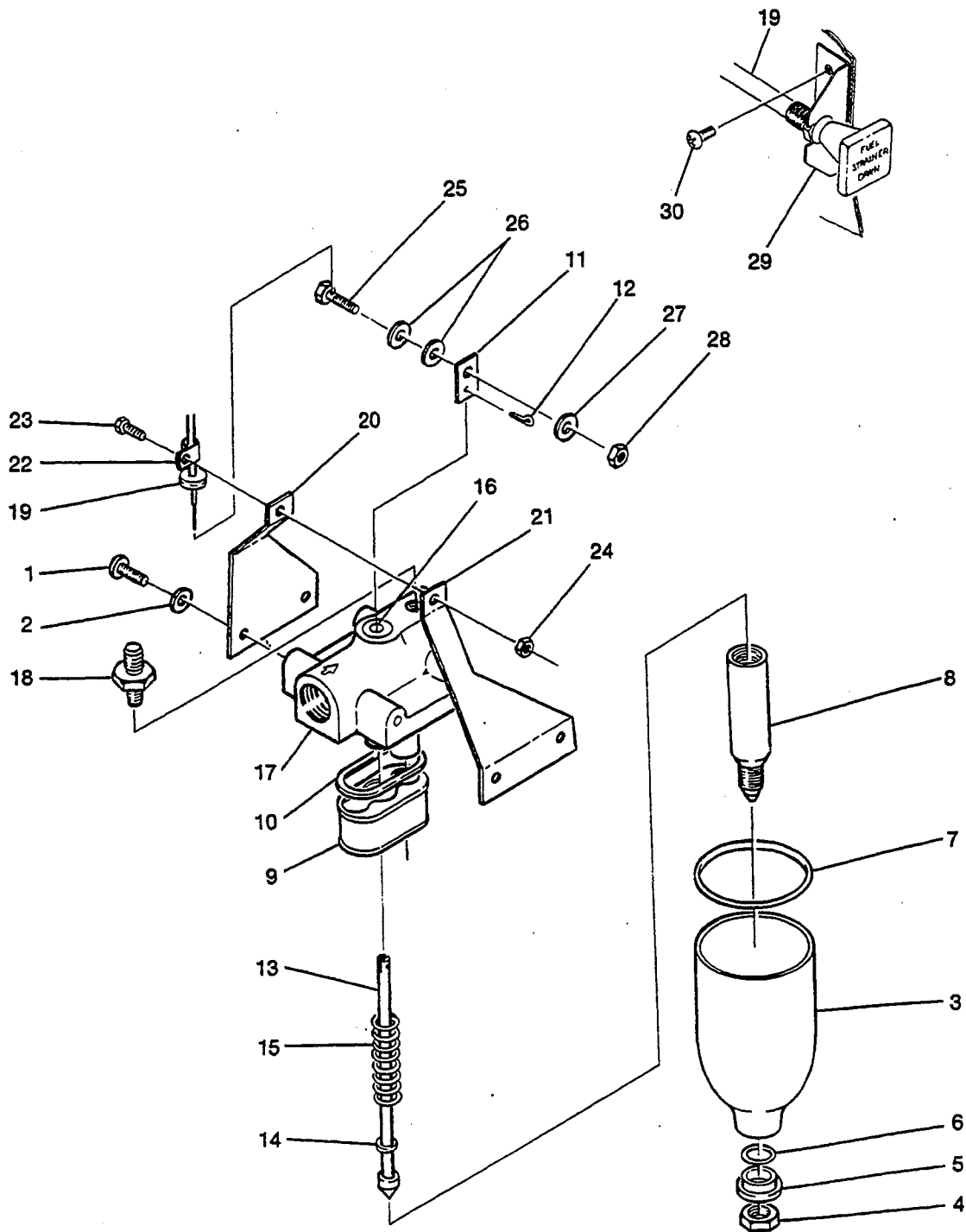
**182 SERIAL 18262466 & ON**  
**F182 SERIAL F1820001 THRU F18200169**  
Figure 173. Fuel Strainer & Drain Control Installation

# 182 & T182 Parts Catalog

FIGURE AND INDEX NO.	PART NUMBER	DESCRIPTION	UNITS PER ASSY	USABLE ON CODE		
			1	2	3	4
173 -	0756005-8	FUEL STRAINER & DRAIN CONTROL INSTALLATION -----	NP	A		
		STRAINER ASSEMBLY-FUEL -----	1			
		ATTACHING PARTS -----				
- 1	AN515-10R8	SCREW -----	4			
- 2	AN936A10	WASHER -----	4			
		-----*				
- 3	0756008-1	BOWL-FUEL STRAINER -----	1			
		ATTACHING PARTS -----				
- 4	S1573-3	NUT -----	1			
- 5	0756015-1	WASHER -----	1			
- 6	NAS1593-111	O-RING -----	1			
- 7	NAS1593-138	O-RING -----	1			
		-----*				
- 8	0756011-1	STANDPIPE -----	1			
- 9	0756009-1	FILTER ASSEMBLY-FUEL STRAINER -----	1			
-10	0756009-8	GASKET -----	1			
-11	0756014-1	PLATE -----	1			
		ATTACHING PARTS -----				
-12	MS24665-132	COTTER PIN -----	1			
		-----*				
-13	0756010-6	PLUNGER ASSEMBLY-DRAIN -----	1			
-14		DELETED NOT PROCURABLE -----				
-15	S1450-27A7-032	WASHER -----	1			
-16	0756012-1	SPRING -----	1			
-17	NAS1593-010	O-RING -----	1			
-18	0756005-2	TOP ASSEMBLY-FUEL STRAINER -----	1			
-19	S1517-2	CONTROL ASSY-STRAINER DRAIN -----	1			
		ATTACHING PARTS -----				
-20	0716136-1	BRACKET -----	1			
-21	MS9025-02	CLAMP -----	1			
-22	AN520-10R8	SCREW -----	1			
-23	MS21044N3	NUT -----	1			
-24	AN525-10R8	SCREW -----	2			
	MS21044N3	NUT -----	2			
-25	S2323-3	CLAMP -----	1			
-26	AN960-416	WASHER -----	1			
-27	AN960-416L	WASHER -----	2			
-28	MS21042L4	NUT -----	1			
-29	0750230-1	CLAMP -----	1			
-30	AN741TD7	CLAMP -----	1			
-31	AN4-6A	BOLT -----	2			
-32	AN960-10L	WASHER -----	2			
-33	MS21042L4	NUT -----	2			
	MS21919DG3	CLAMP -----	2			
	NAS446-4-3	NUT -----	1			
	NAS43DD3-23	SPACER -----	1			
	S1021Z8-14	SCREW -----	1			
	S1021Z8-6	SCREW -----	1			
		-----*				
A---182 SERAIL 18262466 & ON F182 SERIAL F18200001 THRU F18200169						

# 182 & T182 Parts Catalog

## Fuel System (Cont)



**T182 SERIAL 18267716 & ON**

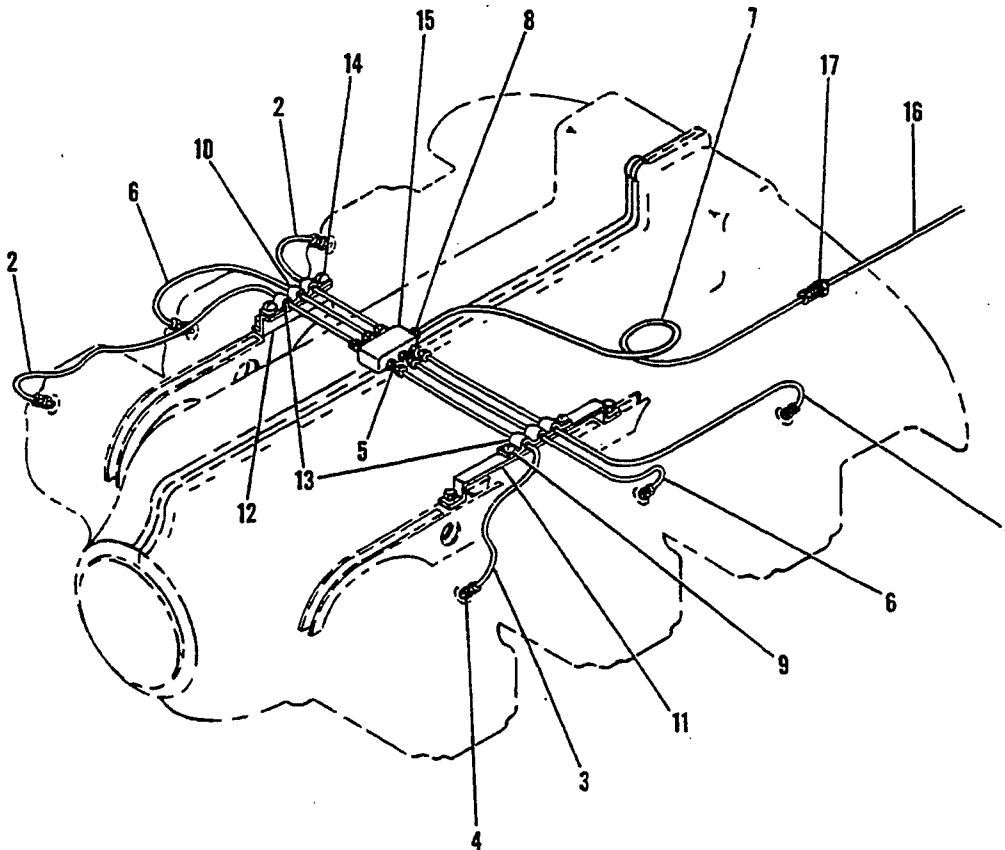
Figure 174. Fuel Strainer & Drain Control Installation

# 182 & T182 Parts Catalog

FIGURE AND INDEX NO.	PART NUMBER	DESCRIPTION	UNITS PER ASSY	USABLE ON CODE
		1 2 3 4 5 6 7		
174 -		FUEL STRAINER & DRAIN CONTROL INSTALLATION -----	NP	A
	0756005-8	STRAINER ASSY-FUEL -----	1	
		ATTACHING PARTS -----		
- 1	AN515-10R8	SCREW -----	4	
- 2	AN960A10	WASHER -----	4	
		-----*		
- 3	0756008-1	BOWL-FUEL STRAINER -----	1	
		ATTACHING PARTS -----		
- 4	S1573-3	NUT -----	1	
- 5	0756015-1	WASHER -----	1	
- 6	MS29513-111	O-RING -----	1	
- 7	MS29513-138	O-RING -----	1	
		-----*		
- 8	0756011-1	STANDPIPE -----	1	
- 9	0756009-1	FILTER ASSY-FUEL STRAINER -----	1	
-10	0756009-8	GASKET -----	1	
-11	0756014-1	PLATE -----	1	
		ATTACHING PARTS -----		
-12	MS24665-132	COTTER PIN -----	1	
		-----*		
-13	0756010-6	PLUNGER ASSY-DRAIN -----	1	
-14	S1450-27A7-032	WASHER -----	1	
-15	0756012-1	SPRING -----	1	
-16	NAS1593-010	O-RING -----	1	
-17	0756005-2	TOP ASSY-FUEL STRAINER -----	1	
-18	AN816-2D	NIPPLE -----	1	
	MS20913-15	PLUG USED WITH ELECTRIC PRIMER ONLY -----	1	B
-19	S1517-16	CONTROL ASSY-STRAINER DRAIN -----	1	
		ATTACHING PARTS -----		
-20	2250006-1	BRACKET-OUTBD -----	1	
-21	2250005-1	BRACKET-INBD -----	1	
-22	AN742D3	CLAMP-CONTROL WIRE -----	1	
-23	AN520-10R8	SCREW -----	1	
-24	MS20364-1032C	NUT -----	1	
-25	S2323-3	CLAMP -----	1	
-26	AN960-416L	WASHER -----	2	
-27	AN960-416	WASHER -----	1	
-28	MS21042L4	NUT -----	1	
		-----*		
-29	2255043-1	CONTROL BRACKET-FUEL STRAINER -----	1	
-30	AN520-10R6	SCREW -----	1	
		-----*		
		A---T182 SERIAL 18267716 & ON B---T182 SERIAL 18268294 & ON		

# 182 & T182 Parts Catalog

Fuel System (Cont)



**182 SERIAL 18262466 & ON**  
**F182 SERIAL F18200001 THRU F18200169**

Figure 175. Fuel Primer System

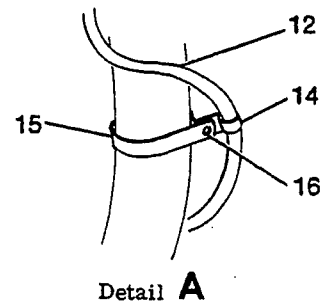
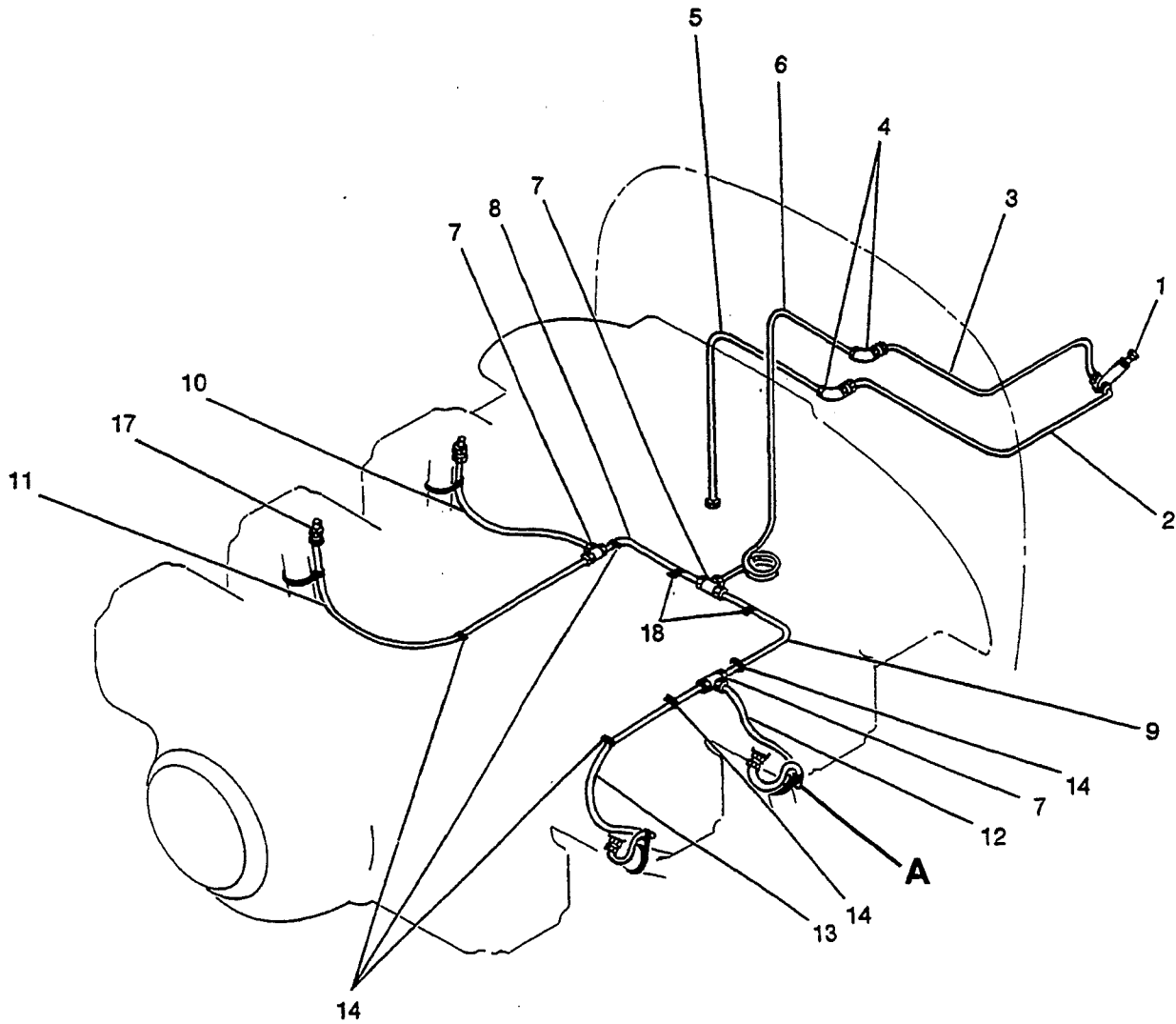


# 182 & T182 Parts Catalog

FIGURE AND INDEX NO.	PART NUMBER	DESCRIPTION						UNITS PER ASSY	USABLE ON CODE
		1	2	3	4	5	6		
175 -		FUEL PRIMER SYSTEM-SIX CYLINDER -----						NP	A
- 1	0750125-1	LINE ASSEMBLY-CYLINDER 2 TO DISTRIBUTOR -----						1	
	AN4022-1	ATTACHING PARTS -----							
	AN780-2	JET-FUEL -----						1	
		NIPPLE -----						1	
		-----*							
- 2	0750125-2	LINE ASSEMBLY-CYLINDER 1 AND 5 TO DISTRIBUTOR -----						2	
	AN4022-1	ATTACHING PARTS -----							
	AN780-2	JET-FUEL -----						1	
		NIPPLE -----						1	
		-----*							
- 3	0750125-3	LINE ASSEMBLY-CYLINDER 6 TO DISTRIBUTOR -----						1	
	AN4022-1	ATTACHING PARTS -----							
- 4	AN4022-1	JET-FUEL -----						1	
- 5	AN780-2	NIPPLE -----						1	
		-----*							
- 6	0750125-4	LINE ASSEMBLY-CYLINDER 3 AND 4 TO DISTRIBUTOR -----						2	
	AN4022-1	ATTACHING PARTS -----							
	AN780-2	JET-FUEL -----						1	
		NIPPLE -----						1	
		-----*							
- 7	0500106-173	LINE ASSEMBLY-DISTRIBUTOR TO BAFFLE -----						1	
	0700099-83	WHEN EXHAUSTED USE 0700099-83 -----							
		LINE ASSEMBLY-DISTRIBUTOR TO BAFFLE -----						1	
		ATTACHING PARTS -----							
- 8	AN816-2D	NIPPLE -----						1	
		-----*							
- 9	0750125-5	CLAMP ASSEMBLY-LH -----						1	
-10	0750125-6	CLAMP ASSEMBLY-RH -----						1	
-11	0750125-7	BRACKET-MOUNTING LH -----						1	
-12	0750125-8	BRACKET-MOUNTING RH -----						1	
-13	0750125-9	CLAMP -----						2	
		ATTACHING PARTS -----							
-14	S1021Z10-6	SCREW -----						4	
	0750125-11	NUT -----						4	
		-----*							
-15	0750125-10	DISTRIBUTOR-FUEL -----						1	
-16	0700099-82	LINE ASSEMBLY-FIREWALL TO BAFFLE -----						1	
		ATTACHING PARTS -----							
-17	AN832-2D	UNION -----						1	
	AN924-2D	NUT -----						1	
	AN960D516	WASHER -----						2	
	AN833-2D	ELBOW -----						1	
		-----*							
A---182 SERIAL 18262466 & ON F182 SERIAL F18200001 THRU F18200169									

# 182 & T182 Parts Catalog

Fuel System (Cont)



**T182 SERIAL 18267716 & ON**

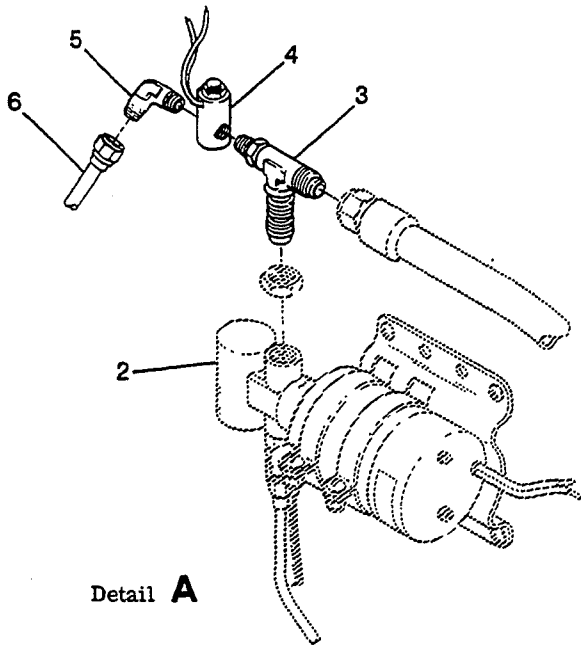
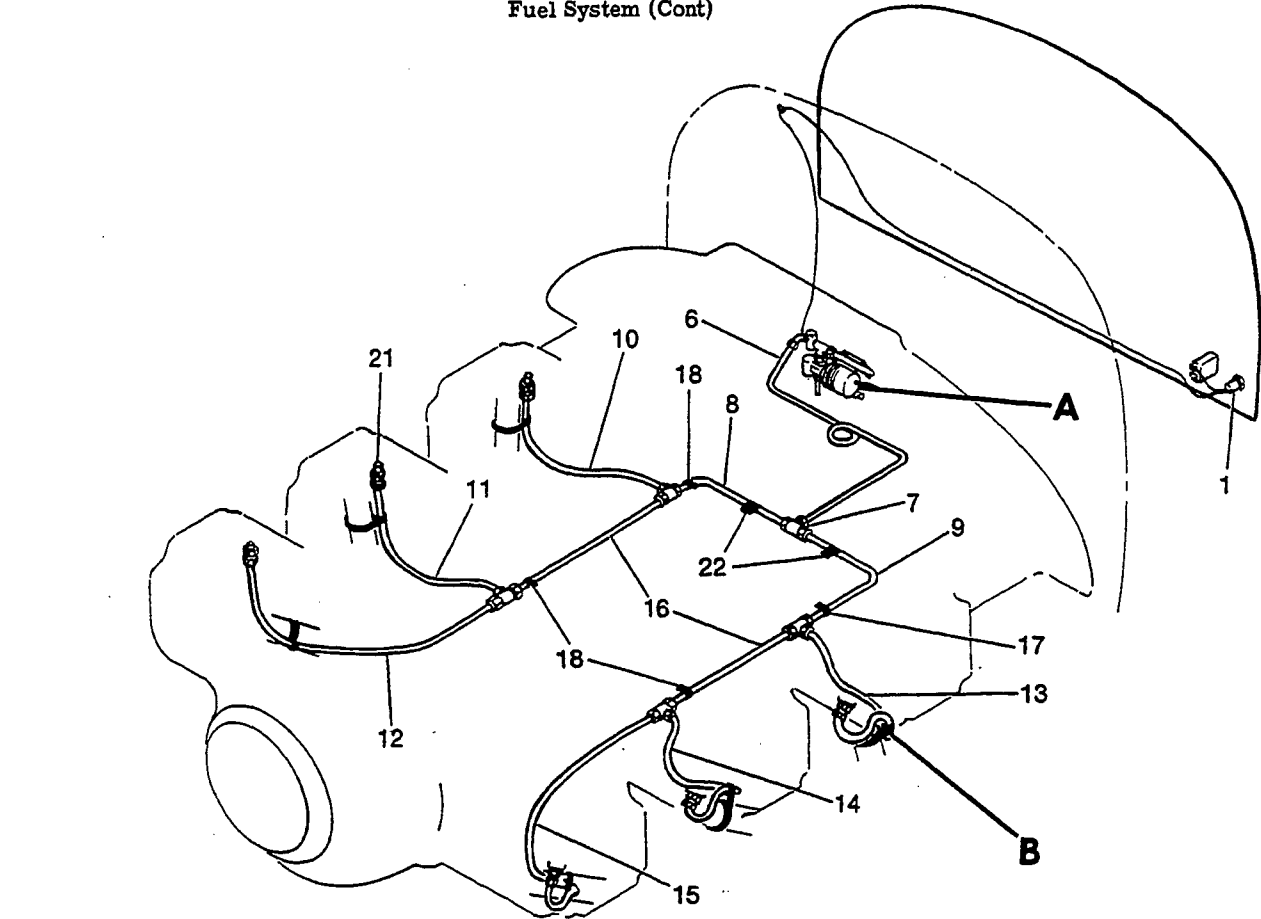
Figure 176. Fuel Primer Installation

# 182 & T182 Parts Catalog

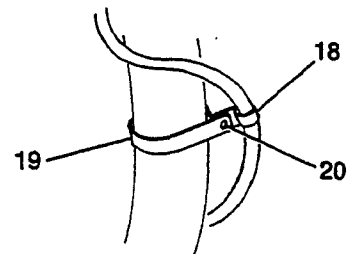
FIGURE AND INDEX NO.	PART NUMBER	DESCRIPTION							UNITS PER ASSY	USABLE ON CODE
		1	2	3	4	5	6	7		
176 -		<b>FUEL PRIMER INSTALLATION</b> -----								A
- 1		PRIMER ASSY SEE INSTRUMENT PANEL EQUIP -----							1	
- 2	0700099-2	LINE ASSY-PRIMER FUEL PRIMER TO FIREWALL -----							1	
- 3	0700099-3	LINE ASSY-PRIMER FUEL PRIMER TO FIREWALL -----							1	B
	0700099-101	LINE ASSY-PRIMER FUEL PRIMER TO FIREWALL -----							1	C
- 4	AN833-2	ELBOW -----							2	
		<b>ATTACHING PARTS</b>								
	AN960-516	WASHER -----							1	
	AN924-2	NUT -----							1	
		-----*								
- 5	2200001-34	LINE ASSY-PRIMER INLET FIREWALL TO STRAINER DRAIN -----							1	
- 6	2200001-19	LINE ASSY-PRIMER OUTLET FIREWALL TO TEE -----							1	
- 7	AN824-2D	TEE -----							1	
- 8	2200001-24	LINE ASSY-PRIMER RH -----							1	
- 9	2200001-23	LINE ASSY-PRIMER LH -----							1	
- 10	2200001-40	LINE ASSY-PRIMER CYLINDER #5 -----							1	
- 11	2200001-39	LINE ASSY-PRIMER CYLINDER #3 -----							1	
- 12	2200001-37	LINE ASSY-PRIMER CYLINDER #6 -----							1	
- 13	2200001-38	LINE ASSY-PRIMER CYLINDER #4 -----							1	
		<b>ATTACHING PARTS</b>								
- 14	MS21919DG2	CLAMP -----							9	
- 15	AN735-28	CLAMP -----							4	
- 16	AN520-10R10	SCREW -----							4	
	MS20364-1032C	NUT -----							4	
		-----*								
- 17	AN4022-1	JET -----							4	
- 18	S1644-2	CLAMP -----							2	
		A---T182 SERIAL 18267716 & ON B---T182 SERIAL 18267716 THRU 18268434 C---T182 SERIAL 18268435 & ON								

# 182 & T182 Parts Catalog

Fuel System (Cont)



Detail A



Detail B

**T182 SERIAL 18268294 & ON**

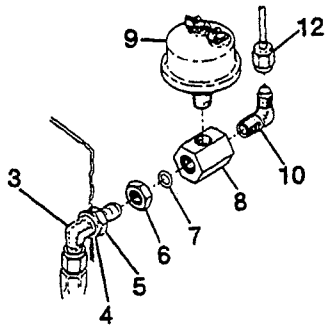
Figure 176A. Fuel Primer Installation - Electric

# 182 & T182 Parts Catalog

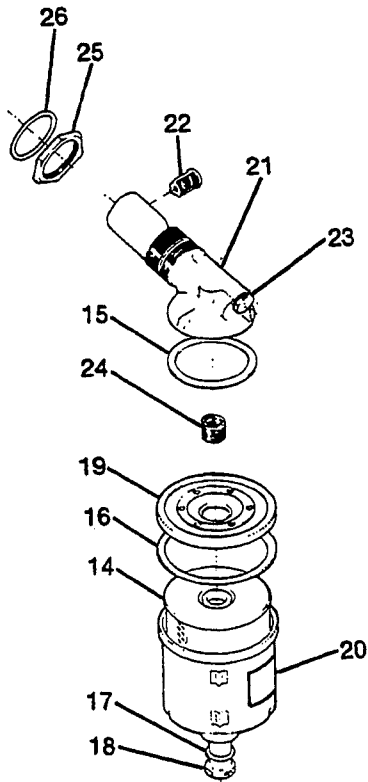
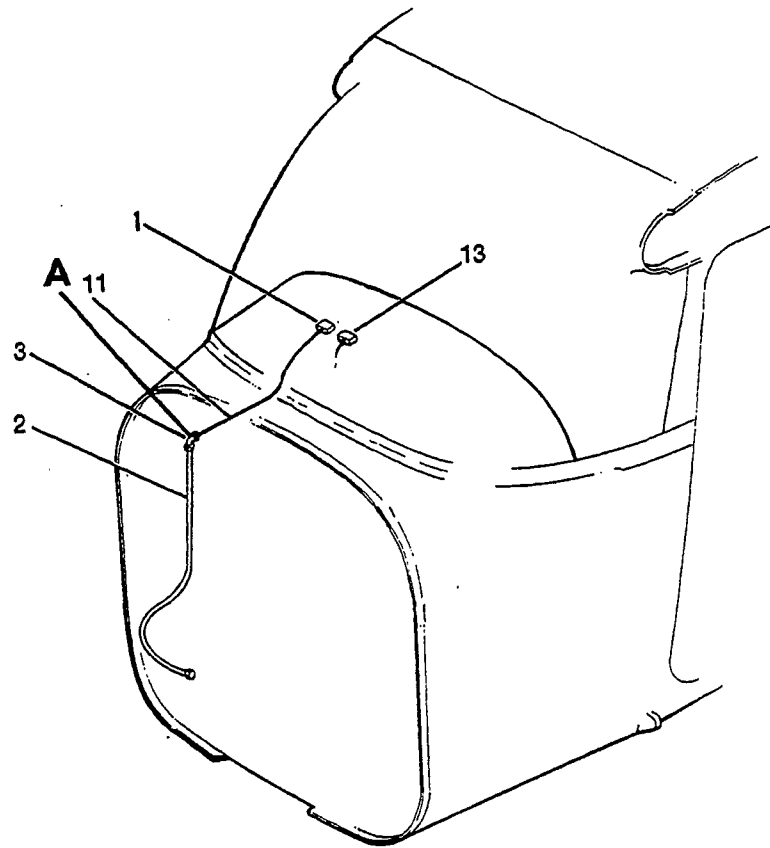
FIGURE AND INDEX NO.	PART NUMBER	DESCRIPTION							UNITS PER ASSY	USABLE ON CODE
		1	2	3	4	5	6	7		
176A-		FUEL PRIMER INSTALLATION-ELECTRIC -----							NP	A
- 1	SEE FIG 102A	SWITCH-ELECTRIC PRIMER -----							1	
- 2	SEE FIG 171	FUEL PUMP -----							1	
- 3	2250165-3	TEE -----							1	
	2250165-1	TEE ALT -----							1	
- 4	B2DX62	VALVE SKIN -----							1	
- 5	MS20822-2D	ELBOW -----							1	
- 6	2200001-73	LINE ASSY-ELBOW TO TEE -----							1	
- 7	AN824-2D	TEE -----							1	
- 8	2200001-24	LINE ASSY-PRIMER RH -----							1	
- 9	2200001-23	LINE ASSY-PRIMER LH -----							1	
-10	2200001-40	LINE ASSY-PRIMER CYLINDER #5 -----							1	
-11	2200001-40	LINE ASSY-PRIMER CYLINDER #3 -----							1	
-12	2200001-39	LINE ASSY-PRIMER CYLINDER #1 -----							1	
-13	2200001-37	LINE ASSY-PRIMER CYLINDER #6 -----							1	
-14	2200001-37	LINE ASSY-PRIMER CYLINDER #4 -----							1	
-15	2200001-38	LINE ASSY-PRIMER CYLINDER #2 -----							1	
-16	2200001-74	LINE ASSY-PRIMER -----							2	
		ATTACHING PARTS								
-17	S2300-1	BRACKET LH AFT ONLY -----							1	
	S1485D2	CLAMP LH AFT ONLY -----							1	
	S1021Z8-8C	SCREW LH AFT ONLY -----							1	
	MS21919D62	CLAMP -----							2	
-18	MS21919DG2	CLAMP -----							7	
-19	AN735-28	CLAMP -----							6	
-20	AN520-10R10	SCREW -----							6	
	MS20364-1032C	NUT -----							6	
		*-----								
-21	AN4022-1	JET-FUEL PRIMER -----							6	
-22	S1644-2	CLAMP -----							2	
A---T182 SERIAL 18268294 & ON										

# 182 & T182 Parts Catalog

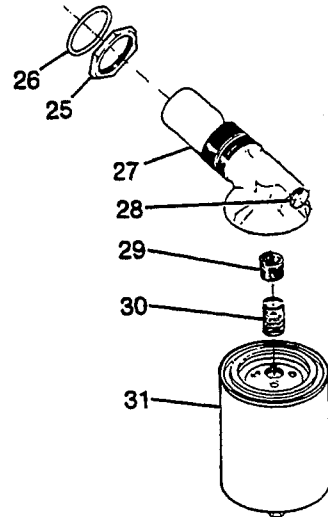
## Oil System



Detail A



18262466 THRU F18267041  
F18200001 THRU 18200129



18267042 & ON  
F18200130 THRU F18200169

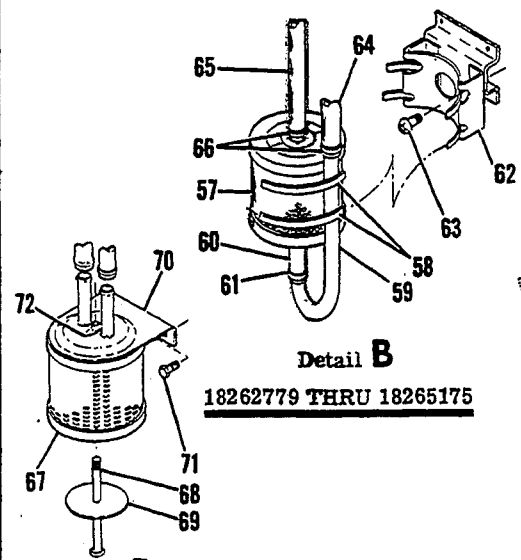
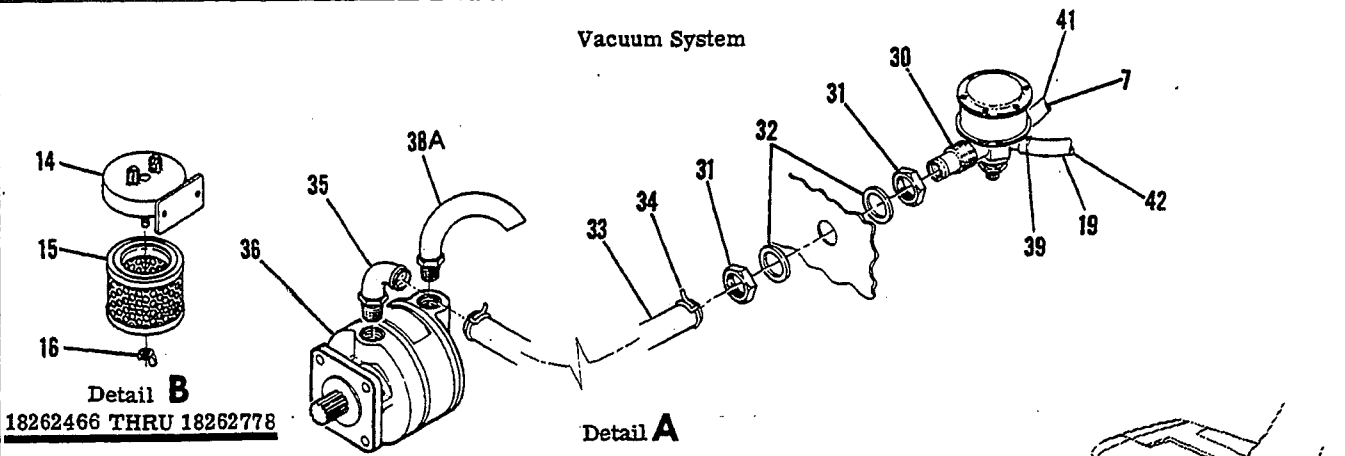
**182 SERIAL 18262466 & ON**  
**F182 SERIAL F18200001 THRU F18200169**

Figure 177. Oil System Installation

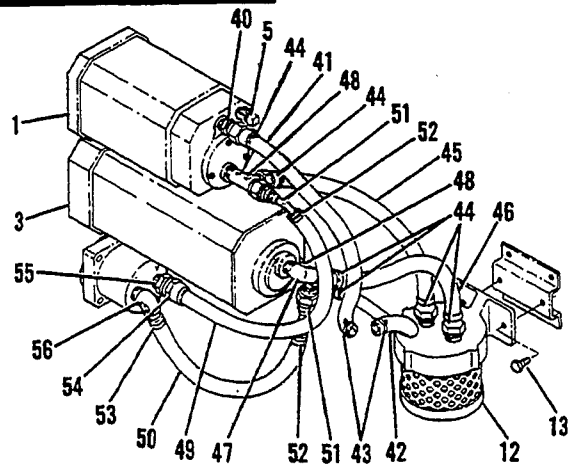
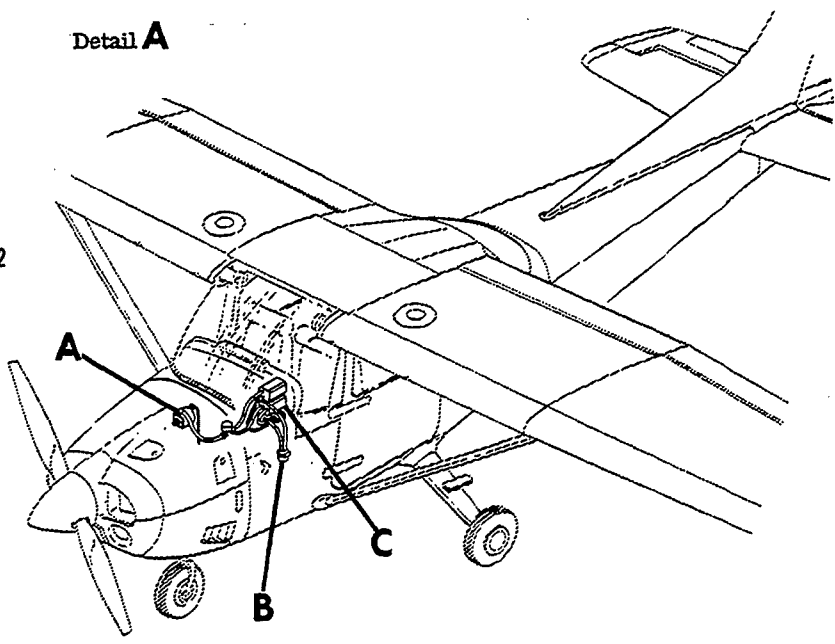


# 182 & T182 Parts Catalog

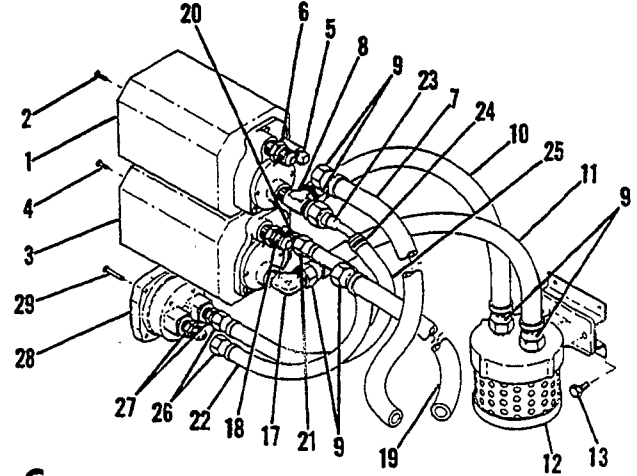
## Vacuum System



**Detail B**  
18265176 THRU 18265965  
F18200001 THRU F18200064



**Detail C**



**182 SERIAL 18262466 THRU 18265965**  
**F182 SERIAL F18200001 THRU F18200064**

Figure 178. Vacuum System Installation



# 182 & T182 Parts Catalog

FIGURE AND INDEX NO.	PART NUMBER		DESCRIPTION							UNITS PER ASSY	USABLE ON CODE
			1	2	3	4	5	6	7		
178 -			VACUUM SYSTEM INSTALLATION -----							NP	A
- 1	C661076-0102 **		GYRO HORIZON -----							1	
	C661076-0103 **		GYRO-HORIZON ALTERNATE -----							1	
	C661076-0105 **		GYRO-HORIZON ALTERNATE -----							1	
	C661076-0101 **		GYRO-HORIZON ALTERNATE -----							1	
			ATTACHING PARTS -----								
- 2	AN515-6R6		SCREW -----							4	
			-----*								
- 3	C661075-0101 %		GYRO-DIRECTIONAL ALTERNATE -----							1	
	C661075-0103 %		GYRO-DIRECTIONAL ALTERNATE -----							1	
	C661075-0106 %		GYRO-DIRECTIONAL ALTERNATE -----							1	
	C661075-0105 %		GYRO-DIRECTIONAL WITH HEADING REFERENCE -----							1	
	40760-0104		GYRO-DIRECTIONAL ARC NAV-D-MATIC -----							1	
	40760-0114		GYRO-DIRECTIONAL ARC ALT FOR 40760-0104 -----							1	
			ATTACHING PARTS -----								
- 4	AN515-6R6		SCREW -----							4	
	AN515-6R10		SCREW ATTACH 40760-0104 ONLY -----							3	
	AN515-6R12		SCREW ATTACH 30370-0102 ONLY -----							3	
			-----*								
- 5	MS20913-1D		PLUG -----							1	
- 6	AN816-6D		NIPPLE -----							1	
- 7	S1495-6		HOSE-12.00 IN LG BKI REF S1499-6L-12.00 -----							1	
			FROM HORIZON GYRO TO RELIEF VALVE -----								
- 8	MS20826-6D		TEE -----							1	
- 9	S1497-6		FITTING-SOCKETLESS -----							6	
-10	S1495-6		HOSE-14.75 IN LG BKI REF S1499-6L-14.75 -----							1	B
			FROM HORIZON GYRO TO FILTER -----								
-11	S1495-6		HOSE-14.75 IN LG BKI REF S1499-6L-14.75 -----							1	B
			FROM DIRECTIONAL GYRO TO FILTER -----								
-12	C294501-0101		FILTER ASSEMBLY-VACUUM AIR -----							1	B
			ATTACHING PARTS -----								
-13	AN3-3A		BOLT -----							2	B
			-----*								
-14	C294501-0102		BRACKET -----							1	B
-15	C294501-0103		FILTER ELEMENT-VACUUM AIR -----							1	B
			ATTACHING PARTS -----								
-16	P2274		NUT-WING -----							1	B
			-----*								
-17	MS20822-6D		ELBOW -----							1	
-18	AN816-6D		ELBOW NOT USED ON NAV 300 -----							1	
	MS20826-6D		TEE NAV 300 ONLY -----							1	
	1713039-1		ELBOW ASSEMBLY NAV 300 ONLY -----							1	
	NAS397-8		CLAMP NAV 300 ONLY -----							1	
-19	S1495-6		HOSE-12.00 IN LG BKI REF S1499-6L-12.00 -----							1	
			FROM DIRECTIONAL GYRO TO RELIEF VALVE -----								
-20	AN816-4D		NIPPLE NOT USED ON NAV 300 -----							1	
-21	S1497-4		FITTING-SOCKETLESS NOT USED ON NAV 300 -----							1	
-22	S1495-4		HOSE-13.50 IN LG BKI REF S1499-4JJ-13.50 -----							1	
			FROM DIRECTIONAL GYRO TO SUCTION GAGE -----								
	S1495-4		HOSE-9.00 IN LG BKI REF S1691-1-9.00 NAV 300 ONLY -----							1	
			FROM DIRECTIONAL GYRO TO SUCTION GAGE -----								
-23	1713039-1		ELBOW ASSEMBLY -----							1	
-24	NAS397-8		CLAMP -----							1	
-25	S1495-4		HOSE-14.75 IN LG BKI REF S1691-1-14.75 -----							1	
			FROM HORIZON GYRO TO SUCTION GAGE -----								
-26	S1497-4		FITTING-SOCKETLESS -----							2	
-27	AN816-4D		NIPPLE -----							2	
-28	C668540-0101		GAGE-SUCTION -----							1	
			ATTACHING PARTS -----								
-29	AN515B6R12		SCREW -----							4	
			-----*								
-30	C482001-0401		VALVE-VACUUM RELIEF -----							1	
			ATTACHING PARTS -----								
-31	AN924-10D		NUT -----							2	
-32	AN960PD1416L		WASHER -----							2	
			-----*								
	C482001-0202		FILTER-VACUUM RELIEF -----							1	
-33	S51-10		HOSE-12.0 IN LG BKI REF S51-10-48 -----							1	
			ATTACHING PARTS -----								
-34	S1494-16		CLAMP -----							2	
			-----*								

CONTINUED ON NEXT PAGE

# 182 & T182 Parts Catalog

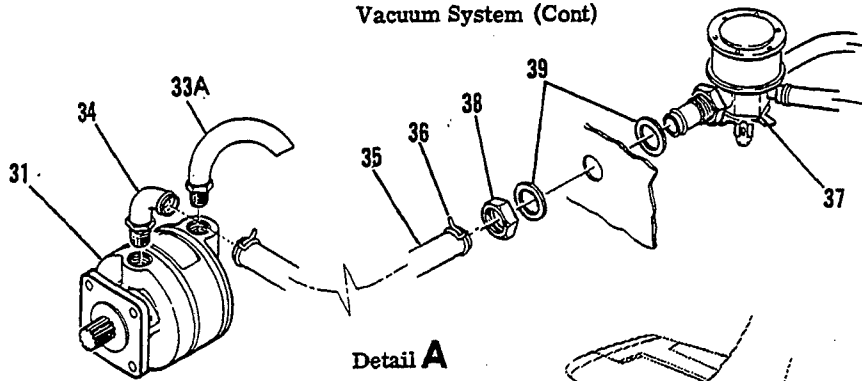
FIGURE AND INDEX NO.	PART NUMBER	DESCRIPTION	UNITS PER ASSY							USABLE ON CODE	
			1	2	3	4	5	6	7		
178 -35	1K1-6-10	ELBOW ABNE -----								1	
-36	C431003-0102	PUMP-VACUUM -----								1	
	C431003-0302	PUMP-VACUUM ALTERNATE -----								1	
-37		LOCATOR FSO S2363-3 -----								1	
-38		TUBE ASSY ABNE FSO S2363-3 -----								1	
	S2363-3	ELBOW -----								1	
		TUBE ASSY ABNE ALT FSO S2363-3 -----								1	
-39	S1494-9	CLAMP -----								2	
-40	AN816-6D	NIPPLE -----								1	
-41	S1495-6	HOSE-10.50 IN LG BKI REF S1499-6L-10.50 ----- FROM HORIZON GYRO TO RELIEF VALVE								1	
-42	S1495-6	HOSE-7.25 IN LG BKI REF S1499-6L-7.25 ----- FROM DIRECTIONAL GYRO TO RELIEF VALVE								1	
-43	S1494-6	CLAMP -----								2	
-44	S1497-6	FITTING-SOCKETLESS -----								6	
-45	S1495-6	HOSE-13.00 IN LG BKI REF S1499-6L-13.00 ----- FROM HORIZON GYRO TO FILTER								1	B
-46	S1495-6	HOSE-13.00 IN LG BKI REF S1499-6L-13.00 ----- FROM DIRECTIONAL GYRO TO FILTER								1	B
-47	MS20823-6D	ELBOW -----								1	
-48	MS20826-6D	TEE -----								2	
-49	S1495-4	HOSE-17.50 IN LG BKI REF S1691-1-17.50 ----- HORIZON GYRO TO SUCTION GAGE								1	
-50	S1495-4	HOSE-10.00 IN LG BKI REF S1691-2-10.00 ----- DIRECTIONAL GYRO TO SUCTION GAGE								1	
-51	1713039-1	ELBOW ASSEMBLY -----								2	
-52	NAS397-8	CLAMP -----								2	
-53	S1963-2	STA-STRAP ALSO ALTERNATE FOR NAS397-8 -----								1	
-54	S1497-4	FITTING-SOCKETLESS -----								1	
-55	AN816-4D	NIPPLE -----								1	
-56	AN844-4D	ELBOW -----								1	
-57	C294502-0101	FILTER -----								1	C
		ATTACHING PARTS									
-58	S1693-3	STA STRAP -----								2	C
		*-----									
-59	0713533-1	U TUBE -----								1	C
-60	S1495-6	TUBE-2.00 IN LG BKI REF S1495-6-2.00 -----								1	C
		ATTACHING PARTS									
-61	S2209-2	STA STRAP -----								2	C
		*-----									
-62	0513448-1	BRACKET -----								1	C
		ATTACHING PARTS									
-63	AN520-10R6	SCREW -----								2	C
		*-----									
-64	S1495-6	HOSE-12.50 IN LG BKI REF S1499-6L-12.50 ----- FROM DIRECTIONAL GYRO TO U TUBE								1	D
-65	S1495-6	HOSE-13.00 IN LG BKI S1499-6L-13.00 ----- FROM HORIZON GYRO TO TOP OF FILTER								1	D
-66	S2209-2	STA STRAP -----								2	C
-67	C294502-0201	FILTER -----								1	E
		ATTACHING PARTS									
-68	AN3-34A	BOLT -----								1	E
-69	S1450-3A32-050	WASHER -----								1	E
		*-----									
-70	1201075-4	BRACKET ASSY -----								1	E
		ATTACHING PARTS									
-71	AN3-3A	BOLT -----								2	E
		*-----									
-72	NAS680A3	NUTPLATE -----								1	E
<p>NOTE. **THESE GYROS ARE PHYSICALLY &amp; FUNCTIONALLY INTERCHANGEABLE.</p> <p>NOTE. %THESE GYROS ARE PHYSICALLY &amp; FUNCTIONALLY INTERCHANGEABLE.</p> <p>A---182 SERIAL 18262466 THRU 18265965 F182 SERIAL F18200001 THRU F18200064</p> <p>B---182 SERIAL 18262466 THRU 18262778</p> <p>C---182 SERIAL 18262779 THRU 18265175 F182 SERIAL F18200001 THRU F18200025</p> <p>D---182 SERIAL 18262779 THRU 18265965 F182 SERIAL F18200001 THRU F18200064</p> <p>E---182 SERIAL 18265176 THRU 18265965 F182 SERIAL F18200026 THRU F18200064</p>											

# 182 & T182 Parts Catalog

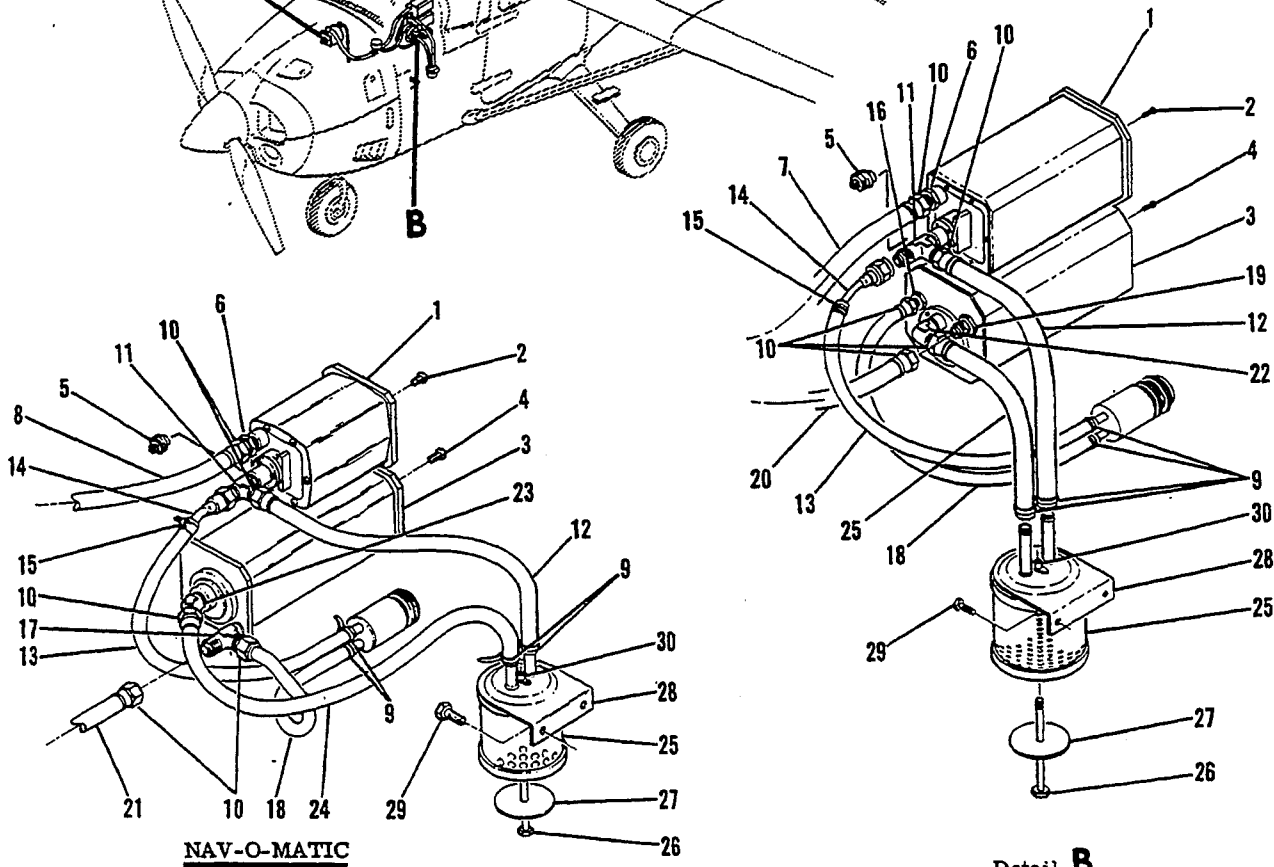
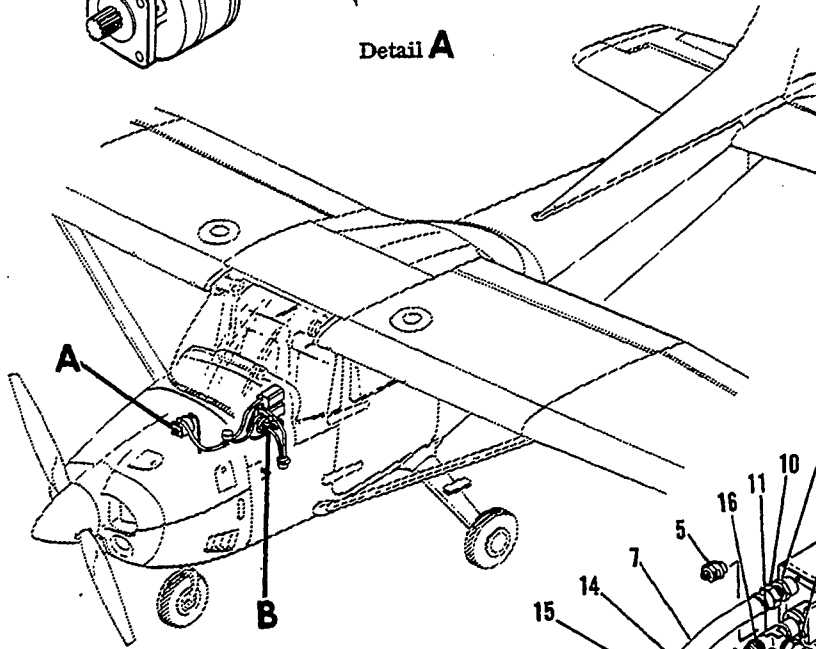
FIGURE AND INDEX NO.	PART NUMBER		DESCRIPTION							UNITS PER ASSY	USABLE ON CODE
			1	2	3	4	5	6	7		
179 -			VACUUM SYSTEM -----							NP	A
- 1	C661076-0102	*	GYRO-HORIZON -----							1	
	C661076-0101	*	GYRO-HORIZON ALT -----							1	
	C661076-0103	*	GYRO-HORIZON ALT -----							1	
	C661076-0105	*	GYRO-HORIZON ALT -----							1	
	C661076-0107	*	GYRO-HORIZON ALT -----							1	
			ATTACHING PARTS								
- 2	AN515-6R6		SCREW -----							3	
			-----*								
- 3	C661075-0101	**	GYRO-DIRECTIONAL -----							1	
	C661075-0103	**	GYRO-DIRECTIONAL ALT -----							1	
	C661075-0104	**	GYRO-DIRECTIONAL ALT -----							1	
	C661075-0106	**	GYRO-DIRECTIONAL ALT -----							1	
	C661075-0108	**	GYRO-DIRECTIONAL ALT -----							1	
	C661075-0105		GYRO-DIRECTIONAL WITH HEADING REFERENCE -----							1	
	C661075-0107		GYRO-DIRECTIONAL ALT FOR C661075-0105 -----							1	
	40760-0104		GYRO-DIRECTIONAL ARC NAV-O-MATIC 300A -----							1	
	40760-0114		GYRO-DIRECTIONAL ARC ALT FOR 40760-0104 -----							1	
	44690-2000		INDICATOR-HSI ARC COMBINATION UNSLAVED DIRECTIONAL -----							1	
			GYRO & COURSE DEVIATION INDICATOR								
			ATTACHING PARTS								
- 4	AN515-6R6		SCREW -----							4	
	AN515B632R12		SCREW ATTACH 44690-2000 ONLY -----							4	
			-----*								
CONTINUED ON NEXT PAGE											

# 182 & T182 Parts Catalog

## Vacuum System (Cont)



Detail A



**NAV-O-MATIC**

Detail B

Detail B

**182 SERIAL 18265966 THRU 18267715**  
**F182 SERIAL F1820065 THRU F18200169**

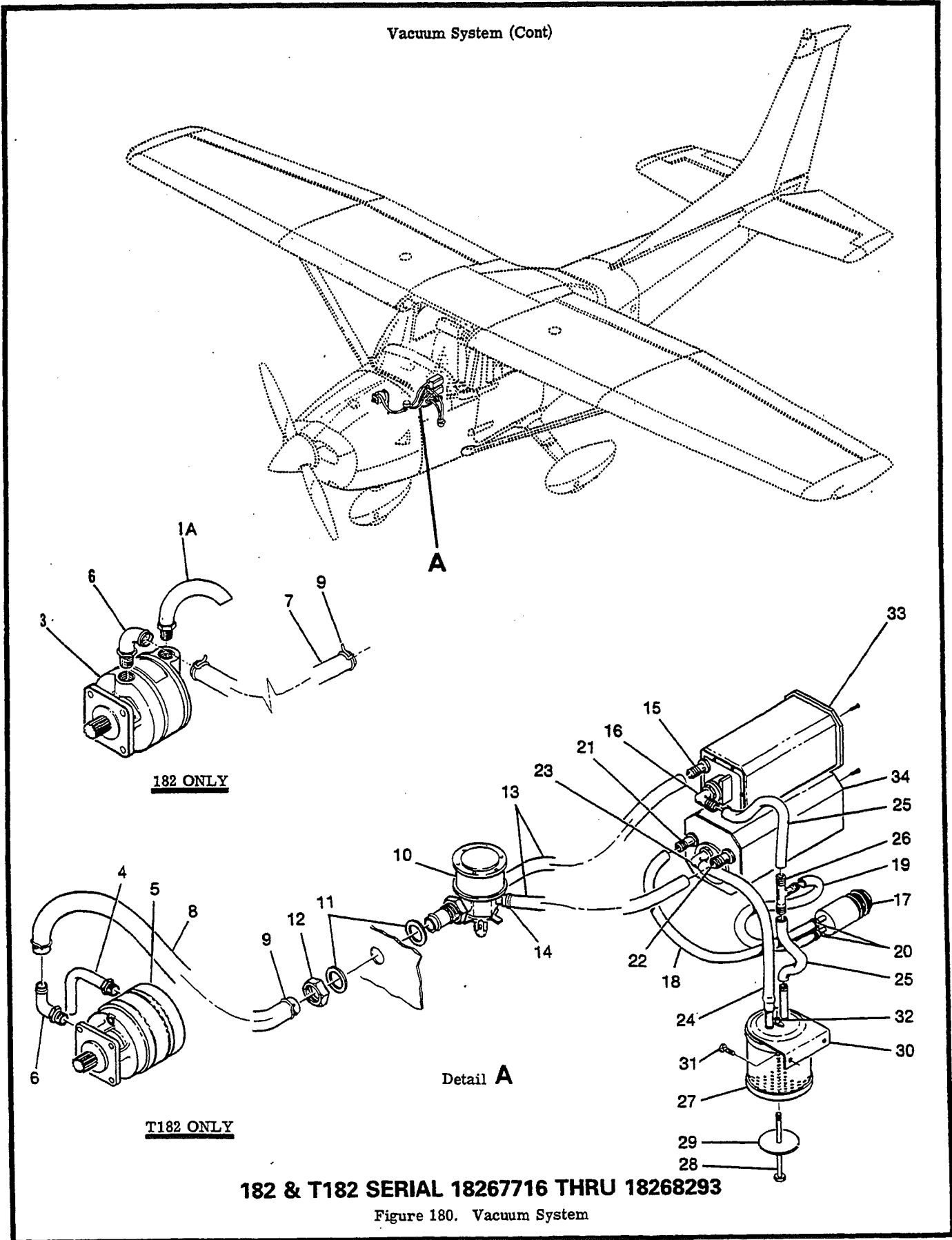
Figure 179. Vacuum System

# 182 & T182 Parts Catalog

FIGURE AND INDEX NO.	PART NUMBER	DESCRIPTION							UNITS PER ASSY	USABLE ON CODE
		1	2	3	4	5	6	7		
179 - 5	MS20913-1D	PLUG							1	
- 6	AN816-6D	NIPPLE							1	
- 7	S1495-6	HOSE-12.0 IN LG BKI REF S1499-6L-12.00							1	
		HORIZON GYRO TO RELIEF VALVE								
- 8	S1495-6	HOSE-10.5 IN LG BKI REF S1499-6L-10.50							1	
		HORIZON GYRO TO RELIEF VALVE NAV-O-MATIC								
- 9	S2209-2	STA-STRAP							AR	
-10	S1497-6	FITTING-SOCKETLESS							AR	
-11	MS20826-6D	TEE							1	
-12	S1495-6	HOSE-13.0 IN LG BKI REF S1499-6L-13.00							1	
		HORIZON GYRO TO FILTER								
-13	S1495-4	HOSE-16.00 IN LG BKI REF S1691-2-16.00							1	
		HORIZON GYRO TO SUCTION GAGE								
-14	1713039-1	ELBOW ASSY							1	
-15	NAS397-8	CLAMP							1	
-16	AN816-4D	NIPPLE							1	
-17	MS20826-6D	TEE USED WITH NAV-O-MATIC							1	
-18	S1495-4	HOSE-13.5 IN LG BKI REF S1499-4J-13.50							1	
		DIRECTIONAL GYRO TO SUCTION GAGE								
	AN816-4D	NIPPLE REPLACES MS20913-1D PLUG IN HORIZON							1	
	S1495-4	HOSE-16.5 IN LG BKI REF S1499-4J-16.50							1	
		HORIZON GYRO TO SUCTION GAGE WITH HSI INSTL								
-19	AN816-6D	NIPPLE							1	
	MS20823-6D	ELBOW REPLACES AN816-6D ELBOW IN DIRECTIONAL							1	
		GYRO WITH HSI INSTL								
-20	S1495-6	HOSE-12.0 IN LG BKI REF S1499-6L-12.00							1	
		DIRECTIONAL GYRO TO RELIEF VALVE								
-21	S1495-6	HOSE-7.25 IN LG BKI REF S1499-6L-7.25							1	
		DIRECTIONAL GYRO TO RELIEF VALVE USED WITH NAV-O-MATIC								
-22	MS20822-6D	ELBOW							1	
-23	MS20823-6D	ELBOW NAV-O-MATIC							1	
-24	S1495-6	HOSE-12.5 IN LG BKI REF S1499-6L-12.50							1	
		DIRECTIONAL GYRO TO FILTER								
-25	C294502-0201	FILTER-VACUUM AIR							1	
		ATTACHING PARTS								
-26	AN3-34A	BOLT							1	
-27	S1450-3A32-050	WASHER							1	
-28	1201075-4	BRACKET ASSY-FILTER							1	
		ATTACHING PARTS								
-29	AN3-3A	BOLT							2	
-30	NAS680A3	NUTPLATE							1	
-31	C431003-0102	PUMP ASSY-VACUUM							1	
	C431003-0302	PUMP ASSY-VACUUM ALT							1	
-32		LOCATOR-TUBE FSD S2363-3							1	
-33		TUBE ASSY-PUMP ABNE FSD S2363-3							1	
		TUBE ASSY-PUMP ALT ABNE FSD S2363-3							1	
-33A	S2363-3	ELBOW							1	
-34	IK1-6-10	ELBOW ABNE							1	
-35	S51-10	HOSE-12.0 IN LG BKI REF S51-10-48							1	
		VACUUM PUMP TO RELIEF VALVE								
-36	S1494-16	CLAMP							2	
-37	C482001-0401	VALVE ASSY-VACUUM RELIEF							1	
		ATTACHING PARTS								
-38	AN924-10D	NUT							1	
-39	AN960PDI416L	WASHER							2	
	C482001-0202	FILTER-RELIEF VALVE							1	
<p>NOTE. *THESE GYROS ARE PHYSICALLY &amp; FUNCTIONALLY INTERCHANGEABLE.</p> <p>NOTE. **THESE GYROS ARE PHYSICALLY &amp; FUNCTIONALLY INTERCHANGEABLE.</p> <p>A---182 SERIAL 18265966 THRU 18267715 F182 SERIAL F18200065 THRU F18200169</p>										

# 182 & T182 Parts Catalog

## Vacuum System (Cont)



182 & T182 SERIAL 18267716 THRU 18268293

Figure 180. Vacuum System

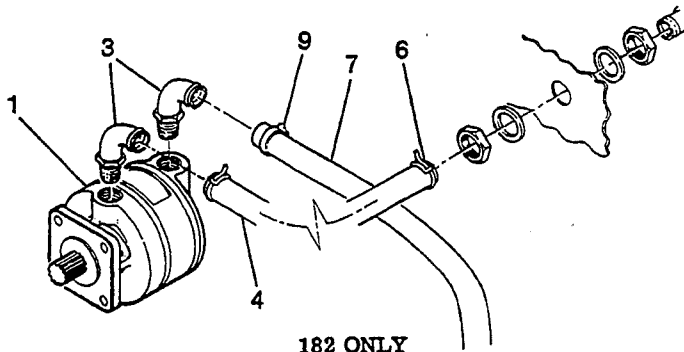
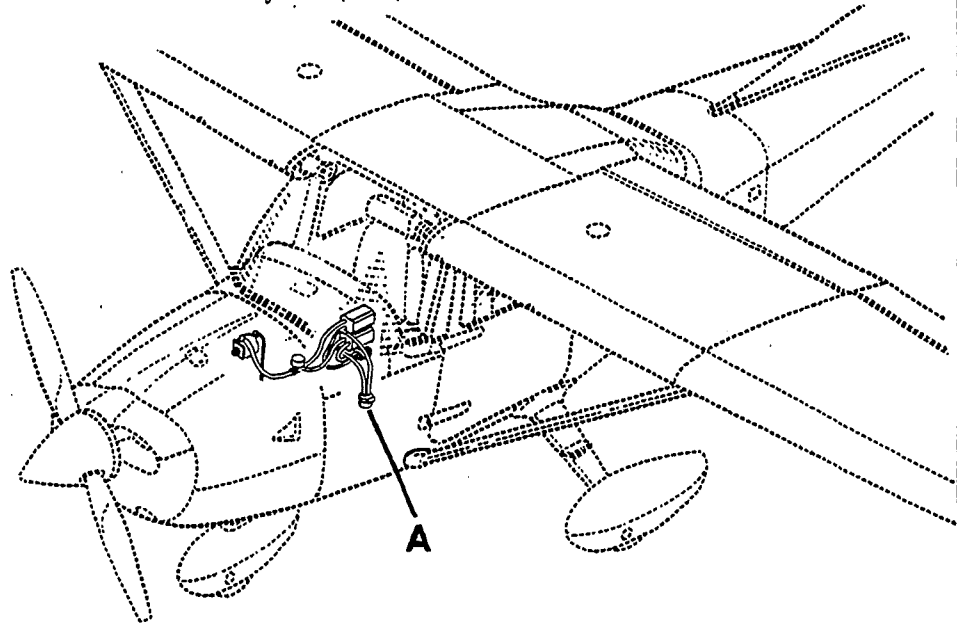
# 182 & T182 Parts Catalog

FIGURE AND INDEX NO.	PART NUMBER	DESCRIPTION							UNITS PER ASSY	USABLE ON CODE
		1	2	3	4	5	6	7		
180 -		VACUUM SYSTEM -----							NP	A
- 1		TUBE ASSY	ABNE	182 ONLY	FSO	S2363-3			1	
		TUBE ASSY	ABNE	182 ONLY	ALT	FSO S2363-3			1	
- 1A	S2363-3	ELBOW							1	
- 2		LOCATOR-TUBE		182 ONLY	FSO	S2363-3			1	
- 3	C431003-0102	PUMP-VACUUM		182 ONLY					1	
	C431003-0302	PUMP-VACUUM		ALT					1	
- 4	S2363-2	TUBE ASSY		T182 ONLY					1	
- 5	C431003-0101	PUMP VACUUM		T182 ONLY					1	
	C431003-0302	PUMP VACUUM		ALT					1	
- 6	S2363-2	ELBOW							1	
- 7	S51-10-48	HOSE-12.00 IN LG	BKI	REF S51-10-48		182 ONLY			1	
- 8	S51-10-90	HOSE-22.50 IN LG	BKI	REF S51-10-90		T182 ONLY			1	
		ATTACHING PARTS								
- 9	S1494-16	CLAMP							2	
		-----*								
-10	C482001-0401	VALVE-VACUUM RELIEF							1	
		ATTACHING PARTS								
-11	AN960PD1416L	WASHER							2	
-12	AN924-10D	NUT							1	
		-----*								
	C482001-0202	FILTER-VACUUM RELIEF							1	
-13	S2501-6	HOSE-10.50 IN LG	BKI						2	
		ATTACHING PARTS								
-14	S1494-6	CLAMP							1	
		-----*								
-15	S2502-3	CONNECTOR							1	
	S2506-1	PLUG		INSTALL IN HOLE MARKED GAGE					1	
	S2502-1	CONNECTOR		REPLACES S2506-1 PLUG WITH HSI INSTL					1	
-16	S2503-1	ELBOW							1	
-17	C668509-0101	GAGE-SUCTION							1	
-18	S2501-4	HOSE-13.50 IN LG	BKI						1	
	S1495-4	HOSE-13.50 IN LG	BKI	ALT					1	
	S2501-4	HOSE-18.50 IN LG	BKI	WITH HSI INSTL					1	
-19	S2501-4	HOSE-8.00 IN LG	BKI						1	
	S1495-4	HOSE-8.00 IN LG	BKI	ALT					1	
-20	S2357-1	CLAMP							2	
-21	S2502-1	CONNECTOR							1	
-22	S2502-3	CONNECTOR							1	
-23	S2503-2	ELBOW							1	
-24	S2501-6	HOSE-10.50 IN LG	BKI						1	
-25	S2501-6	HOSE-6.00 IN LG	BKI						2	
-26	S2504-1	TEE							1	
-27	C294502-0201	FILTER-VACUUM AIR							1	
		ATTACHING PARTS								
-28	AN3-34A	BOLT							1	
-29	S1450-3A32-050	WASHER							1	
		-----*								
-30	1201075-4	BRACKET ASSY							1	
		ATTACHING PARTS								
-31	AN3-3A	BOLT							2	
		-----*								
-32	NAS680A3	NUTPLATE							1	
-33		GYRO-HORIZON		SEE INSTRUMENT PANEL					1	
-34		GYRO-DIRECTIONAL		SEE INSTRUMENT PANEL					1	

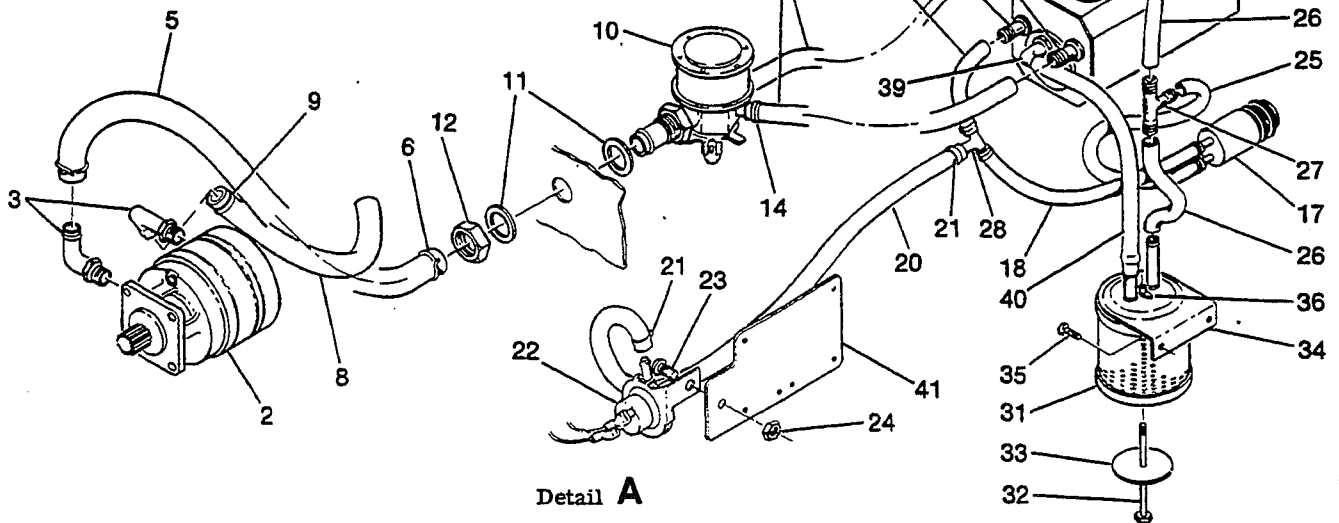
A---182 & T182 SERIAL 18267726 THRU 18268293

# 182 & T182 Parts Catalog

## Vacuum System (Cont)



**182 ONLY**



**Detail A**

**182 & T182 SERIAL 18268294 & ON**

Figure 180A. Vacuum System



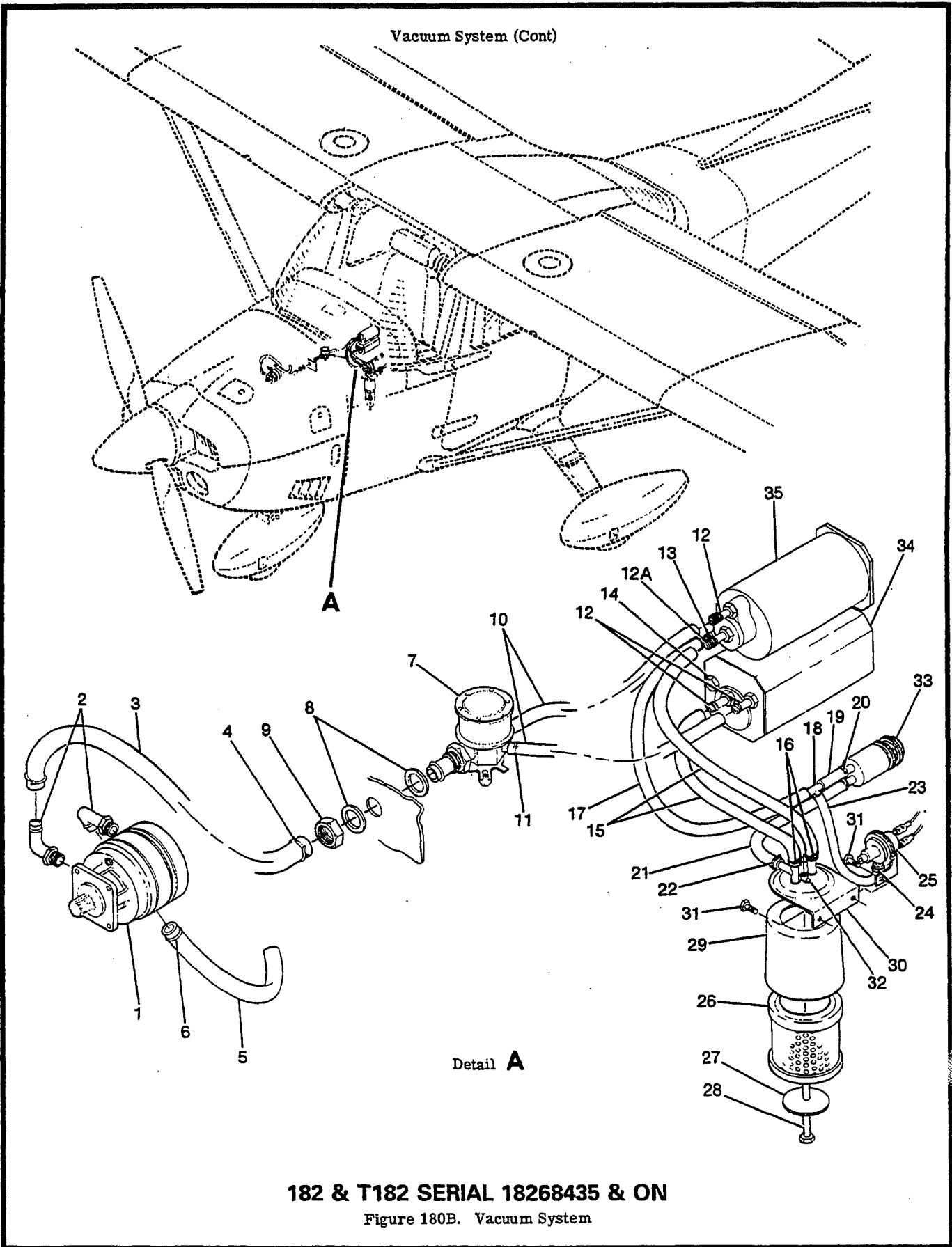
# 182 & T182 Parts Catalog

FIGURE AND INDEX NO.	PART NUMBER	DESCRIPTION							UNITS PER ASSY	USABLE ON CODE
		1	2	3	4	5	6	7		
180A-		VACUUM SYSTEM -----							NP	A
- 1	C431003-0102	PUMP-VACUUM 182 ONLY -----							1	
	C431003-0302	PUMP-VACUUM ALT -----							1	
- 2	C431003-0101	PUMP-VACUUM T182 ONLY -----							1	
	C431003-0302	PUMP-VACUUM ALT -----							1	
- 3	S2363-2	ELBOW -----							2	
- 4	S51-10-48	HOSE-12.00 IN LG BKI REF S51-10-48 182 ONLY -----							1	
- 5	S51-10-90	HOSE-22.50 IN LG BKI REF S51-10-90 T182 ONLY -----							1	
- 6	S1494-16	ATTACHING PARTS -----							2	
		CLAMP -----								
- 7	S2548-10	HOSE-20.00 IN LG BKI REF S2548-10-20.00 182 ONLY -----							1	
- 8	S2548-10	HOSE-6.00 IN LG BKI REF S2548-10-6.00 T182 ONLY -----							1	
		ATTACHING PARTS -----								
- 9	S2209-2	TIE -----							1	
		-----*								
-10	C482001-0401	VALVE-VACUUM RELIEF -----							1	
		ATTACHING PARTS -----								
-11	AN960PD1416L	WASHER -----							2	
-12	AN924-10D	NUT -----							1	
		-----*								
	C482001-0202	FILTER-VACUUM RELIEF -----							1	
-13	S2501-6	HOSE-10.50 IN LG BKI REF S2501-6-10.50 -----							2	
		ATTACHING PARTS -----								
-14	S1494-6	CLAMP -----							1	
		-----*								
-15	S2502-3	CONNECTOR -----							1	
	S2506-1	PLUG INSTALL IN HOLE MARKED GAGE -----							1	
	S2502-1	CONNECTOR REPLACES S2506-1 PLUG WITH HSI INSTL -----							1	
-16	S2503-1	ELBOW -----							1	
-17	C668509-0101	GAGE-SUCTION -----							1	
-18	S2501-4	HOSE-9.00 IN LG BKI REF S2501-4-9.00 -----							1	
	S1495-4	HOSE-9.00 IN LG BKI REF S1495-4-9.00 ALT -----							1	
-19	S2501-4	HOSE-4.00 IN LG BKI REF S2501-4-4.00 -----							1	
	S1495-4	HOSE-4.00 IN LG BKI REF S1495-4-4.00 ALT -----							1	
-20	S1800-1	HOSE-18.00 IN LG BKI REF S1800-1-18.00 -----							1	
		ATTACHING PARTS -----								
-21	S2209-1	TIE -----							4	
		-----*								
-22	S2571-2	SWITCH-VACUUM -----							1	
		ATTACHING PARTS -----								
-23	AN520-416R8	SCREW -----							1	
-24	MS20364-428	NUT -----							1	
		-----*								
-25	S2501-4	HOSE-8.00 IN LG BKI REF S2501-4-8.00 -----							1	
	S1495-4	HOSE-8.00 IN LG BKI REF S1495-4-8.00 ALT -----							1	
-26	S2501-6	HOSE-6.00 IN LG BKI REF S2501-6-6.00 -----							2	
-27	S2504-1	TEE -----							1	
-28	S2504-3	TEE -----							1	
-29	S2502-1	CONNECTOR -----							1	
-30	S2502-3	CONNECTOR -----							1	
-31	C294502-0201	FILTER-VACUUM AIR -----							1	
		ATTACHING PARTS -----								
-32	AN3-34A	BOLT -----							1	
-33	S1450-3A32-050	WASHER -----							1	
		-----*								
-34	1201075-4	BRACKET ASSY -----							1	
		ATTACHING PARTS -----								
-35	AN3-3A	BOLT -----							2	
		-----*								
-36	NAS680A3	NUTPLATE -----							1	
-37		GYRO-HORIZON SEE INSTRUMENT PANEL -----							1	
-38		GYRO-DIRECTIONAL SEE INSTRUMENT PANEL -----							1	
-39	S2503-2	ELBOW -----							1	
-40	S2501-6	HOSE 10.50 IN LG BKI -----							1	
-41	2213128-1	SUPPORT-TERMINAL BLOCK & LOW VACUUM SWITCH -----							1	

A---182 & T182 SERIAL 18268294 THRU 18268434

# 182 & T182 Parts Catalog

Vacuum System (Cont)



182 & T182 SERIAL 18268435 & ON

Figure 180B. Vacuum System

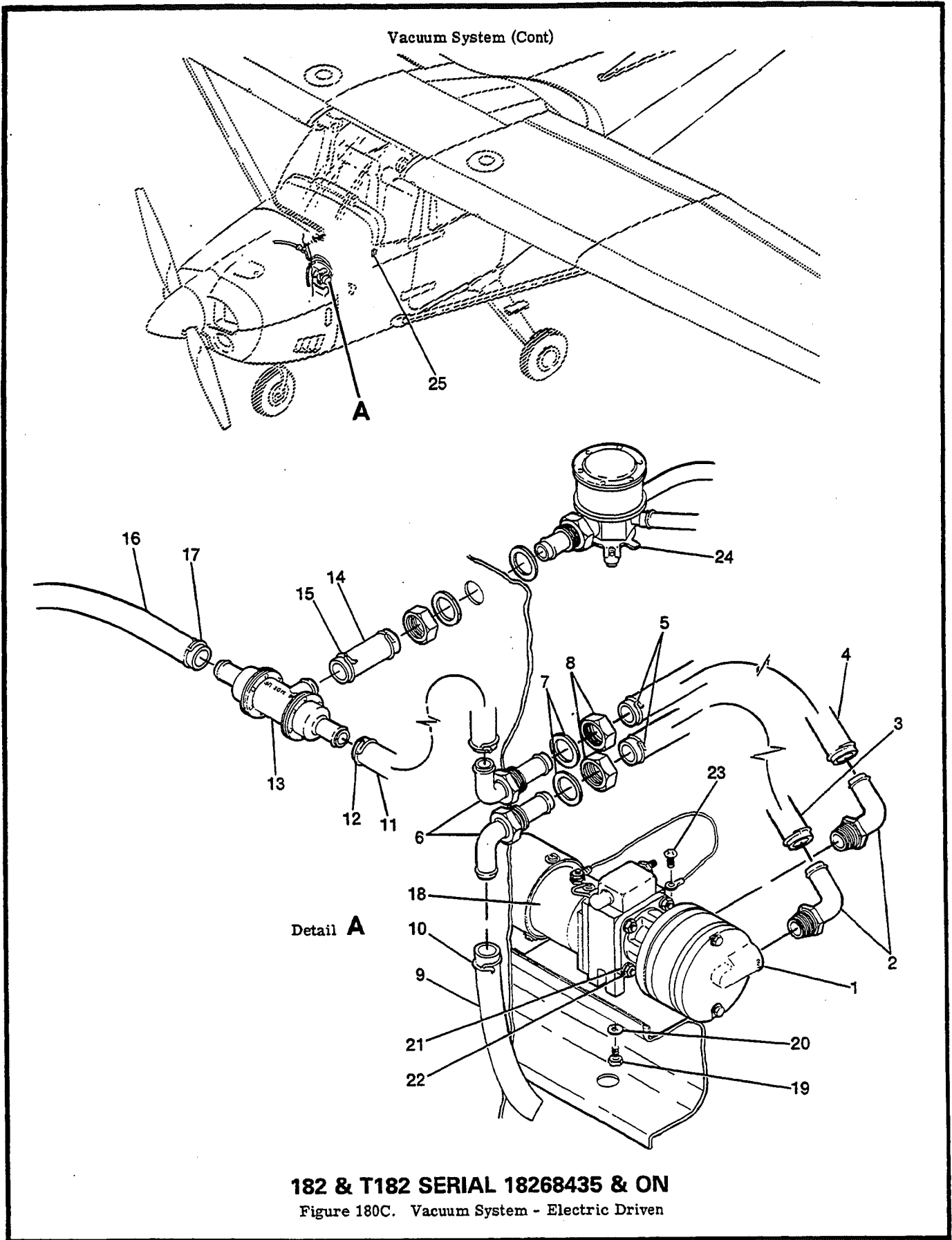
# 182 & T182 Parts Catalog

FIGURE AND INDEX NO.	PART NUMBER	DESCRIPTION							UNITS PER ASSY	USABLE ON CODE
		1	2	3	4	5	6	7		
180B-		VACUUM SYSTEM -----							NP	A
- 1	C431003-0102	PUMP-VACUUM -----							1	
	C431003-0302	PUMP-VACUUM ALT -----							1	
- 2	S2363-2	ELBOW -----							2	
- 3	S51-10-90	HOSE-22.50 IN LG BKI REF S51-10-90-22.50 IN LG -----							1	
		ATTACHING PARTS -----								
- 4	S1494-16	CLAMP -----							2	
		*-----								
- 5	S2548-10	HOSE-6.00 IN LG BKI REF S2548-10-6.00 IN LG -----							1	
		ATTACHING PARTS -----								
- 6	S2209-2	TIE -----							1	
		*-----								
- 7	C482001-0401	VALVE-VACUUM RELIEF -----							1	
		ATTACHING PARTS -----								
- 8	AN960PD1416L	WASHER -----							2	
- 9	AN924-10D	NUT -----							1	
		*-----								
-10	S2501-6	HOSE-10.50 IN LG BKI REF S2501-6-10.50 IN LG -----							2	
		ATTACHING PARTS -----								
-11	S1494-10	CLAMP -----							1	
		*-----								
-12	S2502-3	CONNECTOR -----							3	
-12A	S2502-5	CONNECTOR -----							1	
-13	S2502-1	CONNECTOR -----							1	
-14	S2506-1	PLUG -----							1	
-15	S2501-6	HOSE-16.00 IN LG BKI REF S2501-6-16.00 IN LG -----							2	
		ATTACHING PARTS -----								
-16	S1494-10	CLAMP -----							1	
		*-----								
-17	S2501-4	HOSE-14.75 IN LG BKI REF S2501-4-14.75 IN LG -----							1	
-18	S2504-3	TEE -----							1	
-19	S2501-4	HOSE-1.50 IN LG BKI REF S2501-4-1.50 IN LG -----							1	
		ATTACHING PARTS -----								
-20	S1494-7	CLAMP -----							1	
		*-----								
-21	S2501-4	HOSE-10.00 IN LG BKI REF S2501-4-10.00 IN LG -----							1	
		ATTACHING PARTS -----								
-22	S1494-7	CLAMP -----							2	
		*-----								
-23	S1800-1	HOSE-12.00 IN LG BKI S1800-1-12.00 IN LG -----							1	
		ATTACHING PARTS -----								
-24	S2209-1	STA STRAP -----							1	
		*-----								
-25	S2571-2	SWITCH-VACUUM -----							1	
-26	C294502-0201	FILTER-VACUUM AIR -----							1	
		ATTACHING PARTS -----								
-27	AN3-34A	BOLT -----							1	
-28	S1450-3A32-050	WASHER -----							1	
		*-----								
-29	0513439-1	COVER-FILTER -----							1	
-30	1201075-4	BRACKET ASSY -----							1	
		ATTACHING PARTS -----								
-31	AN3-3A	BOLT -----							2	
		*-----								
-32	NAS680A3	NUTPLATE -----							1	
-33	C668509-0101	GAGE-SUCTION -----							1	
-34		GYRO-DIRECTIONAL SEE INSTRUMENT PANEL -----							1	
-35		GYRO-HORIZON SEE INSTRUMENT PANEL -----							1	

A---182 & T182 SERIAL 18268435 & ON

# 182 & T182 Parts Catalog

## Vacuum System (Cont)



**182 & T182 SERIAL 18268435 & ON**  
Figure 180C. Vacuum System - Electric Driven

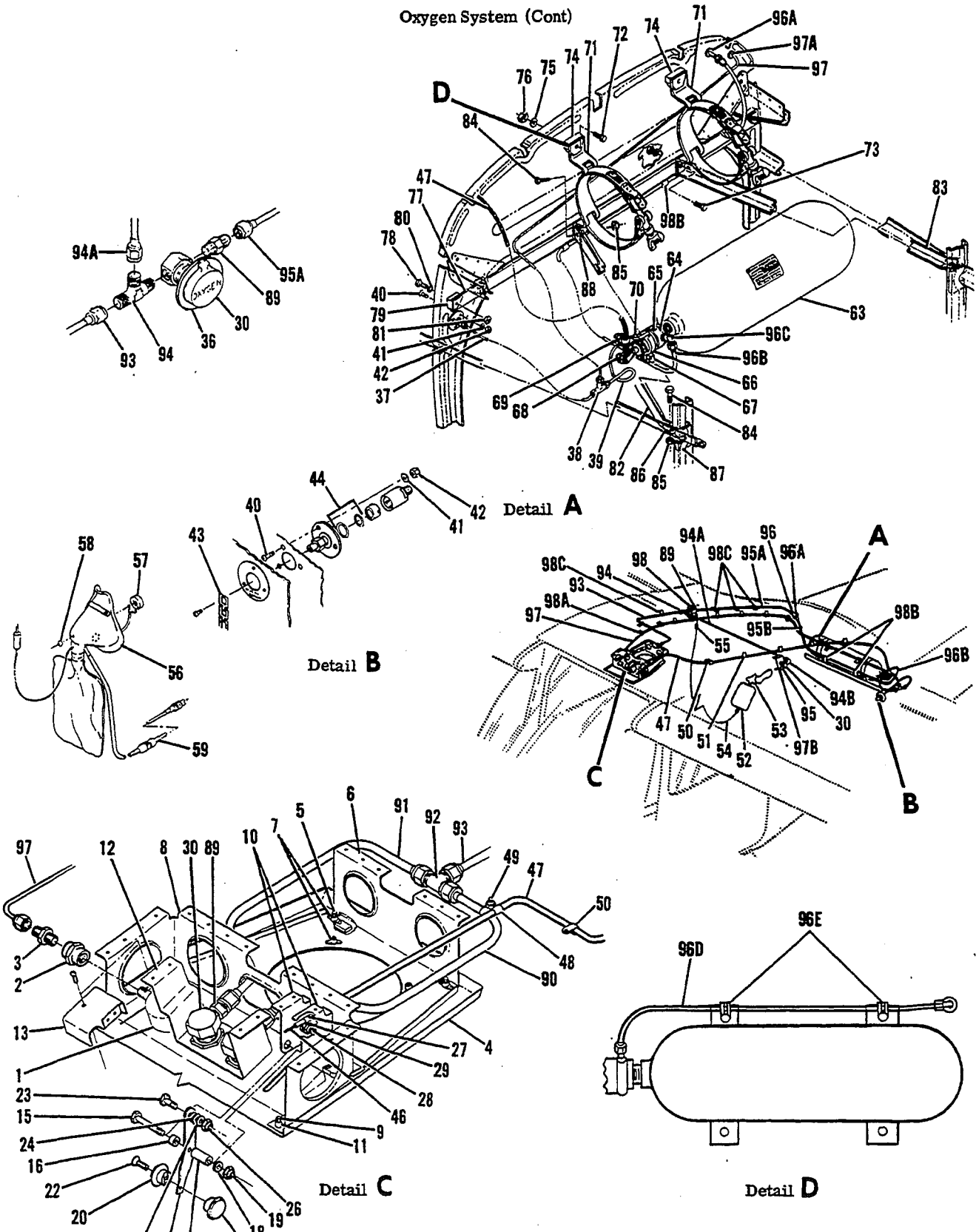
# 182 & T182 Parts Catalog

FIGURE AND INDEX NO.	PART NUMBER	DESCRIPTION							UNITS PER ASSY	USABLE ON CODE
		1	2	3	4	5	6	7		
180C-		VACUUM SYSTEM-ELECTRIC DRIVEN -----							NP	A
- 1	C431003-0102	PUMP-VACUUM -----							1	
	C431003-0302	PUMP-VACUUM ALT -----							1	
- 2	S2363-2	ELBOW -----							2	
- 3	S2554-10	HOSE 13.00 IN LG BKI -----							1	
- 4	S2554-10	HOSE 11.00 IN LG BKI -----							1	
		ATTACHING PARTS -----								
- 5	S1494-16	CLAMP -----							2	
		*-----								
- 6	9880514-1	FITTING ASSY-BULKHEAD -----							2	
		ATTACHING PARTS -----								
- 7	AN960PD1416	WASHER -----							1	
- 8	AN924-10	NUT -----							1	
		*-----								
- 9	S2554-10	HOSE 6.00 IN LG BKI -----							1	
		ATTACHING PARTS -----								
-10	S1494-16	CLAMP -----							1	
		*-----								
-11	S2554-10	HOSE 13.50 IN LG BKI -----							1	
		ATTACHING PARTS -----								
-12	S1494-16	CLAMP -----							2	
	S2209-2	TIE FASTEN TO ENGINE MOUNT -----							1	
		*-----								
-13	1H5-23	CHECK VALVE-VACUUM MANIFOLD -----							1	
	9881015-1	CHECK VALVE-VACUUM MANIFOLD ALT -----							1	
	9881015-2	CHECK VALVE-VACUUM MANIFOLD ALT -----							1	
-14	S2554-10	HOSE 2.50 IN LG BKI -----							1	
		ATTACHING PARTS -----								
-15	S1494-16	CLAMP -----							2	
		*-----								
-16	S2554-10	HOSE 11.00 IN LG BKI -----							1	
		ATTACHING PARTS -----								
-17	S1494-16	CLAMP -----							2	
		*-----								
-18	C165008-0101	MOTOR & GEARBOX ASSY-VACUUM -----							1	
		ATTACHING PARTS -----								
-19	AN4-4A	BOLT-FWD -----							2	
-20	AN936A416	WASHER-FWD -----							2	
	AN4H4	BOLT-AFT -----							2	
	AN960-10	WASHER-AFT -----							2	
		*-----								
-21	MS35333-40	LOCK WASHER -----							4	
-22	AN345-416	NUT -----							4	
-23	AN520-6R8	SCREW GROUND WIRE ATTACH -----							1	
	AN315-640R	NUT GROUND WIRE ATTACH -----							1	
-24	SEE FIG 180B	VACUUM -----							1	
-25		SWITCH/CIRCUIT BREAKER SEE INSTRUMENT PANEL -----							1	

A---182 & T182 SERIAL 18268435 & ON

# 182 & T182 Parts Catalog

## Oxygen System (Cont)



182 SERIAL 18262466 THRU 18264295

Figure 181. Oxygen System

# 182 & T182 Parts Catalog

FIGURE AND INDEX NO.	PART NUMBER	DESCRIPTION	UNITS PER ASSY							USABLE ON CODE	
			1	2	3	4	5	6	7		
181 -		OXYGEN SYSTEM -----								MP	A
- 1	C166010-0101	GAGE ASSY-OXYGEN PRESSURE -----								1	
	C166010-0103	BEZEL -----								1	
	C166010-0102	GAGE -----								1	
- 2	AN910-1	COUPLING -----								1	
- 3	S2037-1	NIPPLE -----								1	
- 4	SEE FIG 188	COVER-SPEAKER OVERHEAD CONSOLE WITH OXYGEN -----								1	
- 5	AN507-832R12	SCREW -----								5	
- 6	1211077-5	SUPPORT ASSY-SPEAKER -----								1	
- 7	NAS697A08	NUTPLATE -----								6	
- 8	1211076-2	BRACKET ASSY-SPEAKER COVER SUPPORT -----								1	
		ATTACHING PARTS									
- 9	AN515-8-8	SCREW -----								2	
		-----*									
-10	1211089-2	BRACKET -----								2	
-11	NAS696A08	NUTPLATE -----								2	
	NAS697A08	NUTPLATE -----								3	
-12	1211054-2	BRACKET-OXYGEN OUTLET -----								1	
-13	1211048-1	SUPPORT-OXYGEN GAGE -----								1	
-14	1211090-1	LEVER-OXYGEN CONTROL -----								1	
		ATTACHING PARTS									
-15	AN3-13A	BOLT -----								1	
-16	NAS43DD3-13	SPACER INBD -----								1	
-17	NAS43DD3-45	SPACER OUTBD -----								1	
-18	AN960-10	WASHER -----								1	
-19	MS21044N3	NUT -----								1	
		-----*									
-20	S1953-3	KNOB-OXYGEN CONTROL -----								1	
-21	S1953-1	KNOB ASSY-OXYGEN CONTROL -----								1	
		ATTACHING PARTS									
-22	AN507DD440R8	SCREW -----								1	
		-----*									
-23	S2323-5	CLAMP -----								1	
-24	NAS43DD3-6	SPACER -----								1	
-25	AN960-10	WASHER -----								2	
-26	MS21044N3	NUT -----								1	
-27	AN742D3	CLAMP -----								1	
		ATTACHING PARTS									
-28	AN3-5A	BOLT -----								1	
	NAS43DD3-9	SPACER -----								1	
	AN960-10	WASHER -----								1	
-29	MS21044N3	NUT -----								1	
		-----*									
-30	C166006-0109	VALVE OUTLET ASSY-OXYGEN -----								4	
-31		DELETED NOT AVAILABLE -----									
-32		DELETED NOT AVAILABLE -----									
-33		DELETED NOT AVAILABLE -----									
-34		DELETED NOT AVAILABLE -----									
-35		DELETED NOT AVAILABLE -----									
-36	1200415-7	ESCUTCHEON -----								1	
-37	S1721-12	LINE ASSY -----								1	
-38	S1724-1	TEE -----								1	
-39	S1723-5	LINE ASSY -----								1	
	C166008-0101	VALVE ASSY-FILLER REMOTE OXYGEN -----								1	
		ATTACHING PARTS									
-40	AN525-832R8	SCREW -----								3	
-41	AN960D8	WASHER -----								3	
-42	MS21044N08	NUT -----								3	
		-----*									
-43	S1520-1	CAP & CHAIN ASSY -----								1	
-44	C166008-0103	O-RING REPAIR KIT -----								1	
-45		DELETED NOT PROCURABLE -----									

CONTINUED ON NEXT PAGE

# 182 & T182 Parts Catalog

FIGURE AND INDEX NO.	PART NUMBER	DESCRIPTION							UNITS PER ASSY	USABLE ON CODE
		1	2	3	4	5	6	7		
181 -46	S1398-1	WIRE-CONTROL	102.00	IN	LG	BKI	REF S1398-1-102.00	1		
-47	S1398-2	CASING-CONTROL	99.00	IN	LG	BKI	REF S1398-2-99.00	1		
		ATTACHING PARTS								
-48	S1155-3	CLAMP						2		
-49	AN520-10R8	SCREW						1		
	AN345-10	NUT						1		
-50	S1155-3	CLAMP						2		
	S1021Z10-6	SCREW						2		
-51	S1153-3	CLAMP						4		
	S1021Z8-8	SCREW						4		
		*-----*								
	0800030-19	CASE ASSY-OXYGEN MASK					NOT ILLUSTRATED	4		
-52	C166005-0204	MASK & LINE ASSY-PASSENGER						3		
-53	C166005-0205	MASK ASSY						1		
	C166005-0504	LINE & FITTING ASSY-PASSENGER	8,000-14,000	FT				1		
-54	ZH716	HOSE ASSY	ZEPA					1		
-55	ZH727-8	LINE & FITTING ASSY-8,000-14,000 FT	ZEPA					1		
	C166005-0707	MASK & LINE ASSY-PILOT					WITH MICROPHONE	1		
-56	C166009-0703	MASK ASSY						1		
-57	64881-00	MICROPHONE						1		
-58	Z736	NUT						1		
	C166005-0705	LINE & FITTING ASSY	14,000-22,000	FT				1		
-59	ZH716	HOSE ASSY	ZEPA					1		
-60		DELETED NOT PROCURABLE								
-61		DELETED NOT PROCURABLE								
-62		DELETED NOT PROCURABLE								
-63	C166001-0601	CYLINDER & REGULATOR ASSY-OXYGEN						1		
-64	C166002-0401	REGULATOR ASSY-OXYGEN						1		
	12-4862	PLUG						1		
-65	AN932-S2	PLUG						2		
-66	91-8000AC	BRACKET ASSY	ZEPA					1		
		ATTACHING PARTS								
-67	97NTE-048	NUT	ZEPA					1		
	16-2000C	BOLT	ZEPA					1		
		*-----*								
-68	10-8001C	NUT	ZEPA					1		
	16-8375C	SET SCREW	ZEPA					1		
-69	10-8001C	NUT	ZEPA					1		
	16-8500C	SET SCREW	ZEPA					1		
-70	ZF604	ADAPTER	ZEPA					1		
-71	C166007-0105	BRACKET ASSY-CYLINDER MOUNTING						2		
		ATTACHING PARTS								
-72	AN3-12A	BOLT	UPPER ONLY					1	B C	
	AN3-13A	BOLT	UPPER ONLY					1		
-73	AN3-4A	BOLT	LOWER ONLY					1		
-74	0700696-2	SPACER	UPPER ONLY					1		
-75	AN970-3	WASHER	UPPER & LOWER					2		
-76	MS21044N3	NUT	UPPER & LOWER					2		
		*-----*								
-77	0712508-1	CHANNEL-OXYGEN CYLINDER SUPPORT						1		
		ATTACHING PARTS								
-78	AN3-12A	BOLT						4		
-79	0700696-1	SPACER						4		
-80	AN970-3	WASHER						4		
-81	MS21044N3	NUT						4		
		*-----*								
-82	0712755-1	SUPPORT-OXYGEN BOTTLE LH						1		
-83	0712755-2	SUPPORT-OXYGEN BOTTLE RH						1		
		ATTACHING PARTS								
-84	AN3-4A	BOLT						2		
-85	MS21044N3	NUT						2		
		*-----*								
-86	0712754-1	BRACKET-OXYGEN BOTTLE SUPPORT LH						1		
	0712754-2	BRACKET-OXYGEN BOTTLE SUPPORT RH						1		
-87	0712753-1	BRACKET-BULKHEAD LH						1		
	0712753-2	BRACKET-BULKHEAD RH						1		
-88	0712756-1	CLIP-OXYGEN BOTTLE SUPPORT LH						1		
	0712756-2	CLIP-OXYGEN BOTTLE SUPPORT RH						1		

CONTINUED ON NEXT PAGE



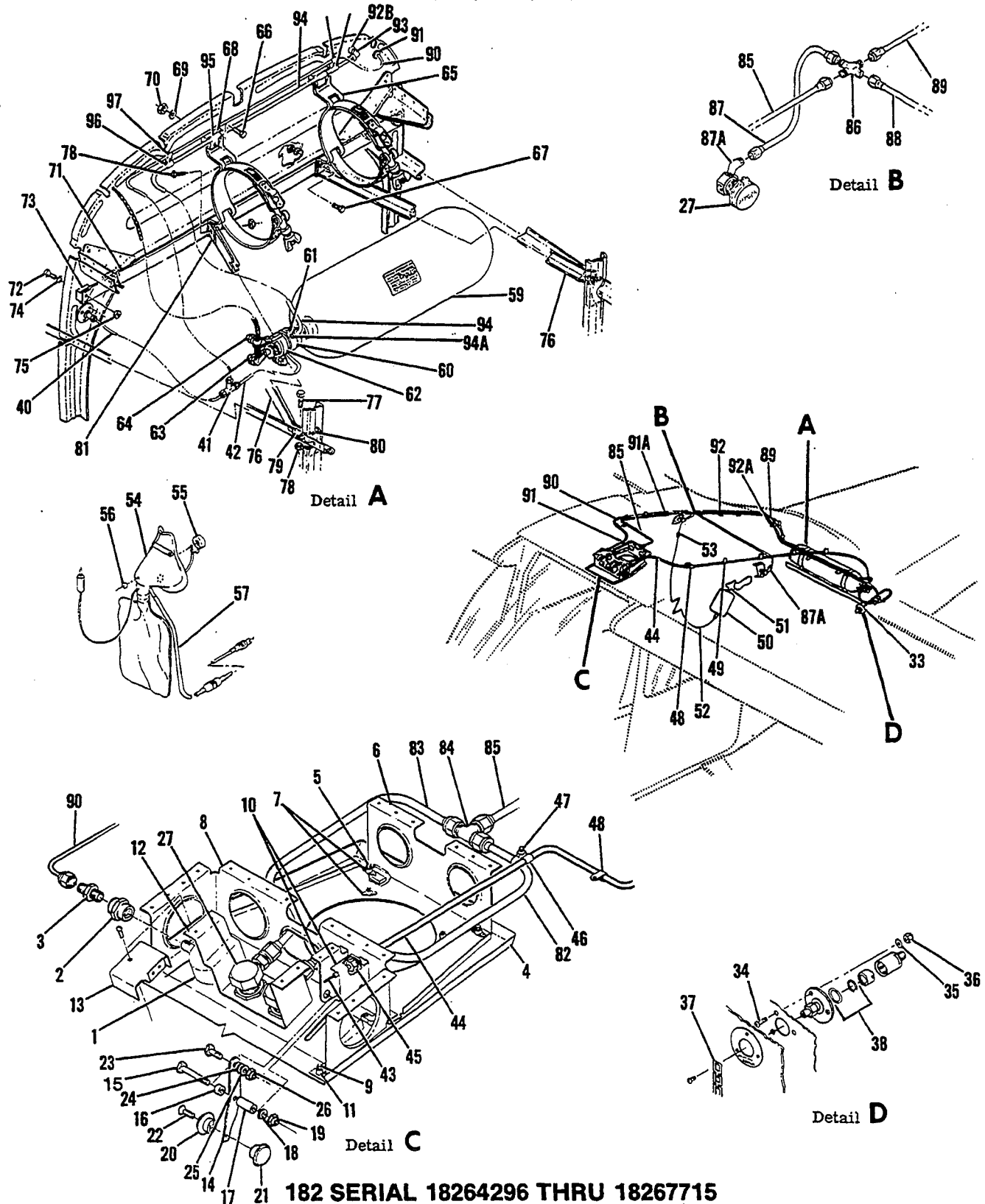
# 182 & T182 Parts Catalog

FIGURE AND INDEX NO.	PART NUMBER	DESCRIPTION							UNITS PER ASSY	USABLE ON CODE	
		1	2	3	4	5	6	7			
181	-89	AN816-4D	NIPPLE -----							3	
	-90	1200417-51	LINE ASSY -----							1	
	-91	1200417-52	LINE ASSY -----							1	
	-92	AN824-4D	TEE -----							1	
	-93	1200417-69	LINE ASSY -----							1	
	-94	MS20826-4D	TEE -----							1	
	-94A	1200417-17	LINE ASSY -----							1	B C
		1200417-95	LINE ASSY -----							1	
			ATTACHING PARTS								
		S1155-4	CLAMP -----							2	C C
		S1021Z10-6	SCREW -----							2	
			*-----								
	-94B	MS20822-4D	ELBOW -----							1	B C
		AN816-4D	NIPPLE -----							1	
	-95	MS20913-10	PLUG -----							1	
	-95A	1200417-85	LINE ASSY -----							1	
	-95B	AN821-4D	ELBOW -----							1	
	-96	S292-14	SLEEVING -----							1	
	-96A	MS35489-13S	GROMMET -----							1	
	-96B	1200417-84	LINE ASSY -----							1	B
	-96C	MS20822-4D	ELBOW -----							1	
	-96D	1200417-94	LINE ASSY -----							1	C C
	-96E	MS21919DG4	CLAMP -----							2	
	-97	S1722	LINE ASSY 140.00 IN LG BKI REF S1722-144.00 IN LG							1	
	-97A	MS35489-2S	GROMMET -----							1	
	-97B	0700730-1	BRACKET-OXYGEN OUTLET LH -----							1	
	-98	0700730-2	BRACKET-OXYGEN OUTLET RH -----							1	
	-98A	S1155-2	CLAMP -----							8	
			ATTACHING PARTS								
		S1021Z6-6	SCREW -----							1	
		*-----									
-98B	MS21919DG4	CLAMP -----							2		
		ATTACHING PARTS									
	S1021Z8-6	SCREW -----							1		
		*-----									
-98C	S1155-4	CLAMP -----							4		
		ATTACHING PARTS									
	S1021Z8-8	SCREW -----							1		
		*-----									
-98D	0770750-254	CABLE ASSY-OXYGEN MASK MICROPHONE -----							1		

A---182 SERIAL 18262466 THRU 18264295  
 B---182 SERIAL 18262466 THRU 18263475  
 C---182 SERIAL 18263476 THRU 18264295

# 182 & T182 Parts Catalog

## Oxygen System (Cont)



**182 SERIAL 18264296 THRU 18267715**  
**F182 SERIAL F1820001 THRU F18200169**

Figure 182. Oxygen System

# 182 & T182 Parts Catalog

FIGURE AND INDEX NO.	PART NUMBER	DESCRIPTION							UNITS PER ASSY	USABLE ON CODE
		1	2	3	4	5	6	7		
182 -		OXYGEN SYSTEM -----							NP	A
- 1	C166010-0107	GAGE ASSY-OXYGEN PRESSURE -----							1	
	C166010-0103	BEZEL -----							1	
	C166010-0102	GAGE -----							1	
- 2	AN910-1	COUPLING -----							1	
- 3	S2037-1	NIPPLE -----							1	
- 4	SEE FIG 188	COVER-SPEAKER OVERHEAD CONSOLE WITH OXYGEN -----							1	
		ATTACHING PARTS -----								
- 5	AN507-832R12	SCREW -----							5	
		*-----								
- 6	1211077-5	SUPPORT ASSY-SPEAKER -----							1	
- 7	NAS697A08	NUTPLATE -----							6	
- 8	1211076-2	BRACKET ASSY-SPEAKER COVER SUPPORT -----							1	
		ATTACHING PARTS -----								
- 9	AN515-8-8	SCREW -----							2	
		*-----								
-10	1211089-2	BRACKET -----							2	
-11	NAS696A08	NUTPLATE -----							2	
	NAS697A08	NUTPLATE -----							3	
-12	1211054-2	BRACKET-OXYGEN OUTLET -----							1	
-13	1211048-1	SUPPORT-OXYGEN GAGE -----							1	
-14	1211090-1	LEVER-OXYGEN CONTROL -----							1	
		ATTACHING PARTS -----								
-15	AN3-13A	BOLT -----							1	
-16	NAS43DD3-13	SPACER INBD -----							1	
-17	NAS43DD3-45	SPACER OUTBD -----							1	
-18	AN960-10	WASHER -----							1	
-19	MS21044N3	NUT -----							1	
		*-----								
-20	S1953-3	KNOB-OXYGEN CONTROL -----							1	
-21	S1953-1	KNOB ASSY-OXYGEN CONTROL -----							1	
		ATTACHING PARTS -----								
-22	AN507DD40R8	SCREW -----							1	
		*-----								
-23	S2323-5	CLAMP -----							1	
-24	NAS43DD3-6	SPACER -----							1	
-25	AN960-10	WASHER -----							2	
-26	MS21044N3	NUT -----							1	
-27	C166006-0109	VALVE OUTLET ASSY-OXYGEN -----							4	
	C166006-0201	VALVE OUTLET ASSY-OXYGEN -----							4	
	AN932C2	PLUG -----							4	
-28		DELETED NOT AVAILABLE -----								
-29		DELETED NOT AVAILABLE -----								
-30		DELETED NOT AVAILABLE -----								
-31		DELETED NOT AVAILABLE -----								
-32		DELETED NOT AVAILABLE -----								
-33	C166008-0101	VALVE ASSY-FILLER REMOTE OXYGEN -----							1	
		ATTACHING PARTS -----								
-34	AN525-832R8	SCREW -----							3	
-35	AN960D8	WASHER -----							3	
-36	MS21044A08	NUT -----							3	
		*-----								
-37	S1520-1	CAP & CHAIN ASSY -----							1	
-38	C166008-0103	O-RING REPAIR KIT -----							1	
-39		DELETED NOT PROCURABLE -----								
-40	S1721-12	LINE ASSY -----							1	
-41	S1724-1	TEE -----							1	
-42	S1723-5	LINE ASSY -----							1	

CONTINUED ON NEXT PAGE

# 182 & T182 Parts Catalog

FIGURE AND INDEX NO.	PART NUMBER	DESCRIPTION	UNITS PER ASSY							USABLE ON CODE
			1	2	3	4	5	6	7	
182 -43	S1398-1	WIRE-CONTROL 102.00 IN LG BKI REF S1398-1-102.00	1							
-44	S1398-2	CASING-CONTROL WIRE 99.0 IN LG BKI REF S1398-2-1-99.0	1							
		ATTACHING PARTS								
-45	S1283-1	NUT -----	2							
	AN960-10	WASHER -----	2							
-46	S1155-3	CLAMP -----	1							
	S1155-4	CLAMP -----	1							
-47	S1021Z10-8	SCREW -----	1							
	AN446-4	NUT -----	1							
-48	S1155-3	CLAMP -----	1							
	S1021Z10-6	SCREW -----	1							
-49	S1155-3	CLAMP -----	4							
	S1021Z8-8	SCREW -----	4							
		-----*								
	0800030-19	CASE ASSY-OXYGEN MASK NOT ILLUSTRATED -----	4							
-50	C166005-0204	MASK & LINE ASSY-PASSENGER -----	3							D
	C166005-0208	MASK & LINE ASSY-PASSENGER -----	3							E
-51	C166005-0205	MASK ASSY -----	1							
	C166005-0504	LINE & FITTING ASSY-PASSENGER 8,000-14,000 FT -----	1							D
	C166005-0607	LINE & FITTING ASSY-PASSENGER 8,000-14,000 FT -----	1							E
-52	ZH716	HOSE ASSY ZEPA -----	1							
-53	ZH727-8	LINE & FITTING ASSY-8,000-14,000 FT ZEPA -----	1							
	C166005-0707	MASK & LINE ASSY-PILOT WITH MICROPHONE -----	1							D
	C166005-0608	MASK & LINE ASSY-PILOT WITH MICROPHONE -----	1							E
-54	C166005-0703	MASK ASSY -----	1							D
	C166009-0703	MASK ASSY -----	1							E
-55	64881-00	MICROPHONE -----	1							
-56	Z736	NUT -----	1							
-57	C166005-0705	LINE & FITTING ASSY 14,000-20,000 FT -----	1							D
	C166005-0606	LINE & FITTING ASSY 14,000-20,000 FT -----	1							E
-58		DELETED NOT PROCURABLE -----								
-59	C166001-0601	CYLINDER & REGULATOR ASSY-OXYGEN -----	1							
-60	C166002-0401	REGULATOR ASSY-OXYGEN -----	1							
-61	12-4862	PLUG -----	1							
	AN932-S2	PLUG -----	2							
-62	91-8000AC	BRACKET ASSY ZEPA -----	1							
		ATTACHING PARTS								
	97NNT-048	NUT ZEPA -----	1							
	16-2000C	BOLT ZEPA -----	1							
		-----*								
-63	10-8001C	NUT ZEPA -----	1							
	16-8375C	SET SCREW ZEPA -----	1							
-64	10-8001C	NUT ZEPA -----	1							
	16-8500C	SET SCREW ZEPA -----	1							
	ZF604	ADAPTER ZEPA -----	1							
-65	C166007-0105	BRACKET ASSY-CYLINDER MOUNTING -----	2							
		ATTACHING PARTS								
-66	AN3-13A	BOLT UPPER ONLY -----	2							
-67	AN3-4A	BOLT LOWER ONLY -----	2							
-68	0700696-2	SPACER UPPER ONLY -----	2							
-69	AN970-3	WASHER 2 UPPER & 2 LOWER -----	4							
-70	MS21044N3	NUT 2 UPPER & 2 LOWER -----	4							
		-----*								
-71	0712508-1	CHANNEL-OXYGEN CYLINDER SUPPORT -----	1							
		ATTACHING PARTS								
-72	AN3-12A	BOLT -----	4							
-73	0700696-1	SPACER -----	4							
-74	AN970-3	WASHER -----	4							
-75	MS21044N3	NUT -----	4							
		-----*								
-76	0712755-1	SUPPORT-OXYGEN BOTTLE LH -----	1							
	0712755-2	SUPPORT-OXYGEN BOTTLE RH -----	1							
		ATTACHING PARTS								
-77	AN3-4A	BOLT -----	2							
-78	MS21044N3	NUT -----	2							
		-----*								
-79	0712754-1	BRACKET-OXYGEN BOTTLE SUPPORT LH -----	1							
	0712754-2	BRACKET-OXYGEN BOTTLE SUPPORT RH -----	1							

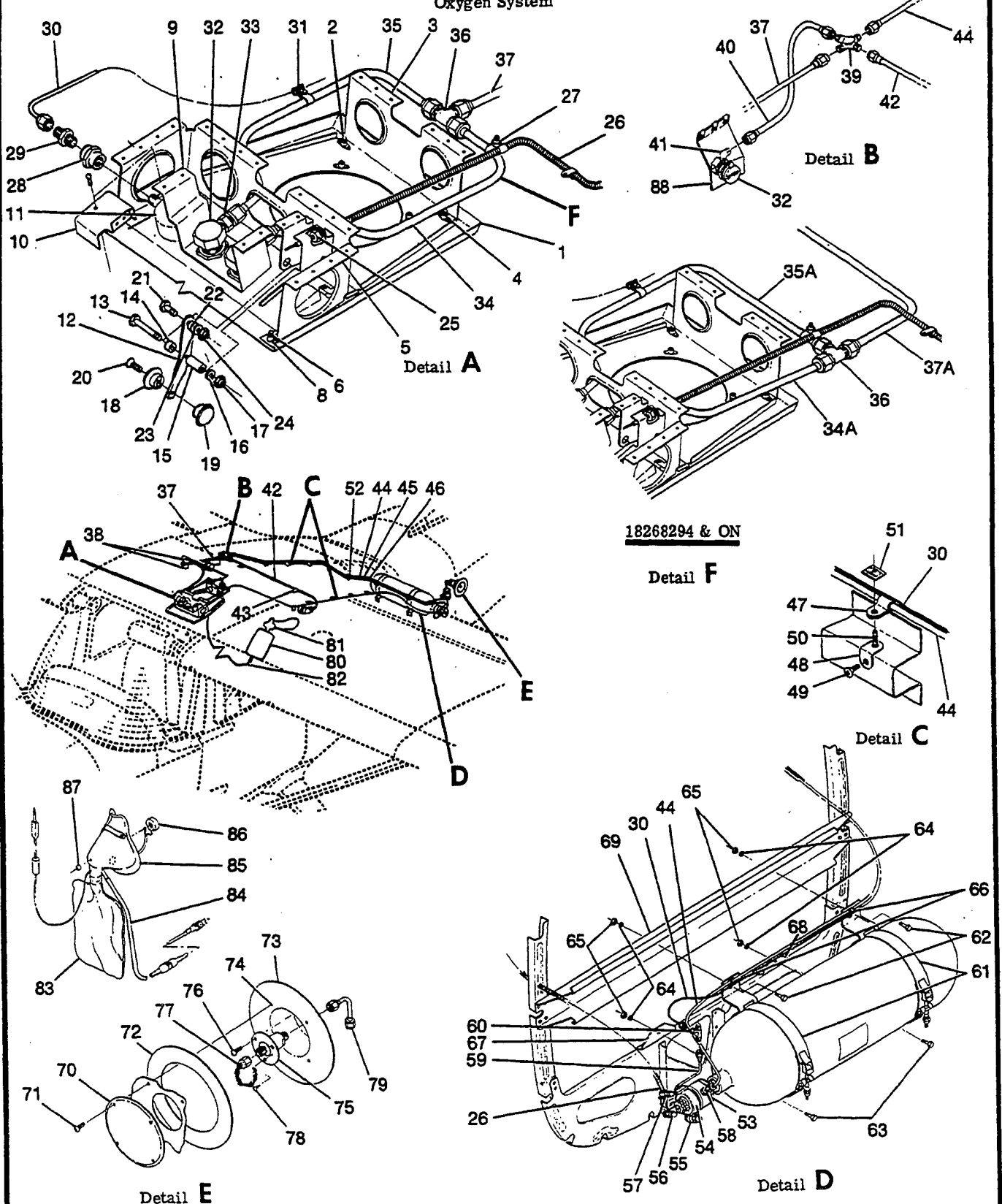
CONTINUED ON NEXT PAGE

# 182 & T182 Parts Catalog

FIGURE AND INDEX NO.	PART NUMBER	DESCRIPTION							UNITS PER ASSY	USABLE ON CODE
		1	2	3	4	5	6	7		
182 -80	0712753-1	BRACKET-BULKHEAD LH -----							1	
	0712753-2	BRACKET-BULKHEAD RH -----							1	
-81	0712756-1	CLIP-OXYGEN BOTTLE SUPPORT LH -----							1	
	0712756-2	CLIP-OXYGEN BOTTLE SUPPORT RH -----							1	
-82	1200417-51	LINE ASSY -----							1	
-83	1200417-52	LINE ASSY -----							1	
-84	AN824-4D	TEE -----							1	
-85	1200417-102	LINE ASSY -----							1	
-86	AN827-4D	CROSS FITTING -----							1	
-87	1200417-100	LINE ASSY-RH -----							1	F G
	1200417-119	LINE ASSY-RH -----							1	
-87A	MS20823-4B	ELBOW -----							2	
-88	1200417-101	LINE ASSY-LH -----							1	F G
	1200417-120	LINE ASSY-LH -----							1	
-89	1200417-99	LINE ASSY -----							1	
-90	S1722-125	LINE ASSY -----							1	
-91	S1155-2	CLAMP -----							1	
	S1155-4	CLAMP -----							1	
	S1021Z10-8	SCREW -----							1	
	NAS446-4	NUT -----							1	
-91A	S2209-1	TIE-NYLON -----							AR	
-92	S1155-4	CLAMP -----							4	
	S1022Z8-10	SCREW -----							3	
	S1022Z8-8	SCREW -----							1	
	NAS446-4	NUT -----							3	
-92A	AN743-12	BRACKET -----							3	
-92B	MS35489-14S	GROMMET -----							1	
-92C	MS35489-13S	GROMMET -----							1	
-92C	MS35489-2S	GROMMET -----							1	
-93	AN821-4D	ELBOW -----							1	
-94	1200417-94	LINE ASSY -----							1	
-94A	AN816-4D	NIPPLE -----							1	
-95	MS21919DG4	CLAMP -----							2	
-96	S1155-4	CLAMP -----							2	
-97	S1155-2	CLAMP -----							2	
		ATTACHING PARTS								
	S1021Z10-8	SCREW -----							2	
	NAS446-4	NUT -----							2	
		-----*								
		A---182 SERIAL 18264296 THRU 18267715 F182 SERIAL F18200001 THRU F18200169 B---182 SERIAL 18264296 THRU 18267083 F182 SERIAL F18200001 THRU F18200129 C---182 SERIAL 18267084 THRU 18267715 F182 SERIAL F18200130 THRU F18200169 D---182 SERIAL 18264296 THRU 18267080 F182 SERIAL F18200001 THRU F18200129 E---182 SERIAL 18267081 THRU 18267715 F182 SERIAL F18200130 THRU F18200169 F---182 SERIAL 18262466 THRU 18267300 F182 SERIAL F18200001 THRU F18200129 G---182 SERIAL 18267301 THRU 18267715 F182 SERIAL F18200130 THRU F18200169								

# 182 & T182 Parts Catalog

## Oxygen System



18268294 & ON

**182 & T182 SERIAL 18267716 & ON**  
 Figure 183. Oxygen System Installation

# 182 & T182 Parts Catalog

FIGURE AND INDEX NO.	PART NUMBER	DESCRIPTION							UNITS PER ASSY	USABLE ON CODE
		1	2	3	4	5	6	7		
183 -		OXYGEN SYSTEM INSTALLATION -----							NP	A
- 1	SEE FIG 188	COVER ASSY-SPEAKER WITH OXYGEN -----							1	
- 2	AN507-832R12	ATTACHING PARTS SCREW -----							5	
- 3	1211077-5	SUPPORT ASSY-SPEAKER -----							1	
- 4	NAS697A08	NUTPLATE -----							6	
- 5	1211076-2	BRACKET ASSY-SPEAKER COVER SUPPORT -----							1	
- 6	AN515-8-8	ATTACHING PARTS SCREW -----							2	
- 7	1211089-2	BRACKET -----							2	
- 8	NAS696A08	NUTPLATE -----							2	
	NAS697A08	NUTPLATE -----							3	
- 9	1211054-3	BRACKET-OXYGEN OUTLET -----							1	
-10	2210031-1	SUPPORT-OXYGEN GAGE -----							1	
-11	C166010-0109	GAGE ASSY-OXYGEN PRESSURE -----							1	
	C166010-01021	GAGE -----							1	
-12	1211090-1	LEVER -----							1	
		ATTACHING PARTS								
-13	AN3-13A	BOLT -----							1	
-14	NAS43DD3-13	SPACER -----							1	
-15	NAS43DD3-45	SPACER -----							1	
-16	AN960-10	WASHER -----							1	
-17	MS21044N3	NUT -----							1	
-18	S1953-3	KNOB -----							1	
-19	S1953-1	KNOB ASSY -----							1	
		ATTACHING PARTS								
-20	AN507DD440R8	SCREW -----							1	
-21	S2323-5	CLAMP -----							1	
-22	NAS43DD3-6	SPACER -----							1	
-23	AN960-10	WASHER -----							2	
-24	MS21044N3	NUT -----							1	
-25	S1283-1	NUT -----							2	
	AN960-10	WASHER -----							2	
-26	S1398-1	CONTROL WIRE-125.00 IN LG BKI REF S1398-1-125.00 -----							1	
	S1398-2	CONTROL HOUSING-119.00 IN LG BKI REF S1398-2-119.00 -----							1	
-27	S1155-3	CLAMP -----							1	
	S1155-4	CLAMP -----							1	
	S1021Z10-8	SCREW -----							1	
	NAS446-4	NUT -----							1	
-28	AN910-1	COUPLING -----							1	
-29	O800045-11	NUT -----							1	
-30	S1722-145	LINE ASSY-PRESSURE GAGE TO REGULATOR -----							1	
-31	S1155-4	CLAMP -----							1	
	S1155-2	CLAMP -----							1	
	S1021Z10-8	SCREW -----							1	
	NAS446-4	NUT -----							1	
-32	C166006-0201	VALVE OUTLET-OXYGEN -----							4	
-33	AN816-4B	NIPPLE-AFT PORT FWD OXYGEN OUTLETS -----							2	
	AN932C2	PLUG-FWD PORT -----							4	
-34	1200417-51	LINE ASSY-LH OUTLET TO TEE -----							1	
-34A	1200417-127	LINE ASSY-LH OUTLET TO TEE -----							1	
-35	1200417-52	LINE ASSY-RH OUTLET TO TEE -----							1	
-35A	1200417-128	LINE ASSY-RH OUTLET TO TEE -----							1	
-36	AN824-4D	TEE -----							1	
-37	1200417-115	LINE ASSY-OXYGEN SUPPLY TEE TO CROSS -----							1	
-37A	1200417-129	LINE ASSY-OXYGEN SUPPLY TEE TO CROSS -----							1	
-38	S1155-4	CLAMP-OXYGEN SUPPLY LINE RH SIDE -----							2	
	S1155-3	CLAMP-OXYGEN SUPPLY LINE LH SIDE -----							1	
	S1021Z8-8	SCREW -----							3	
-39	AN827-4D	CROSS -----							1	
-40	1200417-119	LINE ASSY-CROSS TO RH OXYGEN OUTLET -----							1	
-41	MS20823-4B	ELBOW -----							2	
-42	1200417-120	LINE ASSY-CROSS TO LH OXYGEN OUTLET -----							1	
-43	S1155-4	CLAMP -----							2	
	S1021Z8-8	SCREW -----							2	
-44	1200417-105	LINE ASSY-OXYGEN SUPPLY CROSS TO UNION -----							1	
-45	AN815-4D	UNION -----							1	
-46	1200417-104	LINE ASSY-OXYGEN SUPPLY UNION TO CYLINDER -----							1	

CONTINUED ON NEXT PAGE

# 182 & T182 Parts Catalog

FIGURE AND INDEX NO.	PART NUMBER	DESCRIPTION	UNITS PER ASSY							USABLE ON CODE				
			1	2	3	4	5	6	7					
183 -47	S1155-4 S1155-3	CLAMP USED WITH OXYGEN SUPPLY LINE ----- CLAMP USED WITH CONTROL CABLE ----- ATTACHING PARTS -----								3 4				
-48	AN743-12	BRACKET -----									1			
-49	S102278-8	SCREW -----									1			
-50	S102278-10	SCREW -----									1			
-51	NAS446-4	NUT -----									1			
-52	MS35489-14S C166001-0601	GROMMET ----- CYLINDER & REGULATOR ASSY -----										1		
-53	C166002-0401 12-4862	REGULATOR ASSY ----- PLUG -----										1		
	AN932-52	PLUG -----										1		
-54	91-8000AC	BRACKET ASSY ZEPA ----- ATTACHING PARTS -----											1	
-55	97NNTB-048 16-2000C	BOLT ZEPA ----- NUT ZEPA -----											1	
-56	10-8001C 168375C	NUT ZEPA ----- SETSCREW ZEPA -----											1	
-57	10-8001C 168500C	NUT ZEPA ----- SETSCREW ZEPA -----											1	
	ZF604	ADAPTOR INSTALLED IN HIGH PRESSURE SAFETY PORT ZEPA -----											1	
-58	AN816-4D	NIPPLE -----											1	
-59	S1723-10	LINE ASSY REGULATOR TO TEE -----											1	
-60	S1724-1 S1520-1	TEE ----- CAP USED WHEN BOTTLE NOT INSTALLED -----											1	
-61	C166007-0102	BRACKET ASSY-CYLINDER MOUNT ----- ATTACHING PARTS -----											2	
-62	AN3-6A	BOLT-UPPER -----											1	
-63	AN3-5A	BOLT-LOWER -----											1	
-64	AN960-10	WASHER -----											2	
-65	MS21044N3	NUT -----											2	
-66	MS21919DG4	CLAMP -----											2	
-67	0701130-1	BRACKET -----											1	
-68	0701130-2	BRACKET -----											1	
-69	2201007-1	SUPPORT -----											1	
-70	1200429-12	COVER-FILLER ACCESS ----- ATTACHING PARTS -----											1	
-71	AN515-6R6	SCREW -----											4	
-72	200429-13	SPACER -----											1	
-73	1200429-15	ADAPTOR ASSY -----											1	
-74	NAS697A08 NAS697A06L	NUTPLATE ----- NUTPLATE -----											4 3	
-75	C166008-0101	FILLER VALVE ASSY ----- ATTACHING PARTS -----											1	
-76	AN515-8R8	SCREW -----											3	
-77	S1520-1 C166008-0103	CAP & CHAIN ASSY ----- O-RING REPAIR KIT -----											1	
-78	S1021A4-6	SCREW -----											1	
-79	S1721-3	LINE ASSY FILLER VALVE TO TEE -----											1	
-80	C16605-0605	MASK & LINE ASSY-PASSENGER -----											3	
-81	C166009-0701	MASK ASSY -----											1	
-82	C166005-0606	LINE ASSY-PASSENGER 14,000 TO 22,000 FT -----											1	
-83	C16605-0609	MASK & LINE ASSY-PILOT WITH MICROPHONE -----											1	
-84	C166005-0603	LINE ASSY 22,000 TO 30,000 FT -----											1	
-85	C166005-0703	MASK ASSY -----											1	
-86	64881-00	MICROPHONE -----											1	
-87	Z736	NUT -----											1	
-88	C800030-19 0711829-6 0711829-5	CASE ASSY-OXYGEN MASK NOT ILLUSTRATED ----- BRACKET ASSY-AIR VENT RH ----- BRACKET ASSY-AIR VENT LH -----												1 1 1

A---182 & T182 SERIAL 18267716 & ON  
 B---182 & T182 SERIAL 18267716 THRU 18268293  
 C---182 & T182 SERIAL 18268294 & ON



# 182 & T182 Parts Catalog

FIGURE AND INDEX NO.	PART NUMBER	DESCRIPTION							UNITS PER ASSY	USABLE ON CODE
		1	2	3	4	5	6	7		
184 -		<b>ELECTRICAL EQUIPMENT INSTALLATION 12 VOLT</b>							NP	A
- 1	0711779-1	<	ESCUTCHEON-DOME LIGHT					1		
			ATTACHING PARTS							
	S1021A8-6		SCREW					1		
	AN525-8R7		SCREW					2		
	S1831-1		SWITCH-DOME LIGHT					1		
			ATTACHING PARTS							
	AN515-4R4		SCREW					2		
	S1893-1		BASE-DOME LIGHT					1		
	S1876-1		LAMP-DOME LIGHT					1		
	1706015-2		LENS-DOME LIGHT					1		
- 2	S1831-1		SWITCH-UTILITY					1		
			ATTACHING PARTS							
- 3	AN5154R4		SCREW					2		
- 4			DELETED NEVER USED							
- 5	SEE FIG 186		INSTRUMENT PANEL LIGHTS INSTALLATION					1		
- 6	SEE FIG 196		LANDING LIGHTS INSTALLATION					1		
- 7	1670056-2		HORN ASSY-STALL WARNING					1		
			ATTACHING PARTS							
	AN507B632R12		SCREW					4		
- 8	S1991-1		CONTACTOR-STARTER					1		
			ATTACHING PARTS							
	AN4-4A		BOLT					2		
	AN960-416L		WASHER					2		
- 9	0770610PA8		CABLE STARTER CONTACTOR TO STARTER					1		
	C611001-0101		REGULATOR-VOLTAGE WEU C611001-0102					1		
	C611001-0102		REGULATOR-VOLTAGE					1		
			ATTACHING PARTS							
	AN520-416R8		SCREW					2		
-10	1250211-4		PLUG ASSY-VOLTAGE REGULATOR					1		
-11	0752611-1		DOOR ASSY-POWER RECEPTACLE					1		
-12	0552161-4		DOOR ASSY-POWER RECEPTACLE					1		
-12A	S1115-30		STUD					2		
	S1115-9		RING					2		
	S1115-1		STUD					1		
	S1115-9		RING					1		
-13	0752610-1		DOUBLER ASSY					1		
-13A	0552161-2		DOUBLER ASSY					1		
-14	S1115-19		RECEPTACLE-STUD					2		
-14A	S1115-19		RECEPTACLE-STUD					1		
-15	MS3506-1		RECEPTACLE-EXTERNAL POWER					1		
			ATTACHING PARTS							
-16	AN509-10R14		SCREW					2		
-17	MS21044N3		NUT					2		
-18	0312155-10		GROUND STRAP					1		
-19	0701036-2		BRACKET-RECEPTACLE SUPPORT					1		
			ATTACHING PARTS							
-20	NAS17383B		RIVET					3		
-21	MS25171-3S		NIPPLE					1		
-22	1570043-3		DIODE BOARD-EXTERNAL POWER					1		
-23	NAS43DD3-8		SPACER					1		
-24	S1660-1		CONTACTOR-EXTERNAL POWER 12 VOLT					1		
			ATTACHING PARTS							
-25	AN520-416R8		SCREW					2		
-26	S1807-1		COVER-TERMINAL					2		
	S1693-2		STA-STRAP					2		
-27	0770610PC2		CABLE RECEPTACLE TO CONTACTOR					1		
-28	0770610PA13		CABLE CONTACTOR TO STARTER CONTACTOR					1		
-29	SEE FIG 189		FLASHING BEACON INSTALLATION					1		
-30	SEE FIG 190		COURTESY LIGHT INSTALLATION					1		
-31	SEE FIG 191		ALTERNATOR INSTALLATION-SHOCK MOUNTED					1		
-32	0770719-2		DIODE-MASTER SWITCH					1		
	1570043-9		DIODE-MASTER SWITCH					1		

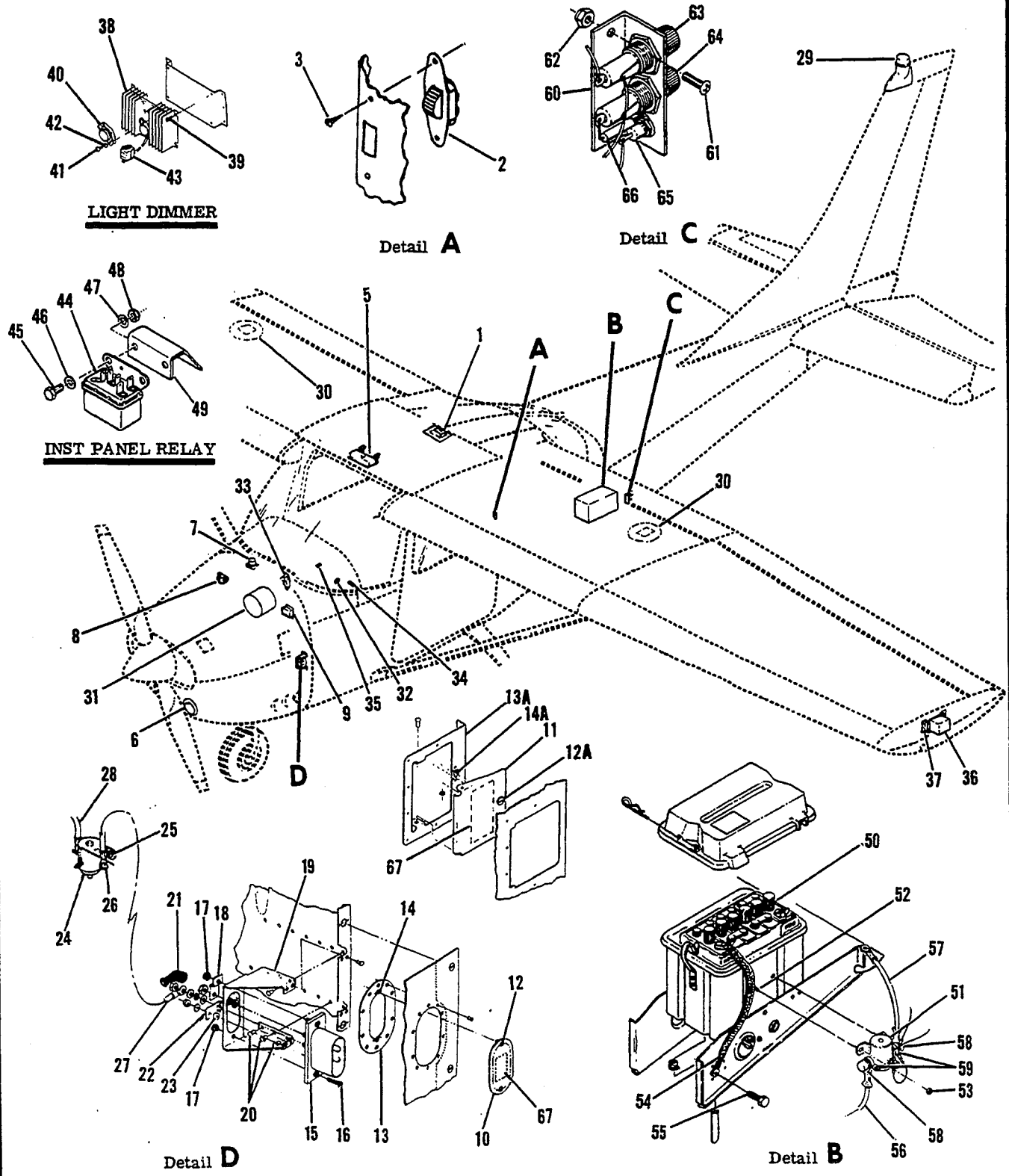
CONTINUED ON NEXT PAGE

D E F F F F F F F F

B C

# 182 & T182 Parts Catalog

## Electrical Equipment



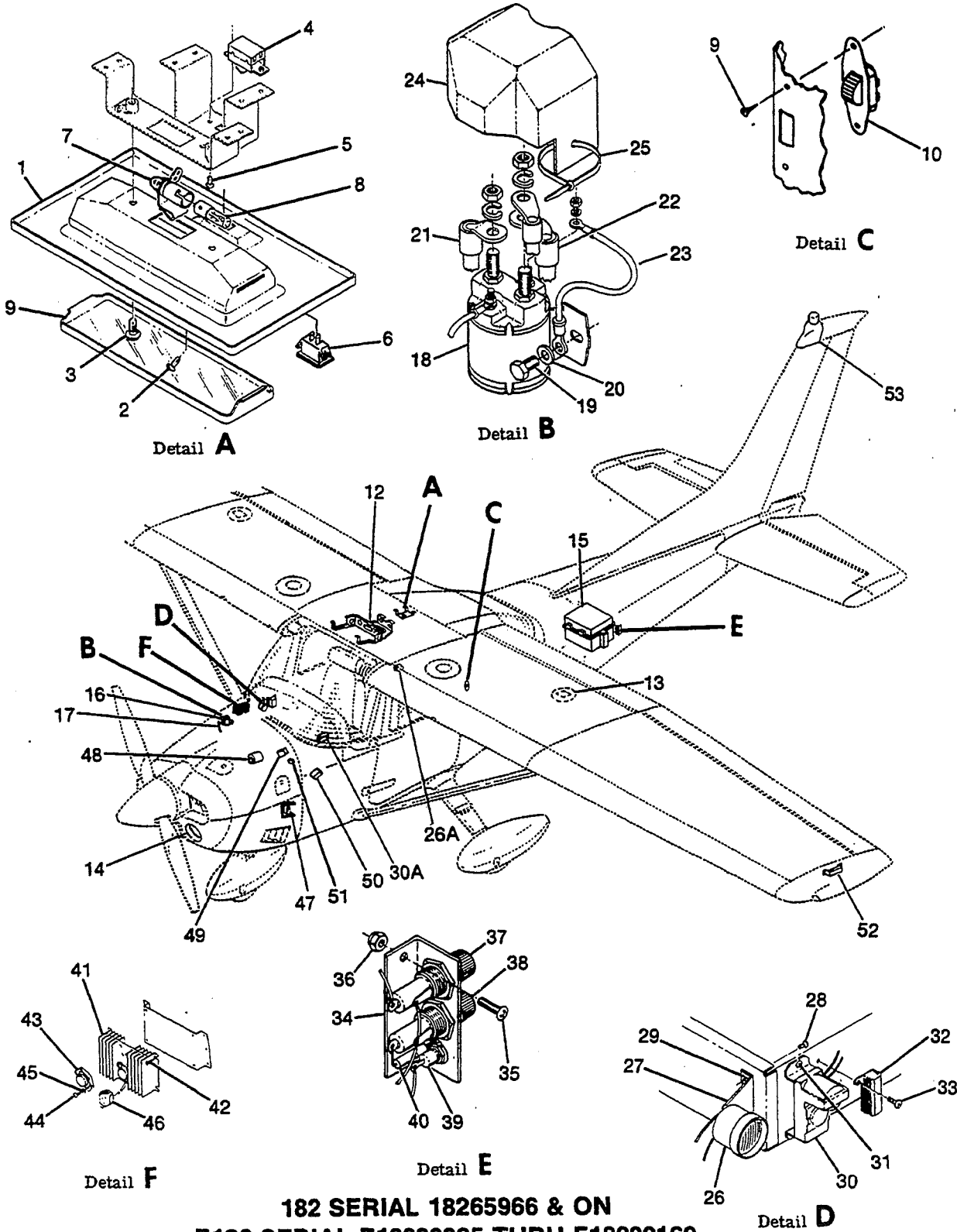
182 SERIAL 18262466 THRU 18265965  
 F182 SERIAL F18200001 THRU F18200064  
 Figure 184. Electrical Equipment Installation

# 182 & T182 Parts Catalog

FIGURE AND INDEX NO.	PART NUMBER	DESCRIPTION							UNITS PER ASSY	USABLE ON CODE
		1	2	3	4	5	6	7		
184 -33 -34	C613001-0201	POWER SUPPLY-ELECTROLUMINESCENT PANEL -----							1	
	C593001-0101	SENSOR-OVERVOLTAGE -----							1	
	CM679-2	ATTACHING PARTS -----								
		TIE STRAP -----							1	
		*-----								
-35	34002-55	TERMINAL BLOCK TRANSISTORIZED LIGHT -----							1	
		ATTACHING PARTS -----								
	AN507-6R8	SCREW -----							1	
	AN936A6	WASHER -----							2	
	NAS679A06	NUT -----							1	
		*-----								
-36	C622007-0101	POWER SUPPLY-STROBE LIGHT WEU C622008-0101 -----							2	
	C622008-0101	POWER SUPPLY-STROBE LIGHT -----							2	
		ATTACHING PARTS -----								
	AN520-10R7	SCREW -----							4	
		*-----								
-37	1620075-3	BRACKET ASSY-STROBE LIGHT POWER SUPPLY -----							4	
	NAS686A3K	NUTPLATE -----							2	
-38	1570166-1	DIMMING ASSY-TRANSISTORIZED LIGHTING -----							1	
		ATTACHING PARTS -----								
-39	AN520-10R6	SCREW -----							4	
	AN960-10L	WASHER -----							4	
		*-----								
-40	2N3055	TRANSISTOR RCA -----							1	
		ATTACHING PARTS -----								
-41	S1021Z6-8	SCREW -----							2	
-42	AN960-10L	WASHER -----							2	
		*-----								
-43	S1641-6	HOUSING-SOCKET -----							1	
-44	S1917-1	RELAY-SPLIT BUS BAR -----							1	
		ATTACHING PARTS -----								
-45	AN4-5A	BOLT -----							2	
-46	AN960-416L	WASHER -----							2	
-47	AN936A416	WASHER -----							2	
-48	MS21042L4	NUT -----							2	
		*-----								
-49		BRACKET-RELAY MOUNTING SEE INSTRUMENT PANEL STRUCTURE -----							1	
-50	0712605-201	BATTERY ASSY -----							1	
-51	S1579-2	CONTACTOR-BATTERY -----							1	
		ATTACHING PARTS -----								
-52	AN3-3A	BOLT -----							2	
-53	MS21044N3	NUT -----							2	
		*-----								
-54	0412007-1	STRAP-BATTERY GROUND -----							1	
		ATTACHING PARTS -----								
-55	AN4-4A	BOLT -----							1	
	AN960-416L	WASHER -----							1	
		*-----								
-56	0770610PA11	CABLE-BATTERY CONTACTOR TO STARTER CONTACTOR -----							1	
-57	0770610PA10	CABLE-BATTERY CONTACTOR TO BATTERY -----							1	
-58	S1807-1	COVER -----							2	
-59	S1693-2	STA STRAP -----							2	
-60	0712031-2	BRACKET -----							1	
		ATTACHING PARTS -----								
-61	AN515-832-5	SCREW -----							2	
-62	MS21044N3	NUT -----							2	
		*-----								
-63	S1090-22	FUSEHOLDER ASSY -----							1	
	S1091-1	FUSE-CLOCK 1 AMP -----							1	
-64	S1090-2	FUSE HOLDER ASSY -----							1	
	S1091-5	FUSE-EXTERNAL POWER 5 AMP -----							1	
-65	20H3P	DIODE-EXTERNAL POWER SATA -----							1	
-66	X26263	RESISTOR-EXTERNAL POWER TRTA -----							1	
-67	SEE FIG 3	PLACARD-BATTERY POLARITY -----							1	
		A---182 SERIAL 18262466 THRU 18265965 F182 SERIAL F18200001 THRU F18200064 B---182 SERIAL 18262466 THRU 18264295 C---182 SERIAL 18264296 THRU 18265965 F182 SERIAL F18200001 THRU F18200064 D---182 SERIAL 18262466 THRU 18264467 E---182 SERIAL 18264468 THRU 18265965 F182 SERIAL F18200001 THRU F18200064								

# 182 & T182 Parts Catalog

## Electrical Equipment (Cont)



**182 SERIAL 18265966 & ON**  
**F182 SERIAL F1820095 THRU F18200169**  
**T182 SERIAL 18267716 & ON**

Figure 185. Electrical Equipment Installation - 24 Volt

# 182 & T182 Parts Catalog

FIGURE AND INDEX NO.	PART NUMBER	DESCRIPTION	1 2 3 4 5 6 7							UNITS PER ASSY	USABLE ON CODE
			1	2	3	4	5	6	7		
185 -		ELECTRICAL EQUIPMENT INSTALLATION -----								NP	A
- 1	0711779-1	ESCUTCHEON-DOME LIGHT -----								1	J
	0711779-2	ESCUTCHEON-DOME LIGHT -----								1	K
		ATTACHING PARTS -----									
- 2	S1021A8-6	SCREW -----								1	J
- 3	AN525-832R7	SCREW -----								2	
		*-----									
- 4	S1831-1	SWITCH-DOME LIGHT -----								1	J
		ATTACHING PARTS -----									
- 5	AN515-4R4	SCREW -----								2	J
		*-----									
- 6	S2160-1	SWITCH-DOME LIGHT SNAP IN -----								1	K
- 7	S1893-1	BASE-DOME LIGHT -----								1	B
- 8	MS25231-313	LAMP-DOME LIGHT -----								1	L
	GE1821	LAMP-DOME LIGHT -----								1	
- 9	1706015-2	LENS-DOME LIGHT -----								1	
-10	S1831-1	SWITCH-COURTESY LIGHT -----								1	
		ATTACHING PARTS -----									
-11	AN515-4R4	SCREW -----								2	
		*-----									
-12	SEE FIG 186	INSTRUMENT PANEL LIGHTS INSTALLATION -----								NP	
-13	SEE FIG 190	COURTESY LIGHT INSTALLATION -----								NP	
-14	SEE FIG 196	LANDING LIGHTS INSTALLATION -----								NP	
-15	SEE FIG 201	BATTERY INSTALLATION -----								NP	
-16	S1577-1	CONTACTOR-STARTER -----								1	E
		ATTACHING PARTS -----									
	AN4-4A	BOLT -----								2	
	AN960-416L	WASHER -----								2	
		*-----									
-17	0770416PA9	CABLE-STARTER CONTACTOR TO STARTER -----								1	E
-18	S2443-1	CONTACTOR-STARTER 182 -----								1	S
	S2443-2	CONTACTOR-STARTER 182 & T182 -----								1	T
	S2443-1	CONTACTOR-STARTER T182 -----								1	U
		ATTACHING PARTS -----									
-19	AN4-4A	BOLT -----								2	F
-20	AN515-8R7	SCREW T182 -----								2	F
-20	AN960-416	WASHER -----								2	F
-20	AN960-10	WASHER T182 -----								2	F
		*-----									
-21	0770416PA12	CABLE-STARTER CONTACTOR TO STARTER 182 & F182 -----								1	F
	0770139PA2	CABLE-STARTER CONTACTOR TO BATTERY CONTACTOR T182 -----								1	L
		ATTACHING PARTS -----									
	S1021Z8-6	SCREW T182 -----								1	L
	NAS1329-A08-K75	NUT T182 -----								1	L
	MS21919DG10	CLAMP T182 -----								1	L
	AN520-10R16	SCREW T182 -----								1	L
	NAS43DD3-30	SPACER T182 -----								1	L
	MS21919DG9	CLAMP T182 -----								2	L
	AN520-10R24	SCREW T182 -----								1	L
	NAS43DD3-61	SPACER T182 -----								1	L
		*-----									
-22	0770139KA1	CABLE-STARTOR CONTACTOR TO STARTER T182 -----								1	L
	0770416PA11	CABLE-STARTER CONTACTOR TO BATTERY CONTACTOR 182 & F182 -----								1	F
		ATTACHING PARTS -----									
	AN520-8R8	SCREW 182 & F182 -----								1	G
	AN520-8R12	SCREW 182 & F182 -----								1	H
	MS21919DG5	CLAMP 182 & F182 -----								1	H
	NAS43DD3-18	SPACER 182 & F182 -----								1	H
	NAS446-4-3	NUT 182 & F182 -----								2	B
	MS21919DG7	CLAMP 182 & F182 -----								1	B
		*-----									
-23	S1399-1	SLEEVING-6.00 IN LG BKI 182 & F182 -----								1	H
	0770416JA6	CABLE-GROUND -----								1	F
	0770139KA3	CABLE-GROUND T182 -----								1	L
-24	0712765-3	COVER-STARTER CONTACTOR -----								1	R
	0712079-4	COVER-STARTER CNTACTOR -----								1	L
	0712079-2	COVER-STARTER CONTACTOR T182 -----								1	R
-25	S2209-2	STA-STRAP -----								2	L
	S2209-1	STA-STRAP -----								1	R
	S2209-1	STA-STRAP -----								1	L
-26	1670056-1	HORN ASSY-STALL WARNING -----								1	N

CONTINUED ON NEXT PAGE

# 182 & T182 Parts Catalog

FIGURE AND INDEX NO.	PART NUMBER	DESCRIPTION	UNITS PER ASSY							USABLE ON CODE
			1	2	3	4	5	6	7	
185 -26A	1670056-3	HORN ASSY-STALL WARNING ATTACHING PARTS							1	P
	AN960-8L	WASHER							2	
	AN341-8	NUT							2	
		*-----								
-27	0713738-3	BRACKET ASSY-STALL WARNING HORN ATTACHING PARTS							1	N
-28	S1021Z8-8	SCREW							2	N
		*-----								
-29	NAS395-12-3	NUT							2	N
-30	C613001-0101	POWER SUPPLY-ELECTROLUMINESCENT PANEL ON GLOVE BOX							1	N
-30A	C613001-0101	POWER SUPPLY-ELECTROLUMINESCENT PANEL ON CONSOLE							1	P
-31	AN520-10R8	SCREW							2	
	AN960-10	WASHER							2	
	MS21044N3	NUT							2	
		*-----								
-32	S2041-50-1.6	RESISTOR-CIGAR LIGHTER ATTACHING PARTS							1	
-33	AN515-4R5	SCREW							2	
	MS21044N04	NUT							2	
		*-----								
-34	0712031-1	BRACKET-FUSEHOLDER ATTACHING PARTS							1	
-35	AN515-8R5	SCREW							2	
-36	MS21044N08	NUT							2	
		*-----								
-37	S1090-22	FUSEHOLDER ASSY CLOCK							1	
	S1091-1	FUSE-CLOCK 1 AMP							1	
-38	S1090-2	FUSEHOLDER ASSY EXT POWER							1	
	S1091-5	FUSE-EXT POWER 5 AMP							1	
	S292-2	SLEEVING-1 IN LG BKI							2	M
-39	20H3P	DIODE-EXT POWER SATA							1	
-40	X26263	RESISTOR-EXT POWER SATA							1	
-41	1570166-1	DIMMING ASSY USED WITHOUT POST LIGHT INST.							1	
	1570301-1	DIMMING ASSY USED WITH POST LIGHT INST							1	
		ATTACHING PARTS								
-42	AN520-10R6	SCREW							4	
	AN960-10L	WASHER							4	
		*-----								
-43	2N3055	TRANSISTOR RCA							AR	V
	2N6576	TRANSISTOR HMEC							AR	W
	2N6577	TRANSISTOR HMEC ALT							AR	W
		ATTACHING PARTS								
-44	S1021Z6-8	SCREW							2	
-45	AN960-6L	WASHER							2	
	314-1431-006-500	SPACER ALT							2	
	4004	SPACER SHHI							2	
		*-----								
-46	S1641-6	HOUSING-SOCKET USED WITH 1570166-1							1	
	S1641-9	HOUSING-SOCKET USED WITH 1570301-1							1	
-47	SEE FIG 199	EXTERNAL POWER RECEPTACLE INSTALLATION							NP	
-48	SEE FIG 192	ALTERNATOR INSTALLATION							NP	
-49	C611004-0102	REGULATOR-VOLTAGE							1	C
		ATTACHING PARTS								
	AN520-416R8	SCREW							2	
		*-----								
	C611005-0101	CONTROL UNIT-ALTERNATOR WEU C611005-0103							1	X
	C611005-0103	CONTROL UNIT-ALTERNATOR							1	Y
		ATTACHING PARTS								
	AN4-6A	BOLT							3	X
	AN4-10A	BOLT							3	Y
		*-----								
-50	C593003-0101	SENSOR-OVERVOLTAGE							1	C
	C593003-0103	SENSOR-OVERVOLTAGE ALT							1	C
		ATTACHING PARTS								
	AN515-6R8	SCREW							2	
	MS21044N06	NUT							2	
		*-----								

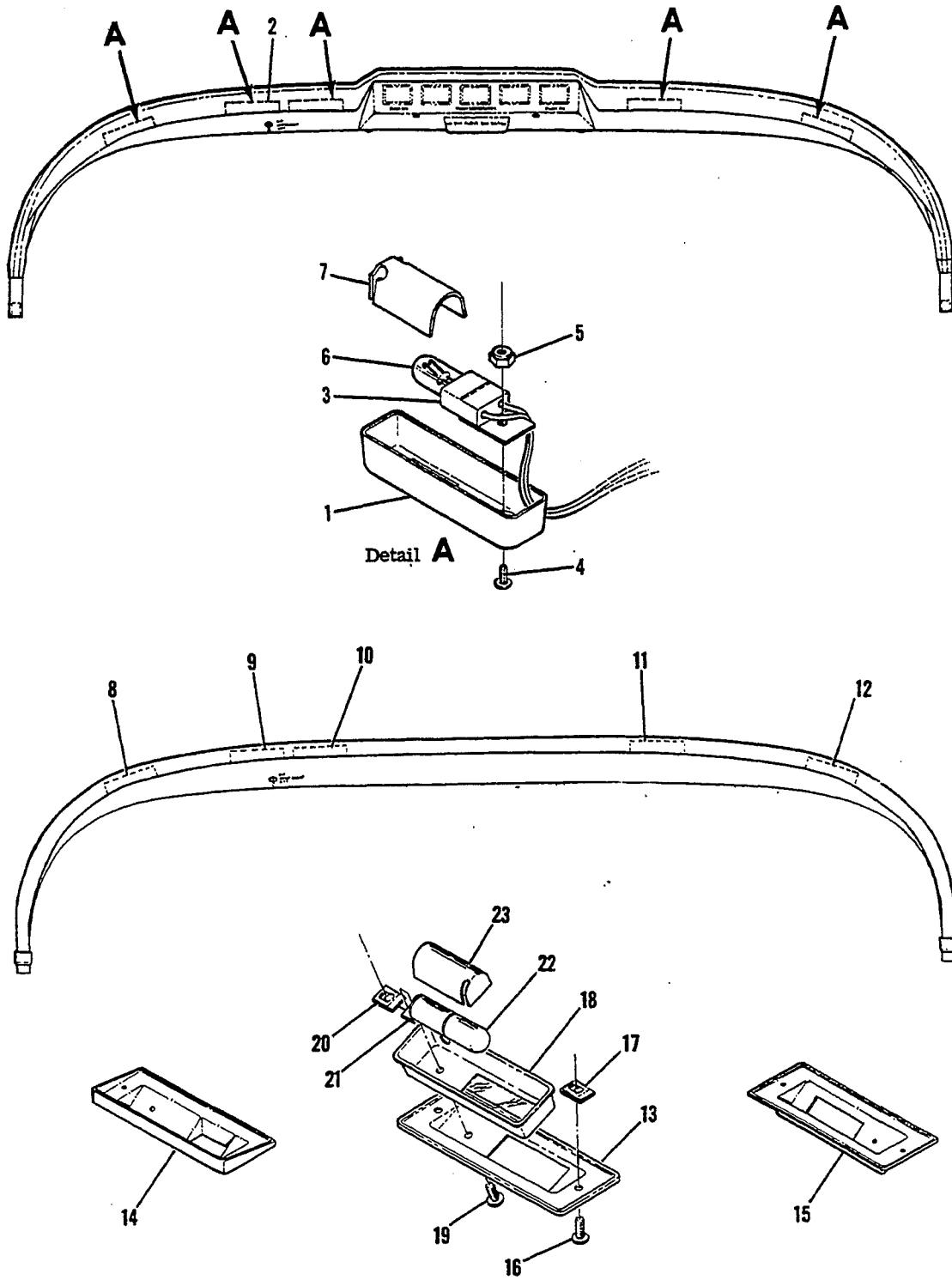
CONTINUED ON NEXT PAGE

# 182 & T182 Parts Catalog

FIGURE AND INDEX NO.	PART NUMBER	DESCRIPTION	UNITS PER ASSY	USABLE ON CODE
185 -51	0570315-1	TERMINAL BOARD ASSY -----	1	D
	AN515-8R10	ATTACHING PARTS SCREW -----	2	
	0570316-1	COVER-TERMINAL BOARD -----	1	D
	S2303P2-4	ATTACHING PARTS SCREW -----	4	
-52	C622008-0102	POWER SUPPLY-STROBE LIGHT -----	2	
	AN520-10R7	ATTACHING PARTS SCREW -----	4	
-53	1620075-3	BRACKET ASSY-STROBE LIGHT -----	4	
	NAS686A3K	NUTPLATE -----	2	
	SEE FIG 189	FLASHING BEACON INSTALLATION -----	NP	
<p>A---182 SERIAL 18265966 &amp; ON F182 SERIAL F18200065 THRU F18200169 T182 SERIAL 18267716 &amp; ON</p> <p>B---182 SERIAL 18265966 &amp; ON F182 SERIAL F18200065 THRU F18200169</p> <p>C---182 SERIAL 18265966 THRU 18266590 F182 SERIAL F18200065 THRU F18200094</p> <p>D---182 SERIAL 18266591 &amp; ON F182 SERIAL F18200095 THRU F18200169 T182 SERIAL 18267716 &amp; ON</p> <p>E---182 SERIAL 18265966 THRU 18266977 F182 SERIAL F18200065 THRU F18200129</p> <p>F---182 SERIAL 18266978 &amp; ON F182 SERIAL F18200130 THRU F18200169</p> <p>G---182 SERIAL 18265966 THRU 18266966 F182 SERIAL F18200065 THRU F18200144</p> <p>H---182 SERIAL 18266967 &amp; ON F182 SERIAL F18200145 THRU F18200169</p> <p>J---182 SERIAL 18265966 THRU 18267740 F182 SERIAL F18200065 THRU F18200169 T182 SERIAL 18267716 THRU 18267740</p> <p>K---182 &amp; T182 SERIAL 18267741 &amp; ON</p> <p>L---T182 SERIAL 18267716 &amp; ON</p> <p>M---182 &amp; T182 SERIAL 18267716 &amp; ON</p> <p>N---182 SERIAL 18265966 THRU 18268055 T182 SERIAL 18267716 THRU 18268055</p> <p>P---182 &amp; T182 SERIAL 18268056 &amp; ON</p> <p>Q---182 SERIAL 18266978 THRU 18268058 F182 SERIAL F18200130 THRU F18200169</p> <p>R---182 SERIAL 18268059 &amp; ON</p> <p>S---182 SERIAL 18266978 THRU 18268058 F182 SERIAL F18200130 THRU F18200169</p> <p>T---T182 SERIAL 18267716 THRU 18268058</p> <p>U---182 &amp; T182 SERIAL 18268059 &amp; ON</p> <p>V---182 SERIAL 18265966 THRU 18267635</p> <p>W---182 SERIAL 18267636 &amp; ON T182 SERIAL 18267716 &amp; ON</p> <p>X---182 SERIAL 18266591 THRU 18268408 F182 SERIAL F18200095 THRU F18200169 T182 SERIAL 18267716 THRU 18268408</p> <p>Y---182 &amp; T182 SERIAL 18268409 &amp; ON</p>				

# 182 & T182 Parts Catalog

## Electrical Equipment (Cont)



182 SERIAL 18262466 THRU 18265965  
F182 SERIAL F18200001 THRU F18200064  
Figure 186. Instrument Panel Lights Installation



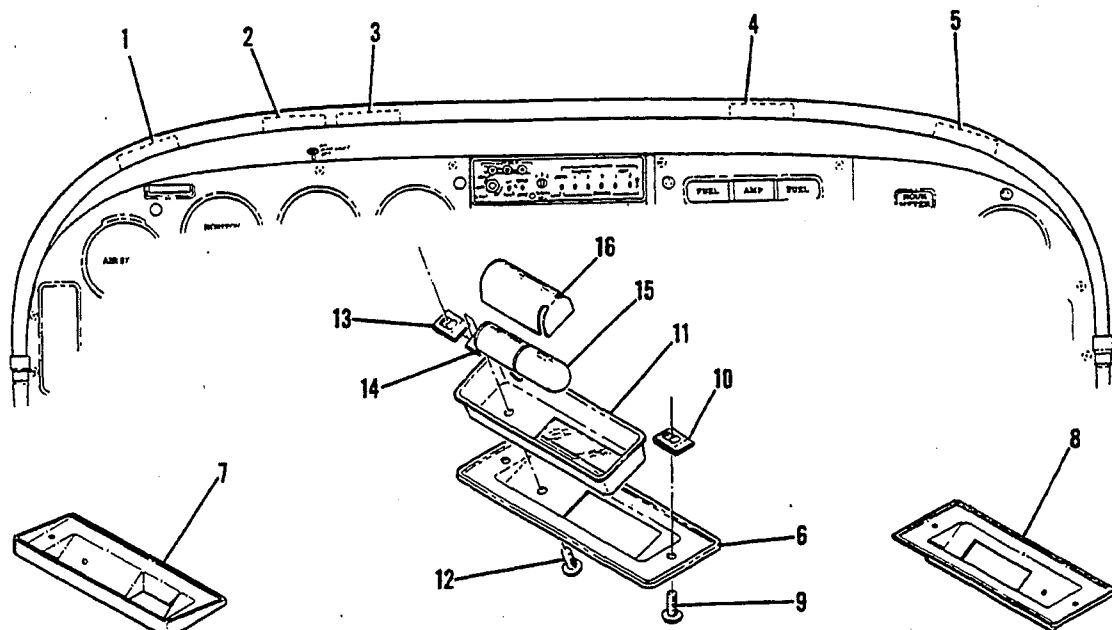
# 182 & T182 Parts Catalog

FIGURE AND INDEX NO.	PART NUMBER	DESCRIPTION	UNITS PER ASSY	USABLE ON CODE
186 -		INSTRUMENT PANEL GLARE SHIELD LIGHTS INSTALLATION -----	NP	A
- 1	1213319-7	HOUSING ASSY-LIGHT RED LENS -----	4	B
- 2	1213319-8	HOUSING ASSY-LIGHT BLUE LENS MAPLIGHT SWITCH -----	1	B
- 3	S1910-2	LIGHT ASSY -----	5	B
		ATTACHING PARTS		
- 4	AN515-4R6	SCREW -----	1	
- 5	AN340-4	NUT -----	1	
		*-----		
- 6	S1901-1	LAMP-GLARE SHIELD -----	5	B
- 7	1213321-2	REFLECTOR -----	5	B
- 8	0713487-7	LIGHT ASSY-GLARESHIELD -----	1	C
- 9	0713487-3	LIGHT ASSY-GLARESHIELD APPROACH PLATE -----	1	C
-10	0713487-15	LIGHT ASSY-GLARESHIELD -----	1	C
-11	0713487-1	LIGHT ASSY-GLARESHIELD -----	1	C
-12	0713487-5	LIGHT ASSY-GLARESHIELD -----	1	C
-13	0713487-11	COVER USED WITH 0713487-7 -----	1	C
-14	0713487-10	COVER USED WITH 0713487-3 -----	1	C
-15	0713487-14	COVER USED WITH 0713487-15 -----	1	C
	0713487-9	COVER USED WITH 0713487-1 -----	1	C
	0713487-12	COVER USED WITH 0713487-5 -----	1	C
		ATTACHING PARTS		
-16	S1021A4-8B	SCREW -----	2	C
	S1021Z6-10	SCREW USED WITH 0713487-10 ONLY -----	2	C
-17	NAS488-5-3	NUT -----	2	C
		*-----		
-18	1213319-15	LIGHT ASSY USED WITH 0713487-3 BLUE LENS -----	1	C
	1213319-16	LIGHT ASSY USED WITH 0713487-1,-5 & -15 RED LENS --	3	C
	1213319-18	LIGHT ASSY USED WITH 0713487-7 RED LENS -----	1	C
		ATTACHING PARTS		
-19	S1021Z4-6B	SCREW -----	1	C
-20	NAS395-1-3	NUT -----	1	C
		*-----		
-21	4155-308	LAMPHOLDER -----	1	C
	1570394-1	LAMPHOLDER ALT -----	1	C
-22	53	LAMP-GLARE SHIELD -----	1	C
-23	1213321-2	REFLECTOR -----	1	C

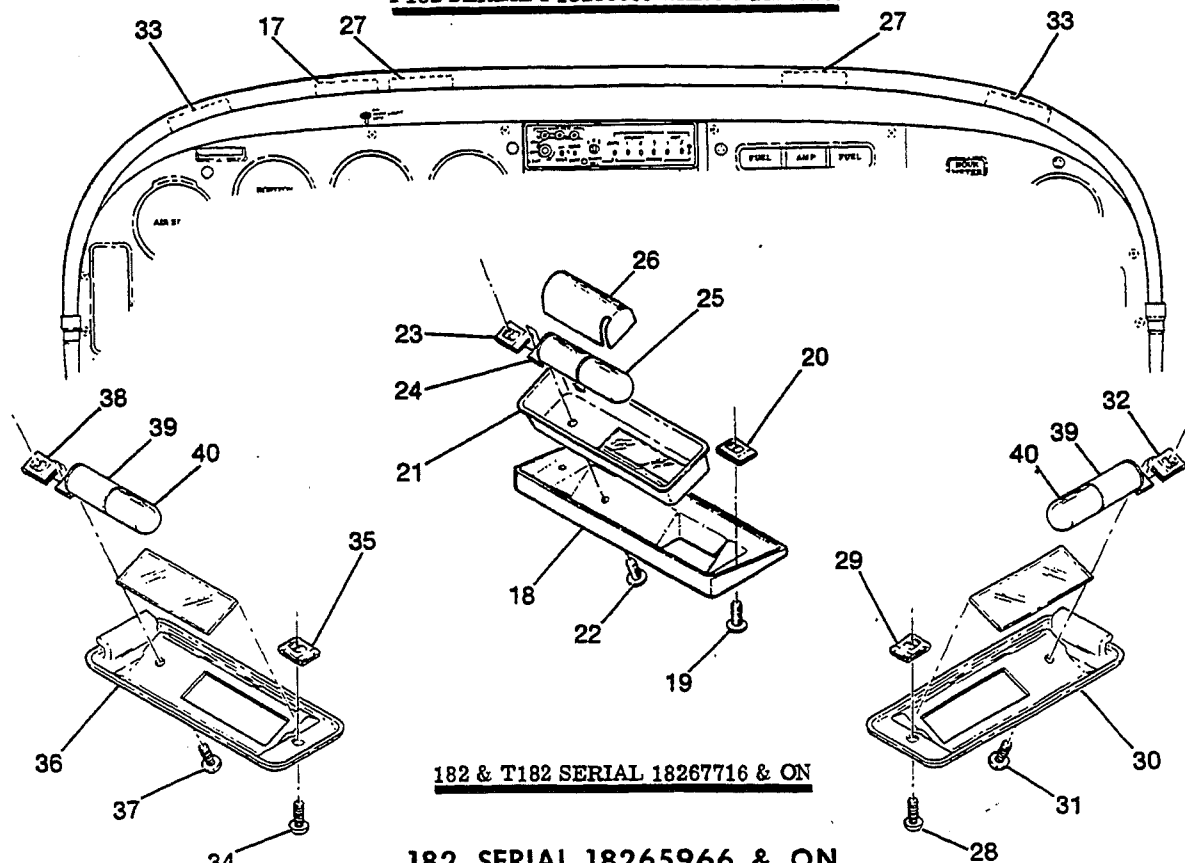
A---182 SERIAL 18262466 THRU 18265965  
 F182 SERIAL F18200001 THRU F18200064  
 B---182 SERIAL 18262466 THRU 18264295  
 C---182 SERIAL 18264296 THRU 18265965  
 F182 SERIAL F18200001 THRU F18200064

# 182 & T182 Parts Catalog

## Electrical Equipment (Cont)



**182 SERIAL 18265966 THRU 18267715**  
**F182 SERIAL F1820065 THRU F18200169**



**182 & T182 SERIAL 18267716 & ON**

**182 SERIAL 18265966 & ON**  
**F182 SERIAL F1820065 THRU F18200169**  
**T182 SERIAL 18267716 & ON**

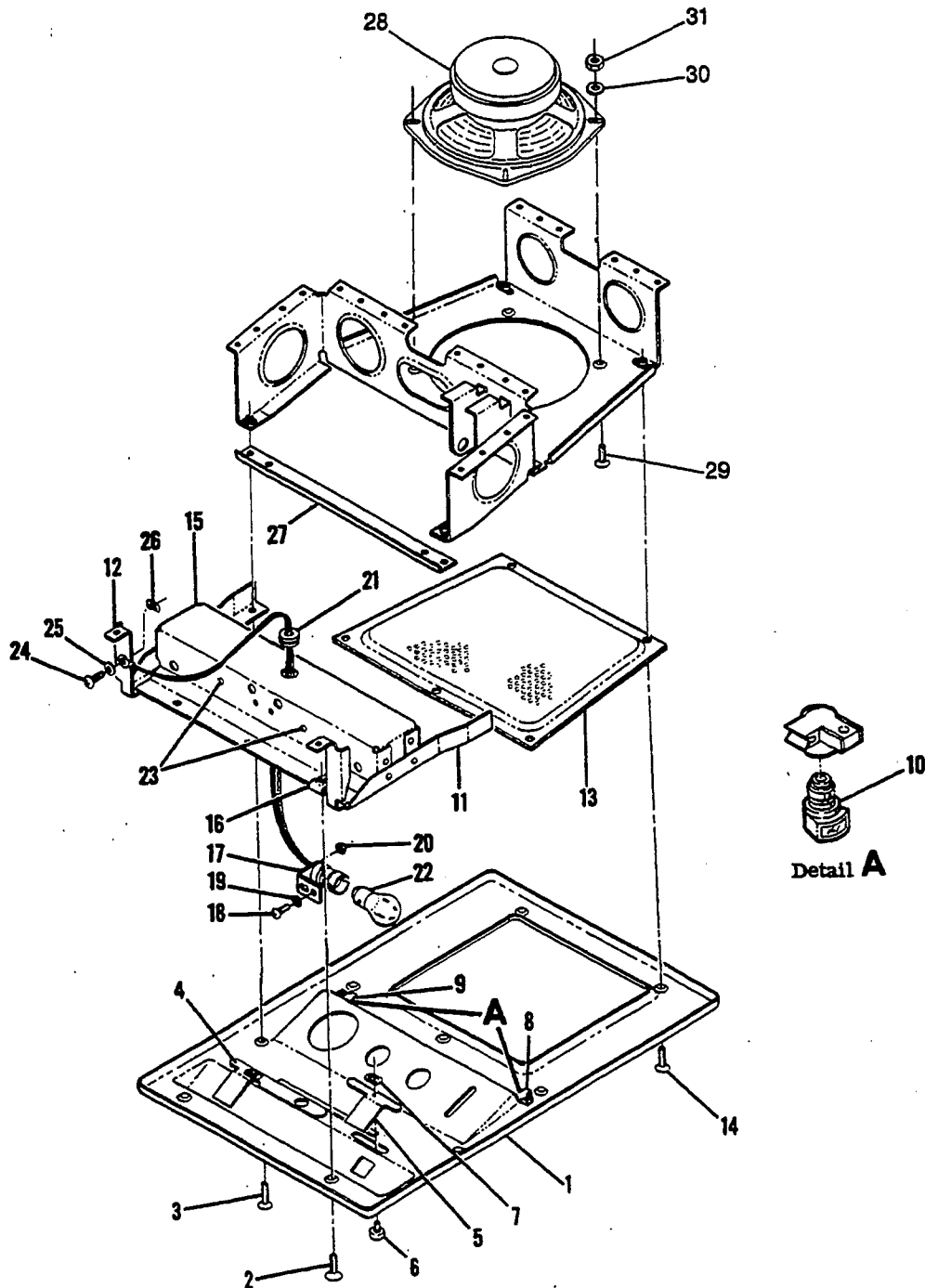
Figure 187. Instrument Panel Glareshield Lights Installation

# 182 & T182 Parts Catalog

FIGURE AND INDEX NO.	PART NUMBER	DESCRIPTION	UNITS PER ASSY							USABLE ON CODE	
			1	2	3	4	5	6	7		
187 -		INSTRUMENT PANEL GLARESHIELD LIGHTS INSTALLATION -----								NP	A
- 1	0713487-8	LIGHT ASSY-GLARESHIELD -----								1	B
- 2	0713487-4	LIGHT ASSY-GLARESHIELD APPROACH PLATE -----								1	B
- 3	0713487-16	LIGHT ASSY-GLARESHIELD -----								1	B
- 4	0713487-2	LIGHT ASSY-GLARESHIELD -----								1	B
- 5	0713487-6	LIGHT ASSY-GLARESHIELD -----								1	B
- 6	0713487-11	COVER USED WITH 0713487-8 -----								1	B
- 7	0713487-10	COVER USED WITH 0713487-4 -----								1	B
- 8	0713487-14	COVER USED WITH 0713487-16 -----								1	B
	0713487-9	COVER USED WITH 0713487-2 -----								1	B
	0713487-12	COVER USED WITH 0713487-6 -----								1	B
		ATTACHING PARTS									
- 9	S1021A4-8	SCREW -----								2	B
	S1021Z6-10	SCREW USED WITH 0713487-10 COVER ONLY -----								2	B
-10	NAS488-5-3	NUT -----								2	B
		-----*									
-11	1213319-13	LIGHT ASSY USED WITH 0713487-4 BLUE LENS -----								1	B
	1213319-17	LIGHT ASSY USED WITH 0713487-2, -6 & -16 RED LENS -----								1	B
	1213319-19	LIGHT ASSY USED WITH 0713487-8 RED LENS -----								1	B
		ATTACHING PARTS									
-12	S1021Z4-6B	SCREW -----								1	B
-13	NAS395-1-3	NUT -----								1	B
		-----*									
-14	S2524-1	LAMP HOLDER -----								1	B
	1570394-1	LAMP HOLDER ALT -----								1	B
-15	S2244-1	LAMP-GLARESHIELD -----								1	B
-16	1213321-2	REFLECTOR -----								1	B
-17	0713487-4	LIGHT ASSY-GLARESHIELD APPROACH PLATE LIGHTING -----								1	C
-18	0713487-10	HOUSING-LIGHT -----								1	C
		ATTACHING PARTS									
-19	S1021Z6-10	SCREW -----								2	
-20	NAS488-5-8	NUT -----								2	
		-----*									
-21	1213319-13	LIGHT ASSY BLUE LENS -----								1	
		ATTACHING PARTS									
-22	S1021Z4-6B	SCREW -----								1	
-23	NAS395-1-3	NUT -----								1	
		-----*									
-24	S2524-1	LAMP HOLDER DMC -----								1	C
	1570394-1	LAMP HOLDER ALT -----								1	C
-25	S2244-1	LAMP-GLARESHIELD -----								1	C
-26	1213321-2	REFLECTOR -----								1	C
-27	1215179-1	LIGHT ASSY-GLARESHIELD -----								2	C
		ATTACHING PARTS									
-28	S1021Z4-6B	SCREW -----								1	C
-29	NAS395-1-3	NUT -----								1	C
		-----*									
-30	1215178-1	HOUSING-LIGHT ASSY -----								1	C
		ATTACHING PARTS									
-31	S1021Z6-8B	SCREW -----								1	C
-32	NAS488-5-3	NUT -----								1	C
		-----*									
-33	1215179-2	LIGHT ASSY-GLARESHIELD -----								2	C
		ATTACHING PARTS									
-34	S1021Z4-6B	SCREW -----								1	C
-35	NAS395-1-3	NUT -----								1	C
		-----*									
-36	1215178-2	HOUSING-LIGHT ASSY -----								1	C
		ATTACHING PARTS									
-37	S1021Z6-8B	SCREW -----								1	C
-38	NAS488-5-3	NUT -----								1	C
		-----*									
-39	S2524-1	LAMP HOLDER -----								1	C
	1570394-1	LAMP HOLDER ALT -----								1	C
-40	S2244-1	BULB-GLARESHIELD -----								1	C
		A---182 SERIAL 18265966 & ON F182 SERIAL F18200065 THRU F18200169 T182 SERIAL 18267716 & ON									
		B---182 SERIAL 18265966 THRU 18267700 F182 SERIAL F18200065 THRU F18200169									
		C---182 SERIAL 18267701 & ON T182 SERIAL 18267716 & ON									

# 182 & T182 Parts Catalog

## Electrical Equipment (Cont)



**182 SERIAL 18262466 & ON  
F182 SERIAL F1820001 THRU F18200169  
T182 SERIAL 18267716 & ON**

Figure 188. Instrument Panel Light & Console Installation

# 182 & T182 Parts Catalog

FIGURE AND INDEX NO.	PART NUMBER	DESCRIPTION							UNITS PER ASSY	USABLE ON CODE	
		1	2	3	4	5	6	7			
188 -		INSTRUMENT PANEL LIGHT & CONSOLE INSTALLATION -----							NP	A	
- 1	0711778-5	COVER ASSEMBLY WITH OXYGEN CUTOUTS 12 VOLTS -----							1	B	
	0711778-9	COVER ASSEMBLY WITH OXYGEN CUTOUTS 24 VOLTS -----							1	C	
	0711778-7	COVER ASSEMBLY WITHOUT OXYGEN CUTOUTS -----							1		
	0711778-15	COVER ASSY WITH A/C & OXY 24V T182 ONLY -----							1	D	
	0711778-14	COVER ASSY WITH A/C 24V T182 ONLY -----							1	D	
		ATTACHING PARTS -----									
- 2	S102278-10	SCREW -----							2		
- 3	AN515-8R8	SCREW -----							2		
		*-----									
- 4	1213152-4	COVER-SLIDE RH -----							1		
- 5	1213152-3	COVER-SLIDE LH -----							1		
- 6	0700628-5	SLIDE -----							2		
		ATTACHING PARTS -----									
- 7	AN340-4	NUT -----							2		
		*-----									
- 8	S1899-5	*	LIGHT ASSY-TAB MOUNTED LH 12 VOLTS -----					1	B		
	S1899-7	**	LIGHT ASSY-TAB MOUNTED LH 24 VOLT -----					1	C		
- 9	S1899-6	*	LIGHT ASSY-TAB MOUNTED RH 12 VOLTS -----					1	B		
	S1899-8	**	LIGHT ASSY-TAB MOUNTED RH 24 VOLT -----					1	C		
-10	MS25237-330		BULB-OVERHEAD CONSOLE 12 VOLTS -----					1	B		
	MS25237-327		BULB-OVERHEAD CONSOLE 24 VOLT -----					1	C		
-11	0711781-1		BRACKET-OVERHEAD CONSOLE LH -----					1			
-12	0711781-2		BRACKET-OVERHEAD CONSOLE RH -----					1			
-13	1211081-1		SPEAKER GRILL -----							1	
		ATTACHING PARTS -----									
-14	AN507-832R12		SCREW -----							5	
		*-----									
-15	0711777-1		HOUSING ASSY-PANEL LIGHT 12 VOLT -----					1	B		
	0711777-3		HOUSING ASSY-PANEL LIGHT 24 VOLT -----					1	C		
		ATTACHING PARTS -----									
-16	NAS396-4-3		NUT -----							2	
		*-----									
-17	0513208-3		SOCKET ASSY-LAMP -----							2	
		ATTACHING PARTS -----									
-18	NAS1352-06-6		SCREW -----							1	
-19	AN960-6L		WASHER -----							1	
-20	NAS679-A06		NUT -----							1	
		*-----									
-21	MS35489-6		GROMMET -----							1	
-22	94		LAMP-CONSOLE GE -----					2	B		
	MS15584-8		LAMP-CONSOLE -----							1	C
	0711780-3		BRACKET ASSY-PANEL LIGHT -----							1	
		ATTACHING PARTS -----									
-23	S102178-6		SCREW -----							2	
	AN960-8L		WASHER -----							2	
	NAS446-4		NUT -----							2	
		*-----									
	AN515-8R24		SCREW-LIGHT ADJUSTMENT -----							1	
	AN960-8L		WASHER-LIGHT ADJUSTMENT -----							1	
	NAS679A08		NUT-LIGHT ADJUSTMENT -----							1	
-24	S102176-6		SCREW-GROUND -----							1	
-25	AN960-6L		WASHER-GROUND -----							1	
-26	NAS446-2-3		NUT-GROUND -----							1	
-27	0700761-6		ANGLE SUPPORT -----							1	

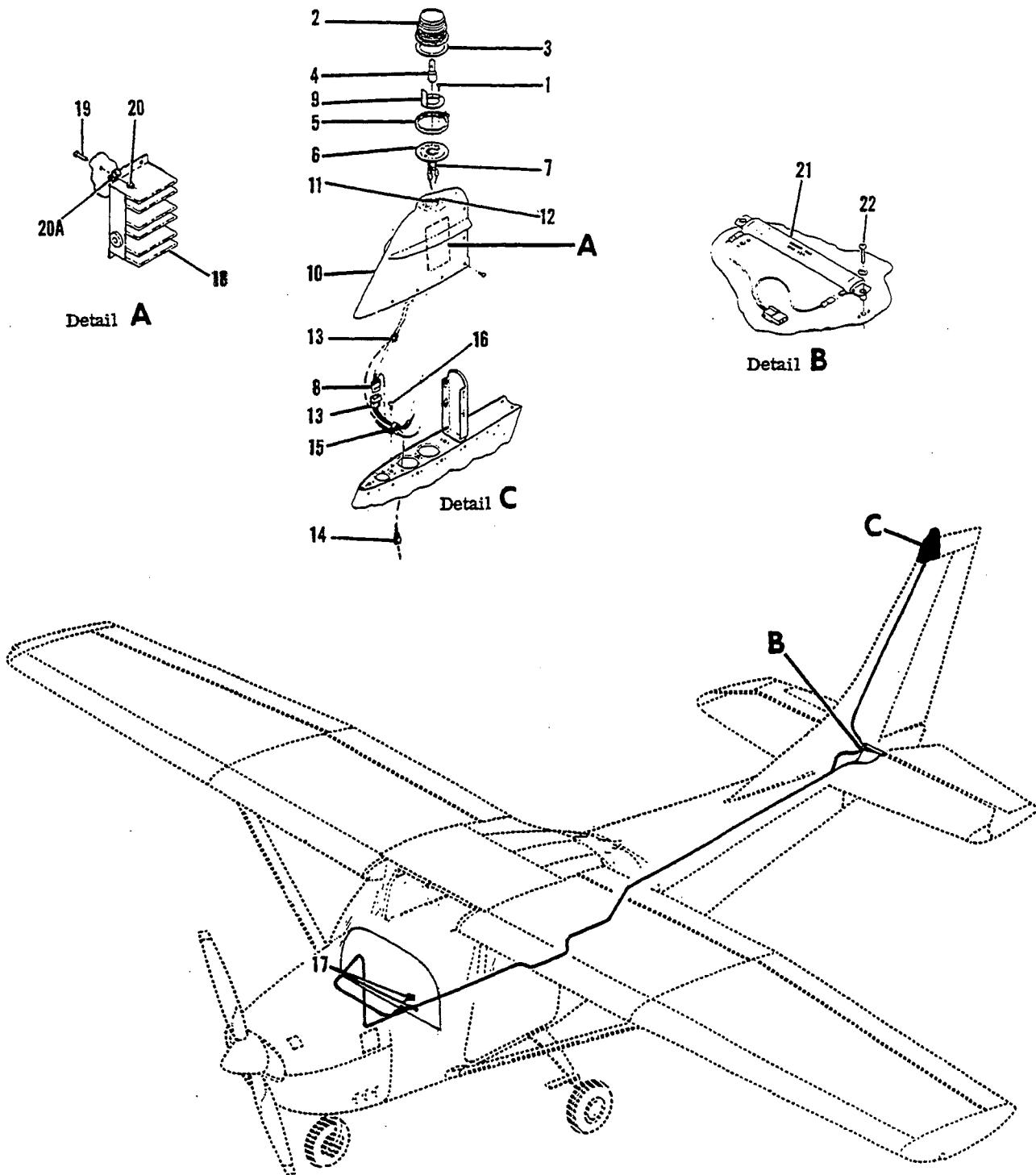
CONTINUED ON NEXT PAGE

# 182 & T182 Parts Catalog

FIGURE AND INDEX NO.	PART NUMBER	DESCRIPTION	UNITS PER ASSY	USABLE ON CODE
		1 2 3 4 5 6 7		
188 -28	C596504-0101	SPEAKER-RADIO ----- ATTACHING PARTS	1	
-29	AN507-832R8	SCREW -----	4	
-30	AN960D8	WASHER -----	4	
-31	MS21044N08	NUT ----- -----*	4	
		<p>NOTE. &lt;THIS PART MUST HAVE A SECOND DASH NUMBER ADDED TO DENOTE COLOR. REFER TO HOW TO ORDER INTERIOR PARTS-PAGE VII.</p> <p>NOTE. *THESE PARTS ARE REQUIRED ON 0711778-5 COVER ASSEMBLY ONLY.</p> <p>NOTE. **THESE PARTS ARE REQUIRED ON 0711778-9 COVER ASSY ONLY.</p> <p>A---182 SERIAL 18262466 &amp; ON F182 SERIAL F18200001 THRU F18200169 T182 SERIAL 18267716 &amp; ON</p> <p>B---182 SERIAL 18262466 THRU 18266075 F182 SERIAL F18200001 THRU F18200085</p> <p>C---182 SERIAL 18266076 &amp; ON F182 SERIAL F18200086 THRU F18200169 T182 SERIAL 18267716 &amp; ON</p> <p>D---T182 SERIAL 18268294 &amp; ON</p>		

# 182 & T182 Parts Catalog

## Electrical Equipment (Cont)



**182 SERIAL 18262466 & ON  
F182 SERIAL F18200001 THRU F18200169  
T182 SERIAL 18267716 & ON**

Figure 189. Flashing Beacon Light Installation

# 182 & T182 Parts Catalog

FIGURE AND INDEX NO.	PART NUMBER	DESCRIPTION							UNITS PER ASSY	USABLE ON CODE
		1	2	3	4	5	6	7		
189 -		FLASHING BEACON LIGHT INSTALLATION -----							NP	A
	C621001-0106	LIGHT ASSY-FLASHING BEACON 12 VOLT -----							1	D
	C621001-0102	LIGHT ASSY-FLASHING BEACON 24 VOLT -----							1	E
		ATTACHING PARTS								
- 1	AN515-8R8	SCREW -----							2	
		-----*								
- 2	C17325	DOME AEFC -----							1	
- 3	C17330	GASKET AEFC -----							1	
- 4	C17312-3	LAMP-FLASHING BEACON 12 VOLT 125 WATT AEFC -----							1	D
	C17312-1	LAMP-FLASHING BEACON 24 VOLT 150 WATT AEFC -----							1	E
- 5	C17326	CLAMP ASSY AEFC -----							1	
- 6	C17331-6	PLATE-MOUNTING AEFC -----							1	D
	C17331-1	PLATE-MOUNTING AEFC -----							1	E
- 7	C17313	SOCKET ASSY AEFC -----							1	
- 8	S1638-1	HOUSING PLUG -----							1	
- 9	0731607-1	BAFFLE -----							1	
-10	1231059-1	TIP ASSY-FIN -----							1	B
	1231064-1	TIP ASSY-FIN -----							1	F
	1231064-3	TIP ASSY-FIN -----							1	G
-11	0431017-2	PLATE ASSY -----							1	
-12	NAS680A08	NUTPLATE -----							1	
-13	S1638-2	HOUSING-CAP -----							2	
-14	S1637-2	HOUSING-PLUG -----							1	
	S1637-1	HOUSING-CAP -----							1	
-15	AN742D4	CLAMP -----							1	
		ATTACHING PARTS								
-16	AN515-6R7	SCREW -----							1	
		-----*								
-17		CIRCUIT BREAKER SEE INSTRUMENT PANEL -----							1	
		SWITCH SEE INSTRUMENT PANEL -----							1	
-18	C594502-0102	FLASHER ASSY-BEACON LIGHT -----							1	
		ATTACHING PARTS								
-19	AN525-832R7	SCREW -----							4	
-20	MS21044N08	NUT -----							4	
		-----*								
-20A	S1155-2	CLAMP -----							1	E
-21	OR95-1.5	RESISTOR-FLASHING BEACON -----							1	D
	OR95-6	RESISTOR-FLASHING BEACON -----							1	E
		ATTACHING PARTS								
-22	AN515-8R11	SCREW -----							2	
		-----*								
		A---182 SERIAL 18262466 & ON F182 SERIAL F18200001 THRU F18200169 T182 SERIAL 18267716 & ON B---182 SERIAL 18262466 THRU 18264295 D---182 SERIAL 18262466 THRU 18265965 F182 SERIAL F18200001 THRU F18200064 E---182 SERIAL 18265966 & ON F182 SERIAL F18200065 THRU F18200169 T182 SERIAL 18267716 & ON F---182 SERIAL 18264296 THRU 18266517 F182 SERIAL F18200001 THRU F18200094 G---182 SERIAL 18266518 & ON F182 SERIAL F18200095 THRU F18200169 T182 SERIAL 18267716 & ON								



# 182 & T182 Parts Catalog

## Electrical Equipment (Cont)

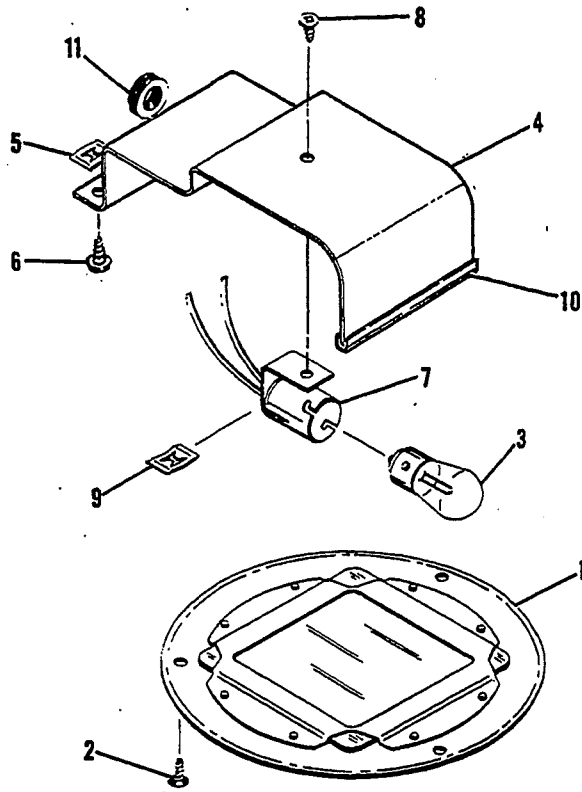
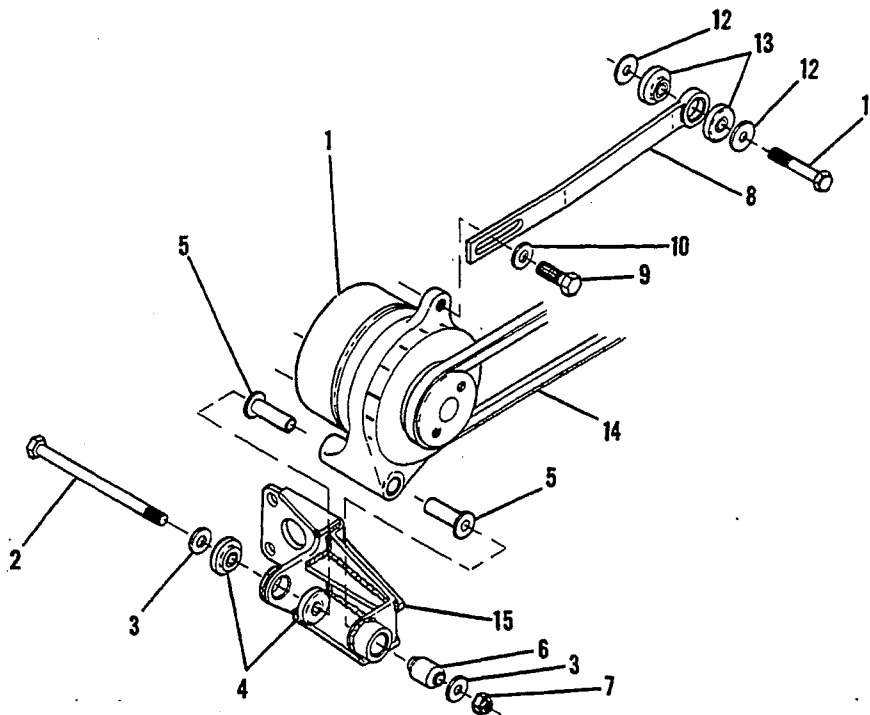


Figure 190. Courtesy Light Installation

FIGURE AND INDEX NO.	PART NUMBER	DESCRIPTION							UNITS PER ASSY	USABLE ON CODE
		1	2	3	4	5	6	7		
190 -		<b>COURTESY LIGHT INSTALLATION</b> -----							NP	C
- 1	0762035-1	COVER PLATE ASSEMBLY -----							2	
- 2	S102178-8	ATTACHING PARTS -----							AR	
		SCREW -----								
		*-----								
- 3	MS15584-2	BULB-COURTESY LIGHT 12 VOLT -----							2	A
	MS15584-8	BULB-COURTESY LIGHT 24 VOLT -----							2	B
- 4	0762036-1	SHIELD ASSEMBLY -----							2	
		ATTACHING PARTS -----								
- 5	NAS446-2-3	NUT -----							2	
- 6	S102176-8	SCREW -----							2	
		*-----								
- 7	0513208-1	SOCKET-LAMP -----							1	
		ATTACHING PARTS -----								
- 8	S102176-6	SCREW -----							1	
- 9	NAS446-2-3	NUT -----							1	
		*-----								
-10	S1055-1	CHANNEL 2.25 IN LG.	BULK ITEM		REF S1055-1-2.25		-	1		
-11	MS35489-134	GROMMET -----							1	
<p>A---182 SERIAL 18262466 THRU 18265965                      F182 SERIAL F1820001 THRU F18200064</p> <p>B---182 SERIAL 18265966 &amp; ON                      F182 SERIAL F18200065 THRU F18200169</p> <p>C---182 SERIAL 18262466 &amp; ON                      F182 SERIAL F18200001 THRU F18200169                      T182 SERIAL 18267716 &amp; ON</p>										

# 182 & T182 Parts Catalog

Electrical Equipment (Cont)

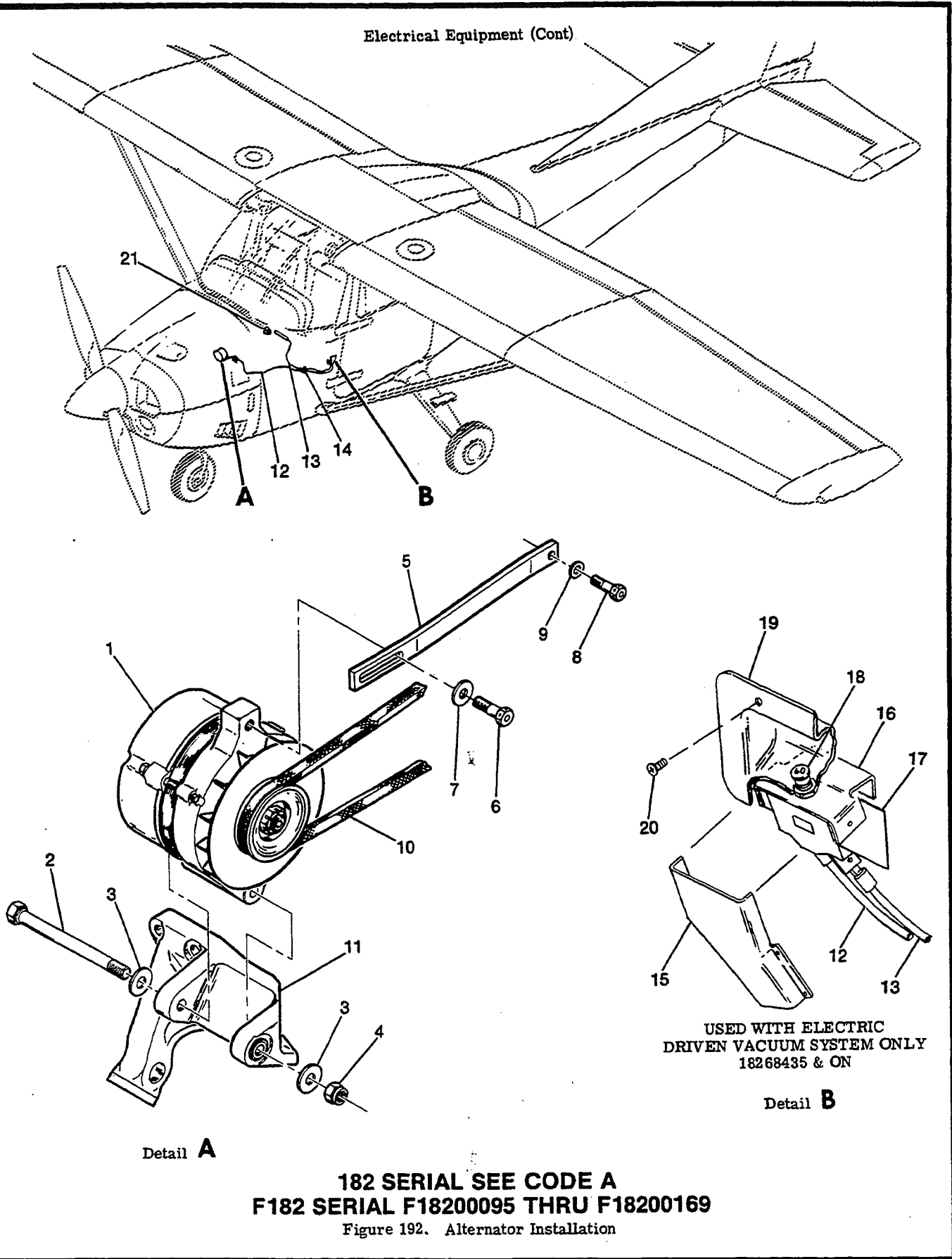


**182 SERIAL 18262466 THRU 18266590**  
**F182 SERIAL F18200001 THRU F18200094**  
 Figure 191. Shock Mounted Alternator Installation

FIGURE AND INDEX NO.	PART NUMBER	DESCRIPTION							UNITS PER ASSY	USABLE ON CODE
		1	2	3	4	5	6	7		
191 -		<b>SHOCK MOUNTED ALTERNATOR INSTALLATION</b> -----							NP	
- 1	C611501-0102	ALTERNATOR ASSEMBLY 60 AMP 12 VOLT -----							1	A B
	C611503-0102	ALTERNATOR ASSEMBLY 60 AMP 24 VOLT -----							1	
		<b>ATTACHING PARTS</b> -----								
- 2	AN5-52A	BOLT -----							1	
- 3	S1450-5H14-063	WASHER -----							2	
- 4	J9534-20	BUSHING RUBBER LO -----							2	
- 5	1250214-1	BUSHING -----							2	
- 6	J2005-2	MOUNT-BONDED LO -----							1	
- 7	NAS679A5	NUT -----							1	
		*-----								
- 8	1250215-1	ADJUSTING ARM ASSEMBLY-ALTERNATOR -----							1	
		<b>ATTACHING PARTS</b> -----								
- 9	O750220-1	BOLT -----							1	
- 10	S1450-6-14-080	WASHER -----							1	
- 11	MS20074-05-14	BOLT -----							1	
- 12	S1450-5H14-040	WASHER -----							2	
- 13	J9534-20	BUSHING-RUBBER LO -----							2	
		*-----								
- 14	S2416-1-31.0	BELT-ALTERNATOR -----							1	
- 15	1250213-15	SUPPORT ASSY-ALTERNATOR WEU 642266 SEE FIG 98A -----							1	
		A---182 SERIAL 18262466 THRU 18265965								
		F182 SERIAL F18200001 THRU F18200064								
		B---182 SERIAL 18265966 THRU 18266590								
		F182 SERIAL F18200065 THRU F18200094								

# 182 & T182 Parts Catalog

Electrical Equipment (Cont)



Detail A

Detail B

**182 SERIAL SEE CODE A**  
**F182 SERIAL F1820095 THRU F18200169**

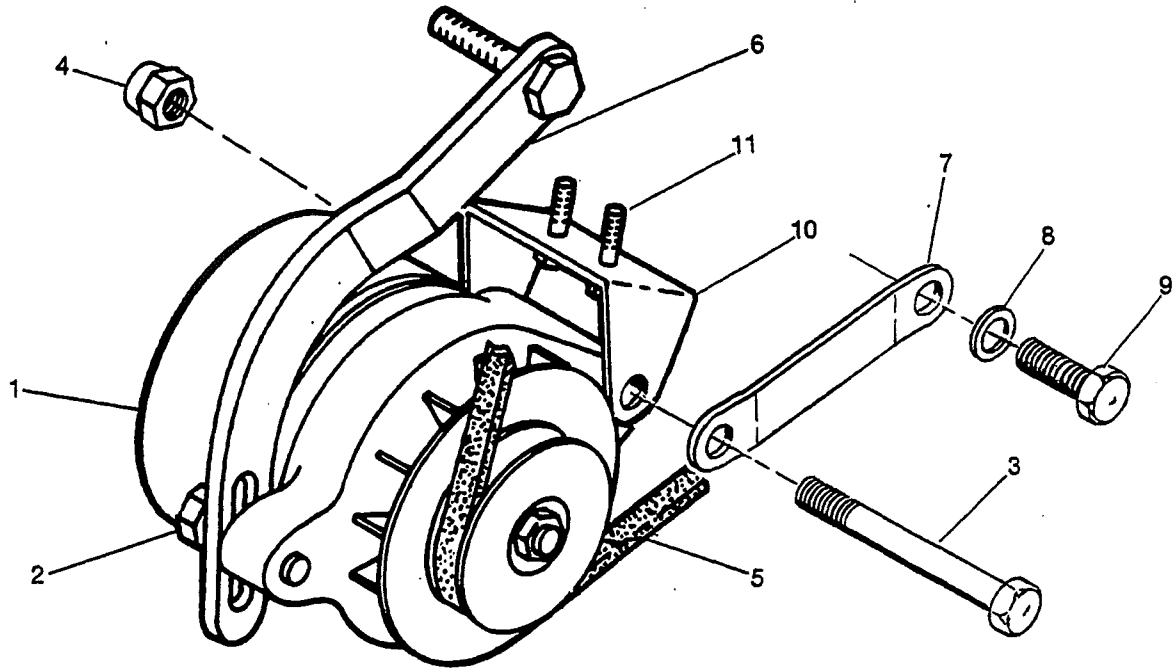
Figure 192. Alternator Installation

# 182 & T182 Parts Catalog

FIGURE AND INDEX NO.	PART NUMBER	DESCRIPTION	UNITS PER ASSY	USABLE ON CODE
192 -		ALTERNATOR INSTALLATION -----	NP	A
- 1	C611503-0102	ALTERNATOR ASSY 60 AMP 24 VOLT ----- ATTACHING PARTS -----	1	
- 2	AN7-46A	BOLT -----	1	
- 3	AN960-716	WASHER -----	AR	
- 4	MS20365-720C	NUT -----	1	
		*-----		
- 5	0750221-1	ADJUSTING ARM ASSY-ALTERNATOR ----- ATTACHING PARTS -----	1	
- 6	0750220-1	BOLT -----	1	
- 7	S1450-6-14-080	WASHER -----	1	
- 8	MS20074-05-10	BOLT -----	1	
- 9	AN960-516	WASHER -----	1	
		*-----		
-10	S2416-1-31.0	BELT-ALTERNATOR -----	1	
-11	643935	BRACKET-ENGINE MOUNT & ALTERNATOR TCM -----	1	
-12	0770416MG4	WIRE TERMINAL BLOCK TO CIRCUIT BREAKER -----	1	B
-13	0770416MG1	WIRE BUS BAR TO CIRCUIT BREAKER -----	1	B
-14	S1050-1	GROMMET 2.88 IN LG BKI -----	1	B
-15	2270026-1	COVER-CIRCUIT BREAKER -----	1	B
-16	2270024-1	BRACKET-CIRCUIT BREAKER -----	1	B
-17	2270023-1	BRACKET-CIRCUIT BREAKER -----	1	B
-18	S1232-60	CIRCUIT BREAKER 60 AMP -----	1	
-19	2215049-1	COVER-CIRCUIT BREAKER ----- ATTACHING PARTS -----	1	B
-20	S1021A4-8	SCREW -----	2	B
		*-----		
-21		SWITCH/CIRCUIT BREAKER SEE INST PANEL -----	1	B
		A---182 SERIAL 18266409 THRU 18266412 18266414, 18266419 & 18266542 & ON F182 SERIAL F18200095 THRU F18200169 B---182 SERIAL 18268435 & ON		

# 182 & T182 Parts Catalog

## Electrical Equipment (Cont)



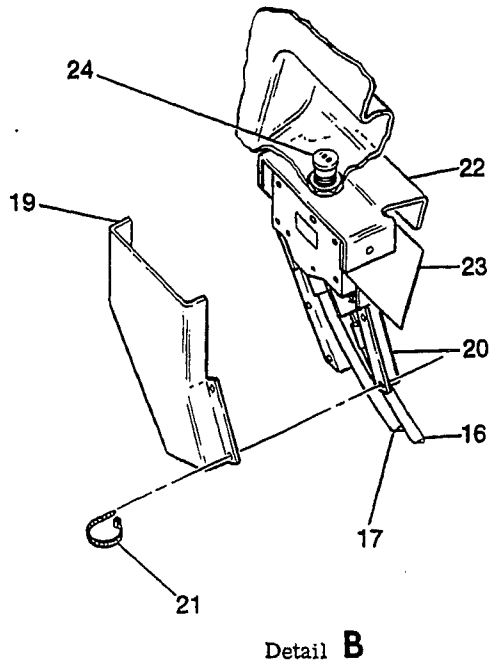
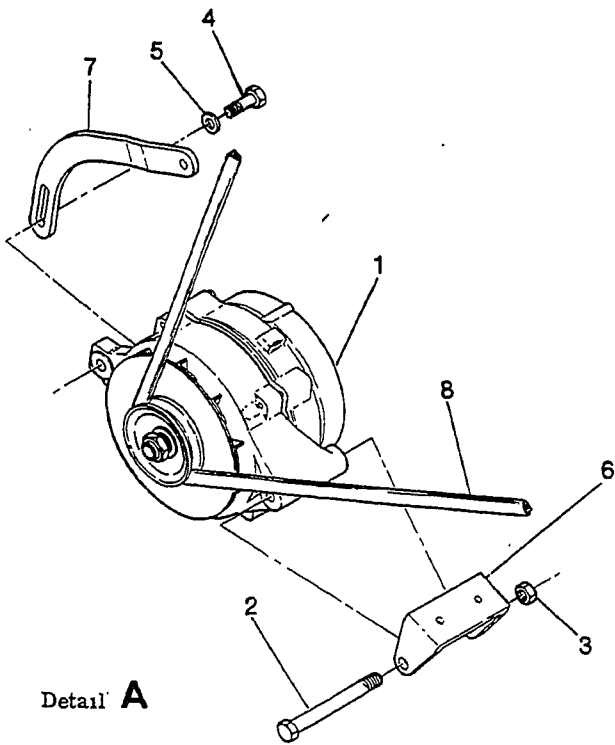
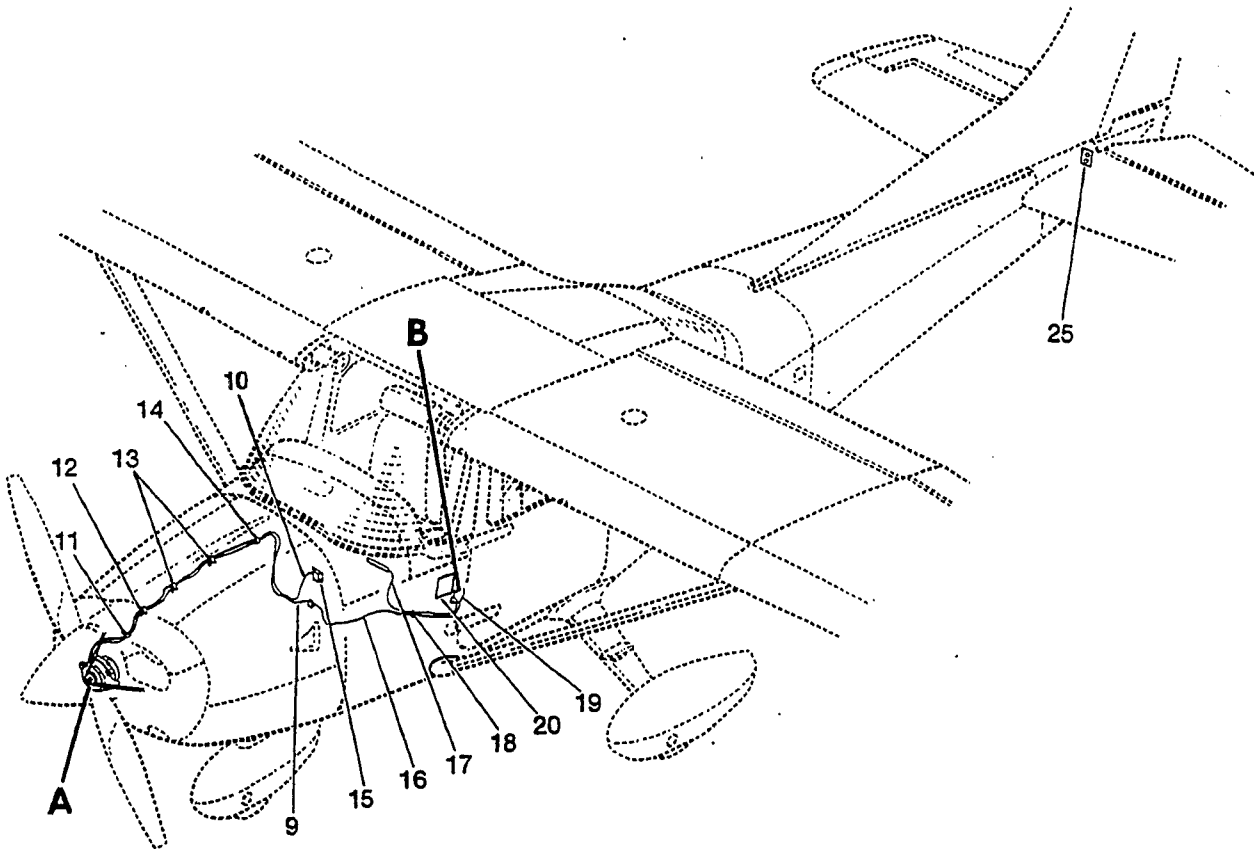
### T182 SERIAL 18267716 & ON

Figure 193. Alternator Installation

FIGURE AND INDEX NO.	PART NUMBER	DESCRIPTION							UNITS PER ASSY	USABLE ON CODE
		1	2	3	4	5	6	7		
193 -		<b>ALTERNATOR INSTALLATION</b> -----							<b>NP</b>	<b>A</b>
- 1	C611503-0102	ALTERNATOR ASSY 60 AMP -----							1	
		<b>ATTACHING PARTS</b> -----								
- 2	0750220-1	BOLT -----							1	
	S1450-6-14-080	WASHER -----							1	
- 3	AN7-40A	BOLT -----							1	
- 4	MS20365-720C	NUT -----							1	
		*-----								
- 5	S1597-1-37.5	BELT-ALTERNATOR DRIVE -----							1	
- 6	LW10729	LINK-ALTERNATOR BELT ADJUSTMENT LY -----							1	
- 7	74323	STRUT-ALTERNATOR SUPPORT -----							1	
		<b>ATTACHING PARTS</b> -----								
- 8	STD690	WASHER -----							1	
- 9	STD1858	BOLT -----							1	
		*-----								
-10	76906	BRACKET-ALTERNATOR -----							1	
		<b>ATTACHING PARTS</b> -----								
-11	STD1838	BOLT -----							2	
	73383	LOCKPLATE -----							1	
		*-----								
		A---T182 SERIAL 18267716 & ON								

# 182 & T182 Parts Catalog

Electrical Equipment (Cont)



**T182 SERIAL 18267716 & ON**

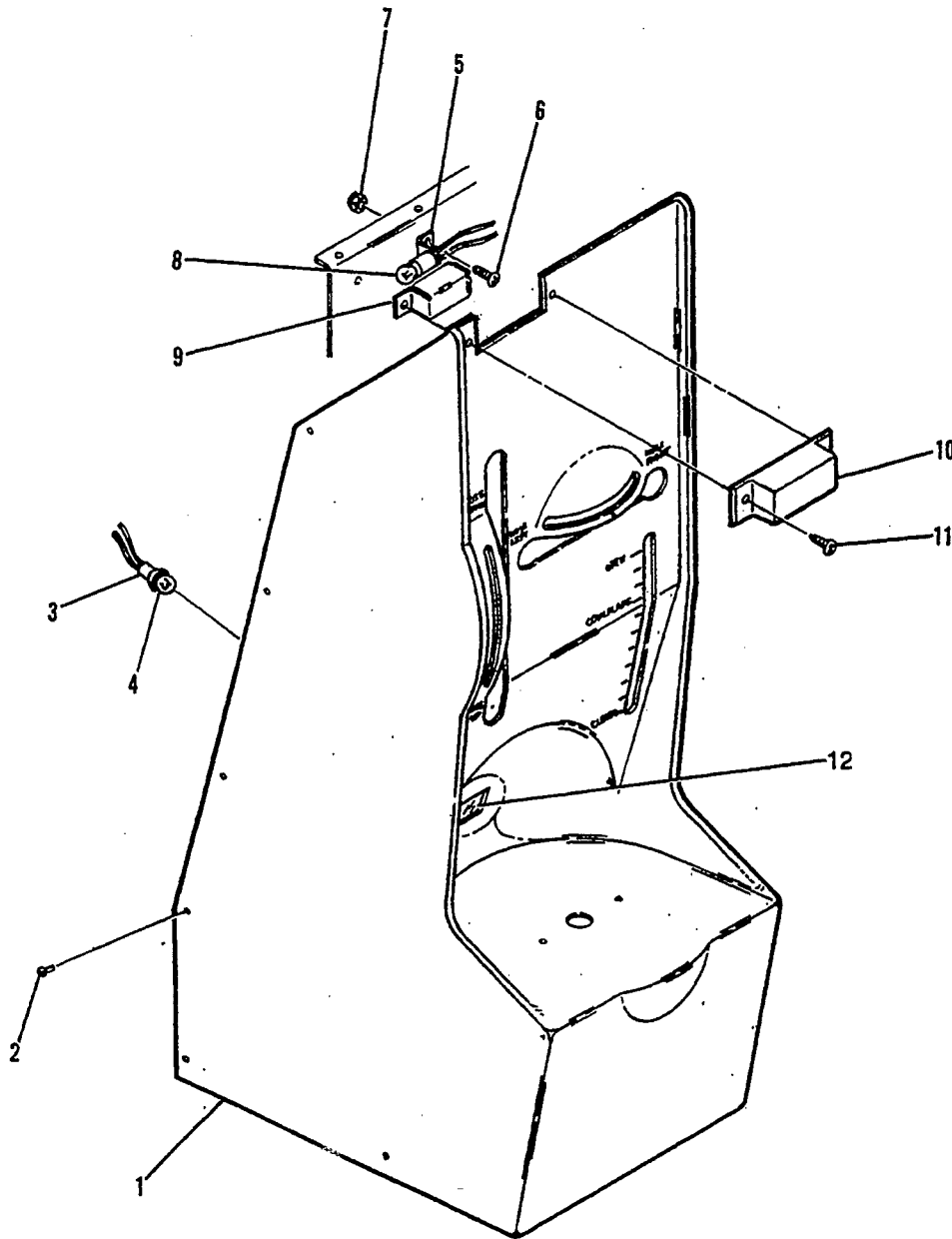
Figure 194. Alternator Installation - 95 AMP

# 182 & T182 Parts Catalog

FIGURE AND INDEX NO.	PART NUMBER	DESCRIPTION							UNITS PER ASSY	USABLE ON CODE
		1	2	3	4	5	6	7		
194 -		ALTERNATOR INSTALLATION 95 AMP -----							NP	A
- 1	C611505-0102	ALTERNATOR ASSY 95 AMP -----							1	
		ATTACHING PARTS								
- 2	AN7-40A	BOLT -----							1	
- 3	MS20365-720C	NUT -----							1	
- 4	0750220-1	BOLT -----							1	
- 5	S1450-6-14-080	WASHER -----							1	
		*-----								
- 6	76906	BRACKET-ALTERNATOR LY -----							1	
- 7	0750289-1	ARM-ALTERNATOR ADJUSTING -----							1	
- 8	S1597-1-38.5	BELT-ALTERNATOR DRIVE -----							1	
- 9	0770139PB12	WIRE ALTERNATOR TO BATTERY -----							1	
- 10	0770139PB11	WIRE GROUND -----							1	
		ATTACHING PARTS								
	AN936A416	WASHER BATTERY WIRE -----							1	
	AN340-416	NUT BATTERY WIRE -----							1	
	AN935-10	WASHER GROUND WIRE -----							1	
	S1450-3-10-032	WASHER GROUND WIRE -----							1	B
	AN340-10	NUT GROUND WIRE -----							1	C
- 11	S2300-6	BRACKET -----							1	
	MS21919DG12	CLAMP -----							1	
	AN520-10R6	SCREW -----							1	
	AN960-PD10	WASHER -----							1	
	MS21045L3	NUT -----							1	
- 12	S2300-14	BRACKET -----							1	
	MS20074-04-30	BOLT -----							1	
	NAS43HT4-96	SPACER -----							1	
	MS21919DG12	CLAMP -----							1	
	AN520-10R6	SCREW -----							1	
	AN960PD10	WASHER -----							1	
	MS21045L3	NUT -----							1	
- 13	S2300-14	BRACKET -----							2	
	MS21919DG12	CLAMP -----							2	
	AN520-10R6	SCREW -----							2	
	AN960PD10	WASHER -----							2	
	MS21045L3	NUT -----							2	
- 14	MS21919DG12	CLAMP -----							1	
	S2209-1	STA-STRAP -----							AR	
		*-----								
- 15	SEE FIG 185	ALTERNATOR CONTROL UNIT -----							1	
- 16	0770139PB13	WIRE TERMINAL BLOCK TO CIRCUIT BREAKER -----							1	
- 17	0770139PB14	WIRE CIRCUIT BREAKER TO BUS BAR -----							1	
- 18	S1050-1	GROMMET 2.88 IN LG BKT REF S1051-1-2.88 -----							1	
- 19	2270026-1	COVER -----							1	
- 20	2270026-2	COVER -----							1	
		ATTACHING PARTS								
- 21	S2209-1	STA-STRAP -----							5	
		*-----								
- 22	2270024-1	BRACKET -----							1	
- 23	2270023-1	BRACKET -----							1	
- 24		CIRCUIT BREAKER SEE INST PNL -----							1	
- 25	2201074-4	WEIGHT-BALANCE USED WITH 95 AMP ALTERNATOR -----							1	
	2201074-4	WEIGHT-BALANCE USED WITH 95 AMP ALTERNATOR & 3 BLADE PROP -----							5	
		ATTACHING PARTS								
	AN3-6A	BOLT USED WITH 1 WEIGHT -----							2	
	AN3-11A	BOLT USED WITH 2 WEIGHTS -----							2	
	AN960-10	WASHER -----							4	
	MS21044N3	NUT -----							2	
		*-----								
		A---T182 SERIAL 18267716 & ON B---T182 SERIAL 18267716 THRU 18268352 C---T182 SERIAL 18268353 & ON								

# 182 & T182 Parts Catalog

## Console Cover & Lighting



**182 SERIAL 18262466 THRU 18268055**  
**F182 SERIAL F18200001 THRU F18200169**  
**T182 SERIAL 18267716 THRU 18268055**

Figure 195. Console Cover & Lighting Installation

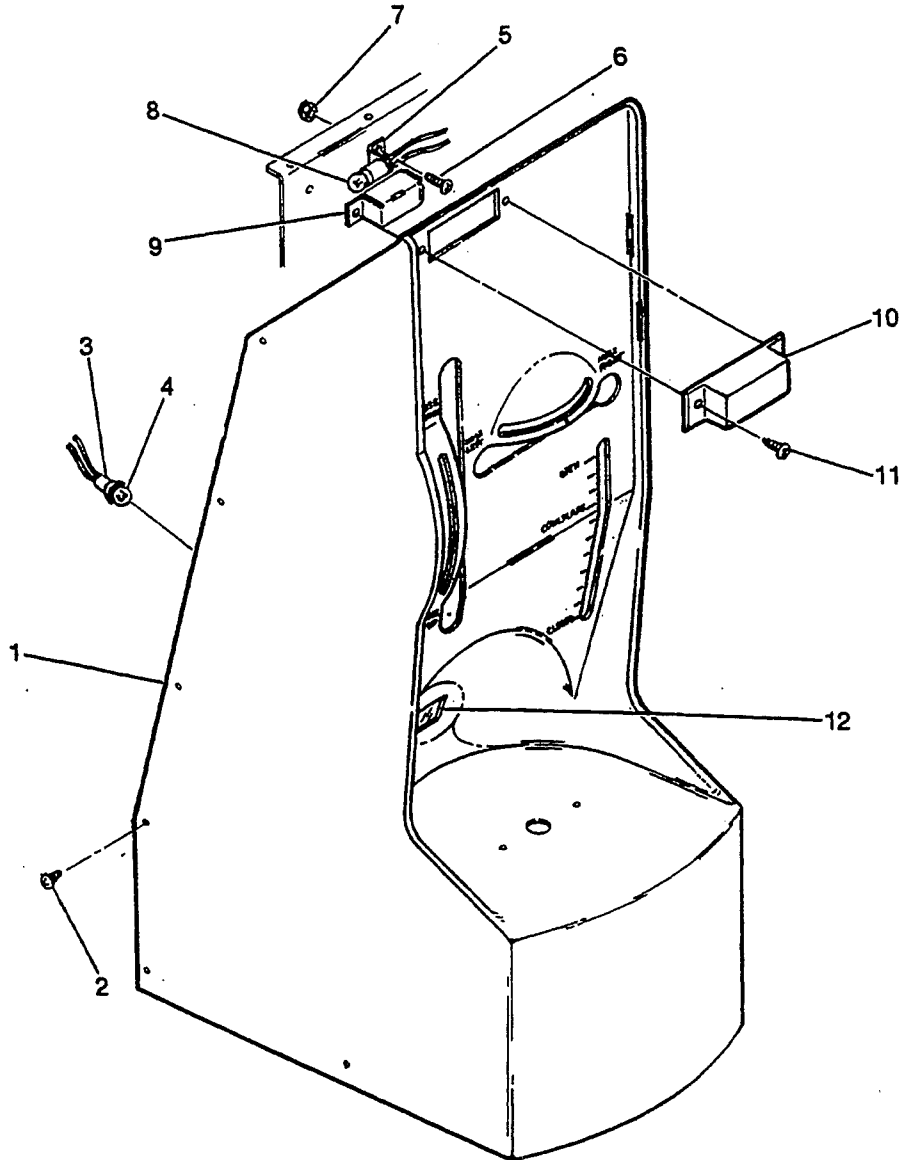


# 182 & T182 Parts Catalog

FIGURE AND INDEX NO.	PART NUMBER		DESCRIPTION							UNITS PER ASSY	USABLE ON CODE
			1	2	3	4	5	6	7		
195 -			CONSOLE COVER & LIGHTING INSTALLATION -----							NP	A
- 1	0713811-5	<	COVER ASSY -----							1	B
	0713811-7	<	COVER ASSY -----							1	C
	0713811-15	<	COVER ASSY -----							1	D
			ATTACHING PARTS								
- 2	S1021Z8-6		SCREW -----							11	
			-----*								
- 3	S2525-1		LAMPHOLDER -----							1	
- 4	53		LAMP-CONSOLE GE 12 VOLT -----							1	E
	MS25231-1829		LAMP-CONSOLE GE 24 VOLT -----							1	D
- 5	4165-308		LAMPHOLDER -----							1	
			ATTACHING PARTS								
- 6	AN515-4R6		SCREW -----							1	
- 7	NAS679A04		NUT -----							1	
			-----*								
- 8	53		LAMP-CONSOLE GE 12 VOLT -----							1	E
	MS25231-1829		LAMP-CONSOLE GE 24 VOLT -----							1	D
- 9	0713972-4		REFLECTOR-LAMP -----							1	
-10	0713972-1	<	COVER ASSY-LIGHT -----							1	E
	0713972-5	<	COVER ASSY-LIGHT -----							1	D
			ATTACHING PARTS								
-11	S1021A6-8		SCREW -----							2	
			-----*								
-12	0713363-1		LENS -----							1	
<p>NOTE. &lt;THIS PART NUMBER MUST HAVE A SECOND DASH NUMBER ADDED TO DENOTE COLOR. REFER TO HOW TO ORDER INTERIOR PARTS-PAGE XIII.</p> <p>A---182 SERIAL 18262466 THRU 18268055            F182 SERIAL F18200001 THRU F18200169            T182 SERIAL 18267716 THRU 18268055            B---182 SERIAL 18262466 THRU 18264295            C---182 SERIAL 18264296 THRU 18265965            F182 SERIAL F18200001 THRU F18200064            D---182 SERIAL 18265966 THRU 18268055            F182 SERIAL F18200065 THRU F18200169            T182 SERIAL 18267716 THRU 18268055            E---182 SERIAL 18262466 THRU 18265965            F182 SERIAL F18200001 THRU F18200064</p>											

# 182 & T182 Parts Catalog

## Console Cover & Lighting



**182 SERIAL 18268056 & ON**

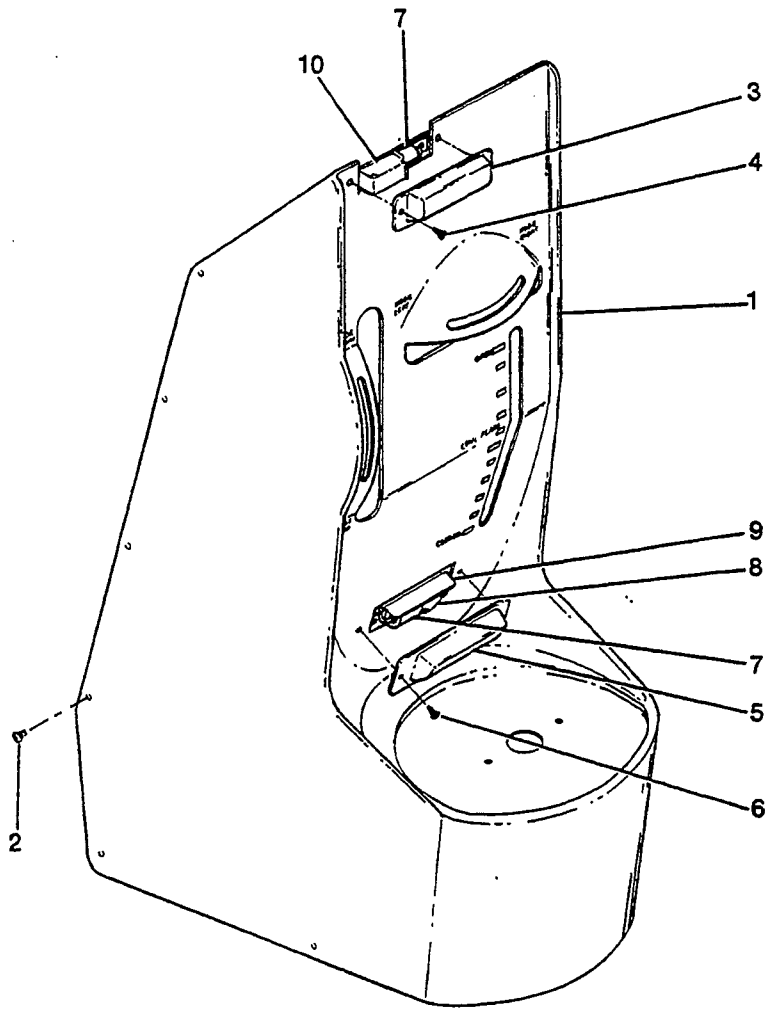
Figure 195A. Console Cover & Lighting Installation

# 182 & T182 Parts Catalog

FIGURE AND INDEX NO.	PART NUMBER	DESCRIPTION							UNITS PER ASSY	USABLE ON CODE
		1	2	3	4	5	6	7		
195A-		<b>CONSOLE COVER &amp; LIGHTING INSTALLATION -----</b>							NP	A
- 1	0713811-19-279	COVER ASSY -----							1	
		ATTACHING PARTS								
- 2	S1021Z8-6	SCREW -----							11	
		*-----								
- 3	4165-447	LAMPHOLDER -----							1	
- 4	MS25231-1829	LAMP-CONSOLE GE 24 VOLT -----							1	
- 5	4165-447	LAMPHOLDER -----							1	
		ATTACHING PARTS								
- 6	AN515-4R6	SCREW -----							1	
- 7	NAS679A04	NUT -----							1	
		*-----								
- 8	MS25231-1829	LAMP-CONSOLE GE 24 VOLT -----							1	
- 9	0713972-4	REFLECTOR-LAMP -----							1	
-10	0713972-5-279	COVER ASSY-LIGHT -----							1	
		ATTACHING PARTS								
-11	S1021A6-8	SCREW -----							2	
		*-----								
-12	0713363-1	LENS -----							1	
A---182 SERIAL 18268056 & ON										

# 182 & T182 Parts Catalog

## Console Cover & Lighting



**T182 SERIAL 18268056 & ON**

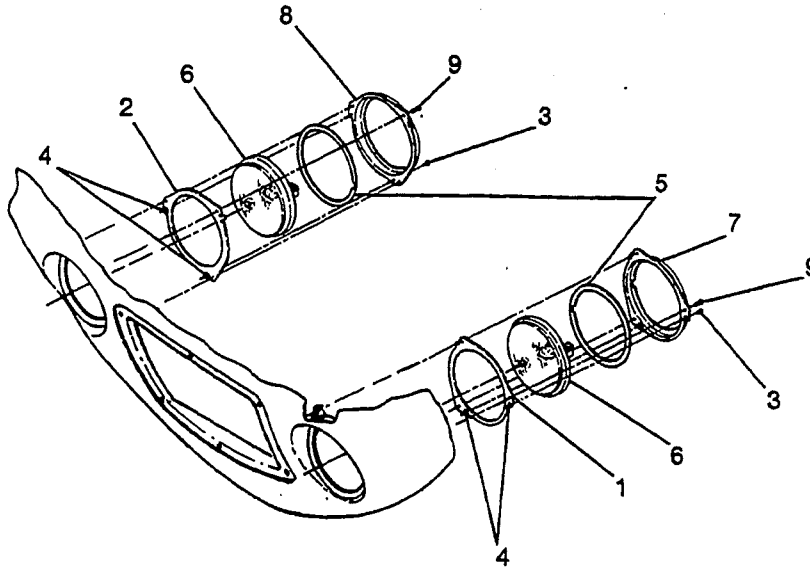
Figure 195B. Console Cover & Lighting Installation

# 182 & T182 Parts Catalog

FIGURE AND INDEX NO.	PART NUMBER	1	2	3	4	5	6	7	DESCRIPTION	UNITS PER ASSY	USABLE ON CODE
195B-									CONSOLE COVER & LIGHTING INSTALLATION -----	NP	A
- 1	2213116-2-279								COVER ASSY -----	1	
									ATTACHING PARTS -----		
- 2	S1021Z8-6								SCREW -----	11	
									-----*		
- 3	0713972-5								COVER ASSY-LIGHT -----	1	
									ATTACHING PARTS -----		
- 4	S1021A6-8								SCREW -----	2	
									-----*		
- 5	2213119-1								COVER ASSY-LIGHT -----	1	
									ATTACHING PARTS -----		
- 6	S1021Z6-8B								SCREW -----	2	
									-----*		
- 7	S2522-1								SOCKET -----	2	
									ATTACHING PARTS -----		
	AN515-4R6								SCREW -----	2	
	MS21044N04								NUT -----	2	
									-----*		
- 8	MS25231-1829								LAMP -----	2	
- 9	2213117-2								REFLECTOR -----	1	
-10	0713972-4								REFLECTOR -----	1	
A---T182 SERIAL 18268056 & ON											

# 182 & T182 Parts Catalog

## Electrical Equipment (Cont)



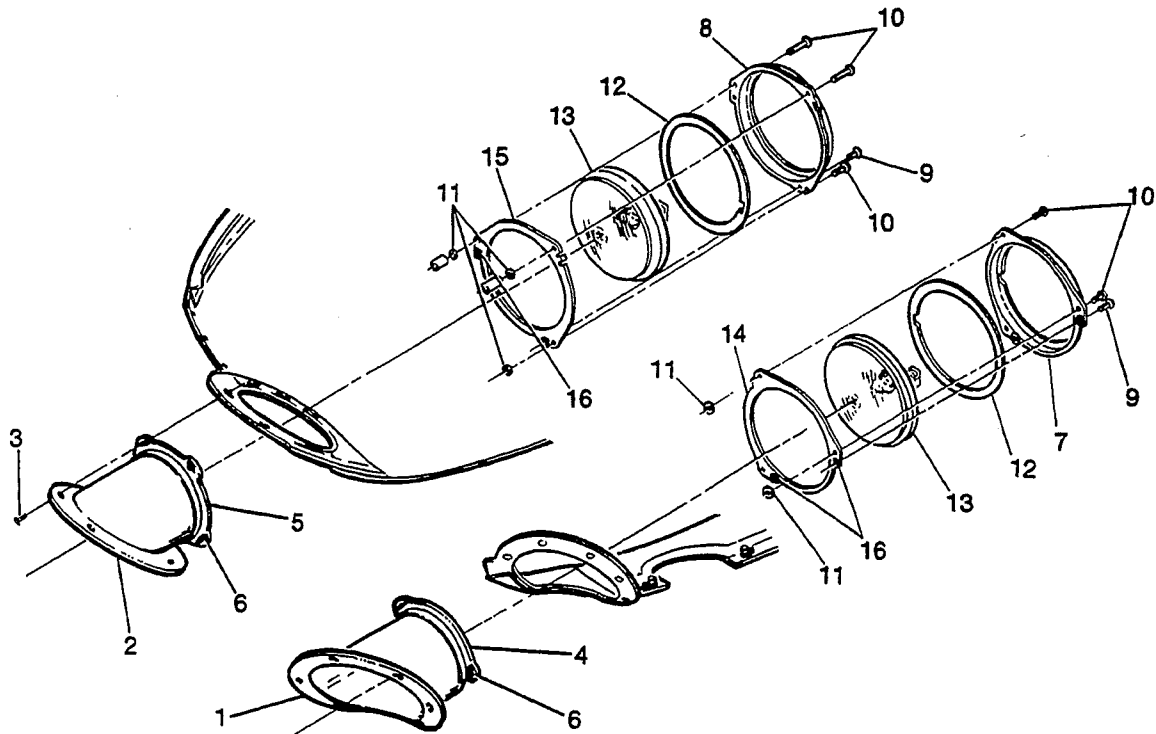
### 182 SERIAL 18262466 & ON F182 SERIAL F1820001 THRU F18200169

Figure 196. Landing Lights Installation

FIGURE AND INDEX NO.	PART NUMBER	DESCRIPTION							UNITS PER ASSY	USABLE ON CODE
		1	2	3	4	5	6	7		
196 -		LANDING LIGHTS INSTALLATION -----							NP	A
- 1	0752644-5	PLATE ASSY-LH -----							1	
- 2	0752644-6	PLATE ASSY-RH -----							1	
		ATTACHING PARTS -----								
- 3	S1021Z6-8	SCREW -----							2	
		-----*								
- 4	NAS488-1-3	NUTPLATE -----							2	
- 5	0752646-1	GASKET -----							AR	
- 6	4509	LIGHT-LANDING 12 VOLT -----							2	B
	4591	LIGHT-LANDING 24 VOLT -----							2	C
- 7	0752644-1	BRACKET-LH -----							1	
- 8	0752644-2	BRACKET-RH -----							1	
		ATTACHING PARTS -----								
- 9	AN515-8R8	SCREW -----							3	
		-----*								
		A---182 SERIAL 18262466 & ON F182 SERIAL F1820001 THRU F18200169 B---182 SERIAL 18262466 THRU 18265965 F182 SERIAL F1820001 THRU F18200065 C---182 SERIAL 18265966 & ON F182 SERIAL F18200066 THRU F18200169								

# 182 & T182 Parts Catalog

Electrical Equipment (Cont)



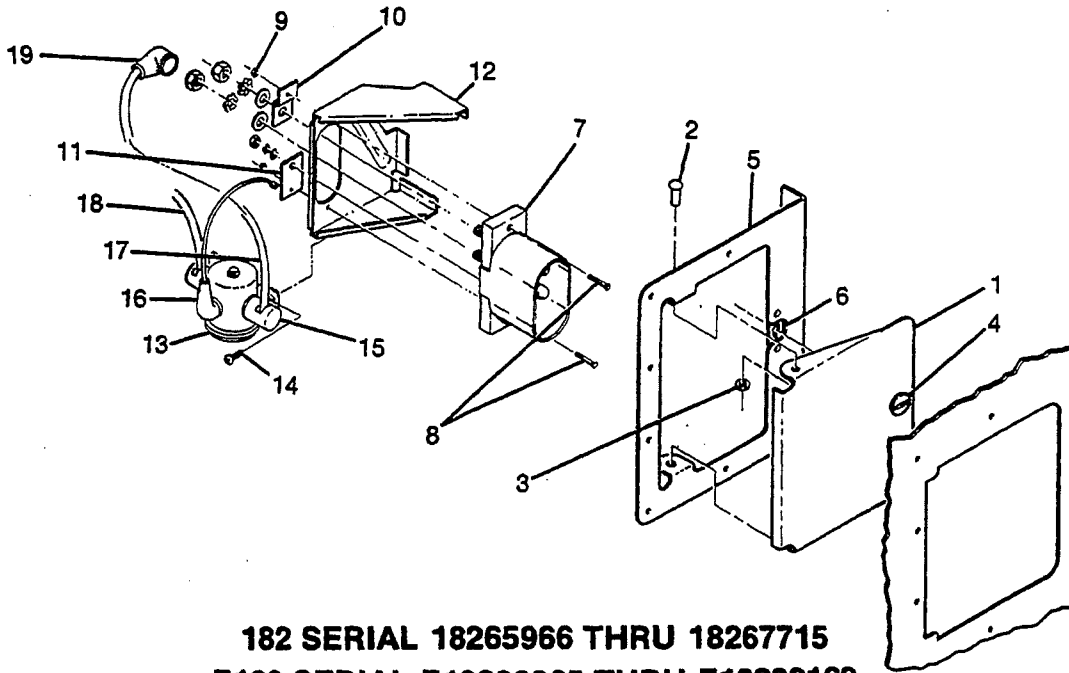
## T182 SERIAL 18267716 & ON

Figure 197. Landing Lights Installation

FIGURE AND INDEX NO.	PART NUMBER	DESCRIPTION							UNITS PER ASSY	USABLE ON CODE
		1	2	3	4	5	6	7		
197 -		LANDING LIGHT INSTALLATION -----							NP	A
- 1	2252051-9	HOUSING ASSY-LANDING LIGHT LH -----							1	
- 2	2252051-10	HOUSING ASSY-LANDING LIGHT RH -----							1	
		ATTACHING PARTS								
- 3	AN509-10R8	SCREW -----							5	
		-----*								
- 4	0752645-1	ATTACH RING ASSY-LH -----							1	
- 5	0752645-2	ATTACH RING ASSY-RH -----							1	
- 6	NAS697A08	NUTPLATE -----							3	
- 7	0752644-1	BRACKET-LH -----							1	
- 8	0752644-2	BRACKET-RH -----							1	
		ATTACHING PARTS								
- 9	S1021Z6-8	SCREW -----							2	
-10	AN515-8R8	SCREW -----							3	
-11	NAS620-10L	WASHER -----							AR	
	NAS620-10	WASHER -----							AR	
		-----*								
-12	0752646-1	GASKET-LANDING LIGHT -----							AR	
-13	4591	LANDING LIGHT GE -----							2	
-14	0752644-5	PLATE ASSY-LH -----							1	
-15	0752644-6	PLATE ASSY-RH -----							1	
-16	NAS488-1-3	NUT -----							2	
		A---T182 SERIAL 18267716 & ON								

# 182 & T182 Parts Catalog

## Electrical Equipment (Cont)



**182 SERIAL 18265966 THRU 18267715  
F182 SERIAL F1820065 THRU F18200169**

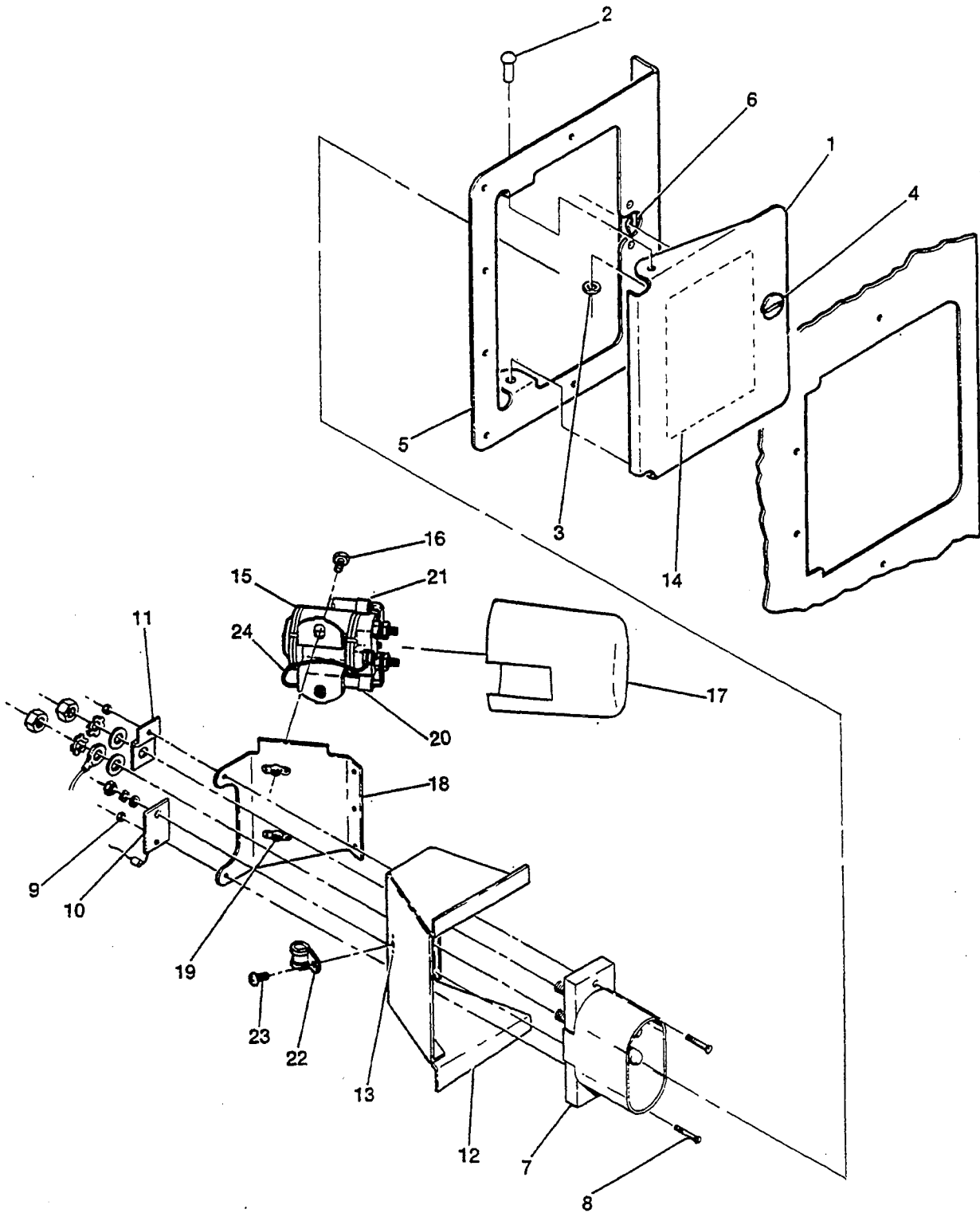
Figure 198. External Power Receptacle Installation

FIGURE AND INDEX NO.	PART NUMBER	DESCRIPTION							UNITS PER ASSY	USABLE ON CODE
		1	2	3	4	5	6	7		
198 -		EXTERNAL POWER RECEPTACLE INSTALLATION -----							NP	A
- 1	0552161-4	DOOR ASSY-EXTERNAL POWER RECEPTACLE -----							1	
- 2	MS20450C8-5	ATTACHING PARTS -----								
- 3	AN960XC4L	RIVET -----							2	
		WASHER -----							4	
		*-----								
- 4	S1115-1	STUD -----							1	
	S1115-9	RING -----							1	
- 5	0552161-2	DOUBLER ASSY -----								
- 6	S1115-19	RECEPTACLE -----							1	
- 7	MS3506-1	RECEPTACLE-EXTERNAL POWER -----							1	
		ATTACHING PARTS -----								
- 8	AN509-10R14	SCREW -----							2	
- 9	MS21044N3	NUT -----							2	
		*-----								
-10	0312155-10	GROUND STRAP -----							1	
-11	1570043-15	DIODE BOARD -----							1	
	NAS43DD3-8	SPACER -----							1	
-12	0701036-2	BRACKET-RECEPTACLE SUPPORT -----							1	
-13	S1577-1	CONTACTOR -----							1	
		ATTACHING PARTS -----								
-14	AN520-416R8	SCREW -----							2	
		*-----								
-15	S1807-1	COVER-TERMINAL -----							2	
	S2209-2	STA-STRAP -----							2	
-16	MS25171-1S	NIPPLE -----							1	
-17	0770416PC4	CABLE-RECEPTACLE TO CONTACTOR -----							1	
-18	0770416PC3	CABLE-CONTACTOR TO STARTER CONTACTOR -----							1	
-18	0770416PC6	CABLE-CONTACTOR TO STARTER CONTACTOR -----							1	B
-19	MS25171-3S	NIPPLE -----							1	C
		A---182 SERIAL 18265966 THRU 18267715 F182 SERIAL F1820065 THRU F18200169								
		B---182 SERIAL 18265966 THRU 18266962 F182 SERIAL F1820065 THRU F18200129								
		C---182 SERIAL 18266963 THRU 18267715 F182 SERIAL F18200130 THRU F18200169								



# 182 & T182 Parts Catalog

## Electrical Equipment (Cont)



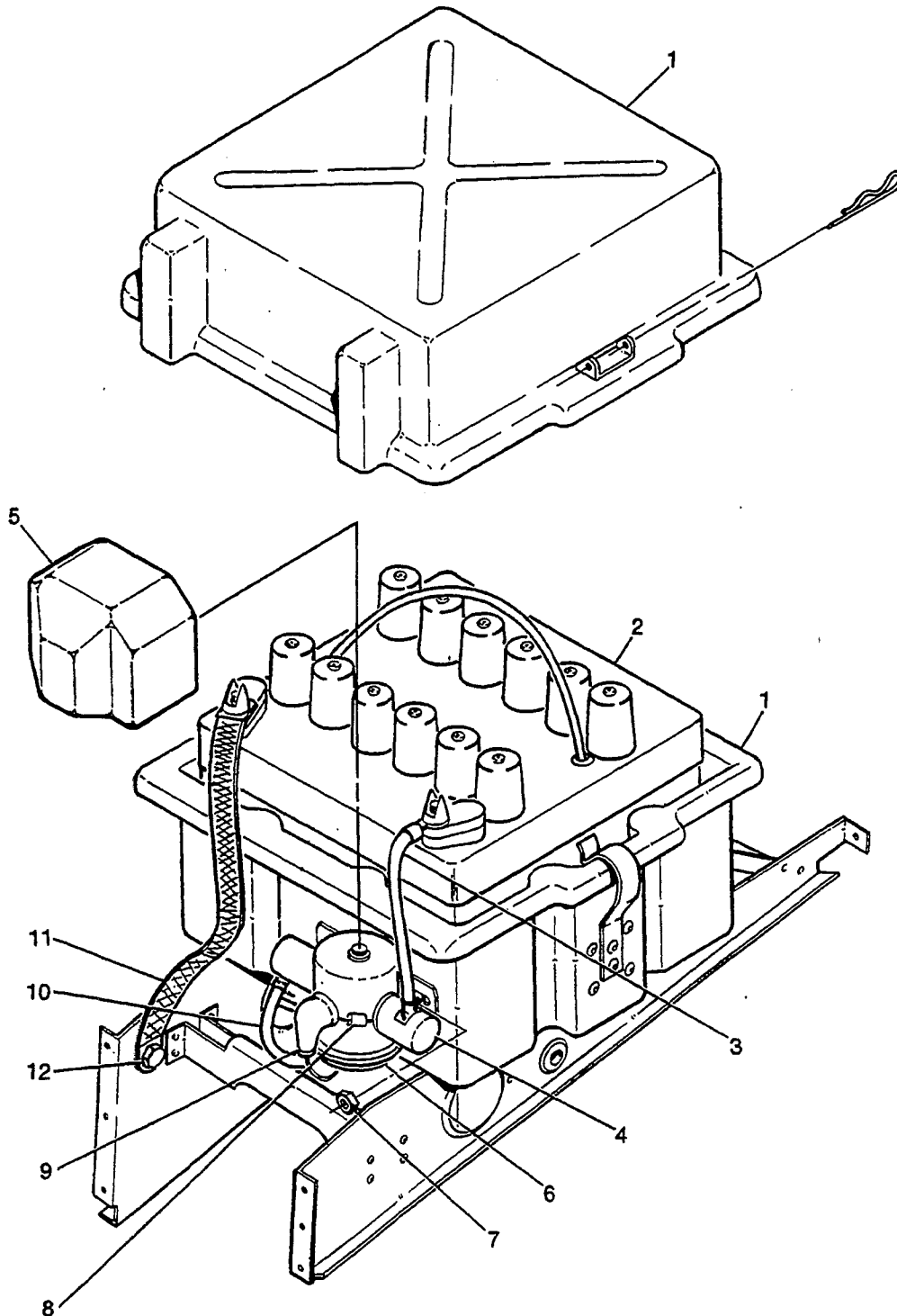
**182 & T182 SERIAL 18267716 & ON**  
Figure 199. External Power Receptacle Installation

# 182 & T182 Parts Catalog

FIGURE AND INDEX NO.	PART NUMBER	DESCRIPTION							UNITS PER ASSY	USABLE ON CODE
		1	2	3	4	5	6	7		
199 -		EXTERNAL POWER RECEPTACLE INSTALLATION -----							NP	A
- 1	2252029-4	DOOR ASSY-EXTERNAL POWER RECEPTACLE -----							1	
		ATTACHING PARTS								
- 2	MS20450C8-6	RIVET -----							2	
- 3	AN960X4CL	WASHER -----							4	
		*-----								
- 4	S1115-1	STUD -----							1	
	S1115-9	RING -----							1	
- 5	2252029-2	DOUBLER ASSY -----							1	
- 6	S1115-19	RECEPTACLE -----							1	
- 7	MS3506-1	RECEPTACLE-EXTERNAL POWER -----							1	
		ATTACHING PARTS								
- 8	AN509-10R14	SCREW -----							2	
- 9	MS21045L3	NUT -----							2	
		*-----								
-10	1570043-15	DIODE BOARD ASSY -----							1	
-11	0553010-1	GROUND STRAP -----							1	
-12	2270018-1	BRACKET ASSY-RECEPTACLE -----							1	
-13	NAS680A3K	NUTPLATE -----							1	
-14	SEE FIG 4	PLACARD-BATTERY POLARITY -----							1	
-15	S2475-1	CONTACTOR -----							1	
		ATTACHING PARTS								
-16	AN3-3A	BOLT -----							2	
		*-----								
-17	0712079-4	COVER -----							1	
-18	2270033-1	BRACKET ASSY-CONTACTOR MOUNT -----							1	
-19	NAS680A3	NUTPLATE -----							2	
-20	0770139PC3	CABLE EXT PWR CONTACTOR TO BAT CONTACTOR T182 -----							1	
	0770139PC7	CABLE EXT PWR CONTACTOR TO BAT CONTACTOR 182 -----							1	
-21	0770139PC5	CABLE EXT PWR CONTACTOR TO RECEPTACLE T182 -----							1	
	0770139PC4	CABLE EXT PWR CONTACTOR TO RECEPTACLE 182 -----							1	
		ATTACHING PARTS								
-22	MS21919DG5	CLAMP -----							1	
-23	AN520-10R6	SCREW -----							1	
		*-----								
-24	0770139PC2	WIRE-GROUND CONTACTOR TO GROUND T182 -----							1	
	0770139PC9	WIRE-GROUND CONTACTOR TO GROUND 182 -----							1	
A---182 & T182 SERIAL 18267716 & ON										

# 182 & T182 Parts Catalog

## Electrical Equipment (Cont)



**182 SERIAL 18265966 THRU 18266523**  
**F182 SERIAL F1820065 THRU F18200144**

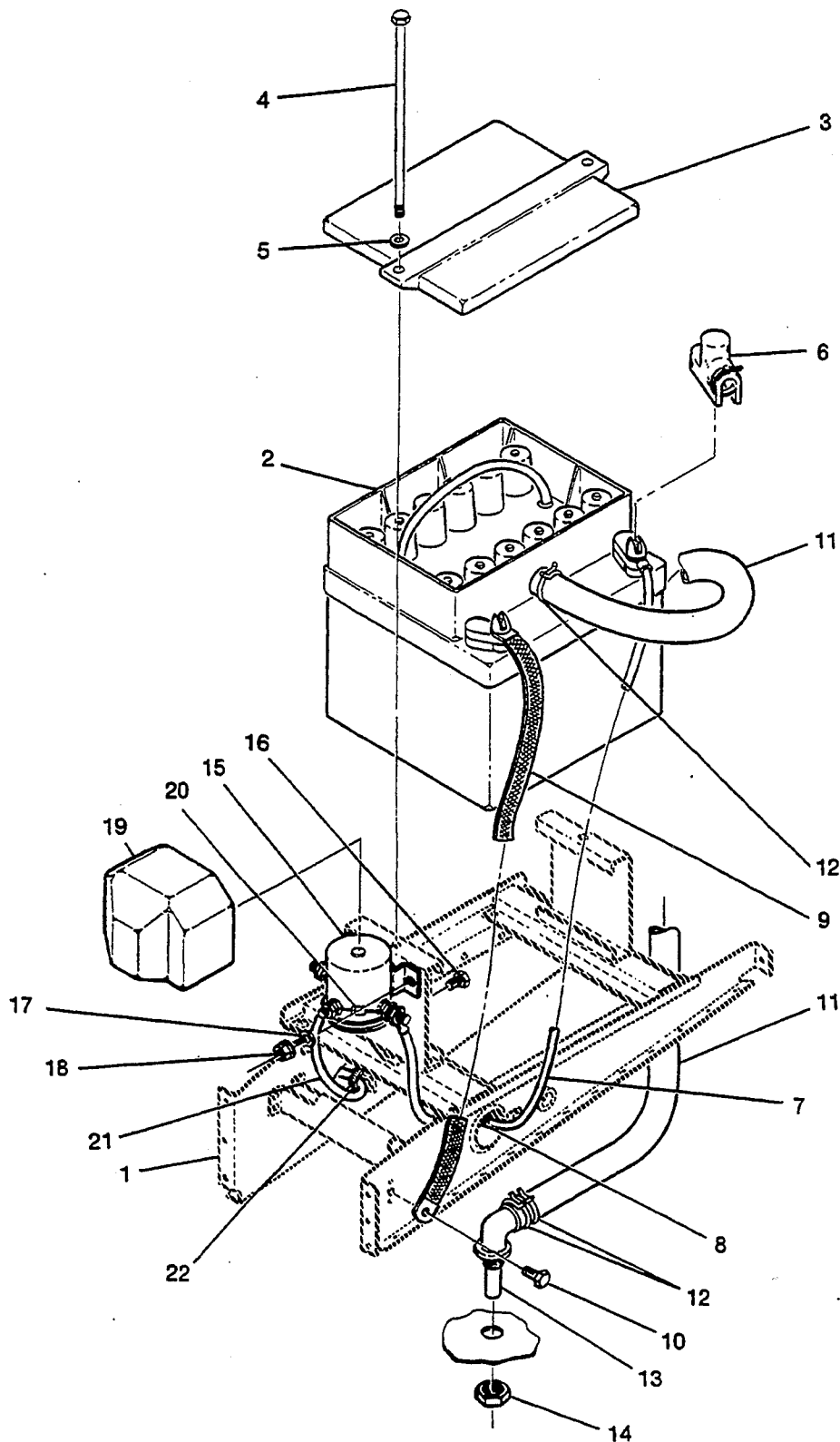
Figure 200. Battery Installation

# 182 & T182 Parts Catalog

FIGURE AND INDEX NO.	PART NUMBER	DESCRIPTION							UNITS PER ASSY	USABLE ON CODE
		1	2	3	4	5	6	7		
200 -		BATTERY INSTALLATION -----							NP	A
- 1	SEE FIG 53	BATTERY BOX INSTALLATION -----							NP	
- 2	C614001-0101	BATTERY ASSY STANDARD WEU C614001-0105 -----							1	
	C614001-0105	BATTERY ASSY STANDARD -----							1	
	C614001-0102	BATTERY ASSY HEAVY DUTY WEU C614001-0106 -----							1	
	C614001-0106	BATTERY ASSY HEAVY DUTY -----							1	
- 3	0770416PA1	CABLE-BATTERY TO BATTERY CONTACTOR -----							1	
- 4	S1807-1	COVER -----							2	
	S2209-2	STA-STRAP -----							2	
- 5	0712765-2	COVER-BATTERY CONTACTOR -----							1	
- 6	S1580-1	CONTACTOR-BATTERY -----							1	
		ATTACHING PARTS								
- 7	MS21042L4	NUT -----							2	
	AN970-4	BOLT -----							2	
	AN4-3A	WASHER -----							2	
		-----*								
- 8	0770728-1	DIODE ASSY-BATTERY CONTACTOR -----							1	
- 9	MS25171-3S	NIPPLE -----							1	
-10	0770416PA4	CABLE-BATTERY CONTACTOR TO STARTER CONTACTOR -----							1	B
	0770416PA11	CABLE-BATTERY CONTACTOR TO STARTER CONTACTOR -----							1	C
-11	0412007-12	STRAP-BATTERY GROUND -----							1	
		ATTACHING PARTS								
-12	AN4-4A	BOLT -----							1	
	AN960-416L	WASHER -----							1	
		-----*								
		A---182 SERIAL 18265966 THRU 18266523 F182 SERIAL F18200065 THRU F18200144 B---182 SERIAL 18265966 THRU 18266523 F182 SERIAL F18200065 THRU F18200129 C---F182 SERIAL F18200130 THRU F18200144								

# 182 & T182 Parts Catalog

## Electrical Equipment (Cont)



**182 SERIAL 18266524 THRU 18267715**  
**F182 SERIAL F18200145 THRU F18200169**

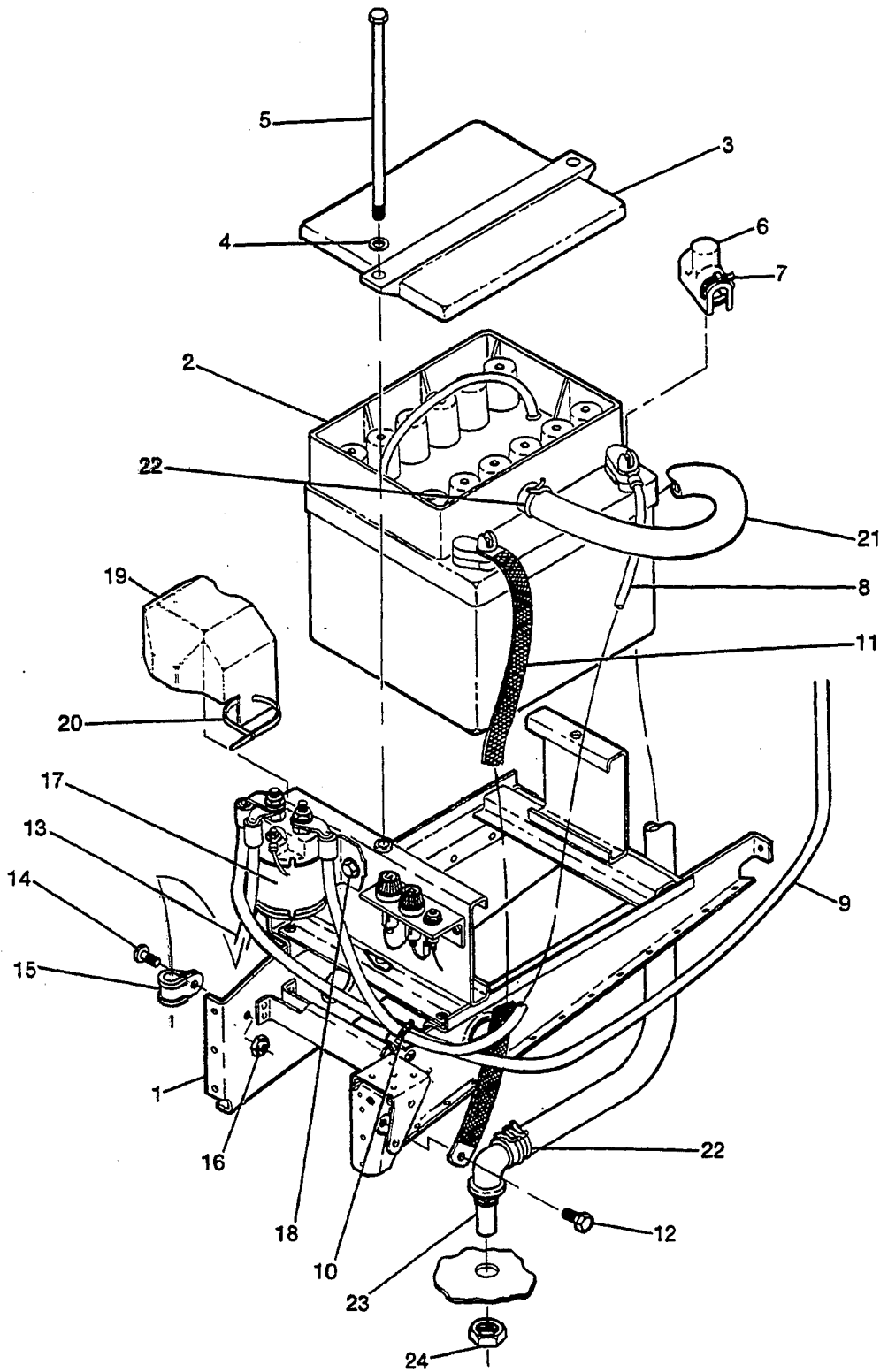
Figure 201. Manifold Battery Installation

# 182 & T182 Parts Catalog

FIGURE AND INDEX NO.	PART NUMBER	DESCRIPTION	UNITS PER ASSY	USABLE ON CODE
201 -		MANIFOLD BATTERY INSTALLATION -----	NP	A
- 1	SEE FIG 54	SUPPORT ASSY-MANIFOLD BATTERY -----	1	
- 2	C614002-0101	BATTERY ASSY-MANIFOLD STANDARD -----	1	
	C614002-0102	BATTERY ASSY-MANIFOLD HEAVY DUTY -----	1	
- 3	0935	COVER ASSY-MANIFOLD BATTERY GLTC -----	1	
		ATTACHING PARTS -----		
- 4	S2480-2	BOLT -----	2	
- 5	AN960-416	WASHER -----	2	
		-----*		
- 6	0712076-1	COVER ASSY-TERMINAL -----	1	
- 7	0770416PA1	CABLE-BATTERY BATTERY CONTACTOR -----	1	
		ATTACHING PARTS -----		
- 8	S2209-2	STA-STRAP -----	1	
		-----*		
- 9	0412007-12	STRAP-BATTERY GROUND -----	1	
		ATTACHING PARTS -----		
-10	AN4-3A	BOLT -----	1	
		-----*		
-11	S1775-3	TUBE-BATTERY DRAIN 18.00 IN LG -----	1	
		ATTACHING PARTS -----		
-12	S1494-12	CLAMP -----	3	
-13	0712075-1	ELBOW -----	1	
-14	S1490-10	NUT -----	1	
	AN960PD1016L	WASHER -----	1	
		-----*		
-15	S1580-1	CONTACTOR-BATTERY -----	1	
		ATTACHING PARTS -----		
-16	AN4-3A	BOLT -----	2	
-17	AN970-4	WASHER -----	2	
-18	MS21042L4	NUT -----	2	
		-----*		
-19	0712765-2	COVER-BATTERY CONTACTOR -----	1	
-20	0770728-1	DIODE ASSY -----	1	
-21	0770416PA4	CABLE-BATTERY CONTACTOR TO STARTER CONTACTOR -----	1	B
	0770416PA11	CABLE-BATTERY CONTACTOR TO STARTER CONTACTOR -----	1	C
		ATTACHING PARTS -----		
-22	S2209-2	STA-STRAP -----	1	
		-----*		
A---182 SERIAL 18266524 THRU 18267715 F182 SERIAL F18200145 THRU F18200169 B---182 SERIAL 18266524 THRU 18266977 C---182 SERIAL 18266978 THRU 18267715 F182 SERIAL F18200145 THRU F18200169				

# 182 & T182 Parts Catalog

## Electrical Equipment (Cont)



**182 & T182 SERIAL 18267716 & ON**

Figure 202. Manifold Battery Installation

# 182 & T182 Parts Catalog

FIGURE AND INDEX NO.	PART NUMBER	DESCRIPTION	UNITS PER ASSY	USABLE ON CODE
202 -		MANIFOLD BATTERY INSTALLATION -----	NP	A
- 1	SEE FIG 55	SUPPORT ASSY-MANIFOLD BATTERY -----	1	
- 2	C614002-0101	BATTERY ASSY-MANIFOLD STANDARD -----	1	
	C614002-0102	BATTERY ASSY-MANIFOLD HEAVY DUTY -----	1	
- 3	0935	COVER ASSY-MANIFOLD BATTERY GLTC -----	1	
		ATTACHING PARTS -----		
- 4	AN916-416	WASHER -----	2	
- 5	S2480-2	BOLT -----	2	
	AN4-66A	BOLT ALT -----	2	
		-----*		
- 6	0770741-2	COVER-TERMINAL -----	1	
		ATTACHING PARTS -----		
- 7	S2209-1	TIE -----	2	
		-----*		
- 8	0770416PA13	CABLE-BATTERY TO BATTERY CONTACTOR 182 ONLY -----	1	
	0770139PA5	CABLE-BATTERY TO BATTERY CONTACTOR T182 ONLY -----	1	
- 9	0770416PC7	CABLE-BATTERY CONTACTOR TO EXTERNAL POWER CONTACTOR -----	1	
		182 ONLY -----		
	0770139PC3	CABLE-BATTERY CONTACTOR TO EXTERNAL POWER CONTACTOR -----	1	
		T182 ONLY -----		
		ATTACHING PARTS -----		
-10	S2209-2	TIE -----		
		-----*		
-11	0412007-12	STRAP-BATTERY GROUND -----	1	
		ATTACHING PARTS -----		
-12	AN4-3A	BOLT -----	1	
		-----*		
-13	0770416PA14	CABLE-BATTERY CONTACTOR TO STARTER CONTACTOR 182 ONLY -----	1	
	0770139PA2	CABLE-BATTERY CONTACTOR TO STARTER CONTACTOR T182 ONLY -----	1	
		ATTACHING PARTS -----		
-14	AN515-8R8	SCREW -----	1	
-15	MS21919DG7	CLAMP -----	1	
-16	MS20364-832C	NUT -----	1	
		-----*		
-17	S2475-1	CONTACTOR-BATTERY -----	1	B
	S2475-2	CONTACTOR-BATTERY -----	1	C
		ATTACHING PARTS -----		
-18	AN4-3A	BOLT -----	2	
	AN970-4	WASHER -----	2	
	MS21042L4	NUT -----	2	
		-----*		
-19	0712765-3	COVER-CONTACTOR 182 ONLY -----	1	B
	0712079-4	COVER-CONTACTOR 182 ONLY -----	1	C
	0712079-2	COVER-CONTACTOR T182 ONLY -----	1	
		ATTACHING PARTS -----		
-20	S2209-1	STA STRAP -----	2	B
	S2209-1	STA STRAP -----	2	C
		-----*		
-21	S1775-3	TUBE-BATTERY DRAIN 18.00 IN LG -----	1	
		ATTACHING PARTS -----		
-22	S1494-12	CLAMP -----	3	
		-----*		
-23	0712075-1	ELBOW-BATTERY DRAIN -----	1	
		ATTACHING PARTS -----		
-24	S1490-10	NUT -----	1	
	AN960PD1016L	WASHER -----		
		-----*		

A---182 & T182 SERIAL 18267716 & ON  
 B---182 & T182 SERIAL 18267716 THRU 18268058  
 C---182 & T182 SERIAL 18268059 & ON



# 182 & T182 Parts Catalog

## Numerical Index

# 182 & T182 Parts Catalog

PART NUMBER	FICHE AND FRAME	FIGURE AND INDEX NO.	PART NUMBER	FICHE AND FRAME	FIGURE AND INDEX NO.	PART NUMBER	FICHE AND FRAME	FIGURE AND INDEX NO.
AN123883		177 -26	AN3-11A		149 -20	AN3-3A		153 -23
AN155-16S		160 -44	AN3-11A		149A-24	AN3-3A		154 - 2
AN155-16S		161 -44	AN3-11A		154A- 9	AN3-3A		154A- 2
AN155-16S		161A- 3	AN3-11A		159 -29	AN3-3A		159 - 4
AN155-16S		163 - 5	AN3-11A		163 -11	AN3-3A		165 -28
AN155-32S		157 -16	AN3-11A		164 -16	AN3-3A		178 -13
AN155-32S		163 - 4	AN3-11A		194 -25	AN3-3A		178 -71
AN155-32S		165 - 6	AN3-12A		92 -47	AN3-3A		179 -29
AN155-8S		159 - 3	AN3-12A		154 -10	AN3-3A		180 -31
AN155B32L		157 - 5	AN3-12A		181 -72	AN3-3A		180A-35
AN155B32L		157 -12	AN3-12A		181 -78	AN3-3A		180B-31
AN155B32S		158 - 8	AN3-12A		182 -72	AN3-3A		184 -52
AN155B32S		151 -47	AN3-13A		148 -46	AN3-3A		199 -16
AN155B8S		164 -37	AN3-13A		154A-10	AN3-34A		178 -68
AN161-32LL		157 - 6	AN3-13A		154A-29	AN3-34A		179 -26
AN161-32LL		157 -11	AN3-13A		164 -53	AN3-34A		180 -28
AN161-8LS		164 -38	AN3-13A		181 -15	AN3-34A		180A-32
AN165-22RS		158 - 9	AN3-13A		181 -72	AN3-34A		180B-27
AN173-11		59 -11	AN3-13A		182 -15	AN3-35A		96 -44
AN173-12A		60 - 7	AN3-13A		182 -66	AN3-35A		96A-46
AN173-12A		60 - 8	AN3-13A		183 -13	AN3-4A		19 -26
AN173-12A		60 -15	AN3-14A		149 -34	AN3-4A		26 -13
AN175-7A		28 -18	AN3-14A		149A-38	AN3-4A		27 -12
AN176-17A		63 -50	AN3-14A		149A-40	AN3-4A		30 -43
AN176-20A		63 -50	AN3-14A		154 -11	AN3-4A		44 -78
AN21-10		151 -59	AN3-14A		154A-24	AN3-4A		115 - 5
AN21-10		158 - 3	AN3-15A		112 -13	AN3-4A		115 - 6
AN23-10		158 - 6	AN3-15A		112 -16	AN3-4A		117 -23
AN23-10		165 - 8	AN3-15A		154 -19	AN3-4A		125 -23F
AN23-10A		165 - 3	AN3-15A		154B- 4	AN3-4A		127 -13
AN23-15A		91 -19	AN3-16A		154 -25	AN3-4A		128 -17
AN23-15A		95 -22	AN3-17A		93 - 2	AN3-4A		128 -18
AN23-16A		91 - 2	AN3-17A		94 - 2	AN3-4A		128 -19
AN23-19A		91 - 2	AN3-20A		31 - 7	AN3-4A		128 -63
AN23-19A		91 -32	AN3-20A		32 - 7	AN3-4A		132 - 4
AN23-19A		92 -36	AN3-21A		31 - 4	AN3-4A		132 - 9
AN23-20A		93 -80	AN3-21A		157 -45	AN3-4A		133 - 4
AN23-20A		94 -90	AN3-21A		163 -26	AN3-4A		134 -13
AN23-21A		92 -38A	AN3-22A		32 - 2	AN3-4A		137 - 2
AN24-13A		91 -23	AN3-24A		95 -25	AN3-4A		138 -63
AN24-13A		91 -24	AN3-26A		96 -15	AN3-4A		139 - 4
AN24-14		158 -22	AN3-26A		96A-15	AN3-4A		140 - 9
AN24-16A		91 -25	AN3-3A		40 -46	AN3-4A		140 -35
AN24-21A		92 -28	AN3-3A		40 -47	AN3-4A		145A-22
AN256F8		160 - 4	AN3-3A		40 -48	AN3-4A		149 -15
AN256F8		161 - 4	AN3-3A		40 -48	AN3-4A		149A-21
AN3-10A		18 - 9	AN3-3A		41 -45	AN3-4A		164 -43
AN3-10A		25 -43	AN3-3A		41 -46	AN3-4A		181 -73
AN3-10A		61 - 2	AN3-3A		41 -47	AN3-4A		181 -84
AN3-10A		61 -11	AN3-3A		41 -48	AN3-4A		182 -67
AN3-10A		92 - 4	AN3-3A		44 -11	AN3-4A		182 -77
AN3-10A		95 -18	AN3-3A		56 -18	AN3-42A		128 -63
AN3-10A		95 -31	AN3-3A		115 - 7	AN3-45A		126 -46
AN3-10A		96 -12	AN3-3A		118 - 6	AN3-5		30 -96A
AN3-10A		126 -43	AN3-3A		118 -12	AN3-5A		30 -82
AN3-10A		141 - 5	AN3-3A		121A-10	AN3-5A		56 -16
AN3-10A		142 -28	AN3-3A		122 - 7	AN3-5A		120 - 7
AN3-10A		147 -20A	AN3-3A		125 - 9	AN3-5A		120 -14
AN3-10A		149 -31	AN3-3A		125 -40	AN3-5A		123 -82
AN3-10A		149A-36	AN3-3A		125 -41	AN3-5A		125 -22
AN3-10A		159 -16	AN3-3A		125 -41	AN3-5A		126 -47
AN3-10A		163 -36	AN3-3A		136 - 4	AN3-5A		139 -19
AN3-10A		164 -33	AN3-3A		136 -12	AN3-5A		148 -49
AN3-11		127 - 9	AN3-3A		136 -12A	AN3-5A		156 -21
AN3-11A		19 - 2	AN3-3A		139 -12	AN3-5A		164 -20
AN3-11A		19 - 7	AN3-3A		142 -16	AN3-5A		164 -24
AN3-11A		95 - 4	AN3-3A		142 -17	AN3-5A		181 -28
AN3-11A		96 - 1	AN3-3A		142 -18	AN3-5A		183 -63
AN3-11A		96A- 1	AN3-3A		142 -20	AN3-5A		63 -37
AN3-11A		96A-12	AN3-3A		142 -22	AN3-6A		30 -72
AN3-11A		125 -23	AN3-3A		142 -23	AN3-6A		83 - 5
AN3-11A		141 -12	AN3-3A		147 -19	AN3-6A		120 -16
AN3-11A		141 -28	AN3-3A		148 -25	AN3-6A		125 -30
AN3-11A		142 -12	AN3-3A		152 -28	AN3-6A		148 -30

# 182 & T182 Parts Catalog

PART NUMBER	FICHE AND FRAME	FIGURE AND INDEX NO.	PART NUMBER	FICHE AND FRAME	FIGURE AND INDEX NO.	PART NUMBER	FICHE AND FRAME	FIGURE AND INDEX NO.
AN3-6A		148 -40	AN340-2		154 -30	AN4-4A		184 - 8
AN3-6A		155 -11	AN340-3		153 -31	AN4-4A		184 -55
AN3-6A		159 -12	AN340-3		154 -41	AN4-4A		185 -16
AN3-6A		163 -18	AN340-4		154B- 6	AN4-4A		185 -19
AN3-6A		163 -34	AN340-4		186 - 5	AN4-4A		200 -12
AN3-6A		183 -62	AN340-4		188 - 7	AN4-42A		18 - 2
AN3-6A		194 -25	AN340-416		194 -10	AN4-42A		157 -39
AN3-60A		135 -90	AN340-8		105 -49	AN4-5		141 -17
AN3-67A		135 -87	AN340-8		105A-53	AN4-5		142 - 2
AN3-7		125 -16	AN340-8		106 -50	AN4-5A		63 -37
AN3-7A		30 -38	AN340-8		106A-52	AN4-5A		95 - 1
AN3-7A		30 -73	AN340-8		112 -41	AN4-5A		95 - 6
AN3-7A		139 -29	AN340-8		140 -13	AN4-5A		96 - 3
AN3-7A		148 -27	AN340-8		154B- 8	AN4-5A		96 - 6
AN3-7A		157 - 2	AN340B8		98 -44	AN4-5A		96 - 8
AN3-7A		157 - 8	AN340B8		99 -46	AN4-5A		96A- 3
AN3-7A		160 - 1	AN340B8		100 -42	AN4-5A		96A- 6
AN3-7A		161 - 1	AN340B8		101 -44	AN4-5A		96A- 8
AN3-7A		161A- 1	AN340B8		101A-43	AN4-5A		117 -18
AN3-7A		164 -28	AN340B8		102 -46	AN4-5A		125 -23C
AN3H3A		9 -25	AN340B8		102A-44	AN4-5A		128 -46
AN3H3A		62 -40	AN340B8		103 -50	AN4-5A		138 -13
AN310-3		62 -51	AN340B8		104 -51	AN4-5A		184 -45
AN310-3		63 -65	AN340B8		105 -53	AN4-56A		163 -39
AN310-3		125 -19	AN340B8		105A-57	AN4-57A		163 -31
AN310-3		127 - 9	AN340B8		106 -54	AN4-6A		21 - 1
AN310-3		151 -48	AN340B8		106A-56	AN4-6A		22 - 1
AN310-3		158 - 7	AN341-8		185 -26A	AN4-6A		97 -16
AN310-3		165 - 4	AN345-10		181 -49	AN4-6A		112 - 4
AN310-3		165 - 9	AN345-416		180C-22	AN4-6A		173 -31
AN310-4		62 -34	AN365-524A		66 -11	AN4-6A		185 -49
AN310-4		62 -47	AN4-10A		138 -58	AN4-66A		202 - 5
AN310-4		63 -61	AN4-10A		158 -31	AN4-7A		25 -60
AN310-4		63 -79	AN4-10A		158 -39	AN4-7A		58 - 5
AN310-4		125 -36	AN4-10A		158 -44	AN4-7A		61 - 6
AN310-4		139 -17	AN4-10A		165 -18	AN4-7A		112 - 3
AN310-4		141 -18	AN4-10A		165 -23	AN4H-5A		118A- 3
AN310-4		142 - 4	AN4-10A		185 -49	AN4H21A		72 -25
AN310-4		163 -49	AN4-11A		23 - 1	AN4H21A		73 -25
AN310-5		58 -12	AN4-11A		24 - 1	AN4H4		180C-20
AN310-5		58 -24	AN4-11A		25 - 1	AN4022-1		175 - 1
AN310-5		59 -16	AN4-11A		25 -59	AN4022-1		175 - 2
AN310-5		59 -34	AN4-11A		138 -14	AN4022-1		175 - 4
AN310-5		151 -36	AN4-11A		157 -34	AN4022-1		175 - 6
AN310C3		159 -25	AN4-12		125 -34	AN4022-1		176 -17
AN315-3R		125 -20	AN4-12A		56 -33	AN4022-1		176A-21
AN315-3R		127 - 9	AN4-12A		95 -42	AN4023-1		125 -49
AN315-3R		165 -33	AN4-12A		96 -54	AN415-2		52 -12
AN315-4R		75 -18A	AN4-12A		96A-57	AN415-2		53 -17
AN315-4R		76 -72	AN4-12A		158 -11	AN42-C4		140 -22
AN315-4R		77 -18A	AN4-13A		96 -36	AN42-C5		140 -22
AN315-4R		78 -55	AN4-13A		96A-38	AN446-4		182 -47
AN315-4R		79 -19	AN4-13A		97 - 3	AN5-10A		13 -14
AN315-4R		80 -69	AN4-14A		56 -37	AN5-10A		58 - 3
AN315-640R		180C-23	AN4-15		163 -48	AN5-11A		157 -18
AN316-4		30 -75	AN4-15A		59 - 6	AN5-11A		157 -29
AN316-4		142 -30	AN4-15A		93 -43	AN5-11A		158 -34
AN316-4R		18 -12	AN4-15A		94 -51	AN5-12A		163 -14
AN316-4R		19 - 6	AN4-17A		97 - 7	AN5-13A		157 -22
AN316-4R		141 - 3	AN4-20A		95 -45	AN5-17A		69 -20
AN316-4R		141 -15	AN4-22A		165 -12	AN5-17A		70 -20
AN316-4R		141 -23	AN4-3A		200 - 7	AN5-20A		70 -20
AN316-4R		142 - 8	AN4-3A		201 -10	AN5-21A		69 -20
AN316-4R		149 - 8	AN4-3A		201 -16	AN5-22A		66 - 9
AN316-4R		149A-14	AN4-3A		202 -12	AN5-27A		62 - 7
AN316-4R		150 - 2	AN4-3A		202 -18	AN5-31A		58 - 2
AN316-5L		138 -11	AN4-30		63 -57	AN5-31A		63 -20
AN316-5P		138 -11	AN4-31		62 -30	AN5-33A		62 - 4
AN316-5R		164 -48	AN4-31		62 -43	AN5-34A		63 - 3
AN320-1		151 -59	AN4-31		63 -75	AN5-37A		73 -14
AN320-1		158 - 4	AN4-31A		158 -15	AN5-47		58 -11
AN320-4		158 -23	AN4-4A		117 -23	AN5-47		59 -14
AN320C3		59 -11	AN4-4A		126 - 2	AN5-51A		58 -19
AN340-10		194 -10	AN4-4A		180C-19	AN5-51A		59 -28

# 182 & T182 Parts Catalog

PART NUMBER	FICHE AND FRAME	FIGURE AND INDEX NO.	PART NUMBER	FICHE AND FRAME	FIGURE AND INDEX NO.	PART NUMBER	FICHE AND FRAME	FIGURE AND INDEX NO.
AN5-52A		191 - 2	AN507-832R4		76 -73	AN509-10R8		80 -13
AN5-6A		21 - 2A	AN507-832R4		78 -56	AN509-10R8		123 -96
AN5-6A		22 - 2	AN507-832R4		80 -70	AN509-10R8		124 - 2
AN5-6A		28 -16	AN507-832R6		5 -36	AN509-10R8		143 - 6
AN5-7A		12 -14	AN507-832R6		6 -43	AN509-10R8		197 - 3
AN5-7A		21 - 2	AN507-832R6		28 -65	AN509-416R12		24 -50
AN5-7A		22 - 2	AN507-832R6		29 -16	AN509-416R13		24 -51
AN500-10-10		169 -25	AN507-832R6		75 -27	AN509-8R14		169 -11A
AN500-416-10		136 -18	AN507-832R6		75 -74	AN509-8R14		170 -10
AN500-416-10		136 -22	AN507-832R6		76 -24	AN509-8R14		171 -52
AN500-416-10		136 -25	AN507-832R6		76 -73	AN509-8R6		30 -48
AN500-416-10		136 -32	AN507-832R6		79 -75	AN509-8R6		30 -50
AN500-416-10		136 -36	AN507-832R6		79 -77	AN510B4R6		116 -14
AN500-416-10		136 -74	AN507-832R6		80 -11	AN515-10R10		9 -81
AN500-416-8		136 -42	AN507-832R6		80 -70	AN515-10R6		160 -38
AN500-416-8		136 -56	AN507-832R6		83 -20	AN515-10R6		160 -43
AN500AD6-4		119B- 6	AN507-832R6		135 -69	AN515-10R6		161 -38
AN500A10-10		138 -53	AN507-832R6		151 -24	AN515-10R6		161 -43
AN500A8-5		160 -29	AN507-832R7		22 -41	AN515-10R6		161A-13
AN500A8-5		161 -29	AN507-832R7		151 -24	AN515-10R8		18 -35
AN500A8-7		16 -22	AN507-832R7		166 -37	AN515-10R8		150 - 3
AN500B8-6		116 - 7	AN507-832R8		23 -11	AN515-10R8		161A-17
AN500D6-8		119C-17	AN507-832R8		40 -23	AN515-10R8		173 - 1
AN503-8-12		140 -12	AN507-832R8		41 -21	AN515-10R8		174 - 1
AN507-1032R10		87 - 9	AN507-832R8		105 -38B	AN515-2R12		154 -28
AN507-1032R12		75 - 2	AN507-832R8		105A-32	AN515-4-9		163 -45
AN507-1032R12		76 - 2	AN507-832R8		106 -36	AN515-4R10		84 -25
AN507-1032R12		77 - 2	AN507-832R8		106A-31	AN515-4R10		154B- 6
AN507-1032R12		78 - 2	AN507-832R8		188 -29	AN515-4R12		164 -12
AN507-1032R12		79 - 2	AN507B632R12		98 -53	AN515-4R4		125 -50
AN507-1032R12		80 - 2	AN507B632R12		99 -56	AN515-4R4		184 - 1
AN507-1032R12		144 -10	AN507B632R12		100 -51	AN515-4R4		185 - 5
AN507-1032R14		112 -20	AN507B632R12		101 -55	AN515-4R4		185 -11
AN507-1032R14		144 -10A	AN507B632R12		101A-42	AN515-4R5		185 -33
AN507-1032R14		145 -62	AN507B632R12		102 -45	AN515-4R6		186 - 4
AN507-1032R14		145A-63	AN507B632R12		102 -54	AN515-4R6		195 - 6
AN507-1032R6		43 -24	AN507B632R12		102A-43	AN515-4R6		195A- 6
AN507-1032R6		136 -42	AN507B632R12		102A-52	AN515-4R6		195B- 7
AN507-1032R6		136 -46	AN507B632R12		184 - 7	AN515-6R10		18 -33
AN507-1032R6		136 -55	AN507B632R6		98 -54	AN515-6R10		23 -34
AN507-1032R7		29 -39	AN507B632R6		99 -57	AN515-6R10		145A-45
AN507-1032R7		172 -15	AN507B832R14		116 -16	AN515-6R10		146 -31
AN507-1032R7		172A-17	AN507B832R24		98 -44	AN515-6R10		147 -30
AN507-1032R8		155 -19	AN507B832R24		99 -46	AN515-6R10		178 - 4
AN507-1032R8		156 -31	AN507B832R24		100 -42	AN515-6R12		178 - 4
AN507-1032R8		156A-15	AN507B832R24		101 -44	AN515-6R5		111A- 2
AN507-428R7		16 -39	AN507B832R24		102 -46	AN515-6R5		161A- 4
AN507-428R7		16 -44	AN507B832R24		102A-44	AN515-6R6		26 -15
AN507-440R6		160 -15	AN507B832R8		116 - 5	AN515-6R6		27 -14
AN507-6R8		184 -35	AN507DD40R8		182 -22	AN515-6R6		33 -17
AN507-632R12		5 -33	AN507DD440R8		181 -22	AN515-6R6		33 -22
AN507-632R12		6 -37	AN507DD440R8		183 -20	AN515-6R6		34 -15
AN507-632R12		81 - 6	AN509-10R14		75 - 1	AN515-6R6		34A-19
AN507-632R4		33 -13	AN509-10R14		76 - 1	AN515-6R6		56 -31
AN507-632R4		34 -12	AN509-10R14		77 - 1	AN515-6R6		70 -44
AN507-632R4		34A- 9	AN509-10R14		78 - 1	AN515-6R6		98 -38
AN507-632R6		103 -40A	AN509-10R14		79 - 1	AN515-6R6		98 -39
AN507-632R6		104 -41	AN509-10R14		80 - 1	AN515-6R6		99 -40
AN507-632R6		160 - 8	AN509-10R14		184 -16	AN515-6R6		99 -41
AN507-632R6		161 - 8	AN509-10R14		198 - 8	AN515-6R6		100 -36
AN507-632R7		119 -10	AN509-10R14		199 - 8	AN515-6R6		100 -37
AN507-632R8		5 -24	AN509-10R23		25 -43	AN515-6R6		100 -52
AN507-632R8		5 -32	AN509-10R31		23 -13	AN515-6R6		101 -38
AN507-632R8		6 -28	AN509-10R4		16 - 5	AN515-6R6		101 -39
AN507-632R8		6 -36	AN509-10R6		16 -38	AN515-6R6		101 -53
AN507-632R8		170 -77	AN509-10R6		16 -43	AN515-6R6		101A-36
AN507-632R8		171 -94A	AN509-10R7		124 -19	AN515-6R6		101A-37
AN507-640R4		166 -23	AN509-10R8		69 -10	AN515-6R6		101A-53
AN507-832R12		181 - 5	AN509-10R8		70 -10	AN515-6R6		102 -37
AN507-832R12		182 - 5	AN509-10R8		75 -25	AN515-6R6		102 -38
AN507-832R12		183 - 2	AN509-10R8		76 -14	AN515-6R6		102 -55
AN507-832R12		188 -14	AN509-10R8		77 -22	AN515-6R6		102A-35
AN507-832R14		91 - 8	AN509-10R8		78 -11	AN515-6R6		102A-36
AN507-832R14		95 -21	AN509-10R8		79 -25	AN515-6R6		102A-53

# 182 & T182 Parts Catalog

PART NUMBER	FICHE AND FRAME	FIGURE AND INDEX NO.	PART NUMBER	FICHE AND FRAME	FIGURE AND INDEX NO.	PART NUMBER	FICHE AND FRAME	FIGURE AND INDEX NO.
AN515-6R6		119 - 3	AN515-8R8		162 -15	AN515B6R7		167 - 3
AN515-6R6		119A- 2	AN515-8R8		170 - 7	AN515B6R8		102 -82
AN515-6R6		119A-11	AN515-8R8		171 -56	AN515B6R8		102A-79
AN515-6R6		151 -69	AN515-8R8		183 -76	AN515B632R12		101A-36
AN515-6R6		161 -47	AN515-8R8		188 - 3	AN515B632R12		102 -38
AN515-6R6		161 -48	AN515-8R8		189 - 1	AN515B632R12		102A-36
AN515-6R6		178 - 2	AN515-8R8		196 - 9	AN515B632R12		179 - 4
AN515-6R6		178 - 4	AN515-8R8		197 -10	AN515B8R10		168 - 4
AN515-6R6		179 - 2	AN515-8R8		202 -14	AN515B8R12		98 -27
AN515-6R6		179 - 4	AN515-832-5		184 -61	AN515B8R8		98 -26
AN515-6R6		183 -71	AN515BR12		102 -41	AN515B8R8		99 -25
AN515-6R7		189 -16	AN515BR12		102A-39	AN515B8R8		100 -22
AN515-6R8		30 -16	AN515B6R12		98 -30	AN515B8R8		101A-21
AN515-6R8		50 -79	AN515B6R12		98 -31	AN515B8R8		102 -24
AN515-6R8		103 - 4	AN515B6R12		98 -32	AN515B8R8		102A-22
AN515-6R8		104 - 4	AN515B6R12		98 -40	AN515UB6R12		119C-22
AN515-6R8		105 - 4	AN515B6R12		98 -42	AN5154R4		184 - 3
AN515-6R8		105A- 4	AN515B6R12		98 -43	AN51586R12		101 -28
AN515-6R8		106 - 4	AN515B6R12		98 -52	AN520-010R6		137 -10
AN515-6R8		106A- 4	AN515B6R12		98 -56	AN520-10R-10		136 -59
AN515-6R8		148 -18	AN515B6R12		98 -57	AN520-10R10		16 -27
AN515-6R8		152 -26	AN515B6R12		99 -32	AN520-10R10		136 -63
AN515-6R8		185 -50	AN515B6R12		99 -33	AN520-10R10		143 - 3
AN515-8-10		144 -27	AN515B6R12		99 -34	AN520-10R10		154A-32
AN515-8-8		181 - 9	AN515B6R12		99 -42	AN520-10R10		176 -16
AN515-8-8		182 - 9	AN515B6R12		99 -44	AN520-10R10		176A-20
AN515-8-8		183 - 6	AN515B6R12		99 -45	AN520-10R12		58 -36
AN515-8R10		112 -40	AN515B6R12		99 -55	AN520-10R12		59 -38
AN515-8R10		119C- 3A	AN515B6R12		99 -59	AN520-10R12		69 -43
AN515-8R10		154B- 8	AN515B6R12		100 -28	AN520-10R12		70 -43
AN515-8R10		160 -11	AN515B6R12		100 -29	AN520-10R12		70 -57
AN515-8R10		185 -51	AN515B6R12		100 -30	AN520-10R12		84 -21
AN515-8R11		189 -22	AN515B6R12		100 -38	AN520-10R12		88 -20
AN515-8R12		86 - 2	AN515B6R12		100 -40	AN520-10R14		112 -52
AN515-8R12		157 -50	AN515B6R12		100 -41	AN520-10R14		112 -61
AN515-8R12		163 - 9	AN515B6R12		100 -50	AN520-10R14		112 -66
AN515-8R14		119B- 3A	AN515B6R12		100 -53	AN520-10R14		112 -69
AN515-8R20		161 -11	AN515B6R12		101 -29	AN520-10R14		128 -42
AN515-8R24		188 -23	AN515B6R12		101 -30	AN520-10R16		69 -57
AN515-8R4		59 -22	AN515B6R12		101 -41	AN520-10R16		185 -21
AN515-8R4		69 -31	AN515B6R12		101 -42	AN520-10R24		127 -16
AN515-8R4		69 -72	AN515B6R12		101 -51	AN520-10R24		185 -21
AN515-8R4		70 -31	AN515B6R12		101 -52	AN520-10R26		141 -10
AN515-8R5		185 -35	AN515B6R12		101A-27	AN520-10R28		146 -14
AN515-8R6		16 -31	AN515B6R12		101A-28	AN520-10R6		58 -29
AN515-8R6		25 -66	AN515B6R12		101A-29	AN520-10R6		69 -37
AN515-8R6		35 -21	AN515B6R12		101A-39	AN520-10R6		70 -37
AN515-8R6		44 -58	AN515B6R12		101A-40	AN520-10R6		119C-14
AN515-8R6		88 -34	AN515B6R12		101A-51	AN520-10R6		127 - 6
AN515-8R6		89 -41	AN515B6R12		101A-52	AN520-10R6		136 - 3
AN515-8R6		93 -73	AN515B6R12		102 -29	AN520-10R6		136 -13
AN515-8R6		94 -82	AN515B6R12		102 -30	AN520-10R6		136 -13A
AN515-8R6		105 -45	AN515B6R12		102 -31	AN520-10R6		136 -41
AN515-8R6		105A-46	AN515B6R12		102 -40	AN520-10R6		136 -47
AN515-8R6		106 -45	AN515B6R12		102 -53	AN520-10R6		136 -54
AN515-8R6		106A-45	AN515B6R12		102 -56	AN520-10R6		140 -41
AN515-8R6		155 - 7	AN515B6R12		102A-27	AN520-10R6		149 -41
AN515-8R6		156 - 7	AN515B6R12		102A-28	AN520-10R6		174 -30
AN515-8R6		166 -39	AN515B6R12		102A-29	AN520-10R6		178 -63
AN515-8R7		44 -64	AN515B6R12		102A-38	AN520-10R6		184 -39
AN515-8R7		111 - 2	AN515B6R12		102A-51	AN520-10R6		185 -42
AN515-8R7		160 -34	AN515B6R12		102A-54	AN520-10R6		194 -11
AN515-8R7		161 -34	AN515B6R12		166 - 1	AN520-10R6		194 -12
AN515-8R7		185 -19	AN515B6R12		166 - 2	AN520-10R6		194 -13
AN515-8R8		16 -21	AN515B6R12		166 - 3	AN520-10R6		199 -23
AN515-8R8		20 -19	AN515B6R12		178 -29	AN520-10R7		112 -50
AN515-8R8		83 -26	AN515B6R16		98 -37	AN520-10R7		112 -63
AN515-8R8		97 - 2	AN515B6R16		99 -39	AN520-10R7		136 - 2
AN515-8R8		97 -21	AN515B6R16		100 -35	AN520-10R7		136 -14
AN515-8R8		101 -21	AN515B6R16		101 -35	AN520-10R7		136 -16
AN515-8R8		102 -79	AN515B6R16		101A-34	AN520-10R7		136 -26
AN515-8R8		102A-76	AN515B6R16		102 -36	AN520-10R7		136 -42
AN515-8R8		134 - 8	AN515B6R16		102A-34	AN520-10R7		138 -45
AN515-8R8		151 -64	AN515B6R16		167 - 4	AN520-10R7		184 -36

# 182 & T182 Parts Catalog

PART NUMBER	FICHE AND FRAME	FIGURE AND INDEX NO.	PART NUMBER	FICHE AND FRAME	FIGURE AND INDEX NO.	PART NUMBER	FICHE AND FRAME	FIGURE AND INDEX NO.
AN520-10R7		185 -52	AN525-10R6		78 -56	AN525-832R8		89 -27
AN520-10R8		7 -37	AN525-10R6		80 - 9	AN525-832R8		98 -25
AN520-10R8		7 -38	AN525-10R6		135 - 2	AN525-832R8		99 -24
AN520-10R8		9 -61	AN525-10R6		135 - 8	AN525-832R8		100 -21
AN520-10R8		51 -89	AN525-10R6		135 -10	AN525-832R8		101 -19
AN520-10R8		54 -13	AN525-10R6		135 -14	AN525-832R8		101A-19
AN520-10R8		55 - 8	AN525-10R6		135 -21	AN525-832R8		102 -22
AN520-10R8		93 -31	AN525-10R6		135 -27	AN525-832R8		102A-20
AN520-10R8		93 -58	AN525-10R6		155 -21	AN525-832R8		134 -19
AN520-10R8		94 -39	AN525-10R6		156 -33	AN525-832R8		135 -45
AN520-10R8		94 -66	AN525-10R6		156A-17	AN525-832R8		135 -53
AN520-10R8		112 -55	AN525-10R7		8 -12	AN525-832R8		135 -62
AN520-10R8		119B-31	AN525-10R7		9 - 8	AN525-832R8		135 -67
AN520-10R8		119C-28	AN525-10R7		9 - 9	AN525-832R8		181 -40
AN520-10R8		127 - 7	AN525-10R7		70 -68	AN525-832R8		182 -34
AN520-10R8		128 -42	AN525-10R7		169 -47	AN535-4-4		128 -54
AN520-10R8		128 -57	AN525-10R7		170 -31	AN565B2-3		98 -69
AN520-10R8		137 -10	AN525-10R8		31 -21	AN565B2H3		98 -69
AN520-10R8		159 -21	AN525-10R8		32 -25	AN565B2H3		99 -71
AN520-10R8		169 -30A	AN525-10R8		40 -35D	AN565B2H3		100 -65
AN520-10R8		170 -33	AN525-10R8		41 -35	AN565B2H3		101 -65
AN520-10R8		170 -35	AN525-10R8		75 -59	AN565B2H3		101A-65
AN520-10R8		170 -56	AN525-10R8		76 -39	AN565B2H3		153 -22
AN520-10R8		171 - 6	AN525-10R8		79 -56	AN565B2H3		154 -16
AN520-10R8		171 -10	AN525-10R8		80 -47	AN565B2H3		154A-15
AN520-10R8		171 -23	AN525-10R8		173 -24	AN565B4-2		152 -13
AN520-10R8		171 -32	AN525-10R9		70 -65	AN565B4-2		153 -10
AN520-10R8		171 -35	AN525-8R7		184 - 1	AN565B428H4		163 -50
AN520-10R8		171 -77	AN525-8R8		87 - 3	AN565D2H3		154A-21
AN520-10R8		173 -22	AN525-832-8		136 -69	AN565D6H3		150 - 7
AN520-10R8		174 -23	AN525-832-8		136 -72	AN565D8H2		99 -70
AN520-10R8		181 -49	AN525-832R10		98 -24	AN565D8H2		100 -64
AN520-10R8		185 -31	AN525-832R10		101 -20	AN565D8H2		101 -65
AN520-3R10		153 -28	AN525-832R10		101A-20	AN565D8H2		101A-65
AN520-3R10		154 -38	AN525-832R10		102 -23	AN565D8H2		102 -69
AN520-3R8		153 -12	AN525-832R10		102A-21	AN565D8H2		102A-66
AN520-416R8		180A-23	AN525-832R12		70 -73	AN565D8H3		163 -50
AN520-416R8		184 - 9	AN525-832R6		21 -43	AN565D8H5		145A-40
AN520-416R8		184 -25	AN525-832R6		22 -37	AN565E8H2		156A-27
AN520-416R8		185 -49	AN525-832R6		22 -43	AN6-15A		163 -40
AN520-416R8		198 -14	AN525-832R6		28 -27B	AN6-17A		69 -23
AN520-6R8		180C-23	AN525-832R6		29 -55	AN6-17A		70 -23
AN520-8R10		140 -14	AN525-832R6		69 -47	AN6-21A		69 -23
AN520-8R12		185 -22	AN525-832R6		70 -36B	AN6-23A		70 -23
AN520-8R6		51 -66	AN525-832R6		70 -48	AN6-25A		125 - 3
AN520-8R6		123 -57	AN525-832R6		135 -22	AN6-27A		127 - 2
AN520-8R6		145 -23	AN525-832R6		135 -33	AN6-32A		59 -26
AN520-8R6		145 -25	AN525-832R6		135 -35	AN6-33A		125 - 2
AN520-8R8		140 -18	AN525-832R6		135 -60	AN6-6A		69 -50
AN520-8R8		185 -22	AN525-832R6		169 -35	AN6-6A		70 -50
AN520B8R24		101 -44	AN525-832R6		170 -41	AN6227-22		68 -13
AN520B8R24		101A-43	AN525-832R6		170 -59	AN6227-5		162 - 7
AN525-10-10		113 - 2	AN525-832R6		171 -40	AN6227B10		67 -17
AN525-10R10		69 -60	AN525-832R6		171 -79	AN6227B22		67 - 7A
AN525-10R10		70 -66	AN525-832R7		21 - 7	AN6227B26		62 -10
AN525-10R12		69 -59	AN525-832R7		21 -41	AN6227B3		67 -12
AN525-10R12		84 -41	AN525-832R7		22 - 6A	AN6227B32		62 -23
AN525-10R12		85 -20	AN525-832R7		22 -45	AN6227B5		62 -13
AN525-10R12		112 -43	AN525-832R7		23 -32	AN6227B8		150 -14
AN525-10R12		149A- 4	AN525-832R7		24 -54	AN6230B2		72 -31
AN525-10R12		149A- 7	AN525-832R7		75 -41	AN6230B2		73 -22
AN525-10R14		69 -66	AN525-832R7		76 -22	AN6230B3		62 -16
AN525-10R14		112 -20A	AN525-832R7		77 -38	AN6230B6		62 -25
AN525-10R16		69 -65	AN525-832R7		78 -19	AN7-20A		5 - 4
AN525-10R18		81 -13	AN525-832R7		79 -42	AN7-20A		6 - 4
AN525-10R18		112 -43	AN525-832R7		80 -21	AN7-33A		126 - 6
AN525-10R22		155 -14	AN525-832R7		83 -12	AN7-34A		128 - 2
AN525-10R22		156 -26	AN525-832R7		118 - 9	AN7-40A		193 - 3
AN525-10R22		156A-10	AN525-832R7		185 - 3	AN7-40A		194 - 2
AN525-10R6		8 -11	AN525-832R7		189 -19	AN7-46A		192 - 2
AN525-10R6		51 -46	AN525-832R8		5 -21	AN734-12		171 -22
AN525-10R6		70 -67	AN525-832R8		6 -25	AN735-D40		171 - 5
AN525-10R6		76 -12	AN525-832R8		28 -76	AN735-10		165 -29
AN525-10R6		78 - 9	AN525-832R8		89 - 7	AN735-28		176 -15

# 182 & T182 Parts Catalog

PART NUMBER	FICHE AND FRAME	FIGURE AND INDEX NO.	PART NUMBER	FICHE AND FRAME	FIGURE AND INDEX NO.	PART NUMBER	FICHE AND FRAME	FIGURE AND INDEX NO.
AN735-28		176A-19	AN816-4D		179 -18	AN924-10D		180B- 9
AN735-8		148 -32	AN816-4D		181 -89	AN924-2		125 -43
AN735-9		165 -29	AN816-4D		181 -94B	AN924-2		125 -48
AN735D20		112 -39	AN816-4D		182 -94A	AN924-2		176 - 4
AN737RM30		16 -15	AN816-4D		183 -58	AN924-2D		135 -76
AN737RM30		169 - 2	AN816-6D		178 - 6	AN924-2D		175 -17
AN741-18P		125 -23	AN816-6D		178 -18	AN924-3		128 -31
AN741TD7		173 -30	AN816-6D		178 -40	AN924-3		128 -67
AN742D12		126 -15	AN816-6D		179 - 6	AN924-3D		69 -34
AN742D14		126 -51	AN816-6D		179 -19	AN924-3D		70 -34
AN742D20		126 -50	AN818-2D		98 -56	AN924-3D		70 -35
AN742D3		125 - 7	AN821-4D		181 -95B	AN924-3D		74 -35
AN742D3		125 - 8	AN821-4D		182 -93	AN924-3D		148 - 4
AN742D3		147 -27	AN824-2D		176 - 7	AN924-3D		148 - 5
AN742D3		174 -22	AN824-2D		176A- 7	AN924-3D		148 -21
AN742D3		181 -27	AN824-4D		181 -92	AN924-4		127 -27
AN742D32		146 -27	AN824-4D		182 -84	AN924-4		127 -28
AN742D32		147 -41	AN824-4D		183 -36	AN924-4		128 -15
AN742D34		125 -22	AN824-8D		171 -45	AN924-4		128 -58
AN742D34		125 -42	AN827-4D		182 -86	AN924-4		177 - 6
AN742D36		146 -19	AN827-4D		183 -39	AN924-4D		128 -56
AN742D4		6 -21	AN832-2D		135 -76	AN924-4D		177 - 5
AN742D4		7 - 4	AN832-2D		175 -17	AN924-4D		148 - 4
AN742D4		125 -40	AN832-3D		148 - 6	AN924-6D		9 -76
AN742D4		140 -39	AN832-6D		171 -14	AN924-6D		128 -28
AN742D4		166 -18	AN833-2		125 -43	AN924-6D		171 -15
AN742D4		189 -15	AN833-2		176 - 4	AN924-8		171 -25
AN742D5		119A- 8	AN833-2D		175 -17	AN924-8D		138 -29
AN742D50		146 -19	AN833-3		128 -31	AN924-8D		138 -35
AN742D6		125 -23H	AN833-3		128 -67	AN924-8D		169 -21
AN742D6		170 - 7	AN833-3D		69 -34	AN924-8D		169 -38B
AN742D6		171 -56	AN833-3D		70 -34	AN924-8D		170 -20C
AN742D8		169 -47	AN833-3D		148 -22	AN924-8D		170 -25
AN742D8		170 -31	AN834-2		125 -46	AN924-8D		170 -44
AN743-12		70 -36A	AN837-4		127 -25	AN924-8D		170 -71
AN743-12		148 -18	AN837-4		128 -15	AN924-8D		171 -62D
AN743-12		182 -92	AN837-4		128 -58	AN924-8D		171 -90
AN743-12		183 -48	AN837-4		177 - 3	AN932-S2		181 -65
AN780-2		175 - 1	AN837-8		138 -33	AN932-S2		182 -61
AN780-2		175 - 2	AN837-8		171 -25	AN932-S2		183 -53
AN780-2		175 - 5	AN837-8D		169 -38A	AN932C2		182 -27
AN780-2		175 - 6	AN837-8D		170 -20A	AN932C2		183 -33
AN8-20A		20 - 6	AN837-8D		170 -44	AN932C4		177 -23
AN8-23A		5 - 1	AN837-8D		170 -70	AN932C4		177 -28
AN8-23A		6 - 1	AN837-8D		171 -62B	AN935-10		169 -26
AN8-25A		20 - 2	AN840-4D		128 -36	AN935-10		170 -34
AN804D8		169 -21	AN844-4D		178 -56	AN935-10		170 -57
AN804D8		170 -25	AN900-10		125 -42	AN935-10		171 -33
AN814-3DL		172 -13	AN900-10		128 -49	AN935-10		171 -77
AN814-3DL		172A-13	AN900-6		102 -51	AN935-10		194 -10
AN815-3D		148 -12	AN900-6		102A-49	AN935-516L		138 -17
AN815-3D		148 -17	AN900-6		126 -44	AN935-8L		160 -11
AN815-3D		148 -20	AN900-6		128 -48	AN935-8L		161 -11
AN815-4D		183 -45	AN910-1		181 - 2	AN936-A3		153 -30
AN815-8D		169 -14	AN910-1		182 - 2	AN936-A8		170 -60
AN815-8D		169 -19	AN910-1		183 -28	AN936-A8		171 -80
AN815-8D		170 -16	AN911-1D		166 -15	AN936A10		173 - 2
AN815-8D		171 -28	AN912-1		128 -30	AN936A2		154 -29
AN815-8D		171 -48	AN912-3		126 -39	AN936A3		154 -40
AN815-8D		171 -64	AN914-1D		71 -30	AN936A4		163 -45
AN816-2D		128 -35	AN916-1D		166 -14	AN936A416		91 -26
AN816-2D		169 -44	AN916-416		97 - 4	AN936A416		116 -19
AN816-2D		174 -18	AN916-416		202 - 4	AN936A416		180C-20
AN816-2D		175 - 8	AN921-3D		70 -35	AN936A416		184 -47
AN816-3D		102 -53	AN921-3D		74 -34	AN936A416		194 -10
AN816-30		102A-51	AN921-3D		148 - 3	AN936A416B		167 - 3
AN816-4B		183 -33	AN922-6D		128 -28	AN936A6		171 -41
AN816-4D		102 -53	AN922-8D		171 -30	AN936A6		184 -35
AN816-4D		102A-51	AN922-8D		171 -90	AN936A6B		101 -29
AN816-4D		127 -32	AN924-10		180C- 8	AN936A6B		101A-28
AN816-4D		178 -20	AN924-10D		178 -31	AN936A616		91 -26
AN816-4D		178 -27	AN924-10D		179 -38	AN936A616		154A-13
AN816-4D		178 -55	AN924-10D		180 -12	AN936A8		58 -33
AN816-4D		179 -16	AN924-10D		180A-12	AN936A8		59 -22

# 182 & T182 Parts Catalog

PART NUMBER	FICHE AND FRAME	FIGURE AND INDEX NO.	PART NUMBER	FICHE AND FRAME	FIGURE AND INDEX NO.	PART NUMBER	FICHE AND FRAME	FIGURE AND INDEX NO.
AN936A8		69 -32	AN960-10		139 -31	AN960-10L		95 -19
AN936A8		69 -72	AN960-10		140 -10	AN960-10L		95 -28
AN936A8		70 -32	AN960-10		140 -24	AN960-10L		96 - 2
AN936A8		103 -49	AN960-10		140 -32	AN960-10L		96 -19
AN936A8		104 -50	AN960-10		140 -36	AN960-10L		96 -42
AN936A8		105 -52	AN960-10		141 - 6	AN960-10L		96 -46
AN936A8		105A-56	AN960-10		142 -16	AN960-10L		96A- 2
AN936A8		106 -53	AN960-10		142 -17	AN960-10L		96A-19
AN936A8		106A-55	AN960-10		142 -18	AN960-10L		96A-44
AN936A8		154B- 8	AN960-10		142 -20	AN960-10L		96A-48
AN936A8		169 -36	AN960-10		142 -22	AN960-10L		112 -47
AN936A8		170 -42	AN960-10		142 -29	AN960-10L		114 - 4
AN936B10		125 -23	AN960-10		146 -14	AN960-10L		115 - 7
AN936B6B		98 -31	AN960-10		149 -34	AN960-10L		118 - 7
AN936B6B		99 -33	AN960-10		149A-38	AN960-10L		118 -13
AN936B6B		100 -29	AN960-10		149A-40	AN960-10L		121A-11
AN936B6B		102 -30	AN960-10		159 -24	AN960-10L		122 - 8
AN936B6B		102A-28	AN960-10		163 -19	AN960-10L		125 -12
AN942D14		126 -35B	AN960-10		163 -37	AN960-10L		26 -32
AN944-101A		62 -27	AN960-10		164 -29	AN960-10L		127 - 5
AN944-101A		62 -38	AN960-10		171 -11	AN960-10L		127 -19
AN960-A10		145A-33	AN960-10		180C-20	AN960-10L		137 - 3
AN960-C4L		92 -23	AN960-10		181 -18	AN960-10L		139 -31A
AN960-D10L		116 -11	AN960-10		181 -25	AN960-10L		140 -28
AN960-D4		164 -13	AN960-10		181 -28	AN960-10L		140 -32
AN960-PD10		194 -11	AN960-10		182 -18	AN960-10L		141 -10
AN960-10		7 -28	AN960-10		182 -25	AN960-10L		141 -13
AN960-10		9 -55	AN960-10		182 -45	AN960-10L		142 -13
AN960-10		18 -10A	AN960-10		183 -16	AN960-10L		143 - 4
AN960-10		19 - 3	AN960-10		183 -23	AN960-10L		144 -29
AN960-10		23 -14	AN960-10		183 -25	AN960-10L		144 -42
AN960-10		24 -36B	AN960-10		183 -64	AN960-10L		145 - 8
AN960-10		30 -40	AN960-10		185 -20	AN960-10L		145A-14
AN960-10		30 -83	AN960-10		185 -31	AN960-10L		145A-23
AN960-10		30 -97	AN960-10		194 -25	AN960-10L		146 -11
AN960-10		31 - 8	AN960-10		63 -38	AN960-10L		146 -39
AN960-10		32 - 3	AN960-10L		25 -43	AN960-10L		147 -16
AN960-10		32 - 8	AN960-10L		28 -77	AN960-10L		147 -38
AN960-10		56 -16	AN960-10L		54 -13	AN960-10L		148 -40
AN960-10		58 - 8	AN960-10L		55 - 8	AN960-10L		152 -28
AN960-10		58 -30	AN960-10L		59 -11	AN960-10L		153 -23
AN960-10		58 -37	AN960-10L		60 -16	AN960-10L		154 - 3
AN960-10		59 -39	AN960-10L		61 - 3	AN960-10L		154A- 2
AN960-10		60 - 9	AN960-10L		61 -12	AN960-10L		154B- 4
AN960-10		69 -57	AN960-10L		62 -50	AN960-10L		155 -11
AN960-10		70 -58	AN960-10L		63 -64	AN960-10L		164 -20
AN960-10		83 - 8	AN960-10L		69 -12	AN960-10L		164 -21
AN960-10		93 -64	AN960-10L		70 -12	AN960-10L		164 -24
AN960-10		94 -72	AN960-10L		75 - 3	AN960-10L		164 -34
AN960-10		94 -87	AN960-10L		76 - 3	AN960-10L		164 -40
AN960-10		112 -45	AN960-10L		77 - 3	AN960-10L		164 -43
AN960-10		112 -45	AN960-10L		78 - 3	AN960-10L		164 -53
AN960-10		120 - 8	AN960-10L		79 - 3	AN960-10L		171 - 7
AN960-10		120 -15	AN960-10L		80 - 3	AN960-10L		173 -32
AN960-10		123 -83	AN960-10L		91 - 6	AN960-10L		184 -39
AN960-10		125 -18	AN960-10L		91 -33	AN960-10L		184 -42
AN960-10		125 -19	AN960-10L		92 - 4	AN960-10L		185 -42
AN960-10		125 -236	AN960-10L		92 -37	AN960-1216		170 -20B
AN960-10		125 -26	AN960-10L		92 -38C	AN960-1216		171 -25
AN960-10		126 -52	AN960-10L		92 -43	AN960-1216		171 -62C
AN960-10		127 - 5	AN960-10L		93 - 3	AN960-1216L		169 -21
AN960-10		127 - 9	AN960-10L		93 - 5	AN960-1216L		169 -21
AN960-10		127 -14	AN960-10L		93 -32	AN960-1216L		170 -25
AN960-10		127 -19	AN960-10L		93 -52	AN960-3		119 - 7
AN960-10		128 -17	AN960-10L		93 -59	AN960-3L		170 -81
AN960-10		128 -18	AN960-10L		93 -77	AN960-3L		171 -97
AN960-10		128 -19	AN960-10L		93 -81	AN960-4		10 - 8
AN960-10		128 -42	AN960-10L		94 - 3	AN960-4		10 - 9
AN960-10		128 -63	AN960-10L		94 - 5	AN960-4		11 - 9
AN960-10		132 -10	AN960-10L		94 -40	AN960-4		11 -10
AN960-10		136 -61	AN960-10L		94 -60	AN960-4		82 -19
AN960-10		137 -10	AN960-10L		94 -67	AN960-4		92 -23A
AN960-10		138 -64	AN960-10L		94 -91	AN960-4		92 -24C
AN960-10		139 -20	AN960-10L		95 - 5	AN960-4		94 -76B



# 182 & T182 Parts Catalog

PART NUMBER	FICHE AND FRAME	FIGURE AND INDEX NO.	PART NUMBER	FICHE AND FRAME	FIGURE AND INDEX NO.	PART NUMBER	FICHE AND FRAME	FIGURE AND INDEX NO.
AN960-4		94 -77C	AN960-416L		145A-34	AN960-616		163 -41
AN960-4		145A- 3	AN960-416L		146 -33	AN960-616L		69 -24
AN960-4		145A- 9	AN960-416L		147 -32	AN960-616L		69 -51
AN960-4L		76 -69	AN960-416L		151 -32	AN960-616L		70 -24
AN960-4L		78 -52	AN960-416L		155 -12	AN960-616L		70 -51
AN960-4L		80 -66	AN960-416L		156 -18	AN960-716		5 - 5
AN960-4L		82 -11	AN960-416L		156 -19	AN960-716		6 - 5
AN960-4L		82 -19	AN960-416L		158 -28	AN960-716		59 -25
AN960-416		21 - 3	AN960-416L		158 -40	AN960-716		127 -26
AN960-416		22 - 3	AN960-416L		158 -45	AN960-716		128 -15
AN960-416		23 - 2	AN960-416L		159 -17	AN960-716		128 -58
AN960-416		24 - 2	AN960-416L		160 -26	AN960-716		192 - 3
AN960-416		24 -51	AN960-416L		161 -26	AN960-716L		76 -78
AN960-416		25 - 2	AN960-416L		165 -13	AN960-716L		78 -61
AN960-416		30 -38	AN960-416L		165 -19	AN960-716L		126 - 7A
AN960-416		56 -34	AN960-416L		173 -27	AN960-716L		128 - 2
AN960-416		56 -38	AN960-416L		174 -26	AN960-8		93 -87
AN960-416		59 - 7	AN960-416L		184 - 8	AN960-8		94 -95
AN960-416		61 - 7	AN960-416L		184 -46	AN960-8		140 -15
AN960-416		63 -38	AN960-416L		184 -55	AN960-8		140 -19
AN960-416		63 -58	AN960-416L		185 -16	AN960-8		144 -27
AN960-416		63 -76	AN960-416L		200 -12	AN960-8L		185 -26A
AN960-416		92 -30	AN960-516		12 -15	AN960-8L		188 -23
AN960-416		93 -43	AN960-516		13 -15	AN960-8L		188 -23
AN960-416		94 -51	AN960-516		21 - 4	AN960-816		5 - 2
AN960-416		95 -16	AN960-516		22 - 4	AN960-816		6 - 2
AN960-416		97 - 8	AN960-516		28 -17	AN960-816		20 - 4
AN960-416		97 -17	AN960-516		58 - 2	AN960-816		20 - 7
AN960-416		112 - 3	AN960-516		63 - 4	AN960A10		174 - 2
AN960-416		115 - 2	AN960-516		63 -21	AN960C10L		92 -20
AN960-416		118A- 4	AN960-516		66 -10	AN960C416		119B- 9
AN960-416		125 -23D	AN960-516		73 -15	AN960C516		138 -38
AN960-416		125 -37	AN960-516		112 -10	AN960C6		119B-20
AN960-416		128 -46	AN960-516		125 -43	AN960C6		119C-18
AN960-416		138 -15	AN960-516		125 -47	AN960C616L		138 - 4
AN960-416		140 - 8	AN960-516		157 -18	AN960C616L		138 -27
AN960-416		142 - 3	AN960-516		157 -30	AN960C8		75 -73
AN960-416		151 -31	AN960-516		158 -35	AN960C8		76 -54
AN960-416		157 -35	AN960-516		176 - 4	AN960C8		79 -74
AN960-416		157 -46	AN960-516		192 - 9	AN960C8		80 -42
AN960-416		158 -12	AN960-516L		56 - 6	AN960C8		119B- 7
AN960-416		158 -16	AN960-516L		58 -14	AN960C8		119B-15
AN960-416		163 -24	AN960-516L		58 -19A	AN960D10		31 - 3
AN960-416		163 -31	AN960-516L		59 -15	AN960D10L		30 -18
AN960-416		165 -16	AN960-516L		59 -29	AN960D10L		30 -43
AN960-416		173 -26	AN960-516L		69 -17	AN960D10L		81 -10
AN960-416		174 -27	AN960-516L		69 -21	AN960D10L		115 - 6
AN960-416		185 -20	AN960-516L		70 -17	AN960D10L		154 -12
AN960-416		201 - 5	AN960-516L		70 -21	AN960D10L		154 -20
AN960-416L		62 -33	AN960-516L		73 -15	AN960D10L		154 -26
AN960-416L		62 -46	AN960-516L		151 -35	AN960D10L		154 -54
AN960-416L		63 -54	AN960-516L		157 -23	AN960D416L		58 - 5
AN960-416L		72 -21	AN960-516L		163 -15	AN960D516		135 -76
AN960-416L		72 -26	AN960-516L		164 -47	AN960D516		175 -17
AN960-416L		73 -19	AN960-6		33 -17	AN960D6		151 -59
AN960-416L		73 -26	AN960-6		119A- 3	AN960D6		158 - 4
AN960-416L		80 -75	AN960-6		119A- 9	AN960D616		59 - 4
AN960-416L		93 -12	AN960-6L		119 - 3	AN960D616		63 -51
AN960-416L		93 -43	AN960-6L		148 -18	AN960D716		128 -56
AN960-416L		94 -20	AN960-6L		161 -47	AN960D716		177 - 4
AN960-416L		94 -51	AN960-6L		161 -48	AN960D8		181 -41
AN960-416L		95 - 2	AN960-6L		185 -45	AN960D8		182 -35
AN960-416L		95 -43	AN960-6L		188 -19	AN960D8		188 -30
AN960-416L		96 - 4	AN960-6L		188 -25	AN960PD10		69 -67
AN960-416L		96 -37	AN960-616		59 -26	AN960PD10		119C-14
AN960-416L		96 -56	AN960-616		60 - 3	AN960PD10		155 -16
AN960-416L		96A- 4	AN960-616		69 -52	AN960PD10		156 -28
AN960-416L		96A-39	AN960-616		70 -52	AN960PD10		156A-12
AN960-416L		96A-58	AN960-616		117 - 8	AN960PD10		194 -12
AN960-416L		117 -20	AN960-616		125 - 5	AN960PD10		194 -13
AN960-416L		125 -39	AN960-616		127 - 2	AN960PD1016L		201 -14
AN960-416L		135 -25	AN960-616		127 - 2	AN960PD1016L		202 -24
AN960-416L		135 -39	AN960-616		128 -31	AN960PD1216		170 -25
AN960-416L		141 -20	AN960-616		128 -67	AN960PD1416		180C- 7

# 182 & T182 Parts Catalog

PART NUMBER	FICHE AND FRAME	FIGURE AND INDEX NO.	PART NUMBER	FICHE AND FRAME	FIGURE AND INDEX NO.	PART NUMBER	FICHE AND FRAME	FIGURE AND INDEX NO.
AN960PD1416L		178 -32	A1639-2		120 - 2	A6191-8Z-3		31 -10
AN960PD1416L		179 -39	A1639-2		121 - 2	A6195-8Z3		21 -30
AN960PD1416L		180 -11	A1639-23		121 -10	A6195-8Z3		22 -32
AN960PD1416L		180A-11	A1639-26		65 -14	A6196-8Z3		21 -30
AN960PD1416L		180B- 8	A1639-26		74 -20	A6196-8Z3		22 -32
AN960PD3		23 -36	A1639-9		121A- 4	A7512-12		5 -25
AN960PD616		69 -34	A1937		121 -30	B2DX62	176A-	4
AN960PD616		70 -34	A2108		121 -21	B2345	121	-31
AN960PD616		148 - 7	A2109-3		57 - 8	B30022	73	-21
AN960PP616		148 -21	A2230		121 - 5	B30024	72	-27
AN960XC10L		154A-11	A2351		121 -34	B30024	73	-27
AN960XC10L		154A-25	A2513-34		65 -12	B30026	72	-24
AN960XC10L		154A-30	A2513-49		74 -21	B30026	72	-28
AN960XC4L		198 - 3	A2513-76		74 -14	B30026	73	-24
AN960X4CL		199 - 3	A2513-85		119C- 7	B30026	73	-28
AN96010L		9 -25	A2513-86		119C- 6	B30026	74	-27
AN970-3		83 - 7	A2513-89		122 - 2	B30026	74	-29
AN970-3		115 - 5	A30010		72 - 9	B30027	72	-23
AN970-3		126 -48	A30010		73 - 7	B30027	73	-23
AN970-3		139 -23	A30010		74 - 7	B30027	74	-28
AN970-3		181 -75	A30011		72 -12	B30076	72	- 5
AN970-3		181 -80	A30011		73 -10	B30077	65	- 5
AN970-3		182 -69	A30011		74 -10	B30087	74	-27
AN970-3		182 -74	A30013		72 -13	B30107-1	74	-25
AN970-4		139 -15	A30013		73 -11	B30107-2	74	-25
AN970-4		200 - 7	A30013		74 -11	B30113	74	-26
AN970-4		201 -17	A30014		72 -11	B30161	74	-23
AN970-4		202 -18	A30014		73 - 9	B30195	72	-15
AN970-5		112 - 9	A30014		74 - 9	B30440	72	-15
AN970-5		112 -29	A30015		72 -10	B30594	72	-29
A08-75		20 -18	A30015		73 - 8	B30649	73	-29
A1257A		5 -26	A30015		74 - 8	B3121	121A-	2
A1257A		6 -30	A30021		72 -30	B3414	121	-24
A1280-2		5 -27	A30023		72 -20	B3526	121	-19
A1280-2		6 -31	A30023		73 -18	B3905	121	-27
A1280-3		5 -27	A30023		74 -18	B3908	121	-11
A1280-3		6 -31	A30030		72 -32	B3921	121	- 4
A1633-11		121A- 6	A30030		73 -30	B40024-6	119C-	11
A1633-11		122 - 6A	A30040		72 -34	B4014	121	-42
A1633-12		121 -22	A30040		73 -32	B4016	121	-12
A1633-3		121 - 7	A30040		74 -33	B4026	121	-13
A1633-37		121 -44	A30047		65 -10	B4138	121	-18
A1633-47		74 -30	A30047		66 - 5	B4277-10	121	-38
A1633-48		74 -24	A30048		65 - 9	B4277-12	121	-38
A1633-9		121 -29	A30048		66 - 4	B4277-14	121	-38
A1634-6		121 -41	A30078-1		65 - 4	B4277-16	121	-38
A1635-36		121 - 9	A30078-1		66 - 8	B4277-18	121	-38
A1635-37		121 - 9	A30078-2		65 - 8	B4277-20	121	-38
A1635-40		121 - 9	A30078-2		66 - 6	B4277-3	121	-38
A1635-56		121 - 9	A30079-1		72 - 4	B4277-4	121	-38
A1635-66		121 -28	A30079-1		73 - 5	B4277-5	121	-38
A1635-67		121 - 9	A30079-1		74 - 5	B4277-6	121	-38
A1635-68		121 - 9	A30079-2		72 - 8	B4277-7	121	-38
A1635-70		121 -15	A30079-2		73 - 6	B4277-8	121	-38
A1635-73		72 -16	A30079-2		74 - 6	B4342	121	-16
A1635-79		72 -16A	A30085		72 -33	B4354	121	-17
A1636-23		65 -11	A30085		73 -31	B4354-1	121	-17
A1636-23		66 - 3	A30085		74 -32	B4407	121	-37
A1636-24		72 -14	A30087		72 -24	B4407-1	121	-37
A1636-24		73 -12	A30087		72 -28	B4407-2	121	-37
A1636-24		74 -12	A30087		73 -24	B4408	121	-39
A1636-7		121 -20	A30087		73 -28	B4426	121	-35
A1638-1		72 -18	A30087		74 -29	C-5046	122 - 6	
A1638-1		72 -18A	A30169		74 -31	CES1109CLASS1A	90	-19
A1638-1		74 -15	A3124		121 -32	CES1109CLASS1A	90A-	20
A1638-10		121A- 3	A3125		121 -33	CES1109CLASS1B	90	-19
A1638-15		65 -13	A3150-1		121A- 5	CES1109CLASS1B	90A-	20
A1638-15		74 -19	A3150-5		121 -25	CES1109CLASS1C	90	-19
A1638-15		74 -22	A3902		121 -26	CES1109CLASS1C	90A-	20
A1638-2		121 - 3	A3906		121 - 8	CES1109CLASS1G	90	-19
A1638-21		119C-13	A4001		121 - 6	CES1109CLASS1G	90A-	20
A1638-30		72 -17	A40137		119C- 9	CES1109CLASS1H	90	-19
A1638-4		119C- 8	A4427		121 -36	CES1109CLASS1H	90A-	20
A1639-1		74 -16	A4513-1		57 - 6	CES1109CLASS4	90	-19

# 182 & T182 Parts Catalog

PART NUMBER	FICHE AND FRAME	FIGURE AND INDEX NO.	PART NUMBER	FICHE AND FRAME	FIGURE AND INDEX NO.	PART NUMBER	FICHE AND FRAME	FIGURE AND INDEX NO.
CES1109CLASS4		90A-20	C166002-0401		182 -60	C262023-0102		73 - 2
CM2692-12P5S		69 - 5	C166002-0401		183 -53	C262023-0102		74 - 2
CM2692-12P5S		70 - 5	C166005-0204		181 -52	C291502-0106		98 -67
CM2692-14-1S		30 -27	C166005-0204		182 -50	C291502-0106		99 -69
CM2692-20-1S		19 -13	C166005-0205		181 -53	C291502-0106		100 -63
CM2692-28-1		76 -74	C166005-0205		182 -51	C291502-0106		101 -68
CM2692-28-1		78 -57	C166005-0208		182 -50	C291502-0106		101A-68
CM2692-28-1		80 -71	C166005-0504		181 -53	C291502-0106		102 -68
CM2692-28-1S		15 -18	C166005-0504		182 -51	C291502-0106		102A-65
CM2692-28-1S		14 -26	C166005-0603		183 -84	C291504-0202		130 -13
CM2692-52-1S		30 -46	C166005-0606		182 -57	C291504-0202		171 - 4
CM2791-1		123 -10	C166005-0606		183 -82	C292501-0104		98 -70
CM2791-1		123 -26	C166005-0607		182 -51	C292501-0104		99 -72
CM2791-1		124 -29	C166005-0608		182 -53	C292501-0104		100 -66
CM2791-1		124 -30	C166005-0703		182 -54	C292501-0104		101 -67
CM2791-1		124 -31	C166005-0703		183 -85	C292501-0104		101A-67
CM2791-1		124 -32	C166005-0705		181 -58	C292501-0104		102A-67
CM3525-2		161A- 7	C166005-0705		182 -57	C292501-0105		102 -70
CM3589-15		101A-72	C166005-0707		181 -55	C294501-0101		178 -12
CM3589-15		102A-70	C166005-0707		182 -53	C294501-0102		178 -14
CM3589-40		101 -66	C166006-0109		181 -30	C294501-0103		178 -15
CM3589-40		101A-66	C166006-0109		182 -27	C294502-0101		178 -57
CM679-2		184 -34	C166006-0201		182 -27	C294502-0201		178 -67
CR163-4-2		50 -73	C166006-0201		183 -32	C294502-0201		179 -25
CR163-4-2		77 -48	C166007-0102		183 -61	C294502-0201		180 -27
CR163-4-4		12 -20	C166007-0105		181 -71	C294502-0201		180A-31
CR163-4-4		50 -72	C166007-0105		182 -65	C294502-0201		180B-26
CR163-4-4		75 -42	C166008-0101		181 -39	C294505-0101		177 -13
CR163-4-4		75 -56	C166008-0101		182 -33	C294505-0102		177 -14
CR163-4-4		76 -41	C166008-0101		183 -75	C294506-0103		128 -13
CR163-4-4		76 -47	C166008-0103		181 -44	C294507-0101		177 -31
CR163-4-4		79 -58	C166008-0103		182 -38	C294510-0901		130 -12
CR163-4-4		79 -59	C166008-0103		183 -77	C294510-0901		137 -14
CR163-4-4		80 -35	C166009-0701		183 -81	C295001-0304		138 - 1
CR163-4-4		80 -44	C166009-0703		181 -56	C299501-0105		128 - 2
C156001-0103		9 -13	C166009-0703		182 -54	C299505-0205		98 -65
C156001-0104		9 -14	C166010-0101		181 - 1	C299505-0205		99 -67
C156001-0104		16 -36	C166010-0102		181 - 1	C299506-0102		98 -64
C156001-0106		9 -15	C166010-0102		182 - 1	C299506-0102		99 -66
C156001-0106		16 -33	C166010-01021		183 -11	C30019		72 -18A
C156001-0110		9 -15	C166010-0103		181 - 1	C30019		73 -17
C156003-0101		9 -87	C166010-0103		182 - 1	C30041		72 -19
C161031-0101		129 -25	C166010-0107		182 - 1	C30057		65 - 3
C161031-0101		126 -16	C166010-0109		183 -11	C301001-0211		163 -46
C161031-0107		129 -25	C16605-0605		183 -80	C301002-0103		163 -43
C161031-0107		126 -16	C16605-0609		183 -83	C301002-0104		163 -43
C161031-0113		130 -14	C17312-1		189 - 4	C301002-0114		163 -39
C161031-113		128 -12	C17312-3		189 - 4	C301002-0116		163 -44
C161040-0103		129 -25	C17313		189 - 7	C301002-0301		163 -39
C161040-0103		131 -	C17325		189 - 2	C301002-0308		163 -44
C163001-0104		71 -	C17326		189 - 5	C301002-0309		163 -39
C163003-0102		72 - 2	C17330		189 - 3	C301002-0310		163 -39
C163003-0401		65 - 2	C17331-1		189 - 6	C301002-0312		163 -44
C163004-0104		72 - 2	C17331-6		189 - 6	C30163-4		72 - 7
C163005-0201		66 - 2	C1997C4-5		156A- 5	C30163-6		72 - 6
C163006-0101		73 - 2	C2252-064-4		145A-38	C30172		65 - 7
C163006-0103		74 - 2	C253001-0101		75 -21	C30172-1		65 - 6
C163030-0113		71 -14	C253001-0101		83 - 9	C30598		66 - 7
C163032-0107		72 -18A	C253001-0102		76 - 8	C30605		73 - 4
C163032-0110		73 -16	C262001-0202		64 -12	C30612		73 - 3
C163032-0205		74 -16	C262001-0202		65 - 1	C30615-1		73 -13
C163032-0206		74 -16	C262003-0202		64 -12	C30615-3		74 -13
C165006-0502		140 - 4	C262003-0202		65 - 1	C3411		121 -40
C165008-0101		180C-18	C262003-0204		71 -31	C3418		121 -23
C165013-0703		119C-21	C262003-0204		72 - 1	C3903		121 -43
C165013-0705		119C-20	C262003-0204		73 - 1	C3910/C203		121 - 1
C165020-0101		119C-27	C262003-0204		74 - 1	C40136		119C- 5
C165031-0101		96 -39	C262003-0212		66 - 1	C40179		119C-10
C165031-0101		96A-41	C262003-0213		73 - 1	C4129		121 -14
C165031-0102		92 -41	C262023-0101		64 -13	C421001-0101		112 -48
C166001-0601		181 -63	C262023-0101		65 - 2	C421001-0102		112 -49
C166001-0601		182 -59	C262023-0101		66 - 2	C421001-0201		112 -59
C166001-0601		183 -52	C262023-0102		71 -32	C421001-0202		112 -60
C166002-0401		181 -64	C262023-0102		72 - 2	C421001-0202		112 -65

# 182 & T182 Parts Catalog

PART NUMBER	FICHE AND FRAME	FIGURE AND INDEX NO.	PART NUMBER	FICHE AND FRAME	FIGURE AND INDEX NO.	PART NUMBER	FICHE AND FRAME	FIGURE AND INDEX NO.
C431003-0101		180 - 5	C622001-0102		57 - 3	C661075-0101		98 -39
C431003-0101		180A- 2	C622001-0104		57 - 7	C661075-0101		99 -41
C431003-0102		178 -36	C622001-0201		5 -23	C661075-0101		100 -37
C431003-0102		179 -31	C622001-0201		6 -27	C661075-0101		102 -38
C431003-0102		180 - 3	C622003-0105		3 -33	C661075-0101		102A-36
C431003-0102		180A- 1	C622006-0101		5 -27	C661075-0101		179 - 3
C431003-0102		180B- 1	C622006-0103		5 -29	C661075-0103		101 -38
C431003-0102		180C- 1	C622006-0103		6 -33	C661075-0103		101A-36
C431003-0302		178 -36	C622006-0105		5 -30	C661075-0103		178 - 3
C431003-0302		179 -31	C622006-0105		6 -34	C661075-0103		98 -39
C431003-0302		180 - 3	C622006-0106		5 -28	C661075-0103		99 -41
C431003-0302		180 - 5	C622006-0107		5 -27	C661075-0103		100 -37
C431003-0302		180A- 1	C622006-0107		6 -31	C661075-0103		102 -38
C431003-0302		180A- 2	C622006-0108		5 -28	C661075-0103		102A-36
C431003-0302		180B- 1	C622006-0108		6 -32	C661075-0103		179 - 3
C431003-0302		180C- 1	C622007-0101		184 -36	C661075-0104		101 -38
C482001-0202		178 -32	C622008-0101		184 -36	C661075-0104		101A-36
C482001-0202		179 -39	C622008-0102		185 -52	C661075-0104		98 -39
C482001-0202		180 -12	C660501-0101		116 -15	C661075-0104		102 -38
C482001-0202		180A-12	C660501-0102		116 -15	C661075-0104		102A-36
C482001-0401		178 -30	C661003-0504		98 -31	C661075-0104		179 - 3
C482001-0401		179 -37	C661003-0504		99 -33	C661075-0105		179 - 3
C482001-0401		180 -10	C661003-0504		100 -29	C661075-0105		101 -38
C482001-0401		180A-10	C661003-0505		101 -29	C661075-0105		178 - 3
C482001-0401		180B- 7	C661003-0506		98 -31	C661075-0105		98 -39
C482002-113		138 -52	C661003-0506		99 -33	C661075-0105		99 -41
C5046		121A- 9	C661003-0506		100 -29	C661075-0105		100 -37
C592001-0201		5 -44	C661003-0506		101 -29	C661075-0106		101 -38
C592001-0201		23 -33	C661003-0506		101A-28	C661075-0106		101A-36
C592001-0201		25 -64	C661003-0506		102 -30	C661075-0106		178 - 3
C592001-0203		18 -34	C661003-0506		102A-28	C661075-0106		99 -41
C592001-0203		23 -35	C661003-0507		101A-28	C661075-0106		100 -37
C592001-0203		25 -64	C661003-0507		102 -30	C661075-0106		102 -38
C592001-0204		18 -34	C661003-0507		102A-28	C661075-0106		102A-36
C592001-0204		23 -35	C661025-0102		99 -43	C661075-0106		179 - 3
C592001-0204		25 -64	C661025-0102		100 -39	C661075-0107		179 - 3
C592001-0205		18 -34	C661025-0102		101 -40	C661075-0107		101 -38
C592001-0205		23 -35	C661025-0102		101A-38	C661075-0107		99 -41
C592001-0205		25 -64	C661025-0102		102 -39	C661075-0107		100 -37
C593001-0101		184 -34	C661025-0102		102A-37	C661075-0108		101 -38
C593003-0101		185 -50	C661060-0201		98 -32	C661075-0108		102 -38
C593003-0103		185 -50	C661061-0201		98 -33	C661075-0108		179 - 3
C594502-0102		189 -18	C661064-0204		99 -34	C661076-0101		98 -38
C596504-0101		188 -28	C661064-0212		100 -30	C661076-0101		102 -37
C610502-0101		160 - 9	C661064-0212		101 -30	C661076-0101		102A-35
C610502-0101		161 - 9	C661064-0234		101 -30	C661076-0101		179 - 1
C611001-0101		184 - 9	C661064-0234		101A-29	C661076-0101		101 -39
C611001-0102		184 - 9	C661064-0236		102 -31	C661076-0101		101A-37
C611003-0101		161 -46	C661064-0236		102A-29	C661076-0101		178 - 1
C611004-0102		185 -49	C661065-0204		99 -35	C661076-0102		98 -38
C611005-0101		185 -49	C661065-0212		100 -31	C661076-0102		99 -40
C611005-0103		185 -49	C661065-0212		101 -31	C661076-0102		100 -36
C611501-0102		129 -13	C661065-0234		101A-30	C661076-0102		102 -37
C611501-0102		191 - 1	C661065-0236		102 -32	C661076-0102		102A-35
C611503-0102		129 -13	C661065-0236		102A-30	C661076-0102		179 - 1
C611503-0102		130 - 6	C661071-0101		98 -41	C661076-0102		101 -39
C611503-0102		191 - 1	C661071-0101		99 -43	C661076-0102		101A-37
C611503-0102		192 - 1	C661071-0101		100 -39	C661076-0102		178 - 1
C611503-0102		193 - 1	C661071-0101		101 -40	C661076-0103		98 -38
C611505-0102		130 - 7	C661071-0101		101A-38	C661076-0103		99 -40
C611505-0102		194 - 1	C661071-0101		102 -39	C661076-0103		100 -36
C613001-0101		185 -30	C661071-0101		102A-37	C661076-0103		102 -37
C613001-0101		185 -30A	C661071-0101		167 - 4	C661076-0103		102A-35
C613001-0201		184 -33	C661071-0102		167 - 4	C661076-0103		179 - 1
C614001-0101		200 - 2	C661071-0102		98 -42	C661076-0103		101 -39
C614001-0102		200 - 2	C661071-0102		99 -44	C661076-0103		101A-37
C614001-0105		200 - 2	C661071-0102		100 -40	C661076-0103		178 - 1
C614001-0106		200 - 2	C661071-0102		101 -41	C661076-0105		99 -40
C614002-0101		201 - 2	C661071-0102		101A-39	C661076-0105		100 -36
C614002-0101		202 - 2	C661071-0102		102 -40	C661076-0105		102 -37
C614002-0102		201 - 2	C661071-0102		102A-38	C661076-0105		102A-35
C614002-0102		202 - 2	C661075-0101		101 -38	C661076-0105		179 - 1
C621001-0102		189 -	C661075-0101		101A-36	C661076-0105		101 -39
C621001-0106		189 -	C661075-0101		178 - 3	C661076-0105		101A-37

# 182 & T182 Parts Catalog

PART NUMBER	FICHE AND FRAME	FIGURE AND INDEX NO.	PART NUMBER	FICHE AND FRAME	FIGURE AND INDEX NO.	PART NUMBER	FICHE AND FRAME	FIGURE AND INDEX NO.
C661076-0105		178 - 1	C668501-0204		127 -23	D6147		4 -24
C661076-0106		101A-37	C668501-0205		98 -51	D6162-13		4 -24
C661076-0106		102A-35	C668501-0205		99 -54	D6162-13		4 -24
C661076-0107		102 -37	C668501-0205		100 -49	EC1239A-B		1 -10
C661076-0107		179 - 1	C668501-0205		101 -53	EC1675A-B		1 -14A
C661076-0107		101 -39	C668501-0205		101A-53	EC776		1 -12
C661076-0108		101A-37	C668501-0205		102 -53	EC880		1 - 2
C661076-0108		102A-35	C668501-0205		102A-51	EM41E		129 -24
C661080-0101		98 -43	C668501-0206		98 -52	FCC-20068		16 - 4
C661080-0101		99 -45	C668501-0206		99 -55	FCC-20068		16 - 4
C661080-0101		100 -41	C668501-0206		100 -50	FDC-2475-50		114 - 6
C661080-0101		101 -42	C668501-0206		101 -54	FTC750H		161 -18
C661080-0101		101A-40	C668501-0206		101A-54	FTC750J		160 -18
C661080-0101		102 -41	C668501-0206		102 -54	GE1821		185 - 8
C661080-0101		102A-39	C668501-0206		102A-52	GNB4012		58 - 8
C662035-0101		98 -56	C668501-0207		100 -50	GNB40120H		58 - 8
C662035-0101		99 -54	C668501-0211		98 -52	G440437		99 -48
C662035-0101		100 -49	C668501-0211		99 -55	G440437		100 -44
C662035-0101		101 -51	C668501-0211		101 -54	G440437		101 -46
C662035-0101		101A-51	C668501-0211		101A-54	G441344		99 -47
C662038-0101		102 -53	C668501-0211		102 -54	G441344		100 -43
C662038-0101		102A-51	C668501-0211		102A-52	G441344		101 -45
C662038-0104		102 -53	C668507-0101		112 -21	G442702		98 -47
C662503-0107		102A-82	C668507-0101		145 -47	G442702		99 -49
C662503-0107		119C- 1	C668509-0101		101 -36	G442702		100 -45
C662503-0108		102A-82	C668509-0101		101A-35	G442702		101 -47
C662503-0108		119B- 1	C668509-0101		102 -44	G442786-63		98 -48
C664501-0103		98 -54	C668509-0101		102A-42	G442786-63		99 -50
C664501-0103		99 -57	C668509-0101		180 -17	G442786-63		100 -46
C664502-0101		100 -52	C668509-0101		180A-17	G442786-63		101 -48
C664502-0101		101 -53	C668509-0101		180B-33	G444627		98 -49
C664503-0101		101 -53	C668540-0101		98 -40	G444627		99 -51
C664503-0101		101A-53	C668540-0101		99 -42	G444627		100 -47
C664503-0101		102 -55	C668540-0101		100 -38	G444627		101 -49
C664503-0101		102A-53	C668540-0101		178 -28	G444627		177 - 1
C664508-0102		98 -30	C669502-0201		98 -44	HN5P-54-1-1		84 -15
C664508-0102		99 -32	C669502-0202		98 -44	H11-1287		63 -70
C664508-0102		100 -28	C669502-0202		99 -46	H322-4-1		84 -15
C664508-0102		101 -28	C669502-0202		100 -42	H323-3-1-1		84 -15
C664508-0102		101A-27	C669502-0202		101 -44	H559-3-1		84 -15
C664508-0102		101A-27	C669545-0103		101 -44	J2005-2		191 - 6
C664508-0102		102 -29	C669545-0107		101 -44	J9534-20		191 - 4
C664508-0102		102A-27	C669545-0108		102 -46	J9534-20		191 -13
C664508-0201		101A-27	C669545-0110		101 -44	KM610-064		123 -15
C664508-0201		102A-27	C669545-0110		101A-43	KM610-064		124 -22
C664508-0202		101A-27	C669545-0111		102 -46	KM610-064		124 -49
C664508-0202		102A-27	C669545-0111		102A-44	KM610-64		123 -21
C664511-0102		101 -28	C744001-0101		168 - 4	KPT06E82P		119A- 5
C664511-0102		102 -29	C800030-19		183 - 87	K375-125		154B- 9
C664511-0102		102A-27	C8566-8Z		29 -37	LC-0456-1		172A- 8
C668020-0104		98 -57	DW4K2		30 -67	LC0516-1		172 - 8
C668020-0104		99 -59	D30119		74 -17	LW-12681		130 - 4
C668020-0117		100 -53	D30210		72 - 7A	LW-14975		130 -18
C668020-0117		101 -52	D30222		72 - 6A	LW-15572		130 -10
C668020-0117		101A-52	D30259		72 - 3	LW-18987		130 -11
C668020-0117		102 -56	D30656		73 - 4	LW-382560-11		130 - 2
C668020-0117		102A-54	D30657		74 - 4	LW-682560-11		130 - 1
C668020-0204		98 -57	D30661		73 - 3	LW-684602-303		130 - 3
C668020-0204		99 -59	D30662		74 - 3	LW10729		193 - 6
C668020-0217		100 -53	D366		116 -10	L4858-1		98 -61
C668020-0217		101 -52	D40158		119C-15	L4858-1		99 -63
C668020-0217		101A-52	D4023X.375		116 -12	L4858-1		100 -57
C668020-0217		102 -56	D6016		3 -87	L4858-1		102 -60
C668020-0217		102A-54	D6031		3 -87	MC100-24		92 -45
C668050-0301		9 -80	D6048		4 -24	MC100-24		96 -48
C668050-0302		9 -80	D6069		4 -24	MC100-24		96A-50
C668501-0204		98 -52	D6080		4 -24	MC2104215		163 -16
C668501-0204		99 -55	D6086		4 -24	MS100009		131 -17
C668501-0204		100 -50	D6087		4 -24	MS124663		177 -24
C668501-0204		101 -54	D6107		4 -24	MS124663		177 -29
C668501-0204		101A-54	D6108		4 -24	MS15002-1		63 -69
C668501-0204		102 -54	D6128		4 -24	MS15002-3		62 -54
C668501-0204		102A-52	D6129		4 -24	MS15002-3		63 -81
C668501-0204		125 -50	D6146		4 -24	MS15584-2		190 - 3

# 182 & T182 Parts Catalog

PART NUMBER	FICHE AND FRAME	FIGURE AND INDEX NO.	PART NUMBER	FICHE AND FRAME	FIGURE AND INDEX NO.	PART NUMBER	FICHE AND FRAME	FIGURE AND INDEX NO.
MS15584-8		188 -22	MS20364-1032C		128 -42	MS20392-1C21		93 -68
MS15584-8		190 - 3	MS20364-1032C		140 -42	MS20392-1C21		94 - 1
MS16535-94		82 -17	MS20364-1032C		164 -20	MS20392-1C21		94 -76
MS16562-15		170 -64	MS20364-1032C		164 -24	MS20392-1C23		91 -38
MS16562-15		171 -83	MS20364-1032C		174 -24	MS20392-1C33		81 - 2
MS16562-16		126 -24	MS20364-1032C		176 -16	MS20392-1C35		82 -12
MS16562-16		137 - 5	MS20364-1032C		176A-20	MS20392-1C37		83 - 2
MS16562-16		146 -37	MS20364-428		180A-24	MS20392-1C7		145A- 2
MS16562-16		147 -36	MS20364-428A		72 -22	MS20392-1C7		145A- 8
MS16562-205		139 - 9	MS20364-428A		73 -20	MS20392-1C9		75 -14
MS16624-1081		162 -12	MS20364-832C		75 -38	MS20392-1C9		76 -70
MS16624-1137		151 -10	MS20364-832C		202 -16	MS20392-1C9		77 -16
MS16624-1262		69 - 8	MS20365-1032C		30 -40	MS20392-1C9		78 -53
MS16624-1262		70 - 8	MS20365-1032C		30 -72	MS20392-1C9		79 -16
MS16624-1275		62 -28	MS20365-1032C		30 -73	MS20392-1C9		80 -67
MS16624-1275		63 -34	MS20365-1032C		32 - 4	MS20392-1C9		91 -47
MS16624-3075		61 - 8B	MS20365-1032C		32 - 9	MS20392-2C11		93 - 4
MS16624-4025		92 -61	MS20365-1032C		121A-12	MS20392-2C11		94 - 4
MS16624-50		170 -75	MS20365-1032C		122 - 9	MS20392-2C11		140 -27
MS16624-50		171 -93A	MS20365-1032C		124 -19	MS20392-2C11		164 -39
MS16625-1075		69 - 3	MS20365-1032C		125 -23	MS20392-2C15		149 -11
MS16625-1075		70 - 3	MS20365-1032C		125 -40	MS20392-2C15		149 -24
MS16625-1143		68 - 7	MS20365-1032C		125 -41	MS20392-2C15		149A-17
MS16625-143		67 - 1	MS20365-1032C		126 -53	MS20392-2C15		149A-29
MS20036-6		138 - 3	MS20365-1032C		127 -15	MS20392-2C19		164 -21
MS20036-7		138 - 2	MS20365-1032C		127 -19	MS20392-2C31		58 - 5
MS20074-04-03		140 - 7	MS20365-1032C		128 -57	MS20392-2C37		93 -63
MS20074-04-13		119B- 9	MS20365-1032C		133 - 4	MS20392-2C37		94 -71
MS20074-04-21		138 -57	MS20365-1032C		134 -15	MS20392-2C43		91 -36
MS20074-04-3		126 -19	MS20365-1032C		136 -62	MS20392-2C45		81 - 7
MS20074-04-30		194 -12	MS20365-1032C		138 -46	MS20392-2C45		92 -20
MS20074-05-04		136 - 9	MS20365-1032C		139 -21	MS20392-2C51		94 -85A
MS20074-05-06		138 -39	MS20365-1032C		139 -27	MS20392-2C55		93 -76
MS20074-05-10		192 - 8	MS20365-1032C		139 -34	MS20392-2C59		94 -85
MS20074-05-12		119B-10	MS20365-1032C		140 -33	MS20392-2C63		20 -13
MS20074-05-14		191 -11	MS20365-1032C		141 - 7	MS20392-2C71		95 -23
MS20074-06-05		119B-12	MS20365-1032C		141 -29	MS20392-3C17		93 -14
MS20074-06-07		138 -28	MS20365-1032C		147 -20	MS20392-3C17		94 -22
MS20074-06-14		136 - 6	MS20365-1032C		149 -19	MS20392-3C19		158 -26
MS20200KP4		25 -62	MS20365-1032C		171 - 8	MS20392-3C25		158 -20
MS20220-2		157 -17	MS20365-1032C		171 -24	MS20392-3C29		92 -42
MS20220-2		157 -21	MS20365-428C		138 -16	MS20392-3C49		93 -11
MS20220-2		157 -28	MS20365-524A		73 -16	MS20392-3C49		94 -19
MS20220-2		158 -33	MS20365-624C		125 - 4	MS20392-4C13		148 -42
MS20220-2		163 -13	MS20365-720C		5 - 8	MS20392Z-2C17		93 -52
MS20230B20		135 -75	MS20365-720C		6 - 8	MS20392Z-2C17		94 -60
MS20230B20		135 -83	MS20365-720C		128 - 2	MS20426AD10		20 -11
MS20253-2-4046		25 -41	MS20365-720C		192 - 4	MS20435-M4-12		156 -16
MS20253-2-646		111 - 4	MS20365-720C		193 - 4	MS20450C8-5		198 - 2
MS20253-5-100		126 - 5	MS20365-720C		194 - 3	MS20450C8-6		199 - 2
MS20253P1-292		58 -42	MS20365-82C		20 - 8	MS20615-4M10		75 -35
MS20253P2-292		59 -46	MS20365-820C		5 - 3	MS20615-4M10		76 -16
MS20253P2-292		70 -61	MS20365-820C		6 - 3	MS20615-4M10		77 -32
MS20364-1032		91 -19	MS20365-820C		20 - 5	MS20615-4M10		78 -13
MS20364-1032		136 - 4	MS20392-1C11		76 -68	MS20615-4M10		79 -36
MS20364-1032C		30 -87	MS20392-1C11		78 -51	MS20615-4M10		80 -15
MS20364-1032C		30 -98	MS20392-1C11		80 -65	MS20665-132		81 - 3
MS20364-1032C		69 -13	MS20392-1C11		82 - 9	MS20822-2		128 -33
MS20364-1032C		70 -13	MS20392-1C11		93 -71	MS20822-2D		176A- 5
MS20364-1032C		75 -13	MS20392-1C11		94 -80	MS20822-3D		69 -35
MS20364-1032C		76 -82	MS20392-1C11		163 - 3	MS20822-3D		70 -35
MS20364-1032C		77 -13	MS20392-1C11		163 - 8	MS20822-3D		72 -35
MS20364-1032C		78 -65	MS20392-1C13		92 -22A	MS20822-4		128 -59
MS20364-1032C		79 -13	MS20392-1C13		94 -76A	MS20822-4D		177 -10
MS20364-1032C		80 -79	MS20392-1C15		75 -15	MS20822-4D		181 -94B
MS20364-1032C		123 -85	MS20392-1C15		77 -17	MS20822-4D		181 -96C
MS20364-1032C		125 -10	MS20392-1C15		79 -17	MS20822-6-6D		171 -18
MS20364-1032C		125 -13	MS20392-1C17		92 -24B	MS20822-6D		178 -17
MS20364-1032C		125 -26	MS20392-1C17		94 -77B	MS20822-6D		179 -22
MS20364-1032C		127 - 5	MS20392-1C17		114 - 3	MS20822-8		128 -22
MS20364-1032C		127 - 7	MS20392-1C21		91 - 1	MS20822-8D		169 -45
MS20364-1032C		127 -16	MS20392-1C21		92 - 3	MS20822-8D		170 -50
MS20364-1032C		128 -18	MS20392-1C21		92 -22	MS20822-8D		171 -12
MS20364-1032C		128 -19	MS20392-1C21		93 - 1	MS20823-16-12		128 -60

# 182 & T182 Parts Catalog

PART NUMBER	FICHE AND FRAME	FIGURE AND INDEX NO.	PART NUMBER	FICHE AND FRAME	FIGURE AND INDEX NO.	PART NUMBER	FICHE AND FRAME	FIGURE AND INDEX NO.
MS20823-4		138 -42	MS21042L4		151 -58	MS21044N06		161 -47
MS20823-4B		182 -87A	MS21042L4		157 -36	MS21044N06		161 -48
MS20823-4B		183 -41	MS21042L4		157 -43	MS21044N06		185 -50
MS20823-6D		128 -27	MS21042L4		158 -13	MS21044N08		16 -32
MS20823-6D		178 -47	MS21042L4		158 -17	MS21044N08		24 -41
MS20823-6D		179 -19	MS21042L4		158 -32	MS21044N08		25 -67
MS20823-6D		179 -23	MS21042L4		158 -41	MS21044N08		28 -10
MS20823-8		170 -47	MS21042L4		158 -46	MS21044N08		28 -41
MS20823-8D		169 -38	MS21042L4		163 -32	MS21044N08		28 -41
MS20823-8D		169 -40	MS21042L4		163 -39	MS21044N08		29 -23
MS20826-4D		181 -94	MS21042L4		165 -14	MS21044N08		29 -23
MS20826-6D		178 - 8	MS21042L4		165 -20	MS21044N08		35 -22
MS20826-6D		178 -18	MS21042L4		165 -24	MS21044N08		76 -19
MS20826-6D		178 -48	MS21042L4		173 -28	MS21044N08		78 -16
MS20826-6D		179 -11	MS21042L4		173 -33	MS21044N08		80 -18
MS20826-6D		179 -17	MS21042L4		174 -28	MS21044N08		91 - 9
MS20826-8		128 -24	MS21042L4		184 -48	MS21044N08		93 -88
MS20913-1D		169 -27	MS21042L4		200 - 7	MS21044N08		94 -83
MS20913-1D		178 - 5	MS21042L4		201 -18	MS21044N08		94 -96
MS20913-1D		179 - 5	MS21042L4		202 -18	MS21044N08		151 -18
MS20913-10		181 -95	MS21042L5		12 -16	MS21044N08		151 -25
MS20913-15		174 -18	MS21042L5		13 -16	MS21044N08		151 -42
MS21042		142 -16	MS21042L5		21 - 6	MS21044N08		151 -53
MS21042-3		142 -17	MS21042L5		22 - 6	MS21044N08		151 -64
MS21042-3		142 -18	MS21042L5		28 -19	MS21044N08		155 - 8
MS21042-3		142 -20	MS21042L5		56 - 7	MS21044N08		156 - 8
MS21042-3		142 -22	MS21042L5		58 - 2	MS21044N08		162 -16
MS21042-3		142 -23	MS21042L5		58 -22	MS21044N08		166 -37
MS21042-3		145A-32	MS21042L5		59 -31	MS21044N08		168 - 4
MS21042L08		140 -16	MS21042L5		62 - 5	MS21044N08		181 -42
MS21042L08		140 -20	MS21042L5		62 - 8	MS21044N08		185 -36
MS21042L08		157 -50	MS21042L5		63 - 5	MS21044N08		188 -31
MS21042L08		163 - 9	MS21042L5		63 -22	MS21044N08		189 -20
MS21042L3		18 -10	MS21042L5		69 -18	MS21044N3		7 -28
MS21042L3		140 -11	MS21042L5		69 -22	MS21044N3		7 -37
MS21042L3		140 -25	MS21042L5		70 -18	MS21044N3		7 -38
MS21042L3		140 -37	MS21042L5		70 -22	MS21044N3		9 -25
MS21042L3		154 -13	MS21042L5		112 -11	MS21044N3		9 -55
MS21042L3		154 -21	MS21042L5		157 -19	MS21044N3		9 -61
MS21042L3		154 -27	MS21042L5		157 -24	MS21044N3		19 - 4
MS21042L3		154A-12	MS21042L5		157 -31	MS21044N3		19 -12
MS21042L3		154A-26	MS21042L5		158 -36	MS21044N3		23 -15
MS21042L3		157 -10	MS21042L6		59 - 5	MS21044N3		24 -36C
MS21042L4		18 - 6	MS21042L6		59 -26	MS21044N3		26 -13
MS21042L4		21 - 5	MS21042L6		60 - 5	MS21044N3		27 -12
MS21042L4		22 - 5	MS21042L6		69 -25	MS21044N3		28 -64
MS21042L4		23 - 3	MS21042L6		70 -25	MS21044N3		29 -15
MS21042L4		24 - 3	MS21042L6		127 - 3	MS21044N3		30 -38
MS21042L4		24 -51	MS21042L6		151 -22	MS21044N3		31 - 2
MS21042L4		25 - 3	MS21042L6		163 -42	MS21044N3		31 - 9
MS21042L4		25 -61	MS21044A08		182 -36	MS21044N3		40 -46
MS21042L4		56 -35	MS21044D3		40 -47	MS21044N3		40 -48
MS21042L4		56 -39	MS21044D3		40 -48	MS21044N3		41 -45
MS21042L4		62 -12	MS21044N04		185 -33	MS21044N3		41 -46
MS21042L4		63 -10	MS21044N04		195B- 7	MS21044N3		41 -47
MS21042L4		63 -39	MS21044N06		30 -16	MS21044N3		41 -48
MS21042L4		63 -55	MS21044N06		33 -17	MS21044N3		44 -11
MS21042L4		95 - 3	MS21044N06		33 -22	MS21044N3		44 -38
MS21042L4		95 -44	MS21044N06		34 -15	MS21044N3		44 -79
MS21042L4		95 -48	MS21044N06		34A-19	MS21044N3		54 -13
MS21042L4		96 - 5	MS21044N06		56 -31	MS21044N3		55 - 8
MS21042L4		96 -57	MS21044N06		99 -57	MS21044N3		56 -18
MS21042L4		96A- 5	MS21044N06		100 -52	MS21044N3		58 - 8
MS21042L4		96A-58	MS21044N06		101 -53	MS21044N3		58 -30
MS21042L4		97 - 5	MS21044N06		101A-53	MS21044N3		58 -38
MS21042L4		97 - 9	MS21044N06		102 -55	MS21044N3		59 -40
MS21042L4		97 -18	MS21044N06		102A-53	MS21044N3		60 -10
MS21042L4		115 - 2	MS21044N06		119 - 3	MS21044N3		60 -17
MS21042L4		115 - 3	MS21044N06		119A- 4	MS21044N3		69 -37
MS21042L4		117 -21	MS21044N06		119A-10	MS21044N3		69 -57
MS21042L4		125 -39	MS21044N06		144 -27	MS21044N3		70 -37
MS21042L4		126 - 2	MS21044N06		145A-46	MS21044N3		70 -59
MS21042L4		128 -47	MS21044N06		147 -31	MS21044N3		76 - 4
MS21042L4		151 -32	MS21044N06		152 -27	MS21044N3		77 - 4

# 182 & T182 Parts Catalog

PART NUMBER	FICHE AND FRAME	FIGURE AND INDEX NO.	PART NUMBER	FICHE AND FRAME	FIGURE AND INDEX NO.	PART NUMBER	FICHE AND FRAME	FIGURE AND INDEX NO.
MS21044N3		78 - 4	MS21044N3		164 -17	MS21209F1-15		63 -23
MS21044N3		79 - 4	MS21044N3		164 -30	MS21209F1-20		152 - 3
MS21044N3		80 - 4	MS21044N3		164 -35	MS21209F1-20		153 - 3
MS21044N3		83 - 6	MS21044N3		164 -43	MS21209F4-15		63 - 5
MS21044N3		92 - 4	MS21044N3		165 -30	MS21209F4-20		67 -14
MS21044N3		92 -38B	MS21044N3		169 -30A	MS219ADG5		127 -16
MS21044N3		92 -49	MS21044N3		169 -47	MS21900D6		128 -27
MS21044N3		93 - 3	MS21044N3		170 -31	MS21900D6		128 -28
MS21044N3		94 - 3	MS21044N3		170 -35	MS21919DF12		136 -60
MS21044N3		95 -20	MS21044N3		171 -35	MS21919DG10		185 -21
MS21044N3		95 -30	MS21044N3		173 -23	MS21919DG11		128 -57
MS21044N3		96 -14	MS21044N3		173 -24	MS21919DG12		126 -43
MS21044N3		96 -20	MS21044N3		181 -19	MS21919DG12		138 -43
MS21044N3		96 -43	MS21044N3		181 -26	MS21919DG12		194 -11
MS21044N3		96 -47	MS21044N3		181 -29	MS21919DG12		194 -12
MS21044N3		96A-14	MS21044N3		181 -76	MS21919DG12		194 -13
MS21044N3		96A-20	MS21044N3		181 -81	MS21919DG12		194 -14
MS21044N3		96A-45	MS21044N3		181 -85	MS21919DG14		127 - 7
MS21044N3		96A-49	MS21044N3		182 -19	MS21919DG14		127 -16
MS21044N3		112 -14	MS21044N3		182 -26	MS21919DG14		128 -10
MS21044N3		112 -16	MS21044N3		182 -70	MS21919DG16		128 -10
MS21044N3		115 - 5	MS21044N3		182 -75	MS21919DG2		119A- 1
MS21044N3		115 - 6	MS21044N3		182 -78	MS21919DG2		119C-14
MS21044N3		115 - 7	MS21044N3		183 -17	MS21919DG2		125 -43
MS21044N3		119C-29	MS21044N3		183 -24	MS21919DG2		128 -42
MS21044N3		125 -32	MS21044N3		183 -65	MS21919DG2		176 -14
MS21044N3		125 -41	MS21044N3		184 -17	MS21919DG2		176A-17
MS21044N3		132 - 4	MS21044N3		184 -53	MS21919DG2		176A-18
MS21044N3		141 -10	MS21044N3		184 -62	MS21919DG22		138 -44
MS21044N3		141 -14	MS21044N3		185 -31	MS21919DG3		69 -37
MS21044N3		142 -14	MS21044N3		194 -25	MS21919DG3		70 -37
MS21044N3		144 -14	MS21044N3		198 - 9	MS21919DG3		146 -13
MS21044N3		144 -43	MS21044N4		92 -31	MS21919DG3		148 -11
MS21044N3		145 - 9	MS21044N4		93 -43	MS21919DG3		148 -14
MS21044N3		145 -59	MS21044N4		94 -51	MS21919DG3		171 - 3
MS21044N3		145A-15	MS21044N4		96 -38	MS21919DG3		171 -21
MS21044N3		145A-60	MS21044N4		96A-40	MS21919DG3		173 -33
MS21044N3		146 -12	MS21044N4		158 -13	MS21919DG34		125 -25
MS21044N3		146 -40	MS21044N4		158 -32	MS21919DG4		125 -42
MS21044N3		147 -39	MS21044N8		18 -35	MS21919DG4		127 - 7
MS21044N3		148 -26	MS21045-06		119B-21	MS21919DG4		128 -11
MS21044N3		148 -33	MS21045-08		119B-16	MS21919DG4		148 -14
MS21044N3		148 -40	MS21045L06		119C-19	MS21919DG4		154A-28
MS21044N3		148 -47	MS21045L06		148 -18	MS21919DG4		181 -96E
MS21044N3		148 -50	MS21045L08		30 -25	MS21919DG4		181 -98B
MS21044N3		149 -16	MS21045L08		83 -14	MS21919DG4		182 -95
MS21044N3		149 -19	MS21045L08		170 - 7	MS21919DG4		183 -66
MS21044N3		149 -31	MS21045L08		170 -10	MS21919DG60		126 -35A
MS21044N3		149 -34	MS21045L08		171 -52	MS21919DG5		185 -22
MS21044N3		149A- 4	MS21045L3		171 -56	MS21919DG5		199 -22
MS21044N3		149A- 8	MS21045L3		30 -18	MS21919DG6		125 -26
MS21044N3		149A-22	MS21045L3		61 - 4	MS21919DG6		128 -11
MS21044N3		149A-25	MS21045L3		61 -13	MS21919DG6		157 -51
MS21044N3		149A-36	MS21045L3		119C-14	MS21919DG6		170 - 3
MS21044N3		149A-38	MS21045L3		120 - 9	MS21919DG6		171 -58
MS21044N3		151 -44	MS21045L3		120 -17	MS21919DG7		126 -42
MS21044N3		152 - 6	MS21045L3		132 -11	MS21919DG7		126 -43
MS21044N3		153 - 6	MS21045L3		142 -27	MS21919DG7		128 -67
MS21044N3		154 -55	MS21045L3		147 -17	MS21919DG7		185 -22
MS21044N3		154A-31	MS21045L3		154A-33	MS21919DG7		202 -15
MS21044N3		154B- 4	MS21045L3		194 -11	MS21919DG8		169 -14
MS21044N3		155 -11	MS21045L3		194 -12	MS21919DG8		170 -10
MS21044N3		155 -17	MS21045L3		194 -13	MS21919DG8		170 -15
MS21044N3		155 -22	MS21045L3		199 - 9	MS21919DG8		170 -19
MS21044N3		156 -29	MS21045L4		63 -39	MS21919DG8		171 -51
MS21044N3		156 -34	MS21045L4		59 - 8	MS21919DG8		171 -52
MS21044N3		156A-13	MS21045L6		61 - 8	MS21919DG8		171 -67
MS21044N3		156A-18	MS21045L7		63 -52	MS21919DG8		171 -70
MS21044N3		157 - 4	MS21073L08K		59 -26	MS21919DG9		126 -43
MS21044N3		159 - 5	MS21073L08K		21 -11	MS21919DG9		185 -21
MS21044N3		159 -13	MS21073L08K		23 -11	MS21919D6-11		125 -41
MS21044N3		159 -18	MS21073L08K		50 -55	MS219219DG-8		169 -11A
MS21044N3		163 -20	MS21073L08K		51 -53	MS24462-4		25 -63
MS21044N3		163 -35	MS21073L3		123 -25B	MS24463-4		151 -60



# 182 & T182 Parts Catalog

PART NUMBER	FICHE AND FRAME	FIGURE AND INDEX NO.	PART NUMBER	FICHE AND FRAME	FIGURE AND INDEX NO.	PART NUMBER	FICHE AND FRAME	FIGURE AND INDEX NO.
MS24585-1020		75 -71	MS24665-134		94 -21	MS25231-1829		195B- 8
MS24585-1020		76 -52	MS24665-134		139 -18	MS25231-313		185 - 8
MS24585-1020		79 -72	MS24665-134		141 -19	MS25237-327		109 - 2
MS24585-1020		80 -40	MS24665-134		142 - 5	MS25237-327		109 - 3
MS24665-1		170 -79	MS24665-134		148 -44	MS25237-327		109 - 7
MS24665-1		170 -82	MS24665-134		151 -37	MS25237-327		109A- 2
MS24665-1		171 -95A	MS24665-134		158 -24	MS25237-327		109A- 6
MS24665-1		171 -98	MS24665-134		159 -26	MS25237-327		110 - 4
MS24665-132		20 -15	MS24665-134		163 - 3	MS25237-327		110 - 8
MS24665-132		58 - 5	MS24665-134		163 - 8	MS25237-327		110A- 2
MS24665-132		59 -10	MS24665-134		163 -49	MS25237-327		110A- 6
MS24665-132		59 -11	MS24665-134		165 - 5	MS25237-327		116 -16
MS24665-132		62 -52	MS24665-134		165 -10	MS25237-327		188 -10
MS24665-132		63 -66	MS24665-134		165 -25	MS25237-330		107 - 2
MS24665-132		75 -16	MS24665-134		169 -29	MS25237-330		107 - 3
MS24665-132		76 -69	MS24665-134		169 -30B	MS25237-330		107 - 4
MS24665-132		77 -18	MS24665-134		170 -36	MS25237-330		107 - 5
MS24665-132		78 -52	MS24665-134		170 -63	MS25237-330		107 -11
MS24665-132		79 -18	MS24665-134		171 -34	MS25237-330		107 -15
MS24665-132		80 -66	MS24665-134		171 -84	MS25237-330		107 -16
MS24665-132		81 -11	MS24665-135		125 -19	MS25237-330		107 -17
MS24665-132		82 -10	MS24665-136		58 -25	MS25237-330		107 -18
MS24665-132		82 -19	MS24665-136		59 -35	MS25237-330		107 -26
MS24665-132		91 -36	MS24665-136		157 -20	MS25237-330		108 - 2
MS24665-132		91 -39	MS24665-136		158 - 7	MS25237-330		108 - 3
MS24665-132		91 -47	MS24665-136		158 -29	MS25237-330		108 - 7
MS24665-132		92 -24D	MS24665-136		158 -37	MS25237-330		116 -16
MS24665-132		93 - 6	MS24665-136		158 -42	MS25237-330		188 -10
MS24665-132		93 -52	MS24665-136		158 -47	MS25309-7512		5 -25
MS24665-132		93 -65	MS24665-136		159 -18	MS25309-7512		6 -29
MS24665-132		93 -69	MS24665-136		164 -31	MS25338-7079		119 - 4
MS24665-132		93 -78	MS24665-136		165 -21	MS2665-132		92 -20
MS24665-132		94 - 6	MS24665-143		165 -31	MS28775-010		63 - 9
MS24665-132		94 -60	MS24665-144		159 -31	MS28775-027		67 - 3
MS24665-132		94 -73	MS24665-151		83 - 3	MS28775-027		68 - 4
MS24665-132		94 -77	MS24665-151		91 - 1	MS28775-027		68 -19
MS24665-132		94 -77D	MS24665-151		92 - 2	MS28775-110		150 -18
MS24665-132		94 -88	MS24665-151		93 - 1	MS28775-112		67 - 5
MS24665-132		95 -24	MS24665-151		94 - 1	MS28775-112		68 - 2
MS24665-132		125 -36	MS24665-151		114 - 5	MS28775-112		68 -17
MS24665-132		127 - 9	MS24665-151		140 -29	MS28775-221		63 - 7
MS24665-132		145A- 4	MS24665-229		92 -44	MS28775-225		63 -26
MS24665-132		145A-10	MS24665-24		151 -59	MS28775-228		63 -33
MS24665-132		146 -34	MS24665-24		158 - 5	MS28775-329		63 -32
MS24665-132		147 -33	MS24665-281		148 -43	MS28778-3		16 -23
MS24665-132		148 -37A	MS24665-283		163 -21	MS28778-3		70 -35
MS24665-132		148 -51	MS24665-285		149 - 5	MS28778-3		74 -36
MS24665-132		149 - 9	MS24665-285		149A-11	MS28778-3		148 - 4
MS24665-132		149 -10	MS24665-285		157 -27	MS28778-4		127 -29
MS24665-132		149 -12	MS24665-285		158 -37	MS28778-4		177 - 7
MS24665-132		149 -25	MS24665-285		158 -42	MS28778-4		148 - 4
MS24665-132		149 -27	MS24665-285		163 -22	MS28778-6		128 -27
MS24665-132		149 -28	MS24665-285		165 -25	MS28778-6		128 -28
MS24665-132		149A-16	MS24665-351		69 -29	MS28778-8		138 -31
MS24665-132		149A-18	MS24665-351		70 -29	MS28778-8		138 -34
MS24665-132		149A-31	MS24665-362		69 -53	MS28782-22		67 - 7
MS24665-132		149A-32	MS24665-362		70 -53	MS28782-22		68 -14
MS24665-132		155 -28	MS24665-71		151 -49	MS29512-07		138 -48
MS24665-132		155 -31	MS24995-136		59 -17	MS29512-08		169 -38B
MS24665-132		156 -40	MS25082-20		154A-13	MS29513-111		174 - 6
MS24665-132		158 - 7	MS25171-1S		119B- 3A	MS29513-138		174 - 7
MS24665-132		158 -20	MS25171-1S		119C- 3A	MS3114E8-2S		119A-13
MS24665-132		158 -29	MS25171-1S		198 -16	MS3367-6-3		119C-26
MS24665-132		164 -21	MS25171-3S		184 -21	MS3367-6-9		119B-27
MS24665-132		164 -41	MS25171-3S		198 -19	MS3506-1		184 -15
MS24665-132		164 -51	MS25171-3S		200 - 9	MS3506-1		198 - 7
MS24665-132		173 -12	MS25231-1819		101 -28	MS3506-1		199 - 7
MS24665-132		174 -12	MS25231-1819		101A-27	MS35333-36		82 - 5
MS24665-134		58 -13	MS25231-1819		102 -29	MS35333-37		18 -33
MS24665-134		62 -35	MS25231-1819		102A-27	MS35333-37		23 -34
MS24665-134		62 -48	MS25231-1829		195 - 4	MS35333-37		119B-24
MS24665-134		63 -62	MS25231-1829		195 - 8	MS35333-37		119C-23
MS24665-134		63 -80	MS25231-1829		195A- 4	MS35333-40		141 -24
MS24665-134		93 -13	MS25231-1829		195A- 8	MS35333-40		180C-21

# 182 & T182 Parts Catalog

PART NUMBER	FICHE AND FRAME	FIGURE AND INDEX NO.	PART NUMBER	FICHE AND FRAME	FIGURE AND INDEX NO.	PART NUMBER	FICHE AND FRAME	FIGURE AND INDEX NO.
MS35333-42		119B-13	NAS1054-8-10		41 - 2	NAS1593-011		172A-21
MS35335-33		138 -59	NAS1054-8-10		45 - 3A	NAS1593-012		102 -68
MS35335-34		136 -10	NAS1054-8-10		45 -11	NAS1593-012		102A-65
MS35335-34		139 -38	NAS1054-8-11		31 -41	NAS1593-012		172 -10
MS35335-35		136 - 7	NAS1054-8-11		32 -49	NAS1593-012		172A-10
MS35478-307		57 - 9	NAS1054-8-12		31 -42	NAS1593-015		17 - 2
MS35489-11		9 -83	NAS1054-8-12		45 - 7	NAS1593-024		172 - 3
MS35489-11		38 -12	NAS1054-8-13		31 -43	NAS1593-024		172A- 3
MS35489-11		136 -50	NAS1054-8-13		32 -48	NAS1593-111		173 - 6
MS35489-118		135 -79	NAS1054-8-14		32 -47	NAS1593-138		138 -55
MS35489-13S		181 -96A	NAS1054-8-6		45 - 3	NAS1593-138		173 - 7
MS35489-13S		182 -92B	NAS1054-8-8		45 - 6	NAS1593-141		63 -41
MS35489-134		190 -11	NAS1054-8-8		45 - 8	NAS1596-3		172 -12
MS35489-14		16 -18	NAS1054-8-9		45 -10	NAS1596-3		172A-12
MS35489-14S		182 -92A	NAS1067A-4		118A- 4	NAS1596-6		128 -27
MS35489-14S		183 -52	NAS1067A08		83 -15	NAS1596-6		128 -28
MS35489-15S		135 -55	NAS1067A08		135 -54	NAS1596-6		171 -16
MS35489-15S		135 -67A	NAS1067A3		30 -92A	NAS1596-8		170 -44
MS35489-16S		136 -39	NAS1067A3		136 -13A	NAS1596-8		170 -71
MS35489-17		112 - 6	NAS1067A3		142 -20	NAS1596-8		171 -90
MS35489-2S		181 -97A	NAS1067A3		142 -22	NAS17383B		184 -20
MS35489-2S		182 -92C	NAS1067N3		44 -69	NAS178-8-7		42 - 2
MS35489-20		169 -39A	NAS1068A04		105 -36	NAS178-8-7		43 - 2
MS35489-20		170 -46	NAS1068A06L		103 - 7	NAS178-8-8		42 - 1
MS35489-20		171 -27	NAS1068A06L		103 - 9	NAS178-8-8		43 - 1
MS35489-20S		135 -84	NAS1068A06L		105 - 6	NAS179-6		31 -40
MS35489-22		136 -44	NAS1068A06L		105 - 9	NAS179-6		32 -51
MS35489-22S		136 -50	NAS1068A08		160 - 7	NAS179-8		31 -44
MS35489-35S		154A-34	NAS1068A08		161 - 7	NAS179-8		32 -52
MS35489-38S		9 -55	NAS1068A3		113 - 5	NAS179-8		40 - 2
MS35489-4		100 - 7	NAS1068A4		44 -33	NAS179-8		41 - 2
MS35489-4		101 - 7	NAS1068A4		44 -53	NAS179-8		45 - 3
MS35489-4		101A- 7	NAS1080C08		32 -52	NAS179-8		45 - 3A
MS35489-4		102 - 7	NAS1080C08		45 - 3	NAS179-8		45 - 6
MS35489-4		102A- 7	NAS1080C08		45 - 8	NAS179-8		45 - 7
MS35489-4		103 -21	NAS1080C08		45 - 9	NAS179-8		45 - 8
MS35489-4		103 -25	NAS1080C08		45 -10	NAS179-8		45 - 9
MS35489-4		103 -45	NAS1329-A08-K75		185 -21	NAS179-8		45 -10
MS35489-4		109A- 8	NAS1329A06K120		5 -24	NAS179-8		45 -11
MS35489-4		110A- 8	NAS1329A06K120		5 -33	NAS179-8		45 -12
MS35489-4		169 - 4	NAS1329A06K120		6 -28	NAS220-11		93 -86
MS35489-4S		160 -32	NAS1329A06K120		6 -37	NAS220-11		94 -94
MS35489-4S		161 -32	NAS1329A06K75		50 -63	NAS220-11		151 -41
MS35489-49		169 -18	NAS1329A06K75		51 -71	NAS220-14		151 -39
MS35489-49		170 -22	NAS1329A08K		78 -41	NAS220-16		75 -36
MS35489-49		171 -63	NAS1329A08K-75		80 -49	NAS220-16		76 -17
MS35489-6		55 -13	NAS1329S3K130		69 -42	NAS220-16		77 -33
MS35489-6		116 - 6	NAS1329S3K130		70 -42	NAS220-16		79 -37
MS35489-6		127 -22	NAS1329S3K130		70 -42	NAS220-16		80 -16
MS35489-6		188 -21	NAS1329S3K80		69 -41	NAS220-24		151 -52
MS35489-6S		28 -78	NAS1329S3K80		70 -41	NAS220-5		50 -46
MS35489-7S		135 -98	NAS1329S3K80		75 -42A	NAS220-5		51 -66
MS35489-9S		52 - 3	NAS1329S3K80		76 -63	NAS220-5		75 - 7
MS35489-9S		53 - 2	NAS1329S3K80		77 -51A	NAS220-5		75 -20
MS35489-9S		54 - 2	NAS1329S3K80		78 -45	NAS220-5		75 -76
MS35649-2312		138 -18	NAS1329S3K80		79 -54	NAS220-5		76 -12
MS35649-265		119B-26	NAS1352-02-08		154A- 5	NAS220-5		76 -56
MS35649-265		119C-24	NAS1352-02-8		154 - 6	NAS220-5		76 -75
MS35769-11		126 -58A	NAS1352-02-8		154B-11	NAS220-5		77 - 7
MS51957-30		119B-19	NAS1352-06-6		188 -18	NAS220-5		77 -20
MS51957-45		119B-14	NAS144-20		28 -14	NAS220-5		77 -53
MS9021-038		129 -18	NAS1448-06		45 - 3	NAS220-5		78 - 9
MS9025-02		173 -21	NAS1448-06		45 - 9	NAS220-5		78 -34
MS9068-136		145A-59	NAS1448-08		45 - 8	NAS220-5		78 -58
MS9069-136		145 -58	NAS1448-09		45 -10	NAS220-5		79 - 7
M34-14		60 -11	NAS1448-11		32 -49	NAS220-5		79 -11
M451		33 - 6	NAS1448-13		32 -48	NAS220-5		79 -21
NAS1022A08		88 -34	NAS1448-14		32 -47	NAS220-5		79 -23
NAS1022A08		89 -41	NAS1593-010		173 -17	NAS220-5		80 - 9
NAS105-8-6		45 - 9	NAS1593-010		174 -16	NAS220-5		80 -54
NAS1054-6-4		32 -50	NAS1593-011		17 - 2	NAS220-5		80 -72
NAS1054-6-5		31 -39	NAS1593-011		172 - 7	NAS220-5		155 - 3
NAS1054-6-5		32 -50	NAS1593-011		172A- 7	NAS220-5		156 - 3
NAS1054-8-10		40 - 2	NAS1593-011		172A-15	NAS220-5		156A- 3

# 182 & T182 Parts Catalog

PART NUMBER	FICHE AND FRAME	FIGURE AND INDEX NO.	PART NUMBER	FICHE AND FRAME	FIGURE AND INDEX NO.	PART NUMBER	FICHE AND FRAME	FIGURE AND INDEX NO.
NAS220-6		21 -38	NAS395-11-3		134 - 9	NAS428H3-6		165 -32
NAS220-6		28 -10	NAS395-11-3		171 -51	NAS43DD0-6		154B- 6
NAS220-6		28 -41	NAS395-12-13		133 - 9	NAS43DD0-8A		153 -13
NAS220-6		28 -41	NAS395-12-3		111 - 9	NAS43DD0-8A		153 -29
NAS220-6		29 -23	NAS395-12-3		132 - 6	NAS43DD0-8A		154 -39
NAS220-6		29 -23	NAS395-12-3		185 -29	NAS43DD12-64		98 -64
NAS220-6		29 -45	NAS395-13-3		19 -28	NAS43DD12-64		99 -66
NAS220-6		30 -25	NAS395-13-3		28 - 7	NAS43DD12-64		100 -60
NAS220-6		78 -14	NAS395-14-3		5 -20	NAS43DD12-64		101 -61
NAS220-6		151 -17	NAS395-14-3		6 -24	NAS43DD12-64		101A-61
NAS220-8		23 -32	NAS395-14-3		7 -27	NAS43DD12-64		102 -65
NAS221-1		153 - 5	NAS395-14-3		9 -36	NAS43DD12-64		102A-62
NAS221-11		152 - 5	NAS395-14-3		9 -36	NAS43DD3-12		81 - 9
NAS221-12		103 -40	NAS395-14-3		24 -46	NAS43DD3-13		181 -16
NAS221-12		103 -40	NAS395-14-3		28 -25A	NAS43DD3-13		182 -16
NAS221-12		104 -42	NAS395-14-3		28 -54	NAS43DD3-13		183 -14
NAS221-12		105 -44	NAS395-14-3		29 -48	NAS43DD3-13		154 -53
NAS221-12		105A-45	NAS395-14-3		44 -21	NAS43DD3-16		112 -67
NAS221-12		106 -42	NAS395-14-3		50 -56	NAS43DD3-16		154 -26
NAS221-12		106A-44	NAS395-14-3		51 -59	NAS43DD3-16		154B- 8
NAS221-13		30 -18	NAS395-14-3		57 - 3	NAS43DD3-18		93 -76A
NAS221-13		30 -40	NAS395-14-3		145 -23	NAS43DD3-18		94 -86
NAS221-13		58 - 8	NAS395-14-3		145 -25	NAS43DD3-18		185 -22
NAS221-13		105 -43	NAS395-16-3		6 -22	NAS43DD3-23		173 -33
NAS221-13		105A-44	NAS395-16-3		7 - 4B	NAS43DD3-28		146 -13
NAS221-13		106 -41	NAS395-16-3		69 -45	NAS43DD3-28		148 -28
NAS221-13		106A-43	NAS395-16-3		70 -46	NAS43DD3-30		185 -21
NAS221-13		145A-66	NAS395-16-3		166 -18	NAS43DD3-32		112 -46
NAS221-15		42 -19	NAS395-18-3		84 -34	NAS43DD3-34		126 -43
NAS221-15		75 -11	NAS395-18-3		85 -28	NAS43DD3-45		181 -17
NAS221-15		76 -80	NAS395-18-3		118 -26	NAS43DD3-45		182 -17
NAS221-15		77 -11	NAS395-2-3		89 -60	NAS43DD3-45		183 -15
NAS221-15		78 -63	NAS395-3-3		89B- 4	NAS43DD3-48		105A-40
NAS221-15		80 -77	NAS396-4-3		188 -16	NAS43DD3-48		106A-39
NAS221-3		24 -36A	NAS397-10		52 -14	NAS43DD3-48		147 -20A
NAS221-5		42 -21	NAS397-10		169 -17	NAS43DD3-6		181 -24
NAS221-6		28 -63	NAS397-12		169 -15	NAS43DD3-6		182 -24
NAS221-6		29 -14	NAS397-14		16 -11	NAS43DD3-6		183 -22
NAS221-6		103 -42	NAS397-14		169 - 2	NAS43DD3-61		185 -21
NAS221-6		104 -43	NAS397-18-1		126 -13	NAS43DD3-64		98 -44
NAS221-6		105A-47	NAS397-22		10 - 9	NAS43DD3-64		99 -46
NAS221-6		106 -43	NAS397-22		11 -10	NAS43DD3-64		100 -42
NAS221-6		106A-46	NAS397-22		61 -15	NAS43DD3-64		101 -44
NAS221-7		50 - 4	NAS397-22		128 - 8	NAS43DD3-64		101A-43
NAS221-7		50 -11	NAS397-32		147 -42	NAS43DD3-64		102 -46
NAS221-7		51 -11	NAS397-8		128 -37	NAS43DD3-64		102A-44
NAS221-8		7 -28	NAS397-8		128 -39	NAS43DD3-64		127 -16
NAS221-8		9 -55	NAS397-8		128 -41	NAS43DD3-72		147 -20A
NAS221-8		18 -31	NAS397-8		178 -18	NAS43DD3-8		112 -58
NAS221-8		120 - 4	NAS397-8		178 -24	NAS43DD3-8		184 -23
NAS221-8		121A- 8	NAS397-8		178 -52	NAS43DD3-8		198 -11
NAS221-8		122 -17	NAS397-8		179 -15	NAS43DD3-9		181 -28
NAS221-9		43 -22	NAS398-42		146 -21	NAS43DD4-16		156 -17
NAS221-9		69 -11	NAS398-50		125 -43	NAS43DD4-18		155 -12
NAS221-9		70 -11	NAS398-50		126 -44	NAS43DD4-18		156 -19
NAS221-9		152 - 3	NAS398-50		144 -39	NAS43DD4-32A		92 -29
NAS221-9		153 - 3	NAS398-50		146 -16	NAS43DD6-25		128 -42
NAS222-14		151 -58	NAS398-50		146 -18	NAS43DD6-56		136 - 8
NAS222-16		151 -29	NAS42DD10-22		119B-10	NAS43HT3		80 -78
NAS222-9		118 - 3	NAS42HT6-19		103 -40	NAS43HT3-12		149 -26
NAS388-10-7P		75 - 6	NAS42HT6-19		103 -40	NAS43HT3-12		149A-30
NAS388-10-7P		76 - 6	NAS42HT6-19		104 -42	NAS43HT3-13		140 -23
NAS388-10-7P		77 - 6	NAS42HT6-19		105 -44	NAS43HT3-16		169 -11A
NAS388-10-7P		78 - 6	NAS42HT6-19		105A-45	NAS43HT3-16		170 -10
NAS388-10-7P		79 - 6	NAS42HT6-19		106 -42	NAS43HT3-16		171 -52
NAS388-10-7P		80 - 6	NAS42HT6-19		106A-44	NAS43HT3-256		126 -49
NAS388-10-7P		88 - 6	NAS42HT6-23		103 -40A	NAS43HT3-34		75 -67
NAS395-1-3		89 -10	NAS42HT6-23		104 -41	NAS43HT3-34		79 -68
NAS395-1-3		186 -20	NAS42HT6-23		105 -43	NAS43HT3-34		80 -36
NAS395-1-3		187 -13	NAS42HT6-23		105A-44	NAS43HT3-45		75 -12
NAS395-1-3		187 -23	NAS42HT6-23		106 -41	NAS43HT3-45		76 -81
NAS395-1-3		187 -29	NAS42HT6-23		106A-43	NAS43HT3-45		77 -12
NAS395-1-3		187 -35	NAS42HT6-8		149 -28	NAS43HT3-45		78 -64
NAS395-10-3		24 -54	NAS428-4-11		30 -74	NAS43HT3-45		79 -12

# 182 & T182 Parts Catalog

PART NUMBER	FICHE AND FRAME	FIGURE AND INDEX NO.	PART NUMBER	FICHE AND FRAME	FIGURE AND INDEX NO.	PART NUMBER	FICHE AND FRAME	FIGURE AND INDEX NO.
NAS43HT3-49		141 -27	NAS446-4-3		126 -43	NAS525-10R8		89A- 5
NAS43HT3-6		139 -32	NAS446-4-3		135 -73	NAS543-3-34		75 -64
NAS43HT3-9		125 -31	NAS446-4-3		135 -82	NAS543-3-34		76 -48
NAS43HT4-12		95 -43	NAS446-4-3		144 - 3	NAS543-3-34		79 -65
NAS43HT4-12		96 -55	NAS446-4-3		145 -39	NAS549-6L		111A- 3
NAS43HT4-12		96A-58	NAS446-4-3		148 -11	NAS557-10A		39 -21
NAS43HT4-12		117 -19	NAS446-4-3		148 -14	NAS557-16		127 -21
NAS43HT4-12		149A-33	NAS446-4-3		170 - 3	NAS557-3A		111 -14
NAS43HT4-16		157 -47	NAS446-4-3		171 -58	NAS557-4		10 - 4A
NAS43HT4-16		158 -27	NAS446-4-3		173 -33	NAS557-4		11 - 5A
NAS43HT4-16		163 -27	NAS446-4-3		185 -22	NAS557-4A		38 - 7
NAS43HT4-22		117 - 7	NAS446-5		128 -10	NAS557-4A		38 -21
NAS43HT4-24		117 - 6	NAS446-5		128 -11	NAS557-4A		39 -10
NAS43HT4-32		95 -42	NAS446-5-3		126 -35D	NAS557-6A		38 - 3
NAS43HT4-55		165 -15	NAS455-163C4-8		18 -19	NAS557-6A		39 - 5
NAS43HT4-64		96 -17	NAS463-416		136 -20	NAS557-8A		38 -15
NAS43HT4-64		96A-17	NAS463W-416		136 -27	NAS557-8A		39 -24
NAS43HT4-80		95 -47	NAS463W-416		136 -33	NAS561-1-16		93 -89
NAS43HT4-96		194 -12	NAS463W-416		136 -37	NAS561-2-12		91 -42
NAS43HT6-20		96 -18	NAS463W416		136 -23	NAS561-3-16		82 -14
NAS43HT6-20		96A-18	NAS463W416		136 -76	NAS561-3-16		94 -78
NAS43HT6-58		95 -46	NAS464-3-22		62 -49	NAS561-3-6		82 -20
NAS444-14-3		10 -14	NAS464P3-13		154 -52	NAS561-3-8		91 -44
NAS444-14-3		11 -15	NAS464P3-22		63 -63	NAS561-3-8		155 - 9
NAS444-4-3		14 -23	NAS464P3-9		159 -23	NAS561-3-8		155 -27
NAS444-4-3		15 -13	NAS464P3A3		63 -15	NAS561-3-8		156 -11
NAS444-4-3		15 -17	NAS464P3A5		63 -15A	NAS561-3-8		156 -39
NAS446-1-3		84 -28	NAS464P4A10		117 - 5	NAS561-3-8		156A-23
NAS446-1-3		102A-84	NAS464P4A8		117 - 3	NAS561-3-8		156A-28
NAS446-1-3		157 -51	NAS464P4A8		117 -10	NAS561-4-6		60 -12
NAS446-1-3		169 -33	NAS464P5LA30		69 -16	NAS561-5-12		148 -35
NAS446-1-3		170 -39	NAS464P5LA30		70 -16	NAS561-6-32		151 -63
NAS446-1-3		170 -67	NAS464P5LA33		70 -16A	NAS561C2-8		146 - 8
NAS446-1-3		170 -86	NAS464P6LA24		59 - 2	NAS561C2-8		147 -10
NAS446-1-3		171 -38	NAS464P6LA32		60 - 2	NAS561C3-10		91 -49
NAS446-1-3		171 -87	NAS464P7-36		59 -24	NAS561C3-10		95 -13
NAS446-2-1		98 - 6	NAS487-21		98 -52	NAS561C3-10		95 -15
NAS446-2-1		98 -28	NAS487-21		98 -53	NAS561P3-7		92 -40
NAS446-2-1		99 - 7	NAS487-21		99 -55	NAS561P3-8		75 -66
NAS446-2-1		99 -28	NAS487-21		99 -56	NAS561P3-8		79 -67
NAS446-2-1		100 - 8	NAS487-21		100 -50	NAS561P4-10		94 -37
NAS446-2-1		101 - 8	NAS487-21		100 -51	NAS561P4-10		94 -62
NAS446-2-1		101A-23	NAS487-21		101 -54	NAS561P4-12		93 -22
NAS446-2-1		102 -10	NAS487-21		101 -55	NAS561P4-12		93 -29
NAS446-2-3		84 - 3A	NAS487-21		101A-42	NAS561P4-12		93 -34
NAS446-2-3		85 - 4	NAS487-21		101A-54	NAS561P4-12		93 -54
NAS446-2-3		89A-11	NAS487-21		102 -45	NAS561P4-12		93 -56
NAS446-2-3		111 -12	NAS487-21		102 -54	NAS561P4-12		94 -30
NAS446-2-3		111 -14	NAS487-21		102A-43	NAS561P4-12		94 -37
NAS446-2-3		188 -26	NAS487-21		102A-52	NAS561P4-12		94 -42
NAS446-2-3		190 - 5	NAS488-1-3		196 - 4	NAS561P4-12		94 -62
NAS446-2-3		190 - 9	NAS488-1-3		197 -16	NAS561P4-12		94 -64
NAS446-4		96 -49	NAS488-10		146 -19	NAS561P4-15		93 -37
NAS446-4		96A-51	NAS488-5-3		57 - 5	NAS561P4-15		94 -45
NAS446-4		182 -91	NAS488-5-3		186 -17	NAS561P4-16		81 -19
NAS446-4		182 -92	NAS488-5-3		187 -10	NAS561P4-18		67 -13
NAS446-4		182 -97	NAS488-5-3		187 -32	NAS561P4-18		68 -12
NAS446-4		183 -27	NAS488-5-3		187 -38	NAS561P4-6		61 - 9
NAS446-4		183 -31	NAS488-5-8		187 -20	NAS561P4-8		93 -66
NAS446-4		183 -51	NAS514-1032-14		75 -64	NAS561P4-8		94 -74
NAS446-4		188 -23	NAS514-1032-14		75 -67	NAS561P4-8		160 -13
NAS446-4-1		76 -62	NAS514-1032-14		76 -48	NAS561P4-8		161 -13
NAS446-4-1		78 -44	NAS514-1032-14		79 -65	NAS561P6-12		93 -26
NAS446-4-1		80 -59	NAS514-1032-14		79 -68	NAS561P6-12		94 -34
NAS446-4-1		146 -27	NAS514-632R10		151 -21	NAS561P6-18		93 -49
NAS446-4-1		147 -41	NAS514P1032-10		103 -41	NAS561P6-18		94 -57
NAS446-4-3		10 - 8	NAS514P1032-10		104 -44	NAS561P6-22		93 -47
NAS446-4-3		11 - 9	NAS514P1032-10		105 -46	NAS561P6-22		94 -55
NAS446-4-3		69 -47	NAS514P1032-10		105A-48	NAS561P6-28		93 -42
NAS446-4-3		89A- 7	NAS514P1032-10		106 -44	NAS561P6-28		94 -50
NAS446-4-3		125 - 7	NAS514P1032-10		106A-47	NAS561P8-18		93 -45
NAS446-4-3		125 -42	NAS514P1032-14		80 -36	NAS561P8-18		94 -53
NAS446-4-3		125 -43	NAS514P440-6		161 -15	NAS563-11		67 -15
NAS446-4-3		126 -43	NAS516-1		63 -68	NAS563-11		68 - 8

# 182 & T182 Parts Catalog

PART NUMBER	FICHE AND FRAME	FIGURE AND INDEX NO.	PART NUMBER	FICHE AND FRAME	FIGURE AND INDEX NO.	PART NUMBER	FICHE AND FRAME	FIGURE AND INDEX NO.
NAS563-21		125 -26	NAS680A08		189 -12	NAS680A3		180B-32
NAS601-5		103 -24	NAS680A08K		44 -60	NAS680A3		199 -19
NAS601-5		104 -22	NAS680A08K		44 -62	NAS680A3K		9 - 6
NAS601-5		105 -23	NAS680A08K		50 -54	NAS680A3K		37 -35
NAS601-5		105A-23	NAS680A3		9 -11	NAS680A3K		69 -63
NAS601-5		106 -23	NAS680A3		19 -20	NAS680A3K		160 -36
NAS601-5		106A-22	NAS680A3		21 -11	NAS680A3K		160 -41
NAS603-6		121A-16	NAS680A3		25 -29	NAS680A3K		161 -36
NAS603-6		122 -15	NAS680A3		28 -47	NAS680A3K		161 -41
NAS62D-8		88 -34	NAS680A3		29 -39	NAS680A3K		161A-11
NAS620-10		197 -11	NAS680A3		30 -62	NAS680A3K		161A-15
NAS620-10L		138 -54	NAS680A3		30 -63	NAS680A3K		199 -13
NAS620-10L		197 -11	NAS680A3		30 -91	NAS680A4		40 -40
NAS620-8		89 -41	NAS680A3		31 -21	NAS680A4		40 -42
NAS620A416L		116 -19	NAS680A3		31 -23	NAS680A4		41 -42
NAS6203-10D		59 -10	NAS680A3		31 -31	NAS680A4		42 -23
NAS679-A06		188 -20	NAS680A3		32 -25	NAS680A4		43 -28
NAS679A04		84 -26	NAS680A3		32 -40	NAS680A4		44 -31
NAS679A04		195 - 7	NAS680A3		36 -33	NAS680A4		52 - 2
NAS679A04		195A- 7	NAS680A3		36 -38	NAS680A4		53 - 2A
NAS679A06		98 -54	NAS680A3		37 - 6	NAS680A4		53 - 6
NAS679A06		184 -35	NAS680A3		37 -23	NAS680A4		54 - 3
NAS679A08		34A- 2	NAS680A3		37 -36	NAS680A4		54 - 7
NAS679A08		93 -74	NAS680A3		40 -35E	NAS680A4		55 - 3
NAS679A08		95 -21	NAS680A3		41 -36	NAS680A4K		36 -32
NAS679A08		105A-39	NAS680A3		41 -40	NAS681A08		30 -51
NAS679A08		166 -39	NAS680A3		42 -11	NAS681A08		30 -99A
NAS679A08		169 -11A	NAS680A3		50 - 4	NAS681A08		30 -99A
NAS679A08		188 -23	NAS680A3		51 - 4	NAS681A08		135 -67B
NAS679A08K		97 -19	NAS680A3		51 -44	NAS681A08		135 -77
NAS679A3		75 - 4	NAS680A3		51 -44	NAS681A3		30 -93
NAS679A3		121A-14	NAS680A3		51 -57	NAS682A06		161A- 6
NAS679A5		191 - 7	NAS680A3		51 -81	NAS682A06K		111A- 6
NAS680-A3		136 -19	NAS680A3		51 -84	NAS682A08		28 -10
NAS680-A3		136 -34	NAS680A3		51 -85	NAS682A08		29 -30
NAS680A06		21 -11	NAS680A3		51 -86	NAS682A08		43 -29
NAS680A06		22 -14	NAS680A3		51 -87	NAS682A08		75 -46
NAS680A06		119 - 6	NAS680A3		55 - 4	NAS682A08		76 -60
NAS680A06K		69 -43	NAS680A3		56 -12	NAS682A08		76 -61
NAS680A06K		70 -44	NAS680A3		69 -55	NAS682A08		77 -26
NAS680A08		13 -17	NAS680A3		70 -70	NAS682A08		78 -42
NAS680A08		28 -44	NAS680A3		105A-27	NAS682A08		78 -43
NAS680A08		29 -28	NAS680A3		106A-26	NAS682A08		79 -29
NAS680A08		29 -34	NAS680A3		112 -56	NAS682A08		80 -57
NAS680A08		29 -43	NAS680A3		112 -70	NAS682A08		80 -58
NAS680A08		29 -53	NAS680A3		119B-33	NAS682A08		135 -27
NAS680A08		30 -45	NAS680A3		119C-31	NAS682A08		135 -60
NAS680A08		32 -28	NAS680A3		120 -18	NAS682A3		28 -47
NAS680A08		36 - 4A	NAS680A3		128 -63	NAS682A3		29 -39
NAS680A08		36 -18	NAS680A3		135 - 8	NAS682A3		29 -39
NAS680A08		37 - 5	NAS680A3		135 -11	NAS682A3		30 -61
NAS680A08		37 -34	NAS680A3		135 -15	NAS682A3		30 -91A
NAS680A08		41 -14	NAS680A3		135 -43	NAS682A3		36 -18
NAS680A08		49 -11	NAS680A3		135 -58	NAS682A3		40 -35
NAS680A08		49 -12	NAS680A3		136 -10	NAS682A3		40 -35B
NAS680A08		70 -54	NAS680A3		136 -10	NAS682A3		41 -33
NAS680A08		83 -20	NAS680A3		136 -13A	NAS682A3		50 -17
NAS680A08		103 -18	NAS680A3		136 -14	NAS682A3		51 -44
NAS680A08		104 -17	NAS680A3		136 -16	NAS682A3		51 -44
NAS680A08		105 -18	NAS680A3		136 -43	NAS682A3		81 -15
NAS680A08		105A-17	NAS680A3		136 -51	NAS682A3		103 -33
NAS680A08		105A-26	NAS680A3		136 -57	NAS682A3		104 -31
NAS680A08		106 -18	NAS680A3		136 -65	NAS682A3		105 -11
NAS680A08		106A-19	NAS680A3		136 -75	NAS682A3		105 -32
NAS680A08		106A-25	NAS680A3		137 - 7	NAS682A3		105A-10
NAS680A08		119B-35	NAS680A3		139 - 6	NAS682A3		105A-36
NAS680A08		119C-33	NAS680A3		143 - 4	NAS682A3		106 -32
NAS680A08		135 -27	NAS680A3		145A-25	NAS682A3		106A-11
NAS680A08		135 -45	NAS680A3		160 - 5	NAS682A3		106A-36
NAS680A08		135 -53	NAS680A3		161 - 5	NAS682A3		135 -11
NAS680A08		135 -60	NAS680A3		178 -72	NAS682A3		135 -43
NAS680A08		135 -62	NAS680A3		179 -30	NAS682A3		135 -46
NAS680A08		135 -67	NAS680A3		180 -32	NAS682A3		135 -62A
NAS680A08		136 -64	NAS680A3		180A-36	NAS682A3		136 -30

# 182 & T182 Parts Catalog

PART NUMBER	FICHE AND FRAME	FIGURE AND INDEX NO.	PART NUMBER	FICHE AND FRAME	FIGURE AND INDEX NO.	PART NUMBER	FICHE AND FRAME	FIGURE AND INDEX NO.
NAS682A3		136 -38	NAS696A06L		33 -18F	NAS697A06L		105A-19
NAS682A3		139 - 5	NAS696A06L		34A-18C	NAS697A06L		106 -20
NAS682A3		145A-47	NAS696A06L		105 -12	NAS697A06L		106A-12
NAS682A3K		160 -37	NAS696A06L		105 -16	NAS697A06L		106A-18
NAS682A3K		160 -42	NAS696A06L		105A-12	NAS697A06L		183 -74
NAS682A3K		161 -37	NAS696A06L		105A-13	NAS697A08		7 -11
NAS682A3K		161 -42	NAS696A06L		106 -16	NAS697A08		8 - 7
NAS682A3K		161A-12	NAS696A06L		106A-12	NAS697A08		28 -36
NAS682A3K		161A-16	NAS696A06L		106A-13	NAS697A08		28 -80
NAS683A08		28 -65	NAS696A06LK		33 -15	NAS697A08		29 -40
NAS683A08		30 -99	NAS696A06LK		34 -13	NAS697A08		33 - 2
NAS683A08		135 -70	NAS696A06LK		34A-10	NAS697A08		34 - 2
NAS683A08		135 -77	NAS696A06LK		146 -32	NAS697A08		40 -15
NAS683A08		135 -85	NAS696A08		10 -31	NAS697A08		40 -24
NAS683A3		30 -92A	NAS696A08		11 -32	NAS697A08		40 -26
NAS683A3		37 - 7	NAS696A08		28 -79	NAS697A08		40 -39
NAS683A3		43 - 7	NAS696A08		29 -16	NAS697A08		40 -63
NAS683A3		136 -44	NAS696A08		40 -26	NAS697A08		41 -22
NAS683A3		136 -50	NAS696A08		40 -63	NAS697A08		41 -24
NAS683A3K		37 -24	NAS696A08		41 -24	NAS697A08		41 -66
NAS684A08		76 -62	NAS696A08		41 -66	NAS697A08		43 -13
NAS684A08		78 -44	NAS696A08		75 -45	NAS697A08		50 -43
NAS684A08		80 -59	NAS696A08		77 -25	NAS697A08		51 -17
NAS684A08		105A-28	NAS696A08		77 -28	NAS697A08		51 -63
NAS684A08		106A-27	NAS696A08		79 -28	NAS697A08		56 - 2
NAS684A08		135 -22	NAS696A08		79 -31	NAS697A08		56 -40
NAS684A08		136 -70	NAS696A08		83 -27	NAS697A08		75 - 7
NAS684A08		151 -33	NAS696A08		103 -43	NAS697A08		75 -20
NAS684A08K		40 - 7	NAS696A08		104 -45	NAS697A08		75 -30
NAS684A08K		41 -23	NAS696A08		105 -47	NAS697A08		76 -34
NAS684A3		37 -33	NAS696A08		105A-49	NAS697A08		76 -36
NAS684A3		103 - 6	NAS696A08		106 -47	NAS697A08		76 -36
NAS684A3		105 - 7	NAS696A08		106A-48	NAS697A08		77 - 7
NAS684A3		105 -48B	NAS696A08		135 -36	NAS697A08		77 -20
NAS684A3		105A- 6	NAS696A08		145 -25	NAS697A08		77 -27
NAS684A3		105A-52	NAS696A08		151 -15	NAS697A08		77 -35
NAS684A3		106 - 7	NAS696A08		181 -11	NAS697A08		78 -28
NAS684A3		106 -49	NAS696A08		182 -11	NAS697A08		78 -30
NAS684A3		106A- 6	NAS696A08		183 - 8	NAS697A08		78 -30
NAS684A3		106A-51	NAS696A08K		21 -10	NAS697A08		79 - 7
NAS684A3		119B-34	NAS696A08K		22 -11	NAS697A08		79 -21
NAS684A3		119C-32	NAS696A08K		23 -11	NAS697A08		79 -23
NAS684A3		135 -11	NAS696A08K		36 -32	NAS697A08		79 -30
NAS684A3		135 -58	NAS696A08K		50 -55	NAS697A08		79 -39
NAS686A08		7 -24	NAS696A08K		51 -54	NAS697A08		80 -30
NAS686A08		8 -22	NAS696A08K		70 -48	NAS697A08		80 -32
NAS686A08		50 -53	NAS696A08K		70 -48	NAS697A08		80 -32
NAS686A08		51 -52	NAS696A08K		79 -49	NAS697A08		98 -20A
NAS686A08		97 -22	NAS696A08K		80 -52	NAS697A08		103 -15
NAS686A08K		22 -21	NAS696A08K		24 -35	NAS697A08		103 -19
NAS686A08K		22 -35	NAS696A3		30 -34	NAS697A08		103 -27
NAS686A3		30 -32	NAS696A3		30 -92A	NAS697A08		103 -29
NAS686A3		30 -92	NAS696A3		56 - 4	NAS697A08		103 -35
NAS686A3		31 -11	NAS696A3		112 -57	NAS697A08		103 -44
NAS686A3		32 -11	NAS696A3		112 -71	NAS697A08		104 -14
NAS686A3		35 - 4	NAS696A3		118 -13	NAS697A08		104 -18
NAS686A3		35 - 6	NAS696A3		123 -25	NAS697A08		104 -25
NAS686A3		42 -15	NAS696A3		123 -25B	NAS697A08		104 -27
NAS686A3		43 -12	NAS696A3		125 -23D	NAS697A08		104 -33
NAS686A3		43 -19	NAS696A3		136 -29	NAS697A08		104 -46
NAS686A3		69 -62	NAS696A3		136 -50	NAS697A08		105 -15
NAS686A3		70 -71	NAS696A3K		40 -49	NAS697A08		105 -19
NAS686A3		123 -62	NAS696A3K		41 -49	NAS697A08		105 -26
NAS686A3		124 - 7	NAS696A4		44 -83	NAS697A08		105 -28
NAS686A3		128 -20	NAS696A4		44 -88	NAS697A08		105 -34
NAS686A3		135 -88	NAS697A06L		36 -30	NAS697A08		105 -48
NAS686A3		135 -91	NAS697A06L		37 -22	NAS697A08		105A-18
NAS686A3K		184 -37	NAS697A06L		103 -20	NAS697A08		105A-30
NAS686A3K		185 -52	NAS697A06L		104 - 6	NAS697A08		105A-50
NAS686A4		54 -11	NAS697A06L		104 - 8	NAS697A08		106 -15
NAS686A4		55 - 9	NAS697A06L		104 -19	NAS697A08		106 -19
NAS687A04		105 -37	NAS697A06L		105 -12	NAS697A08		106 -26
NAS687A3		44 -66	NAS697A06L		105 -20	NAS697A08		106 -28
NAS692A3		136 -38	NAS697A06L		105A-12	NAS697A08		106 -34

# 182 & T182 Parts Catalog

PART NUMBER.	FICHE AND FRAME	FIGURE AND INDEX NO.	PART NUMBER	FICHE AND FRAME	FIGURE AND INDEX NO.	PART NUMBER	FICHE AND FRAME	FIGURE AND INDEX NO.
NAS697A08		106 -46	NAS698A08		51 -64	S1004-1A		34A-12
NAS697A08		106A-17	NAS698A08		81 -23	S1004-1A		156 -23
NAS697A08		106A-29	NAS698A08K		22 -13	S1004-44A		160 - 3
NAS697A08		106A-38	NAS698A08K		51 -55	S1004-44A		161 - 3
NAS697A08		106A-49	NAS698A3		44 - 9	S102A4-8		96 -33
NAS697A08		123 -59	NAS698A3		81 -14	S102A4-8		96A-35
NAS697A08		123 -66	NAS698A3		123 -25B	S1020Z8-8		170 -15
NAS697A08		151 -15	NAS698A3		155 -23	S1021-8-6		155 -30
NAS697A08		181 - 7	NAS698A3		156 -35	S1021-8-6		156 -42
NAS697A08		181 -11	NAS698A3		156A-19	S1021A-6		96 -28
NAS697A08		182 - 7	NAS70-177-500		164 -50	S1021A-6		96A-30
NAS697A08		182 -11	NAS74A3-002P		30 -97A	S1021A4-16		84 -23
NAS697A08		183 - 4	NAS75-3-016		164 - 5	S1021A4-6		40 - 5
NAS697A08		183 - 8	NAS75-3-08		68 -10	S1021A4-6		40 - 6
NAS697A08		183 -74	NAS75-4-010		58 - 5	S1021A4-6		41 - 5
NAS697A08		197 - 6	NAS75-5-004		63 -16	S1021A4-6		41 - 6
NAS697A08K		21 -10	NAS75-5-008		63 -16A	S1021A4-6		77 -51
NAS697A08K		22 -10	NAS75-5-231		63 - 3A	S1021A4-6		78 -38
NAS697A08K		23 - 9B	NAS75A3-002P		30 -84	S1021A4-6		85 -17
NAS697A08K		23 -11	NAS76A3-02B		156A-11	S1021A4-6		91 -14
NAS697A08K		36 -34	NAS76A3-028		155 -15	S1021A4-6		91 -14F
NAS697A08K		69 -45	NAS76A3-028		156 -27	S1021A4-6		91 -14H
NAS697A08K		76 -44	NAS76A4-006		160 -16	S1021A4-6		91 -15
NAS697A3		8 -13	NAS76A4-006		161 -16	S1021A4-6		91 -18
NAS697A3		24 -35	NAS77-3-23		62 -37	S1021A4-6		91 -50B
NAS697A3		30 -34	NAS77-3-23		63 -68	S1021A4-6		92 -13
NAS697A3		30 -78	NAS77-6-88		62 -36	S1021A4-6		93 - 9
NAS697A3		37 -29	NAS77-6-88		62 -53	S1021A4-6		93 -17
NAS697A3		43 -14	NAS77-6-88		63 -67	S1021A4-6		93 -20
NAS697A3		44 - 9	NAS77-6-88		63 -82	S1021A4-6		94 -14
NAS697A3		75 -42A	NAS77A3-15		156 -22	S1021A4-6		94 -16
NAS697A3		76 -56	NA3-12A		96 -40	S1021A4-6		94 -26
NAS697A3		76 -59	NA3-12A		96A-42	S1021A4-6		94 -28
NAS697A3		77 -51B	NS15B6R12		103 -54	S1021A4-6		94 -28A
NAS697A3		78 -34	OR95-1.5		189 -21	S1021A4-6		98 -18
NAS697A3		78 -41	OR95-6		189 -21	S1021A4-6		98 -19
NAS697A3		79 -54	PN3A		162 -10	S1021A4-6		117 -16
NAS697A3		80 -49	PRO890		1 -14B	S1021A4-6		147 -25
NAS697A3		103 -31	P2033909-11		121 -	S1021A4-6		183 -78
NAS697A3		103 -38	P2043909-22		121 -	S1021A4-6C		84 -27
NAS697A3		104 -29	P2195054-01		121A- 1	S1021A4-8		89 -45
NAS697A3		104 -36	P2274		178 -16	S1021A4-8		187 - 9
NAS697A3		105 -30	P4075158-01		122 - 1	S1021A4-8		192 -20
NAS697A3		105 -38	R561		72 -35	S1021A4-8B		186 -16
NAS697A3		105 -48A	R561		73 -32	S1021A46-6		84 -19
NAS697A3		105A-34	R581462		135 -34	S1021A6-10		113 - 4
NAS697A3		105A-51	SE FIG 195		108 -11	S1021A6-10		113 - 8
NAS697A3		106 -30	SEE NOTE *		145 - 6	S1021A6-6		98 -11
NAS697A3		106 -48	SEE NOTE %		125 - 7	S1021A6-6		99 -13
NAS697A3		106A-34	SEE NOTE %		125 -14	S1021A6-6		100 -14
NAS697A3		106A-50	SEE NOTE %		125 -27	S1021A6-8		89A- 6
NAS697A3		112 -53	SEE NOTE %		125 -38	S1021A6-8		145 -28
NAS697A3		112 -64	SEE NOTE*		144 -40	S1021A6-8		195 -11
NAS697A3		118 - 9	SE709		177 -26	S1021A6-8		195A-11
NAS697A3		118 -13	SF1030BX		152 -14	S1021A6-8		195B- 4
NAS697A3		122 -11	SK182-34		62 - 3	S1021A8-6		151 -27
NAS697A3		122 -13	SK182-65		9 -15	S1021A8-6		184 - 1
NAS697A3		124 -13	SK182-65		16 -33	S1021A8-6		185 - 2
NAS697A3		136 -28	STD1838		193 -11	S1021ZA4-6		95 -38
NAS697A3		138 -60	STD1858		193 - 9	S1021Z10-10		126 -15
NAS697A3K		40 -39	STD690		193 - 8	S1021Z10-10		126 -35C
NAS697A3K		40 -42	S1003-43A		149 -37	S1021Z10-10		126 -43
NAS697A3K		41 -39	S1003-43A		149A-35	S1021Z10-10		128 -10
NAS697A3K		41 -42	S1003-91B		63 -17	S1021Z10-10		128 -11
NAS697A4		56 -20	S1003-94B		139 -24A	S1021Z10-10		145 -13
NAS697A4		125 -23A	S1003-95B		139 -24	S1021Z10-10		145 -17
NAS697A4K		36 -31	S1003-97B		123 -84	S1021Z10-6		157 -51
NAS697A4K		37 -25	S1003-98B		63 -17A	S1021Z10-6		175 -14
NAS697A4K		40 -49	S1004-1A		33 - 9	S1021Z10-6		181 -50
NAS697A4K		41 -49	S1004-1A		33 -14	S1021Z10-6		181 -94A
NAS698A06L		160 - 8	S1004-1A		33 -22	S1021Z10-6		182 -48
NAS698A06L		161 - 8	S1004-1A		34 - 9	S1021Z10-8		146 -19
NAS698A08		32 -33	S1004-1A		34 -13	S1021Z10-8		182 -47
NAS698A08		50 -44	S1004-1A		34A-10	S1021Z10-8		182 -91

# 182 & T182 Parts Catalog

PART NUMBER	FICHE AND FRAME	FIGURE AND INDEX NO.	PART NUMBER	FICHE AND FRAME	FIGURE AND INDEX NO.	PART NUMBER	FICHE AND FRAME	FIGURE AND INDEX NO.
S1021Z10-8		182 -97	S1021Z6-7		105A-42	S1021Z8-6		195 - 2
S1021Z10-8		183 -27	S1021Z6-7		106 -39	S1021Z8-6		195A- 2
S1021Z10-8		183 -31	S1021Z6-7		106A-41	S1021Z8-6		195B- 2
S1021Z4-4		88 -41	S1021Z6-8		84 - 3A	S1021Z8-8		5 -17
S1021Z4-4		89 -51	S1021Z6-8		84 - 4	S1021Z8-8		5 -42
S1021Z4-4C		169 -32	S1021Z6-8		84 - 6	S1021Z8-8		6 -12
S1021Z4-4C		170 -38	S1021Z6-8		85 - 4	S1021Z8-8		6 -20
S1021Z4-4C		171 -37	S1021Z6-8		85 - 5	S1021Z8-8		7 - 4A
S1021Z4-6		78 -46	S1021Z6-8		85 -21	S1021Z8-8		9 -86
S1021Z4-6		83 -31	S1021Z6-8		88 -45	S1021Z8-8		10 - 8
S1021Z4-6		84 - 9	S1021Z6-8		88 -45	S1021Z8-8		11 - 9
S1021Z4-6		84 -39	S1021Z6-8		89 -56	S1021Z8-8		16 -17
S1021Z4-6		85 -13	S1021Z6-8		89A-11	S1021Z8-8		19 -30
S1021Z4-6		85 -34	S1021Z6-8		111 - 5B	S1021Z8-8		24 -47
S1021Z4-6		85 -35	S1021Z6-8		184 -41	S1021Z8-8		24 -54
S1021Z4-6		85 -37	S1021Z6-8		185 -44	S1021Z8-8		24 -57
S1021Z4-6		87 - 4	S1021Z6-8		190 - 6	S1021Z8-8		28 - 7
S1021Z4-6		88 - 3	S1021Z6-8		196 - 3	S1021Z8-8		38 -14
S1021Z4-6		88 - 9	S1021Z6-8		197 - 9	S1021Z8-8		39 -23
S1021Z4-6		88 -19	S1021Z6-8B		98 -22	S1021Z8-8		55 -15
S1021Z4-6		88 -22	S1021Z6-8B		187 -31	S1021Z8-8		57 - 2
S1021Z4-6		88 -23	S1021Z6-8B		187 -37	S1021Z8-8		84 - 3
S1021Z4-6		88 -25	S1021Z6-8B		195B- 6	S1021Z8-8		85 - 3
S1021Z4-6		88 -26	S1021Z8-10		84 -37	S1021Z8-8		86 - 9
S1021Z4-6		89 -13	S1021Z8-10		85 -31	S1021Z8-8		88 -33
S1021Z4-6		89 -25	S1021Z8-10		118 -26	S1021Z8-8		88 -34
S1021Z4-6		89 -33	S1021Z8-10		144 -18	S1021Z8-8		89 -40
S1021Z4-6		89 -34	S1021Z8-10		145 -51	S1021Z8-8		89 -41
S1021Z4-6		92 -16	S1021Z8-10		145A-52	S1021Z8-8		89A- 2
S1021Z4-6		92 -51	S1021Z8-10		148 -14	S1021Z8-8		89A- 7
S1021Z4-6		92 -53	S1021Z8-10		148 -18	S1021Z8-8		89B- 2
S1021Z4-6		95 -10	S1021Z8-14		125 -22	S1021Z8-8		111 - 8
S1021Z4-6		118 -23	S1021Z8-14		146 -13	S1021Z8-8		125 -22
S1021Z4-6B		84 - 5	S1021Z8-14		173 -33	S1021Z8-8		125 -24
S1021Z4-6B		85 - 7	S1021Z8-24		147 -20A	S1021Z8-8		125 -42
S1021Z4-6B		170 -66	S1021Z8-4		76 -62	S1021Z8-8		132 - 6
S1021Z4-6B		170 -85	S1021Z8-4		78 -44	S1021Z8-8		133 - 8
S1021Z4-6B		171 -86	S1021Z8-5		151 -67	S1021Z8-8		144 - 2
S1021Z4-6B		186 -19	S1021Z8-6		5 -41	S1021Z8-8		145 -38
S1021Z4-6B		187 -12	S1021Z8-6		6 -46	S1021Z8-8		145A-42
S1021Z4-6B		187 -22	S1021Z8-6		28 -53	S1021Z8-8		145A-50
S1021Z4-6B		187 -28	S1021Z8-6		38 - 2	S1021Z8-8		147 -27
S1021Z4-6B		187 -34	S1021Z8-6		38 - 5	S1021Z8-8		166 -18
S1021Z4-6C		84 -28	S1021Z8-6		38 - 9	S1021Z8-8		169 - 3
S1021Z4-8		88 - 5	S1021Z8-6		38 -18	S1021Z8-8		169 -14
S1021Z4-8		89 - 9	S1021Z8-6		39 - 2	S1021Z8-8		170 -19
S1021Z4-8		89 -56	S1021Z8-6		39 - 7	S1021Z8-8		171 -51
S1021Z4-8C		88 -45	S1021Z8-6		39 -12	S1021Z8-8		171 -67
S1021Z6-10		57 - 4	S1021Z8-6		39 -15	S1021Z8-8		171 -70
S1021Z6-10		186 -16	S1021Z8-6		39 -18	S1021Z8-8		181 -51
S1021Z6-10		187 - 9	S1021Z8-6		44 -21	S1021Z8-8		181 -98C
S1021Z6-10		187 -19	S1021Z8-6		50 -58	S1021Z8-8		182 -49
S1021Z6-20		105A-40	S1021Z8-6		51 -61	S1021Z8-8		183 -38
S1021Z6-20		106A-39	S1021Z8-6		69 -45	S1021Z8-8		183 -43
S1021Z6-5		105A-40	S1021Z8-6		70 -46	S1021Z8-8		185 -28
S1021Z6-5		106A-39	S1021Z8-6		80 -59	S1021Z8-8		190 - 2
S1021Z6-6		70 -74	S1021Z8-6		125 - 7	S1021Z8-8C		97 - 6
S1021Z6-6		89B- 4	S1021Z8-6		125 -23H	S1021Z8-8C		170 - 3
S1021Z6-6		89B- 8	S1021Z8-6		125 -41	S1021Z8-8C		171 -58
S1021Z6-6		98 - 6	S1021Z8-6		125 -42	S1021Z8-8C		176A-17
S1021Z6-6		99 - 7	S1021Z8-6		125 -43	S1021Z4-6		89 - 5
S1021Z6-6		100 - 8	S1021Z8-6		126 -43	S1022A4-6		86 - 6
S1021Z6-6		101 - 8	S1021Z8-6		135 -72	S1022A4-6		87 - 8
S1021Z6-6		102 -10	S1021Z8-6		135 -81	S1022A4-6		154A-38
S1021Z6-6		111 -11	S1021Z8-6		144 - 4	S1022A4-8		113 -10
S1021Z6-6		111 -14	S1021Z8-6		145 -40	S1022A4-8B		92 -46
S1021Z6-6		171 -62	S1021Z8-6		146 -25	S1022Z4-6		84 - 7A
S1021Z6-6		181 -98A	S1021Z8-6		146 -27	S1022Z4-8		98 -10
S1021Z6-6		188 -24	S1021Z8-6		147 -41	S1022Z4-8		99 -11
S1021Z6-6		190 - 8	S1021Z8-6		148 -11	S1022Z4-8		100 -12
S1021Z6-6B		92 -58	S1021Z8-6		173 -33	S1022Z4-8		101 -12
S1021Z6-6B		98 -22	S1021Z8-6		181 -98B	S1022Z4-8		101A-12
S1021Z6-7		104 -39	S1021Z8-6		185 -21	S1022Z4-8		102 -14
S1021Z6-7		105 -41	S1021Z8-6		188 -23	S1022Z4-8		102A-12



# 182 & T182 Parts Catalog

PART NUMBER	FICHE AND FRAME	FIGURE AND INDEX NO.	PART NUMBER	FICHE AND FRAME	FIGURE AND INDEX NO.	PART NUMBER	FICHE AND FRAME	FIGURE AND INDEX NO.
S102274-8		102A-84	S1053E32T		1 -19	S1091-1		185 -37
S102276-8		98 -28	S1053E7T		1 -19	S1091-5		184 -64
S102276-8		99 -28	S1053E8T		1 -19	S1091-5		185 -38
S102276-8		101A-23	S1053E8T		144 -17	S1093-1		19 -32
S102276-8B		84 -32	S1053E8T		145 -16	S1095-1		38 -17
S102276-8B		85 - 9	S1053K10T		1 -19	S1095-2		38 - 4
S102278-10		182 -92	S1053K12T		1 -19	S1095-2		39 - 6
S102278-10		183 -50	S1053K20T		1 -19	S1095-3		38 - 1
S102278-10		188 - 2	S1053K20T		126 -34	S1095-3		39 - 1
S102278-6		5 -19	S1053K20T		146 -20	S1095-4		38 -13
S102278-6		5 -20	S1053K20T24.0		137 -15	S1095-4		39 -22
S102278-6		6 -24	S1053K24T		1 -19	S1095-5		39 -17
S102278-6		9 -38	S1053K24T		126 -44	S1104-3		125 -15
S102278-6		145 -26	S1053K24T		146 -17	S1104-3		127 - 9
S102278-8		5 -15	S1053K24T		147 - 1	S1106-3		19 - 5
S102278-8		5 -19	S1053K24W		1 -19	S1106-4		125 -33
S102278-8		5 -35	S1053K28W		1 -19	S11065-21		62 -21
S102278-8		5 -39	S1053K32T		1 -19	S1110ET		1 -24
S102278-8		6 -13	S1053K32T14		128 -64	S1110ET		146 -23
S102278-8		6 -15	S1055-1		1 -21	S1110ET		146 -23
S102278-8		6 -16	S1055-1		40 -21	S1110ET		146 -23A
S102278-8		6 -17	S1055-1		41 -18	S1110ET		147 -22
S102278-8		6 -41	S1055-1		190 -10	S1110ET		147 -23
S102278-8		6 -44	S1066C1		84 - 6	S1115-1		184 -12A
S102278-8		6 -46	S1067C1		84 - 2	S1115-1		198 - 4
S102278-8		52 - 4	S1067C1		85 - 2	S1115-1		199 - 4
S102278-8		52 - 5	S1071-1		1 -22	S1115-19		184 -14
S102278-8		53 - 4	S1071-1		6 -18	S1115-19		184 -14A
S102278-8		53 - 6	S1071-1		7 - 3	S1115-19		198 - 6
S102278-8		54 - 5	S1071-1		166 - 4	S1115-19		199 - 6
S102278-8		54 - 8	S1071-1		166 - 6	S1115-29		123 -56
S102278-8		182 -92	S1071-1		166 - 7	S1115-30		184 -12
S102278-8		183 -49	S1071-1		166 - 8	S1115-9		184 -12
S102278-8		19 -30	S1071-1		166 -16	S1115-9		184 -12A
S102278-8C		145 -25	S1071-1		166 -31	S1115-9		198 - 4
S1023A6-6C		144 -33	S1071-1		166 -32	S1115-9		199 - 4
S1023A8-8		84 - 2	S1071-1		166 -42	S1116		1 -43
S1023A8-8		85 - 2	S1071-1		166 -43	S1117-24		69 -28
S1023A8-8B		96 -49	S1071-1		166 -44	S1117-24		70 -28
S1023A8-8B		96A-51	S1071-1		166 -45	S1129-3-0144		128 -29
S1023Z8-8B		88 -36	S1071-1		166 -46	S1129-4-0140		127 -24
S1023Z8-8B		89 -43	S1071-1		167 - 6	S1129-4-0140		128 -14
S1026B6		1 -18	S1071-1		167 - 7	S1129-40-0430		138 -41
S1029-1		1 -58	S1071-1		167 - 8	S1129-6-0144		128 -27
S1047-1		1 -20	S1071-1		167 - 9	S1129-6-104		171 -17
S1047-2		1 -20	S1071-1		167 -10	S1129-8-0284		128 -23
S1047-3		124 -34	S1071-1		167 -11	S1129-8-0294		138 -32
S1047-3		124 -35	S1071-1		168 - 6	S1129-8-0430		128 -21
S1048-2		50 -56	S1071-1		168 - 7	S1130-1		6 -19
S1048-2		51 -59	S1071-1		168 - 8	S1130-1		166 -11
S1050-1		1 -48	S1071-1		168 - 9	S1130-1		166 -19
S1050-1		40 -11	S1071-1		168 -10	S1130-1		166 -33
S1050-1		192 -14	S1071-1		168 -11	S1130-1		166 -47
S1050-1		194 -18	S1071-1		166 - 5	S1130-1		166 -47
S1050-1-4.33		145 -21	S1071-1		166 - 5	S1130-1		167 -14
S1050-2		1 -48	S1071-3		1 -22	S1130-1		168 -12
S1050-3		1 -48	S1071-4		1 -22	S1131-1		6 -19
S1052-1		163 -10	S1071-5		1 -22	S1131-1		7 - 2
S1053E10T		1 -19	S1071-5		96A-59	S1131-1		166 -11
S1053E10T		144 -20	S1074-1		112 - 4	S1131-1		166 -19
S1053E10T		145 -11	S1078-1		1 - 7	S1131-1		166 -33
S1053E12T		1 -19	S1078-1		5 -37	S1131-1		166 -48
S1053E12T		145A-17	S1078-1		6 -43	S1131-1		166 -48
S1053E12T		145A-18	S1078-2		1 - 8	S1131-1		167 -14
S1053E16T		146 -26	S1078-3		1 - 9	S1131-1		168 -12
S1053E16T		147 -40	S1080-1		33 -11	S1131-1		168 -15
S1053E20T		1 -19	S1080-4		151 -14	S1132-1		166 -17
S1053E20T		145A-15A	S1080-4		151 -25A	S1133-1		166 - 9
S1053E24T		1 -19	S1084-1		1 -23	S1133-1		167 -15
S1053E24T		144 -38	S1090-2		184 -64	S1133-2		166 -24
S1053E24T		145 - 4	S1090-2		185 -38	S1135-1		166 -34
S1053E24T		146 -15	S1090-22		184 -63	S1135-1		167 - 5
S1053E24T		89A- 8	S1090-22		185 -37	S1137-1		166 -41
S1053E28T		1 -19	S1091-1		184 -63	S1138-1		166 -12

# 182 & T182 Parts Catalog

PART NUMBER	FICHE AND FRAME	FIGURE AND INDEX NO.	PART NUMBER	FICHE AND FRAME	FIGURE AND INDEX NO.	PART NUMBER	FICHE AND FRAME	FIGURE AND INDEX NO.
S1138-1		166 -34	S1241-36		100 -55	S1360-15L		119B- 4
S1138-1		167 - 5	S1241-36		101 -57	S1360-20L		98 -77
S1138-1		167 -13	S1241-36		101A-57	S1360-20L		99 -79
S1138-1		168 - 5	S1241-36		102 -58	S1360-20L		100 -73
S1138-1		168 -13	S1241-36		102A-56	S1360-20L		119C- 4
S1139-1		166 -10	S1241-37		98 -60	S1360-5L		98 -75
S1139-1		167 -12	S1241-37		99 -62	S1360-5L		99 -76
S1139-1		168 -14	S1241-37		100 -56	S1360-5L		100 -70
S1150-1		124 -12	S1241-37		101 -58	S1360-5L		101 -71
S1150-1		124 -13	S1241-37		101A-58	S1360-5L		101 -72
S1150-1		124 -15	S1241-37		102 -59	S1360-5L		101A-70
S1150-1		124 -17	S1241-37		102A-57	S1360-5L		102 -76
S1150-1		124 -26	S1241-37		146 - 9	S1360-5L		102A-73
S1153-3		181 -51	S1241-37		147 -14	S1360-60		98 -78
S1154-1		125 -23H	S1249-2		155 -18	S1362-23		86 -12
S1155-2		181 -98A	S1249-2		156 -30	S1362-25-1		86 -12
S1155-2		182 -91	S1249-2		156A-14	S1362-25-1		86 -12
S1155-2		182 -97	S1258-1		166 -13	S1362-25-1		86 -12
S1155-2		183 -31	S1268-14		98 -58	S1362-25-10		86 -12
S1155-2		189 -20A	S1268-14		99 -60	S1362-25-11		86 -12
S1155-3		154B- 3	S1268-14		100 -54	S1362-25-12		86 -12
S1155-3		154B- 7	S1268-14		101 -56	S1362-25-12		86 -12
S1155-3		181 -48	S1268-14		101A-56	S1362-25-13		86 -12
S1155-3		181 -50	S1268-14		102 -57	S1362-25-13		86 -12
S1155-3		182 -46	S1268-14		102A-55	S1362-25-14		86 -12
S1155-3		182 -48	S1268-14		147 -26	S1362-25-15		86 -12
S1155-3		182 -49	S1278-2		4 -49	S1362-25-16		86 -12
S1155-3		183 -27	S1283-1		182 -45	S1362-25-17		86 -12
S1155-3		183 -38	S1283-1		183 -25	S1362-25-18		86 -12
S1155-3		183 -47	S1291-10		28 -34	S1362-25-2		86 -12
S1155-4		181 -94A	S1291-10		29 -17	S1362-25-2		86 -12
S1155-4		181 -98C	S1291-12		28 -34	S1362-25-2		86 -12
S1155-4		182 -46	S1291-12		29 -17	S1362-25-3		86 -12
S1155-4		182 -91	S1291-4		154A-35	S1362-25-4		86 -12
S1155-4		182 -92	S1291-6		9 -47	S1362-25-5		86 -12
S1155-4		182 -96	S1291-8		7 -49	S1362-25-6		86 -12
S1155-4		183 -27	S1291-8		8 - 9	S1362-25-6		86 -12
S1155-4		183 -31	S1291-8		10 - 5	S1362-25-6		86 -12
S1155-4		183 -38	S1291-8		10 -32	S1362-25-7		86 -12
S1155-4		183 -43	S1291-8		11 - 6	S1362-25-8		86 -12
S1155-4		183 -47	S1291-8		11 -33	S1362-25-8		86 -12
S1164-1		121A- 8	S1311-3		98 -53	S1362-25-9		86 -12
S1166-1		48 -16	S1311-3		99 -56	S1366-1		1 -26
S1166-1		49 -17	S1311-3		100 -51	S1366-1		99 -61
S1167-8-0150		169 -45	S1311-4		101 -55	S1366-2		1 -26
S1167-8-0150		170 -50	S1311-4		101A-42	S1366-3		1 -26
S1194-1-17		83 -19	S1311-4		102 -45	S1367-1-4		119 - 7
S1196-1		155 -19	S1311-4		102A-43	S1372-1		98 -50
S1196-1		156 -31	S1346-1		1 -25	S1372-1		99 -52
S1196-1		156A-15	S1346-1		40 -67	S1372-1		100 -47
S1209-1		44 -51	S1346-1		41 -59	S1372-1		126 -44
S1209-1		44 -60	S1356		1 -44	S1372-2		101 -49
S1216-3		116 -18	S1357-3		112 -44	S1372-2		126 -44
S1216-7		101 -66	S1358-1		151 - 9	S1378-1		1 -27
S1216-7		101A-66	S1358-2		172 - 4	S1378-2		1 -27
S1230-10		98 -66	S1358-2		172A- 4	S1389-1		1 -28
S1230-10		99 -68	S1359-7		83 -16	S1389-1		46 - 4A
S1230-10		100 -62	S1360-10L		98 -74	S1389-1		47 - 3
S1230-10		101 -63	S1360-10L		98 -80	S1389-1		48 - 7
S1230-10		101A-63	S1360-10L		99 -77	S1389-1		49 - 7
S1232-60		101 -75	S1360-10L		100 -71	S1389-10		5 -37
S1232-60		101A-72	S1360-10L		101 -72	S1389-10		6 -43
S1232-60		102 -73	S1360-10L		101 -73	S1389-2		1 -28
S1232-60		102A-70	S1360-10L		101 -74	S1389-2		46 - 2
S1232-60		192 -18	S1360-10L		101A-71	S1389-2		46 - 4
S1234-5		98 -63	S1360-10L		102 -74	S1389-2		47 - 2
S1234-5		99 -65	S1360-10L		102 -75	S1389-3		1 -28
S1236-4-0460		126 -38	S1360-10L		102A-71	S1389-4		1 -28
S1236-4-0460		177 - 2	S1360-10L		102A-72	S1389-5		1 -28
S1236-4-0495		126 -38	S1360-15L		98 -76	S1389-6		1 -28
S1236-4-0495		177 - 2	S1360-15L		98 -80	S1389-7		1 -28
S1236C3-0205		128 -65	S1360-15L		99 -78	S1389-7		46 - 3
S1241-36		98 -59	S1360-15L		100 -72	S1397-12		3 -13
S1241-36		99 -61	S1360-15L		101 -74	S1397-12		4 -12

# 182 & T182 Parts Catalog

PART NUMBER	FICHE AND FRAME	FIGURE AND INDEX NO.	PART NUMBER	FICHE AND FRAME	FIGURE AND INDEX NO.	PART NUMBER	FICHE AND FRAME	FIGURE AND INDEX NO.
S1397-13		4 -36	S1450-3A32-050		179 -27	S1494-10		180B-16
S1398-1		1 -29	S1450-3A32-050		180 -29	S1494-12		201 -12
S1398-1		181 -46	S1450-3A32-050		180A-33	S1494-12		202 -22
S1398-1		182 -43	S1450-3A32-050		180B-28	S1494-16		178 -34
S1398-1		183 -26	S1450-3A8-032		98 -26	S1494-16		179 -36
S1398-2		1 -30	S1450-3A8-032		99 -25	S1494-16		180 -9
S1398-2		181 -47	S1450-3A8-032		100 -22	S1494-16		180A-6
S1398-2		182 -44	S1450-3A8-032		101 -21	S1494-16		180B-4
S1398-2		183 -26	S1450-3A8-032		101A-21	S1494-16		180C-5
S1399-1		100 -55	S1450-3A8-032		102 -24	S1494-16		180C-10
S1399-1		101 -58	S1450-3A8-032		102A-22	S1494-16		180C-12
S1399-1		101A-58	S1450-3D9-032		69 -61	S1494-16		180C-15
S1399-1		102 -58	S1450-3D9-032		70 -69	S1494-16		180C-17
S1399-1		102A-56	S1450-31-8-032		81 -8	S1494-6		178 -43
S1399-1		185 -22	S1450-4-10-064		95 -7	S1494-6		180 -14
S1399-1-8.00		146 -14	S1450-4-10-064		96 -7	S1494-6		180A-14
S1413-1		98 -31	S1450-4-10-064		96 -9	S1494-7		180B-20
S1413-2		98 -31	S1450-4-10-064		96A-7	S1494-7		180B-22
S1413-2		99 -33	S1450-4-10-064		96A-9	S1494-8		9 -47
S1413-2		100 -29	S1450-4-14-032		125 -35	S1494-8		53 -14
S1415-1		1 -31	S1450-4A11-063		116 -3	S1494-9		178 -39
S1426-1		114 -2	S1450-4H12-050		115 -3	S1495-10		1 -33
S1438-10		139 -25	S1450-4S7-016		92 -62	S1495-3		1 -33
S1438-2		149 -9	S1450-5-12-035		58 -20	S1495-3		69 -38
S1438-2		149 -27	S1450-5-12-035		59 -33	S1495-3		70 -38
S1438-2		149 -28	S1450-5-14-063		30 -85	S1495-4		1 -33
S1438-20		149A-15A	S1450-5-14-063		112 -31	S1495-4		178 -22
S1438-20		149A-32	S1450-5A24-040		144 -13	S1495-4		178 -22
S1438-20		149A-33	S1450-5A24-040		145 -46	S1495-4		178 -25
S1441-1		1 -32	S1450-5A24-040		145 -61	S1495-4		178 -49
S1441-1		83 -32	S1450-5A24-040		145A-62	S1495-4		178 -50
S1441-2		1 -32	S1450-5H14-040		191 -12	S1495-4		179 -13
S1441-2		76 -65	S1450-5H14-063		191 -3	S1495-4		179 -18
S1441-2		78 -39	S1450-6-14-063		30 -97B	S1495-4		179 -18
S1441-2		80 -62	S1450-6-14-080		191 -10	S1495-4		180 -18
S1441-2		144 -14B	S1450-6-14-080		192 -7	S1495-4		180 -19
S1441-2		145 -49	S1450-6-14-080		193 -2	S1495-4		180A-18
S1441-2		75 -47	S1450-6-14-080		194 -5	S1495-4		180A-19
S1441-2		77 -44	S1450-6B14-010		62 -32	S1495-4		180A-25
S1441-2		79 -51	S1450-6B14-010		62 -45	S1495-6		1 -33
S1441-3		1 -32	S1450-6B14-010		63 -60	S1495-6		9 -47
S1450-1A8-032		145 -29	S1450-6B14-010		63 -78	S1495-6		52 -13
S1450-19A16-050		98 -64	S1450-7B12-032		18 -3	S1495-6		53 -13
S1450-19A16-050		99 -66	S1477-06		103 -40A	S1495-6		169 -15
S1450-19A16-050		100 -60	S1477-06		104 -41	S1495-6		170 -26
S1450-19A16-050		101 -61	S1477-06		105 -4	S1495-6		170 -26
S1450-19A16-050		101A-61	S1477-06		105 -43	S1495-6		170 -28A
S1450-19A16-050		102 -65	S1477-06		105A-44	S1495-6		171 -53
S1450-19A16-050		102A-62	S1477-06		106A-43	S1495-6		171 -53
S1450-19A18-040		75 -22	S1477-08		76 -73	S1495-6		178 -7
S1450-19A18-040		76 -10	S1477-08		78 -56	S1495-6		178 -10
S1450-20B12-032		157 -42	S1477-08		80 -70	S1495-6		178 -11
S1450-20B12-032		163 -31	S1483-1		79 -66	S1495-6		178 -19
S1450-20B12-032		163 -39	S1483-2		75 -65	S1495-6		178 -41
S1450-21-20-063		9 -75	S1483-9		75 -66	S1495-6		178 -42
S1450-23H16-095		125 -6	S1485DG12U		126 -15	S1495-6		178 -45
S1450-23H16-095		127 -3	S1485D12U		126 -43	S1495-6		178 -46
S1450-24A10-025		89 -45	S1485D16U		145 -17	S1495-6		178 -60
S1450-24A7-040		155 -4	S1485D17U		144 -18	S1495-6		178 -64
S1450-24A7-040		156 -4	S1485D2		176A-17	S1495-6		178 -65
S1450-24A7-040		156 -9	S1485D20U		145 -13	S1495-6		179 -7
S1450-24A7-040		156A-4	S1485D3U		125 -41	S1495-6		179 -8
S1450-24A7-040		156A-8	S1486DG3L		148 -18	S1495-6		179 -12
S1450-27A7-032		173 -15	S1486DG3U		125 -24	S1495-6		179 -20
S1450-27A7-032		174 -14	S1486DG3U		125 -42	S1495-6		179 -21
S1450-3-10-032		127 -9	S1486DG5U		125 -22	S1495-6		179 -24
S1450-3-10-032		194 -10	S1486DG6U		9 -84	S1495-8		1 -33
S1450-3-12-063		63 -18	S1486DG6U		125 -22	S1495-8		16 -13
S1450-3-14-032		125 -17	S1486DG8U		16 -16	S1495-8		169 -2
S1450-3-14-063		30 -86	S1486DG8U		16 -16	S1495-8		169 -17
S1450-3-14-063		30 -97C	S1486DG8U		169 -3	S1495-8		170 -27
S1450-3-14-063		145A-61	S1490-10		201 -14	S1495-8		170 -28
S1450-3-14-063		145A-67	S1490-10		202 -24	S1495-8		171 -59
S1450-3A32-050		178 -69	S1494-10		180B-11	S1495-8		171 -71

# 182 & T182 Parts Catalog

PART NUMBER	FICHE AND FRAME	FIGURE AND INDEX NO.	PART NUMBER	FICHE AND FRAME	FIGURE AND INDEX NO.	PART NUMBER	FICHE AND FRAME	FIGURE AND INDEX NO.
S1495-8		171 -74	S1640-15		1 -41	S1746AA5		97 -14
S1497-4		178 -21	S1640-6		1 -41	S1746BB1		117 -24
S1497-4		178 -26	S1640-9		1 -41	S1746BB5		97 -14
S1497-4		178 -54	S1641-12		1 -42	S1746B1		117 -24
S1497-6		178 - 9	S1641-15		1 -42	S1746B1		117 -24
S1497-6		178 -44	S1641-6		1 -42	S1746B1		117 -24
S1497-6		179 -10	S1641-6		184 -43	S1746B1		117 -24
S1511-1		1 -51	S1641-6		185 -46	S1746B5		97 -14
S1517-16		174 -19	S1641-9		1 -42	S1746B5		97 -14
S1517-2		173 -19	S1641-9		185 -46	S1746B5		97 -14
S1520-1		181 -43	S1644-2		176 -18	S1746B5		97 -14
S1520-1		182 -37	S1644-2		176A-22	S1746CC1		117 -24
S1520-1		183 -60	S1648-06K75		18 -32	S1746CC1		117 -24
S1520-1		183 -77	S1648-06K75		23 -34	S1746CC1		117 -24
S1527-1		119C-25	S1660-1		184 -24	S1746CC1		117 -24
S1542-1		112 -20	S1672-5		5 -20	S1746CC5		97 -14
S1550-1		123 -23	S1672-5		6 -24	S1746CC5		97 -14
S1550-1		123 -42	S1672-9		5 -20	S1746CC5		97 -14
S1554-4		70 -73A	S1672-9		6 -24	S1746CC5		97 -14
S1570-8-12		63 -72	S1674-1		149 -32	S1746DD1		117 -24
S1573-3		173 - 4	S1674-1		149A-37	S1746DD5		97 -14
S1573-3		174 - 4	S1675-1		149 -33	S1746EE1		117 -24
S1577-1		185 -16	S1693		144 -21	S1746EE5		97 -14
S1577-1		198 -13	S1693-1		152 -23	S1746FF1		117 -24
S1579-2		184 -51	S1693-2		144 -19	S1746FF5		97 -14
S1580-1		200 - 6	S1693-2		152 -24	S1746GG1		117 -24
S1580-1		201 -15	S1693-2		184 -26	S1746GG5		97 -14
S1588-1		16 -28	S1693-2		184 -59	S1746HH5		97 -14
S1588-2		16 -29	S1693-3		160 -18	S1746JJ1		117 -24
S1588-2		9 -43	S1693-3		178 -58	S1746JJ1		117 -24
S1589-3		124 - 3	S1693-6		69 -39	S1746JJ5		97 -14
S1589-3		124 - 8	S1693-6		70 -39	S1746JJ5		97 -14
S1596-60		99 -80	S1695-2		98 -29	S1746KK1		117 -24
S1596-60		100 -74	S1695-2		99 -29	S1746KK5		97 -14
S1597-1-30.8		129 -14	S1695-2		100 -25	S1746LL1		117 -24
S1597-1-37.5		130 - 8	S1695-2		101 -24	S1746LL5		97 -14
S1597-1-37.5		193 - 5	S1695-2		101A-24	S1746MM1		117 -24
S1597-1-38.5		130 - 9	S1695-2		102 -26	S1746MM5		97 -14
S1597-1-38.5		194 - 8	S1695-2		102A-24	S1746NN1		117 -24
S1604-6		138 - 5	S1702-1		28 -56	S1746NN5		97 -14
S1605-2		98 -57	S1704-1		93 -79	S1746T1		117 -24
S1605-2		99 -59	S1707-60L		101 -75	S1746T5		97 -14
S1605-2		100 -53	S1710-1		148 -39	S1746Z1		117 -24
S1605-2		101 -52	S1711-1		127 -31	S1746Z1		117 -24
S1605-2		101A-52	S1711-1		177 - 9	S1746Z5		97 -14
S1605-2		102 -56	S1721-12		181 -37	S1746Z5		97 -14
S1605-2		102A-54	S1721-12		182 -40	S1762-1		88 - 4
S1611-1		1 -34	S1721-3		183 -79	S1762-1		89 - 8
S1614		1 -45	S1722		181 -97	S1771-3		164 -18
S1628-027		67 - 4	S1722-125		182 -90	S1775-3		201 -11
S1628-027		68 - 5	S1722-145		183 -30	S1775-3		202 -21
S1628-027		68 -20	S1723-10		183 -59	S1776-5		28 -50
S1628-110		150 -19	S1723-5		181 -39	S1776-5		29 -26
S1628-112		67 - 6	S1723-5		182 -42	S1780-8		144 -15
S1628-112		68 - 3	S1724-1		181 -38	S1780-8		145 -64
S1628-112		68 -18	S1724-1		182 -41	S1780-9		145A-65
S1628-329		62 -22	S1724-1		183 -60	S1800-1		180A-20
S1635-1		63 -31	S1726-1		75 -62	S1800-1		180B-23
S1635-100		1 -35	S1726-1		79 -62	S1807-1		184 -26
S1635-2		119C-12	S1727-1		75 -62	S1807-1		184 -58
S1635-3		1 -35	S1727-1		79 -62	S1807-1		198 -15
S1636-1		1 -36	S1728-1		144 -28	S1807-1		200 - 4
S1636-2		1 -36	S1728-1		145A-39	S1809-1		114 - 6
S1636-3		1 -36	S1728-4		145A-39	S1819-3		18 -11
S1637-1		1 -37	S1741-1		28 -44	S1827-1		62 -15
S1637-1		189 -14	S1741-1		29 -34	S1827-1		63 -13
S1637-2		1 -38	S1741-1		32 -34	S1831-1		184 - 1
S1637-2		189 -14	S1741-1		50 -63	S1831-1		184 - 2
S1638-1		1 -39	S1742-1		51 -71	S1831-1		185 - 4
S1638-1		189 - 8	S1742-1		28 -69	S1834-1		185 -10
S1638-2		1 -40	S1742-1		29 -38	S1834-1		144 - 9
S1638-2		189 -13	S1742-2		89A- 9	S1834-1		145 -45
S1640-12		1 -41	S1746AA1		29 -50	S1843-2		102 -71
					117 -24	S1843-2		102A-68

# 182 & T182 Parts Catalog

PART NUMBER	FICHE AND FRAME	FIGURE AND INDEX NO.	PART NUMBER	FICHE AND FRAME	FIGURE AND INDEX NO.	PART NUMBER	FICHE AND FRAME	FIGURE AND INDEX NO.
S1843-3		101 -69	S1863-3A		37 -28	S1904-3		98 -68
S1843-3		101A-69	S1863-3A		38 - 2	S1904-3		99 -70
S1846HH1		117 -24	S1863-3A		38 -10	S1904-3		100 -64
S1853-1		123 -63	S1863-3A		38 -19	S1906-1		164 -11
S1853-1		137 -11	S1863-3A		39 - 3	S1910-2		186 - 3
S1853-13-080		51 -90	S1863-3A		39 - 8	S1914-8		91 - 7
S1853-4		51 -90	S1876-1		184 - 1	S1914-8		91 -34
S1853-4		126 -32	S1878-1		28 -27	S1914-8		92 -38
S186-3		9 -42	S1878-1		44 -56	S1914-8		93 -82
S1860-1A		19 -28	S1878-1		50 -64	S1914-8		94 -92
S1860-2		15 -12	S1878-1		50 -66	S1917-1		184 -44
S1860-2		36 -33A	S1878-1		50 -66A	S1921-2		138 -20
S1860-2A		9 -27	S1878-1		51 -72	S1927-3		119 - 2
S1860-2A		9 -27	S1878-1		51 -74	S1929-1		36 -19
S1860-2A		9 -29	S1878-1		51 -75	S1929-1		141 -22
S1860-2A		9 -31	S1891-10		16 - 9	S1931-8		75 -72
S1860-2A		9 -33	S1891-10		169 -16	S1931-8		76 -53
S1860-2A		9 -33	S1891-10		169 -17	S1931-8		79 -73
S1860-2A		10 - 6	S1891-10		171 -59	S1931-8		80 -41
S1860-2A		11 - 2A	S1891-20		145 -12	S1931-8		83 -18
S1860-2A		11 -15A	S1891-32		138 -51	S1941-1		98 -50
S1860-2A		14 -17	S1891-48		126 -35	S1941-1		99 -52
S1860-2A		14 -19	S1891-48		137 - 9	S1941-1		100 -47
S1860-2A		15 -11	S1891-48		137 -16	S1941-1		101 -49
S1860-2A		15 -16	S1891-48		138 -22	S1941-1		101A-48
S1862-1		31 -30	S1891-48		138 -24	S1941-1		102 -51
S1862-1		32 -38	S1891-48		147 - 2	S1941-1		102A-49
S1862-1		50 -59	S1891-6		9 -45	S1948-2		145 -50
S1862-1		51 -56	S1891-64		128 -64	S1948-2-1		1 -47
S1862-1		69 -69	S1891H32		137 -18	S1948-2-1		85 -15
S1862-1A		104 -10	S1891H48		137 -19	S1948-2-1		85 -17
S1862-1A		104 -31	S1893-1		184 - 1	S1948-2-1		86 -11
S1862-1A		105 -11	S1893-1		185 - 7	S1948-2-1		87 -10
S1862-1A		105 -11	S1894-1		98 -50	S1948-2-1		84 -12
S1862-1A		105 -32	S1894-1		99 -52	S1948-2-10		1 -47
S1862-1A		105A-11	S1894-1		100 -47	S1948-2-11		1 -47
S1862-1A		105A-36	S1894-2		101 -49	S1948-2-12		1 -47
S1862-1A		106 -11	S1894-3		98 -50	S1948-2-13		1 -47
S1862-1A		106 -32	S1894-3		99 -52	S1948-2-2		1 -47
S1862-1A		106A-10	S1894-3		100 -47	S1948-2-3		1 -47
S1862-1A		106A-36	S1894-4		101 -49	S1948-2-4		1 -47
S1862-2		36 -21	S1894-4		101A-48	S1948-2-5		1 -47
S1862-2		37 -26	S1894-4		102 -51	S1948-2-6		1 -47
S1862-2		38 -14	S1894-4		102A-49	S1948-2-7		1 -47
S1862-2		135 -50	S1894-4		109 -11	S1948-2-8		1 -47
S1862-2		135 -65	S1895-1		111 -13	S1948-2-9		1 -47
S1862-2A		10 - 6A	S1898-2		84 - 8	S1950-1E		88 -14
S1862-2A		11 - 7	S1898-2		85 -11	S1950-1E		89 -18
S1862-2A		24 -44	S1898-2		85 -33	S1950-2E		89 -60
S1862-3		135 -51	S1899-1-A58		107 - 2	S1950-4E		89 -58
S1862-3		135 -65	S1899-1-A58		107 - 3	S1951-5		128 -44
S1863-1		70 -76	S1899-1-A58		107 -11	S1953-1		181 -21
S1863-2		31 -29	S1899-1-A58		107 -15	S1953-1		182 -21
S1863-2		32 -18	S1899-1-A58		107 -16	S1953-1		183 -19
S1863-2		32 -19	S1899-1-A58		107 -26	S1953-3		181 -20
S1863-2		32 -39	S1899-1-A58		108 - 2	S1953-3		182 -20
S1863-2		34A-15	S1899-1-A58		108 - 7	S1953-3		183 -18
S1863-2		42 - 6	S1899-2-A58		107 - 4	S1957-2		88 -21
S1863-2		43 - 6	S1899-2-A58		107 - 5	S1960-1-0		153 -33
S1863-2		69 -70	S1899-2-A58		107 -17	S1961-1-0		154 -42
S1863-2		70 -75	S1899-2-A58		107 -18	S1962-1-0		153 -32
S1863-3		10 - 3	S1899-2-A58		108 - 3	S1962-1-0		154A-36
S1863-3		11 - 4	S1899-3-A58		109 - 2	S1963-1		154A-36
S1863-3		32 -10	S1899-3-A58		109 - 7	S1963-2		178 -53
S1863-3		36 -20	S1899-4-A58		109 - 3	S1964-4		126 -58
S1863-3		37 -27	S1899-5		188 - 8	S1974-1		98 -67
S1863-3		38 - 6	S1899-6		188 - 9	S1974-1		99 -69
S1863-3		38 -14	S1899-7		188 - 8	S1974-1		100 -63
S1863-3		39 -19	S1899-8		188 - 9	S1974-1		101 -68
S1863-3		42 - 5	S1901-1		186 - 6	S1974-1		101A-68
S1863-3		43 - 5	S1904-2		101 -65	S1974-1		102 -68
S1863-3A		24 -43	S1904-2		101A-65	S1974-1		102A-65
S1863-3A		36 -35	S1904-2		102 -69	S1980-1		98 -68
S1863-3A		36 -35	S1904-2		102A-66	S1980-1		99 -70

# 182 & T182 Parts Catalog

PART NUMBER	FICHE AND FRAME	FIGURE AND INDEX NO.	PART NUMBER	FICHE AND FRAME	FIGURE AND INDEX NO.	PART NUMBER	FICHE AND FRAME	FIGURE AND INDEX NO.
S1980-1		100 -64	S2000C201J		110A-11	S2092-1		88 -33
S1980-1		101 -65	S2013-2		93 -35	S2092-1		88 -34
S1980-1		101A-65	S2013-2		94 -43	S2092-1		89 -39
S1980-1		102 -69	S2013-2		94 -68	S2092-1		89 -40
S1980-1		102A-66	S2013-4		63 -43	S2092-1		89 -41
S1980-5		102 -61	S2013-7		151 - 8	S2092-10		152 -32
S1980-5		102 -62	S2013L2		93 -60	S2092-10		153 -40
S1980-5		102A-58	S2014-2		93 -35	S2092-10		154 -50
S1980-5		102A-59	S2014-2		93 -60	S2092-2		88 -32
S1981-5		166 -38	S2014-2		94 -43	S2092-2		88 -33
S1982-1		98 -61	S2014-2		94 -68	S2092-2		88 -34
S1982-1		99 -63	S2014-4		63 -44	S2092-2		89 -39
S1982-1		100 -57	S2014-7		151 - 7	S2092-2		89 -40
S1982-1		101 -59	S2014-9		63 -42	S2092-2		89 -41
S1982-1		102 -60	S2016-3		89 -45	S2092-3		1 -49
S1985-1		152 -15	S2019-111		172 -16	S2092-3		84 -18
S1985-1		153 -15	S2019-112		172 -16	S2092-3		85 -22
S1985-1		154 -34	S2019-140		172A-18	S2092-3		85 -25
S1985-1		154A-17	S2019-141		172A-18	S2092-3		89 -33
S1985-1		154B- 1	S2019-145		172A-18	S2092-3		89 -60
S1985-3		154A-22	S2019-148		172A-18	S2092-3		152 -31
S1991-1		184 - 8	S202RB		1 -16	S2092-3		153 -39
S1994-1-1		98 -71	S202RB		5 -43	S2092-3		154 -49
S1994-1-1		99 -73	S202RB		135 -23	S2092-4		1 -50
S1994-1-1		100 -67	S202R0265B		135 -31	S2092-4		85 -24
S1994-1-1		101 -69	S202R0330B		135 -18	S2092-4		89 -60
S1994-1-1		101A-69	S202R0420B		135 -19	S2092-5		100 -19
S1994-1-1		102 -71	S202R0485B		135 -32	S2092-5		101 -17
S1994-1-1		102A-68	S202R0710B		135 -37	S2092-5		101A-17
S1995-1		101 -65	S202R0715B		135 -21A	S2092-5		102 -20
S1995-1		102 -69	S202R1750B		24 -55	S2092-5		102A-18
S1995-1		102A-66	S202VW		1 -16	S2092-6		84 -18
S1995-2		101 -65	S2020-2		17 - 1	S2092-6		100 - 4
S1995-2		101A-65	S2024-1		144 - 8	S2092-6		100 -17
S1995-2		102 -69	S2024-1		145 -44	S2092-6		101 - 4
S1995-2		102A-66	S2024-1		145 -55	S2092-6		101 -16
S1995-3		101 -65	S2024-1		145A-56	S2092-6		101A- 4
S1995-3		101A-65	S2030-1		153 -16	S2092-6		101A-16
S1995-3		102 -69	S2030-1		154 -35	S2092-6		102 - 4
S1995-3		102A-66	S2032-2		161A- 8	S2092-6		102 -17
S1995-4		98 -69	S2034-1		52 - 4	S2092-6		102A- 4
S1995-4		99 -71	S2034-1		52 - 5	S2092-6		102A-15
S1995-4		100 -65	S2034-1		53 - 3	S2092-6		108 - 5
S1995-4		109 -11	S2034-1		53 - 6	S2092-6		108 -10
S1995-4		109A-10	S2034-1		54 - 4	S2092-6		109 - 5
S1995-4		110 -12	S2034-1		54 - 8	S2092-6		109 -10
S1995-4		110A-10	S2034-1		55 -14	S2092-6		109A- 4
S1995-5		101A-65	S2034-1		171 -62	S2092-6		109A- 9
S1995-5		109 -12	S2037-1		181 - 3	S2092-6		110 - 6
S1995-5		109A-10	S2037-1		182 - 3	S2092-6		110 -11
S1995-5		110 -12	S2041-50-1.6		185 -32	S2092-6		110A- 4
S1995-5		110A-10	S2043-1		166 -13	S2092-6		110A- 9
S1995-6		109 -13	S2049-4FG		61 - 5	S2093-1		152 -20
S1995-6		109A-11	S2049P4FG		138 -10	S2106-1		17 - 1
S1995-6		110 -12	S2049P4LFG		138 -10	S2107-1		17 - 3
S1995-6		110A-11	S2071-1		166 -40	S2108-1		1 -57
S1997-2268		151 - 6	S2074-1		117 - 2	S2108-1		75 -49
S1997-40G12		63 -47	S2074-1		117 - 4	S2108-1		79 -53
S1997-44G16		63 -46	S2076-1		117 -11	S2108-2		1 -57
S1997-6-10		18 - 7	S2083-1		164 -42	S2108-3		1 -57
S1997-6H10		163 -32	S2087-1		30 -87	S2108-4		1 -57
S1997-9G12		63 -48	S2087-1		30 -98	S2108-4		20 -22
S1997C4-5		34 - 6	S2087-1		123 -70	S2108-4		76 -66
S1997C4-5		34A- 6	S2091-1		98 -69	S2108-4		80 -63
S1997C4-5		155 - 5	S2091-1		99 -71	S2122-1		101 -75
S1997C4-5		156 - 5	S2091-1		100 -65	S2122-1		101A-72
S2000B270J		99 -70	S2091-3		101 -65	S2135-2		101 -50
S2000B270J		100 -64	S2091-3		101A-65	S2135-2		101A-49
S2000C201J		101 -65	S2091-7		102 -69	S2135-2		101A-50
S2000C201J		101A-65	S2091-7		102A-66	S2135-2		102A-50
S2000C201J		102 -69	S2091-7		109 -13	S2145-1		1 -56
S2000C201J		102A-66	S2091-7		109A-11	S2155-1		36 -12
S2000C201J		109 -13	S2091-7		110A-11	S2160-1		98 -73
S2000C201J		109A-11	S2092-1		88 -32	S2160-1		99 -75

# 182 & T182 Parts Catalog

PART NUMBER	FICHE AND FRAME	FIGURE AND INDEX NO.	PART NUMBER	FICHE AND FRAME	FIGURE AND INDEX NO.	PART NUMBER	FICHE AND FRAME	FIGURE AND INDEX NO.
S2160-1		100 -69	S2226-1		147 -18	S2275BB107		117 -24
S2160-1		101 -64	S2226-1		147 -20A	S2275BB111		117 -17
S2160-1		101A-64	S2226-2		76 -73	S2275BB201		117 -1
S2160-1		102 -72	S2226-2		78 -56	S2275B107		117 -24
S2160-1		102A-69	S2226-2		80 -70	S2275B107		117 -24
S2160-1		166 -29	S2226-2		125 -40	S2275B107		117 -24
S2160-1		185 -6	S2226-2		125 -41	S2275B107		117 -24
S2160-2		98 -72	S2226-2		145A-21	S2275B111		117 -17
S2160-2		99 -74	S2234-2		99 -37	S2275B111		117 -17
S2160-2		100 -68	S2234-2		100 -33	S2275B111		117 -17
S2160-3		102A-83	S2234-2		101 -33	S2275B111		117 -17
S2160-3		119B-2	S2234-2		101A-32	S2275B111		117 -17
S2160-3		119C-2	S2234-2		102 -34	S2275B127		117 -24
S2161-1		98 -73	S2234-2		102A-32	S2275B201		117 -1
S2161-1		99 -75	S2244-1		187 -15	S2275B201		117 -1
S2161-1		100 -69	S2244-1		187 -25	S2275B201		117 -1
S2178-3-0074		148 -2	S2244-1		187 -40	S2275B201		117 -1
S2178C3-0083		148 -1	S2249-1		1	S2275B201		117 -1
S2191-8-4		58 -33	S2249-2		75 -48	S2275CC107		117 -24
S2191-8-4		59 -22	S2249-2		76 -64	S2275CC107		117 -24
S2195-2		1 -52	S2249-2		77 -45	S2275CC107		117 -24
S2195-2		84 -38	S2249-2		78 -40	S2275CC107		117 -24
S2195-2		118 -14	S2249-2		79 -52	S2275CC111		117 -17
S2195-2		145 -50	S2249-2		80 -61	S2275CC111		117 -17
S2195-4		84 -38	S225-1		5 -16	S2275CC111		117 -17
S2195-4		85 -10	S225-1		5 -17	S2275CC111		117 -17
S2199-3		118 -1	S225-1		6 -11	S2275CC111		117 -17
S2199-3		118A-1	S225-1		6 -12	S2275CC127		117 -24
S2199-4		118 -2	S225-1		28 -26	S2275CC201		117 -1
S2199-4		118A-2	S225-1		28 -26	S2275CC201		117 -1
S2202-3		164 -9	S225-1		29 -51	S2275CC201		117 -1
S2202-3		164 -49	S225-1		29 -51A	S2275CC201		117 -1
S2209-1		146 -14	S225-1		44 -21	S2275CC201		117 -1
S2209-1		154A-40	S225-1		44 -55	S2275DD107		117 -24
S2209-1		164 -54	S225-1		50 -64	S2275DD111		117 -17
S2209-1		171 -62	S225-1		50 -66	S2275EE107		117 -24
S2209-1		180A-21	S225-1		51 -72	S2275EE111		117 -17
S2209-1		180B-24	S225-1		51 -74	S2275EE201		117 -1
S2209-1		182 -91A	S225-2		5 -12	S2275FF107		117 -24
S2209-1		185 -25	S225-2		5 -14	S2275FF111		117 -17
S2209-1		185 -25	S225-2		5 -14	S2275FF201		117 -1
S2209-1		194 -14	S225-2		5 -15	S2275GG107		117 -24
S2209-1		194 -21	S225-2		5 -15	S2275GG111		117 -17
S2209-1		202 -7	S225-2		6 -13	S2275GG201		117 -1
S2209-1		202 -20	S225-2		20 -20	S2275HH107		117 -24
S2209-1		202 -20	S225-2		20 -20	S2275HH111		117 -17
S2209-2		138 -46	S225-2		20 -21	S2275HH201		117 -1
S2209-2		145 -15	S225-2		20 -21	S2275JJ107		117 -24
S2209-2		145A-19	S225-26		19 -29	S2275JJ107		117 -24
S2209-2		153 -26	S225-3		19 -29	S2275JJ111		117 -17
S2209-2		154 -46	S225-3		28 -52	S2275JJ111		117 -17
S2209-2		169 -14	S225-4		9 -38	S2275JJ111		117 -17
S2209-2		170 -20	S225-4F		6 -14	S2275JJ127		117 -24
S2209-2		171 -68	S225-4F		6 -15	S2275JJ201		117 -1
S2209-2		178 -61	S225-5		50 -57	S2275JJ201		117 -1
S2209-2		178 -66	S225-5		51 -60	S2275JJ201		117 -1
S2209-2		179 -9	S225-7		44 -57	S2275KK107		117 -24
S2209-2		180A-9	S225-7		50 -66A	S2275KK111		117 -17
S2209-2		180B-6	S225-7		51 -75	S2275KK201		117 -1
S2209-2		180C-12	S226-2		9 -26	S2275LL107		117 -24
S2209-2		185 -25	S226-2		10 -14	S2275LL111		117 -17
S2209-2		198 -15	S226-2		10 -19	S2275LL201		117 -1
S2209-2		200 -4	S226-2		11 -15	S2275MM107		117 -24
S2209-2		201 -8	S226-2		11 -15	S2275MM111		117 -17
S2209-2		201 -22	S226-2		11 -20	S2275MM111		117 -17
S2209-2		202 -10	S226-2		14 -23	S2275MM127		117 -24
S2209-3		145 -5	S226-2		15 -13	S2275MM201		117 -1
S2209-3		145A-15A	S226-2		15 -17	S2275MM201		117 -1
S2209-3		146 -24	S226-3		44 -21	S2275NN107		117 -24
S2209-3		161 -18	S226-5		9 -26	S2275NN111		117 -17
S2226-1		127 -6	S226-5		11 -15A	S2275NN201		117 -1
S2226-1		139 -30	S2275AA107		117 -24	S2275PP111		117 -17
S2226-1		140 -34	S2275AA111		117 -17	S2275PP127		117 -24
S2226-1		140 -40	S2275AA201		117 -1	S2275PP201		117 -1

# 182 & T182 Parts Catalog

PART NUMBER	FICHE AND FRAME	FIGURE AND INDEX NO.	PART NUMBER	FICHE AND FRAME	FIGURE AND INDEX NO.	PART NUMBER	FICHE AND FRAME	FIGURE AND INDEX NO.
S2275T107		117 -24	S2323-5		147 -15	S2443-2		185 -18
S2275T111		117 -17	S2323-5		147 -37	S2445-1		164 - 4A
S2275T201		117 - 1	S2323-5		181 -23	S2446-32		58 -44
S2275T201		117 - 1	S2323-5		182 -23	S2446-32		59 -43
S2275WD111		117 -17	S2323-5		183 -21	S2446-32		70 -59A
S2275WD127		117 -24	S2326-2		102 -83	S2455-1		83 -16A
S2275WD201		117 - 1	S2326-2		102A-80	S2475-1		199 -15
S2275WG111		117 -17	S2334-3		102 -51	S2475-1		202 -17
S2275WG127		117 -24	S2334-3		102A-49	S2475-2		202 -17
S2275WG201		117 - 1	S2334-3		128 -48	S2477-4		111A- 4
S2275WJ111		117 -17	S2334-4		101 -49	S2478-1		128 -56
S2275WJ127		117 -24	S2334-4		101A-48	S2480-2		201 - 4
S2275WJ201		117 - 1	S2334-4		126 -44	S2480-2		202 - 5
S2275ZZ111		117 -17	S2335-1		125 -42	S2485-1		172A-14
S2275ZZ127		117 -24	S2335-1		128 -49	S2485-1		172A-20
S2275ZZ201		117 - 1	S2352-08-7		104 -20	S2491-1		102 -53
S2275Z107		117 -24	S2352-08-7		104 -23	S2491-1		102A-51
S2275Z107		117 -24	S2352-08-7		104 -47	S2495-3-0144		128 -29
S2275Z111		117 -17	S2352-08-7		105 -21	S2495-4-0150		128 -14
S2275Z111		117 -17	S2352-08-7		105 -24	S2495-4-0202		128 -57
S2275Z201		117 - 1	S2352-08-7		105 -49	S2495-4-0360		138 -41A
S2275Z201		117 - 1	S2352-08-7		105A-20	S2495-4-0480		126 -38
S2280-3-58		137 - 4	S2352-08-7		105A-24	S2495-6-0116		128 -28
S2281-1		102 -80	S2352-08-7		105A-53	S2495-6-0150		128 -28
S2281-1		102A-77	S2352-08-7		106A-20	S2495-6-106		171 -17
S2287-1		83 -21	S2352-08-7		106A-23	S2495-8-0290		128 -23
S2294-125		165 -36	S2352-08-7		106A-52	S2495-8-0304		138 -32
S2294-25		159 -9A	S2357-1		9 -44	S2495-8-0382		128 -21
S2294-25		165 -36	S2357-1		170 -26	S2495-8-170		170 -50
S2295A25-130		165 -36	S2357-1		171 -53	S2501-4		180 -18
S2295P25-67		159 - 8	S2357-1		180 -20	S2501-4		180 -18
S2295P25-71		159 - 9	S2357-3		16 -19	S2501-4		180 -19
S2300-1		176A-17	S2357-3		170 -27	S2501-4		180A-18
S2300-14		119C-14	S2357-3		170 -28	S2501-4		180A-19
S2300-14		140 -43	S2357-3		170 -28A	S2501-4		180A-25
S2300-14		194 -12	S2357-3		171 -71	S2501-4		180B-17
S2300-14		194 -13	S2357-3		171 -74	S2501-4		180B-19
S2300-2		125 -24	S2359-1		9 -78	S2501-4		180B-21
S2300-2		126 -41	S2361-1		138 -30	S2501-6		180 -13
S2300-3		125 -22	S2363-2		180 - 4	S2501-6		180 -24
S2300-4		69 -36	S2363-2		180 - 6	S2501-6		180 -25
S2300-4		70 -36	S2363-2		180A- 3	S2501-6		180A-13
S2300-6		140 -38	S2363-2		180B- 2	S2501-6		180A-26
S2300-6		194 -11	S2363-2		180C- 2	S2501-6		180A-40
S2301-3-1		87 - 9	S2363-3		178 -38	S2501-6		180B-10
S2303P2-4		185 -51	S2363-3		179 -33A	S2501-6		180B-15
S2319-2		124 -32	S2363-3		180 - 1A	S2502-1		180 -15
S2319-20		124 -29	S2364-2		9 -42	S2502-1		180 -21
S2319-20		124 -30	S237-2		9 -35	S2502-1		180A-15
S2319-20		124 -32	S237-2		9 -36	S2502-1		180A-29
S2319-21		123 -10	S237-2		14 -21	S2502-1		180B-13
S2319-21		124 -31	S237-2		14 -22	S2502-3		180 -15
S2319-3		124 -29	S237-4		19 -27	S2502-3		180 -22
S2319-4		123 -10	S237-7		19 -28	S2502-3		180A-15
S2319-5		124 -30	S2384-1		169 -40	S2502-3		180A-30
S2319-5		124 -31	S2384-1		170 -47	S2502-3		180B-12
S2319-50		37 -30	S2385-5		172 - 9	S2502-5		180B-12A
S2319-50		123 -31	S2385-5		172A- 9	S2503-1		180 -16
S2319-50		124 - 4	S2389-7		164 - 7	S2503-1		180A-16
S2319-50		124 - 9	S2397-1		19 -10	S2503-2		180 -23
S2319-50		124 -20	S2398-1		19 - 8	S2503-2		180A-39
S2323-1		139 -33	S2404-1		139 - 7	S2504-1		180 -26
S2323-1		140 -31	S2413-1		102 -29	S2504-1		180A-27
S2323-11		127 -19	S2413-1		102A-27	S2504-3		180A-28
S2323-3		127 - 5	S2416-1-31.0		191 -14	S2504-3		180B-18
S2323-3		173 -25	S2416-1-31.0		192 -10	S2506-1		180 -15
S2323-3		174 -25	S2418-1		63 -29	S2506-1		180A-15
S2323-4		125 -39	S2420-1		128 -54	S2506-1		180B-14
S2323-5		125 -11	S2420-2		128 -54	S2510-1		171 -19
S2323-5		144 -41	S2424-1		169 -45	S2515-1		154A-20
S2323-5		145 - 7	S2424-1		170 -50	S2519-1		98 -51
S2323-5		145A-13	S2432-1		28 -35	S2519-1		99 -53
S2323-5		146 -10	S2443-1		185 -18	S2519-1		100 -48
S2323-5		146 -38	S2443-1		185 -18	S2519-2		101 -50



# 182 & T182 Parts Catalog

PART NUMBER	FICHE AND FRAME	FIGURE AND INDEX NO.	PART NUMBER	FICHE AND FRAME	FIGURE AND INDEX NO.	PART NUMBER	FICHE AND FRAME	FIGURE AND INDEX NO.
S2519-2		101A-49	S290D1032		144 -11	S51-8		170 -20
S2519-2		101A-50	S290D1032		145 -63	S51-8-10		169 -14
S2519-2		102 -52	S290D1032		145A-64	S51-8-10		171 -68
S2519-2		102A-50	S290D832		5 -36	S88		129 -24
S2521-1		152 -17	S290D832		5 -39	TCS20B		161 -18
S2521-1		153 -17	S290D832		6 -42	TT-P-1757		1 -14
S2521-1		154 -17	S290D832		6 -44	U3356S1-300		134 -17
S2521-1		154A-16	S292		170 -49	VAL-5-6000		101 -65
S2522-1		195B-7	S292-1		1 -17	VAL-5-6000		101A-65
S2524-1		187 -14	S292-11		1 -17	VAL5-6000		99 -71
S2524-1		187 -24	S292-12		1 -17	VAL5-6000		100 -65
S2524-1		187 -39	S292-12		29 -20	VAL5/600D		98 -68
S2525-1		195 -3	S292-14		1 -17	V3L-3-D9		163 -45
S2535-1		138 -40	S292-14		169 -11B	W98293-3-360		126 -31
S2536-124		146 -28	S292-14		181 -96	X26263		184 -66
S2542-1		141 -26	S292-16		1 -17	X26263		185 -40
S2548-10		180A-7	S292-2		1 -17	Y8562		1 -53
S2548-10		180A-8	S292-2		185 -38	Y8562		20 -22
S2548-10		180B-5	S292-28		1 -17	ZF604		181 -70
S2550-2		98 -57	S292-3		1 -17	ZF604		182 -64
S2550-2		99 -59	S292-4		1 -17	ZF604		183 -57
S2550-2		100 -53	S292-5		1 -17	ZH716		181 -54
S2550-2		101 -52	S292-6		1 -17	ZH716		181 -59
S2550-2		101A-52	S292-8		1 -17	ZH716		182 -52
S2550-2		102 -56	S307-7-0014		128 -41	ZH727-8		181 -55
S2550-2		102A-54	S307-7-0100		128 -37	ZH727-8		182 -53
S2554-10		180C-3	S307-7-0140		128 -39	Z736		181 -58
S2554-10		180C-4	S338-6		156A-29	Z736		182 -56
S2554-10		180C-9	S339-2		156A-29	Z736		183 -87
S2554-10		180C-11	S351		125 -29	0-470-R		126 -1
S2554-10		180C-14	S352		38 -8	0-470-R		126 -1
S2554-10		180C-16	S352-1		39 -14	0-470-S		126 -1
S2559-4-1-065		92 -4	S352-2		39 -11	0-470-S		126 -1
S2559-4-1-0770		96A-13	S354-1		38 -11	0-470-U		126 -1
S2559-4-1-0850		92 -48	S354-1		39 -4	0-470-U		126 -1
S2559-4-1-0850		96A-43	S354-1		39 -13	0-470-U		126 -1
S2559-4-1-1530		93 -3	S354-1		39 -16	0-470-U		126 -1
S2559-4-1-1530		94 -3	S354-1		39 -20	0-470-U		126 -1
S2559-4-1-2500		96A-16	S354-3		169 -40	0-470-U		126 -1
S2559-4-1-3250		96A-47	S354-3		170 -47	0-470-U		126 -1
S2561-1		156A-26	S354-5		38 -20	0-470-U		126 -1
S2565-1		101A-73	S354-5		39 -9	0-540-L3C5D		128 -1
S2571-2		180A-22	S378-1		159 -14	022-30001D0403		148 -3
S2571-2		180B-25	S378-1		164 -27	0310295		162 -4
S2582-1		101A-73	S378-1		164 -32	0310296		162 -3
S2592-1		102A-65	S378-1L		148 -48	0310297-1		162 -5
S2592-2		102A-65	S378-1L		159 -15	0310298-1		162 -6
S2592-3		102A-65	S378-2		159 -28	0310332		162 -17
S2606-2		154A-40	S378-2		163 -17	0310362-5		162 -9
S2608-1		4 -8	S378-3L		158 -43	0310422-1		162 -13
S2611-1-2.10-E80		101A-15	S378-3L		165 -17	0311319-1		83 -26
S2611-1-2.10-E80		102A-16	S378-4		157 -33	0311319-2		83 -26
S2611-1-2.10-E80		109A-3	S378-4		158 -38	0311623-3		83 -30
S2611-1-2.10-E80		110A-3	S378-4		165 -11	0311623-3		88 -40
S2611-1-2.10-156		101A-15	S378-4		165 -22	0311623-3		89 -50
S2611-1-2.10-156		102A-16	S394		157 -44	0312155-10		184 -18
S2611-1-2.10-156		109A-3	S394		163 -23	0312155-10		198 -10
S2611-1-2.10-156		110A-3	S500-1		163 -49	0320105		16 -24
S2611-1-2.50-E80		101A-3	S51-10		1 -15	0322526-10		16 -20
S2611-1-2.50-E80		102A-3	S51-10		178 -33	0400213-6		3 -18
S2611-1-2.50-E80		109A-7	S51-10		179 -35	0400213-6		4 -17
S2611-1-2.50-E80		110A-7	S51-10-48		180 -7	0405027-12		3 -1
S2611-1-2.50-156		101A-3	S51-10-48		180A-4	0405027-13		3 -2
S2611-1-2.50-156		102A-3	S51-10-90		180 -8	0405038-1		3 -62
S2611-1-2.50-156		109A-7	S51-10-90		180A-5	0405038-2		3 -62
S2611-1-2.50-156		110A-7	S51-10-90		180B-3	0405044-1		3 -75
S2619-1		154A-13	S51-12		1 -15	0405044-3-E84		4 -25
S2670-1		9 -81A	S51-12		126 -12	0405044-3-E85		4 -25
S272-205		172 -6	S51-16		1 -15	0405064-1		3 -96
S272-205		172A-6	S51-16-81		128 -7	0405064-3		3 -96
S272-5		75 -70	S51-32		1 -15	0405064-4		3 -97
S272-5		76 -51	S51-4		1 -15	0405072-1		4 -3
S272-5		79 -71	S51-6		1 -15	0405072-2		4 -3
S272-5		80 -39	S51-8		1 -15	0405074-2		4 -4

# 182 & T182 Parts Catalog

PART NUMBER	FICHE AND FRAME	FIGURE AND INDEX NO.	PART NUMBER	FICHE AND FRAME	FIGURE AND INDEX NO.	PART NUMBER	FICHE AND FRAME	FIGURE AND INDEX NO.
0405084-2		4 -55	0413599-1		145 -57	0500228-2		112 -25
0405084-3		4 -56	0413599-1		145A-58	0500228-3		112 -32
0405101-1		4 -44	0413601-1		145 -56	0500228-5		112 -30
0405101-2		4 -45	0413601-1		145A-57	0500265-2		89 -45
0411129		31 - 6	0413601-2		145 -53	0500312-2		116 - 1
0411129		32 - 6	0413601-2		145A-54	0500313-1		116 - 2
0411174-3		40 -16	0413613-1-A59		101A- 2	0501019-1		112 -23
0411174-3		41 -15	0413613-1-A59		101A-14	0501020-1		149 -38
0411185-11		75 -55	0413613-1-A59		102A- 2	0501020-3		149 -39
0411185-11		76 -40	0413613-1-A59		102A-14	0501020-4		149 -40
0411185-11		79 -57	0413613-1-E83		101A- 2	0501022-1		112 -42
0411185-11		80 -43	0413613-1-E83		101A-14	0501111-1		89B- 3
0411307		149 -18	0413613-1-E83		102A- 2	0501111-2		89B- 4
0411307		149A-23	0413613-1-E83		102A-14	0501111-7		145A-24
0411320		33 - 6	0413613-1-279		101A- 2	0501111-8		145A-24
0411420		34 - 6	0413613-1-279		101A-14	0501117-1		89B- 7
0411420		34A- 6	0413613-1-279		102A- 2	0501117-3-532		145A-36
0411420		155 - 6	0413613-1-279		102A-14	0501120-7		89 -61
0411420		156 - 6	0414014-1		40 -17	0501120-8		89 -62
0411420		156A- 6	0414014-2		40 -18	0501123-1		145A-41
0411523		159 -10	0414014-2		41 -16	0501123-2		145A-44
0411524		159 -11	0415010-1		117 -12	0501123-3		145A-44
0411549		149 -13	0415010-1		117 -13	0501123-4		145A-44
0411549		149A-19	0415023-4		88 -14	0501123-5		145A-47
0411550		149 -14	0415023-4		89 -18	0501123-9		145A-43
0411550		149A-20	0415026-4		89 -45	0501125-1		145A-48
0411562		149 -30	0416003-1		28 -56	0501125-4		145A-49
0411562		149A-35	0422229-11		12 -22	0505009-2-E84		4 -21
0411563		149 -29	0422229-12		42 -14	0505009-2-E85		4 -21
0411563		149A-34	0422229-12		43 -17	0505009-3		3 -28
0411564		149 -21	0422229-13		42 -14	0505052-3		3 -38
0411573-1		149 -30	0422229-13		43 -17	0505052-4		3 -39
0411680		40 -34	0422229-17		9 -65	0505052-5		3 -40
0411680		41 -31	0422280		157 - 3	0505054-11		3 -76
0411778-2		149 -10	0422280		157 - 9	0505054-11		4 -28
0411778-4		149 -28	0422291		10 - 4	0505054-12		3 -77
0411778-5		149A-15	0422291		11 - 5	0505054-12		4 -29
0411778-7		149A-32	0422344		56 - 5	0505054-29		4 -41
0411783		148 -40	0426011-8		9 -13	0505054-30		4 -42
0412007-1		184 -54	0431017-2		189 -11	0505055-1		3 -45
0412007-12		200 -11	0432126		159 -20	0505061-1		3 -69
0412007-12		201 - 9	0432134-1		155 -25	0505061-2		3 -69
0412007-12		202 -11	0432134-1		156 -37	0505087-10		4 -14
0412007-6		126 - 2	0432134-1		156A-21	0505087-10		3 -92
0412007-8		128 -45	0432138-6		159 - 8	0505087-11		4 -15
0412496-3		32 -12	0432138-7		159 - 9	0505087-11		3 -93
0413155-12		145 -54	0441139-5		69 -26	0505087-12		4 -16
0413155-13		145A-55	0441139-5		70 -26	0505087-12		3 -94
0413163-18		144 - 7	0441139-6		69 -26	0505087-7		3 -92
0413163-18		145 -43	0441139-6		70 -26	0505087-7		4 -14
0413163-203		144 - 3	0442506-11		62 -39	0505087-8		3 -93
0413163-203		145 -39	0442506-12		62 -29	0505087-8		4 -15
0413163-204		144 - 3	0442506-2		62 -42	0505087-9		3 -94
0413163-204		145 -39	0442506-2		63 -74	0505087-9		4 -16
0413163-27		144 - 5	0442506-9		62 -41	0505097-1		4 -49
0413163-27		145 -41	0450191-3		125 -23	0505100-3		4 -46
0413163-28		144 - 5	0450277-2		135 -97	0505100-4		4 -47
0413163-28		145 -41	0450277-3		135 -96	0505100-5		4 -48
0413163-45		144 - 3	0450286-3		28 -59	0505100-6		4 -49
0413163-46		144 - 3	0450286-3		29 -32	0505101-1		4 -51
0413163-58		144 - 6	0450314		10 - 8	0505102-1		4 -50
0413163-58		145 -42	0450314		144 - 1	0505103-1		4 -54
0413228		144 -12	0450314		145 -37	0510105-113		157 - 7
0413228		145 -60	0453016-1		146 - 1	0510105-13		157 - 7
0413228		145A-61	0453016-2		146 - 1	0510105-177		165 - 1
0413247		16 -30	0453016-3		146 - 1	0510105-178		165 - 2
0413307-13		52 -10	0453017-1		147 - 3	0510105-187		159 - 6
0413307-13		53 -16	0453017-3		146 - 3	0510105-181		158 - 2
0413517-1		116 - 6	0453018-1		147 - 4	0510105-189		158 - 1
0413517-15		116 -13	0453018-2		146 - 4	0510105-190		163 - 2
0413517-3		116 - 8	0453018-3		147 - 5	0510105-191		163 - 7
0413517-5		116 - 9	0453020-1		147 - 6	0510105-192		163 - 1
0413517-7		116 - 6	0453020-2		146 - 2	0510105-193		163 - 1
0413578-1		149A- 1	0500106-173		147 - 7	0510105-194		163 - 6
					175 - 7	0510105-198		159 - 7

# 182 & T182 Parts Catalog

PART NUMBER	FICHE AND FRAME	FIGURE AND INDEX NO.	PART NUMBER	FICHE AND FRAME	FIGURE AND INDEX NO.	PART NUMBER	FICHE AND FRAME	FIGURE AND INDEX NO.
0510105-201		159 - 1	0513292-16		106 -37	0514067-3		84 - 8
0510105-202		159 - 2	0513292-16		111 - 5A	0514067-5		84 - 8
0510105-228		157 - 1	0513292-17		104 -38	0514067-5		85 -11
0510105-231		164 -36	0513292-17		105 -40	0514075-2		91 -17
0510105-233		148 -38	0513292-17		105A-42	0514076-1	<	91 -13
0510105-279		148 -38	0513292-17		106 -38	0514083-1	<	93 - 8
0510105-301		159 - 1	0513292-17		106A-41	0514089-1		94 -44
0510105-302		159 - 2	0513292-18		104 -39	0514089-11		93 -36
0510105-328		157 - 1	0513292-18		105 -41	0514090-4		93 -75
0510105-77		165 - 1	0513292-18		105A-41	0514090-4		94 -84
0510105-78		165 - 2	0513292-18		106 -39	0514099-1		91 -14C
0510105-87		159 - 6	0513292-18		106A-40	0514099-1		92 - 9
0510105-89		158 - 2	0513399-1		170 - 3	0514099-1		94 -11
0510105-90		158 - 1	0513399-1		171 -58	0514099-1		91 -14D
0510105-91		163 - 2	0513420-3		144 -24	0514099-2		92 -10
0510105-92		163 - 7	0513425-8		89 -16	0514099-2		94 -12
0510105-93		163 - 1	0513439-1		180B-29	0514099-3		91 -14B
0510105-94		163 - 6	0513448-1		178 -62	0514099-3		94 -10
0510105-98		159 - 7	0513558-10		92 -63	0514100-1		91 -14A
0510111-11		158 -30	0513558-9		92 -59	0514100-1		92 - 7
0510146-8		56 -32	0513559-1		92 -60	0514100-1	#	94 - 9
0510146-9		56 -36	0513560-11		92 -38D	0514101-1		93 -17
0510205-5		26 -13	0513561-3		92 -57	0514101-1		94 -25
0510205-5		27 -12	0514017-3	<	93 -18	0514101-2		93 -17
0510205-5		117 -22	0514026-2		93 -40	0514101-2		94 -25
0510205-6		26 -12	0514026-2		94 -48	0514102-1	#	94 -13
0510205-6		27 -11	0514026-4		93 -50	0514102-7		91 -14E
0510205-6		117 -22	0514026-4		94 -58	0514102-7	#	92 -12
0510205-7		117 -22	0514027-21		93 -61	0514110-1		91 -14J
0510205-8		117 -22	0514027-21		94 -69	0514110-1		92 -14
0511062-15		5 -20	0514028-5		93 -44	0514110-1		94 -18
0511087-1		89B- 4	0514028-5		94 -52	0514110-1		95 -38A
0511127-0		156 -15	0514028-6		93 -43	0514110-1		96 -25
0511194-4		156 -14	0514028-6		94 -51	0514110-1		96A-27
0511195-1		170 -75	0514029-10		96 -13	0514112-2	<	91 -14G
0511195-1		171 -93A	0514029-11		96 -45	0514112-4	>	92 -15
0511336-1		149A-26	0514029-13		96 -16	0514112-4-279		92 -15
0511797-2		40 -20	0514029-4		96 -41	0514112-4-532		92 -15
0511797-2		41 -17	0514030-4		93 -21	0514121-1		94 -61
0512006-1		9 -85	0514030-4		94 -29	0514121-2		94 -36
0512006-1		16 -14	0514032-1		93 -51	0514131-7		92 -52
0512123		5 - 7	0514032-1		94 -59	0514131-8		92 -52
0512123-0		6 - 7	0514033-1		93 -30	0514147-1		92 -19
0512123-1		5 - 6	0514033-1		94 -38	0514161-1		92 -25
0512123-1		6 - 6	0514033-2		93 -57	0514161-2		92 -27
0512136		157 -49	0514033-2		94 -65	0514163-1		112 -18A
0512136		163 -28	0514034-1		93 -41	0514178-1		112 -19A
0512137		42 -10	0514034-1		94 -49	0514180-1		92 -21
0512137		43 -11	0514035-17		93 -38	0514180-2		92 -21
0512138		157 -48	0514035-17		94 -46	0515002-10		97 -13
0512138		163 -25	0514035-18		93 -39	0515002-9		97 -11
0512167-10		52 - 7	0514035-18		94 -47	0515010-5		117 -14
0512167-10		53 -10	0514035-37		94 -46	0515010-6		117 -15
0512167-16		53 -16	0514035-38		94 -47	0516023-3		170 -62
0512167-17		52 - 8	0514036-1		93 -28	0516023-3		171 -82
0512167-17		53 -11	0514036-1		94 -36	0516024-1		170 -74
0512167-27		52 - 9	0514042-1		97 - 1	0516024-3		171 -93
0512167-29		52 - 6	0514043-2		91 -49	0516025-1		170 -76
0512167-30		52 - 5	0514051-1		94 -45	0516025-1		171 -94
0513039-1		101 -59	0514051-1		93 -37	0516026-1		170 -79
0513052-17		98 -61	0514051-18		94 -45	0516026-1		170 -80
0513052-17		99 -63	0514051-19		94 -45	0516026-1		171 -95A
0513052-17		100 -57	0514051-2		94 -45	0516026-1		171 -96
0513052-20		101 -59	0514051-2		93 -37	0517003-2		81 - 1
0513052-20		102 -60	0514052-1		91 -35	0517021-1		75 -13
0513154-1		148 -37C	0514058-1	<	91 -18	0517021-1		77 -13
0513208-1		190 - 7	0514060-5		93 -27	0517021-1		79 -13
0513208-3		188 -17	0514060-5		94 -35	0517021-4		75 -17
0513292-126		105 -39	0514061-8		84 - 8A	0517021-4		77 -14
0513292-126		105A-40	0514061-8		85 -12	0517021-4		79 -14
0513292-126		106 -37	0514064-1		84 - 9	0517021-5		75 -18
0513292-126		106A-39	0514064-1-532		85 -13	0517021-5		77 -15
0513292-16		104 -37	0514064-3		41 -19	0517021-5		79 -15
0513292-16		105 -39	0514066-1		91 -37	0520005-3		5 -37

# 182 & T182 Parts Catalog

PART NUMBER	FICHE AND FRAME	FIGURE AND INDEX NO.	PART NUMBER	FICHE AND FRAME	FIGURE AND INDEX NO.	PART NUMBER	FICHE AND FRAME	FIGURE AND INDEX NO.
0522200-1		11 - 9	0523400-20		9 -63	0523800-10		18 -24
0523003-40		14 -13	0523400-20		12 -26	0523800-11		18 -24
0523003-40		15 - 5	0523400-21		9 -63	0523800-12		18 -25
0523003-40		15 -14	0523400-21		12 -26	0523800-13		18 -25
0523005-50		12 -28	0523400-96		12 -27	0523800-24		18 -12
0523005-51		12 -28	0523400-97		12 -27	0523800-25		18 -12
0523049-1		9 -62	0523406-10		13 -17	0523800-6		18 -22
0523049-2		9 -62	0523406-11		13 -17	0523800-7		18 -22
0523049-4		9 -62	0523406-2		12 -28	0523800-8		18 -23
0523079-5		9 -70	0523406-3		12 -28	0523800-9		18 -23
0523079-6		9 -70	0523407		7 -38	0523806		18 -13
0523081-1		9 -71	0523407-0		9 -60	0523806-1		18 -13
0523082-1		9 -48	0523407-1		7 -37	0523807		18 -30
0523082-2		9 -50	0523407-1		9 -59	0523808		18 -14
0523082-3		9 -49	0523409-1		12 -24	0523808-2		18 -14
0523082-4		9 -49	0523409-2		12 -25	0523809		18 -15
0523099-1		9 - 6	0523510-25		7 -17	0523809-1		18 -15
0523100-1		9 - 7	0523510-25		8 -10	0523810		18 -16
0523101-3		9 -12	0523510-26		7 -17	0523811		18 -17
0523102-1		9 -39	0523510-26		8 -10	0523811-1		18 -17
0523102-1		9 -39	0523511-15		8 -16	0523813-1		18 -26
0523102-2		9 -40	0523511-4		7 -33	0523813-2		12 -30
0523102-2		9 -40	0523511-6		7 -19	0523813-2		13 -20
0523206-2		12 -28A	0523512-22		8 -18	0523813-3		12 -29
0523206-2		13 -18	0523512-4		7 -34	0523813-3		13 -19
0523206-3		12 -28A	0523536-1		163 -31	0523813-4		12 -31
0523206-3		13 -18	0523536-1		163 -39	0523813-4		13 -21
0523215		12 -34	0523537		19 - 1	0523813-5		12 -32
0523215		13 -24	0523537		163 -33	0523813-5		13 -22
0523215-1		12 -34	0523541-43		14 - 2	0523813-6		18 -28
0523215-1		13 -24	0523541-44		14 - 2	0523813-7		18 -29
0523216		12 -33	0523541-45		14 - 3	0523813-8		18 -27
0523216		13 -23	0523541-45		14 - 6	0523814-8		18 -20
0523219-2		7 -39	0523541-46		14 - 3	0523816-1		18 -30
0523219-2		8 -24	0523541-46		14 - 6	0523816-2		18 -31
0523219-3		7 -39	0523541-47		14 - 4	0523901-10		19 -31
0523219-3		8 -24	0523541-48		14 - 7	0523901-13		19 -17
0523219-6		7 -39	0523541-49		14 - 8	0523901-14		19 -18
0523219-6		8 -24	0523541-50		14 - 8	0523901-17		19 -22
0523219-7		7 -39	0523541-51		15 - 4	0523901-18		19 -22
0523219-7		8 -24	0523541-51		14 - 2	0523901-19		19 -24
0523221		18 - 4	0523541-52		15 - 4	0523901-20		19 -24
0523222		18 - 5	0523541-52		14 - 2	0523901-21		19 -23
0523222		157 -41	0523541-53		15 - 2	0523901-22		19 -23
0523230		7 -32	0523541-53		15 - 9	0523901-33		19 - 6
0523230-0		8 -14	0523541-53		14 - 3	0523901-34		19 - 6
0523230-1		7 -32	0523541-53		14 - 6	0523911-2		19 -14
0523230-1		8 -14	0523541-54		15 - 2	0523911-3		19 -14
0523230-4		7 -32	0523541-54		15 - 9	0523912		19 -21
0523230-4		8 -14	0523541-54		14 - 3	0523912-1		19 -15
0523230-5		7 -32	0523541-54		14 - 6	0523914-2		19 -19
0523230-5		8 -14	0523541-55		15 -10	0523918		19 -25
0523232-2		7 -26	0523541-55		14 - 7	0523919		19 -10
0523232-9		9 -52	0523541-56		15 - 3	0523920		19 - 9
0523233-20		7 -29	0523541-56		14 - 4	0523921		19 - 8
0523233-20		9 -53	0523541-57		15 - 8	0523923		19 -16
0523233-3		7 -31	0523541-57		14 - 8	0541115-2		112 - 7
0523233-3		9 -54	0523541-58		15 - 8	0541115-3		112 - 5
0523233-6		7 -29	0523541-58		14 - 8	0541115-4		112 - 8
0523233-6		9 -53	0523541-59		15 - 3	0541124-1		69 -19
0523233-7		7 -30	0523541-59		14 - 4	0541124-1		70 -19
0523233-7		9 -54	0523541-60		15 -10	0541138-22		150 -
0523307-2		20 - 3	0523541-60		14 - 7	0541138-5		150 - 9
0523309		12 - 2	0523552-2		9 -77	0541139		150 - 5
0523309		13 - 5	0523552-3		9 -77	0541139		150 -22
0523309-1		12 - 2	0523553-5		9 -72	0541140		149 - 8
0523309-1		13 - 5	0523553-6		9 -72	0541140		150 - 1
0523315		12 - 7	0523554-1		9 -73	0541143		150 -12
0523315		13 - 7	0523554-2		9 -74	0541144		150 -11
0523315-1		12 - 7	0523565-21		6 -26	0541148		150 - 8
0523315-1		13 - 7	0523565-22		6 -26	0541148-1		150 -15
0523321		157 -40	0523614-1		20 - 9	0541149		150 - 9
0523400-111		12 -21	0523615-1		20 -12	0541151		150 - 4
0523400-112		12 -21	0523616-1		20 -14	0541157-1		69 -26

# 182 & T182 Parts Catalog

PART NUMBER	FICHE AND FRAME	FIGURE AND INDEX NO.	PART NUMBER	FICHE AND FRAME	FIGURE AND INDEX NO.	PART NUMBER	FICHE AND FRAME	FIGURE AND INDEX NO.
0541157-1		70 -26	0567001		149A- 9	0700099-79		125 -44
0541157-2		69 -26	0570315-1		185 -51	0700099-80		125 -45
0541157-2		70 -26	0570316-1		185 -51	0700099-81		169 -44
0541157-3		69 -26	0582001-1		149A-13	0700099-81		170 -54
0541157-3		70 -26	061-03700		71 -15	0700099-82		175 -16
0541184-2		150 - 6	066-03000		71 -17	0700099-83		175 - 7
0541203-14		69 -49	066-03000		71 -19	0700099-84		98 -56
0541203-15		69 -49	069-00400		71 -24	0700099-84		99 -54
0541205-1		69 -56	0700099-101		170 -53	0700099-84		100 -49
0541205-2		58 -28	0700099-101		176 - 3	0700099-85		169 - 5
0541206-1		69 -54	0700099-104		169 -13	0700099-86		148 -13
0541207-1		69 -55	0700099-105		169 -12	0700099-88		148 -15
0541207-3		58 -27	0700099-106		169 -13A	0700099-89		148 -16
0541207-3		58 -39	0700099-106		170 -18	0700099-90		148 -19
0541207-3		59 -41	0700099-106		171 -66	0700099-92		69 -33
0541221-1		70 -56	0700099-107		169 -12A	0700099-92		70 -33
0541221-2		58 -35	0700099-107		170 -17	0700099-93		69 -33
0541221-2		59 -37	0700099-107		171 -65	0700099-93		70 -33
0541222-1		70 -55	0700099-108		169 -39A	0700099-94		169 -18
0541222-5		58 -40	0700099-108		170 -45	0700099-94		170 -21
0541222-5		59 -42	0700099-108		170 -72	0700099-97		169 -46
0541223-22		70 -49	0700099-110		169 -20A	0700099-97		170 -51
0541223-23		70 -49	0700099-110		170 -24	0700099-98		148 -10
0541223-41		70 -49A	0700099-113		169 -20	0700099-99		148 - 9
0541223-42		70 -49A	0700099-113		170 -23	0700103-131		84 - 4
0543001		58 -15	0700099-114		170 - 2	0700103-131		85 - 5
0543001-0		59 -18	0700099-119		170 -11	0700108-1		40 -62
0543003		58 -17	0700099-119		171 -72	0700108-1		41 -64
0543003-0		59 -20	0700099-120		170 -12	0700108-2		40 -62
0543013-1		28 -13	0700099-120		171 -73	0700108-2		41 -65
0543029		62 -26	0700099-121		170 -13	0700122-12		112 -18
0543032-3		3 -32	0700099-121		171 -69	0700122-13		112 -17
0543032-3		4 -11	0700099-123		171 -60	0700162-1		98 -36
0543032-3		62 -55	0700099-124		171 -61	0700162-1		99 -38
0543037-1		58 -16	0700099-125		170 - 2A	0700162-1		100 -34
0543037-1		59 -19	0700099-125		171 -57	0700162-1		101 -34
0543047-1		62 -31	0700099-126		170 - 5A	0700162-1		101A-33
0543047-1		62 -44	0700099-126		171 -54	0700162-1		102 -35
0543047-1		63 -59	0700099-127		170 -18A	0700162-1		102A-33
0543047-1		63 -77	0700099-127		171 -66A	0700162-3		98 -34
0543065-1		58 -18	0700099-128		170 -18A	0700162-3		99 -36
0543079-12		58 -34A	0700099-128		171 -66A	0700162-3		100 -32
0543079-13		59 -27	0700099-129		170 -21B	0700162-3		101 -32
0543079-14		59 -27	0700099-130		170 -21A	0700162-3		101A-31
0543079-7		58 -34	0700099-131		171 -62A	0700162-3		102 -33
0543084-1		58 -41	0700099-132		171 -61A	0700162-3		102A-31
0543084-1		59 -45	0700099-133		171 -61A	0700162-4		98 -34
0543084-1		70 -60	0700099-15		169 -22	0700162-4		99 -36
0543085-1		58 -42	0700099-15		170 -29	0700162-4		100 -32
0543085-1		59 -46	0700099-15		170 -68	0700162-4		101 -32
0543085-1		70 -61	0700099-16		169 -23	0700162-4		101A-31
0543085-2		58 -42	0700099-16		170 -30	0700162-4		102 -33
0543085-2		70 -61	0700099-16		170 -69	0700162-4		102A-31
0543085-3		58 -42	0700099-2		169 -42	0700162-6		98 -34
0543085-3		70 -61	0700099-2		170 -52	0700162-6		99 -36
0543086-1		58 -43	0700099-2		176 - 2	0700162-6		100 -32
0543086-1		59 -47	0700099-21		169 -20	0700162-6		101 -32
0543086-1		70 -62	0700099-3		169 -43	0700162-6		101A-31
0543087-1		59 -30	0700099-3		170 -53	0700162-6		102 -33
0550209-1		126 -37	0700099-3		176 - 3	0700162-6		102A-31
0550209-1		128 -61	0700099-34		169 -39	0700162-7		98 -34
0550341-1		120 -13	0700099-37		101 -49	0700162-7		99 -36
055050-1DEV	e	150 -15	0700099-37		101A-48	0700162-7		100 -32
0552161-2		184 -13A	0700099-37		102 -51	0700162-7		101 -32
0552161-2		198 - 5	0700099-37		102A-49	0700162-7		101A-31
0552161-4		184 -11	0700099-37		127 -33	0700162-7		102 -33
0552161-4		198 - 1	0700099-37		177 -11	0700162-7		102A-31
0552173-3		123 -12	0700099-45		126 -14	0700164-6		114 - 1
0552173-31		124 -21	0700099-46		169 - 8	0700189-9		98 -35
0552173-33		124 -48	0700099-46		170 - 6	0700315-4		112 -23
0552173-4		123 -18	0700099-46		171 -55	0700612-2		112 -12
0553010-1		199 -11	0700099-47		169 - 9	0700612-3		112 -15
0555265-1		136 -67	0700099-47		170 - 5	0700628-5		188 - 6
0556018-2		128 -24	0700099-78		125 -43	0700633-5		93 -46

# 182 & T182 Parts Catalog

PART NUMBER	FICHE AND FRAME	FIGURE AND INDEX NO.	PART NUMBER	FICHE AND FRAME	FIGURE AND INDEX NO.	PART NUMBER	FICHE AND FRAME	FIGURE AND INDEX NO.
0700633-6		94 -54	0705021-2		3 -19	0705093-2		4 -43
0700653-1		85 - 4	0705022-1		3 -29	0705093-2		170 -65
0700653-2		84 - 3A	0705022-1		4 -22	0705093-2		171 -85
0700668-13		88 -15	0705023-10		3 -72	0705093-3		4 -43
0700668-13		89 -19	0705023-12		3 -73	0705093-3		170 -84
0700668-14		88 -16	0705023-8		3 -20	0705093-3		171 -85A
0700668-14		89 -20	0705023-9		3 -21	0705096-1		4 -52
0700678-33		95 - 9	0705024-4		3 -24	0705096-2		4 -52
0700678-34		95 - 9	0705025-1		3 -30	0705096-3		4 -53
0700685-3		75 -26	0705025-1		4 -10	0705096-4		4 -53
0700685-3		86 - 8	0705028-1		152 -29	0705097-1		3 -99A
0700685-4		79 -76	0705028-1		153 -37	0705097-1		4 -57
0700685-4		86 - 8	0705028-3		3 -26	0705098-1		3 -99B
0700688-1		44 -46	0705028-3		4 -20	0705098-1		4 -58
0700688-3		40 -69	0705035-1		3 - 9	0705182-3		3 -44
0700688-3		44 -46	0705036-2		3 -27	0705183-1		3 -74
0700692-1		10 - 9	0705038-1		3 - 3	0705185-1		3 -87
0700692-1		11 -10	0705038-2		3 - 4	0705186-1		3 -63
0700696-1		181 -79	0705039-1		3 - 5	0705186-2		3 -64
0700696-1		182 -73	0705039-2		3 - 6	0705186-3		3 -65
0700696-2		181 -74	0705039-3		3 - 7	0705186-4		3 -66
0700696-2		182 -68	0705039-4		3 - 8	0705186-5		3 -67
0700702-21		84 -13	0705042-1		87 - 6	0705186-6		3 -68
0700702-5	^	88 -26	0705042-1	<	86 - 3	0705186-7		3 -68
0700704-1		31 -33	0705042-2		87 - 6	0705186-8		3 -68
0700704-1		32 -37	0705042-2	<	86 - 3	0705186-9		3 -68
0700705-3		48 -10	0705047-1		3 -48	0705190-1		4 -11
0700705-4		48 -11	0705047-2		3 -49	0705191-1		3 -99E
0700707-11		84 -22	0705047-3		3 -50	0705191-4		3 -99F
0700707-5		84 -27	0705047-4		3 -51	0710013-4		144 -23
0700707-6		84 -24	0705047-5		3 -52	0710014-12		144 -26
0700707-8		84 -26	0705047-6		3 -53	0710014-15		144 -25
0700730-1		181 -97B	0705048-25		3 -14	0710014-8		144 -32
0700730-2		181 -98	0705048-25		169 -31	0710015-13		144 -30
0700761-6		188 -27	0705048-25		170 -37	0710015-13		145A -35
0700762-22		90 - 6	0705048-26		3 -15	0710015-6		144 -34
0700762-22		90A-14	0705048-26		169 -31	0710019-1		41 -23
0700762-23		90 - 7	0705048-32		3 -95	0710036-1		44 - 2
0700762-23		90A-15	0705048-32		4 -33	0710036-2		44 - 3
0700762-26		84 - 1	0705048-32		171 -36	0710312-2		95 -12
0700762-26		85 - 1	0705051-1		3 -43	0710601-29		40 - 8
0700762-27		84 - 2	0705051-1		4 -23	0710601-30		40 - 9
0700762-27		85 - 2	0705055-4		3 -55	0710601-37		40 - 8
0700762-32		90 -19	0705055-5		3 -56	0710601-38		40 - 9
0700762-32		90A-20	0705055-6		3 -57	0710601-47		40 - 8
0700762-9		90 - 5	0705057-1		3 -58	0710601-47		41 - 8
0700762-9		90A- 7	0705057-2		3 -59	0710601-48		40 - 9
0701017-200		40 -13	0705065-1		3 -70	0710601-48		41 - 9
0701017-201		40 -13	0705065-2		3 -71	0710602-1		40 - 3
0701017-202		41 -12	0705071-1		3 -80	0710602-2		40 - 4
0701017-203		41 -12	0705071-3		3 -81	0710602-41		41 - 3
0701028-2		166 -39	0705071-5		3 -89	0710602-42		41 - 4
0701036-2		184 -19	0705071-5		4 - 9	0710602-7		40 - 7
0701036-2		198 -12	0705072-1		3 -85	0710603-3		41 - 7
0701072-1		118 -15	0705072-2		3 -86	0710603-4		40 - 7
0701073-1		118 - 4	0705072-5		3 -85	0710603-4		41 - 7
0701073-2		118 - 5	0705072-6		3 -86	0710605-200		40 -12
0701074-1		118 -10	0705077-1		3 -98	0710605-201		40 -12
0701074-10		118 -11	0705077-2		3 -98	0710605-202		41 -11
0701075-1		118 - 8	0705077-3		3 -99	0710605-203		41 -11
0701076-1		118 -19	0705077-4		3 -99	0710606-10		44 - 3
0701076-2		118 -21	0705078-3-E84		4 -27	0710606-15		44 - 2
0701076-3		118 -17	0705078-3-E85		4 -27	0710606-16		44 - 3
0701079-1		118 -22	0705078-4-E84		4 -27A	0710606-9		44 - 2
0701126-1		115 - 4	0705078-4-E85		4 -27A	0710608-1		45 -18
0701126-2		115 - 4	0705084-1		3 -91	0710609-11		44 -61
0701130-1		183 -67	0705084-4-E84		4 -31	0710609-7		44 -61
0701130-2		183 -68	0705084-4-E85		4 -31	0710609-9		44 -59
0701137-1		145A-29	0705089-1		4 - 1	0710610-6		44 - 7
0701137-2		145A-29	0705089-2		4 - 1	0710610-7		44 - 6
0701138-1		145A-31	0705089-3		4 - 2	0710611-3		45 -19
0701139-2		118A- 5	0705089-4		4 - 2	0710611-4		45 -17
0705020-1		3 -31	0705090-3		4 -13	0710612-5		44 - 4
0705020-1		4 -38	0705091-2		4 -34	0710612-6		44 - 4

# 182 & T182 Parts Catalog

PART NUMBER	FICHE AND FRAME	FIGURE AND INDEX NO.	PART NUMBER	FICHE AND FRAME	FIGURE AND INDEX NO.	PART NUMBER	FICHE AND FRAME	FIGURE AND INDEX NO.
0710612-7		44 - 4	0710705-1		44 - 1	0711066-6		31 - 1
0710612-8		44 - 4	0711021-1		75 -29	0711066-6		32 - 1
0710613-1		44 - 8	0711021-1		76 -43	0711066-7		32 - 1
0710614-5		44 -17	0711021-1		79 -49	0711083-1		97 -15
0710615-1		45 -15	0711021-1		80 -51	0711083-1		112 - 4
0710615-2		45 -16	0711021-4		75 -58	0711111-1		83 -10
0710616-1		45 -13	0711021-4		76 -38	0711604-11		42 - 8
0710616-2		45 -14	0711021-4		79 -55	0711604-11		43 - 9
0710629-1		40 -10	0711021-4		80 -46	0711604-12		42 - 8
0710629-1		41 -10	0711021-9		75 -57	0711604-12		43 - 9
0710629-2		40 -10	0711021-9		76 -37	0711604-213		42 - 3
0710629-2		41 -10	0711021-9		79 -50	0711604-214		42 - 4
0710633-1		44 -63	0711021-9		80 -45	0711604-215		42 -
0710634-1		44 -62	0711033-1		75 -23	0711604-216		42 -
0710638-1		26 -14	0711034-1		75 -44	0711604-217		42 -
0710638-1		27 -13	0711034-1		77 -23	0711604-218		43 -
0710638-1		75 -77	0711034-1		79 -26	0711604-219		43 - 3
0710638-1		77 -55	0711037-14		77 -39	0711604-220		43 - 4
0710656-1		44 - 9	0711037-14		78 -23	0711604-221		43 -
0710656-2		44 - 9	0711037-14		79 -43	0711604-52		42 -24
0710657-1		44 - 9	0711037-14		80 -25	0711604-52		43 -29
0710657-2		44 - 9	0711037-15		75 -51	0711604-53		42 -24
0710658-2		44 -65	0711037-15		76 -28	0711604-53		43 -29
0710661-1		44 -72	0711037-16		77 -40	0711604-55		42 -15
0710661-3		44 -73	0711037-16		78 -24	0711604-56		42 -15
0710662-1		44 -86	0711037-16		79 -44	0711604-71		43 -18
0710662-2		44 -87	0711037-16		80 -26	0711604-72		43 -18
0710662-3		44 -82	0711037-17		75 -50	0711605-201		42 - 9
0710663-1		44 -76	0711037-17		76 -29	0711605-202		42 - 9
0710663-2		44 -77	0711037-18		77 -41	0711605-203		42 - 9
0710664-1		44 -74	0711037-18		78 -25	0711605-203		43 -10
0710664-2		44 -75	0711037-18		79 -45	0711605-204		43 -10
0710700-10		44 -70	0711037-18		80 -27	0711606-5		42 -13
0710700-11		44 -70	0711037-19		75 -53	0711606-5		43 -16
0710700-16		44 -20	0711037-19		76 -30	0711606-6		42 -13
0710700-2		44 -20	0711037-20		77 -42	0711606-6		43 -16
0710700-200		45 -	0711037-20		78 -26	0711607-1		41 -43
0710700-201		40 -	0711037-20		79 -46	0711608-11		44 -49
0710700-202		40 -	0711037-20		80 -28	0711608-12		44 -50
0710700-203		40 -	0711037-21		75 -52	0711608-14		44 -47
0710700-204		40 -	0711037-21		76 -31	0711608-16		44 -47
0710700-205		40 -	0711038-1		75 -54	0711608-4		44 -48
0710700-206		40 -	0711038-1		76 -32	0711610-1		40 -60
0710700-207		40 -	0711038-1		77 -43	0711610-1		41 -62
0710700-208		40 -	0711038-1		78 -27	0711610-2		40 -60
0710700-209		41 -	0711038-1		79 -47	0711610-2		41 -62
0710700-210		41 -	0711038-1		80 -29	0711611-2		44 -34
0710700-211		41 -	0711050-15		75 -61	0711613-5		44 -29
0710700-212		41 -	0711050-15		76 -47	0711613-6		44 -30
0710700-213		45 -	0711050-15		79 -61	0711614-7		44 -27
0710700-214		41 -	0711050-15		80 -35	0711614-9		44 -28
0710700-215		41 -	0711050-17		75 -59	0711615-1		40 -61
0710700-3		44 -70	0711050-18		75 -60	0711615-1		41 -63
0710700-4		44 -	0711050-18		76 -45	0711615-1		48 -12
0710700-4		44 -70	0711050-28		79 -59	0711615-1		49 -15
0710700-5		44 - 5	0711050-33		79 -60	0711615-2		40 -61
0710701-1		45 -19	0711050-33		80 -33	0711615-2		41 -63
0710701-10		45 -19	0711050-39		75 -59	0711615-2		48 -12
0710701-2		45 -20	0711050-39		76 -44	0711615-2		49 -15
0710701-3		45 -21	0711050-40		79 -59	0711618-4		40 -53
0710701-4		45 -22	0711050-40		80 -32	0711618-4		41 -55
0710701-5		45 -23	0711050-5		79 -63	0711618-4		83 -23
0710701-6		45 -24	0711051-5		75 -62A	0711618-5		83 -23
0710701-7		45 -24	0711051-6		75 -62A	0711618-6		40 -54
0710701-8		45 -20	0711051-6		76 -46	0711618-6		41 -56
0710701-9		45 -21	0711051-6		80 -34	0711618-6		83 -22
0710702-1		44 -13	0711051-7		75 -62A	0711620-1		41 -58
0710702-2		44 -14	0711051-7		79 -63	0711620-1		44 -45
0710703-1		44 -15	0711064-5		75 -45	0711620-1		83 -25
0710703-2		44 -16	0711064-5		77 -25	0711628-1		40 -56
0710703-3		44 -18	0711064-5		79 -28	0711628-1		41 -60
0710703-4		44 -19	0711066-10		32 - 1	0711628-1		83 -28
0710704-1		44 -22	0711066-2		31 -12	0711628-2		40 -57
0710704-2		44 -22	0711066-2		32 -12	0711628-2		41 -61

# 182 & T182 Parts Catalog

PART NUMBER	FICHE AND FRAME	FIGURE AND INDEX NO.	PART NUMBER	FICHE AND FRAME	FIGURE AND INDEX NO.	PART NUMBER	FICHE AND FRAME	FIGURE AND INDEX NO.
0711628-2		83 -29	0711688-13		44 -39	0711800-21		48 -17
0711632-7		44 -52	0711688-14		44 -40	0711800-21		49 -18
0711642-2		44 -66	0711688-17		44 -25	0711800-22		26 - 9
0711643-1		83 - 4	0711688-18		44 -26	0711800-22		27 - 8
0711647-1		44 -35	0711688-7		44 -41	0711800-22		48 -18
0711651-1		83 -27	0711688-8		44 -42	0711800-22		49 -19
0711665-1		42 - 7	0711690-5		40 -68	0711800-3		44 -44
0711665-1		43 - 8	0711690-5		44 -67	0711800-4		44 -43
0711665-2		42 - 7	0711690-6		40 -68	0711800-5		40 -51
0711665-2		43 - 8	0711690-6		44 -67	0711800-6		40 -52
0711667-1		91 - 5	0711694-11		42 -16	0711800-7		26 - 8
0711667-1		95 -29	0711694-12		42 -16	0711800-7		48 -17
0711668-1		91 - 4	0711694-15		42 -16	0711800-8		26 - 9
0711668-1		95 -27	0711694-16		42 -16	0711800-8		48 -18
0711671-10		40 -59	0711694-25		42 -16	0711800-9		40 -28
0711671-10		41 -54	0711694-26		42 -16	0711800-9		41 -25
0711671-9		40 -58	0711694-27		42 -16	0711804-1		88 -42
0711671-9		41 -53	0711694-28		42 -16	0711804-2		88 -42
0711673-1		40 -55	0711695-11		42 -20	0711804-3		88 -43
0711673-1		41 -57	0711695-12		42 -20	0711804-4		88 -43
0711673-1		83 -24	0711695-13		42 -18	0711804-5		88 -44
0711674-3		44 -36	0711695-14		42 -17	0711828-1		145 -24
0711676-3		40 -39	0711701-1		40 -65	0711828-2		145 -25
0711676-6		40 -41	0711701-1		41 -68	0711829-5		145 -22
0711676-7		40 -39	0711705-1		83 -17	0711829-5		183 -88
0711676-8		41 -41	0711709-1		83 -18	0711829-6		145 -23
0711676-9		41 -39	0711775-1		97 -19	0711829-6		183 -88
0711677-1		40 -29	0711776-1		40 -64	0711848-1		145 -35
0711677-2		40 -30	0711776-1		41 -67	0711848-2		145 -36
0711677-3		118 -18	0711776-2		40 -64	0711854-1		97 -19
0711677-4		118 -20	0711776-2		41 -67	0711854-4		97 -19
0711677-5		40 -29	0711777-1		188 -15	0711855-1		83 - 1A
0711677-5		41 -26	0711777-3		188 -15	0712031-1		185 -34
0711677-6		40 -30	0711778-14		188 - 1	0712031-2		184 -60
0711677-6		41 -27	0711778-15		188 - 1	0712054-1		54 -14
0711677-7		118 -18	0711778-5		188 - 1	0712054-1		55 -11
0711677-8		118 -20	0711778-7		188 - 1	0712058-1		54 -10
0711678-1		41 -28	0711778-9		188 - 1	0712058-1		55 - 7
0711678-2		41 -29	0711779-1		185 - 1	0712059-1		54 -12
0711678-3		40 -31	0711779-1		184 - 1	0712059-1		55 -10
0711678-4		40 -32	0711779-2		185 - 1	0712069-1		51 -12
0711678-5		118 -16	0711780-3		188 -22	0712069-2		51 -15
0711678-6		118 -16	0711781-1		40 -22	0712069-3		51 -12
0711679-3		40 -35	0711781-1		41 -20	0712069-4		51 -12
0711679-4		40 -35A	0711781-1		188 -11	0712071-1		53 - 8
0711679-4		41 -32	0711781-2		40 -23	0712073-1		53 -12
0711680-1		48 -13	0711781-2		41 -21	0712073-2		53 -12
0711680-1		49 -13	0711781-2		188 -12	0712074-1		54 -
0711680-2		48 -14	0711788-1		81 - 4	0712075-1		201 -13
0711680-2		49 -14	0711790-1		83 -11	0712075-1		202 -23
0711680-3		48 -10	0711790-2		83 -13	0712076-1		201 - 6
0711680-3		49 -10	0711791-1		83 - 1	0712077-200		51 -
0711680-4		48 -11	0711793-1		40 -40	0712078-1		55 -
0711680-4		49 -12	0711793-1		41 -40	0712079-2		185 -24
0711680-5		48 -15	0711793-2		40 -42	0712079-2		202 -19
0711680-5		49 -16	0711793-2		41 -42	0712079-4		185 -24
0711681-1		40 -36	0711793-5		40 -40	0712079-4		199 -17
0711681-1		48 - 4	0711793-5		41 -40	0712079-4		202 -19
0711681-1		49 - 4	0711793-6		40 -42	0712081-1		55 - 2
0711681-3		48 - 2	0711793-6		41 -42	0712306-5		56 -28
0711681-4		48 - 3	0711800-10		48 - 1	0712503-3		50 -14
0711682-3		84 -14	0711800-11		48 - 8	0712503-4		50 -15
0711683-1		40 -25	0711800-11		49 - 8	0712503-5		50 -16
0711684-1		40 -33	0711800-12		48 - 9	0712503-6		50 -13
0711684-1		41 -30	0711800-12		49 - 9	0712503-8		51 -12
0711684-3		118 -16	0711800-16		44 -43	0712504-10		50 -52
0711685-1		26 -10	0711800-18		48 - 1	0712504-10		51 -51
0711685-13		26 -10	0711800-18		49 - 1	0712504-203		50 -
0711685-13		27 - 9	0711800-19		40 -51	0712504-204		50 -
0711685-14		26 -11	0711800-19		41 -70	0712504-205		50 -
0711685-14		27 -10	0711800-20		40 -52	0712504-3		50 -51
0711685-2		26 -11	0711800-20		41 -71	0712504-3		51 -50
0711688-11		44 -23	0711800-21		26 - 8	0712504-4		50 -49
0711688-12		44 -24	0711800-21		27 - 7	0712504-4		51 -48



# 182 & T182 Parts Catalog

PART NUMBER	FICHE AND FRAME	FIGURE AND INDEX NO.	PART NUMBER	FICHE AND FRAME	FIGURE AND INDEX NO.	PART NUMBER	FICHE AND FRAME	FIGURE AND INDEX NO.
0712504-5		50 -50	0712609-7		51 - 9	0712627-5		50 -34
0712504-6		50 -50	0712610-1		51 - 5	0712627-5		51 -33
0712504-7		50 -48	0712610-2		50 - 5	0712627-6		50 -35
0712504-7		51 -47	0712610-2		51 - 5	0712627-6		51 -34
0712505-3		40 -44	0712610-3		50 - 5	0712627-9		50 -30
0712506-1		50 -60	0712610-3		51 - 5	0712627-9		51 -29
0712506-3		51 -68	0712610-4		50 - 5	0712636-1		56 -24
0712507-1		50 -61	0712610-5		50 - 6	0712639-3		44 -11
0712507-2		50 -62	0712610-5		51 - 6	0712640-10		44 -38
0712507-2		51 -70	0712610-8		51 - 5	0712640-7		44 -37
0712507-3		51 -69	0712611-1		51 - 4	0712640-8		44 -38
0712508-1		181 -77	0712611-2		50 - 4	0712640-9		44 -37
0712508-1		182 -71	0712611-2		51 - 4	0712646-2		50 -19
0712509-1		50 -69	0712611-3		50 - 4	0712647-3		50 -24
0712509-1		51 -78	0712611-3		51 - 4	0712647-3		51 -24
0712510-1		50 -67	0712611-4		50 - 4	0712647-4		50 -25
0712510-1		51 -76	0712611-4		51 - 4	0712647-4		51 -25
0712511-2		50 -11	0712612-1		51 - 2	0712648-1		40 -37
0712511-3		51 - 9	0712612-2		50 - 2	0712648-1		41 -37
0712511-4		50 -11	0712612-2		51 - 2	0712648-2		40 -38
0712511-4		51 -10	0712612-3		50 - 2	0712648-2		41 -38
0712511-5		50 -12	0712612-3		51 - 2	0712650-1		56 -29
0712511-5		51 -11	0712612-4		50 - 2	0712651-1		48 - 5
0712512-1		50 -16A	0712612-4		51 - 2	0712651-2		48 - 6
0712512-1		51 -13	0712612-5		51 - 3	0712653-1		50 -20
0712512-2		50 -16B	0712612-6		50 - 3	0712653-10		51 -19
0712512-2		51 -14	0712612-6		51 - 3	0712653-11		51 -20
0712513-1		52 - 1	0712612-7		50 - 3	0712653-12		51 -21
0712513-4		52 - 5	0712612-7		51 - 3	0712653-2		50 -21
0712513-5		53 - 1	0712612-8		50 - 3	0712653-3		50 -22
0712513-5		54 - 1	0712612-8		51 - 3	0712653-4		50 -23
0712513-7		53 - 5	0712613-2		50 - 7	0712653-9		51 -18
0712513-7		54 - 6	0712613-2		51 - 7	0712654-1		40 -50
0712513-8		55 - 5	0712613-4		50 - 8	0712654-2		40 -50
0712513-9		55 - 1	0712613-4		51 - 8	0712655-1		53 - 7
0712514-1		50 -65	0712615-3		56 -15	0712655-1		54 - 9
0712514-1		51 -73	0712615-5		56 -15	0712655-1		55 - 6
0712515-1		50 -70	0712618-3		56 - 9	0712665-1		44 -54
0712515-1		51 -79	0712618-4		56 - 9	0712665-2		44 -54
0712516-1		50 -12	0712619-2		56 - 8	0712748-1		112 -33
0712516-1		51 -11	0712621-7		56 -26	0712748-2		112 -34
0712517-1		50 -17	0712621-8		56 -27	0712749-1		112 -36
0712517-2		50 -17	0712625-4		40 -43	0712749-2		112 -36
0712519-1		50 -76	0712626-4		50 -63	0712750-1		112 -35
0712519-1		51 -42	0712626-4		51 -71	0712750-2		112 -35
0712519-2		50 -77	0712627-1		50 -38	0712751-1		112 -37
0712519-2		51 -43	0712627-1		51 -37	0712752-1		112 -37
0712520-1		50 -74	0712627-10		50 -31	0712753-1		50 -10
0712520-1		51 -67	0712627-10		51 -30	0712753-1		51 -10
0712520-2		50 -75	0712627-2		50 -39	0712753-1		181 -87
0712520-2		51 -67	0712627-2		51 -38	0712753-1		182 -80
0712521-1		56 -23	0712627-21		50 -40	0712753-2		50 -10
0712522-3		56 -12	0712627-21		51 -39	0712753-2		51 -10
0712522-5		56 -12	0712627-22		50 -41	0712753-2		181 -87
0712523-1		56 - 1	0712627-22		51 -40	0712753-2		182 -80
0712524-1		56 -10	0712627-24		50 -18	0712754-1		181 -86
0712524-2		56 -10	0712627-24		51 -16	0712754-1		182 -79
0712525-2		56 -	0712627-25		50 -32	0712754-2		181 -86
0712525-3		56 -11	0712627-25		51 -31	0712754-2		182 -79
0712525-5		56 -	0712627-26		50 -33	0712755-1		181 -82
0712526-1		56 -13	0712627-26		51 -32	0712755-1		182 -76
0712526-2		56 -14	0712627-3		50 -36	0712755-2		181 -83
0712527-1		50 -47	0712627-3		51 -35	0712755-2		182 -76
0712527-1		51 -41	0712627-36		51 -28	0712756-1		181 -88
0712528-1		56 - 3	0712627-37		51 -27	0712756-1		182 -81
0712530-1		50 -79	0712627-39		50 -28	0712756-2		181 -88
0712605-201		184 -50	0712627-39		51 -26	0712756-2		182 -81
0712607-6		50 -71	0712627-4		50 -37	0712757-1		40 -49
0712607-6		51 -80	0712627-4		51 -36	0712757-1		41 -49
0712607-8		50 -42	0712627-40		50 -29	0712757-2		40 -49
0712607-8		51 -62	0712627-41		50 -26	0712757-2		41 -49
0712607-9		50 -45	0712627-41		51 -22	0712757-5		40 -49
0712607-9		51 -65	0712627-42		50 -27	0712757-5		41 -49
0712609-7		50 - 9	0712627-42		51 -23	0712758-1		44 -33

# 182 & T182 Parts Catalog

PART NUMBER	FICHE AND FRAME	FIGURE AND INDEX NO.	PART NUMBER	FICHE AND FRAME	FIGURE AND INDEX NO.	PART NUMBER	FICHE AND FRAME	FIGURE AND INDEX NO.
0712759-5		44 -32	0713290-2		35 -19	0713346-1		101 - 6
0712765-2		200 - 5	0713296-1		28 -47	0713346-1		101A- 6
0712765-2		201 -19	0713296-1		29 -39	0713346-1		102 - 6
0712765-3		185 -24	0713307-1		141 - 8	0713346-1		102A- 6
0712765-3		202 -19	0713307-1		146 -14	0713346-1		108 - 9
0712768-1		51 -87	0713307-2		141 - 9	0713346-1		109 - 9
0713003-74		38 -16	0713307-2		164 -52	0713346-1		109A- 8
0713011-12		112 -19	0713307-8		146 -14	0713346-1		110A- 8
0713019-24		146 -36	0713314-1		155 -20	0713346-2		100 - 5
0713019-24		147 -35	0713314-1		156 -32	0713346-2		108 - 9
0713019-86		84 - 3	0713314-1		156A-16	0713346-2		109 - 9
0713019-86		85 - 3	0713315-6		155 -13	0713346-2		101 - 5
0713032-1		155 - 4	0713315-6		156 -25	0713346-6		109 - 9
0713032-1		156 - 4	0713315-6		156A- 9	0713346-6-A59		101 - 5
0713032-1		156 - 9	0713325-1		98 -23	0713346-6-A59		101A- 5
0713032-1		156A- 4	0713326-1		103 -26	0713346-6-A59		102 - 5
0713032-1		156A- 8	0713326-3		103 -26	0713346-6-A59		102A- 5
0713047		3 -10	0713326-3		104 -24	0713346-6-A59		109A- 8
0713047		26 -13	0713326-3		105 -25	0713346-6-A59		110 -10
0713047-0		4 - 7	0713326-3		106 -25	0713346-6-A59		110A- 8
0713070-19		148 -46	0713326-7		105A-25	0713346-6-279		101 - 5
0713070-20		148 -53	0713326-7		106A-24	0713346-6-279		101A- 5
0713070-24		148 -37B	0713330-3		98 - 6	0713346-6-279		102 - 5
0713070-32		148 -31	0713330-3		99 - 7	0713346-6-279		102A- 5
0713070-6		148 -37	0713334-10		28 -	0713346-6-279		109A- 8
0713070-9		148 -45	0713334-11		28 -	0713346-6-279		110 -10
0713074-1		91 - 1	0713334-12		28 -	0713346-6-279		110A- 8
0713074-1		92 - 1	0713334-13		28 -	0713347-1		103 - 5
0713074-1		93 - 1	0713334-14		28 -	0713347-1		104 - 5
0713074-1		94 - 1	0713334-15		28 -	0713347-2		103 - 8
0713107-1		32 -12	0713334-16		28 -	0713347-2		104 - 7
0713135-2		28 -58	0713334-18		28 -49	0713349-2		30 -52
0713135-2		144 -35	0713334-2		46 - 1	0713351-1		30 -63
0713135-2		145 - 1	0713334-3		28 -48	0713353-1		30 -98B
0713139-1		28 -57	0713334-4		28 -49	0713353-2		30 -98C
0713139-1		144 -36	0713334-5		28 -51	0713354-10		145A-68
0713139-1		145 - 2	0713334-6		28 -43	0713354-200		145 -50
0713140-1		28 -58	0713334-6		29 -33	0713354-201		145 -50
0713140-1		144 -37	0713334-7		28 -60	0713354-202		145A-51
0713140-1		145 - 3	0713334-8		28 -61	0713354-203		145A-51
0713169-1		98 -23A	0713335-1		28 -75	0713355-1		145 -52
0713250-1		144 -31	0713336-1		103 -34	0713355-2		145 -52
0713253-1		84 - 5	0713336-3		104 -32	0713355-5		145A-53
0713253-1		85 - 7	0713337-1		98 - 9	0713355-6		145A-53
0713262-2		151 -15	0713337-1		99 -10	0713356-1		32 -41
0713262-4		151 -15	0713337-1		100 -11	0713357-3		112 -68
0713263-1		28 -30	0713338-1		103 -37	0713358-1		105 -16
0713263-1		29 - 9	0713338-10		105 -38A	0713358-1		105A-13
0713263-2		28 -31	0713338-10		106 -35	0713358-1		106 -16
0713263-2		29 -11	0713338-3		103 -37	0713358-1		106A-13
0713263-5		28 -30	0713338-3		104 -35	0713359-1		105 -12
0713263-5		29 -10	0713338-5		105 -35	0713359-1		105A-12
0713263-6		28 -32	0713340-2		100 - 1	0713359-1		106 -12
0713263-6		29 -12	0713340-4		108 - 6	0713359-1		106A-12
0713266-3		103 - 2	0713341-1		100 -15	0713360-1		105 -11
0713266-5		104 - 2	0713341-3		108 - 1	0713360-1		105A- 9
0713266-6		105 - 2	0713342-1		104 -16	0713360-2		106 -11
0713266-7		105 - 2	0713342-1		105 -17	0713360-2		106A- 9
0713266-7		105A- 2	0713342-1		106 -17	0713361-1		30 -49
0713266-7		106 - 2	0713342-3		105 -17	0713363-1		195 -12
0713266-7		106A- 2	0713342-3		105A-14	0713363-1		195A-12
0713267-1		103 -30	0713342-3		106 -17	0713480-1		103 -17
0713267-1		104 -28	0713342-3		106A-14	0713480-3		103 -17
0713267-1		105 -29	0713343-1		104 -40	0713481-3		103 -39
0713267-1		105A-33	0713344-1		100 -14	0713481-5		103 -39
0713267-1		106 -29	0713344-3		101 -76	0713482-1		103 - 1
0713267-1		106A-33	0713344-4		101 -76	0713482-10		105 - 1
0713272-1		148 -11	0713344-6		101 -76	0713482-11		106 - 1
0713272-1		148 -14	0713344-7		101 -76	0713482-12		105A- 1
0713288-3		28 -70	0713344-8		101A- 8	0713482-13		106A- 1
0713288-3		29 -18	0713345-1		100 - 8	0713482-2		103 - 1
0713288-4		28 -70	0713345-1		101 - 8	0713482-3		104 - 1
0713288-4		29 -18	0713345-1		102 -10	0713482-5		105 - 1
0713290-1		35 -19	0713346-1		100 - 6	0713482-8		105 - 1

# 182 & T182 Parts Catalog

PART NUMBER	FICHE AND FRAME	FIGURE AND INDEX NO.	PART NUMBER	FICHE AND FRAME	FIGURE AND INDEX NO.	PART NUMBER	FICHE AND FRAME	FIGURE AND INDEX NO.
0713482-9		106 - 1	0713605-1		32 -44	0713637-1		35 - 7
0713483-5	^	98 -14	0713606-1		31 -27	0713638-1		28 - 9
0713483-6	^	107 - 1	0713606-1		32 -31	0713638-2		28 - 9
0713484-1	^	98 - 2	0713606-2		31 -27	0713638-3		30 -37
0713484-10	^	107 -24	0713606-2		32 -31	0713638-4		30 -38
0713484-11	^	99 - 2	0713607-1		31 -25	0713639-1		28 -29
0713484-12	^	107 -25	0713607-1		32 -30	0713639-2		28 -29
0713484-2	^	107 - 9	0713607-2		31 -25	0713640-12		155 -11
0713484-5	^	98 - 3	0713607-2		32 -30	0713640-15		33 - 1
0713484-6	^	107 -10	0713608-3		31 -34	0713640-202		33 -
0713484-9	^	99 - 1	0713608-3		32 -41	0713640-204		34 -
0713487-1	^	186 -11	0713608-7		32 -41	0713640-205		34A-
0713487-10		186 -14	0713609-5		31 -28	0713640-21		33 - 1
0713487-10		187 - 7	0713609-5		46 - 7	0713640-21		34 - 1
0713487-10		187 -18	0713609-6		31 -28	0713640-21		34A- 1
0713487-11		186 -13	0713609-6		46 - 7	0713640-22		33 - 3
0713487-11		187 - 6	0713610-10		31 -35	0713640-26		34A- 3
0713487-12		186 -15	0713610-10		32 -42	0713640-4		33 - 3
0713487-12		187 - 8	0713610-9		31 -35	0713640-4		34 - 3
0713487-14		186 -15	0713610-9		32 -42	0713641-1		33 - 5
0713487-14		187 - 8	0713611-1		31 -26	0713641-1		34 - 5
0713487-15		186 -10	0713611-2		31 -26	0713641-1		34A- 5
0713487-16		187 - 3	0713612-1		31 -18	0713641-3		33 - 7
0713487-2		187 - 4	0713612-2		31 -19	0713641-3		34 - 7
0713487-3		186 - 9	0713613-5		31 -36	0713641-3		34A- 7
0713487-4		187 - 2	0713613-5		32 -43	0713642-1		155 - 2
0713487-4		187 -17	0713613-6		31 -36	0713642-1		156 - 2
0713487-5		186 -12	0713613-6		32 -43	0713642-1		156A- 2
0713487-6		187 - 5	0713614-1		28 -20	0713642-3		155 - 4
0713487-7		186 - 8	0713614-1		30 -13	0713642-3		156 - 4
0713487-8		187 - 1	0713614-4		28 -20	0713642-3		156A- 4
0713487-9		186 -15	0713614-4		30 -14	0713643-1		155 - 7
0713487-9		187 - 8	0713615-1		28 -22	0713643-1		156 - 7
0713488-1		99 -16	0713615-1		30 - 9	0713643-3		155 - 8
0713488-2	^	107 -14	0713615-2		28 -22	0713643-3		156 - 9
0713525-15		98 -11	0713615-2		30 -10	0713643-3		156A- 8
0713525-19		99 -13	0713617-2		28 -21	0713644-1		33 -18
0713533-1		178 -59	0713617-3		30 -12	0713644-3		34 -16
0713534-1		84 -30	0713617-5		30 -12	0713645-2		33 -16
0713534-6		85 - 6	0713617-7		28 -21	0713645-2		34 -14
0713535-1		29 -36	0713619-1		28 -24	0713645-2		34A-14
0713535-1		84 -31	0713619-1		30 - 5	0713647-1		33 - 8
0713535-1		85 - 8	0713619-2		28 -24	0713647-1		34 - 8
0713536-1		144 -14A	0713619-3		28 -24	0713647-2		33 -14
0713536-1		145 -48	0713619-3		30 - 6	0713647-3		33 -10
0713538-1		46 - 1	0713624-2		30 -32	0713647-3		33 -14
0713538-3		47 - 1	0713624-2		35 - 4	0713647-3		33 -22
0713556-1		142 - 9	0713624-2		149 -17	0713647-3		34 -10
0713577-1		101 -11	0713625-1		148 -52	0713647-3		34 -13
0713577-2		101 -11	0713626-1		28 -51	0713647-3		34A-10
0713577-5		101A-11	0713628-1		35 - 3	0713647-3		34A-13
0713577-6		101A-11	0713628-2		35 - 3	0713651-1		33 -17
0713578-1		105 -33	0713628-5		30 -32	0713651-1		34 -15
0713578-3		105 -33	0713628-6		30 -32	0713651-1		34A-19
0713578-5		105A-37	0713629-1		149 -23	0713653-1		155 - 8
0713580-1		35 -18	0713629-2		149 -22	0713653-2		155 -10
0713592-4		111A- 5	0713629-3		149A-28	0713656-1		155 -24
0713593-5		111A- 1	0713629-4		149A-27	0713656-1		156 -36
0713594-1		105 -17A	0713631-1		35 - 1	0713656-1		156A-20
0713594-1		105A-21	0713631-6		35 - 2	0713656-3		155 -26
0713594-1		106 -55	0713632-5		28 - 8	0713656-3		156 -38
0713594-1		106A-32	0713632-6		28 - 8	0713656-3		156A-22
0713603-1		28 -12	0713632-7		30 -39	0713657-1		33 -12
0713603-2		28 -12	0713632-8		30 -40	0713657-1		34 -11
0713603-2		30 -21	0713633-1		31 -22	0713661-1		28 -55
0713603-7		30 -20	0713633-2		31 -22	0713663-5		28 -10
0713604-11		31 -13	0713633-3		32 -26	0713663-6		28 -10
0713604-12		31 -13	0713633-4		32 -27	0713666-1		28 -37
0713604-15		31 -	0713634-2		30 - 1	0713668-13		28 -25A
0713604-5		31 -14	0713634-2		35 -10	0713668-13		29 -47A
0713604-6		31 -15	0713634-3		35 -13	0713668-3		29 -49
0713604-7		31 -16	0713634-6		30 - 2	0713668-4		28 -25
0713604-8		31 -17	0713634-8		30 - 2	0713668-8		28 -25
0713605-1		31 -37	0713636-1		35 - 8	0713668-8		29 -47

# 182 & T182 Parts Catalog

PART NUMBER	FICHE AND FRAME	FIGURE AND INDEX NO.	PART NUMBER	FICHE AND FRAME	FIGURE AND INDEX NO.	PART NUMBER	FICHE AND FRAME	FIGURE AND INDEX NO.
0713670-1		28 -28	0713775-8		106 - 3	0713972-4		195A- 9
0713671-11		30 -33	0713775-8		106A- 3	0713972-4		195B-10
0713671-12		30 -34	0713776-1		103 -13	0713972-5		195B- 3
0713671-3		35 -16	0713776-1		104 -12	0713972-5	<	195 -10
0713671-4		35 -17	0713776-1		105 -13	0713972-5-279		195A-10
0713671-7		30 -33	0713776-1		106 -13	0713975-1		33 - 4
0713671-8		30 -34	0713778-9		111 -10	0713975-2		33 - 4
0713676-1		28 - 6	0713779-1		103 -14	0713975-2		34 - 4
0713676-2		28 - 5	0713779-1		104 -13	0713975-2		34A- 4
0713676-6		30 -41	0713779-1		105 -14	0713993-1		99 -23
0713676-7		30 -42	0713779-1		106 -14	0713993-1		100 -20
0713681-1		35 -18	0713783-3		103 -32	0713993-10		101 -18
0713682-1		28 -11	0713783-3		104 -30	0713993-10		101A-18
0713682-1		30 -22	0713783-3		105 -31	0713993-10		102 -21
0713682-2		28 -11	0713783-3		106 -31	0713993-10		102A-19
0713682-2		30 -23	0713783-5		105 -31	0713993-5		99 -26
0713683-1		31 -38	0713783-5		105A-35	0713993-5		100 -23
0713683-1		32 -45	0713783-5		106 -31	0713993-5		101 -22
0713683-2		31 -38	0713783-5		106A-35	0713993-5		101A-22
0713683-2		32 -45	0713785-1		111 - 3	0713993-5		102 -25
0713684-2		28 -33	0713787-4		28 -34	0713993-5		102A-23
0713684-5		29 -46	0713787-4		29 -17	0713993-8		101 -18
0713685-1		28 -23	0713787-5		28 -34	0714002-11		84 - 6
0713685-1		30 - 7	0713787-5		29 -17	0714002-12		84 - 6
0713685-2		28 -23	0713787-7		28 -34	0714002-7		84 - 6
0713685-2		30 - 8	0713787-7		29 -17	0714002-8		84 - 6
0713693-2		148 -24	0713788-3		46 - 5	0714003-1		84 - 7
0713693-3		148 -36	0713788-5		47 - 4	0714003-2		84 - 7A
0713693-4		148 -36	0713809-1		103 -15	0714003-2		97 -
0713694-1		35 -14	0713811-15	<	195 - 1	0714005-1	#	97 -
0713694-2		35 -15	0713811-19-279	<	195A- 1	0714005-3	#	97 -10
0713700-1		36 -25	0713811-5	<	195 - 1	0714005-4	<	97 -12
0713701-2		141 -16	0713811-7	<	195 - 1	0714010-1	<	93 -19
0713702-1		32 -46	0713817-1		116 -17	0714010-1	<	94 -27
0713702-1		44 - 9	0713817-4		116 -17	0714010-2	<	93 -19
0713702-1		44 -91	0713822-1		46 - 6	0714010-2	<	94 -27
0713703-1		88 -34	0713822-1		47 - 5	0714012-1	#	91 -
0713703-1		89 -41	0713847-11		28 -46	0714012-200	#	91 -15
0713703-2		89 -42	0713847-11		29 -35	0714012-201	#	91 - 1
0713703-2		88 -35	0713854-1		98 -78	0714012-4	#	91 -16
0713715-1		88 -33	0713854-1		99 -80	0714012-5	#	91 -10
0713715-1		89 -40	0713854-1		99 -80	0714012-8	#	91 -11
0713715-2		88 -34	0713854-2		100 -74	0714013-1	#	95 -
0713715-2		89 -41	0713854-2		98 -78	0714013-12	#	95 - 8
0713719-1		146 -22	0713854-2		99 -80	0714013-2	#	95 -24
0713719-1		147 -21	0713854-2		100 -74	0714013-3	#	95 -24
0713719-2		146 -22	0713854-4		101 -75	0714013-4	#	95 -
0713719-2		147 -21	0713854-4		98 -78	0714013-5	#	95 -33
0713725-2		29 -20	0713854-4		99 -80	0714013-6	#	95 -34
0713726-2		32 -36	0713864-1		100 -74	0714013-7	#	95 -35
0713732-10		32 -32	0713864-1		103 -16	0714013-8	#	95 -35
0713732-5		31 -32	0713864-1		104 -15	0714013-9	#	95 - 8
0713732-5		32 -32	0713864-1		105 -16	0714014-1	#	93 -
0713732-6		31 -32	0713881-15		106 -16	0714014-2	#	93 -
0713732-6		32 -32	0713929-1		111 - 1	0714014-3	#	93 -15
0713732-9		32 -32	0713935-2		112 -54	0714014-4	#	93 - 7
0713734-1		33 -21	0713935-2		28 -44	0714014-5	#	93 -16
0713735-1		155 -31	0713943-2		29 -34	0714019-1	#	91 -
0713737-2		33 -18A	0713943-2		28 -72	0714019-10	#	91 -
0713737-4		33 -18C	0713944-1		29 -21	0714019-11	#	91 -15
0713738-3		111 - 7	0713944-1		28 -73	0714019-12	#	91 - 1
0713738-3		185 -27	0713944-1		29 -19	0714019-13	#	91 -17
0713757-1		28 -67	0713946-1		157 - 6A	0714019-14	#	91 -11
0713757-2		36 -24	0713946-3		112 -51	0714019-15	#	91 -16
0713770-11		103 -11	0713952-1		112 -62	0714019-16	#	91 -10
0713770-12		104 -10	0713952-1		28 -66	0714019-2	#	91 -15
0713770-18		106 -11	0713955-1		146 -29	0714019-21	#	91 -
0713770-20		105 -11	0713955-1		147 -28	0714019-22	#	91 -15
0713770-22		106 -11	0713955-1		98 -12	0714019-23	#	91 - 1
0713775-1		103 - 3	0713959-1		99 -14	0714019-24	#	91 -16
0713775-7		104 - 3	0713960-1		148 -41	0714019-25	#	91 -10
0713775-7		105 - 3	0713960-2		151 -16	0714019-26	#	91 -17
0713775-8		105 - 3	0713972-1	<	151 -16	0714019-3	#	91 - 1
0713775-8		105A- 3	0713972-4		195 -10	0714019-4	#	91 -17
					195 - 9	0714019-5		91 -11

# 182 & T182 Parts Catalog

PART NUMBER	FICHE AND FRAME	FIGURE AND INDEX NO.	PART NUMBER	FICHE AND FRAME	FIGURE AND INDEX NO.	PART NUMBER	FICHE AND FRAME	FIGURE AND INDEX NO.
0714019-6	#	91 -16	0714023-4	<	96 -27	0714051-9		118 -25
0714019-7	#	91 -10	0714041-1	#	96 -	0714052-1	#	91 -
0714020-1	#	94 -	0714041-10		96 -31	0714052-2	#	91 -15
0714020-10		94 - 8	0714041-16	#	96 -11	0714052-3	#	91 - 1
0714020-11		94 -24	0714041-17	#	96 -10	0714052-4	#	91 -16
0714020-12	#	94 - 1	0714041-2	#	96 -29	0714052-5	#	91 -10
0714020-13	#	94 -	0714041-22	#	96 -	0714052-6		91 -17
0714020-14	#	94 -	0714041-3	#	96 -10	0714052-7		91 -11
0714020-15	#	94 -18	0714041-4	#	96 -11	0714053-1	#	94 -
0714020-16	#	94 -18	0714041-5	#	96 -21	0714053-2	#	94 -
0714020-17	#	94 - 7	0714041-6	#	96 -22	0714053-3		94 -
0714020-18	#	94 -23	0714041-7		96 -23	0714053-4		94 -18
0714020-19		94 -24	0714041-8		96 -24	0714053-5	#	94 - 1
0714020-2	#	94 -	0714041-9	#	96 -30	0714053-6		94 - 8
0714020-20		94 - 8	0714042-1	#	92 -	0714053-7		94 -24
0714020-23	#	94 -	0714042-2	#	92 -16	0714053-8	#	94 - 7
0714020-24	#	94 -	0714042-3	#	92 - 3	0714053-9	#	94 -23
0714020-25	#	94 -18	0714042-4	#	92 -17	0714054-1	#	95 -
0714020-26	#	94 -18	0714042-5	#	92 - 5	0714054-11		95 - 9
0714020-27	#	94 - 1	0714042-6		92 -18	0714054-2	#	95 -
0714020-28	#	94 -23	0714042-7		92 - 6	0714054-3	#	95 -24
0714020-29	#	94 - 7	0714043-1	#	94 -	0714054-4	#	95 -24
0714020-3	#	94 - 1	0714043-2	#	94 -	0714054-5	#	95 -33
0714020-30	#	94 -24	0714043-3		94 -18	0714054-6	#	95 -34
0714020-4	#	94 -18	0714043-4		94 -18	0714054-7		95 -35
0714020-5	#	94 -18	0714043-5	#	94 - 1	0714054-8		95 -35
0714020-6	#	94 -23	0714043-6		94 - 8	0714054-9	#	95 - 8
0714020-7	#	94 - 7	0714043-7		94 -24	0714058-1	#	92 -
0714021-1		95 -	0714043-8	#	94 - 7	0714058-10		92 - 6
0714021-10	#	95 - 8	0714043-9	#	94 -23	0714058-12	#	92 -
0714021-11		95 - 9	0714047-1		95 -	0714058-13	#	92 -16
0714021-12		95 - 9	0714047-10	#	95 - 8	0714058-2	#	92 -16
0714021-13		95 -35	0714047-11		95 - 9	0714058-3	#	92 - 3
0714021-14		95 -35	0714047-12		95 - 9	0714058-4	#	92 -17
0714021-17		95 -	0714047-2	#	95 -	0714058-5	#	92 - 5
0714021-18	#	95 -	0714047-3	#	95 -24	0714058-6		92 -18
0714021-19	#	95 -24	0714047-4	#	95 -24	0714058-7		92 - 6
0714021-2	#	95 -	0714047-5	#	95 -33	0714059-1	#	94 -
0714021-20	#	95 -24	0714047-6	#	95 -34	0714059-12		94 - 8
0714021-21	#	95 -33	0714047-7		95 -35	0714059-2	#	94 -
0714021-22	#	95 -34	0714047-8		95 -35	0714059-3		94 -18
0714021-23	#	95 - 8	0714047-9	#	95 - 8	0714059-4		94 -18
0714021-24	#	95 - 8	0714048-1	#	91 -	0714059-5	#	94 - 1
0714021-25	#	95 - 9	0714048-2	#	91 -15	0714059-6		94 - 8
0714021-26	#	95 - 9	0714048-3	#	91 - 1	0714059-7		94 -24
0714021-27	#	95 -35	0714048-4	#	91 -16	0714059-8	#	94 - 7
0714021-28	#	95 -35	0714048-5	#	91 -10	0714059-9	#	94 -23
0714021-3	#	95 -24	0714048-6		91 -17	0714060-10		96A-33
0714021-33		95 -	0714048-7		91 -11	0714060-11		96A-24
0714021-34	#	95 -	0714049-1	#	94 -	0714060-12		96A-23
0714021-35	#	95 -24	0714049-10		94 -24	0714060-13		96A-25
0714021-36	#	95 -24	0714049-12		94 - 8	0714060-14	#	96A-21
0714021-37	#	95 -33	0714049-2	#	94 -	0714060-15	#	96A-22
0714021-38	#	95 -34	0714049-3		94 -18	0714060-16	#	96A-31
0714021-39	#	95 - 8	0714049-4		94 -18	0714060-2	#	96A-
0714021-4	#	95 -24	0714049-5	#	94 - 1	0714060-20		96A-26
0714021-40	#	95 - 8	0714049-8	#	94 - 7	0714060-5	#	96A-10
0714021-5	#	95 -33	0714049-9	#	94 -23	0714060-6	#	96A-11
0714021-6	#	95 -34	0714050-1	#	97 -	0714060-9	#	96A-32
0714021-8	#	95 - 8	0714050-2	#	97 -12	0714061-1		92 -24A
0714022-1	#	97 -	0714050-3	#	97 -10	0714061-1		94 -75A
0714022-2	#	97 -12	0714050-4	#	97 -	0714062-1		94 -75B
0714022-3	#	97 -10	0714050-5	#	97 -12	0714062-2		92 -21A
0714022-4	#	97 -	0714050-6	#	97 -10	0714063-1		92 -21A
0714022-5	#	97 -12	0714051-1		84 -33	0714063-3		84 -19
0714022-6	#	97 -10	0714051-10		84 -35	0715010-2	<	84 -19
0714022-7	#	97 -	0714051-10		85 -29	0715010-3	<	85 -16
0714022-8	#	97 -12	0714051-13		84 -33	0715010-3-532	<	84 -19
0714022-9	#	97 -10	0714051-13		85 -26	0715010-4	<	85 -17
0714023-1	<	95 -37	0714051-14		84 -33	0715010-4-532	<	95 -37
0714023-2	<	95 -38	0714051-14		85 -27	0715016-1	<	95 -38
0714023-3	<	96A-28	0714051-2		84 -33	0715016-2	<	95 -10
0714023-3	<	96 -26	0714051-8		84 -36	0715017-1	<	88 -27
0714023-4		96A-29	0714051-8		85 -30	0715023-1	<	

# 182 & T182 Parts Catalog

PART NUMBER	FICHE AND FRAME	FIGURE AND INDEX NO.	PART NUMBER	FICHE AND FRAME	FIGURE AND INDEX NO.	PART NUMBER	FICHE AND FRAME	FIGURE AND INDEX NO.
0715023-16	<	88 -24	0715045-2		41 - 5	0716617-11		170 - 8
0715023-3	<	88 -25	0715046-4		153 -38	0716617-11		171 -49
0715023-5	<	84 -16	0715048-1		40 -66	0716617-12		170 - 9
0715023-8	<	84 -17	0715048-1		41 -69	0716617-12		171 -50
0715024-1	<	88 -10	0715049-1		89 -21	0716617-2		169 -11
0715024-1-532	<	89 -14	0715049-1	<	88 -17	0716617-7		169 -10
0715024-2	<	88 -11	0715052-1	<	88 -23	0716617-8		169 -11
0715024-2-532	<	89 -15	0715052-2	<	88 -22	0716622-1		169 - 7
0715026-1		97 -20	0715052-6	<	88 -23	0716623-2		169 -34
0715031-1	<	86 - 9A	0715052-6-532	<	89 -29	0716623-2		170 -40
0715032-15	<	86 -10	0715052-8	<	88 -22	0716623-2		171 -39
0715032-16	<	86 -10	0715053-3	<	88 -27A	0716623-6		170 -58
0715032-18		87 -10	0715054-1		44 -71	0716623-6		171 -78
0715032-19		87 -10	0715056-1		75 -31A	0716624-1		169 -37
0715033-1		75 -42	0715056-1		77 -28A	0716624-1		170 -43
0715033-1		76 -58	0715056-1		79 -32	0716624-1		171 -42
0715033-1		77 -49	0715057-1	#	88 - 1	0716624-2		170 -73
0715033-1		78 -36	0715057-11	#	86 - 1	0716624-2		171 -92
0715033-1		79 -59	0715057-12	#	86 - 1	0716635-1		171 -35
0715033-1		80 -48	0715057-2	#	88 - 2	0717010-16		77 -46
0715036-1	#	88 - 1	0715057-21	#	88 -18	0717010-16		78 -31
0715036-2	#	88 - 2	0715057-22	#	88 -19	0717010-22		76 -33
0715036-3	#	86 - 1	0715057-42	#	86 - 1	0717010-22		80 -55
0715036-4	#	86 - 1	0715059-1		118 -24	0717010-23		75 -46
0715036-5	#	88 -18	0715060-1		49 -11	0717010-24		77 -26
0715036-6	#	88 -19	0715060-1		49 -12	0717010-24		79 -29
0715038-1		84 -20	0715060-1		77 -54	0717010-27		77 -47
0715039-1	#	88 -20	0715060-1		78 -46	0717010-27		78 -32
0715039-2	#	88 -20	0715060-2		49 -11	0717011-27	#	86 - 2
0715039-3	#	88 -20	0715060-2		49 -12	0717011-28	#	86 - 2
0715039-4	#	88 -20	0715061-1		77 -54	0717012-3		75 -31
0715043-1	#	88 -37	0715061-1		78 -47	0717012-3		76 -35
0715043-10	#	88 -38	0715061-2		77 -54	0717012-4		77 -28
0715043-10	#	89 -46	0715061-2		78 -48	0717012-4		78 -29
0715043-11	#	88 -38A	0715068-1	<	145 -25	0717012-4		79 -31
0715043-11	#	89 -47	0715068-2	<	145 -25	0717012-4		80 -31
0715043-12	#	88 -38B	0715069-1	<	87 -10	0717012-5		75 -30
0715043-12	#	89 -48	0715069-1	<	86 -10	0717012-5		76 -34
0715043-13	#	89 -52	0715073-1	#	88 - 1	0717012-5		77 -27
0715043-2	#	89 -44	0715073-2	#	88 - 2	0717012-5		78 -28
0715043-3	#	88 -38	0715073-3	#	86 - 1	0717012-5		79 -30
0715043-4	#	88 -39	0715073-3A	#	86 - 1	0717012-5		80 -30
0715043-4	#	89 -49	0715073-4	#	86 - 1	0717023-1		82 -
0715043-5	#	88 -34	0715073-5	#	88 -18	0717024-10		82 - 4
0715043-6	#	89 -41	0715073-6	#	88 -19	0717024-12		82 - 3
0715043-6	#	88 -33	0715080-1	<	84 -13	0717024-16		76 - 9
0715043-6	#	89 -40	0715081-1	<	89 -34	0717024-17		82 -21
0715043-7	#	88 -31	0715081-1	<	88 -26	0717024-18		82 -21
0715043-7	#	89 -38	0715083-1		154 -51	0717024-21		82 - 1
0715043-8	#	88 -32	0715083-1		154A-39	0717024-23		82 -18
0715043-8	#	89 -39	0715087-1		89 -30	0717024-25		82 -18
0715043-9	#	88 -34	0715087-2		89 -31	0717024-27		82 - 1
0715043-9	#	89 -41	0715088-1		89 -32	0717024-3		82 - 7
0715044-1	<	88 -13	0715088-2		89 -33	0717024-4		82 - 8
0715044-10		89 -18	0715089-1		89 -57	0717024-6		82 -16
0715044-10	<	88 -14	0715092-1		118A- 7	0717024-7		82 -13
0715044-11		89 -17	0716125-2		16 -10	0717026-1		82 -15
0715044-11	<	88 -13	0716127-1		16 -12	0717026-3		82 - 6
0715044-15	<	84 -10	0716127-1		169 - 1	0717036-1		83 -16B
0715044-15-532	<	85 -14	0716136-1		173 -20	0717039-1		76 -57
0715044-16	<	84 -11	0716174-1		170 -35	0717039-1		78 -35
0715044-16-532	<	85 -14	0716179-1		170 -61	0717039-1		80 -60
0715044-2	<	88 -14	0716607-3		169 -30	0717040-1		83 -10A
0715044-21		89 -17	0716607-4		169 -30A	0720005-3		7 -40
0715044-22		89 -18	0716607-4		170 -35	0720005-3		9 -56
0715044-3	<	84 -10	0716611-1		169 -28	0720017-3		6 -44
0715044-4	<	84 -11	0716613-1		169 -24	0720017-4		6 -44
0715044-5	<	84 -29	0716613-200		169 -26	0720601-100		9 -34
0715044-5-532	<	85 -18	0716614-6		16 -45	0720601-100		14 -10
0715044-8	<	88 -14	0716614-8		9 -46	0720601-101		9 -34
0715044-9	<	88 -13	0716616-1		169 - 6	0720601-101		14 -10
0715045-1		40 - 6	0716616-5		170 - 4	0720601-21		9 -19
0715045-1		41 - 6	0716616-5		171 -76	0720601-21		14 - 9
0715045-2		40 - 5	0716617-1		169 -10	0720601-98		14 -10

# 182 & T182 Parts Catalog

PART NUMBER	FICHE AND FRAME	FIGURE AND INDEX NO.	PART NUMBER	FICHE AND FRAME	FIGURE AND INDEX NO.	PART NUMBER	FICHE AND FRAME	FIGURE AND INDEX NO.
0720601-99		14 -10	0721400-33		12 -19	0722180-83		10 -17
0720606-10		7 -36	0721400-35		12 - 5	0722180-83		11 -18
0720606-14		9 -67	0721400-35		13 - 4	0722180-84		10 -18
0720606-15		9 -68	0721400-4		12 - 1	0722180-84		11 -19
0720606-3		7 -35	0721400-4		13 - 3	0722180-85		11 -
0720606-5		7 -35	0721401-15		12 -17	0722180-86		11 -
0720606-8		7 -36	0721401-16		12 -17	0722180-87		11 - 1
0720612-1		14 - 7	0721401-37		12 -12	0722180-88		11 - 2
0720612-2		14 - 4	0721401-37		13 -12	0722182-13		14 - 1
0720613-1		5 -40	0721401-38		12 -12	0722182-16		14 - 1
0720613-2		6 -45	0721401-38		13 -12	0722182-19		14 -11
0720613-2		5 -40	0721401-41		12 -	0722182-19		15 - 6
0720613-2		6 -45	0721401-42		12 -	0722182-24		14 -12
0720614-1		5 -38	0721401-5		12 -18	0722182-24		15 -15
0720614-2		5 -38	0721401-6		12 -18	0722182-38		14 - 5
0720617-5		9 -66	0721402-1		12 -11	0722182-39		14 - 5
0720617-5		7 - 9	0721402-1		13 -11	0722182-40		14 - 5
0720618-1		5 -34	0721402-2		12 -11	0722182-40		14 - 5
0720618-2		5 -34	0721402-2		13 -11	0722182-41		7 -
0720619-1		5 -34	0721402-3		12 -10	0722182-42		7 -
0720619-2		5 -34	0721402-3		13 -10	0722182-43		7 -
0720619-5		6 -40	0721402-4		12 -10	0722182-44		7 -
0720619-6		6 -40	0721402-4		13 -10	0722184-2		10 -10
0721100-6		7 - 7	0722000-1		8 -	0722184-2		11 -11
0721100-6		7 -15	0722000-10		15 - 1	0722185-1		10 -11
0721100-7		7 - 8	0722000-11		15 - 7	0722185-1		11 -12
0721100-7		7 -14	0722000-12		15 - 7	0722185-2		10 -12
0721105-13	166	-24	0722000-13		8 -	0722185-2		11 -13
0721105-14	166	-22	0722000-15		15 - 6	0722186-1		10 -13
0721105-15	166	-22	0722000-16		15 - 6	0722186-1		11 -14
0721105-18	166	-22	0722000-17		15 - 7	0722187-7		7 -46
0721105-3	166	-25	0722000-18		15 - 7	0722187-7		8 - 8
0721105-4	166	-26	0722000-19		8 -	0722187-8		7 -46
0721105-5	166	-28	0722000-2		8 -	0722187-8		8 - 8
0721105-56	166	-24	0722000-20		8 -	0722188-1		10 -20
0721105-57	166	-22	0722000-23		8 -	0722188-1		11 -21
0721105-58	166	-22	0722000-24		8 -	0722188-2		10 -21
0721105-8	166	-27	0722000-5		15 -	0722188-2		11 -22
0721105-9	166	-28	0722000-6		15 -	0722189-1		10 -22
0721107-1	7	-25	0722000-7		15 - 6	0722189-1		11 -23
0721107-1	8	-23	0722000-8		15 - 6	0722189-2		10 -23
0721107-2	7	-25	0722000-9		15 - 1	0722189-2		11 -24
0721107-2	8	-23	0722012-11		7 -41	0722190-1		10 -24
0721111-21	7	-10	0722012-16		7 -41	0722190-1		11 -25
0721111-23	7	-12	0722014-1		14 -14	0722190-2		10 -25
0721111-24	7	-12	0722014-21		14 -14	0722190-2		11 -26
0721111-25	7	-10	0722015-60		14 -16	0722191-1		10 -26
0721111-3	7	-44	0722015-61		14 -16	0722191-1		11 -27
0721111-33	7	-44	0722017-1		7 - 5	0722191-2		10 -27
0721112-5	9	-68	0722017-2		7 - 5	0722191-2		11 -28
0721112-7	9	-67	0722180-49		10 -17	0722192-1		10 -28
0721114-2	10	-15	0722180-49		11 -18	0722192-1		11 -29
0721114-2	11	-16	0722180-50		10 -18	0722192-2		10 -29
0721114-2	166	-21	0722180-50		11 -19	0722192-2		11 -30
0721115-1	10	-16	0722180-51		10 -16	0722193-1		10 -30
0721115-1	11	-17	0722180-51		11 -17	0722193-1		11 -31
0721115-1	166	-20	0722180-52		10 -16	0722193-2		10 -31
0721117-1	7	-36	0722180-52		11 -17	0722193-2		11 -32
0721117-3	7	-35	0722180-54		10 -	0722194-1		7 -17
0721207-1	115	- 7	0722180-55		10 -	0722194-11		7 -17
0721207-2	115	- 7	0722180-56		10 - 1	0722194-11		8 -10
0721306-1	16	-37	0722180-57		10 - 1	0722194-12		7 -17
0721400-13	12	- 8	0722180-58		10 -	0722194-12		8 -10
0721400-13	13	- 8	0722180-59		10 -	0722194-2		7 -17
0721400-14	12	- 8	0722180-60		10 - 1	0722195-1		7 -18
0721400-14	13	- 8	0722180-61		10 - 1	0722195-1		8 -15
0721400-17	12	- 9	0722180-73		11 - 1	0722196-2		7 -20
0721400-17	13	- 9	0722180-74		11 - 2	0722196-2		8 -17
0721400-18	12	- 9	0722180-75		11 -	0722197-3		7 -21
0721400-18	13	- 9	0722180-76		11 -	0722197-3		8 -19
0721400-3	12	- 1	0722180-81		10 -16	0722197-4		7 -21
0721400-3	13	- 3	0722180-81		11 -17	0722197-4		8 -19
0721400-31	12	-20	0722180-82		10 -16	0722198-1		7 -22
0721400-32	12	- 3	0722180-82		11 -17	0722198-1		8 -20

# 182 & T182 Parts Catalog

PART NUMBER	FICHE AND FRAME	FIGURE AND INDEX NO.	PART NUMBER	FICHE AND FRAME	FIGURE AND INDEX NO.	PART NUMBER	FICHE AND FRAME	FIGURE AND INDEX NO.
0722199-1		7 -23	0726013-27		9 -	0732100-6		24 -11
0722199-1		8 -21	0726013-3		9 - 1	0732100-7		24 -12
0722200-1		7 -24	0726013-4		9 - 1	0732101-4		24 -10
0722200-1		8 -22	0726013-5		9 -20	0732106		24 -33
0722200-2		7 -24	0726013-6		9 -20	0732106-1		24 -32
0722200-2		8 -22	0726014-1		9 -57	0732600-3		24 -42
0722201-1		7 -16	0726014-2		9 -57	0732601-3		24 -48
0722202-1		10 - 7	0726014-5		9 -58	0732603-2		24 - 9
0722202-1		11 - 8	0726014-6		9 -58	0732610-5		24 -17
0722204-1		10 - 2	0726015-1		13 -13	0732610-6		24 -18
0722204-1		11 - 3	0726015-1		12 -13	0732611-10		24 -26
0722204-2		10 - 2	0726016-1		13 -	0732611-11		24 -27
0722204-2		11 - 3	0726016-10		13 -	0732611-7		24 -23
0722205-1		10 - 2A	0726016-2		13 -	0732611-8		24 -24
0722205-1		11 - 3A	0726016-3		13 - 2	0732611-9		24 -25
0722205-2		10 - 2A	0726016-4		13 - 2	0732614-1		24 -56
0722205-2		11 - 3A	0726016-5		13 - 1	0732614-2		24 -57
0722707-1		12 - 6	0726016-6		13 - 1	0732615-5		24 -53
0722707-1		13 - 6	0726016-7		13 - 2	0732615-6		24 -54
0723200-10		5 -22	0726016-8		13 - 2	0732617-3		24 -35
0723200-11		5 -22	0726016-9		13 -	0733103-1		23 -18
0723200-12		5 -22	0726019-1		9 -45	0733104-3		23 -12
0723200-5		5 -21	0726019-2		9 -45	0733113-1		23 -17
0723200-5		6 -25	0726020-1		9 -44	0733113-1		23 -18
0723200-6		5 -21	0726021-1		9 -45	0733118-1		23 -18A
0723200-6		6 -25	0726021-2		9 -45	0733118-2		23 -18A
0723200-9		5 -22	0726022-1		9 -44	0734102-2		25 - 6
0723201-1		5 -31	0726025-1		9 -44	0734102-7		25 -11
0723201-1		6 -35	0726025-1		9 -45	0734102-8		25 -12
0723201-2		5 -31	0726027-5		9 -21	0734110-1		25 - 5
0723201-2		6 -35	0726027-6		9 -21	0734110-2		25 - 5
0723201-3		5 -31	0726027-7		9 -22	0734110-3		25 - 9
0723201-3		6 -35	0726027-8		9 -22	0734110-4		25 -10
0723201-4		5 -31	0726028-1		9 -63	0734110-5		25 - 7
0723201-4		6 -35	0726029-1		9 -45	0734110-6		25 - 8
0723600-6		20 -11	0726030-1		9 -41	0734110-7		25 -13
0723605-3		20 -16	0726030-2		9 -41	0734600-17		25 -46
0723605-4		20 -16	0726031-1		9 -79	0734600-8		25 -44
0723610-5		20 - 1	0726038-1		9 -45	0734602-2		25 -14
0723610-6		20 - 1	0726110-1		16 -26	0734602-3		25 -16
0723612-3		20 -17	0726112-1		12 -11	0734602-4		25 -18
0723612-4		20 -17	0726112-1		13 -11	0734602-5		25 -15
0723614-1		20 -10	0726113-1		9 - 8	0734602-6		25 -17
0724115-1		18 -21	0726113-1		9 -10	0734603-1		25 -40
0724115-3		18 -21	0726603-14		16 - 8	0734605-1		25 -26
0724115-4		18 -21	0726603-16		16 - 7	074-01000		71 -16
0726001-17		16 - 1	073-01100		71 -18	0741046-7		69 -58
0726001-18		16 - 1	0731602-1		21 -18	0741046-8		69 -58
0726001-3		16 - 3	0731602-2		21 -19	0741047-2		69 -53
0726002-1		16 -25	0731604-7		21 -29	0741047-2		70 -53
0726002-1		16 -25	0731604-7		22 -31	0741048-7		69 -72
0726003-1		9 -42	0731604-8		21 -30	0741048-8		69 -30
0726003-11		9 -42	0731604-8		22 -32	0741048-8		70 -30
0726003-13		9 -42	0731606-1		21 -37	0741049-5		70 -64
0726003-2		9 -42	0731606-1		22 -36	0741049-6		70 -64
0726003-7		9 -42	0731606-10		21 -37	0741050-1		70 -54
0726004-1		9 - 8	0731606-10		22 -36	0741050-2		70 -54
0726004-2		9 -10	0731606-6-791		23 -31	0741051-5		70 -63
0726005-2		9 -69	0731606-9-791		23 -31	0741051-6		70 -63
0726005-3		9 -69	0731607-1		189 - 9	0741052-200		70 -40
0726008-1		9 - 4	0732001-1		160 -35	0741052-201		70 -40
0726008-2		9 - 5	0732001-1		161 -35	0741053-1		70 -15A
0726008-3		9 -24	0732001-1		161A-10	0741053-2		70 -15A
0726008-4		9 -23	0732001-3		160 -38	0741622-1		69 -46
0726009-5		9 - 2	0732001-4		161 -38	0741622-2		69 -46
0726009-6		9 - 3	0732001-4		161A-13	0741622-3		69 -46
0726010-1		9 -51	0732002-1		160 -40	0741622-4		69 -46
0726010-2		9 -51	0732002-1		161 -40	0741623-1		69 - 9
0726013-1		9 -	0732002-1		161A-14	0741623-1		70 - 9
0726013-2		9 -	0732002-3		160 -43	0741623-4		69 -14
0726013-21		9 -	0732002-3		161 -43	0741623-4		70 -14
0726013-23		9 - 1	0732002-3		161A-17	0741624-1		69 -44
0726013-24		9 - 1	0732100-10		25 -31	0741624-17		69 -44
0726013-26		9 -	0732100-4		25 -30	0741624-18		69 -44



# 182 & T182 Parts Catalog

PART NUMBER	FICHE AND FRAME	FIGURE AND INDEX NO.	PART NUMBER	FICHE AND FRAME	FIGURE AND INDEX NO.	PART NUMBER	FICHE AND FRAME	FIGURE AND INDEX NO.
0741624-2		69 -44	0750125-11		175 -14	0752026-6		123 -44
0741626-1		45 - 4	0750125-2		175 - 2	0752032-1		123 -65
0741626-2		45 - 5	0750125-3		175 - 3	0752037-1		126 -40
0741627-1		45 - 1	0750125-4		175 - 6	0752037-3		128 -30
0741627-2		45 - 2	0750125-5		175 - 9	0752037-3		128 -66
0741629-1		69 - 4	0750125-6		175 -10	0752047-1		123 -44
0741629-1		70 - 4	0750125-7		175 -11	0752048-1		123 -44
0741629-2		69 - 4	0750125-8		175 -12	0752055-1		123 -95
0741629-2		70 - 4	0750125-9		175 -13	0752056-10		123 -27
0741630-1		69 - 1	0750128-11		135 -74	0752056-2		123 -61
0741630-1		70 - 1	0750128-11		135 -85	0752056-20		123 -24
0741630-2		69 - 1	0750131-1		126 -20	0752056-25		123 -24
0741630-2		70 - 1	0750132-1		126 - 3	0752056-28		123 -61
0741632-1		69 - 6	0750132-2		126 - 4	0752056-8		123 -24
0741632-1		70 - 6	0750133-22		126 -29	0752057-1		123 -25
0741633-1		69 - 7	0750133-7		126 -21	0752057-12		123 -25B
0741633-1		70 - 7	0750133-8		126 -22	0752057-13		123 -25A
0741634-17		69 -64	0750133-9		126 -25	0752057-22		123 -25B
0741634-18		69 -64	0750135-1		135 -86	0752057-23		123 -25A
0741634-5		69 -68	0750135-1		135 -89	0752057-28		123 -61A
0741639-5		70 -45	0750135-3		135 -92	0752057-6		123 -61A
0741639-6		70 -45	0750135-4		135 -93	0752057-9		123 -25
0741640-1		70 -47	0750137		126 - 2	0752058-1		123 -59
0741640-2		70 -47	0750138		125 -21	0752058-3		123 -58
0741641-14		70 -72	0750139		125 -42	0752058-4		123 -60
0741641-15		70 -72	0750142-1		126 -33	0752059-13		123 -25C
0741641-5		70 -74	0750142-1		129 -19	0752059-14		123 -25C
0741642-1		70 -47A	0750143-1		126 -36	0752059-17		123 -64
0741642-2		70 -47A	0750144-21		126 -18	0752059-18		123 -64
0742410-27		58 -23	0750144-32		126 -30	0752602-13		123 -43
0742410-27		59 -32	0750144-33		126 -18	0752606-1		123 -54
0742410-8		58 -26	0750152-1		135 -24	0752609-13		123 -49
0742410-8		59 -36	0750152-3		135 -38	0752609-14		123 -50
0743009-1		58 -21	0750159-1		125 -41	0752609-15		123 -51
0743017-1		59 -44	0750161-22		132 - 3	0752609-16		123 -52
0743601-1		62 -27	0750161-22		133 - 3	0752609-20		123 -76
0743601-7		62 -27	0750161-24		132 - 2	0752609-202		123 -68
0743602-1		60 - 1	0750161-24		133 - 2	0752609-203		123 -69
0743604-6		58 - 7	0750161-25		132 - 8	0752609-204		123 -68
0743606-2		28 -15	0750161-36		132 - 7	0752609-205		123 -69
0743607-1		62 - 1	0750161-82		132 - 6	0752609-27		123 -78
0743608-1		60 -13	0750161-82		133 - 7	0752609-28		123 -72
0743608-2		60 -14	0750161-86		132 - 5	0752609-29		123 -73
0743610-1		60 - 4	0750161-87		132 - 6	0752609-30		123 -74
0743612-1		62 - 9	0750161-87		133 - 7	0752609-31		123 -75
0743621-200		62 -	0750161-89		133 - 6	0752609-35		123 -71
0743621-4		62 - 2	0750220-1		191 - 9	0752609-39		123 -76A
0743621-9		62 -14	0750220-1		192 - 6	0752609-40		123 -76B
0743622-1		67 -14	0750220-1		193 - 2	0752609-41		123 -76C
0743623-1		67 - 8	0750220-1		194 - 4	0752609-42		123 -76D
0743623-3		67 -10	0750221-1		192 - 5	0752609-46		123 -52
0743623-4		67 -11	0750230-1		173 -29	0752609-47		123 -51
0743623-6		67 - 9	0750236-1		123 -67	0752609-5		123 -76A
0743624-1		67 -	0750236-3		123 -67	0752609-6		123 -76B
0743625-15		58 -31	0750238-20		133 - 1	0752609-7		123 -76C
0743625-17		58 -31A	0750238-21		133 -	0752609-8		123 -76D
0743626-5		62 -11	0750238-5		133 - 5	0752610-1		184 -13
0743626-9		63 - 8	0750280-1		126 -27	0752611-1		184 -10
0743627-5		58 -32	0750282-1		125 -43	0752612-1		123 -55
0743627-5		59 -21	0750288-1		126 -28	0752612-2		123 -55
0743627-6		58 -32	0750289-1		194 - 7	0752620-3		120 -11
0743627-6		59 -21	0750612-1		125 -28	0752623-1		30 -87
0743628-1		58 - 9	0751600-1		126 - 8	0752623-1		30 -98
0743629-1		59 -23	075180-8		111 - 1	0752623-1		123 -70
075-03700		71 -28	0752005-4		120 - 6	0752625-200		123 -77
0750038-3		129 -23	0752016-10		123 -44	0752637-17		120 -12
0750038-4		129 -22	0752016-11		123 -44	0752637K200		120 - 3
0750111-19		126 -23	0752016-14		123 -44	0752641-7		143 - 5
0750113-1		126 -26	0752016-7		123 -44	0752644-1		196 - 7
0750113-7		137 - 6	0752021-1		123 -44	0752644-1		197 - 7
0750117-21		135 -78	0752023-1		123 -45	0752644-2		196 - 8
0750117-31		135 -95	0752023-1		123 -47	0752644-2		197 - 8
0750125-1		175 - 1	0752023-4		123 -48	0752644-5		196 - 1
0750125-10		175 -15	0752023-5		123 -46	0752644-5		197 -14

# 182 & T182 Parts Catalog

PART NUMBER	FICHE AND FRAME	FIGURE AND INDEX NO.	PART NUMBER	FICHE AND FRAME	FIGURE AND INDEX NO.	PART NUMBER	FICHE AND FRAME	FIGURE AND INDEX NO.
0752644-6		196 - 2	0753028-2		28 -74	0755045-1		135 -47
0752644-6		197 -15	0753029-3		36 -13	0755045-1		135 -67C
0752645-1		123 -66	0753030-1		36 -14	0755046-1		135 -49
0752645-1		197 - 4	0753030-11		36 -15	0755046-1		135 -57
0752645-2		123 -66	0753030-12		36 -16	0756005-2		173 -18
0752645-2		197 - 5	0753030-13		36 -17	0756005-2		174 -17
0752646-1		196 - 5	0753030-14		36 -17	0756005-8		173 -
0752646-1		197 -12	0753030-15		36 -14	0756005-8		174 -
0752647-13		143 - 1	0753030-16		36 -18	0756008-1		173 - 3
0752647-14		143 - 2	0753030-8		36 -18	0756008-1		174 - 3
0752647-3		143 - 1	0753102-1		36 - 7	0756009-1		173 - 9
0752647-4		143 - 2	0753102-11		36 - 8	0756009-1		174 - 9
0752647-7		143 - 1	0753102-2		36 - 8	0756009-8		173 -10
0752647-8		143 - 2	0753102-9		36 - 8	0756009-8		174 -10
0752649-1		123 -48A	0753102-9		37 -10	0756010-6		173 -13
0752700-16		123 -40	0753102-9		37 -13	0756010-6		174 -13
0752700-8		123 -39	0753103-2		36 -	0756011-1		173 - 8
0752700-9		123 -38	0753103-4		36 -	0756011-1		174 - 8
0752706-200		123 -28	0753103-5		36 -	0756012-1		173 -16
0752706-201		123 -28	0753105-3		36 - 4	0756012-1		174 -15
0752706-202		123 -28	0753106-8		36 - 6	0756014-1		173 -11
0752706-29		123 -52	0753107-4		36 - 9	0756014-1		174 -11
0752706-30		123 -53	0753107-7		36 -10	0756015-1		173 - 5
0752706-38		123 -41	0753107-8		36 -11	0756015-1		174 - 5
0752706-39		123 -32	0753108-3		36 - 5	0756022-1		177 -22
0752706-40		123 -33	0753108-4		36 - 5	0756035-1		17 - 3
0752706-41		123 - 3	0753108-5		37 - 8	0756035-5		17 - 3
0752706-42		123 - 4	0753108-6		37 - 8	0760011-2		18 -18
0752706-43		123 - 5	0753600-11		36 - 2	0760014-1		35 -20
0752706-44		123 - 6	0753600-12		36 - 3	0760016-1		152 - 2
0752706-46		123 - 7	0753600-14		36 -23	0760016-4		153 - 2
0752706-47		123 - 1	0753600-19		36 - 1	0760017-2		152 - 4
0752706-48		123 - 9	0753600-19		37 - 1	0760017-2		153 - 4
0752706-49		123 - 2	0753600-23		37 - 9	0760017-4		154 - 9
0752706-51		123 - 8	0753601-16		28 -68	0760017-4		154A- 8
0752706-53		123 - 1	0753601-16		36 -36	0760018-1		152 - 7
0752706-59		123 - 1	0753601-23		36 -36	0760018-1		153 - 7
0752706-67		123 -32	0753602-2		36 -22	0760019-1		152 - 1
0752706-68		123 -33	0753602-3		36 -22	0760019-1		153 - 1
0752706-7		123 -29	0755001-21		135 -11	0760019-10		153 - 1
0752706-8		123 -30	0755001-23		135 -12	0760019-12		153 - 1
0752707-1		123 -79	0755001-24		135 -13	0760019-15		153 - 1
0752713-1		143 - 1A	0755001-25		135 -15	0760019-3		152 - 1
0752713-2		143 - 2A	0755001-25		135 -28	0760021-1		152 -21
0752715-1		123 -80	0755001-27		135 -17	0760021-1		153 -24
0752715-2		123 -81	0755001-28		135 -16	0760022-1		152 - 8
0752715-5		123 -86	0755001-30		135 -26	0760023-1		152 -17A
0752715-6		123 -87	0755001-39		135 -11	0760023-1		153 -19
0752716-1		123 -91	0755003-15		135 -50	0760026-1		169 -47
0752716-2		123 -92	0755003-16		135 -65	0760026-1		170 -31
0752717-1		123 -89	0755004-2		135 -77	0760029-1		153 - 7
0752717-2		123 -90	0755004-3		135 -71	0760035-1		149A- 2
0752718-1		123 -88A	0755004-6		135 -80	0760035-2		149A- 5
0752718-2		123 -88A	0755004-9		135 -68	0760036-1		149A- 3
0752718-3		123 -88	0755005-1		135 - 1	0760036-2		149A- 6
0752718-4		123 -88	0755005-3		135 - 3	0760037-1		149A-42
0752719-1		141 -25	0755005-4		135 - 4	0760037-2		149A-44
0752720-1		123 -55A	0755005-5		135 - 5	0760037-4		149A-45
0752720-2		123 -55B	0755005-6		135 - 6	0760101-3		151 -26
0752721-1		123 -55C	0755005-9		135 - 1	0760103-1		151 -28
0752721-2		123 -55D	0755006-1		135 -42	0760104-2		151 -38
0752722-1		123 -94	0755007-1		135 - 7	0760105-5		28 -62
0752723-1		123 -93	0755007-3		135 - 7	0760105-5		29 -13
0752724-1	#	126 -45	0755008-1		135 -58	0760105-6		28 -62
0753000-13		36 -27	0755009-1		135 -20	0760105-6		29 -13
0753000-13		37 -16	0755010-1		135 -22	0760106-1		151 -65
0753003-1		38 -22	0755011-1		135 -35	0760107-1		151 -67
0753004-1		36 -28	0755012-1		135 -29	0760107-2		151 -67
0753004-1		37 -17	0755012-2		135 -33	0760111-1		151 -55A
0753004-2		36 -28	0755012-4		135 -30	0760121-1		151 -38
0753004-2		37 -18	0755040-1		135 -40	0760128-1		165 -30
0753027-1		28 -38	0755040-2		135 -56	0760129-1		56 -30
0753027-2		28 -39	0755040-3		135 -48	0760130-1		158 -19
0753028-1		28 -74	0755040-4		135 -63	0760133-1		159 -22

# 182 & T182 Parts Catalog

PART NUMBER	FICHE AND FRAME	FIGURE AND INDEX NO.	PART NUMBER	FICHE AND FRAME	FIGURE AND INDEX NO.	PART NUMBER	FICHE AND FRAME	FIGURE AND INDEX NO.
0760137-1		40 -45	0760671-1		165 -27	0762054-3		163 -30
0760137-1		41 -44	0760673-1		36 -26	0762054-4		163 -30
0760137-1		44 -12	0760673-1		37 -15	0762054-5		163 -29
0760137-1		44 -92	0760674-1		151 -30	0770139EC1		102 -51
0760137-1		56 -25	0760675-5		158 -10	0770139EC1		102A-49
0760138-1		40 -46	0760676-1		25 -58	0770139KA1		185 -22
0760138-1		41 -45	0760678-1		149 - 2	0770139KA3		185 -23
0760139-1		40 -48	0760678-2		149 - 3	0770139PA2		185 -21
0760139-1		41 -47	0760680-1		157 -26	0770139PA2		202 -13
0760141-1		40 -48	0760680-2		157 -26	0770139PA5		202 - 8
0760141-1		41 -48	0760681-1		151 -38	0770139PB11		194 -10
0760142-1		44 -90	0760681-1		151 -38	0770139PB12		194 - 9
0760143-1		40 -47	0760682-1		149 - 6	0770139PB13		194 -16
0760143-1		41 -46	0760682-1		149A-10	0770139PB14		194 -17
0760143-1		44 -10	0760685-1		158 -25	0770139PC2		199 -24
0760143-1		44 -89	0760686-1		151 -56	0770139PC3		199 -20
0760144-1		30 - 3	0760686-12		151 -57	0770139PC3		202 - 9
0760144-1		35 -11	0760687-2		158 -18	0770139PC4		199 -21
0760144-2		30 - 4	0760691-1		28 -40	0770139PC5		199 -21
0760144-2		35 -12	0760691-1		29 -22	0770139PC7		199 -20
0760145-1		35 - 5	0760691-1		151 -33	0770139PC9		199 -24
0760145-4		35 - 5	0760691-2		28 -41	0770416JA6		185 -23
0760146-1		35 - 9	0760691-2		29 -23	0770416MG1		192 -13
0760602-1		31 -21	0760691-2		151 -33	0770416MG4		192 -12
0760602-1		32 -25	0760693-1		151 -54	0770416PA1		200 - 3
0760602-2		31 -21	0760693-2		151 -55	0770416PA1		201 - 7
0760602-2		32 -25	0760695-1		151 -33	0770416PA11		185 -22
0760604-1		149 -35	0760695-2		151 -33	0770416PA11		200 -10
0760604-1		149A-41	0760695-3		151 -33	0770416PA11		201 -21
0760604-2		149 -36	0760695-3		151 -33	0770416PA12		185 -21
0760604-2		149A-43	0760700-1		151 -64	0770416PA13		202 - 8
0760605-1		149 -37	0760701-1		151 -68	0770416PA14		202 -13
0760605-1		149A-46	0760703-1		18 - 1	0770416PA4		200 -10
0760607-3		7 -47	0760703-2		18 - 1	0770416PA4		201 -21
0760607-3		8 - 6	0760703-5		157 -38	0770416PA9		185 -17
0760607-4		7 -47	0760703-6		157 -38	0770416PC3		198 -18
0760607-4		8 - 6	0760704-1		18 - 8	0770416PC4		198 -17
0760609-1		8 - 7	0760705-5		18 - 1	0770416PC6		198 -18
0760609-1		157 -37	0760705-7		18 - 1	0770416PC7		202 - 9
0760610-1		157 -31A	0760707-1		165 -26	0770610PA10		184 -57
0760610-2		157 -32	0760710-1		149A-15A	0770610PA11		184 -56
0760610-3		157 -25	0760710-2		149A-33	0770610PA13		184 -28
0760610-5		159 -30	0761202-2		158 -21	0770610PA8		184 - 8
0760612-7		163 -29	0761202-4		158 -14	0770610PC2		184 -27
0760614-1		163 -48	0761210-1		155 - 9	0770719-2		98 -71
0760615-1		157 -50	0761210-1		156 -10	0770719-2		184 -32
0760615-1		163 - 9	0761210-5		155 -11	0770728-1		200 - 8
0760616-1		157 -50	0762007-2		28 -28	0770728-1		201 -20
0760616-1		163 - 9	0762024-24		163 -30	0770741-2		202 - 6
0760617-1		7 -45	0762035-1		190 - 1	0770750-254		181 -98D
0760617-1		9 -65	0762036-1		190 - 4	0770780-1		101 -75
0760618-1		7 -37	0762037-3		33 -20	0770780-1		101A-73
0760618-1		9 -59	0762037-3		34 -19	0770780-2		101 -75
0760618-2		7 -38	0762037-3		34A-22	0770780-2		101A-73
0760618-2		9 -60	0762037-7		33 -19	0782001-1		148 - 8
0760619-1		163 -38	0762037-9		34 -17	079-00300		71 -27
0760620-1		163 -47	0762037-9		34A-20	0800030-19		181 -51
0760620-11		163 -47	0762038-1		164 -22	0800030-19		182 -49
0760620-9		163 -47	0762038-2		164 -25	0800045-11		183 -29
0760622-1		60 - 6	0762039-1		164 -19	081-00100		71 -27
0760630-1		60 -12	0762040-1		164 -26	0811490-75		148 -35
0760633-1		151 -40	0762041-1		164 -23	0813150-73		148 -35
0760642-2		151 -19	0762042-1		28 -25B	0813150-75		148 -29
0760644-1		151 - 3	0762043-2		45 -25	0813156-4		148 -34
0760646-2		151 - 2	0762044-1		42 -22	0841200-15		62 -20
0760649-2		151 -66	0762044-1		43 -27	0841200-15		63 -28
0760651-2		151 -38	0762045-3		44 -68	0841200-19		62 -17
0760651-2		151 -38	0762046-1		36 -29	0841200-19		63 -12
0760654-1		151 -50	0762046-1		37 -19	0841200-25		62 -19
0760655-1		151 -51	0762047-2		42 -12	0841200-25		63 -27
0760660-1		60 -10A	0762049-1		164 - 8	0841200-56		63 - 6
0760667-2		165 -26	0762050-2		164 - 3	0851559-1		126 - 7B
0760669-1		149 - 9	0762053-1		42 -12	0851700-96		135 -94
0760669-3		149 -27	0762053-1		43 -15	0882590		102 -62

# 182 & T182 Parts Catalog

PART NUMBER	FICHE AND FRAME	FIGURE AND INDEX NO.	PART NUMBER	FICHE AND FRAME	FIGURE AND INDEX NO.	PART NUMBER	FICHE AND FRAME	FIGURE AND INDEX NO.
0882590		102A-59	1200193-11		90 -15	1205001-120		3 -34
0890018-2		3 -99C	1200193-11		90A-10	1205001-121		3 -35
0890018-2		4 -16A	1200217-26		90 -10	1205001-139		3 -23
0890018-3		3 -99D	1200217-26		90A-17	1205024-1		3 -11
0890018-3		4 -16B	1200217-4		90 - 8	1205024-1	52	-11
091-04400		71 -14	1200217-5		90 - 9	1205024-2	3	-82
092-01700		71 -20	1200217-5		90A-16	1205024-2	4	-30
0935		201 - 3	1200217-8		90 -14	1205043-1	3	-12
0935		202 - 3	1200217-8		90 -16	1205043-1	4	- 6
094-10300		64 -11	1200217-8		90A- 9	1205083-1	4	-40
094-10300		71 -14	1200231-1		88 - 7	1205085-1	3	-22
094-10300		71 -25	1200231-2		88 - 8	1205085-1	4	-18
095-10200		71 -23	1200231-3		88 - 7	1205086-1	3	-54
095-10200		71 -26	1200231-3		89 -11	1205102-1	3	-46
095-10400		64 -10	1200231-4		88 - 8	1205102-2	3	-47
095-10400		71 -13	1200231-4		89 -12	1205201-1	3	-78
1H5-23		180C-13	1200415-7		181 -36	1205201-2	3	-79
1K1-6-10		178 -35	1200417-100		182 -87	1205204-1	4	-26
1K1-6-10		179 -34	1200417-101		182 -88	1205237-1	3	-83
1RA6		59 - 3	1200417-102		182 -85	1205237-2	3	-83
10-8001C		181 -68	1200417-104		183 -46	1205253-1	3	-16
10-8001C		181 -69	1200417-105		183 -44	1205253-1	4	-35
10-8001C		182 -63	1200417-115		183 -37	1210020-10	40	-14
10-8001C		182 -64	1200417-119		182 -87	1210020-10	41	-13
10-8001C		183 -56	1200417-119		183 -40	1210032-8	40	-63
10-8001C		183 -57	1200417-120		182 -88	1210032-8	41	-66
100-1-2M		145A-37	1200417-120		183 -42	1210032-9	40	-63
100-2M		89A-13	1200417-127		183 -34A	1210032-9	41	-66
100-2M		89B- 6	1200417-128		183 -35A	1210051-1	31	-20
1007		1 - 4	1200417-129		183 -37A	1210051-1	32	-24
101-05200		71 -21	1200417-17		181 -94A	1210051-2	31	-20
1024A-B		1 - 3	1200417-51		181 -90	1210051-2	32	-24
103-10500		64 - 9	1200417-51		182 -82	1210112-11	145	-33
103-11000		71 -12	1200417-51		183 -34	1210112-13	145	-32
103-11700		71 -22	1200417-52		181 -91	1210112-22	145	-30
105-00200		71 -17	1200417-52		182 -83	1210112-23	145	-31
105-00200		71 -19	1200417-52		183 -35	1210112-28	145	-34
10614A		128 -16	1200417-69		181 -93	1210112-29	145	-26
10614A		130 - 5	1200417-84		181 -96B	1210112-4	145	-27
10614R		130 - 5	1200417-85		181 -95A	1210427-10	44	-85
110691		1 - 55	1200417-94		181 -96D	1210427-13	44	-80
110691		98 -50	1200417-94		182 -94	1210427-14	44	-81
110691		99 -52	1200417-95		181 -94A	1210427-9	44	-84
110691		100 -47	1200417-99		182 -89	1211048-1	181	-13
1182-W5		130 -17	1200429-12		183 -70	1211048-1	182	-13
12-4862		181 -65	1200429-15		183 -73	1211054-2	181	-12
12-4862		182 -61	1200503-1		91 -45	1211054-2	182	-12
12-4862		183 -53	1200504-3		91 -43	1211054-3	183	- 9
12RB		152 -18	1200542-4		85 -36	1211061-61	77	-54
12RB		153 -18	1200612-10		84 -22A	1211076-1	40	-26
12000106-243		177 -12	1200612-5		84 -23	1211076-1	41	-24
1200018-3		145A-57	1200612-6		84 -28	1211076-2	181	- 8
1200065-23		16 - 2	1200637-2		144 -16	1211076-2	182	- 8
1200065-24		16 - 2	1200637-2		145 -10	1211076-2	183	- 5
1200106-108		126 -11	1200637-5		10 - 9	1211077-5	40	-24
1200106-243		127 -33	1200637-5		11 -10	1211077-5	41	-22
1200106-266		9 -82	1200659-29		40 -35C	1211077-5	181	- 6
1200106-267		9 -82	1200659-29		41 -34	1211077-5	182	- 6
1200106-51		169 - 1	1200691-1		144 -22	1211077-5	183	- 3
1200127-1		88 -30	1200691-1		145 -14	1211081-1	188	-13
1200127-1		89 -37	1200749-1		98 -55	1211089-1	40	-26
1200136-1		93 -48	1200749-1		99 -58	1211089-1	41	-24
1200136-1		94 -56	1200812-1		20 - 3	1211089-2	181	-10
1200138-2		93 -33	1201039-1		112 - 2	1211089-2	182	-10
1200138-2		93 -55	1201074-1		119C-16	1211089-2	183	- 7
1200138-2		94 -41	1201075-4		178 -70	1211090-1	181	-14
1200138-2		94 -63	1201075-4		179 -28	1211090-1	182	-14
1200159-3		93 -53	1201075-4		180 -30	1211090-1	183	-12
1200159-3		94 -61	1201075-4		180A-34	1211203-1	88	-29
1200191-4		143 - 8	1201075-4		180B-30	1211203-1	89	-36
1200191-5		143 - 9	1201111-1		119 - 5	1211527-11	88	-42
1200191-6		143 -10	1201112-1		119 - 9	1211527-11	89	-53
1200191-7		143 -11	1201113-1		119 - 8	1211527-11	88	-42
1200191-8		143 -12	1201114-3		119 - 1	1211527-12	89	-53

# 182 & T182 Parts Catalog

PART NUMBER	FICHE AND FRAME	FIGURE AND INDEX NO.	PART NUMBER	FICHE AND FRAME	FIGURE AND INDEX NO.	PART NUMBER	FICHE AND FRAME	FIGURE AND INDEX NO.
1211527-13		88 -43	1213169-12		106A-28	1213363-18		101A-10
1211527-13		89 -54	1213170-8		103 -47	1213363-18		102A-10
1211527-14		88 -43	1213170-8		104 -48	1213363-6		98 - 8
1211527-14		89 -54	1213170-9		105 -50	1213365-1		98 -20
1211527-6		88 -44	1213170-9		105A-54	1213366-1	<	98 -21
1211527-6		89 -55	1213170-9		106 -51	1213374-11		103 - 5
1212010-11-791		57 - 1	1213170-9		106A-53	1213374-12		103 - 8
1212010-15-791		57 - 1	1213293-1		116 - 4	1213374-5		103 - 5
1212126-1		56 -22	1213309-10		123 -35	1213374-6		103 - 8
1212127-1		56 -19	1213309-5		123 -34	1213377-1	<	98 -19
1212127-3		56 -21	1213309-6		123 -35	1213381-1	<	98 -18
1212144-1		43 -21	1213309-9		123 -34	1213387-7	<	103 -23
1212145-1		43 -23	1213317-10		3 -37	1213387-9		104 -21
1212146-1		43 -25	1213317-7		98 -13	1213398-1		98 -20A
1212147-1		43 -20	1213317-7		99 -15	1213399-1	<	98 -21A
1212150-1		43 -26	1213317-9		111 - 5	1213412-11		28 -34
1213004-1		102A-84	1213319-13		187 -11	1213412-11		147 -25
1213004-2		98 -28	1213319-13		187 -21	1213618-1		145 -65
1213004-2		99 -27	1213319-15		186 -18	1213618-1		145 -65
1213004-2		101A-23	1213319-16		186 -18	1213645-1		103 -48
1213008-5		28 -22	1213319-17		187 -11	1213645-1		104 -49
1213008-5		28 -22	1213319-18		186 -18	1213645-1		105 -51
1213008-5		30 -11	1213319-19		187 -11	1213645-1		105A-55
1213037-1		141 -11	1213319-7		186 - 1	1213645-1		106 -52
1213037-1		142 -11	1213319-8		186 - 2	1213645-1		106A-54
1213062-11		103 -33	1213321-2		186 - 7	1213650-1		103 - 4
1213062-18		104 -31	1213321-2		186 -23	1213650-1		104 - 4
1213062-18		105 -32	1213321-2		187 -16	1213650-1		105 - 4
1213062-18		105A-36	1213321-2		187 -26	1213650-1		105A- 4
1213062-18		106 -32	1213327-1		99 -19	1213650-1		106 - 4
1213062-18		106A-36	1213327-1		107 - 8	1213650-1		106A- 4
1213079-1		141 - 4	1213327-1		107 -19	1213694-2		103 -23
1213079-1		142 -26	1213327-10		99 - 6	1213716-1		98 -78
1213115-1		31 -24	1213327-10		99 -20	1213716-1		99 -80
1213115-2		31 -24	1213327-10		107 -20	1213716-1		100 -74
1213127-10		32 - 5	1213327-10		107 -29	1213718-1		28 -71
1213127-4		31 - 5	1213327-12		103 -46	1213752-1		166 -39A
1213127-4		32 - 5	1213327-14		103 -46	1213756-1		99 -22
1213145-1		103 -12	1213327-7		99 - 5	1213756-1		100 -19
1213145-1		104 -11	1213327-7		107 -13	1213756-1		101 -17
1213145-1		105 -12	1213327-7		107 -28	1213756-4		101 -17
1213145-1		106 -12	1213327-8		99 -22	1213756-4		101A-17
1213147-1		151 -23	1213335-1		100 -18	1213756-4		102 -20
1213152-3		188 - 5	1213335-1		101A-15	1213756-4		102A-18
1213152-4		188 - 4	1213335-1		102A-16	1213757-1		99 -12
1213158-4		127 -30	1213335-1		107 - 8	1213757-1		100 -13
1213158-4		177 - 8	1213335-1		109A- 3	1213780-4		111 - 1A
1213163-1		101 - 3	1213335-1		110A- 3	1213780-9		111 - 1A
1213163-1		101A- 3	1213335-2		101A-15	1213783-1		100 -14A
1213163-1		102 - 3	1213335-2		102A-16	1213929-1		28 -45
1213163-1		102A- 3	1213335-2		109A- 3	1213929-1		29 -35
1213163-1		109 - 8	1213335-2		110A- 3	1213942-1		75 -24
1213163-1		109A- 7	1213335-4		98 -17	1213942-1		76 -13
1213163-1		110 - 9	1213335-4		99 -21	1213942-2		77 -21
1213163-1		110A- 7	1213335-4		101 -15	1213942-2		78 -10
1213163-2		98 - 4	1213335-4		102 -18	1213942-2		79 -24
1213163-2		99 - 3	1213335-4		107 -23	1213942-2		80 -12
1213163-2		100 - 3	1213335-4		108 - 4	1213957-3		99 -30
1213163-2		101 - 3	1213335-4		109 - 4	1213957-3		100 -26
1213163-2		101A- 3	1213335-4		110 - 5	1213957-3		101 -25
1213163-2		102 - 3	1213335-6		101 -15	1213957-3		101A-25
1213163-2		102A- 3	1213335-6		102 -18	1213957-3		102 -27
1213163-2		107 -13	1213335-6		109 - 4	1213957-3		102A-25
1213163-2		107 -30	1213335-6		110 - 5	1213957-4		99 -31
1213163-2		108 - 8	1213337-3		103 -22	1213957-4		100 -27
1213163-2		109 - 8	1213337-9		103 -22	1213957-4		101 -26
1213163-2		109A- 7	1213363-11		99 - 9	1213957-4		101A-26
1213163-2		110 - 9	1213363-11		100 -10	1213957-4		102 -28
1213163-2		110A- 7	1213363-13		101 -10	1213957-4		102A-26
1213169-12		103 -28	1213363-13		102 -12	1213996-1		145A- 5
1213169-12		104 -26	1213363-14		101 -10	1213997-1		145A- 1
1213169-12		105 -27	1213363-14		102 -12	1213998-1		145A- 7
1213169-12		105A-29	1213363-17		101A-10	1213999-1		145A-11
1213169-12		106 -27	1213363-17		102A-10	1214062-5	#	91 -15

# 182 & T182 Parts Catalog

PART NUMBER	FICHE AND FRAME	FIGURE AND INDEX NO.	PART NUMBER	FICHE AND FRAME	FIGURE AND INDEX NO.	PART NUMBER	FICHE AND FRAME	FIGURE AND INDEX NO.
1214062-5	#	92 -11	1217046-4		77 - 6	1217089-4		80 -53
1214062-5	#	93 -10	1217046-4		78 -57	1218001-1		145A- 6
1214062-5	#	94 -17	1217046-4		79 - 6	1220006-21		14 -15
1214098-1	<	94 -15	1217046-4		80 -71	1220006-22		14 -15
1215012-2		40 -27	1217046-5		75 - 8	1220007-30		9 -30
1215012-3		40 -27	1217046-5		76 -76	1220007-30		14 -20
1215073-1		91 -52	1217046-5		77 - 8	1220007-62		14 -18
1215073-1		96 -50	1217046-5		78 -59	1220007-63		14 -18
1215073-1		96A-53	1217046-5		79 - 8	1220019-13		7 -42
1215073-1	#	92 -54	1217046-5		80 -73	1220019-17		7 -43
1215073-1	#	93 -90	1217046-6		75 -10	1220019-18		9 -66
1215073-1	#	94 -97	1217046-6		76 -79	1220019-18		7 - 9
1215073-1	#	95 -39	1217046-6		77 -10	1220019-19		7 -11
1215073-10		91 -53	1217046-6		78 -62	1220019-20		7 -11
1215073-10		96 -51	1217046-6		79 -10	1220019-21		7 -13
1215073-10		96A-54	1217046-6		80 -76	1220019-22		7 -13
1215073-10	#	92 -55	1217048-1		76 -36	1220019-35		7 -42
1215073-10	#	93 -91	1217048-2		78 -30	1220022-3		16 -42
1215073-10	#	94 -98	1217048-2		80 -32	1220092-1		7 -48
1215073-10		95 -40	1217049-1		81 -	1220092-1		8 - 5
1215073-5		92 -56	1217049-2		81 -	1220092-2		7 -48
1215073-5		96 -52	1217049-3		81 -22	1220092-2		8 - 5
1215073-5		96A-55	1217049-4		81 -22	1220094-2		5 -18
1215076-1		84 -40	1217049-7		81 -	1220094-2		6 -17
1215076-1		85 -19	1217049-8		81 -	1220095-3		14 -24
1215109-8		88 -12	1217050-3		75 - 9	1220095-3		15 -12
1215151-5		76 -59	1217050-4		77 - 9	1220114-1		19 -11
1215151-6		78 -41	1217050-4		79 - 9	1221010-15		7 -28
1215151-6		80 -49	1217050-5		76 -77	1221010-15		9 -55
1215169-2		154 -23	1217050-6		78 -60	1221024-1		12 - 4
1215171-1		88 -28	1217050-6		80 -74	1221101-3		7 - 6
1215171-1		89 -35	1217050-9		76 -42	1221101-4		7 - 6
1215178-1		187 -30	1217052-2		77 -50	1221201-3		5 -45
1215178-2		187 -36	1217052-2		78 -37	1221201-3		6 -38
1215179-1		187 -27	1217053-2		75 - 5	1221201-4		5 -45
1215179-2		187 -33	1217053-2		77 - 5	1221201-4		6 -38
1216110-5		172 - 5	1217053-2		79 - 5	1222012-1		5 -13
1216110-5		172A- 5	1217053-4		75 - 5	1222012-1		9 -37
1216604-2		33 -18B	1217053-4		76 - 5	1222013-7		9 -32
1216604-2		34A-18	1217053-4		77 - 5	1222013-7		14 -17
1217000-206		76 -24	1217053-4		78 - 5	1222013-7		14 -19
1217000-207		78 -21	1217053-4		79 - 5	1222013-8		9 -33
1217000-208		80 -23	1217053-4		80 - 5	1222013-8		14 -17
1217000-24		76 -27	1217056-10		80 -50	1222013-8		14 -19
1217000-25		78 -22	1217056-5		75 -28	1222021-1		9 -28
1217000-26		80 -24	1217056-6		79 -48	1222021-1		14 -25
1217035-1		75 -43	1217058-1		75 -75	1222021-1		15 -11
1217035-1		77 -24	1217058-1		77 -52	1222021-1		15 -16
1217035-1		79 -27	1217058-1		79 -22	1222022-1		5 -19
1217036-10		77 -51B	1217059-1		78 -49	1222022-1		6 -16
1217036-10		79 -54	1217059-1		80 -56	1222033-2		9 -12
1217036-3		75 -42A	1217063-1		75 -69	1231000-17		21 -33
1217036-4		77 -51B	1217063-1		76 -50	1231000-18		21 -31
1217036-8		75 -42A	1217063-2		79 -70	1231000-4		21 -32
1217038-1		75 -32	1217063-2		80 -38	1231000-7		21 -39
1217038-1		76 -25	1217063-3		75 -68	1231001-11		23 -
1217038-1		77 -30	1217063-3		76 -49	1231001-13		23 -
1217038-1		78 -21	1217063-3		79 -69	1231001-3		23 -30
1217038-1		79 -34	1217063-3		80 -37	1231002-4		21 - 9
1217038-1		80 -23	1217065-1		86 - 8	1231002-4		22 - 8
1217038-2		75 -33	1217065-2		75 -74	1231002-5		21 - 8
1217038-2		76 -26	1217065-2		79 -75	1231002-5		22 - 7
1217038-2		77 -29	1217065-2		86 - 8	1231002-7		21 - 9
1217038-2		78 -20	1217065-3		76 -23	1231005-3		21 -14
1217038-2		79 -33	1217065-4		80 -10	1231005-3		22 -17
1217038-2		80 -22	1217066-1		75 -66	1231006-1		21 -13
1217045-202		77 -22	1217066-1		76 -47	1231006-1		22 -16
1217045-203		75 -25	1217066-2		79 -67	1231007-1		21 -12
1217045-204		77 -22	1217066-2		80 -35	1231007-1		22 -15
1217045-213		75 -25	1217088-17		76 -67	1231008-1		21 -11
1217045-214		79 -25	1217088-17		78 -50	1231008-5		21 -11
1217045-215		79 -25	1217088-17		80 -64	1231009-1		21 -16
1217046-3		75 - 6	1217089-3		76 -55	1231009-3		21 -17
1217046-3		76 -74	1217089-4		78 -33	1231010-3		21 -10

# 182 & T182 Parts Catalog

PART NUMBER	FICHE AND FRAME	FIGURE AND INDEX NO.	PART NUMBER	FICHE AND FRAME	FIGURE AND INDEX NO.	PART NUMBER	FICHE AND FRAME	FIGURE AND INDEX NO.
1231010-3		22 - 9	1231064-3		189 -10	1234608-4		25 -57
1231014-4		22 -30	1231070-1		21 - 9A	1234610-1		25 -34
1231014-5		21 -28	1231070-1		22 - 8A	1234611-1		25 -35
1231014-5		22 -30	1232015-1		160 -39	1234612-1		25 -19
1231014-6		21 -27	1232015-1		161 -39	1234613-1		25 -33
1231014-6		22 -29	1232015-1		161A- 9	1234613-2		25 -37
1231015-1		23 - 4	1232040-3		24 -58	1234613-3		25 -38
1231015-2		23 - 5	1232105		24 -20	1234613-4		25 -36
1231015-3		23 - 6	1232106		24 -21	1234613-5		25 -39
1231016-1		23 - 7	1232108-1		24 -19	1234614-1		25 -27
1231017-1		23 - 8	1232114-1		24 - 8	1234626-1		24 -13
1231021-12		23 -16A	1232116		24 - 6	1234630-1		25 -32
1231021-7		23 -18	1232118-1		24 -28	1241061-1		69 -26
1231021-8		23 -17	1232118-2		24 -29	1241061-1		70 -26
1231021-9		23 -16	1232139-1		24 -35	1241114-1		70 -64A
1231022-1		23 -19	1232139-3		24 -35	1241114-2		70 -64A
1231023-1		21 -24	1232140-1		24 -34	1241115-3		70 -54
1231023-1		22 -26	1232141-1		24 -47	1241115-4		70 -54
1231023-16		23 -20	1232142-1		24 -45	1241156-2		64 -
1231023-17		23 -22	1232143-1		24 -52	1241214-2		69 - 2
1231023-18		23 -24	1232400-1		24 -49	1241214-2		70 - 2
1231023-19		23 -21	1232400-2		24 -49	1243021-1		62 -18
1231023-2		21 -23	1232600-19		24 -41	1243021-1		63 -11
1231023-2		22 -25	1232600-2		24 -38	1243030-5		62 -56
1231023-20		23 -23	1232600-206		24 -40	1243030-6		62 -56
1231023-21		23 -25	1232600-207	@ @ @	24 -	1243030-7		62 -56
1231023-3		21 -22	1232600-208		24 -	1243626-1		62 -24
1231023-3		22 -24	1232600-209		24 -	1243626-1		63 -30
1231026-1		23 -26	1232600-3		24 -39	1247243		102 -61
1231026-2		23 -26	1232600-31		24 -	1247243		102A-58
1231029-1		23 -10	1232600-32		24 -38	1250024-1		125 -23A
1231029-2		23 -10	1232600-4		24 -40	1250025-1		125 -23E
1231030-1		23 - 9A	1232600-7		24 -	1250025-1		142 -18
1231031-1		23 - 9B	1232601-1		24 -15	1250025-1		142 -23
1231032-2		23 -11	1232602-1		24 -14	1250026-1		125 -23B
1231033-1		23 - 9	1232603-1		24 -16	1250115-3		28 -66
1231048-2		21 -36	1232603-2		24 -22	1250115-3		146 -32
1231049-1		21 -15	1232604-1		24 -37	1250115-3		147 -31
1231049-1		22 -18	1232604-2		24 -37	1250115-4		146 -35
1231049-2		21 -20	1232605-1		24 - 5	1250115-4		147 -34
1231049-2		22 -22	1232606-1		24 -30	1250116-1		28 -66
1231049-3		21 -21	1232606-2		24 -31	1250116-1		146 -30
1231049-3		22 -23	1232610-1		24 - 6	1250116-1		147 -29
1231050-2		21 -40	1232610-2		24 - 3	1250211-4		184 - 9
1231050-2		22 -44	1232610-3		24 - 7	1250213-15		191 -15
1231052-1		50 -53	1232610-4		24 - 4	1250214-1		191 - 5
1231052-1		51 -52	1234023-1		24 -36	1250215-1		191 - 8
1231056-1		21 -26	1234600-1		25 -	1250405-1		177 -25
1231056-1		22 -28	1234600-12		25 -33	1250410-3		177 -20
1231057-1		21 -	1234600-13		25 -45	1250410-5		3 -36
1231057-10		22 -39	1234600-14		25 -47	1250412-3		120 -10
1231057-11		22 -33	1234600-15		25 -52	1250503-1		146 -25
1231057-12		22 -34	1234600-16		25 -53	1250503-1		147 -25
1231057-15		22 -	1234600-2		25 -	1250503-2		146 -25
1231057-16		21 -	1234600-3		25 -54	1250503-2		147 -25
1231057-17		22 -	1234600-4		25 -55	1250816-2		138 -25
1231057-18		21 -	1234600-5		25 -48	1250816-3		138 -36
1231057-3		21 -34	1234600-6		25 -49	1250860-29		134 -12
1231057-4		21 -35	1234600-7		25 -50	1250913-1		138 -26
1231057-9		22 -38	1234600-8		25 -51	1250922-5		177 -27
1231058-1		21 -25	1234601-1		25 -24	1250922-6		177 -21
1231058-1		22 -27	1234601-2		25 -25	1250929-2		138 -50
1231059-1		21 -42	1234602-1		25 - 3	1250961-5		135 -52
1231059-1		22 -42	1234602-2		25 - 3	1250961-5		135 -61
1231059-1		189 -10	1234602-3		25 - 4	1250961-6		135 -44
1231060-1		22 -19	1234602-4		25 - 5	1250961-7		135 -59
1231060-3		22 -20	1234603-1		25 -22	1250966-3		135 - 9
1231062-5		22 -12	1234603-2		25 -23	1250969-5		135 -66
1231063-1		22 -21	1234604-1		25 -20	1250969-6		135 -64
1231064-1		21 -42	1234605-11		25 -42	1250969-7		135 -41
1231064-1		22 -42	1234605-12		25 -43	1253037-1		146 - 6
1231064-1		189 -10	1234606-1		25 -29	1253037-12		146 - 6
1231064-3		21 -42	1234607-1		25 -28	1253037-12		147 - 9
1231064-3		22 -42	1234608-3		25 -56	1253041-1		146 - 7

# 182 & T182 Parts Catalog

PART NUMBER	FICHE AND FRAME	FIGURE AND INDEX NO.	PART NUMBER	FICHE AND FRAME	FIGURE AND INDEX NO.	PART NUMBER	FICHE AND FRAME	FIGURE AND INDEX NO.
1253041-1		147 -11	1260611-8		164 - 2	1414103-2		91 -20
1260049-1		162 - 8	1260664-1		151 - 4	1414103-45		91 -21
1260064-1		163 -12	1260665-1		151 -13	1414103-6		91 -22
1260074-1		162 - 1	1260668-3		151 -20	1414103-62		92 -26
1260074-7		162 - 2	1262001-3		103 -10	1414103-64		92 -27
1260078-102		157 -14	1262001-3		104 - 9	1414104-36		92 -32
1260078-103		157 -15	1262001-3		105 -10	1414104-39		91 -28
1260078-2		151 -45	1262001-3		105A- 8	1414104-4		91 - 3
1260078-2		157 -14	1262001-3		106 -10	1414104-4		95 -32
1260078-3		151 -46	1262001-3		106A- 8	1414104-41		91 -30
1260078-3		157 -15	1262001-3		164 -15	1414104-42		91 -30
1260078-5		151 -43	1262005-1		157 -51	1414104-44		92 -34
1260078-5		157 -13	1270060-1		152 -22	1414104-54		93 -84
1260105-109		165 - 7	1270092-14-A59		102 -78	1414104-61		91 -29
1260105-9		165 - 7	1270092-17-A59		102 -78	1414104-65		92 -33
1260112-1		151 -61	1270310-1		32 -53	1414104-66		92 -33
1260112-2		151 -62	1270310-2		32 -53	1414104-67		92 -32
1260113-1		162 -19	1270479-13		101 -49	1414104-68		92 -34
1260113-2		162 -20	1270479-13		101A-48	1414104-71		92 -32
1260128-9		163 -33	1270479-3		102 -51	1414104-72		92 -33
1260140-17		151 - 1	1270479-3		102A-49	1414104-73		92 -39A
1260140-9		151 - 1	1270479-4		101 -49	1414104-8		91 -41
1260141-10		151 -34	1270479-5		109 -11	1414104-8		92 -39
1260141-15		151 -34	1270483-2		153 -21	1414107-1		91 -50
1260141-6		151 -34	1270483-2		154 -15	1414107-1		95 -17
1260143-12		151 - 1	1270483-2		154A-14	1414107-2		95 -17
1260144-3		112 -24	1270623-5		50 -78	1414112-1		91 -27
1260144-4		112 -24	1270682-1		152 - 9	1414116-1		91 -40
1260147-1		162 -14	1270682-1		153 - 8	1414116-1		92 -24
1260148-1		151 -12	1270707-1		103 -36	1414116-1		93 -70
1260153-2		160 -17	1270707-1		104 -34	1414116-1		94 -79
1260153-2		161 -17	1270707-2		103 -36	1414116-4		92 -24
1260153-3		161 - 1	1270707-2		104 -34	1414116-4		94 -79
1260153-5		160 - 1	1270718-201		22 -40	1414211-22		95 -26
1260154-1		160 -12	1270840-1		154 -22	1414211-58		95 -11
1260154-1		161 -12	1270842-1		154 -31	1414211-59		95 -11
1260155-1		160 -28	1270843-2		154 -18	1414223-34		91 -48
1260155-1		161 -28	1270843-2		154A-23	1414230-1		91 -12
1260155-4		160 -10	1270844-1		154 -45	1414230-2		95 -36
1260155-4		161 -10	1270845-1		154 -27	1414231-2		95 -14
1260155-5		160 -10	1270858-1		154 -24	1426026-1		171 - 9
1260155-5		161 -10	13947100-1(5R)		101 -29	1441003-1		70 -19
1260156-1		160 -18	1400019-66		3 -90	1442112-1		68 - 1
1260156-1		161 -18	1400019-80		3 -88	1442113-1		68 -11
1260156-2		160 -24	1400019-89-EB4		4 -32	1442113-3		68 -15
1260156-2		161 -24	1400019-89-EB5		4 -32	1442113-8		67 -12A
1260156-3		160 -25	1411202-201		75 -63	1442113-9		67 - 2
1260156-3		161 -25	1411202-201		79 -64	1442113-9		68 - 6
1260156-4		160 -19	1411206-1		75 -37	1442113-9		68 -16
1260156-4		161 -19	1411206-1		76 -18	1442114-1		68 -
1260156-6		160 -23	1411206-1		77 -34	1442114-2		68 -10
1260156-6		161 -23	1411206-1		78 -15	145-01000		71 -29
1260157-1		160 -31	1411206-1		79 -38	1452530-6		164 - 2
1260157-1		161 -31	1411206-1		80 -17	1452533-2		164 -10
1260157-3		160 -33	1411206-7		75 -34	1460320-1		149 - 1
1260157-3		161 -33	1411206-7		76 -15	1460501-21		149 - 4
1260157-4		160 -30	1411206-7		77 -31	1505003-2		3 -61
1260157-4		161 -30	1411206-7		78 -12	1505003-3		3 -60
1260158-1		160 - 2	1411206-7		79 -35	1511206-11		81 -16
1260158-1		161 - 2	1411206-7		80 -14	1511206-20		81 -12
1260158-3		160 - 6	1411207-1		75 -39	1511206-21		81 -17
1260158-3		161 - 6	1411207-1		76 -21	1511206-22		81 -17
1260158-5		160 - 8	1411207-1		77 -36	1511206-4		81 -20
1260158-5		161 - 8	1411207-1		78 -18	1511207-1		81 -18
1260159-1		160 -27	1411207-1		79 -40	1511208-16		81 -24
1260159-1		161 -27	1411207-1		80 -20	1511208-17		81 -25
1260159-1		161A- 2	1411207-2		75 -40	1511209-1		81 -21
1260243-2		154 - 1	1411207-2		76 -20	1511209-12		81 - 5
1260491-1		56 -17	1411207-2		77 -37	1512280-11		164 - 1
1260491-2		56 -18	1411207-2		78 -17	1512280-13		164 - 1
1260538-10		164 -44	1411207-2		79 -41	1512280-24		164 - 6
1260538-7		164 -46	1411207-2		80 -19	1512280-41		164 - 1
1260538-9		164 -45	1414100-212		91 -31	1512280-43		164 - 1
1260611-6		164 - 4	1414100-212		92 -35	1512282-3		164 -14



# 182 & T182 Parts Catalog

PART NUMBER	FICHE AND FRAME	FIGURE AND INDEX NO.	PART NUMBER	FICHE AND FRAME	FIGURE AND INDEX NO.	PART NUMBER	FICHE AND FRAME	FIGURE AND INDEX NO.
1512404-4		83 -16	154-00600		64 - 3	1570394-1		187 -39
1513145-1		152 -33	154-01300		71 - 6	16-2000C		181 -67
1513174-3		100 - 2	154G		89A-12	16-2000C		182 -62
1513174-3		100 -16	154G		89B- 5	16-2000C		183 -55
1513174-3		101 - 2	1542009-2		63 -24	16-8375C		181 -68
1513174-3		101 -14	155-00100		71 - 4	16-8375C		182 -63
1513174-3		102 - 2	155-00200		64 - 1	16-8500C		181 -69
1513174-3		102 -16	1552004-17		123 -14	16-8500C		182 -64
1513174-5		101 - 2	1552004-17		123 -20	1605060-1-E84		4 -39
1513174-5		101 -14	1552004-17		124 -24	1605060-1-E85		4 -39
1513174-5		102 - 2	1552004-17		124 -51	161-03100		64 - 5
1513174-5		102 -16	1552004-22		123 -13	161-04900		71 - 1
1513190-13		100 -42	1552004-22		123 -19	1612030-1		112 -38
1513190-13		101 -41	1552004-25		123 -17	1612030-4		112 -38
1513190-13		101 -43	1552004-25		124 -24	1612053-2		55 -12
1513190-13		101 -55A	1552004-25		124 -52	1613224-2		115 - 1
1513190-36-A59		101 -54	1552010-1		123 -16	162-02800		64 - 6
1513190-36-A59		101 -55	1552010-1		123 -22	162-04700		71 - 2
1513190-36-A59		101A-54	1552010-1		124 -23	1620058-1		12 -23
1513190-36-279		101 -54	1552010-1		124 -50	1620058-2		12 -23
1513190-36-279		101 -55	1556024-3		138 -37	1620058-3		9 -64
1513190-36-279		101A-54	1560024-1		154A- 3	1620075-3		184 -37
1513190-5		100 -51A	1560024-1		154 - 4	1620075-3		185 -52
1513190-5		101 -54	1560024-13		154A- 3	164-04000		71 -11
1513190-5		101 -55	1560024-2		154A- 4	1650044-1		138 -23
1513190-58-A59		101 -41	1560024-2		154 - 5	1650052-5		128 -63
1513190-58-A59		101 -43	1560024-5		154A- 3	1650082-1		128 -63
1513190-58-A59		101 -55A	1560024-9		154B-10	1670019-1		164 - 4B
1513190-58-A59		101A-39	1560025-1		154A- 6	1670032-2		53 -12
1513190-58-A59		101A-41	1560025-2		154 - 7	1670039-10		53 -15
1513190-58-A59		101A-55	1560025-2		154A- 5	1670039-11		53 - 9
1513190-58-A59		102 - 8	1560026-5		154 -22	1670039-12		53 - 8
1513190-58-A59		102 -43	1560027-2		154A- 1	1670056-1		185 -26
1513190-58-A59		102A- 8	1560028-1		154 - 8	1670056-2		111 - 6
1513190-58-A59		102A-41	1560110-1		153 -16A	1670056-2		184 - 7
1513190-58-279		101 -41	1560110-3		152 -10	1670056-3		185 -26A
1513190-58-279		101 -43	1560110-3		153 - 9	168375C		183 -56
1513190-58-279		101 -55A	1560150-1		151 - 5	168500C		183 -57
1513190-58-279		101A-39	1560312-1		151 -11	1700127-1		90 -11
1513190-58-279		101A-41	1560321-10		160 -20	1700127-1		90A-18
1513190-58-279		101A-55	1560321-10		161 -20	1700127-22		90 -17
1513190-58-279		102 - 8	1560321-14		160 -14	1700127-22		90A-11
1513190-58-279		102 -43	1560321-14		161 -14	1700127-23		90 -18
1513190-58-279		102A- 8	1560321-4		160 -21	1700127-23		90A-12
1513190-58-279		102A-41	1560321-4		161 -21	1700127-24		90 -19
1513190-58-279		119A-	1560321-9		160 -22	1700127-24		90A-13
1513460-6		119A- 7	1560321-9		161 -22	1700127-28		90A-20
1513463-1		119A- 6	1570043-15		198 -11	1700127-4		90 -12
1513477-3		119A- 6	1570043-15		199 -10	1700127-4		90A-19
1513477-5		119A-12	1570043-3		184 -22	1700127-7		90 -13
1513478-1		98 - 5	1570043-9		99 -73	1700127-7		90A- 8
1513839-3		98 -15	1570043-9		100 -67	1705042-1		3 -84
1513839-3		99 - 4	1570043-9		184 -32	1706015-2		184 - 1
1513839-3		99 -17	1570102-1		25 -65	1706015-2		185 - 9
1513839-3		107 - 7	1570102-10		5 -21	1713039-1		178 -18
1513839-3		107 -12	1570102-12		23 -37	1713039-1		178 -23
1513839-3		107 -22	1570102-16		5 -21	1713039-1		178 -51
1513839-3		107 -27	1570102-16		18 -35	1713039-1		179 -14
1513839-5		98 -16	1570102- 8		23 -36	1713269-1		155 -28
1513839-5		99 -18	1570166-1		184 -38	1713269-1		156 -40
1513839-5		107 - 6	1570166-1		185 -41	1713269-8		156A-24
1513839-5		107 -21	1570301-1		185 -41	1713269-9		156A-25
1514119-3		93 -62	1570306-1		153 -14	1714000-200		94 -89
1514119-3		94 -70	1570306-1		153 -34	1714000-22		93 -83
1514223-28		91 -46	1570306-1		154 -43	1714000-33		93 -85
1515152-1		152 -30	1570307-1		153 -11	1714000-33		94 -93
1515152-1		154 -48	1570307-2		153 -27	1714061-1		93 -72
1517105-1		170 -83	1570307-3		154 -37	1714061-1		94 -81
1517105-7		171 -98A	1570308-1		153 -25	1714061-5		93 -67
153-00300		71 -10	1570354-1		153 -35	1714067-5		94 -75
153-00400		71 - 7	1570354-1		154 -36	1714074-13		93 -23
153-00800		64 - 2	1570394-1		186 -21	1714074-13		94 -31
153-01500		71 - 5	1570394-1		187 -14	1714074-14		93 -24
154-00300		71 - 8	1570394-1		187 -24	1714074-14		94 -32

# 182 & T182 Parts Catalog

PART NUMBER	FICHE AND FRAME	FIGURE AND INDEX NO.	PART NUMBER	FICHE AND FRAME	FIGURE AND INDEX NO.	PART NUMBER	FICHE AND FRAME	FIGURE AND INDEX NO.
1714074-6		93 -25	2043011-6		63 -56	22-370-20		119C- 3
1714074-6		94 -33	2043023-2		63 -71	22FH632		150 -10
1714100-1	< #	94 -15A	2043038-1		63 -73	2200001-1		171 -26
1714101-13	#	94 -27A	2043038-2		63 -73	2200001-19		176 -6
1714101-14		94 -27A	2043038-3		63 -73	2200001-2		171 -29
1714101-15		91 -50A	2043038-4		63 -73	2200001-23		176 -9
1714101-15		92 -50	2043038-5		63 -73	2200001-23		176A- 9
1714101-16		91 -50A	204864		131 - 8	2200001-24		176 - 8
1714101-16		92 -50	206336		131 - 5	2200001-24		176A- 8
1715047-3		87 - 7	206337		131 -21	2200001-3		171 -44
1715047-3	<	86 - 5	2067011-1		149A-39	2200001-32		128 -29
1715047-4		87 - 7	2070033-2		101 -75	2200001-33		171 - 2
1715047-4	<	86 - 5	2070033-2		101A-72	2200001-34		176 - 5
1715071-1		113 - 6	210031		131 - 9	2200001-35		171 -13
1715071-2		113 - 7	210036		131 - 7	2200001-37		176 -12
1715071-4		113 - 3	210039		131 -23	2200001-37		176A-13
1715074-1	#	113 - 9	2101012-1		119A-14	2200001-37		176A-14
1716008-1		9 -43	210216		131 -40	2200001-38		176 -13
1726048-2		9 -25	210253		131 - 1	2200001-38		176A-15
1726049-1		9 -25	210257		131 -37	2200001-39		176 -11
1741003-3		69 -15	210261		131 -10	2200001-39		176A-12
1741003-3		70 -15	210293		131 -22	2200001-40		176 -10
1741003-4		69 -15	210326		131 -30	2200001-40		176A-10
1741003-4		70 -15	210382		131 -11	2200001-40		176A-11
1741005-200		69 -40	210393		131 -12	2200001-41		128 -32
1741005-200		70 -40	210394		131 -14	2200001-43		128 -42
1741005-201		69 -40	210396		131 - 6	2200001-5		171 -46
1741005-201		70 -40	210398		131 -32	2200001-52		128 - 9
1741005-21		69 -43	210399		131 -18	2200001-57		128 -55
1741005-21		70 -44	2106002-1-A58		110 - 3	2200001-58		102 -53
1741005-22		69 -43	2106002-1-156		109 - 3	2200001-58		102A-51
1741005-22		70 -44	2106002-1-156		109 - 7	2200001-59		102 -53
1741005-251		69 -40	2106002-1-156		110 - 3	2200001-59		102A-51
1741005-251		70 -40	2106002-13-A58		109A- 2	2200001-60		102 -53
1741005-252		69 -40	2106002-13-A58		110A- 2	2200001-60		102A-51
1741005-252		70 -40	2106002-13-E80		109A- 2	2200001-61		128 -27
1741022-1		69 -48	2106002-13-E80		110A- 2	2200001-62		171 -20
1741022-2		69 -48	2106002-13-156		109A- 2	2200001-64		171 -43
1777		57 - 9	2106002-13-156		109A- 2	2200001-66		171 -47
180231		131 -33	2106002-13-156		110A- 2	2200001-70		171 -91
182747		131 -34	2106002-13-156		110A- 2	2200001-72		171 -88
18276-175		140 - 1	2106002-15-A58		109 - 3	2200001-73		176A- 6
183-00100		71 -27	2106002-15-A58		109 - 7	2200001-74		176A-16
186320		131 -36	2106002-15-A58		109A- 6	2200011-71		171 -89
188141		131 -25	2106002-15-A58		110 - 4	2201007-1		183 -69
188302		131 -27	2106002-15-A58		110 - 8	2201010-1		112 -33
188434		131 -24	2106002-15-A58		110A- 6	2201010-2		112 -34
189482		131 -19	2106002-15-A58		109 - 2	2201013-1		51 -65
189574		131 -16	2106002-15-156		109 - 2	2201014-1		51 -65
189739		131 -20	2106002-15-156		109A- 6	2201047-1		145 -25
189744		131 - 3	2106002-15-156		110 - 4	2201056-4		119A-15
191869		131 -28	2106002-15-156		110 - 8	2201058-1		29 -27
192558		131 -38	2106002-15-156		110A- 6	2201059-1		29 -28
192709		131 -31	2106002-5-A58		110 - 2	2201059-3		29 -28
193385		131 -15	2106002-5-156		110 - 2	2201064-2		119 -
196195		131 -13	2106002-9-E80		109A- 6	2201072-1		119A-16
2E1260		119B-25	2106002-9-E80		110A- 6	2201074-4		194 -25
2E1291		119B-29	2106002-9-156		109A- 6	2201074-4		194 -25
2N3055		184 -40	2106002-9-156		110A- 6	2201086-5		105 -17
2N3055		185 -43	2110039-7		128 -40	2201086-5		105A-15
2N6576		185 -43	213200		131 -39	2201086-5		106 -17
2N6577		185 -43	213201		131 -29	2201086-5		106A-15
2OH3P		184 -65	213214		131 - 2	2201086-6		105 -17
2OH3P		185 -39	214-00100		71 - 3	2201086-6		105A-16
200AC-6		150 -13	214-00200		71 - 9	2201086-6		106 -17
200429-13		183 -72	214-00300		64 - 7	2201086-6		106A-16
2005012-3		3 -41	214-00400		64 - 4	2201092-2		119B-32
2005012-4		3 -42	214202		131 -14	2201092-2		119C-30
2013142-1		166 -36	2160003-3		112 -24	2201105-1		145A-26
2013142-13		166 -36	217-00100		64 - 8	2201105-2		145A-26
2014008-5		93 - 7A	218446		131 -35	2201107-1		29 -27
2043003-10		63 -40	218537		131 -26	2201118-1		145A-30
2043004-1		63 -25	218547		131 - 4	2201119-1		145A-28
2043005-18		63 -35	22-370-20		119B- 3	2201124-1		145A-27

# 182 & T182 Parts Catalog

PART NUMBER	FICHE AND FRAME	FIGURE AND INDEX NO.	PART NUMBER	FICHE AND FRAME	FIGURE AND INDEX NO.	PART NUMBER	FICHE AND FRAME	FIGURE AND INDEX NO.
2201124-2		145A-27	2213042-5		105 -42	2213071-9		101 - 1
2201128-1		101A-74	2213042-7		105 -42	2213072-10		102A-17
2201128-1		102A-85	2213042-7		106 -40	2213072-6		102 -19
2201136-1		154A- 7	2213042-9		105 -42	2213072-8		102 -19
2205003-1		4 -37	2213042-9		106 -40	2213073-1		101 -13
22110031-1		183 -10	2213043-2		105 -22	2213073-25	^	101 -13
2211005-1		41 -72	2213043-2		105A-22	2213073-45	^	109 - 1
2211005-2		41 -72	2213043-2		106 -22	2213073-5		109 - 1
2211008-2		51 -12	2213043-2		106A-21	2213073-55-A59		101 -13
2211025-1		48 - 2	2213044-1		105 - 5	2213073-55-A59		102 -15
2211063-1		41 -52	2213044-10		104 - 8	2213073-55-279		101 -13
2211075-1		49 - 2	2213044-10		105 - 8	2213073-55-279		102 -15
2211075-2		48 - 3	2213044-10		105A- 7	2213073-59-A59		110 - 1
2211075-2		49 - 3	2213044-10		106 - 8	2213073-59-279		110 - 1
2211076-1		41 -50	2213044-10		106A- 7	2213073-69-A59		109 - 1
2211076-1		48 - 5	2213044-11		104 - 5	2213073-69-279		109 - 1
2211076-1		49 - 5	2213044-11		105 - 5	2213074-1		30 -35
2211076-2		41 -51	2213044-11		106 - 5	2213074-2		30 -36
2211076-2		48 - 6	2213044-15		105A- 5	2213075-1		30 -16
2211076-2		49 - 6	2213044-15		106A- 5	2213078-5		30 -63
2211078-1		51 -81	2213044-2		105 - 8	2213079-1		28 -29
2211078-2		51 -81	2213044-5		105 - 5	2213079-1		29 - 8
2211079-1		40 -55	2213044-8		105 - 8	2213079-2		28 -29
2211079-1		83 -24A	2213046-1		30 -47	2213079-2		29 - 8
2212000-12		51 -49	2213049-1		30 -19	2213080-1		28 -28
2212000-2		51 -49	2213049-2		30 -19	2213080-1		29 - 7
2212006-1		51 -17	2213063-1		28 -10	2213080-2		28 -28
2212010-1		51 -84	2213063-1		30 -24	2213080-2		29 - 7
2212010-2		51 -84	2213063-2		28 -10	2213081-1		32 -22
2212017-1		51 -82	2213063-2		30 -25	2213081-1		47 - 6
2212017-2		51 -83	2213064-1		34A-16	2213081-2		32 -23
2212018-1		51 -85	2213066-5		30 -57	2213081-2		47 - 6
2212018-2		51 -86	2213066-6		30 -57	2213082-1		32 -20
2212023-1		51 -90	2213067-1		30 -55	2213082-1		47 - 7
2212024-1		51 -88	2213067-2		30 -56	2213082-2		32 -21
2212025-1		51 -44	2213069-1		142 -15	2213082-2		47 - 7
2212026-1		51 -45	2213070-1		142 -17	2213083-10		32 -13
2213000-12		29 -25	2213071-1		101 - 1	2213083-16		32 -
2213000-2		30 -44	2213071-13		109 - 6	2213083-17		32 -13
2213000-2		29 -24	2213071-17	^	109 - 6	2213083-18		32 -13
2213000-5		29 -25	2213071-19	^	101 - 1	2213083-2		32 -
2213000-6		30 -53	2213071-21-A59	^	109 - 6	2213083-20		32 -
2213001-3		30 -54	2213071-21-A59		110 - 7	2213083-3		32 -13
2213001-4		30 -58	2213071-21-279		109 - 6	2213083-4		32 -13
2213004-3		30 -58	2213071-21-279		110 - 7	2213083-5		32 -14
2213004-4		30 -58	2213071-21-279		101 - 1	2213083-6		32 -15
2213007-3		30 -68	2213071-23-A59		102 - 1	2213083-7		32 -16
2213008-4		30 -60	2213071-23-A59		101 - 1	2213083-7		32 -16
2213010-1		30 -64	2213071-23-279		101 - 1	2213083-8		32 -17
2213010-2		30 -65	2213071-23-279		102 - 1	2213083-9		32 -13
2213010-5		30 -65	2213071-25-A59		109 - 6	2213084-1		32 -18
2213010-6		30 -65	2213071-25-A59		110 - 7	2213084-2		32 -19
2213012-1		30 -69	2213071-25-279		109 - 6	2213085-1		32 -35
2213012-2		30 -59	2213071-25-279		110 - 7	2213085-2		32 -35
2213013-1		30 -66	2213071-27-A59		101 - 1	2213086-1		142 -19
2213020-12		34 -20	2213071-27-A59		102 - 1	2213087-1		142 -21
2213020-14		34A-23	2213071-27-279		101 - 1	2213088-1		30 -70
2213021-1		156 - 9	2213071-27-279		102 - 1	2213088-2		30 -70
2213021-2		156 -12	2213071-29-A59		109A- 5	2213089-1		30 -71
2213021-3		156 -13	2213071-29-A59		110A- 5	2213089-2		30 -71
2213023-1		156 -20	2213071-29-279		109A- 5	2213090-1		29 -46
2213024-1		30 -67	2213071-29-279		110A- 5	2213092-1-A59		102 -77
2213025-1		30 -67	2213071-31-A59		101A- 1	2213092-1-279		102 -77
2213030-1		30 -28	2213071-31-A59		102A- 1	2213100-1		30 -16
2213030-2		30 -29	2213071-31-279		101A- 1	2213101-1		30 -99B
2213032-1		30 -30	2213071-31-279		102A- 1	2213102-2		34A-17
2213032-2		30 -31	2213071-34-E83		109A- 5	2213102-4		34A-18A
2213034-1		30 -26	2213071-34-E83		110A- 5	2213108-1		34A- 8
2213036-5		106 -33	2213071-34-279		109A- 5	2213109-1		34A-11
2213036-7		106A-37	2213071-34-279		110A- 5	2213110-1		156A- 7
2213039-10		102A-11	2213071-36-E83		101A- 1	2213114-1		28 -27A
2213039-5		102 -13	2213071-36-E83		102A- 1	2213114-1		29 -54
2213040-1		30 -15	2213071-36-279		101A- 1	2213116-2-279		195B- 1
2213040-2		30 -15	2213071-36-279		102A- 1	2213117-2		195B- 9
2213042-1		105 -42	2213071-5		109 - 6	2213119-1		195B- 5

# 182 & T182 Parts Catalog

PART NUMBER	FICHE AND FRAME	FIGURE AND INDEX NO.	PART NUMBER	FICHE AND FRAME	FIGURE AND INDEX NO.	PART NUMBER	FICHE AND FRAME	FIGURE AND INDEX NO.
2213121-1		30 -16	2215003-9		85A- 4	2215052-2		85A-23
2213124-1		105A-43	2215003-9		85A- 9	2216006-1		171 -81
2213124-1		106A-42	2215004-1		89A- 1	2216008-1		33 -18A
2213124-3		105A-43	2215004-12		89A-10	2216008-1		34A-18
2213124-3		106A-42	2215004-16		89B- 1	2216009-1		170 -78
2213126-1-A59		101A-13	2215004-2		89A- 3	2216009-2		171 -95
2213126-1-A59		102A-13	2215004-3		89A- 4	2220000-1		11 -10C
2213126-1-279		101A-13	2215010-18	#	86 - 1	2220000-2		145A-16
2213126-1-279		102A-13	2215010-3	#	86 - 1	2220001-1		11 -10A
2213126-10-E83		101A-13	2215010-37	#	88 - 1	2220002-1		11 -10B
2213126-10-E83		102A-13	2215010-38	#	88 - 2	2222001-1		6 -39
2213126-10-279		101A-13	2215010-39	#	88 -18	2232000-1		24 -15
2213126-10-279		102A-13	2215010-4	#	86 - 1	224-39970-890		82 - 2
2213126-12-E83		109A- 1	2215010-40	#	88 -19	2243001-201		63 - 1
2213126-12-E83		110A- 1	2215010-41	#	88 -18	2243001-204		63 -
2213126-12-279		109A- 1	2215010-42	#	88 -19	2243002-2		63 -49
2213126-12-279		110A- 1	2215012-3	#	85 -23	2243003-7		63 -45
2213126-3-A59		109A- 1	2215012-7	#	85 -21	2243009-1		30 -17
2213126-3-A59		110A- 1	2215022-1	#	89 - 2	2243009-4		30 -17
2213126-3-279		109A- 1	2215022-10	#	89 -25	2243010-1		63 -14
2213126-3-279		110A- 1	2215022-11	#	89 -22	2243015-1		63 -36
2213126-5-A59		101A-13	2215022-12	#	89 -24	2243017-1		63 -14A
2213126-5-A59		102A-13	2215022-2	#	89 - 4	2243018-1		63 -19
2213126-5-E83		101A-13	2215022-3	#	89 - 1	2243021-1		63 -53
2213126-5-E83		102A-13	2215022-4	#	89 - 3	2243028-1		63 -36
2213126-5-279		101A-13	2215022-5	#	87 - 2	2250005-1		174 -21
2213126-5-279		102A-13	2215022-6	#	87 - 2	2250006-1		174 -20
2213126-7-A59		109A- 1	2215022-61	#	89 - 2	2250018-1		139 -16
2213126-7-A59		110A- 1	2215022-63	#	89 - 1	2250021-2		127 -27
2213126-7-E83		109A- 1	2215022-64	#	87 - 1	2250021-2		128 -15
2213126-7-E83		110A- 1	2215022-65	#	87 - 1	2250023-1		37 -11
2213126-7-279		109A- 1	2215022-66	#	87 - 1	2250023-1		138 -61
2213126-7-279		110A- 1	2215022-67	#	89 - 1	2250026-1		128 -34
2213127-1		105A-31	2215022-9	#	89 -23	2250034-2		138 -56
2213127-1		106A-30	2215026-1	#	87 - 3	2250035-1		137 - 8
2213128-1		180A-41	2215026-2	#	87 - 3	2250039-1		137 -13
2213131-1-A59		102A-74	2215027-1	#	89 -26	2250043-1		138 -62
2213131-1-279		102A-74	2215027-2	#	89 -27	2250052-1		138 -47
2213133-1		34A-18B	2215028-14	#	89 - 6	2250053-2		139 -22
2213133-2		33 -18D	2215028-3	#	89 - 6	2250061-1		128 -53
2214012-2		96 -33	2215028-4	#	89 - 7	2250069-1		139 - 1
2214012-2		96A-35	2215029-1	#	87 - 4	2250072-1		139 - 2
2214015-1		96 -32	2215029-2	#	87 - 4	2250077-1		138 -49
2214015-1		96A-34	2215029-3	#	89 -28	2250080-2		137 -12
2214016-1		44 -47A	2215031-4	#	76 -62	2250083-7		140 - 5
2214016-2		96A-59	2215031-4	#	78 -44	2250092-1		137 - 7
2215001-2		90A- 2	2215031-4	#	80 -59	2250097-1		137 - 1
2215001-5		90A- 1	2215032-1	#	76 -60	2250100-1		139 - 3
2215003-1		85A- 1	2215032-1	#	78 -42	2250102-4		138 -21
2215003-10		85A- 5	2215032-1	#	80 -57	2250111-2		139 -13
2215003-10		85A-10	2215033-5	#	76 -61	2250115-1		140 -17
2215003-10		85A-15	2215033-6	#	78 -43	2250116-1		140 - 6
2215003-10		85A-21	2215033-6	#	80 -58	2250117-1		128 -38
2215003-11		85A-17	2215035-1	#	29 -29	2250118-1		128 - 6
2215003-12		85A-12	2215035-4	#	28 -81	2250119-1		140 -26
2215003-15		85A-16	2215035-4	#	29 -30	2250121-1		121A- 8
2215003-15		85A-22	2215035-6	#	29 -29	2250121-4		121A-15
2215003-16		85A-13	2215037-12	#	89 -58	2250121-4		122 -14
2215003-16		85A-19	2215037-16-532	#	89 -59	2250121-5		121A-13
2215003-17		85A-14	2215037-6-532	#	89 -59	2250123-1		121A- 7
2215003-17		85A-20	2215037-8	#	89 -58	2250123-3		121A- 7
2215003-18		85A- 1	2215040-2	#	85A-23	2250128-1		128 -18
2215003-19		85A-17	2215043-3	#	84 -39	2250129-1		139 -26
2215003-2		85A- 7	2215043-3	#	85 -35	2250131-1		138 -60A
2215003-22		85A- 2	2215044-1	#	48 -10	2250132-1		128 -62
2215003-22		85A-18	2215044-1	#	49 -11	2250133-1		128 -17
2215003-23		85A- 3	2215044-2	#	48 -11	2250134-1		138 - 7
2215003-24		85A-19	2215044-2	#	49 -12	2250135-1		138 - 9
2215003-5		85A- 6	2215046-3	#	85 -34	2250136-1		138 -12
2215003-5		85A-11	2215046-4	#	85 -34	2250137-1		138 - 8
2215003-6		85A- 2	2215049-1	#	102 -84	2250138-1		30 -98A
2215003-6		85A-18	2215049-1	#	102A-81	2250141-1		139 -11
2215003-8		85A- 3	2215049-1	#	192 -19	2250142-1		139 -14
2215003-8		85A- 8	2215052-1	#	85A-24	2250144-1		139 - 8

# 182 & T182 Parts Catalog

PART NUMBER	FICHE AND FRAME	FIGURE AND INDEX NO.	PART NUMBER	FICHE AND FRAME	FIGURE AND INDEX NO.	PART NUMBER	FICHE AND FRAME	FIGURE AND INDEX NO.
2250145-1		139 -35	2253021-1		37 -20	2260118-1		156 -24
2250145-2		139 -35	2253021-3		37 -20	2260120-1		34 -18
2250146-1		139 -36	2253029-1		37 -31	2260120-1		34A-21
2250146-2		139 -36	2253031-1		140 -	2260122-1		149 -30
2250147-1		138 -60	2253031-2		140 -	2260122-1		149A-35
2250149-1		139 -10	2253032-1		147 - 8	2260125-3		140 -30
2250151-1		128 -57	2253033-1		37 -14	2260125-7		145A-20
2250152-1		138 -47A	2254005-1		134 - 2	2270008-2		102 -81
2250153-1		140 - 5A	2254005-3		134 -10	2270008-2		102A-78
2250165-1		176A- 3	2254005-5		134 -11	2270014-2		102 -84
2250165-3		176A- 3	2254008-4		134 - 3	2270014-2		102A-81
2251000-18		128 - 3	2254008-7		134 - 3	2270018-1		199 -12
2252010-13		30 -80	2254009-1		140 - 3	2270020-1		102 -76
2252010-14		30 -94	2254010-1		138 -19	2270020-1		102A-73
2252010-15		30 -90	2254011-1		134 - 4	2270020-2		102 -76
2252010-16		30 -94A	2254012-1		134 - 1	2270020-4		102 -76
2252013-1		29 -42	2254012-3		134 - 1	2270020-4		102A-73
2252013-2		29 -42	2254013-1		134 -16	2270020-5		102 -76
2252019-34		30 -93A	2254013-3		134 -16	2270020-6		102A-73
2252023-3		124 -37	2254014-1		134 -18	2270020-7		102A-73
2252023-5		124 -36	2254015-1		134 - 5	2270020-8		102A-73
2252024-1		124 -40	2254016-16		134 - 7	2270021-1		51 -57
2252024-3		124 -41	2254016-17		134 - 6	2270023-1		192 -17
2252025-1		124 -45	2254018-9		137 -17	2270023-1		194 -23
2252025-3		124 -46	2254027-1		140 -21	2270024-1		192 -16
2252027-1		124 -38	225500-3		124 -15	2270024-1		194 -22
2252027-3		124 -39	2255002-1		136 -31	2270026-1		192 -15
2252027-4		124 -39	2255003-3		136 -17	2270026-1		194 -19
2252028-1		124 -42	2255003-4		136 -73	2270026-2		194 -20
2252028-2		124 -43	2255004-1		136 -21	2270030-5		154A-27
2252028-5		124 -44	2255005-1		136 -35	2270033-1		199 -18
2252029-2		199 - 5	2255006-1		136 -24	2270034-1		161A- 5
2252029-4		199 - 1	2255020-1		136 -48	2270035-1		161A- 4
2252038-1		124 -33	2255020-2		136 -49	2270036-1		154A-37
2252039-1		124 -25	2255023-1		136 -51	2270037-1		28 -47
2252039-7		124 -26	2255025-1		136 -47	2270037-1		29 -39
2252042-14		124 -18	2255025-2		136 -47	2270042-1-A59		102A-75
2252042-15		124 -27	2255029-5		136 - 5	2270042-1-279		102A-75
2252042-16		124 -28	2255029-7		136 - 5A	2270042-1-532		102A-75
2252044-1		30 -90	2255030-3		136 -53	2270043-2		105A-38
2252044-2		30 -95	2255033-1		136 -45	2270045-1		119B- 2
2252050-19		30 -91B	2255037-2		136 -40	2270045-1		119C- 2
2252050-20		30 -91B	2255040-7		136 - 1	24RB		154 -17
2252051-10		197 - 2	2255043-1		174 -29	24RB		154A-16
2252051-9		197 - 1	2255044-1		136 -11	24096-175N		140 - 2
2252054-4		30 -95A	2255044-5		136 -11A	2414014-3		96 -35
2252056-1		30 -76	2255046-1		136 -14	2414014-3		96A-37
2252057-5		30 -89	2255079-1		136 -68	2414014-4		96 -34
2252057-9		30 -88	2255080-3		136 -70	2414014-4		96A-36
2252058-1		29 -44	2255083-2		136 -71	244-16		30 -77
2252058-2		29 -44	2255090-2		136 -66	244-16		37 -32
2252059-13		30 -81	2255092-3		136 -64	2443005-1		63 -25
2252059-14		30 -96	2255100-1		124 -14	2451002-3		127 -11
2252068-3		124 - 6	2255101-1		124 -16	2451002-4		127 -12
2252068-9		124 - 1	2255101-3		124 -17	2451003-1		127 -10
2252069-1		124 -47	2255102-1		124 -13	24540-200		134 - 4
2252069-3		124 -47	2255102-3		124 -13	24540-300		134 -17
2252070-1		30 -79	2255104-1		136 -52	2514044-2		92 -39
2252071-1		124 - 5	2255108-1		136 -58	255-10-30-190		152 -11
2252073-1		122 - 6A	2255109-1		136 -15	2600SW2		123 -11
2252073-2		122 -10	2255111-1		136 -62	2600SW2		123 -37
2252073-3		122 -12	2255116-1		124 -10	2646-00029		101 -49
2252074-1		122 -16	2255116-3		124 -11	2646-00029		177 - 1
2252074-3		122 -16	2255116-4		124 -11	2646-00039		102 -51
2253000-3		37 -	2255117-1		136 -10A	2646-00051		101 -49
2253004-3		37 - 4	2260010-1		61 - 8A	2646-00051		101A-48
2253008-1		37 -14	2260106-1		56 -24	2646-00054		102 -51
2253009-1		37 -20	2260108-1		61 - 1	2646-00054		102A-49
2253009-2		37 -20	2260108-12		61 - 1	270HM1/2W		98 -69
2253011-2		37 -12	2260108-13		61 - 1A	27S3-2		123 -11
2253011-5		37 -10	2260109-1		61 -10	27S3-2		123 -36
2253011-8		37 -12	2260110-2		61 - 9	27S3-3		123 -37
2253012-1		37 - 2	2260112-1		61 -14	295055		16 - 6
2253012-2		37 - 3	2260113-1		61 -16	3/32X.375TYPE3		162 -18

# 182 & T182 Parts Catalog

PART NUMBER	FICHE AND FRAME	FIGURE AND INDEX NO.	PART NUMBER	FICHE AND FRAME	FIGURE AND INDEX NO.	PART NUMBER	FICHE AND FRAME	FIGURE AND INDEX NO.
3/32X.500TYPE3		162 -21	4591		197 -13	626342		129 - 9
3/32X.625TYPE3		162 -11	4708		9 -16	627392		129 - 5
3E1271-2		119B-18	4708		16 -34	629076		129 - 3
3E1584		119B-11	487-3		9 -88	629176		129 -17
3E1899-1		119B-30	487-4		9 -89	631095		129 - 6
3E2071		119B- 5	49330		29 -52	632062-29AJ		126 -57
314-1431-006-500		185 -45	4969		9 -89	632884		138 - 6
32442		119B-22	4970		9 -88	633311		129 - 4
34002-55		184 -35	5E1857-1		119B-17	634592		129 -17
3421-0000		153 -36	5037-1		169 -24	637847		129 -17
3421-0000		154 -47	5144		9 -17	639171		126 -56
3428-1002		154 -44	5144		16 -35	639171		129 - 7
3473-3000		154 -33	5147		9 -17	640703		177 -30
3491-1002		154 -32	5147		16 -35	641139		129 -20
351-11-03-001		154B- 2	51640-0010		101A-37	641860		129 -20
351-11-03-001		154B- 5	51640-0010		102A-35	642306		129 - 1
351-11-05-001		152 -12	53		186 -22	643228		129 - 4
35985		129 -21	53		195 - 4	6436636		177 -15
3680C		58 -33	53		195 - 8	6436638		177 -16
3690-1/2		1 -46	534750		129 - 2	6436916		177 -18
3690-1/4		1 -46	538076		129 -16	6436989		177 -19
3690-1/8		1 -46	539911		126 - 7	643935		192 -11
3831291		87 - 9A	55-008B		101 -75	64881-00		181 -57
3859A-161-152A		153 -20	55-0088		101A-72	64881-00		182 -55
3859A-282-251A		152 -19	550		1 -13	64881-00		183 -86
3859A161-152A		154 -14	5579983		177 -17	700		1 -11
3859A161-152A		154A-13	565-740-074		102 -67	7205P4		154A-18
4E1594		119B- 8	565-740-074		102A-64	72053		130 -15
4E2200-3		119B-28	576.1		1 - 5	73383		193 -11
40S5-4		123 -26	579.6		1 - 6	74323		193 - 7
4002-H		123 -26	582384-9		152 -25	7537		154A-19
4004		185 -45	6-32X.875		119B-23	76906		193 -10
401627		98 -50	600-015-10-0.5		67 -16	76906		194 - 6
401627		99 -52	600-015-10-100S		68 - 9	77-07-108-13		106 -21
40760-0104		101A-36	602EN67-6B		63 -70	77-07-108-13		106 -24
40760-0104		102 -38	60232-1		98 -61	77-07-108-13		106 -50
40760-0104		102A-36	60232-1		99 -63	811542		98 -50
40760-0104		178 - 3	60232-1		100 -57	811542		99 -52
40760-0104		179 - 3	60232-1		102 -60	811542		100 -47
40760-0114		101A-36	6241B		58 -33	811542		101 -49
40760-0114		102 -38	6241B		59 -22	811542		101A-48
40760-0114		102A-36	6241M		58 -33	829525-6		101 -49
40760-0114		178 - 3	6241M		69 -71	829525-6		101A-48
40760-0114		179 - 3	6241M		70 -76	8409		154B-12
4155-308		186 -21	6246-00109		101 -46	8601-1		113 - 1
4165-308		195 - 5	6246-00109		101A-45	90DCA-8		121 -45
4165-447		195A- 3	6246-00109		102 -48	91-8000AC		181 -66
4165-447		195A- 5	6246-00109		102A-46	91-8000AC		182 -62
4189		9 -17	6246-00145		101 -48	91-8000AC		183 -54
4189		16 -35	6246-00147		101 -47	94		188 -22
4197		9 -15	6246-00177		101 -45	97NNTB-048		183 -55
4197		16 -33	6246-00215		102 -50	97NNTB-048		182 -62
4199		9 -17	6246-00215		102A-48	97NTE-048		181 -67
4199		16 -35	6246-00223		101 -48	9851063-3		172 - 1
42320-0028		101 -29	6246-00223		101A-47	9851064-1		172 -11
42540-3114		167 - 3	6246-00224		101 -47	9851066-2		172 -14
42540-3128		167 - 3	6246-00224		101A-46	9851066-2		172A-16
42540-3214		167 - 3	6246-00225		102 -49	9851067-4		172 -
42540-3228		167 - 3	6246-00225		102A-47	9851067-5		172 -
440437		98 -46	6246-00227		101 -45	9851068-1		172 - 2
441344		98 -45	6246-00227		101A-44	9851068-2		172 - 2
442785		98 -48	6246-00227		102 -47	9851094-1		172A- 2
44430-3257		161A- 1	6246-00227		102A-45	9851094-2		172A- 2
44575-2201		161A- 1	6246-00273		102 -50	9851095-1		172A- 1
44690-0000		101A-36	6246-00274		102 -49	9851096-1		172A-
44690-0000		102A-36	625017		129 -11	9851096-2		172A-
44690-2000		101A-36	625303		129 -12	9851096-3		172A-
44690-2000		102 -38	625765		129 - 1	9851096-5		172A-
44690-2000		102A-36	625966		126 -56	9851097-1		172A-11
44690-2000		179 - 3	626332		126 -54	9860058-3		141 - 1
44760-0000		101A-36	626332		129 - 8	9860058-4		141 - 2
44760-0000		102A-36	626341		126 -55	9860065-1		76 -71
4509		196 - 6	626341		129 -10	9860065-1		78 -54
4591		196 - 6	626342		126 -55	9860065-1		80 -68

# 182 & T182 Parts Catalog

PART NUMBER	FICHE AND FRAME	FIGURE AND INDEX NO.	PART NUMBER	FICHE AND FRAME	FIGURE AND INDEX NO.	PART NUMBER	FICHE AND FRAME	FIGURE AND INDEX NO.
9860075-3		142 - 6						
9860075-4		142 - 7						
9862010-1		100 -59						
9862010-1		101 -60						
9862010-1		101A-60						
9862010-1		102 -64						
9862010-1		102A-61						
9862056-3		100 -60						
9862056-3		101 -61						
9862067-10		102 -65						
9862067-10		102A-62						
9862067-3		101 -61						
9862067-3		101A-61						
9863050-11		99 -67						
9863053-5		100 -61						
9863053-5		101 -62						
9863055-9		101 -62						
9863055-9		101A-62						
9863056-7		102 -66						
9863056-7		102A-63						
9880513-1		172A-19						
9880514-1		180C- 6						
9881015-1		180C-13						
9881015-2		180C-13						
9881600-3		150 -17						
9882010-1		150 -15						
9882010-4	e	150 -15						
9882011-1		150 -16						
9882012-1		150 -20						
9882012-5		150 -20						
9882013-1		150 -21						